

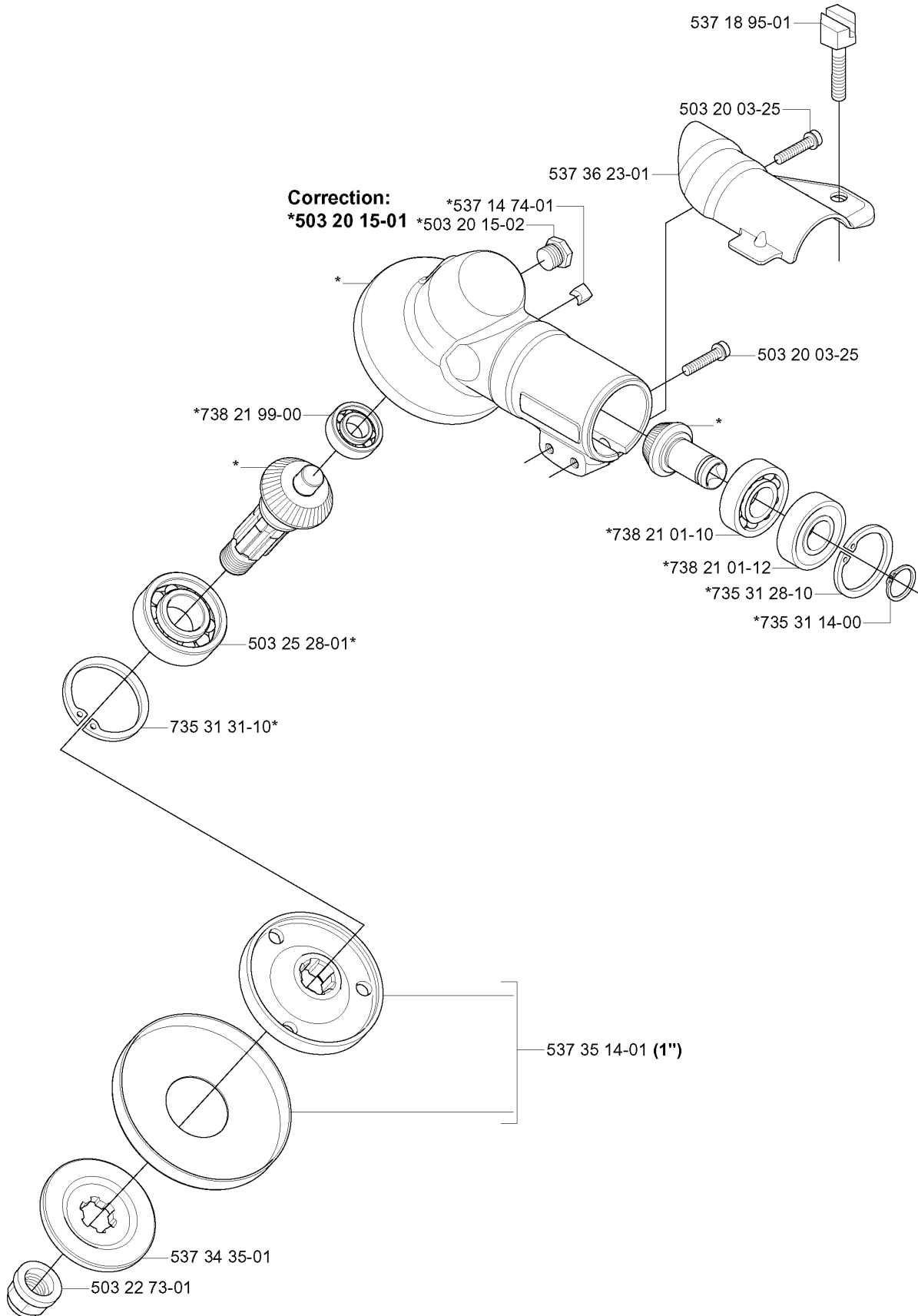


# SPARE PARTS LIST

BRUSHCUTTERS/CLEARING SAWS

335 R X-SERIES, from  
20181800001-current

**A** \*compl 537 29 58-01



## BEVEL GEAR

335 R X-SERIES, from 20181800001-current

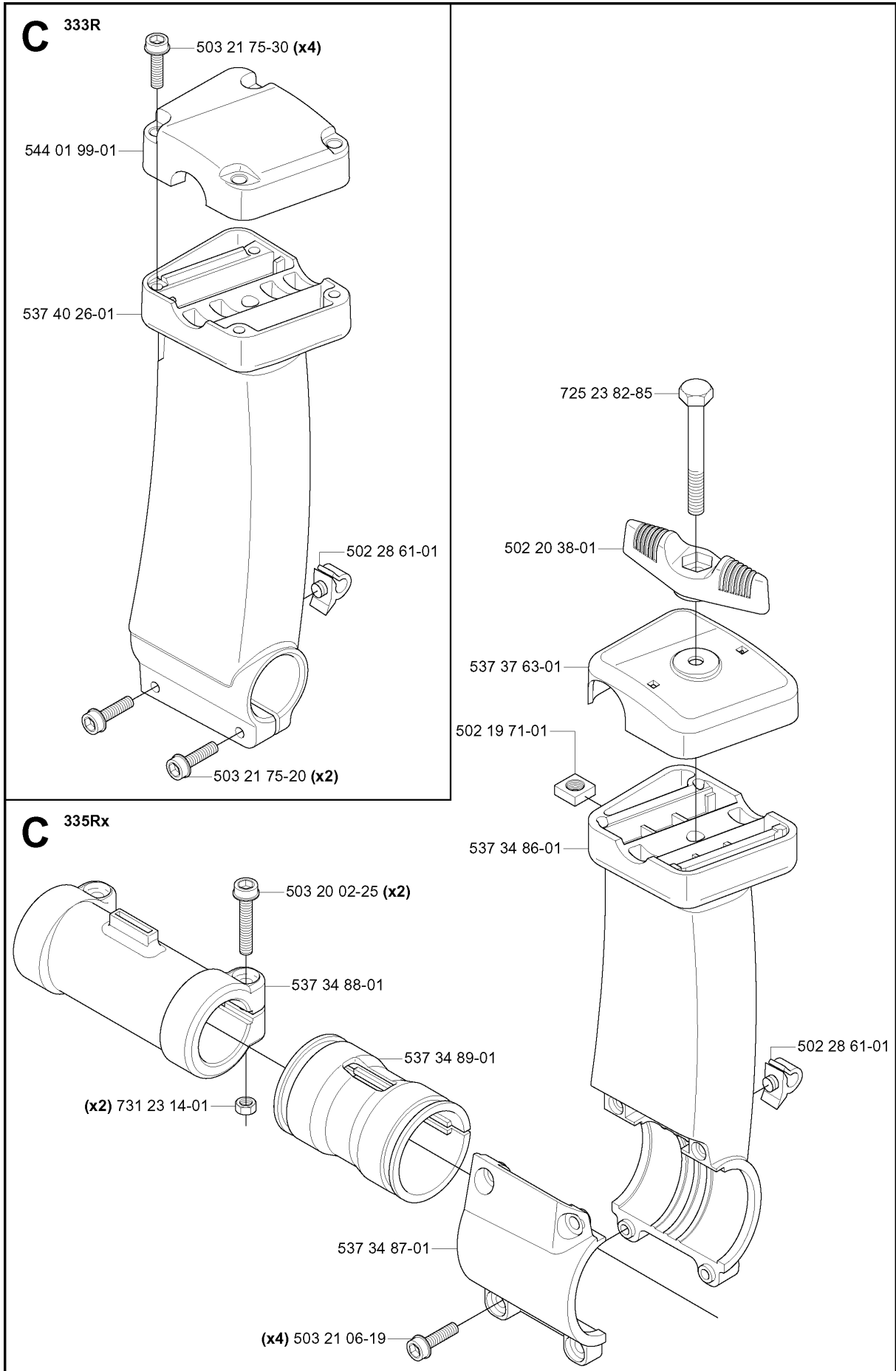
| Part No      | Description    | Remark | QTY KIT |
|--------------|----------------|--------|---------|
| 503 20 03-25 | SCREW IHSCFM   |        | 1       |
| 503 20 03-25 | SCREW IHSCFM   |        | 1       |
| 503 20 15-01 | SCREW          |        | 1       |
| 503 22 73-01 | NUT            |        | 1       |
| 503 25 28-01 | BALL BEARING   |        | 1       |
| 537 14 74-01 | MAGNET         |        | 1       |
| 537 18 95-01 | SCREW          |        | 1       |
| 537 29 58-01 | BEVEL GEAR     |        | 1       |
| 537 34 35-01 | SUPPORT FLANGE |        | 1       |
| 537 35 14-01 | DRIVER         | 1      | 1       |
| 537 36 23-01 | BRACKET        |        | 1       |
| 735 31 14-00 | CIRCLIP        |        | 1       |
| 735 31 28-10 | CIRCLIP        |        | 1       |
| 735 31 31-10 | CIRCLIP        |        | 1       |
| 738 21 01-10 | BALL BEARING   |        | 1       |
| 738 21 01-12 | BALL BEARING   |        | 1       |
| 738 21 99-00 | BALL BEARING   |        | 1       |



## SHAFT

335 R X-SERIES, from 20181800001-current

| Part No      | Description  | Remark | QTY KIT |
|--------------|--------------|--------|---------|
| 503 21 75-16 | SCREW IHSCFT |        | 1       |
| 537 13 04-02 | KNOB         |        | 1       |
| 537 21 41-01 | TUBE         |        | 1       |
| 537 21 42-01 | TUBE         |        | 1       |
| 537 29 48-01 | LABEL        |        | 1       |
| 537 31 39-01 | GUIDE        |        | 1       |
| 537 34 97-01 | LOOP         |        | 1       |
| 537 34 98-01 | LOOP         |        | 1       |
| 537 35 01-01 | LOOP         |        | 1       |
| 537 35 52-01 | DRIVE SHAFT  |        | 1       |
| 537 36 02-01 | SPACER       |        | 1       |
| 537 36 02-02 | SPACER       |        | 1       |
| 537 37 61-01 | WIRING       |        | 1       |
| 725 23 31-51 | SCREW        |        | 1       |

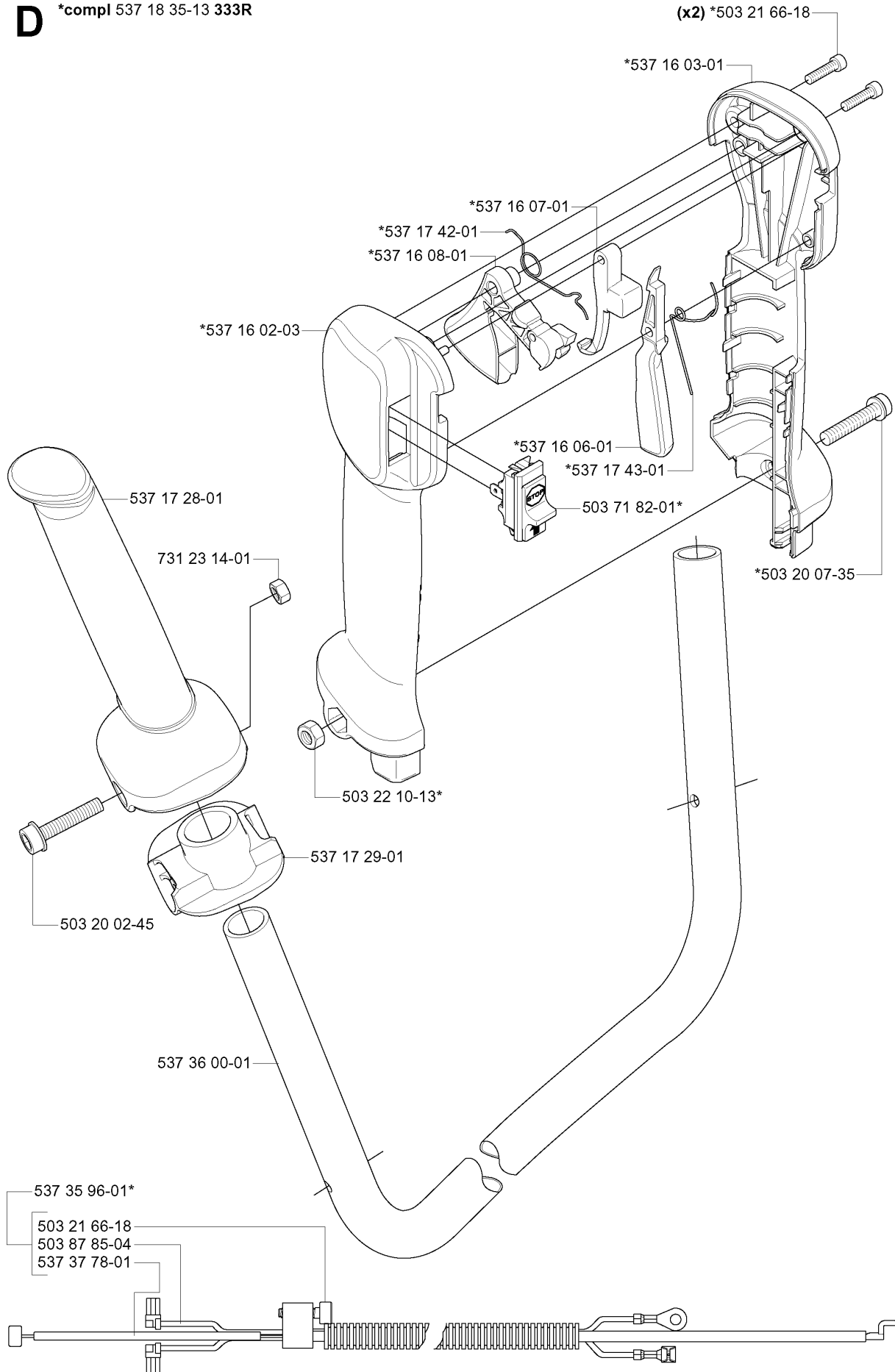


## TOWER

335 R X-SERIES, from 20181800001-current

| Part No      | Description           | Remark | QTY KIT |
|--------------|-----------------------|--------|---------|
| 502 19 71-01 | SQUARE NUT            |        | 1       |
| 502 20 38-01 | KNOB                  |        | 1       |
| 502 28 61-01 | CLIP                  |        | 1       |
| 502 28 61-01 | CLIP                  |        | 1       |
| 503 20 02-25 | SCREW IHSCFM          |        | 2       |
| 503 21 06-19 | SCREW IHSCFT          |        | 4       |
| 503 21 75-20 | SCREW IHSCFT          |        | 2       |
| 503 21 75-30 | SCREW IHSCFT          |        | 4       |
| 537 34 86-01 | BRACKET               |        | 1       |
| 537 34 87-01 | HUB CAP               |        | 1       |
| 537 34 88-01 | COMPRESSION SLEEVE    |        | 1       |
| 537 34 89-01 | ANTIVIBRATION ELEMENT |        | 1       |
| 537 37 63-01 | COVER                 |        | 1       |
| 537 40 26-01 | BRACKET               |        | 1       |
| 544 01 99-01 | HANDLEBAR BRACKET     |        | 1       |
| 725 23 82-85 | SCREW EHHM            |        | 1       |
| 731 23 14-01 | HEXAGON NUT           |        | 2       |

**D** \*compl 537 18 35-13 333R



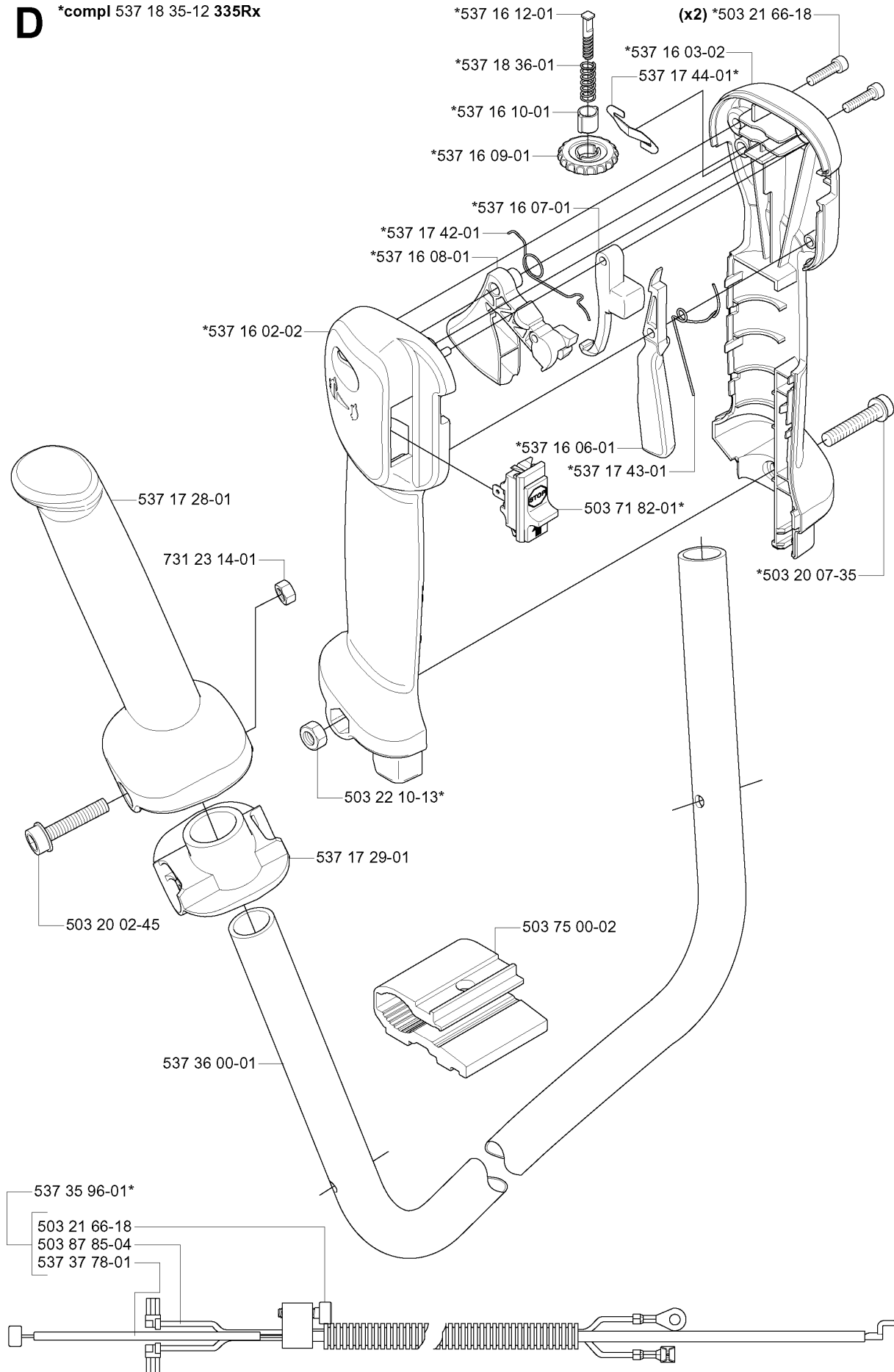


## HANDLE &amp; CONTROLS

335 R X-SERIES, from 20181800001-current

| Part No      | Description          | Remark | QTY KIT |
|--------------|----------------------|--------|---------|
| 503 20 02-45 | SCREW IHSCFM         |        | 1       |
| 503 20 07-35 | SCREW IHSCFM         |        | 1       |
| 503 21 66-18 | SCREW IHSCF          |        | 1       |
| 503 21 66-18 | SCREW IHSCF          |        | 2       |
| 503 22 10-13 | HEXAGON NUT          |        | 1       |
| 503 71 82-01 | SWITCH               |        | 1       |
| 503 87 85-04 | SHORT CIRCUIT CABLE  |        | 1       |
| 537 16 02-03 | HANDLE HALF          |        | 1       |
| 537 16 03-01 | HANDLE HALF          |        | 1       |
| 537 16 06-01 | THROTTLE LOCKOUT     |        | 1       |
| 537 16 07-01 | THROTTLE LOCKOUT     |        | 1       |
| 537 16 08-01 | THROTTLE TRIGGER     |        | 1       |
| 537 17 28-01 | HANDLE               |        | 1       |
| 537 17 29-01 | COVER                |        | 1       |
| 537 17 42-01 | SPRING THROTTLE TRIG |        | 1       |
| 537 17 43-01 | SPRING               |        | 1       |
| 537 18 35-13 | HANDLE SYSTEM        | 333R   | 1       |
| 537 35 96-01 | WIRING ASSY          |        | 1       |
| 537 36 00-01 | HANDLEBAR            |        | 1       |
| 537 37 78-01 | THROTTLE CABLE ASSY  |        | 1       |
| 731 23 14-01 | HEXAGON NUT          |        | 1       |

**D** \*compl 537 18 35-12 335Rx

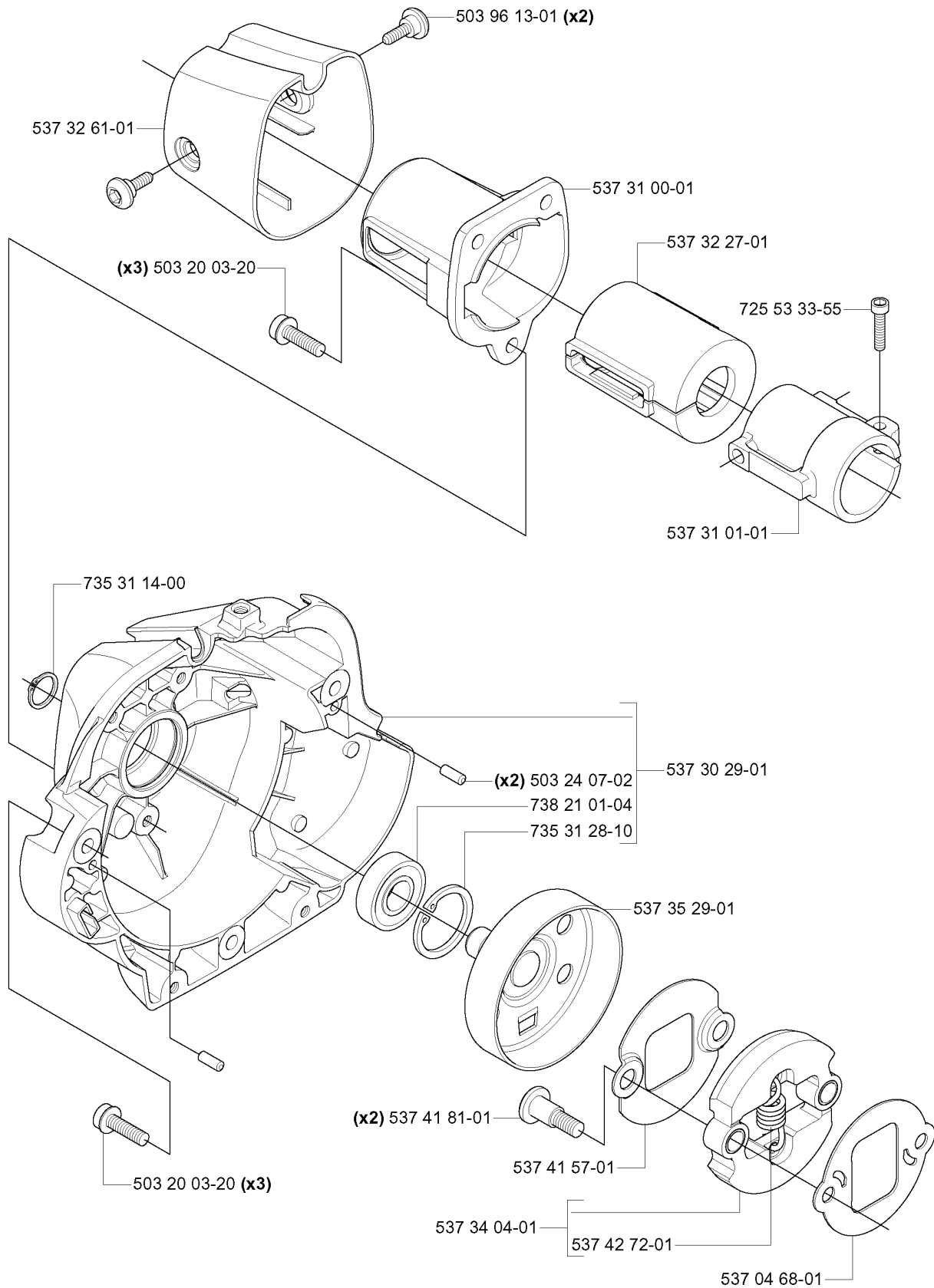


## HANDLE &amp; CONTROLS

335 R X-SERIES, from 20181800001-current

| Part No      | Description          | Remark | QTY KIT |
|--------------|----------------------|--------|---------|
| 503 20 02-45 | SCREW IHSCFM         |        | 1       |
| 503 20 07-35 | SCREW IHSCFM         |        | 1       |
| 503 21 66-18 | SCREW IHSCF          |        | 2       |
| 503 21 66-18 | SCREW IHSCF          |        | 1       |
| 503 22 10-13 | HEXAGON NUT          |        | 1       |
| 503 71 82-01 | SWITCH               |        | 1       |
| 503 75 00-02 | HANDLEBAR BRACKET    |        | 1       |
| 503 87 85-04 | SHORT CIRCUIT CABLE  |        | 1       |
| 537 16 02-02 | HANDLE HALF          |        | 1       |
| 537 16 03-02 | HANDLE HALF          |        | 1       |
| 537 16 06-01 | THROTTLE LOCKOUT     |        | 1       |
| 537 16 07-01 | THROTTLE LOCKOUT     |        | 1       |
| 537 16 08-01 | THROTTLE TRIGGER     |        | 1       |
| 537 16 09-01 | STEERING WHEEL       |        | 1       |
| 537 16 10-01 | HUB                  |        | 1       |
| 537 16 12-01 | SCREW                |        | 1       |
| 537 17 28-01 | HANDLE               |        | 1       |
| 537 17 29-01 | COVER                |        | 1       |
| 537 17 42-01 | SPRING THROTTLE TRIG |        | 1       |
| 537 17 43-01 | SPRING               |        | 1       |
| 537 17 44-01 | SPRING               |        | 1       |
| 537 18 35-12 | HANDLE SYSTEM        | 335RX  | 1       |
| 537 18 36-01 | SPRING               |        | 1       |
| 537 35 96-01 | WIRING ASSY          |        | 1       |
| 537 36 00-01 | HANDLEBAR            |        | 1       |
| 537 37 78-01 | THROTTLE CABLE ASSY  |        | 1       |
| 731 23 14-01 | HEXAGON NUT          |        | 1       |

# E

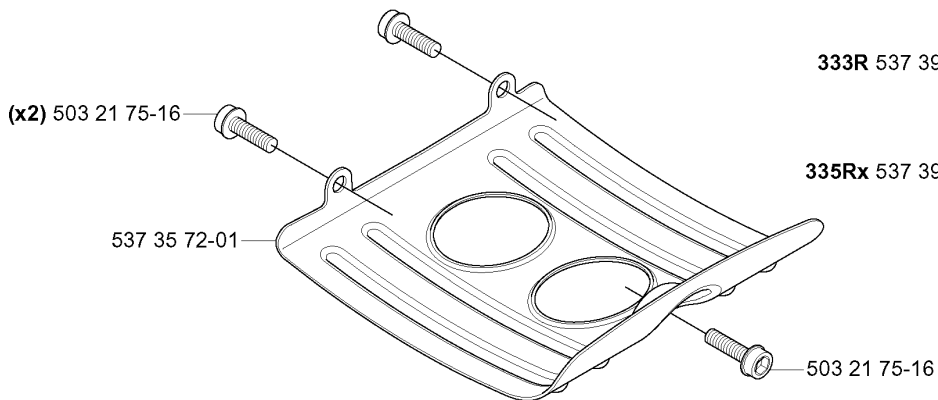
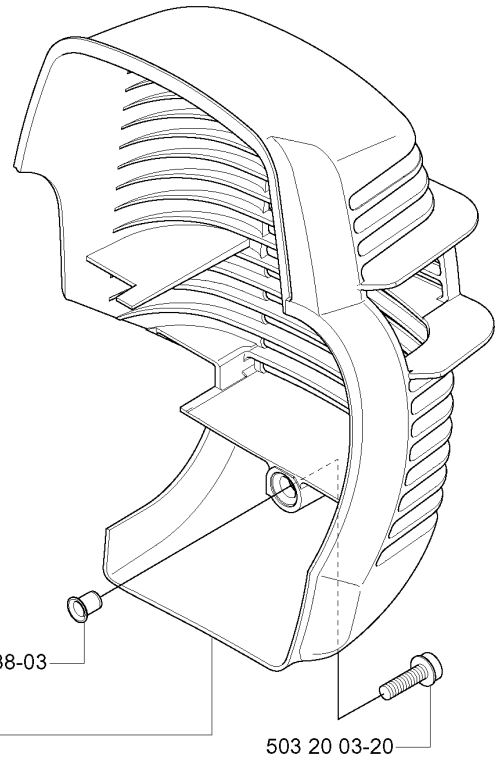
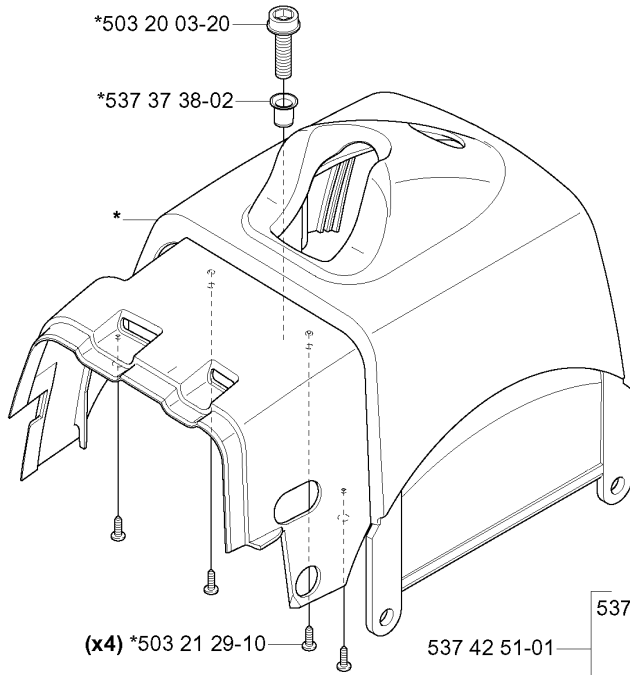



## CLUTCH


335 R X-SERIES, from 20181800001-current

| Part No      | Description           | Remark | QTY KIT |
|--------------|-----------------------|--------|---------|
| 503 20 03-20 | SCREW IHSCFM          |        | 3       |
| 503 20 03-20 | SCREW IHSCFM          |        | 3       |
| 503 24 07-02 | PARALLEL PIN          |        | 2       |
| 503 96 13-01 | SCREW                 |        | 2       |
| 537 04 68-01 | WASHER                |        | 1       |
| 537 30 29-01 | CLUTCH COVER          |        | 1       |
| 537 31 00-01 | COVER                 |        | 1       |
| 537 31 01-01 | COMPRESSION SLEEVE    |        | 1       |
| 537 32 27-01 | ANTIVIBRATION ELEMENT |        | 1       |
| 537 32 61-01 | COVER                 |        | 1       |
| 537 34 04-01 | CLUTCH                |        | 1       |
| 537 35 29-01 | CLUTCH DRUM           |        | 1       |
| 537 41 57-01 | WASHER                |        | 1       |
| 537 41 81-01 | SCREW                 |        | 2       |
| 537 42 72-01 | SPRING                |        | 1       |
| 725 53 33-55 | SCREW IHSCM           |        | 1       |
| 735 31 14-00 | CIRCLIP               |        | 1       |
| 735 31 28-10 | CIRCLIP               |        | 1       |
| 738 21 01-04 | BALL BEARING          |        | 1       |

**F** \*compl 537 41 44-01 335Rx  
\*compl 537 41 44-02 333R



333R 537 39 52-05   
**333R**

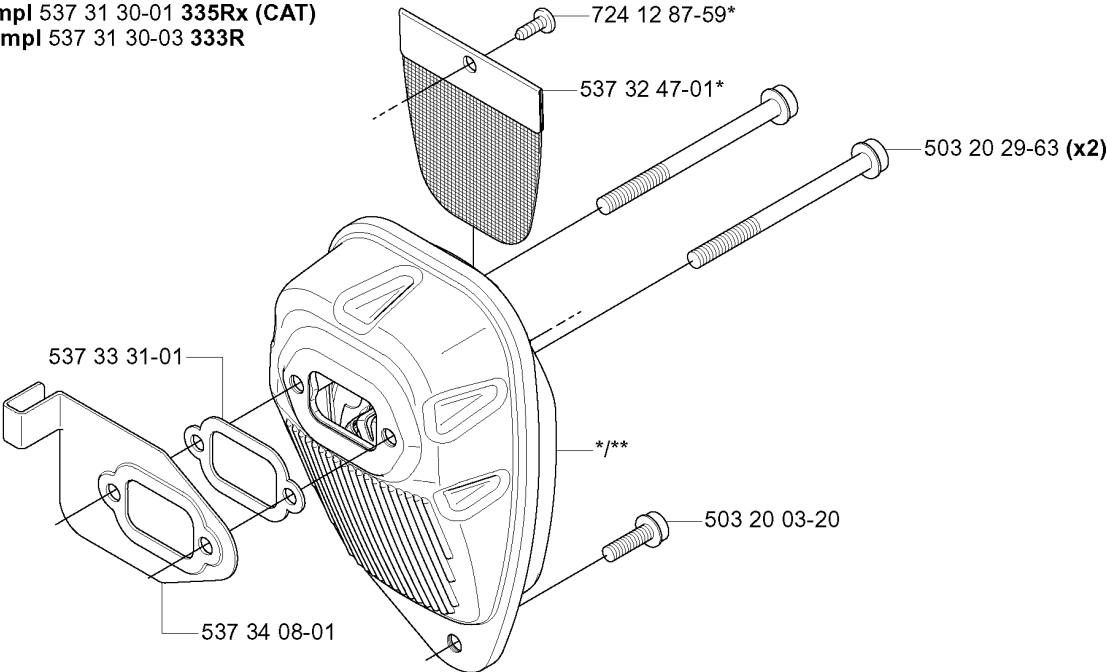
335Rx 537 39 52-06   
**X-series**  
**335R**

## COVER

335 R X-SERIES, from 20181800001-current

| Part No      | Description      | Remark | QTY KIT |
|--------------|------------------|--------|---------|
| 503 20 03-20 | SCREW IHSCFM     |        | 1       |
| 503 20 03-20 | SCREW IHSCFM     |        | 1       |
| 503 21 29-10 | SCREW CCRPANT    |        | 4       |
| 503 21 75-16 | SCREW IHSCFT     |        | 2       |
| 503 21 75-16 | SCREW IHSCFT     |        | 1       |
| 537 35 72-01 | PROTECTIVE PLATE |        | 1       |
| 537 37 38-02 | TUBULAR RIVET    |        | 1       |
| 537 37 38-03 | TUBULAR RIVET    |        | 1       |
| 537 39 52-05 | LABEL            | 333R   | 1       |
| 537 39 52-06 | LABEL            | 335RX  | 1       |
| 537 41 44-01 | CYLINDER COVER   | 335RX  | 1       |
| 537 41 44-02 | CYLINDER COVER   | 333R   | 1       |
| 537 42 51-01 | HEAT PROTECTOR   |        | 1       |

**G** \*compl 537 31 30-01 335Rx (CAT)  
\*\*compl 537 31 30-03 333R



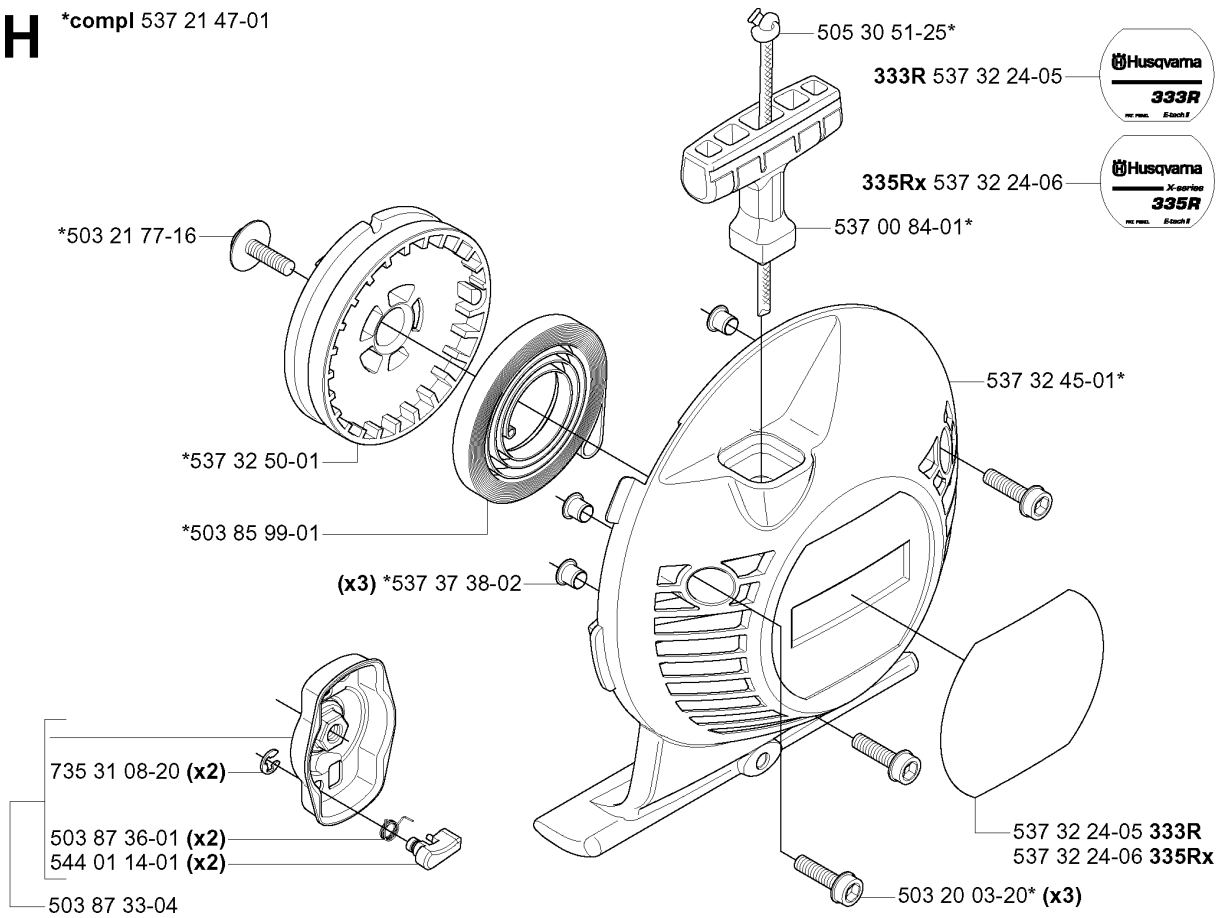


## MUFFLER

335 R X-SERIES, from 20181800001-current

| Part No      | Description           | Remark    | QTY KIT |
|--------------|-----------------------|-----------|---------|
| 503 20 03-20 | SCREW IHSCFM          |           | 1       |
| 503 20 29-63 | SCREW IHSCFM          |           | 2       |
| 537 31 30-01 | MUFFLER ASSY          | 335RX CAT | 1       |
| 537 31 30-03 | MUFFLER ASSY          | 333R      | 1       |
| 537 32 47-01 | SPARK ARRESTER SCREEN |           | 1       |
| 537 33 31-01 | GASKET                |           | 1       |
| 537 34 08-01 | AIR CONDUCTOR         |           | 1       |
| 724 12 87-59 | SCREW CRPANM          |           | 1       |

**H** \*compl 537 21 47-01

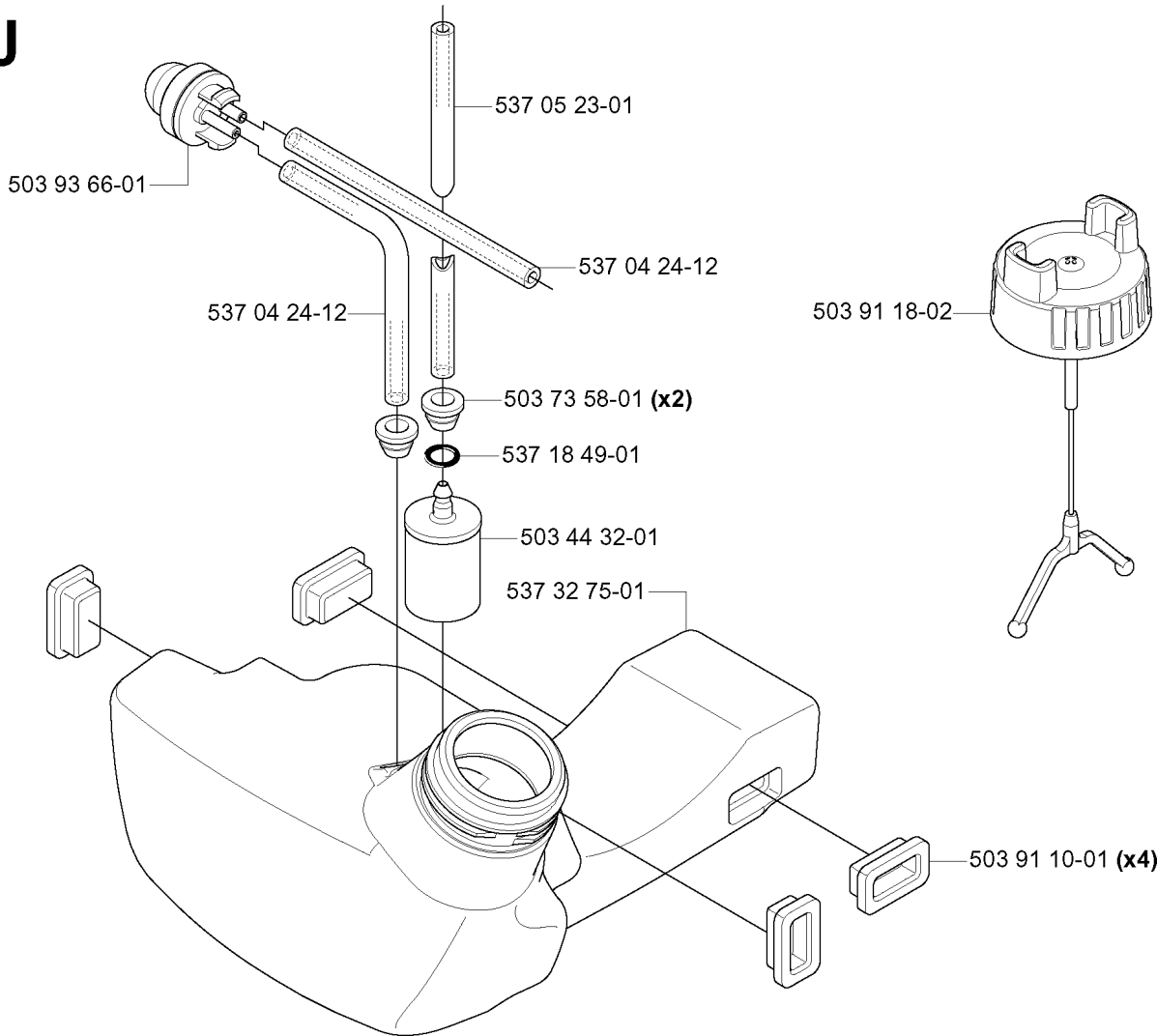


## STARTER

335 R X-SERIES, from 20181800001-current

| Part No      | Description         | Remark | QTY KIT |
|--------------|---------------------|--------|---------|
| 503 20 03-20 | SCREW IHSCFM        |        | 3       |
| 503 21 77-16 | SCREW IHSCT         |        | 1       |
| 503 85 99-01 | RECOIL SPRING       |        | 1       |
| 503 87 33-04 | STARTER PAWL BRIDGE |        | 1       |
| 503 87 36-01 | SPRING              |        | 2       |
| 505 30 51-25 | STARTER CORD        |        | 1       |
| 537 00 84-01 | STARTER HANDLE      |        | 1       |
| 537 21 47-01 | STARTER ASSY        |        | 1       |
| 537 32 24-05 | LABEL               | 333R   | 1       |
| 537 32 24-05 | LABEL               | 333R   | 1       |
| 537 32 24-06 | LABEL               | 335RX  | 1       |
| 537 32 24-06 | LABEL               | 335RX  | 1       |
| 537 32 45-01 | STARTER             |        | 1       |
| 537 32 50-01 | STARTER PULLEY      |        | 1       |
| 537 37 38-02 | TUBULAR RIVET       |        | 3       |
| 544 01 14-01 | STARTER PAWL        |        | 2       |
| 735 31 08-20 | E-CLIP              |        | 2       |

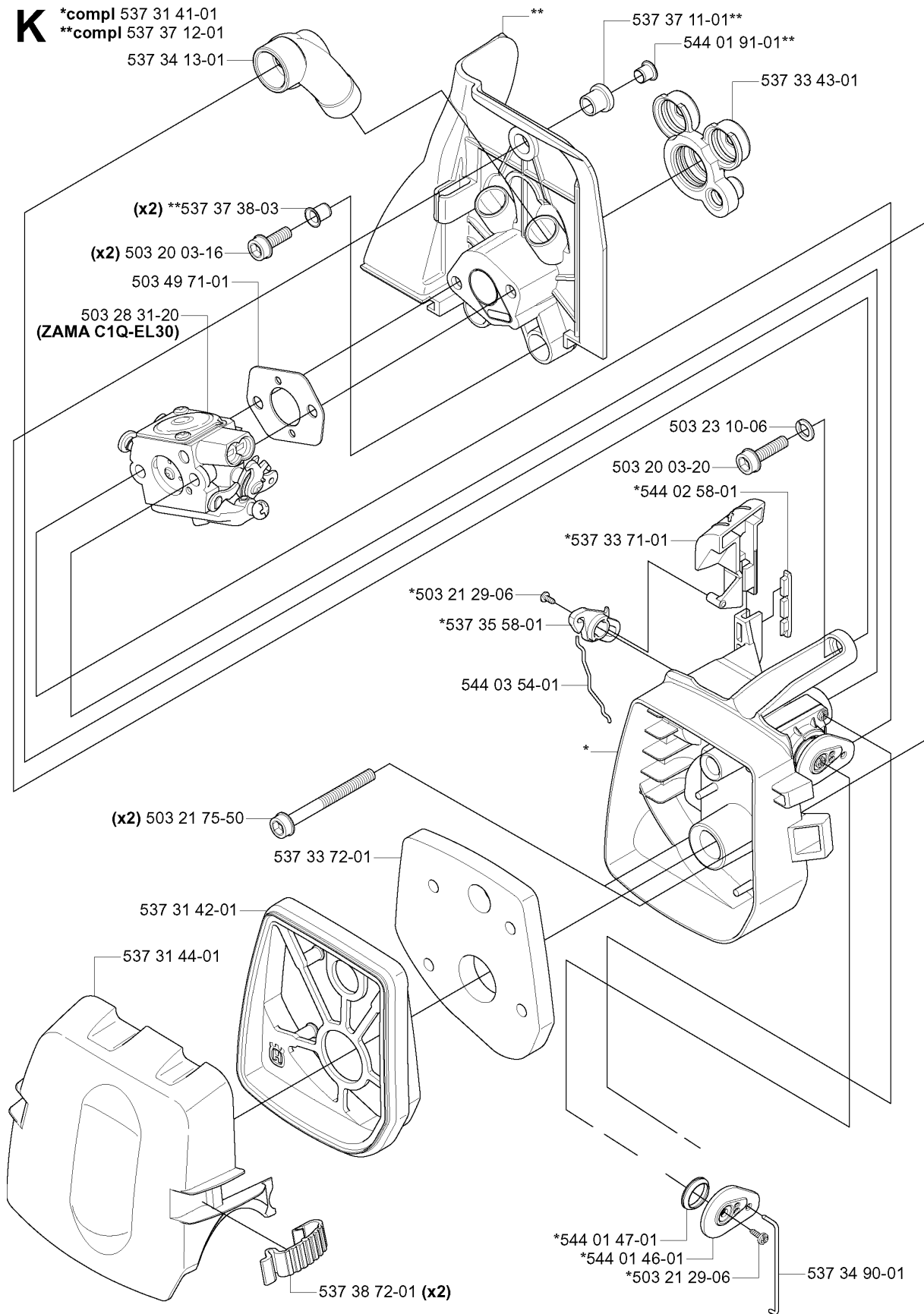
**J**



## FUEL TANK

335 R X-SERIES, from 20181800001-current

| Part No      | Description | Remark | QTY KIT |
|--------------|-------------|--------|---------|
| 503 44 32-01 | FUEL FILTER |        | 1       |
| 503 73 58-01 | BUSHING     |        | 2       |
| 503 91 10-01 | SUSPENSION  |        | 4       |
| 503 91 18-02 | TANK CAP    |        | 1       |
| 503 93 66-01 | PURGE       |        | 1       |
| 537 04 24-12 | FUEL HOSE   |        | 1       |
| 537 04 24-12 | FUEL HOSE   |        | 1       |
| 537 05 23-01 | FUEL HOSE   |        | 1       |
| 537 18 49-01 | O-RING      |        | 1       |
| 537 32 75-01 | FUEL TANK   |        | 1       |

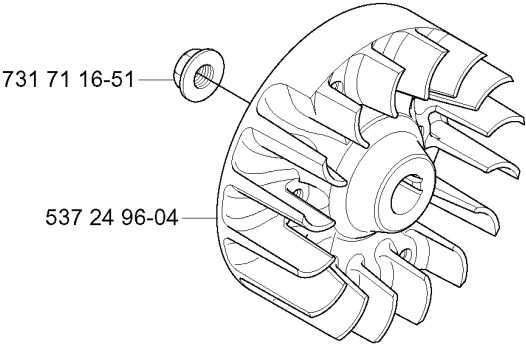
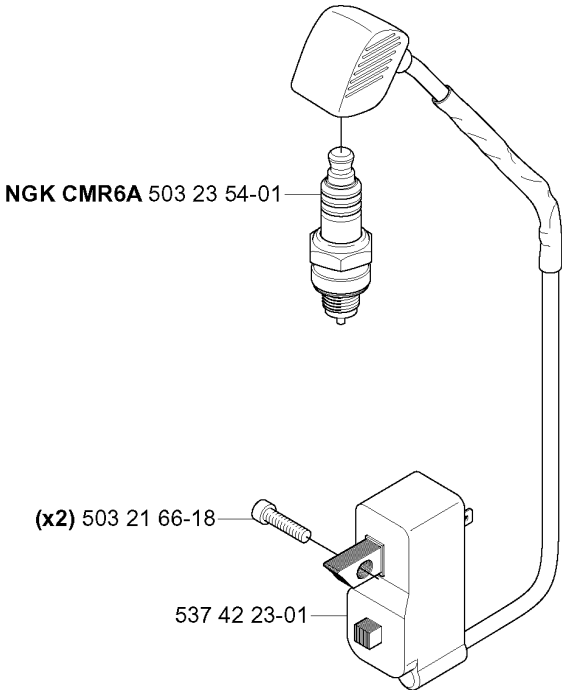


## CARBURETOR &amp; AIR FILTER

335 R X-SERIES, from 20181800001-current

| Part No      | Description     | Remark        | QTY KIT |
|--------------|-----------------|---------------|---------|
| 503 20 03-16 | SCREW IHSCFM    |               | 2       |
| 503 20 03-20 | SCREW IHSCFM    |               | 1       |
| 503 21 29-06 | SCREW CCRPANT   |               | 1       |
| 503 21 29-06 | SCREW CCRPANT   |               | 1       |
| 503 21 75-50 | SCREW IHSCFT    |               | 2       |
| 503 23 10-06 | WASHER          |               | 1       |
| 503 28 31-20 | CARBURETTOR     | ZAMA C1Q-EL30 | 1       |
| 503 49 71-01 | GASKET          |               | 1       |
| 537 31 41-01 | FILTER HOLDER   |               | 1       |
| 537 31 42-01 | FRAME           |               | 1       |
| 537 31 44-01 | FILTER COVER    |               | 1       |
| 537 33 43-01 | INLET PIPE      |               | 1       |
| 537 33 71-01 | CHOKE CONTROL   |               | 1       |
| 537 33 72-01 | FILTER          |               | 1       |
| 537 34 13-01 | AIR DUCT        |               | 1       |
| 537 34 90-01 | LEVER           |               | 1       |
| 537 35 58-01 | LEVER           |               | 1       |
| 537 37 11-01 | SLEEVE          |               | 1       |
| 537 37 12-01 | INSULATION WALL |               | 1       |
| 537 37 38-03 | TUBULAR RIVET   |               | 2       |
| 537 38 72-01 | SNAP LOCKING    |               | 2       |
| 544 01 46-01 | LEVER           |               | 1       |
| 544 01 47-01 | BELLOWS         |               | 1       |
| 544 01 91-01 | TUBULAR RIVET   |               | 1       |
| 544 02 58-01 | BAR             |               | 1       |
| 544 03 54-01 | LEVER           |               | 1       |

L





## IGNITION SYSTEM

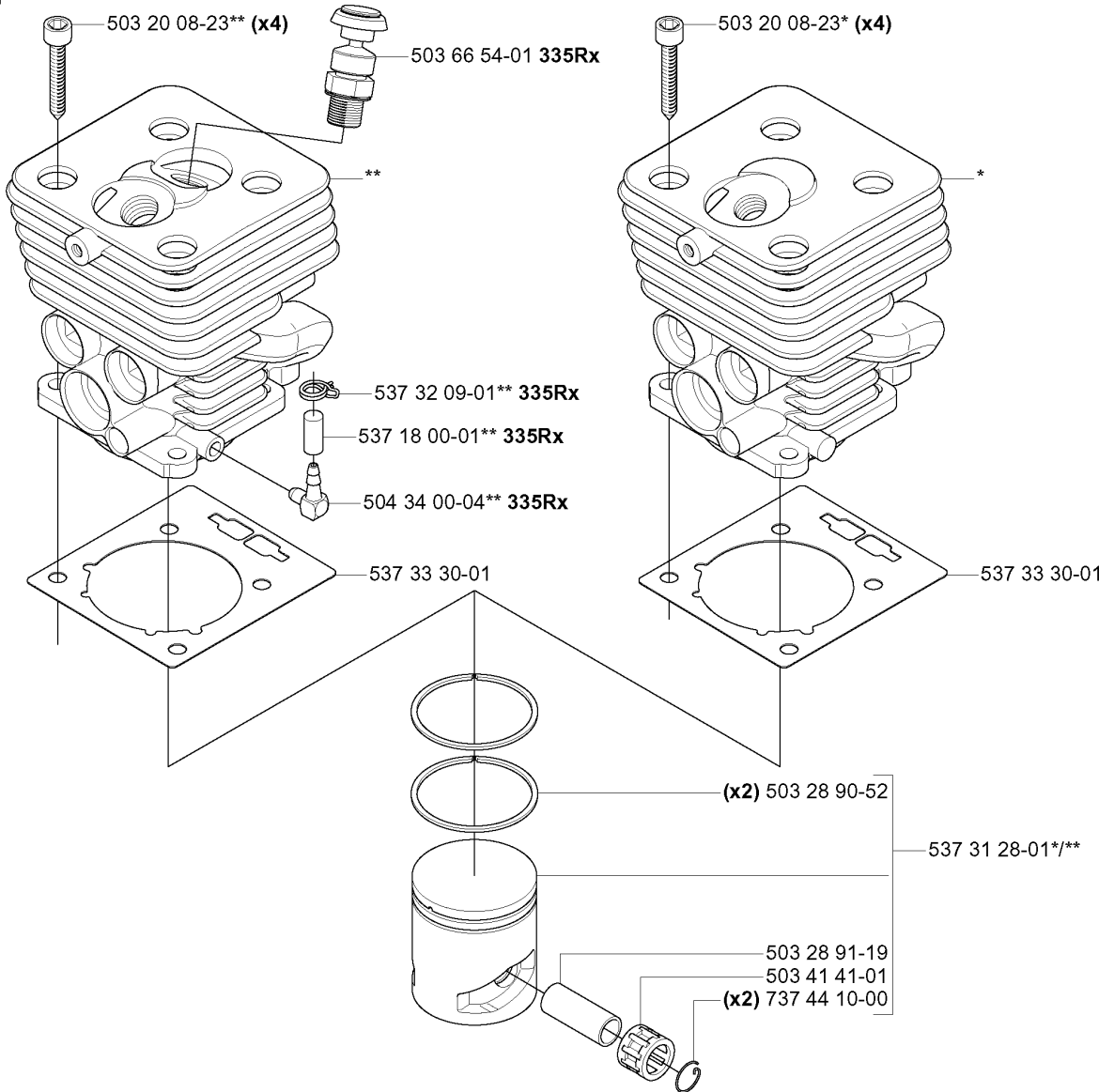
335 R X-SERIES, from 20181800001-current

| Part No      | Description        | Remark    | QTY KIT |
|--------------|--------------------|-----------|---------|
| 503 21 66-18 | SCREW IHST         |           | 2       |
| 503 23 54-01 | SPARK PLUG         | NGK CMR6A | 1       |
| 537 24 96-04 | FLYWHEEL           |           | 1       |
| 537 42 23-01 | ELECTRONIC MODULE  |           | 1       |
| 731 71 16-51 | HEXAGON NUT FLANGE |           | 1       |

**M**

**\*\*compl 544 03 95-01 335Rx**

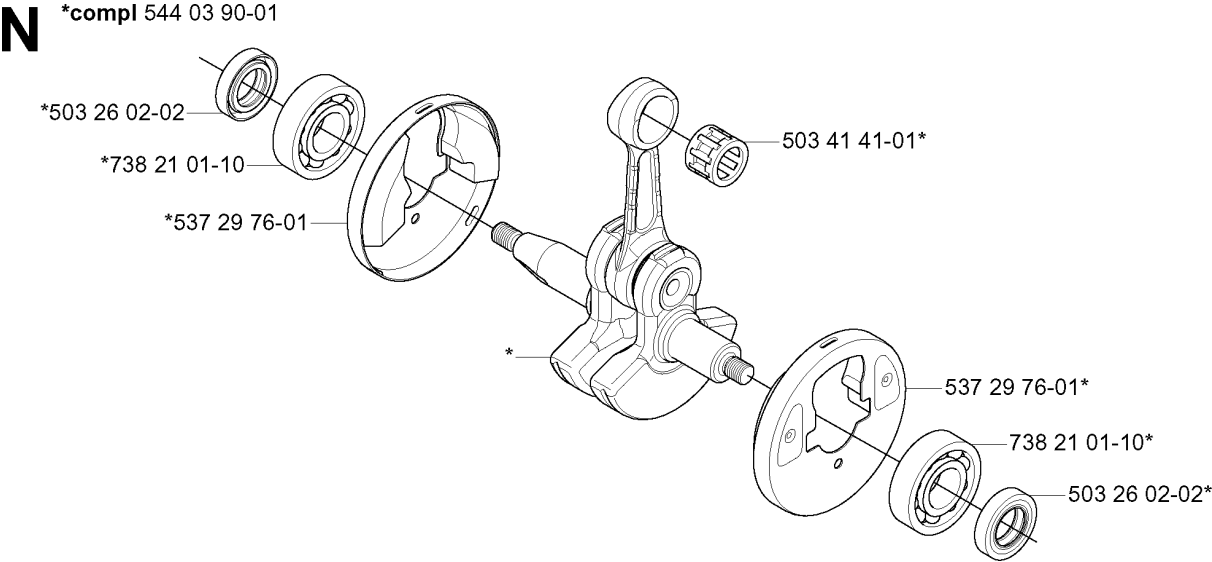
**\*compl 544 03 94-01 333R**



## CYLINDER PISTON

335 R X-SERIES, from 20181800001-current

| Part No      | Description         | Remark | QTY KIT |
|--------------|---------------------|--------|---------|
| 503 20 08-23 | SCREW IHSCM         |        | 4       |
| 503 20 08-23 | SCREW IHSCM         |        | 4       |
| 503 28 90-52 | PISTON RING         |        | 2       |
| 503 28 91-19 | PISTON PIN          |        | 1       |
| 503 41 41-01 | NEEDLE BEARING      |        | 1       |
| 503 66 54-01 | DECOMPRESSION VALVE | 335RX  | 1       |
| 504 34 00-04 | FITTING             | 335RX  | 1       |
| 537 18 00-01 | PROTECTIVE CAP      | 335RX  | 1       |
| 537 31 28-01 | PISTON              |        | 1       |
| 537 32 09-01 | HOSE CLAMP          | 335RX  | 1       |
| 537 33 30-01 | GASKET              |        | 1       |
| 537 33 30-01 | GASKET              |        | 1       |
| 544 03 94-01 | CYLINDER ASSY       | 333R   | 1       |
| 544 03 95-01 | CYLINDER ASSY       | 335RX  | 1       |
| 737 44 10-00 | SNAP RING           |        | 2       |

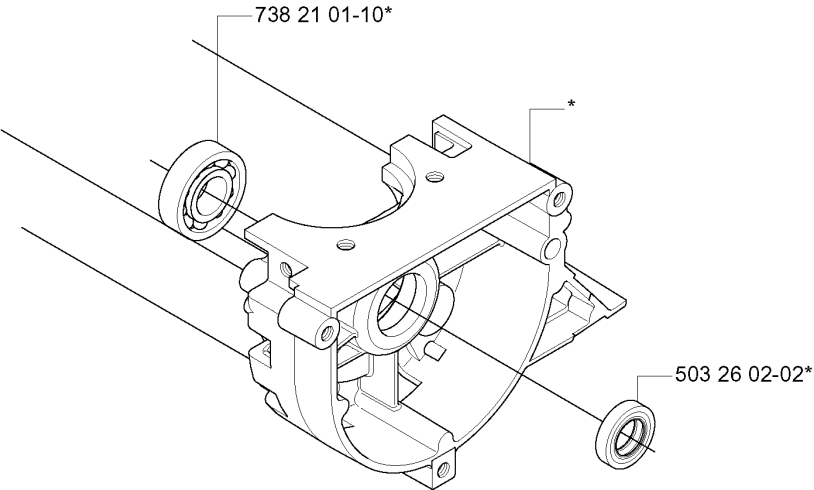
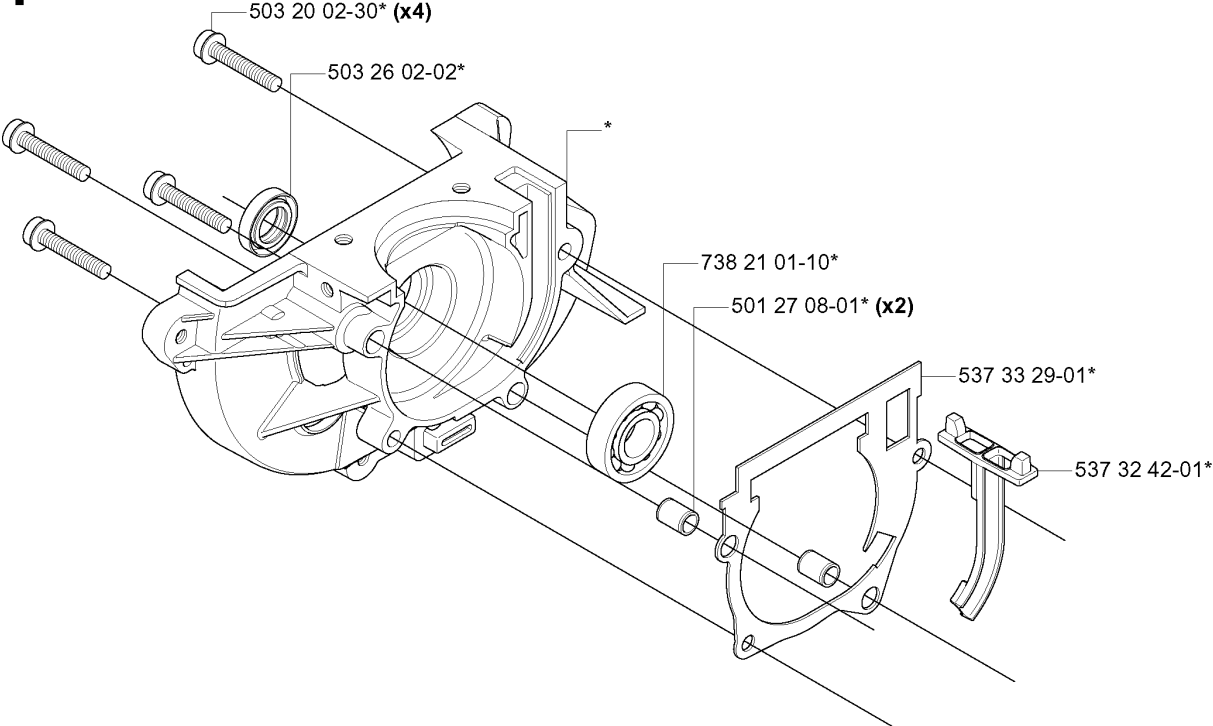


## CRANKSHAFT

335 R X-SERIES, from 20181800001-current

| Part No      | Description     | Remark | QTY KIT |
|--------------|-----------------|--------|---------|
| 503 26 02-02 | SEALING RING    |        | 1       |
| 503 26 02-02 | SEALING RING    |        | 1       |
| 503 41 41-01 | NEEDLE BEARING  |        | 1       |
| 537 29 76-01 | CUP             |        | 1       |
| 537 29 76-01 | CUP             |        | 1       |
| 544 03 90-01 | CRANKSHAFT ASSY |        | 1       |
| 738 21 01-10 | BALL BEARING    |        | 1       |
| 738 21 01-10 | BALL BEARING    |        | 1       |

**P** \*compl 544 03 89-01



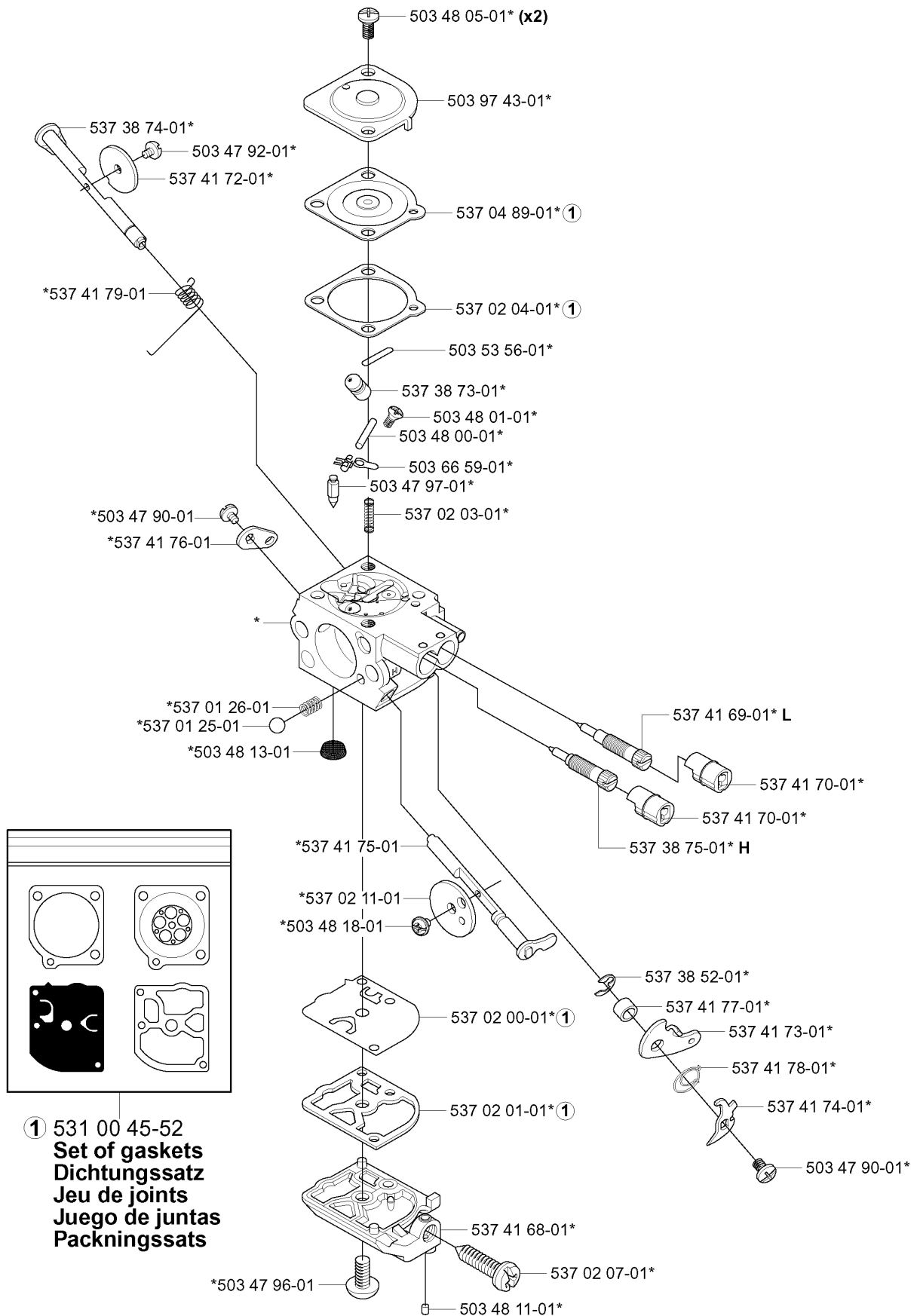
CRANKCASE

335 R X-SERIES, from 20181800001-current

| Ref          | Part No      | Description    | Remark | QTY KIT |
|--------------|--------------|----------------|--------|---------|
| 544 03 89-01 | 544 03 89-01 | CRANKCASE ASSY |        | 1       |
| 503 20 02-30 | 503 20 02-30 | SCREW IHSCFM   |        | 4       |
| 503 26 02-02 | 503 26 02-02 | SEALING RING   |        | 1       |
| 738 21 01-10 | 738 21 01-10 | BALL BEARING   |        | 1       |
| 503 26 02-02 | 503 26 02-02 | SEALING RING   |        | 1       |
| 537 32 42-01 | 537 32 42-01 | INSERT         |        | 1       |
| 537 33 29-01 | 593 77 76-01 | GASKET         |        | 1       |
| 501 27 08-01 | 501 27 08-01 | GUIDE BUSHING  |        | 2       |
| 738 21 01-10 | 738 21 01-10 | BALL BEARING   |        | 1       |

**Q** \*compl 503 28 31-20 (ZAMA C1Q-EL30)

# Zama C1Q-EL30



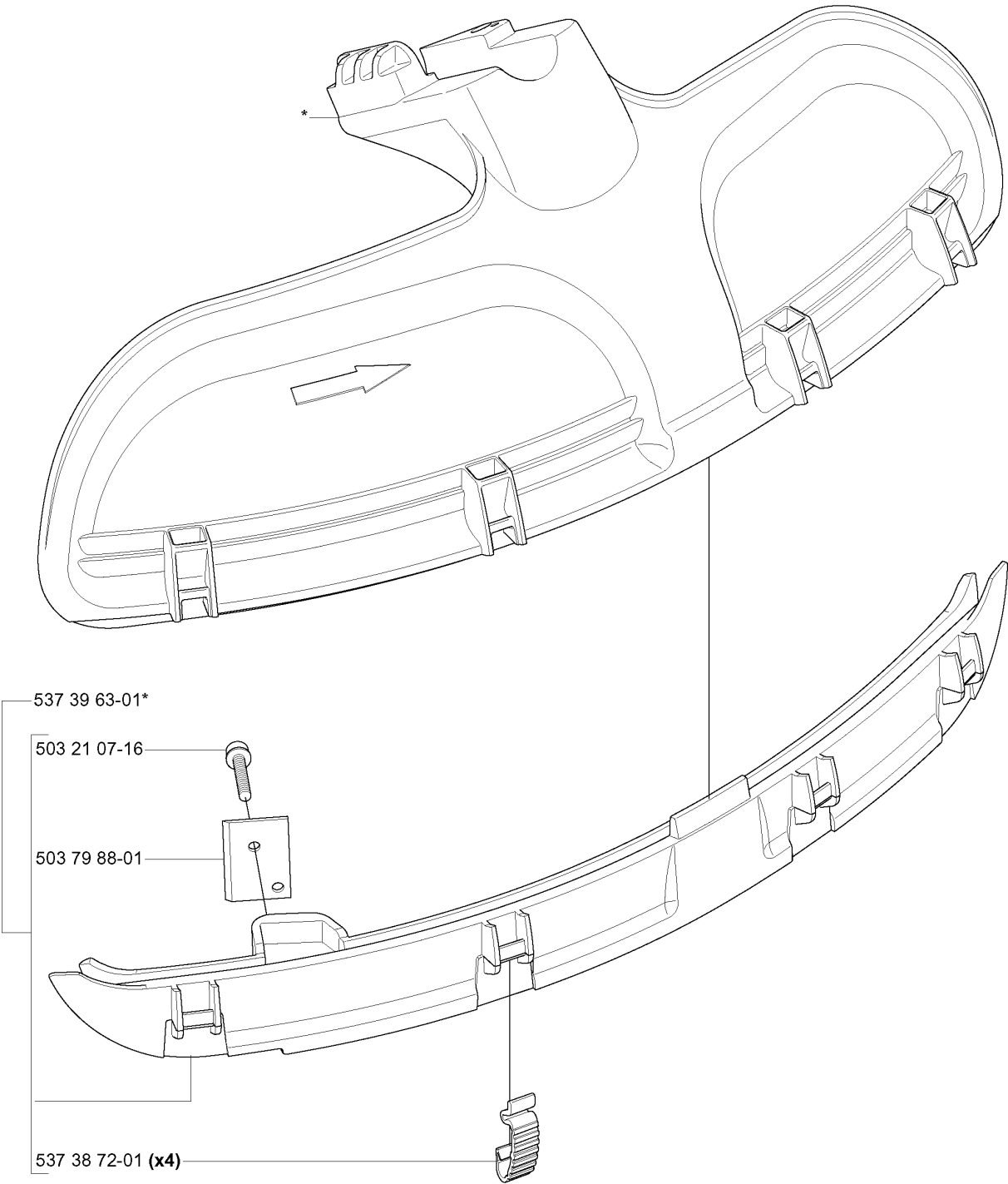


## CARBURETOR DETAILS

335 R X-SERIES, from 20181800001-current

| Part No      | Description          | Remark                      | QTY KIT |
|--------------|----------------------|-----------------------------|---------|
| 503 28 31-20 | CARBURETTOR          | ZAMA C1Q-EL30               | 1       |
| 503 47 90-01 | SCREW                |                             | 1       |
| 503 47 90-01 | SCREW                |                             | 1       |
| 503 47 92-01 | SCREW                |                             | 1       |
| 503 47 96-01 | SCREW                |                             | 1       |
| 503 47 97-01 | VALVE                |                             | 1       |
| 503 48 00-01 | PIN RETAINING SCREW  |                             | 1       |
| 503 48 01-01 | SCREW                |                             | 1       |
| 503 48 05-01 | SCREW                |                             | 2       |
| 503 48 11-01 | PIECE                |                             | 1       |
| 503 48 13-01 | STRAINER             |                             | 1       |
| 503 48 18-01 | SCREW                |                             | 1       |
| 503 53 56-01 | PLUG WELCH           |                             | 1       |
| 503 66 59-01 | LEVER                |                             | 1       |
| 503 97 43-01 | COVER                |                             | 1       |
| 531 00 45-52 | GASKET KIT           | SET OF GASKETS              | 1       |
| 537 01 25-01 | BALL                 |                             | 1       |
| 537 01 26-01 | SPRING               |                             | 1       |
| 537 02 00-01 | DIAPHRAGM PUMP       | 531 00 45-52 SET OF GASKETS | 1       |
| 537 02 01-01 | GASKET               | 531 00 45-52 SET OF GASKETS | 1       |
| 537 02 03-01 | SPRING               |                             | 1       |
| 537 02 04-01 | GASKET               | 531 00 45-52 SET OF GASKETS | 1       |
| 537 02 07-01 | SCREW                |                             | 1       |
| 537 02 11-01 | VALVE                |                             | 1       |
| 537 04 89-01 | DIAPHRAGM            | 531 00 45-52 SET OF GASKETS | 1       |
| 537 38 52-01 | CLIP                 |                             | 1       |
| 537 38 73-01 | NOZZLE ASSY          |                             | 1       |
| 537 38 74-01 | SHAFT ASSY           |                             | 1       |
| 537 38 75-01 | SCREW                | H                           | 1       |
| 537 41 68-01 | COVER                |                             | 1       |
| 537 41 69-01 | SCREW                | L                           | 1       |
| 537 41 70-01 | LIMITER CAP          |                             | 1       |
| 537 41 70-01 | LIMITER CAP          |                             | 1       |
| 537 41 72-01 | VALVE                |                             | 1       |
| 537 41 73-01 | LEVER                |                             | 1       |
| 537 41 74-01 | LEVER                |                             | 1       |
| 537 41 75-01 | SHAFT ASSY           |                             | 1       |
| 537 41 76-01 | LEVER                |                             | 1       |
| 537 41 77-01 | COLLAR               |                             | 1       |
| 537 41 78-01 | SPRING THROTT.RETURN |                             | 1       |
| 537 41 79-01 | SPRING THROTT.RETURN |                             | 1       |

**R** \*compl 537 33 16-01



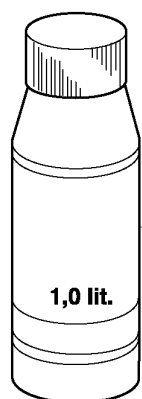
GUARDS

335 R X-SERIES, from 20181800001-current

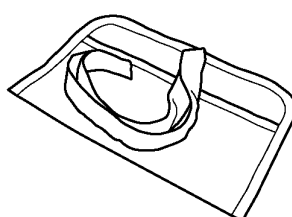
| Part No      | Description       | Remark | QTY KIT |
|--------------|-------------------|--------|---------|
| 503 21 07-16 | SCREW IH SCT      |        | 1       |
| 503 79 88-01 | BLADE             |        | 1       |
| 537 33 16-01 | COMBINATION GUARD |        | 1       |
| 537 38 72-01 | SNAP LOCKING      |        | 4       |
| 537 39 63-01 | SPLASH GUARD      |        | 1       |

**R** Accessories  
 Zubehöre  
 Accessoires  
 Accesorios  
 Tillbehör

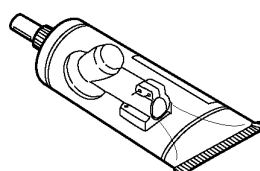
Oilja Luftfilter  
 Oil Airfilter  
 Öl Luftfilter  
 Aceite Filtro Air  
 Huile Filtera aire



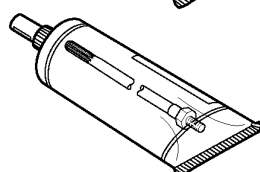
531 00 92-48



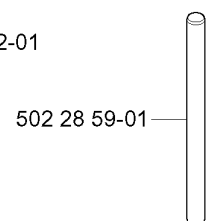
501 19 22-01



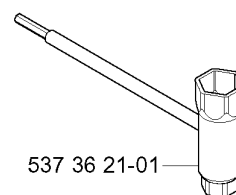
503 97 64-01



503 80 17-01

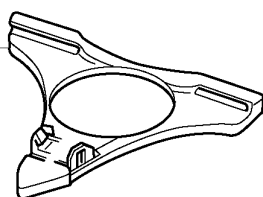


502 28 59-01

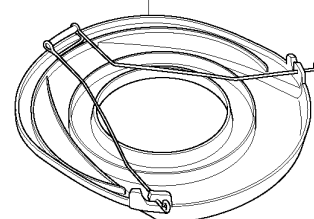


537 36 21-01

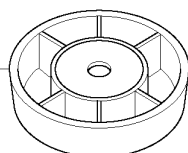
(300mm) 502 26 23-01



537 31 29-01 (200-275 mm)



503 89 01-02

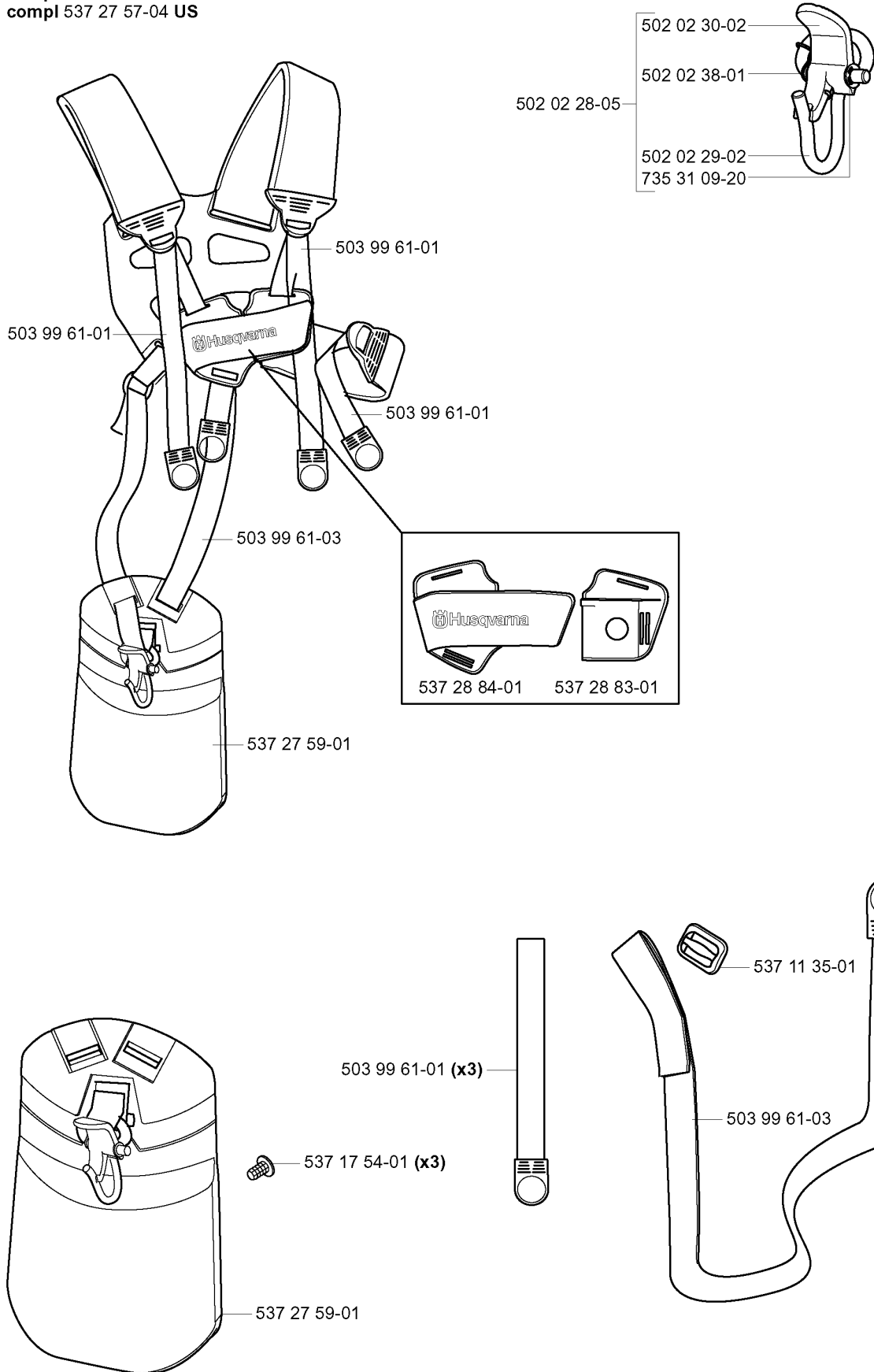


## ACCESSORIES

335 R X-SERIES, from 20181800001-current

| Part No      | Description        | Remark     | QTY KIT |
|--------------|--------------------|------------|---------|
| 501 19 22-01 | TOOL               |            | 1       |
| 502 26 23-01 | TRIMMER GUARD ASSY | 300MM      | 1       |
| 502 28 59-01 | STOP               |            | 1       |
| 503 80 17-01 | GREASE             |            | 1       |
| 503 89 01-02 | SUPPORT CUP        |            | 1       |
| 503 97 64-01 | GREASE             |            | 1       |
| 531 00 92-48 | FILTER OIL         |            | 1       |
| 537 31 29-01 | TRANSPORT GUARD    | 200-275 MM | 1       |
| 537 36 21-01 | COMBINATION WRENCH |            | 1       |

**S** Duo Balance  
compl 537 27 57-02  
compl 537 27 57-04 US



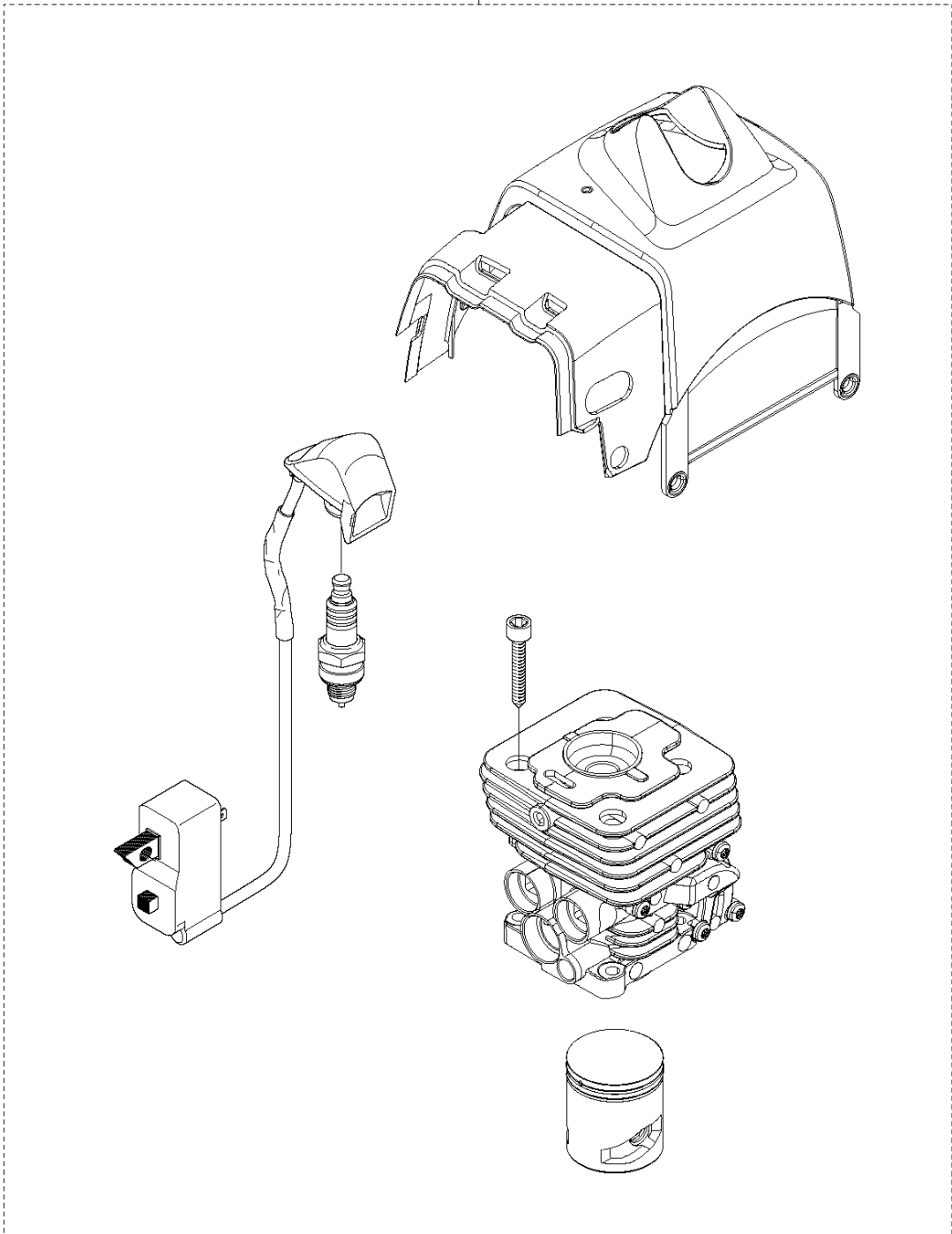
## HARNESS

335 R X-SERIES, from 20181800001-current

| Part No      | Description | Remark | QTY KIT |
|--------------|-------------|--------|---------|
| 502 02 28-05 | WELT HOOK   |        | 1       |
| 502 02 29-02 | HOOK        |        | 1       |
| 502 02 30-02 | LOCK        |        | 1       |
| 502 02 38-01 | SPRING      |        | 1       |
| 503 99 61-01 | BAND        |        | 1       |
| 503 99 61-01 | BAND        |        | 3       |
| 503 99 61-01 | BAND        |        | 1       |
| 503 99 61-01 | BAND        |        | 1       |
| 503 99 61-03 | BAND        |        | 1       |
| 503 99 61-03 | BAND        |        | 1       |
| 537 11 35-01 | RETAINER    |        | 1       |
| 537 17 54-01 | HIP PAD     |        | 3       |
| 537 27 57-02 | HARNESS     |        | 1       |
| 537 27 57-04 | HARNESS     | US     | 1       |
| 537 27 59-01 | HIP PAD     |        | 1       |
| 537 27 59-01 | HIP PAD     |        | 1       |
| 537 28 83-01 | BUCKLE      |        | 1       |
| 537 28 84-01 | BUCKLE      |        | 1       |
| 735 31 09-20 | E-CLIP      |        | 1       |

CYLINDER KIT

1





CYLINDER KIT

335 R X-SERIES, from 20181800001-current

| Ref | Part No      | Description | Remark | QTY KIT |
|-----|--------------|-------------|--------|---------|
| 1   | 505 41 17-01 | KIT         |        | 1       |