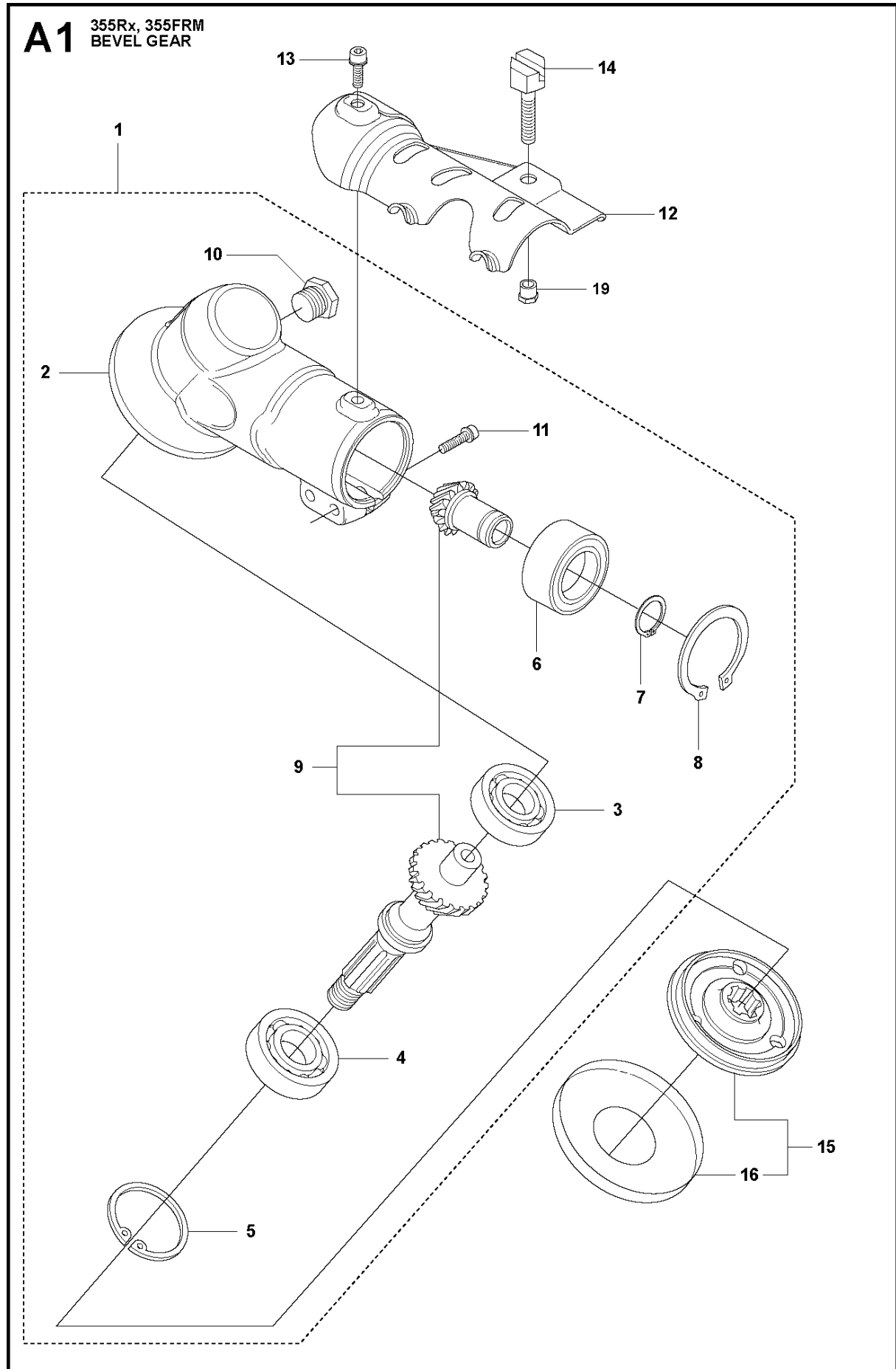




SPARE PARTS LIST

BRUSHCUTTERS/CLEARING SAWS

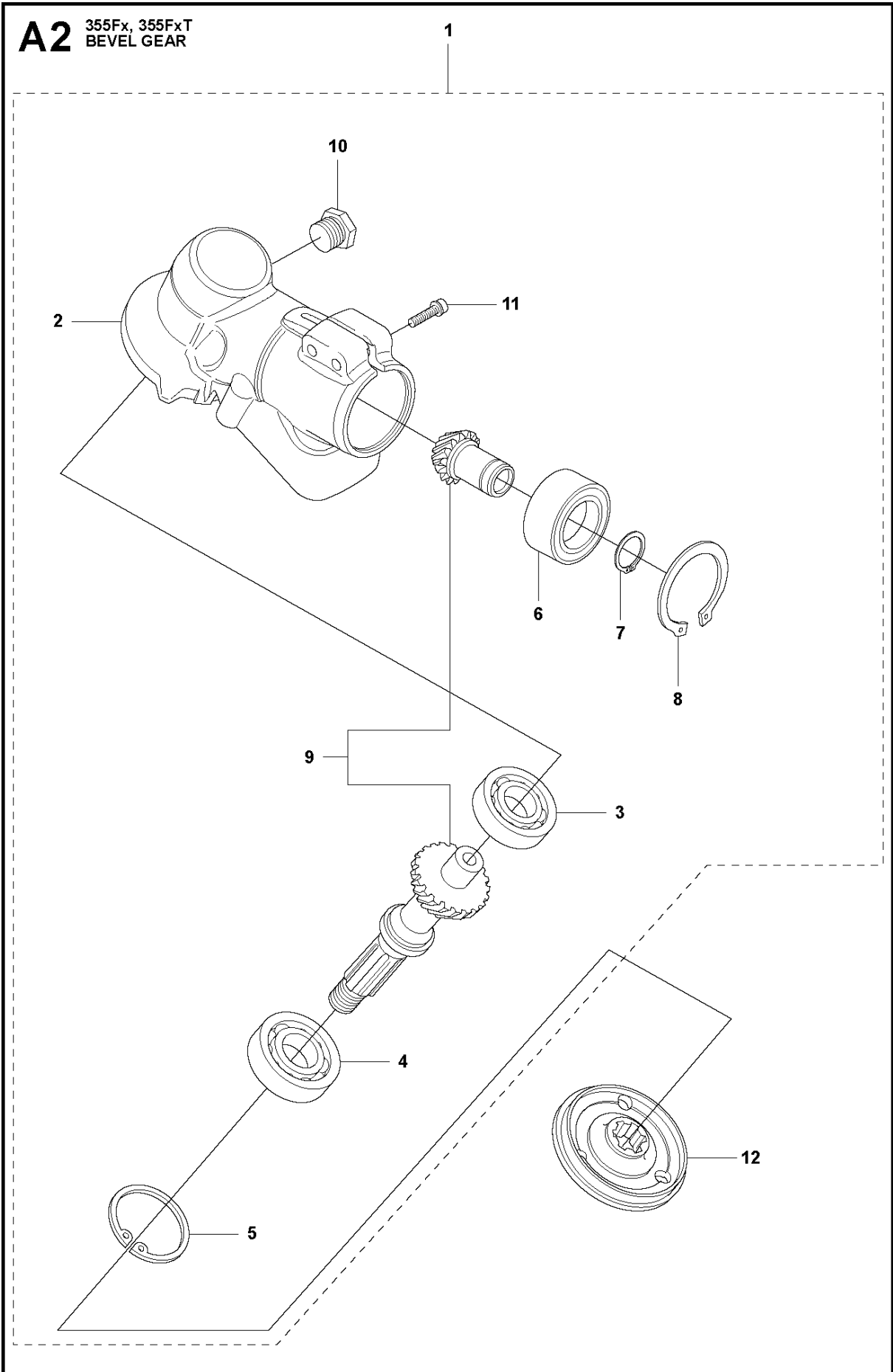
355 FRM, 20192700001-Current



BEVEL GEAR

355 FRM, 20192700001-Current

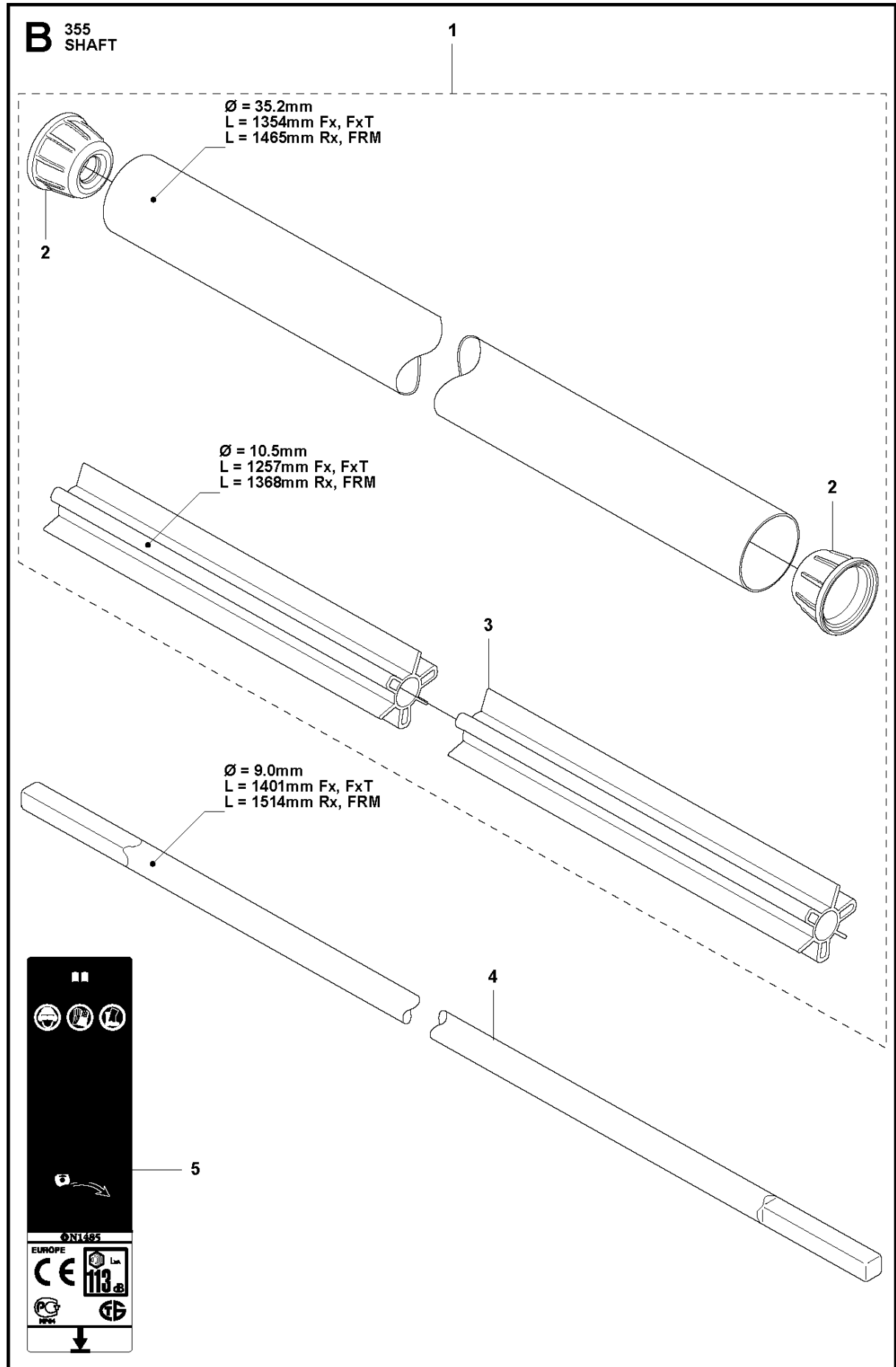
Ref	Part No	Description	Remark	QTY	KIT
1	537 42 84-05	BEVEL GEAR	Incl Pos. 2-11	1	
2	537 42 85-01	GEAR HOUSING		1	1
3	738 21 01-10	BALL BEARING		1	1
4	503 25 25-01	BALL BEARING		1	1
5	735 31 33-10	CIRCLIP		1	1
6	503 25 18-01	BEARING		1	1
7	735 31 17-00	CIRCLIP		1	1
8	735 31 31-10	CIRCLIP		1	1
9	502 43 46-01	GEAR WHEEL KIT	Kit	1	1
10	503 20 15-01	SCREW		1	1
11	725 53 72-65	SCREW IHSCM		2	1
12	501 36 59-01	ATTACHMENT PLATE		1	
13	503 20 07-76	SCREW IHSCFM		1	
14	537 18 95-01	SCREW		1	
15	537 35 14-01	DRIVER	Incl. Pos. 16	1	
16	537 24 03-01	GRASS SEALING		1	15
19	576 65 18-01	SPACING SLEEVE		1	



BEVEL GEAR

355 FRM, 20192700001-Current

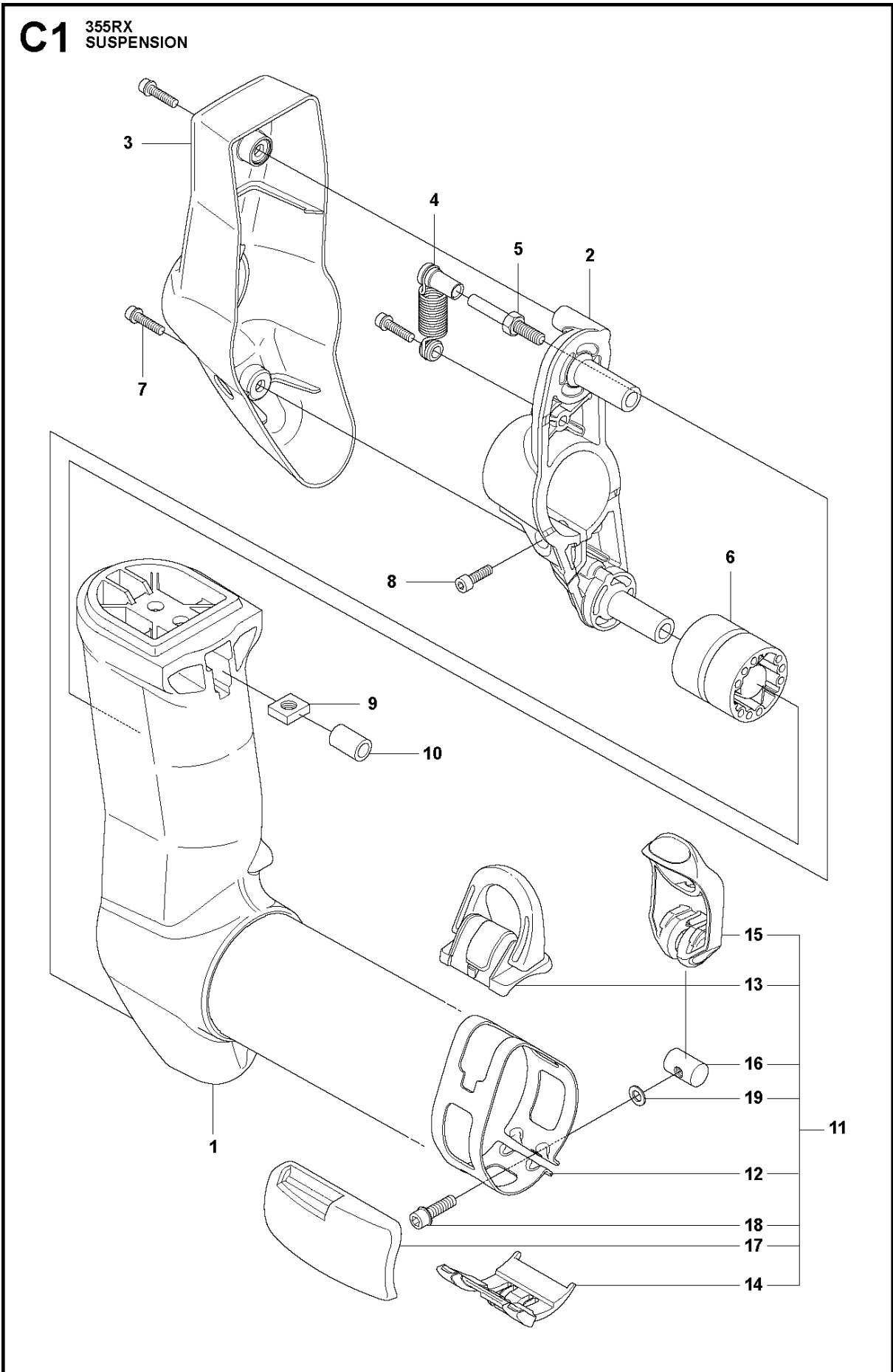
Ref	Part No	Description	Remark	QTY	KIT
1	537 42 82-04	BEVEL GEAR	Incl. Pos. 2-11	1	
2	537 42 83-01	GEAR HOUSING		1	1
3	738 21 01-10	BALL BEARING		1	1
4	503 25 25-01	BALL BEARING		1	1
5	735 31 33-10	CIRCLIP		1	1
6	503 25 18-01	BEARING		1	1
7	735 31 17-00	CIRCLIP		1	1
8	735 31 31-10	CIRCLIP		1	1
9	502 43 47-01	GEAR WHEEL KIT	Kit	1	1
10	503 20 15-01	SCREW		1	1
11	725 53 72-65	SCREW IHSCM		2	1
12	544 19 78-01	DRIVER		1	



SHAFT

355 FRM, 20192700001-Current

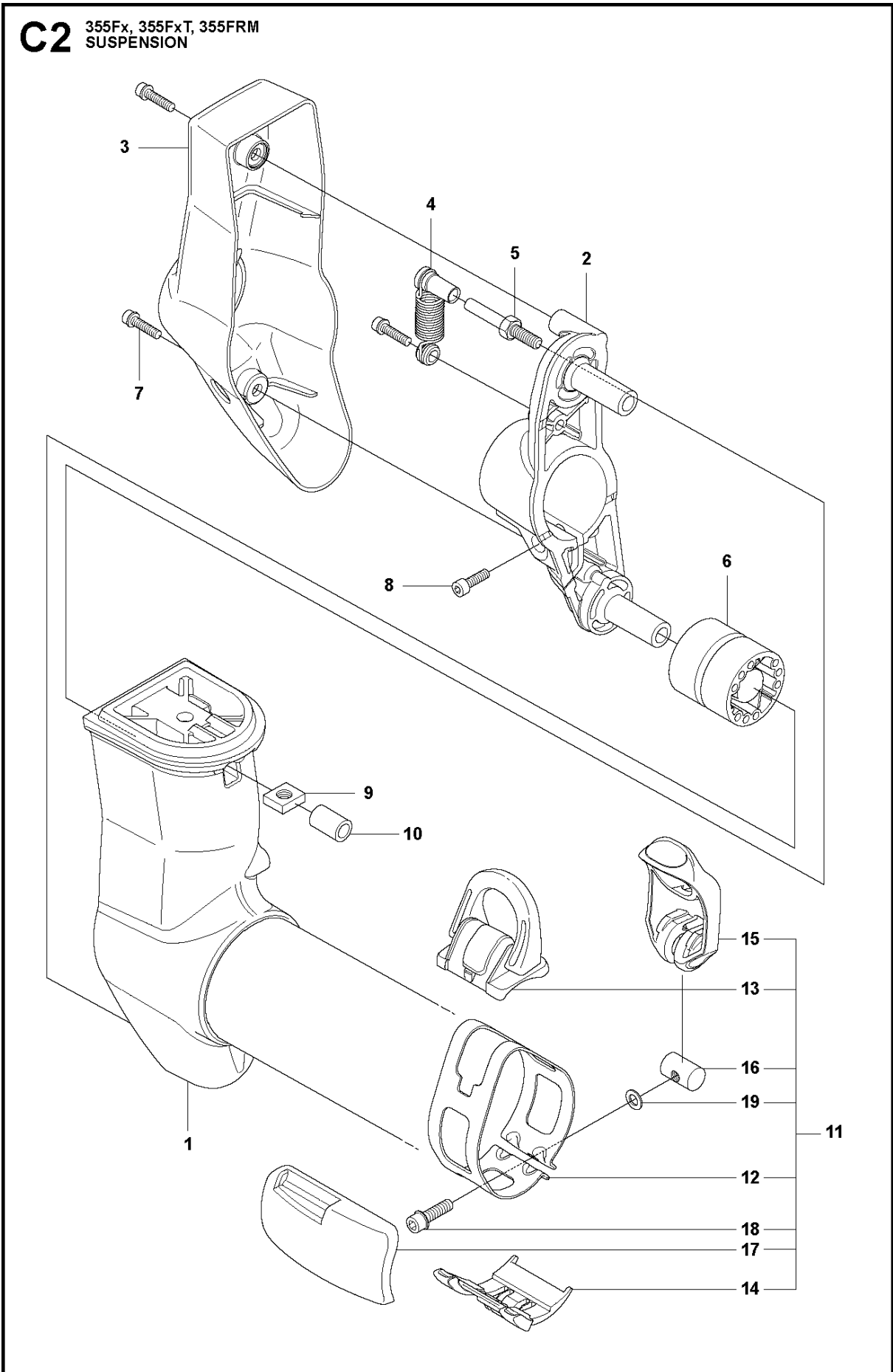
Ref	Part No	Description	Remark	QTY KIT	
1	510 02 78-04	TUBE DRIVESHAFT ASSY	Incl. Pos. 2-3	1	
2	544 32 05-01	SPACER		2	1
3	505 13 13-02	BEARING SHAFT	L=1368mm, Ø=10.5mm	1	1
4	544 15 67-02	DRIVE SHAFT	L=1514mm, Ø=9.0mm	1	
5	537 29 47-10	LABEL		1	



SUSPENSION

355 FRM, 20192700001-Current

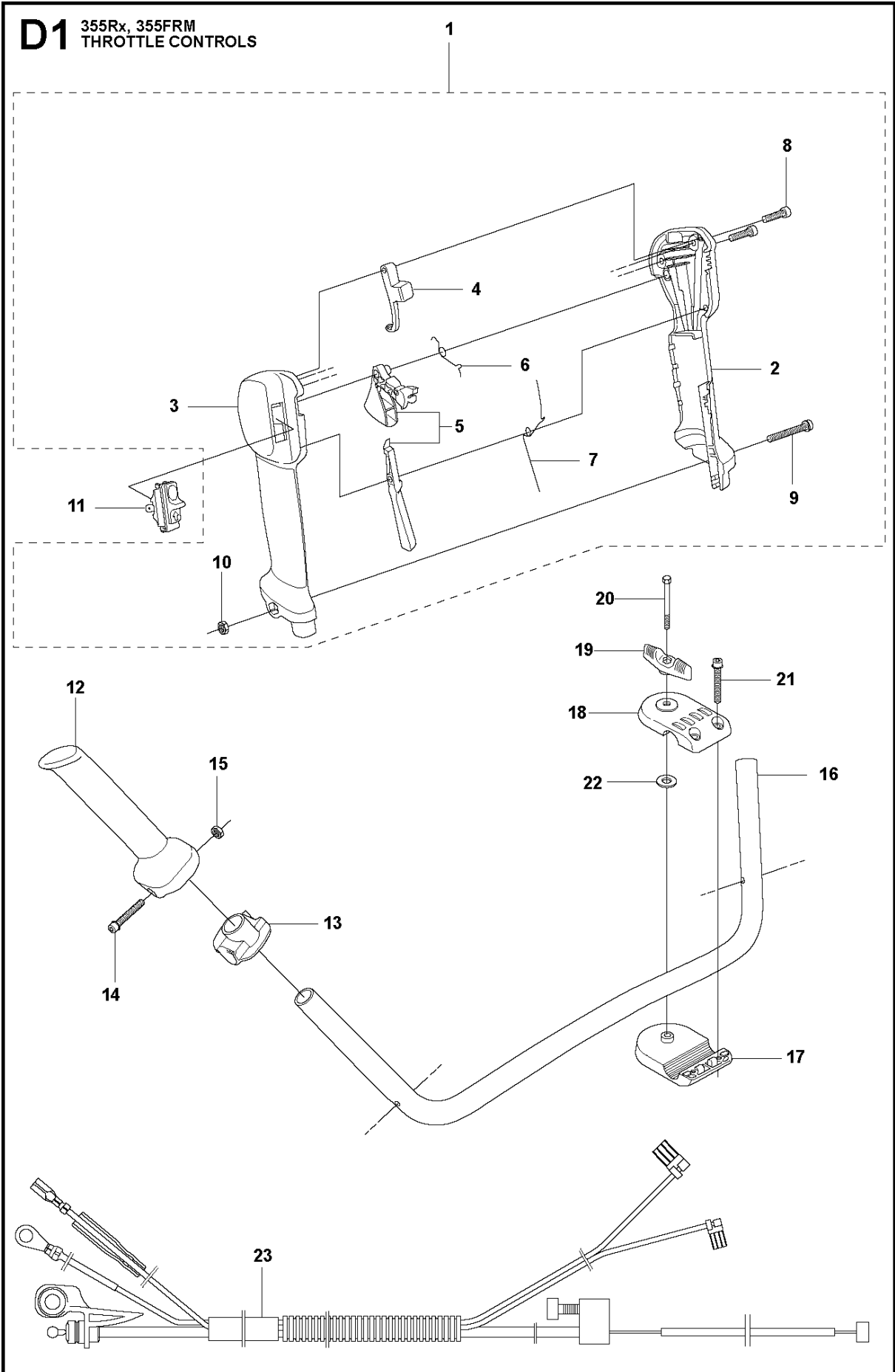
Ref	Part No	Description	Remark	QTY	KIT
1	544 40 16-01	SUSPENSION		1	
2	544 37 83-01	RETAINER		1	
3	544 37 85-01	COVER		1	
4	506 06 88-01	SPRING		1	
5	544 36 77-01	PARALLEL PIN		1	
6	544 23 09-01	ANTIVIBRATION ELEMENT		2	
7	503 20 07-74	SCREW IHSCFM		3	
8	725 53 72-65	SCREW IHSCM		1	
9	502 19 71-01	SQUARE NUT		1	
10	503 85 73-02	COVER		1	
11	504 02 38-01	LOOP	Incl. Pos. 12-19	1	
12	537 39 57-01	BAND		1	11
13	537 20 18-03	LOOP		1	11
14	537 42 74-01	GUIDE RAIL		1	11
15	537 42 70-01	LEVER		1	11
16	537 42 73-01	NUT		1	11
17	544 25 07-01	WEAR PROTECTION		1	11
18	503 20 07-25	SCREW IHSCFM		1	11
19	503 23 00-11	WASHER		1	11



SUSPENSION

355 FRM, 20192700001-Current

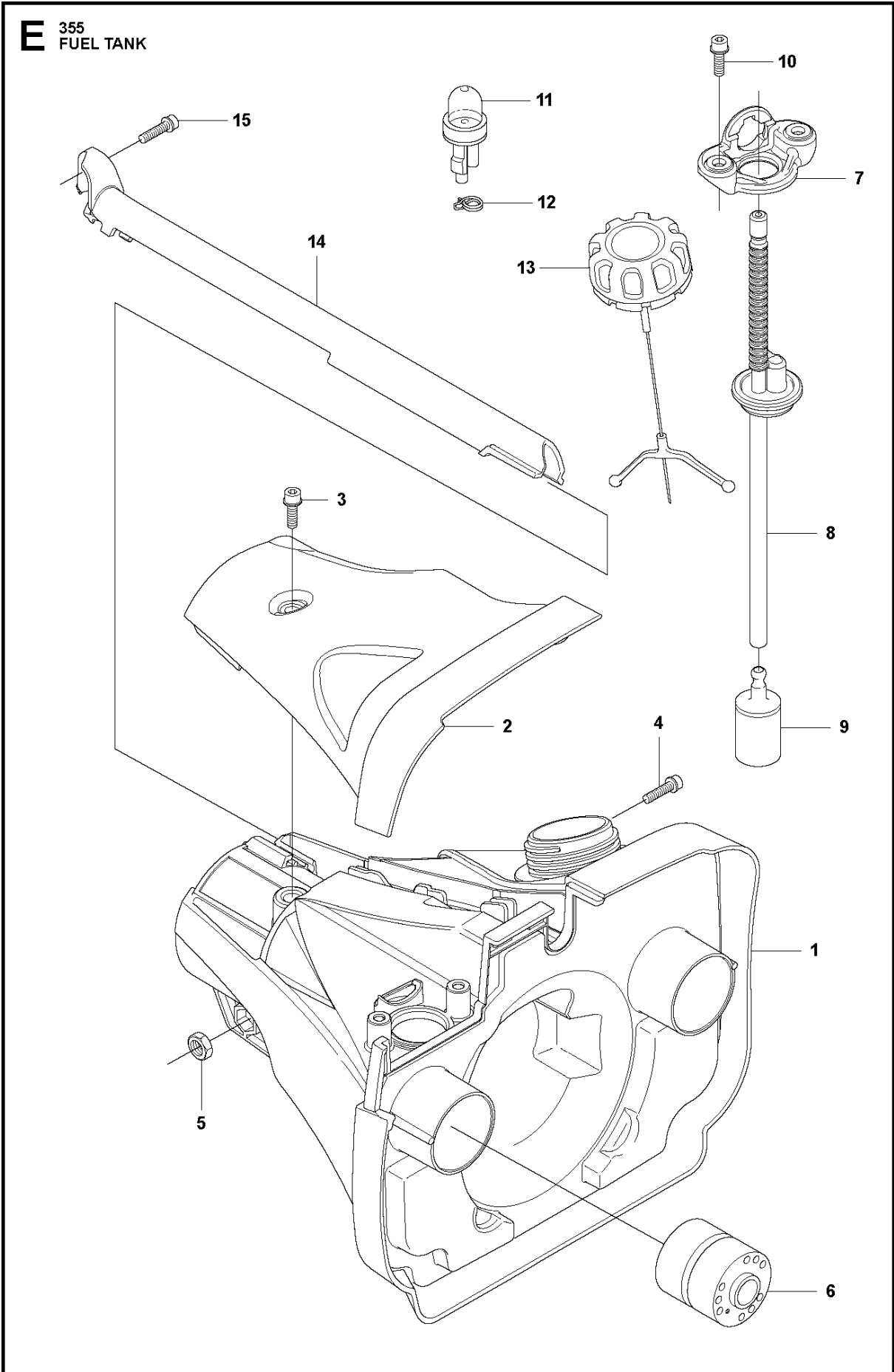
Ref	Part No	Description	Remark	QTY	KIT
1	544 24 59-01	SUSPENSION	Fx, FxT	1	
1	544 24 59-03	SUSPENSION	FRM	1	
2	544 37 83-01	RETAINER		1	
3	544 37 85-01	COVER		1	
4	506 06 88-01	SPRING		1	
5	544 36 77-01	PARALLEL PIN		1	
6	544 23 09-01	ANTIVIBRATION ELEMENT		2	
7	503 20 07-74	SCREW IHSCFM		3	
8	725 53 72-65	SCREW IHSCM		1	
9	502 19 71-01	SQUARE NUT		1	
10	503 85 73-02	COVER		1	
11	504 02 38-01	LOOP	Incl. Pos. 12-19	1	
12	537 39 57-01	BAND		1	11
13	537 20 18-03	LOOP		1	11
14	537 42 74-01	GUIDE RAIL		1	11
15	537 42 70-01	LEVER		1	11
16	537 42 73-01	NUT		1	11
17	544 25 07-01	WEAR PROTECTION		1	11
18	503 20 07-25	SCREW IHSCFM		1	11
19	503 23 00-11	WASHER		1	11



THROTTLE CONTROLS

355 FRM, 20192700001-Current

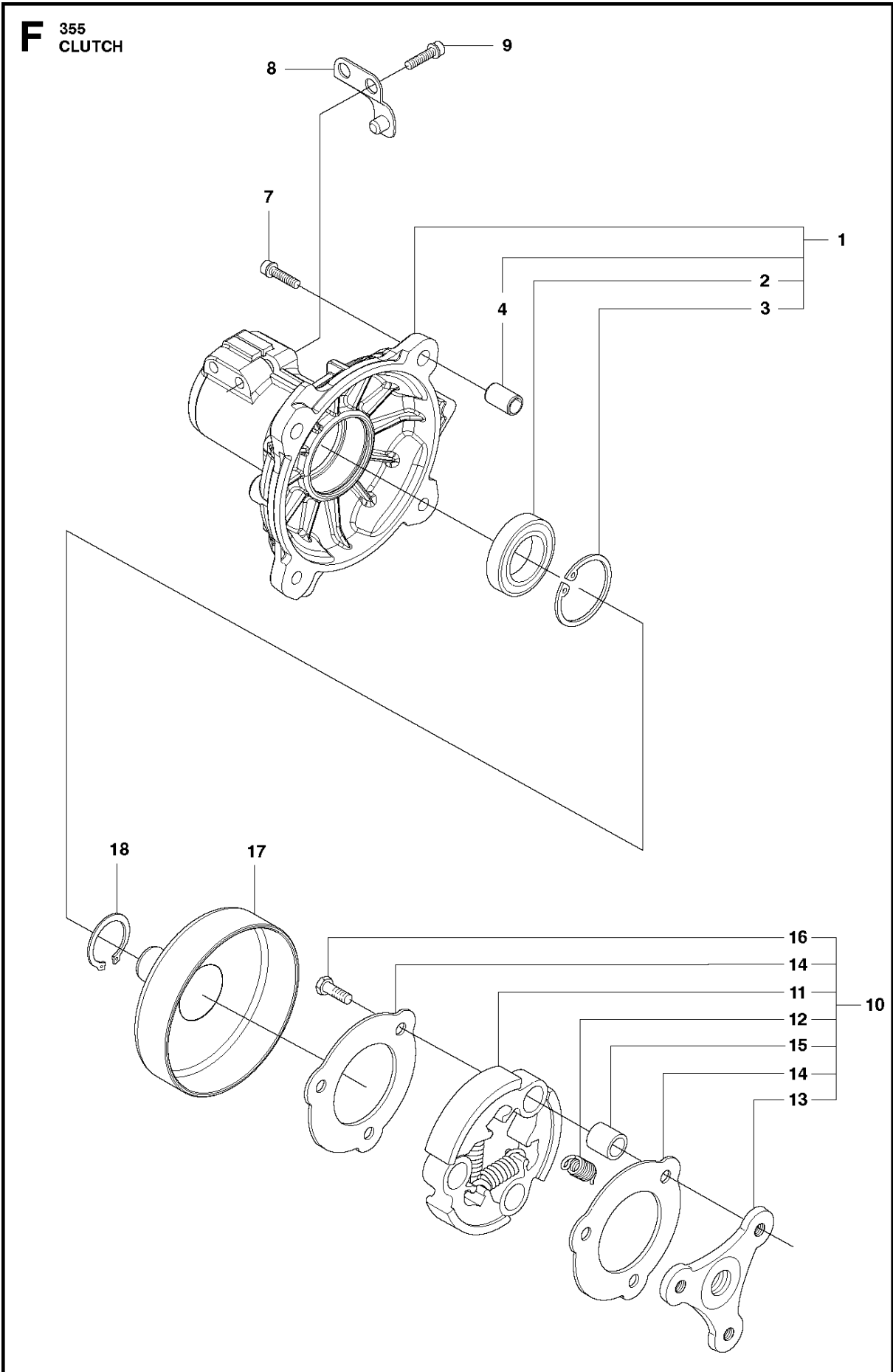
Ref	Part No	Description	Remark	QTY	KIT
1	504 20 98-04	THROTTLE HANDLE ASSY	Incl. Pos. 2-10	1	
2	537 18 08-11	HANDLE HALF		1	1
3	537 18 07-11	HANDLE HALF		1	1
4	537 16 07-01	THROTTLE LOCKOUT		1	1
5	506 49 77-01	THROTTLE CONTROL	Kit	1	1
6	537 17 42-01	SPRING THROTTLE TRIG		1	1
7	537 17 43-01	SPRING		1	1
8	503 21 66-18	SCREW IHSC T		2	1
9	503 20 07-35	SCREW IHSCFM		1	1
10	503 22 10-13	HEXAGON NUT		1	1
11	537 41 90-01	SWITCH		1	
12	537 17 28-03	HANDLE		1	
13	537 17 29-02	BRACKET		1	
14	503 20 02-45	SCREW IHSCFM		1	
15	731 23 14-05	HEXAGON NUT		1	
16	503 95 86-03	HANDLEBAR		1	
17	537 12 91-01	HANDLE BRACKET		1	
18	537 12 90-01	HANDLEBAR BRACKET		1	
19	502 20 38-01	KNOB		1	
20	725 23 84-85	SCREW EHHM		1	
21	503 20 07-78	SCREW IHSCFM		2	
22	502 28 21-01	WASHER		1	
23	544 20 31-01	WIRING	Rx, FRM	1	
23	544 20 31-02	WIRING	Only for model Fx. (Canada)	1	



FUEL TANK

355 FRM, 20192700001-Current

Ref	Part No	Description	Remark	QTY KIT
1	537 35 88-01	FUEL TANK		1
2	537 35 86-01	COVER		1
3	503 20 07-72	SCREW IHSCFM		1
4	503 20 07-76	SCREW IHSCFM		1
5	503 22 10-12	HEXAGON NUT		1
6	544 23 09-01	ANTIVIBRATION ELEMENT		2
7	544 21 53-01	BRACKET		1
8	544 21 54-01	FUEL HOSE		1
9	503 44 32-01	FUEL FILTER		1
10	503 20 07-76	SCREW IHSCFM		2
11	503 93 66-01	PURGE		1
12	544 34 86-01	HOSE CLAMP		1
13	504 11 32-01	TANK CAP		1
14	544 10 95-01	WIRING PROTECTION	Rx	1
14	544 10 95-02	WIRING PROTECTION	Fx, FxT, FRM	1
15	503 20 07-74	SCREW IHSCFM		1

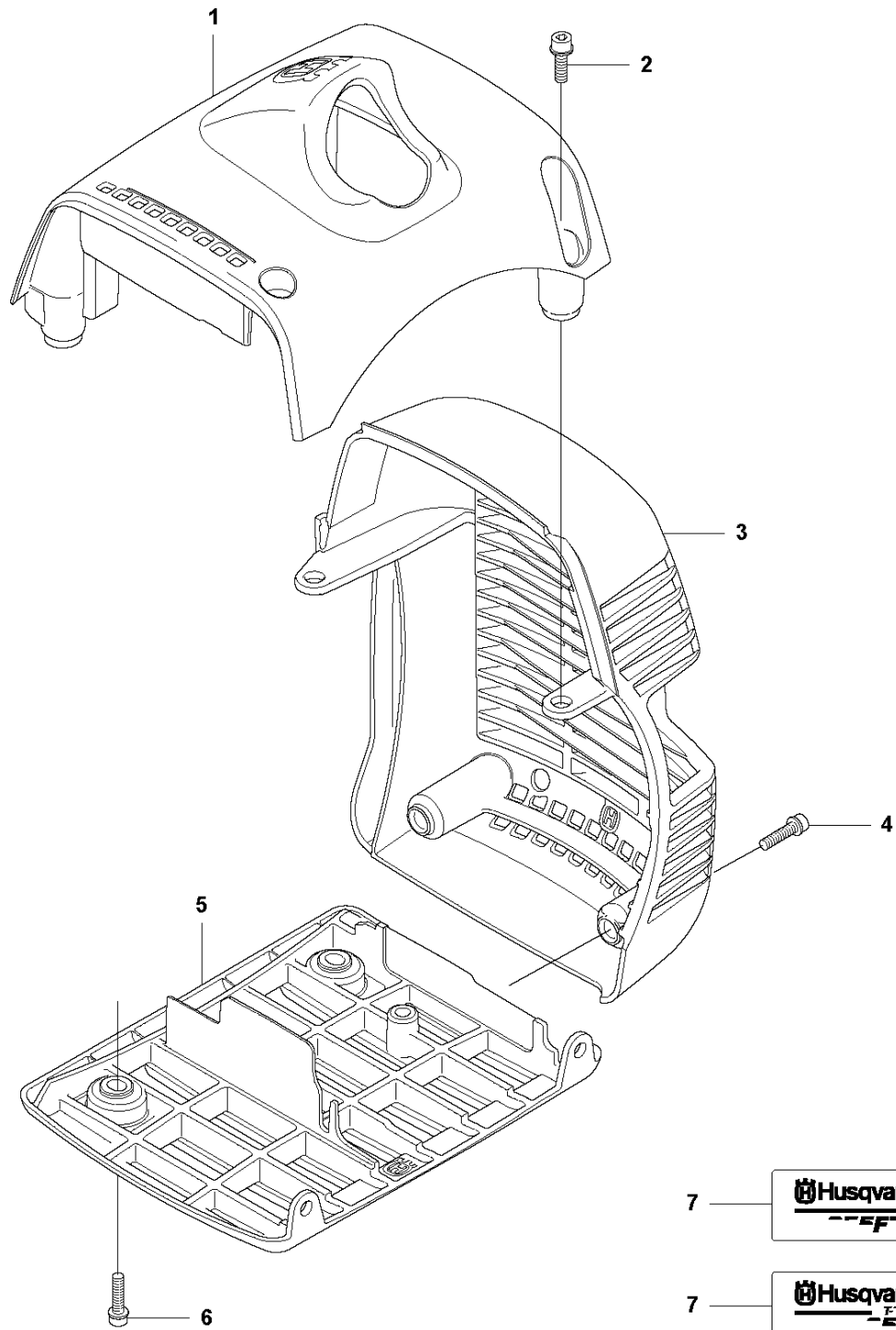


CLUTCH

355 FRM, 20192700001-Current

Ref	Part No	Description	Remark	QTY KIT	
1	597 51 92-01	CLUTCH COVER ASSY	from s/n 20191600181- Incl. pos. 2-4	1	
1	597 51 92-02	CLUTCH COVER ASSY	up to s/n - 20191600180. Incl. pos. 2-4	1	
2	738 22 02-19	BALL BEARING		1	1
3	735 31 33-10	CIRCLIP		1	1
4	593 80 60-01	GUIDE BUSHING	from s/n 20191600181	2	1
4	597 37 11-01	SLEEVE	up to s/n - 20191600180	2	1
7	503 20 07-78	SCREW IHSCFM		4	
8	544 29 48-01	LOCKING PLATE		1	
9	725 53 72-65	SCREW IHSCM		2	
10	537 40 40-02	CLUTCH ASSY	Incl. Pos. 11-16	1	
11	537 40 37-01	CLUTCH SHOE	1 clutch shoe only	1	10
12	505 43 53-01	CLUTCH SPRING	Ø 1.7 mm	3	10
13	537 40 36-01	CLUTCH HUB		1	10
14	544 89 28-01	WASHER		2	10
15	537 13 54-01	BEARING BUSH		3	10
16	503 20 18-02	SCREW EHHM		3	10
17	575 86 16-01	CLUTCH DRUM ASSY		1	
18	735 31 17-00	CIRCLIP		1	

G1 355
CYLINDER COVER



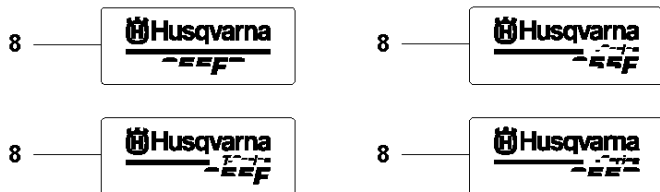
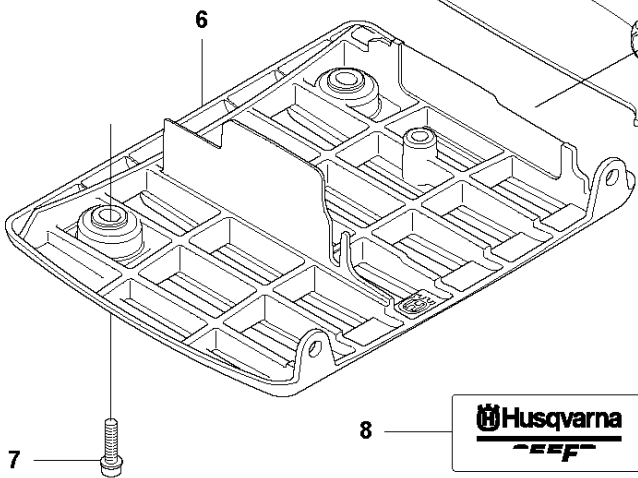
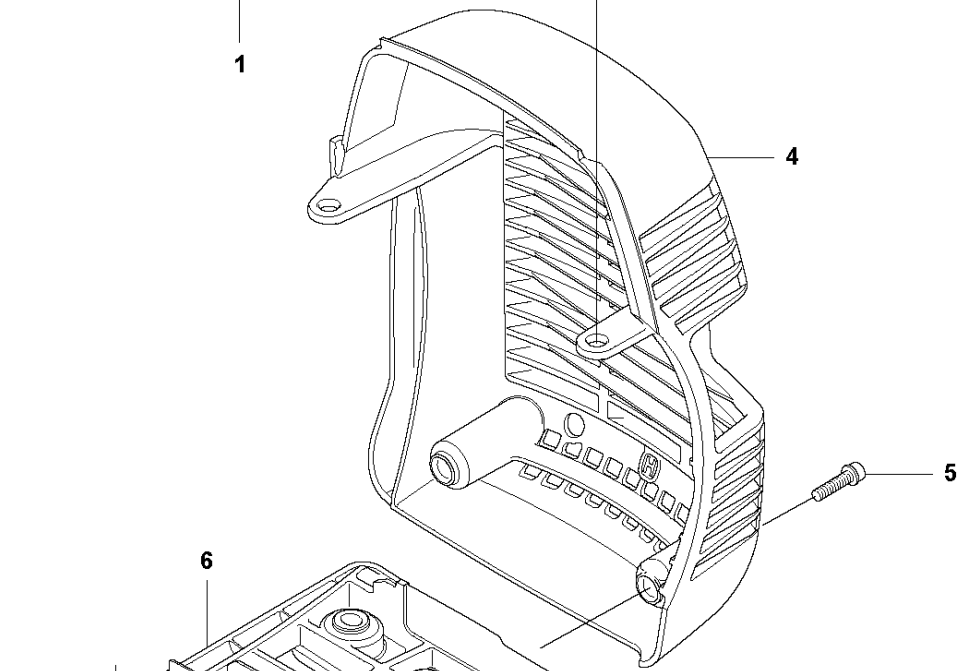
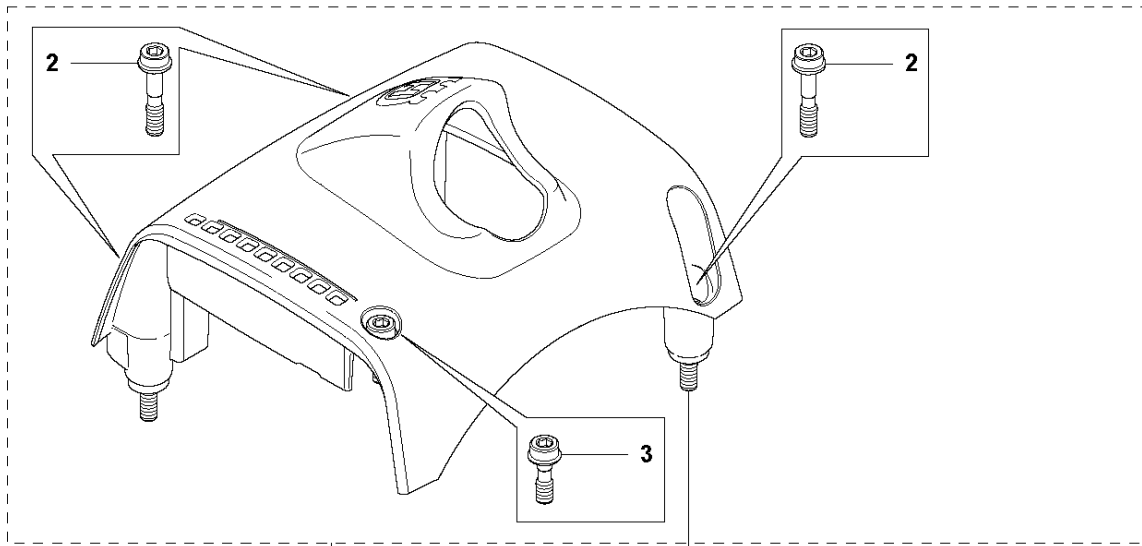
- 7 —
- 7 —
- 7 —
- 7 —

CYLINDER COVER

355 FRM, 20192700001-Current

Ref	Part No	Description	Remark	QTY KIT
1	544 08 12-02	CYLINDER COVER		1
2	503 20 07-76	SCREW IHSCFM		4
3	544 08 43-01	HEAT PROTECTOR		1
4	503 20 07-76	SCREW IHSCFM		2
5	505 49 26-01	PROTECTIVE COVER		1
6	503 20 07-76	SCREW IHSCFM		2
7	544 24 91-04	LABEL	Rx	1
7	544 24 91-01	LABEL	Fx	1
7	544 24 91-02	LABEL	FxT	1
7	544 24 91-05	LABEL	FRM	1

G2 355 CYLINDER COVER

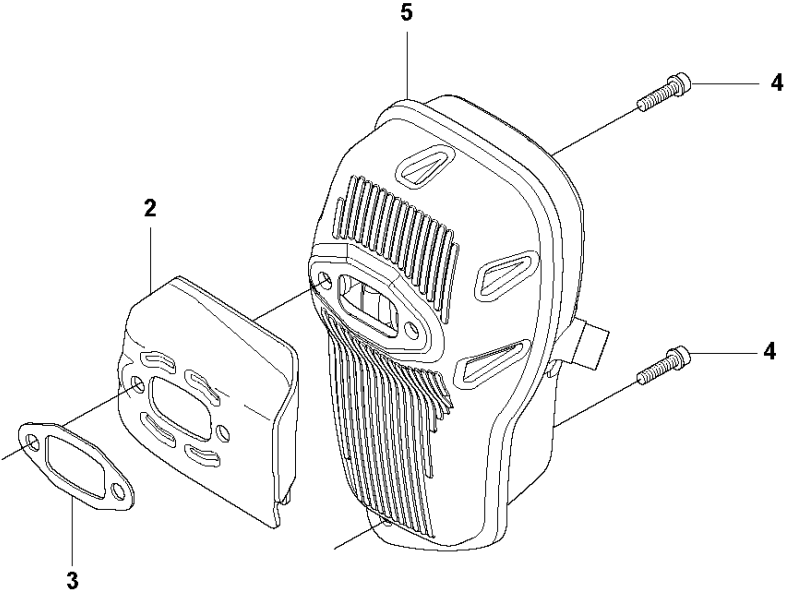
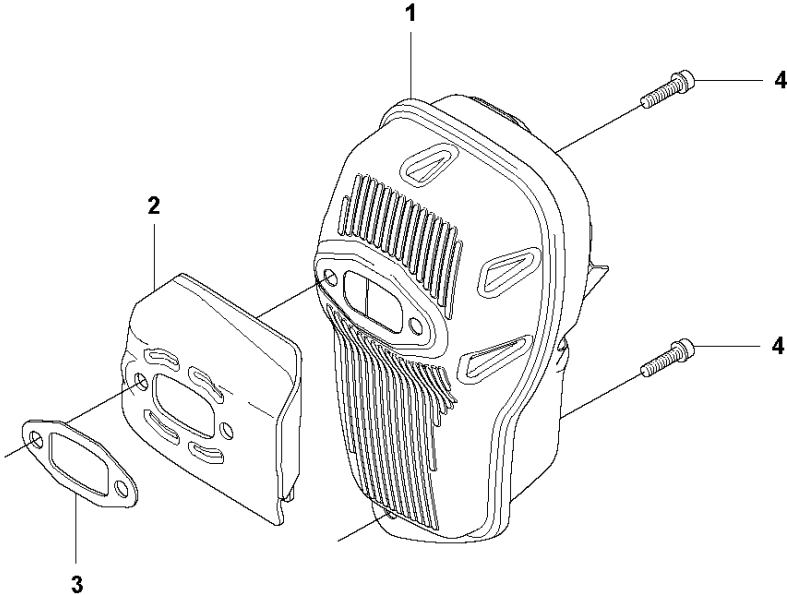


CYLINDER COVER

355 FRM, 20192700001-Current

Ref	Part No	Description	Remark	QTY	KIT
1	575 51 14-01	CYLINDER COVER ASSY	Spare part incl. Screws Pos. 2-3	1	
2	573 99 43-04	SCREW IHSCFMO	Captive Screw M5	3	1
3	573 99 43-01	SCREW IHSCFMO	Captive Screw M5	1	1
4	544 08 43-01	HEAT PROTECTOR		1	
5	503 20 07-76	SCREW IHSCFM		2	
6	505 49 26-01	PROTECTIVE COVER		1	
7	503 20 07-76	SCREW IHSCFM		2	
8	544 24 91-04	LABEL	Rx	1	
8	544 24 91-01	LABEL	Fx	1	
8	544 24 91-02	LABEL	FxT	1	
8	544 24 91-05	LABEL	FRM	1	

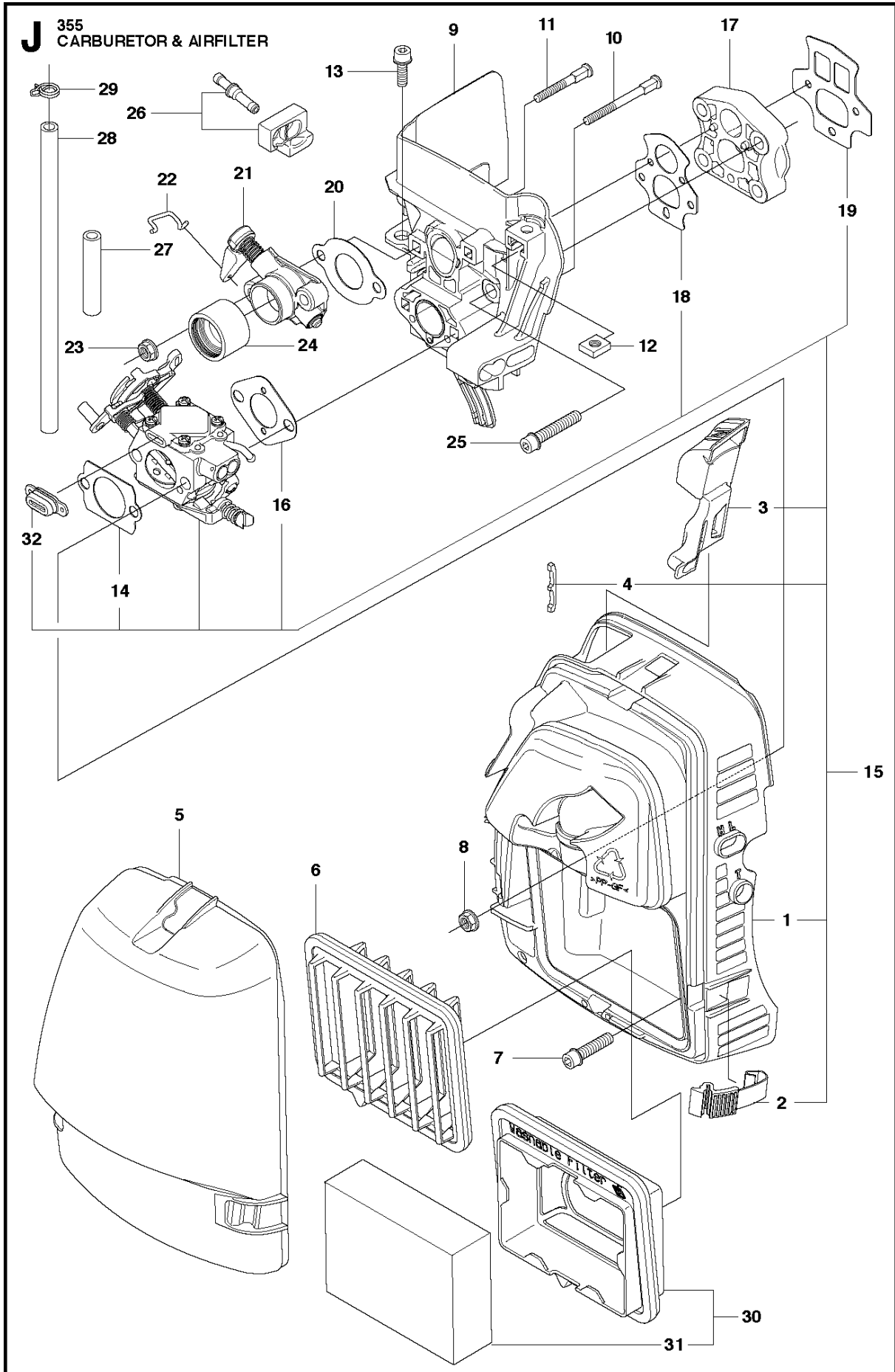
H 355
MUFFLER



MUFFLER

355 FRM, 20192700001-Current

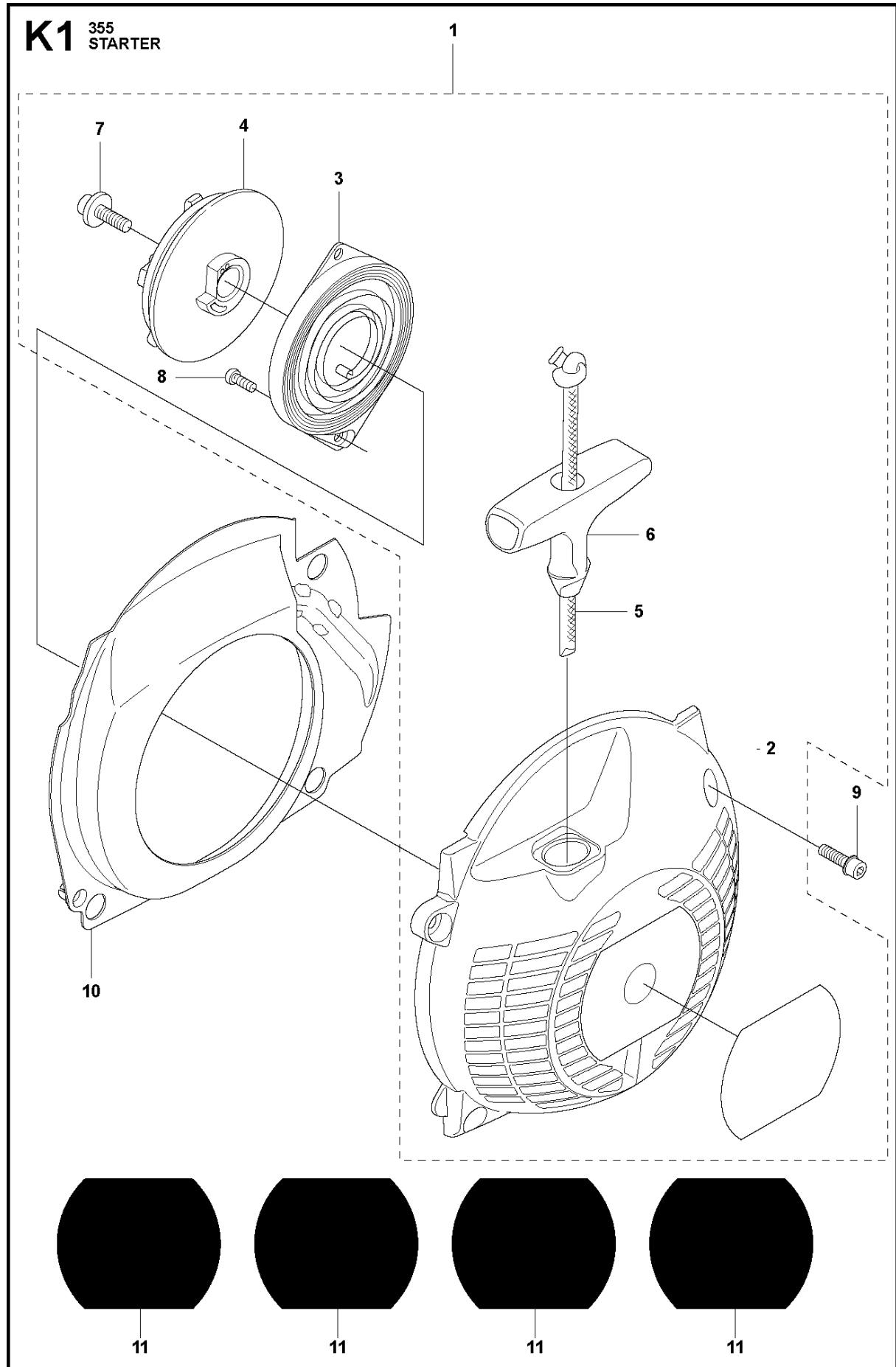
Ref	Part No	Description	Remark	QTY KIT
1	537 36 03-01	MUFFLER ASSY	Mesh	1
2	537 34 57-01	PLATE		1
3	503 82 11-01	GASKET		1
4	503 20 02-20	SCREW IHSCFM		3
5	504 03 79-01	MUFFLER	Pipe	1



CARBURETOR & AIR FILTER

355 FRM, 20192700001-Current

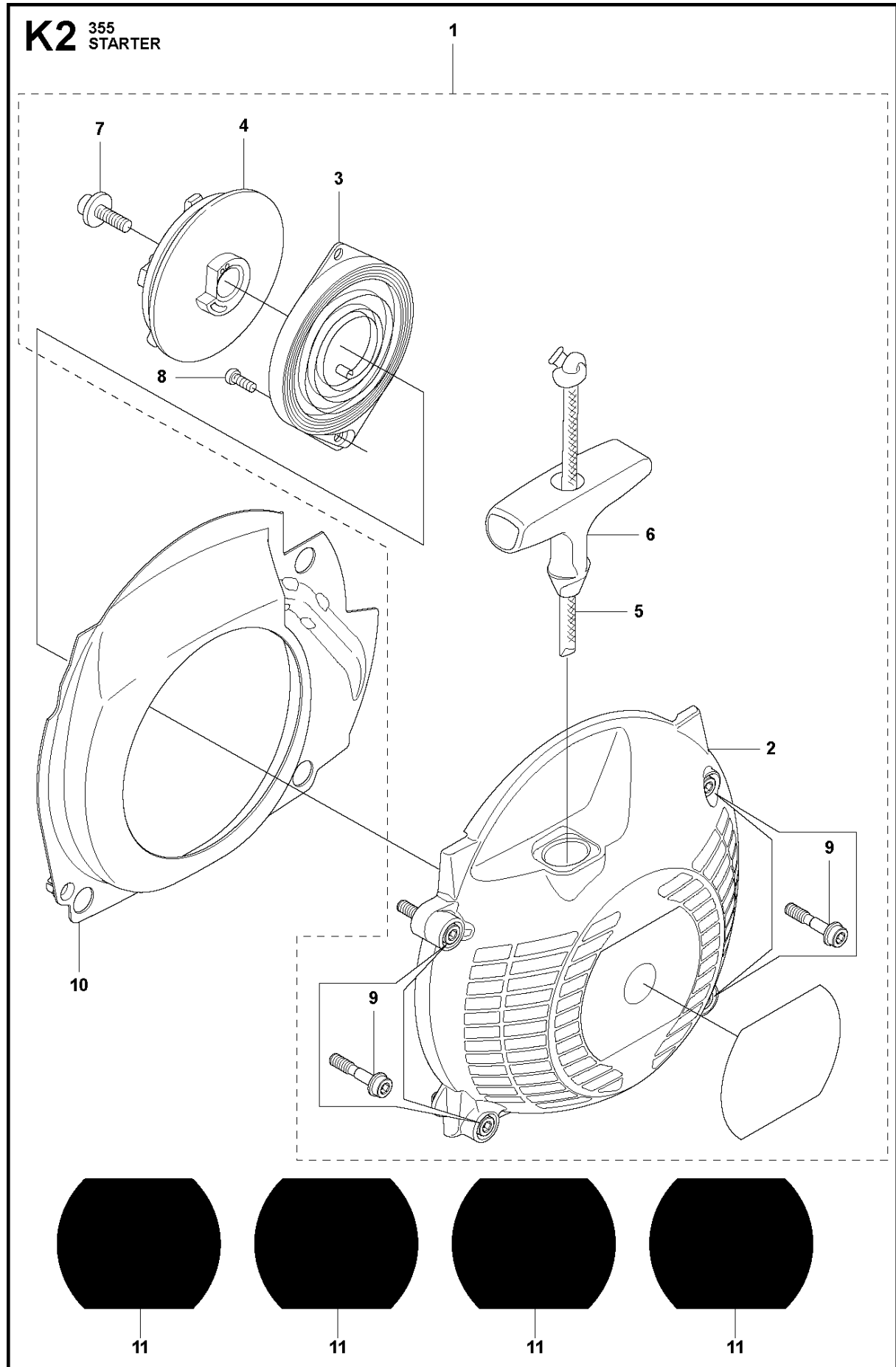
Ref	Part No	Description	Remark	QTY	KIT
1	537 41 25-03	FILTER HOLDER		1	15
2	503 74 01-02	SNAP LOCKING		3	1, 15
3	537 35 26-01	CHOKE CONTROL		1	1, 15
4	537 38 78-01	GROMMET		1	1, 15
5	537 41 01-01	FILTER COVER		1	
6	537 41 08-01	FILTER	Nylon 80/32 Winter	1	
6	537 41 08-02	FILTER	Nylon 44/27	1	
6	537 41 08-03	FILTER	Flock	1	
7	503 20 07-76	SCREW IHSCFM		2	
8	731 71 14-51	HEXAGON NUT FLANGE		2	
9	537 35 04-01	INSULATION WALL		1	
10	503 98 81-01	SCREW		2	
11	503 98 81-04	SCREW		2	
12	503 22 65-04	SQUARE NUT		1	
13	503 20 07-76	SCREW IHSCFM		1	
14	544 42 99-01	GASKET		1	15
15	586 15 40-01	CARBURETTOR KIT		1	
16	510 04 37-01	GASKET		1	15
17	544 04 33-01	MANIFOLD		1	
18	544 04 30-01	GASKET		1	15
19	544 04 31-01	GASKET		1	15
20	544 16 08-01	GASKET		1	
21	544 21 40-01	VALVE HOUSING		1	
22	544 84 78-01	LINK		1	
23	731 71 14-51	HEXAGON NUT FLANGE		2	
24	537 41 05-01	INLET PIPE		1	
25	503 20 07-80	SCREW IHSCFM		4	
26	544 16 15-01	GROMMET	Kit	1	
27	537 42 58-02	SUCTION HOSE		1	
28	544 32 49-14	FUEL HOSE		1	
29	544 34 86-01	HOSE CLAMP		1	
30	505 03 47-01	FILTER	Rx, Incl. Pos. 31	1	
31	505 03 10-02	FILTER		1	30
32	577 96 93-01	SEALING PLUG		1	15



STARTER

355 FRM, 20192700001-Current

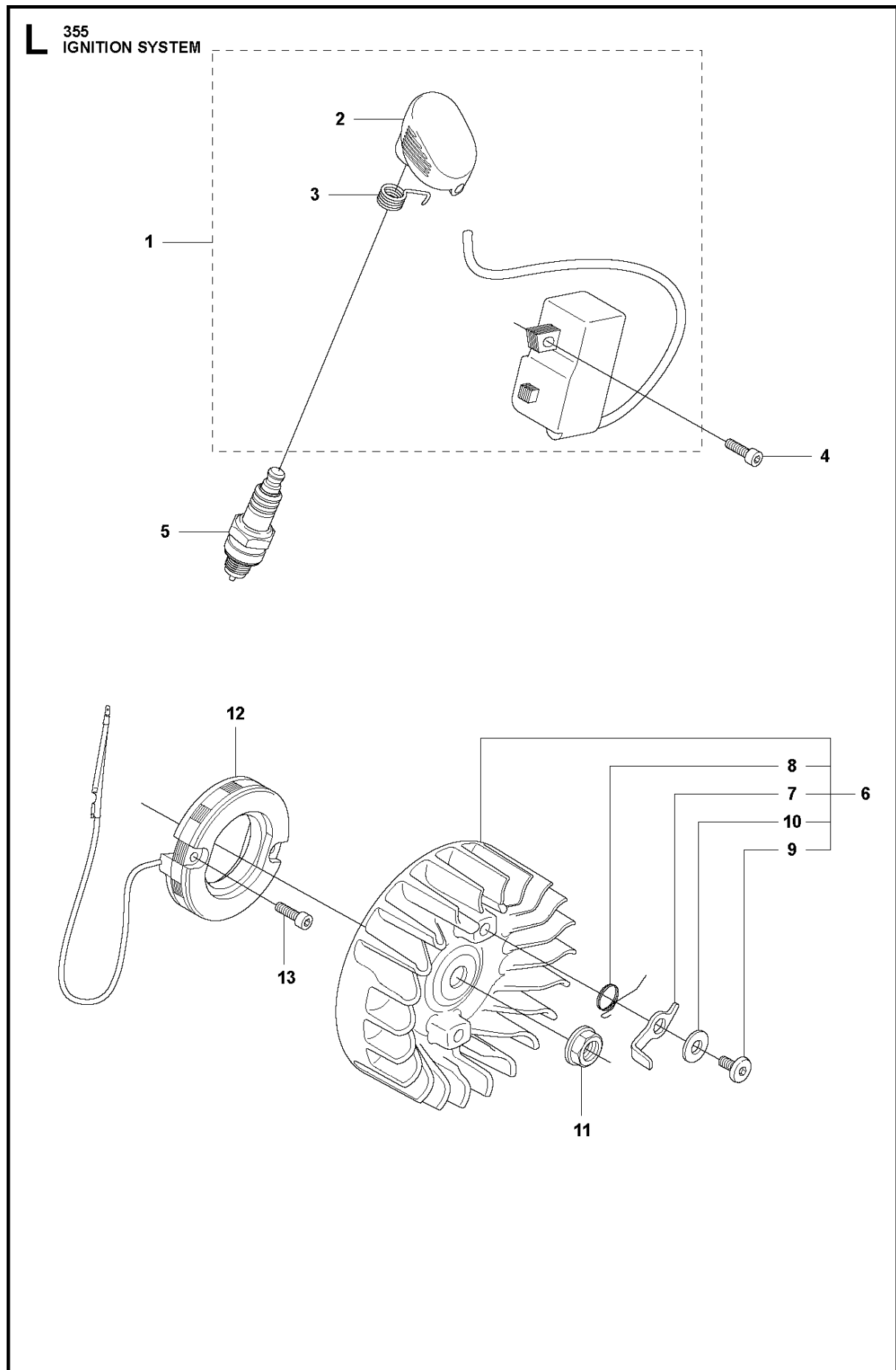
Ref	Part No	Description	Remark	QTY	KIT
1	537 34 54-01	STARTER	Incl. Pos. 2-8	1	
2	544 09 58-01	STARTER HOUSING		1	1
3	502 20 06-01	SPRING CASSETTE ASSY		1	1
4	503 95 73-01	STARTER PULLEY		1	1
5	505 30 51-25	STARTER CORD		1	1
6	537 23 25-01	STARTER HANDLE		1	1
7	503 21 69-16	SCREW IHST		1	1
8	503 21 29-06	SCREW CCRPANT		2	1
9	503 20 07-76	SCREW IHSCFM		4	
10	537 34 56-01	AIR CONDUCTOR		1	
11	544 24 90-04	LABEL	Rx	1	
11	544 24 90-01	LABEL	Fx	1	
11	544 24 90-02	LABEL	FxT	1	
11	544 24 90-05	LABEL	FRM	1	



STARTER

355 FRM, 20192700001-Current

Ref	Part No	Description	Remark	QTY KIT	
1	575 51 17-01	STARTER ASSY	Incl. Pos. 2-9	1	
2	575 51 26-01	STARTER HOUSING	Spare part incl. Screws Pos. 9	1	1
3	502 20 06-01	SPRING CASSETTE ASSY		1	1
4	503 95 73-01	STARTER PULLEY		1	1
5	505 30 51-25	STARTER CORD		1	1
6	537 23 25-01	STARTER HANDLE		1	1
7	503 21 69-16	SCREW IH SCT		1	1
8	503 21 29-06	SCREW CCRPANT		2	1
9	573 99 43-04	SCREW IHSCFMO	Captive Screw M5	4	1, 2
10	537 34 56-01	AIR CONDUCTOR		1	
11	544 24 90-04	LABEL	Rx	1	
11	544 24 90-01	LABEL	Fx	1	
11	544 24 90-02	LABEL	FxT	1	
11	544 24 90-05	LABEL	FRM	1	

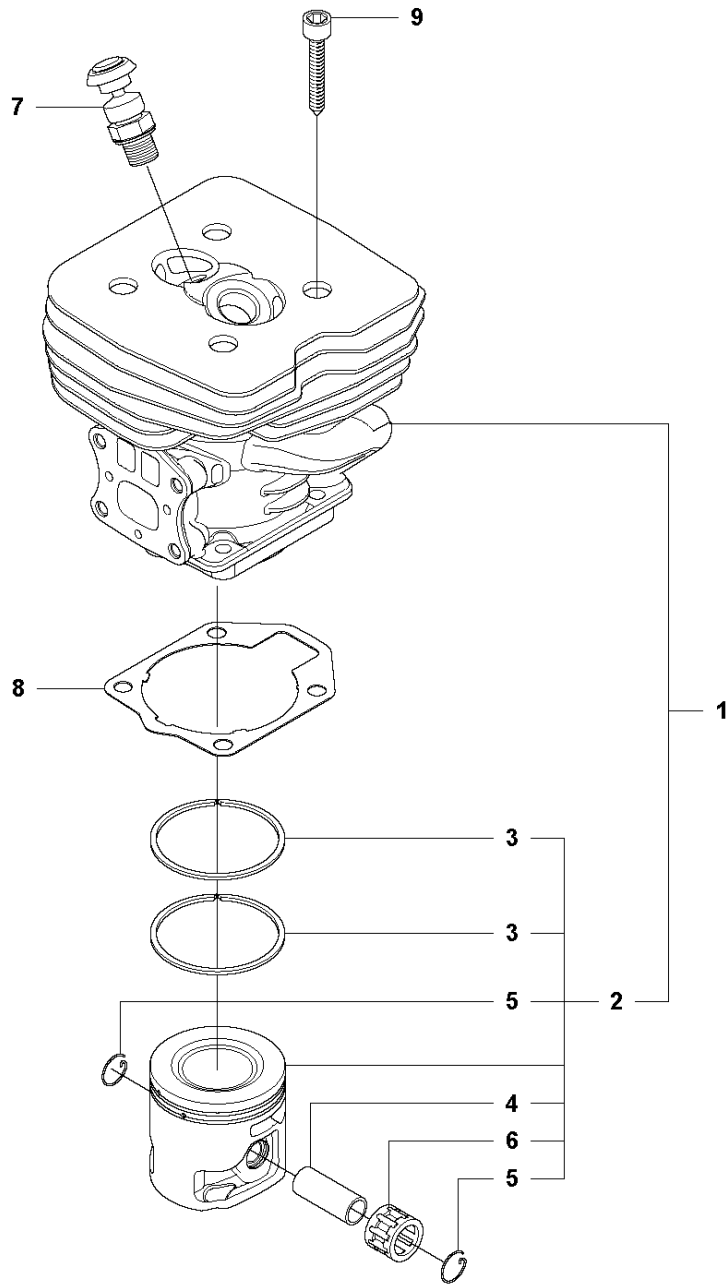


IGNITION SYSTEM

355 FRM, 20192700001-Current

Ref	Part No	Description	Remark	QTY	KIT
1	504 70 87-01	IGNITION MODULE	Pos. 2-3	1	
2	537 41 22-01	SPARK PLUG CAP		1	1
3	501 48 56-01	CONTACT SPRING		1	1
4	503 20 25-16	SCREW IHSCM		2	
5	503 23 51-11	SPARK PLUG	NGK BPMR7A	1	
6	537 24 05-01	FLYWHEEL ASSY	Rx, Fx, FRM Incl. Pos. 7-10	1	
6	537 24 05-02	FLYWHEEL ASSY	FxT Incl. Pos. 7-10	1	
7	503 81 24-01	STARTER PAWL		2	6
8	503 81 29-01	SPRING		2	6
9	501 81 99-03	SCREW		2	6
10	503 23 00-42	WASHER		2	6
11	503 22 04-01	NUT		1	
12	537 25 63-02	GENERATOR STATOR	FxT	1	
13	544 44 43-01	SCREW IH SCT	FxT	2	

M 355
CYLINDER & PISTON

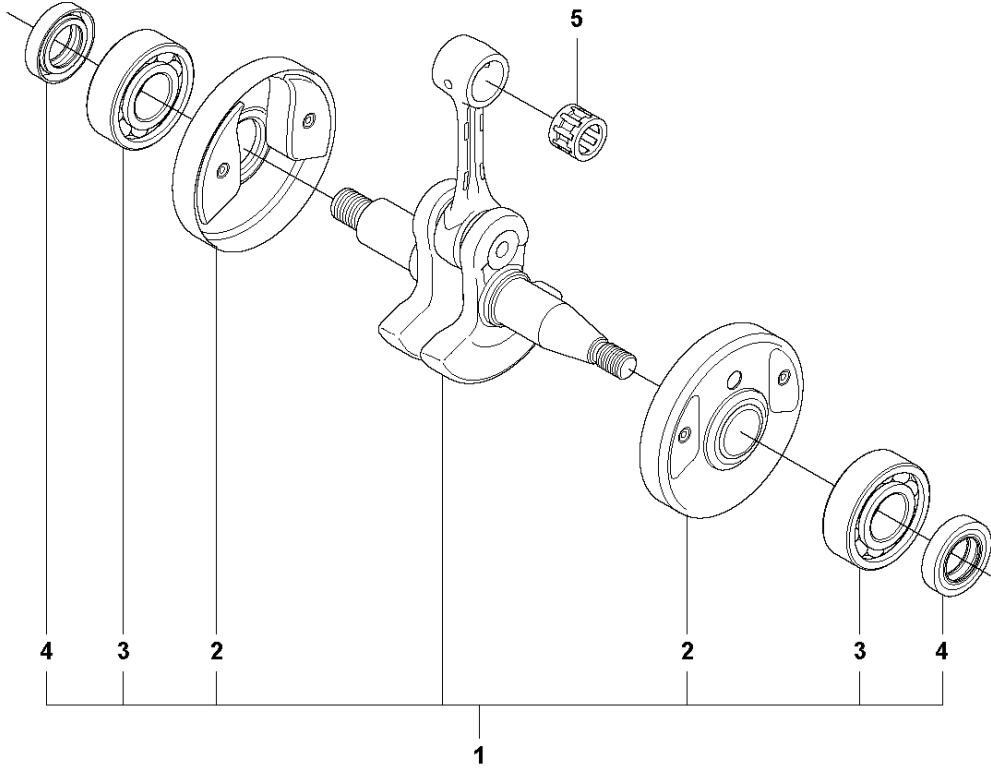


CYLINDER PISTON

355 FRM, 20192700001-Current

Ref	Part No	Description	Remark	QTY	KIT
1	544 98 60-02	CYLINDER ASSY	Incl. Pos. 2-6	1	
2	576 95 48-01	PISTON ASSY	Incl. Pos. 3-6	1	1
3	502 65 39-01	PISTON RING		2	1, 2
4	505 49 57-01	PISTON PIN		1	1, 2
5	505 49 58-01	CIRCLIP		2	1, 2
6	503 25 63-01	NEEDLE BEARING		1	1, 2
7	544 20 00-01	DECOMPRESSION VALVE		1	
8	537 34 68-01	GASKET		1	
9	725 53 33-55	SCREW IHSCM		4	

N 355
CRANK SHAFT



CRANKSHAFT

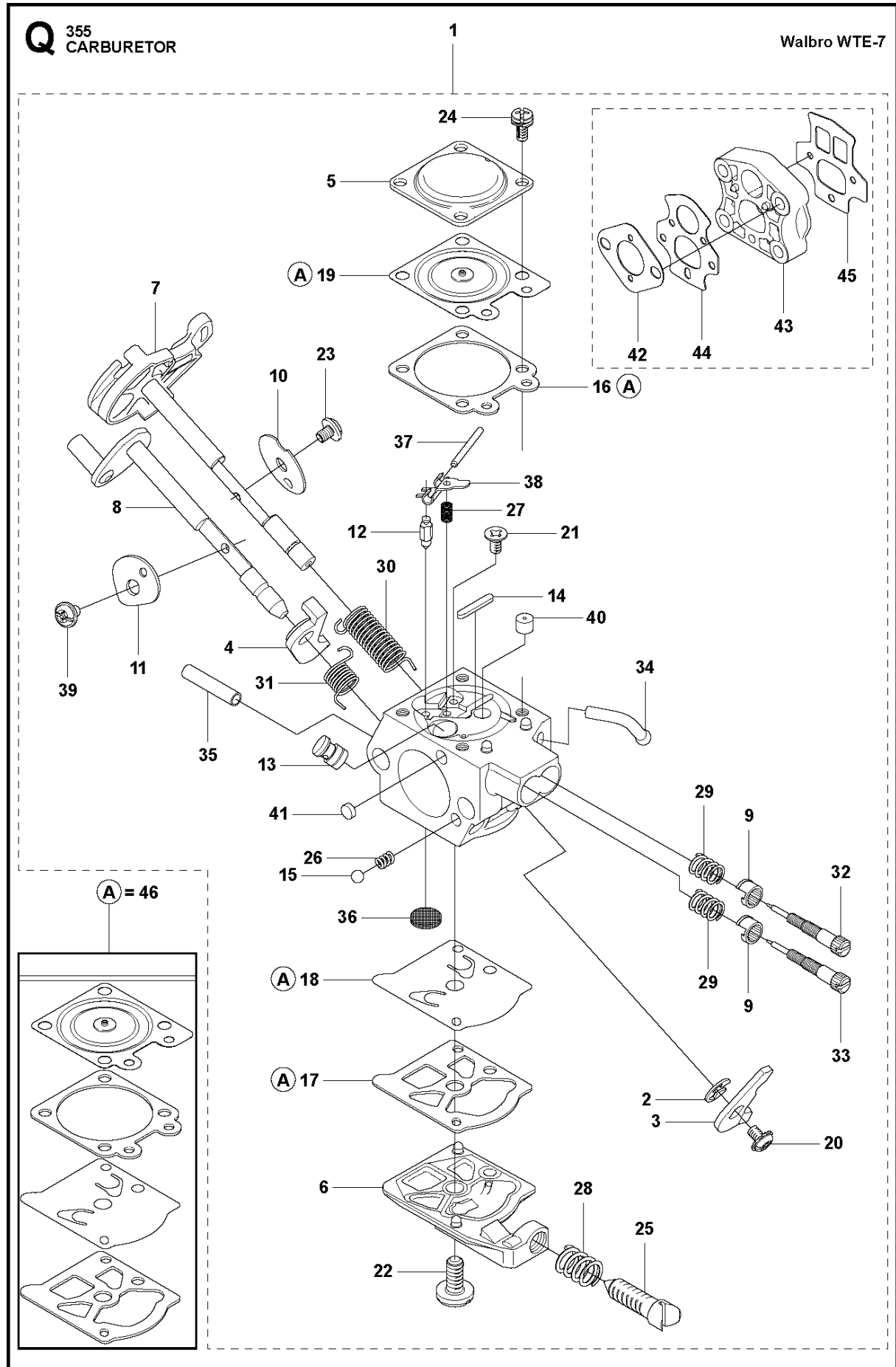
355 FRM, 20192700001-Current

Ref	Part No	Description	Remark	QTY	KIT
1	544 95 26-02	CRANKSHAFT	Incl. Pos. 2-4	1	
2	544 01 01-01	CUP		2	1
3	503 25 08-01	BEARING		2	1
4	503 26 02-04	SEALING RING		2	1
5	501 45 16-01	NEEDLE BEARING		1	

CRANKCASE

355 FRM, 20192700001-Current

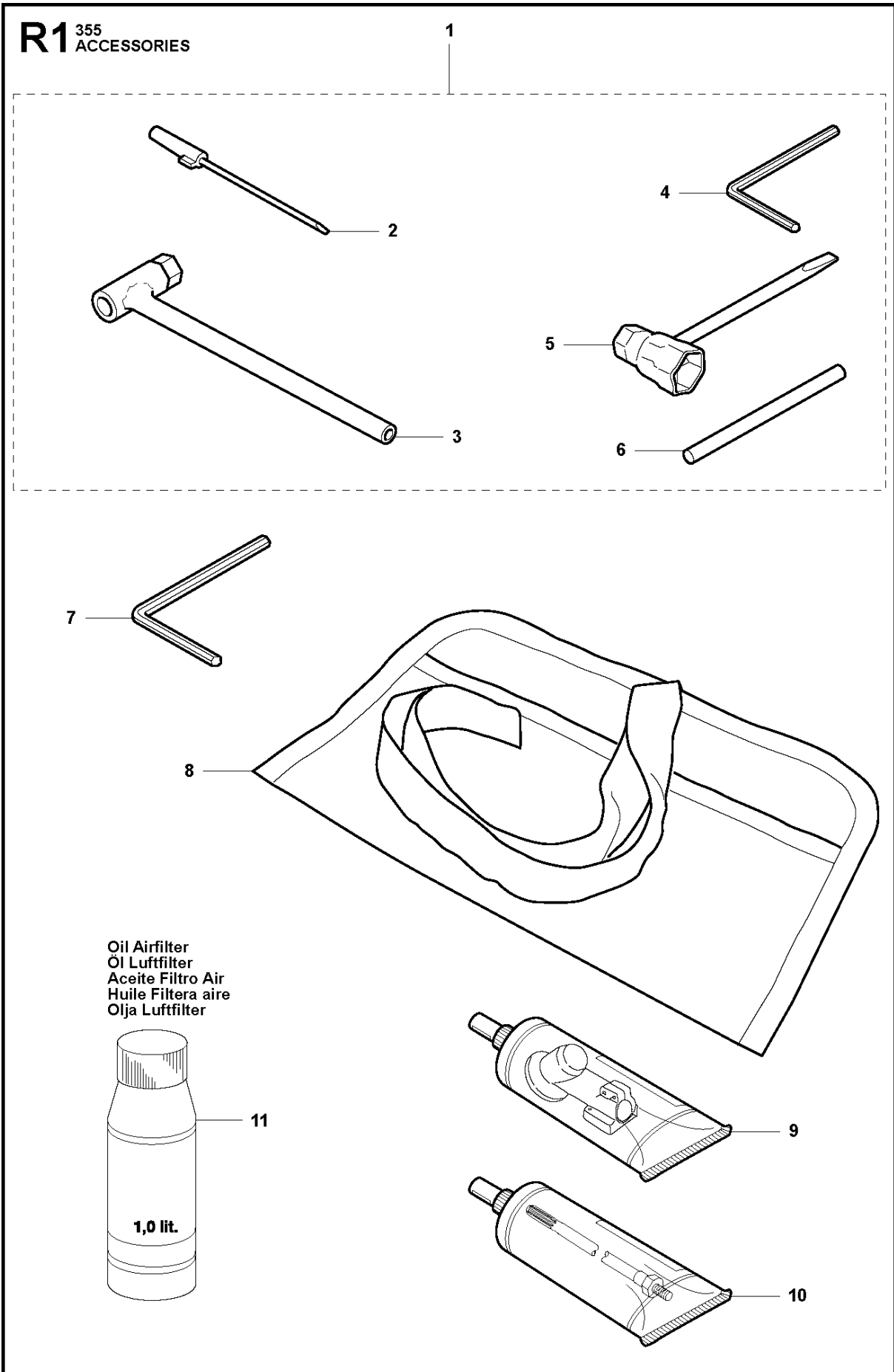
Ref	Part No	Description	Remark	QTY	KIT
1	503 91 15-01	CRANKCASE ASSY	up to s/n - 20191600180	1	
2	503 25 08-01	BEARING		2	13
3	593 80 60-01	GUIDE BUSHING	from s/n 20175100007 -	2	1, 13
3	720 13 07-10	PARALLEL PIN	up to s/n - 20175100006	2	1, 13
4	503 26 02-04	SEALING RING		2	13
5	590 18 23-01	GASKET	from s/n 20175100007 -	1	13
5	537 34 67-01	GASKET	up to s/n - 20175100006	1	13
6	503 20 02-30	SCREW IHSCFM		5	13
7	544 09 45-01	NOZZLE		1	
8	503 20 25-16	SCREW IHSCM		1	
9	544 09 44-01	CABLE HOLDER		1	
10	540 07 01-01	RETAINER		1	
11	544 33 18-01	SHORT CIRCUIT CABLE		1	
12	501 04 44-01	RETAINER		2	
13	544 95 25-03	CRANKCASE	from s/n 20191600181	1	



CARBURETOR

355 FRM, 20192700001-Current

Ref	Part No	Description	Remark	QTY	KIT
1	510 24 20-01	CARBURETTOR	Walbro WTE7 Incl. Pos. 2-45	1	
2	505 31 67-36	RING		1	1
3	544 97 07-01	LEVER		1	1
4	544 17 77-01	LEVER		1	1
5	505 31 67-54	LOCK STYRMEMBRAN		1	1
6	503 58 43-01	COVER		1	1
7	544 04 36-01	SHAFT		1	1
8	544 04 40-01	SHAFT		1	1
9	544 97 08-01	LIMITER CAP		2	1
10	505 42 71-01	VALVE		1	1
11	537 10 96-01	VALVE		1	1
12	503 56 34-01	NEEDLE VALVE		1	1
13	502 84 68-01	NOZZLE ASSY		1	1
14	502 84 69-01	PLUG		1	1
15	501 46 85-01	BALL		1	1
16	504 35 09-06	GASKET		1	1, 42
17	504 13 09-06	GASKET		1	1, 42
18	502 21 36-01	DIAPHRAGM PUMP		1	1, 42
19	502 84 70-01	DIAPHRAGM		1	1, 42
20	501 46 87-01	SCREW		1	1
21	502 84 71-01	SCREW		1	1
22	501 46 69-01	SCREW		1	1
23	537 00 34-01	SCREW		1	1
24	503 10 87-01	SCREW		4	1
25	537 40 82-01	SCREW		1	1
26	501 46 84-01	SPRING		1	1
27	501 79 59-01	SPRING		1	1
28	501 66 78-01	SPRING		1	1
29	544 97 10-01	SPRING		2	1
30	544 17 76-01	SPRING		1	1
31	544 97 11-01	SPRING		1	1
32	502 84 72-01	NEEDLE		1	1
33	502 84 73-01	NEEDLE		1	1
34	544 97 15-01	FITTING		1	1
35	544 97 16-01	FITTING		1	1
36	501 66 61-01	SCREEN		1	1
37	505 52 01-25	PIN		1	1
38	502 84 74-01	LEVER		1	1
39	544 11 15-01	SCREW		1	1
40	505 42 69-01	JET		1	1
41	503 57 43-01	PLUG		1	1
42	TBD	TBD	Delivered with 510 24 20-01. Separate spare part, see page J.	1	1
43	TBD	TBD	Delivered with 510 24 20-01. Separate spare part, see page J.	1	1
44	TBD	TBD	Delivered with 510 24 20-01. Separate spare part, see page J.	1	1
45	TBD	TBD	Delivered with 510 24 20-01. Separate spare part, see page J.	1	1
46	515 99 96-01	GASKET KIT		1	

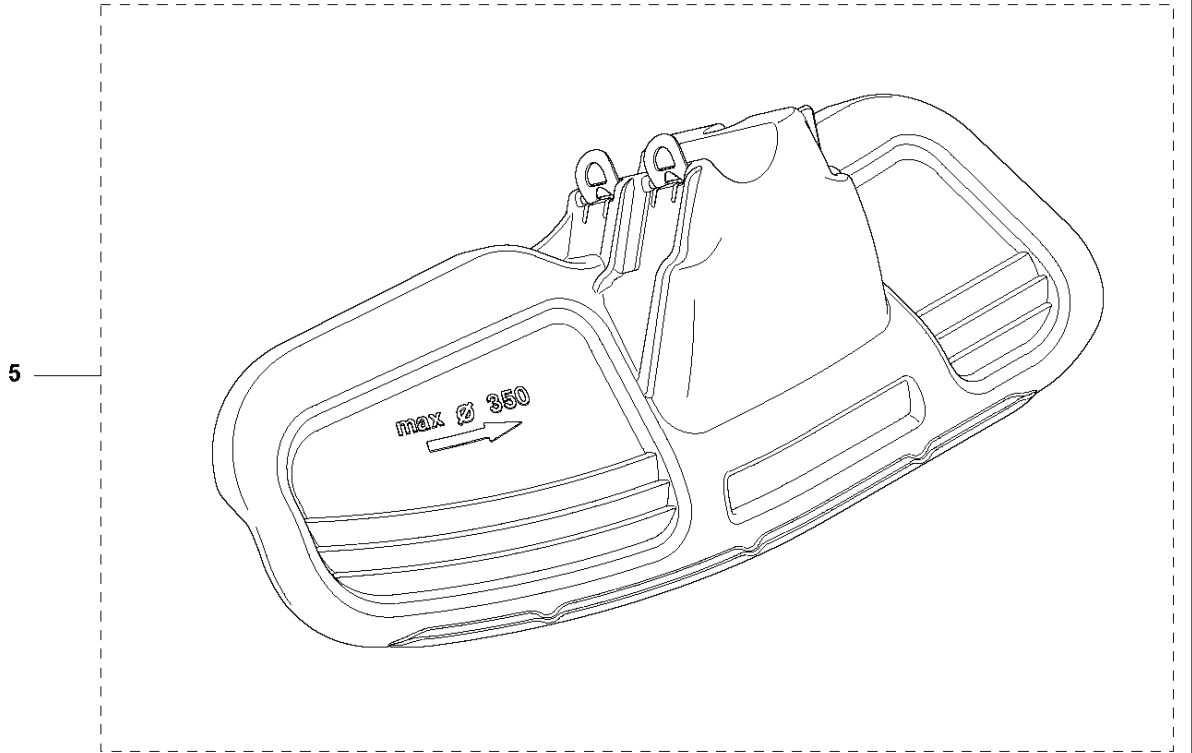
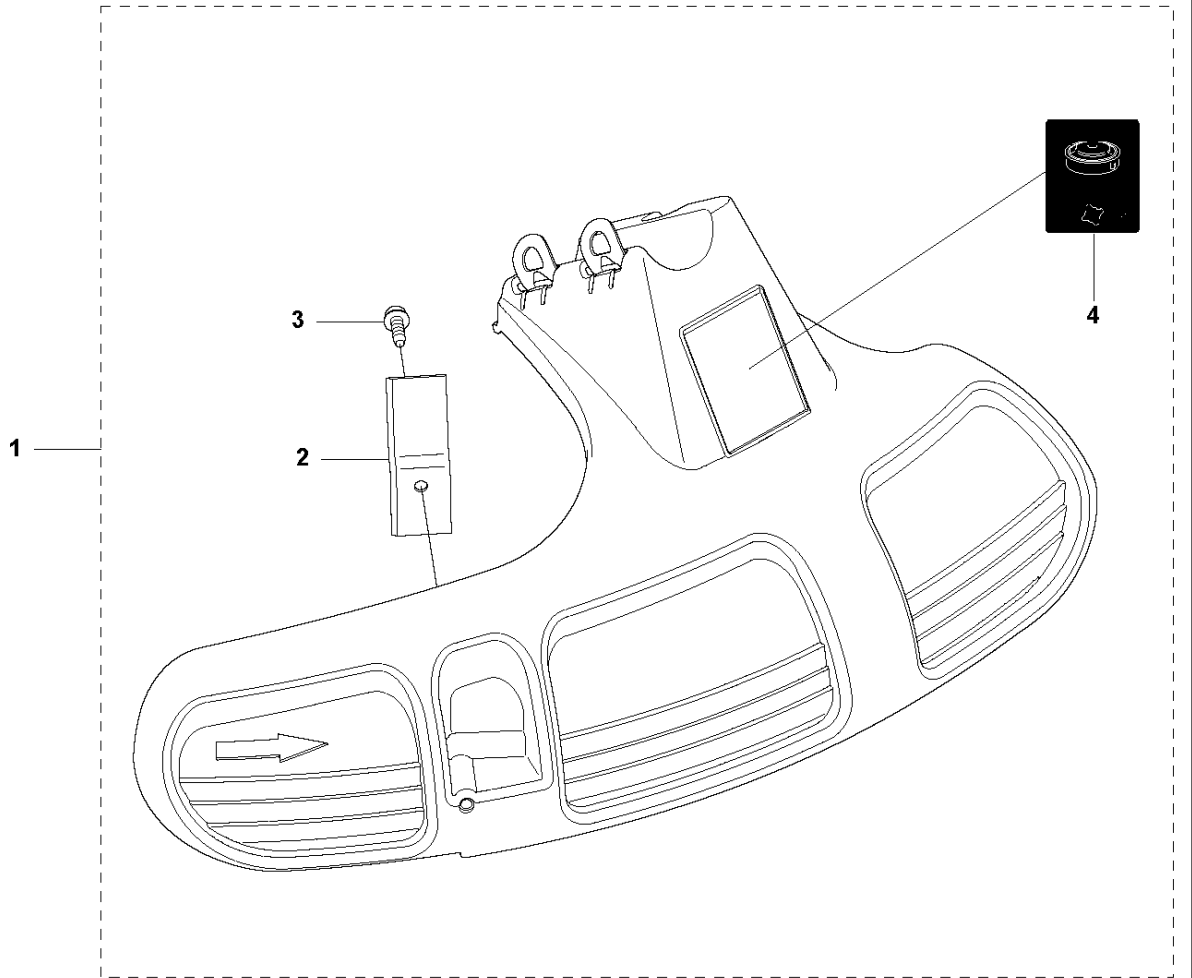


ACCESSORIES

355 FRM, 20192700001-Current

Ref	Part No	Description	Remark	QTY	KIT
1	502 21 60-15	ACCESSORY BAG	Pos. 2-6	1	
2	501 60 02-03	SCREWDRIVER		1	1
3	502 11 46-03	KEY		1	1
4	502 21 58-01	WRENCH	4mm	1	1
5	501 69 17-01	COMBINATION WRENCH		1	1
6	502 28 59-01	STOP		1	1
7	503 55 86-05	SPANNER	5mm	1	
8	501 19 22-01	TOOL		1	
9	503 97 64-01	GREASE		1	
10	503 80 17-01	GREASE		1	
11	531 00 92-48	FILTER OIL	Filter oil	1	

R2 355Rx
ACCESSORIES

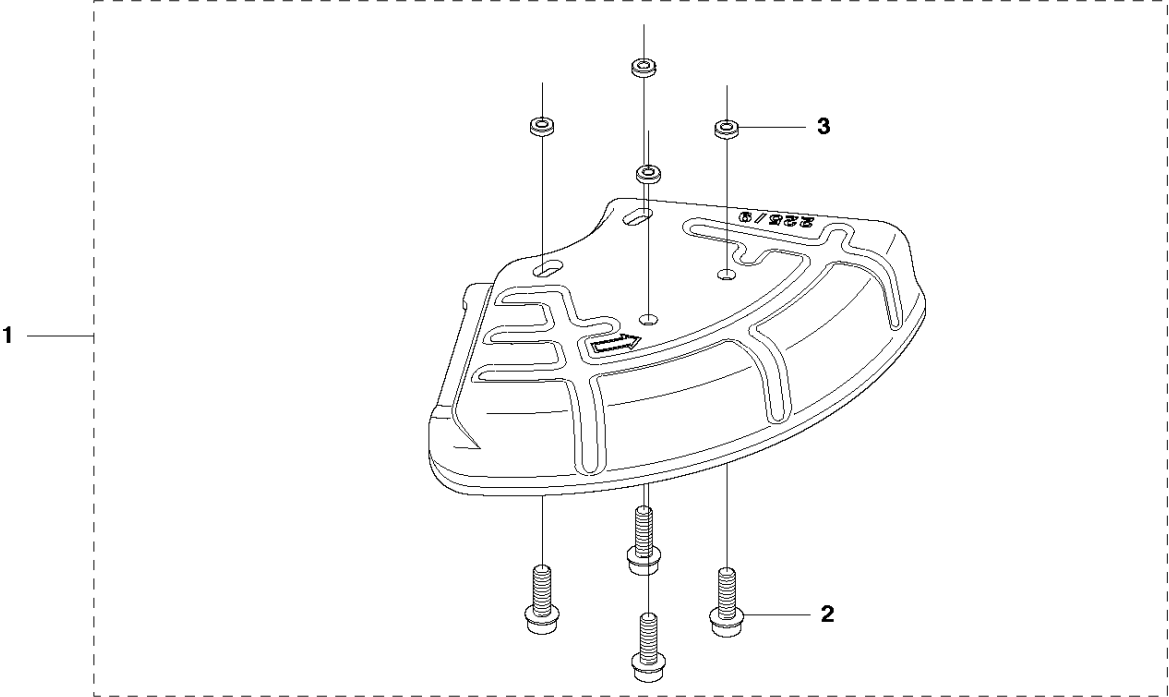


ACCESSORIES

355 FRM, 20192700001-Current

Ref	Part No	Description	Remark	QTY	KIT
1	544 10 74-02	TRIMMER GUARD ASSY	Rx Incl. Pos. 2-4	1	
2	537 28 53-01	BLADE		1	1
3	503 21 07-16	SCREW IHSCT		1	1
4	503 74 29-01	DECAL		1	1
5	544 16 03-01	TRIMMER GUARD ASSY	Rx	1	

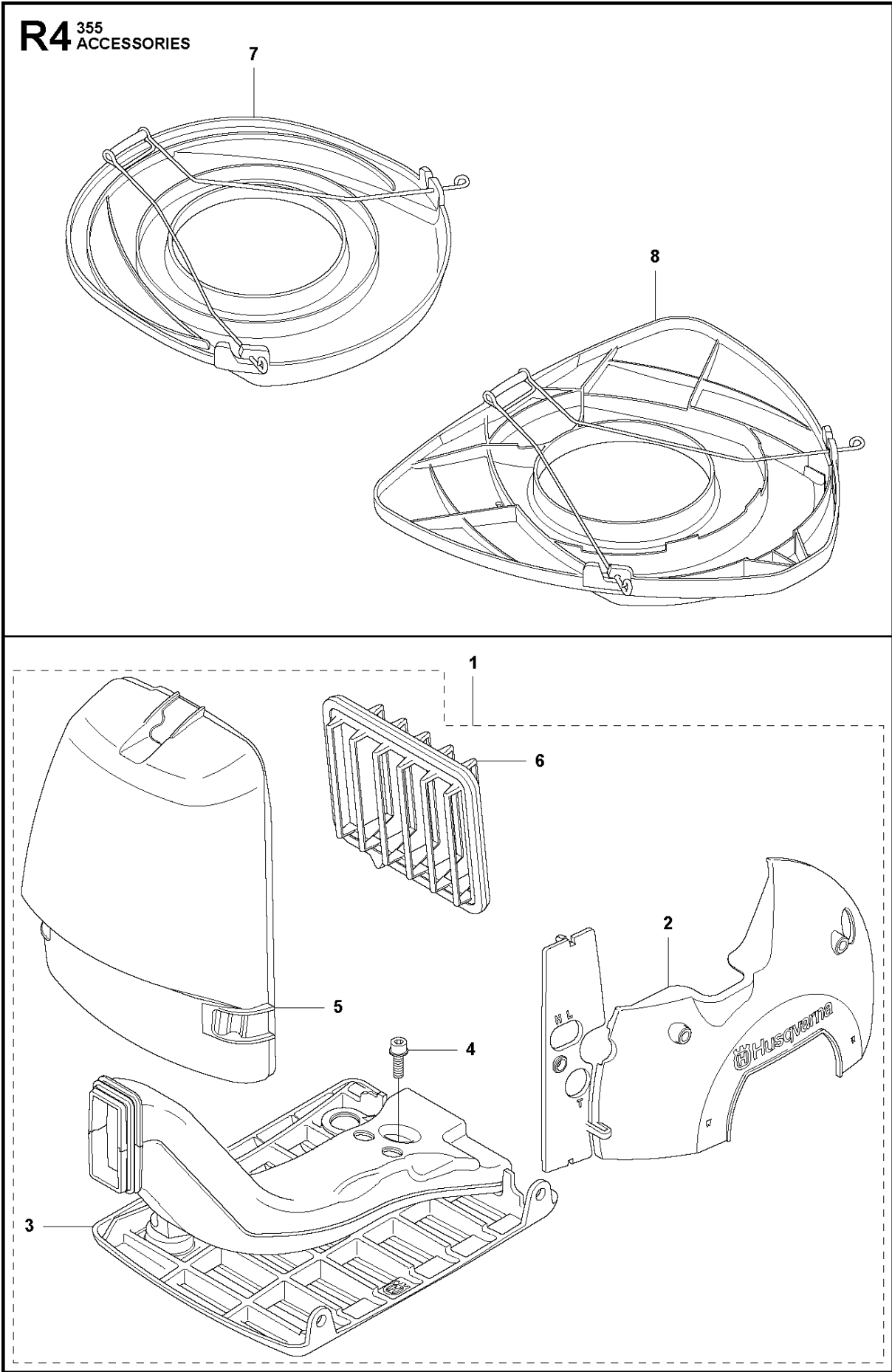
R3 355
ACCESSORIES



ACCESSORIES

355 FRM, 20192700001-Current

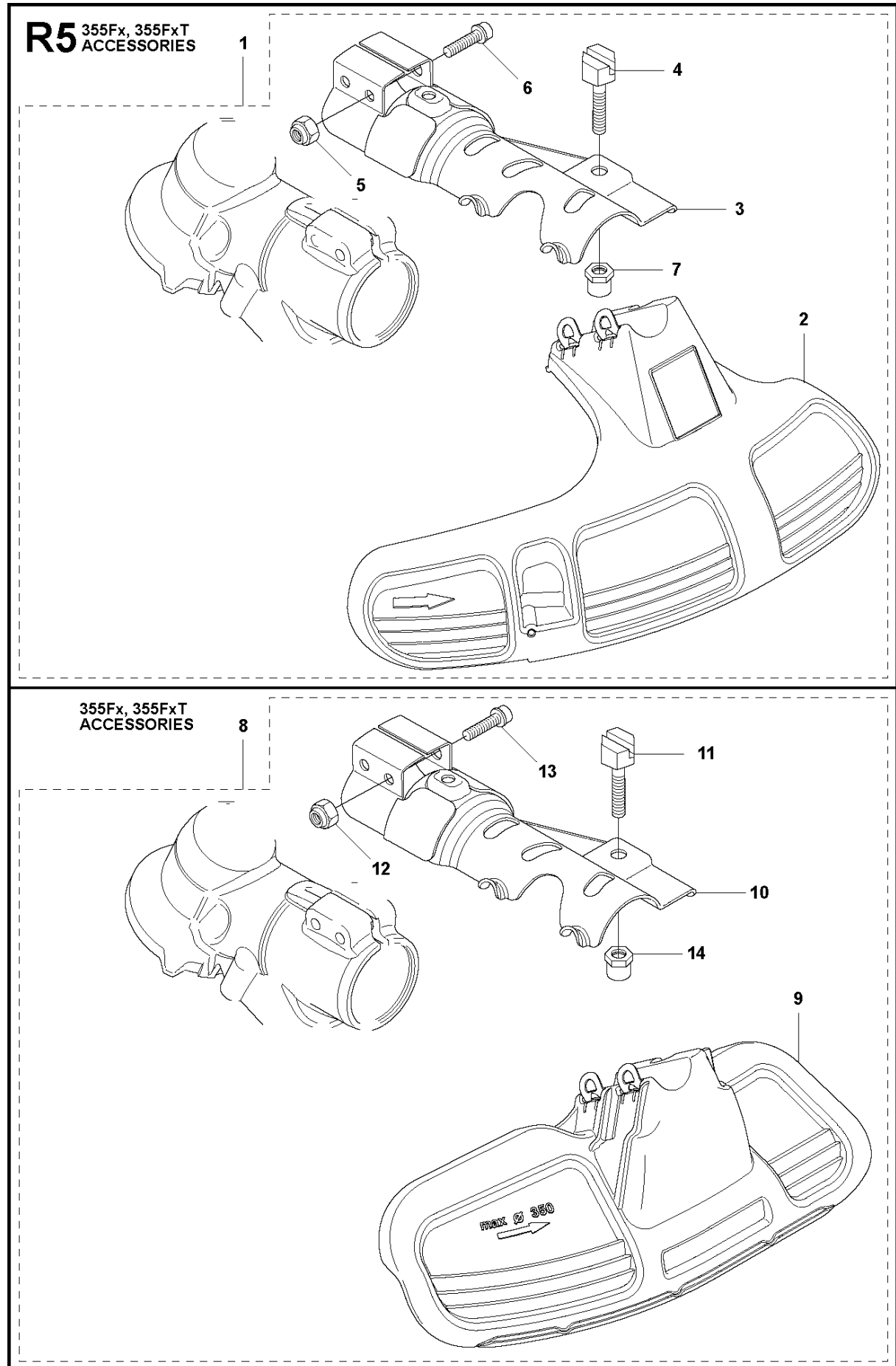
Ref	Part No	Description	Remark	QTY	KIT
1	574 50 67-02	SAW BLADE GUARD	Fx, FxT Incl. Pos. 2-3	1	
2	503 20 03-16	SCREW IHSCFM		4	1
3	574 03 95-01	LOCK NUT		4	1



ACCESSORIES

355 FRM, 20192700001-Current

Ref	Part No	Description	Remark	QTY	KIT
1	502 43 58-01	WINTER KIT	Winter kit Incl. Pos. 2-6	1	
2	544 95 28-01	WINTER COVER		1	1
3	537 35 10-01	AIR DUCT		1	1
4	503 21 07-16	SCREW IHSC T		1	1
5	544 87 02-01	COVER		1	1
6	537 41 08-01	FILTER		1	1
7	537 31 29-01	TRANSPORT GUARD		1	
8	544 35 91-01	TRANSPORT GUARD		1	

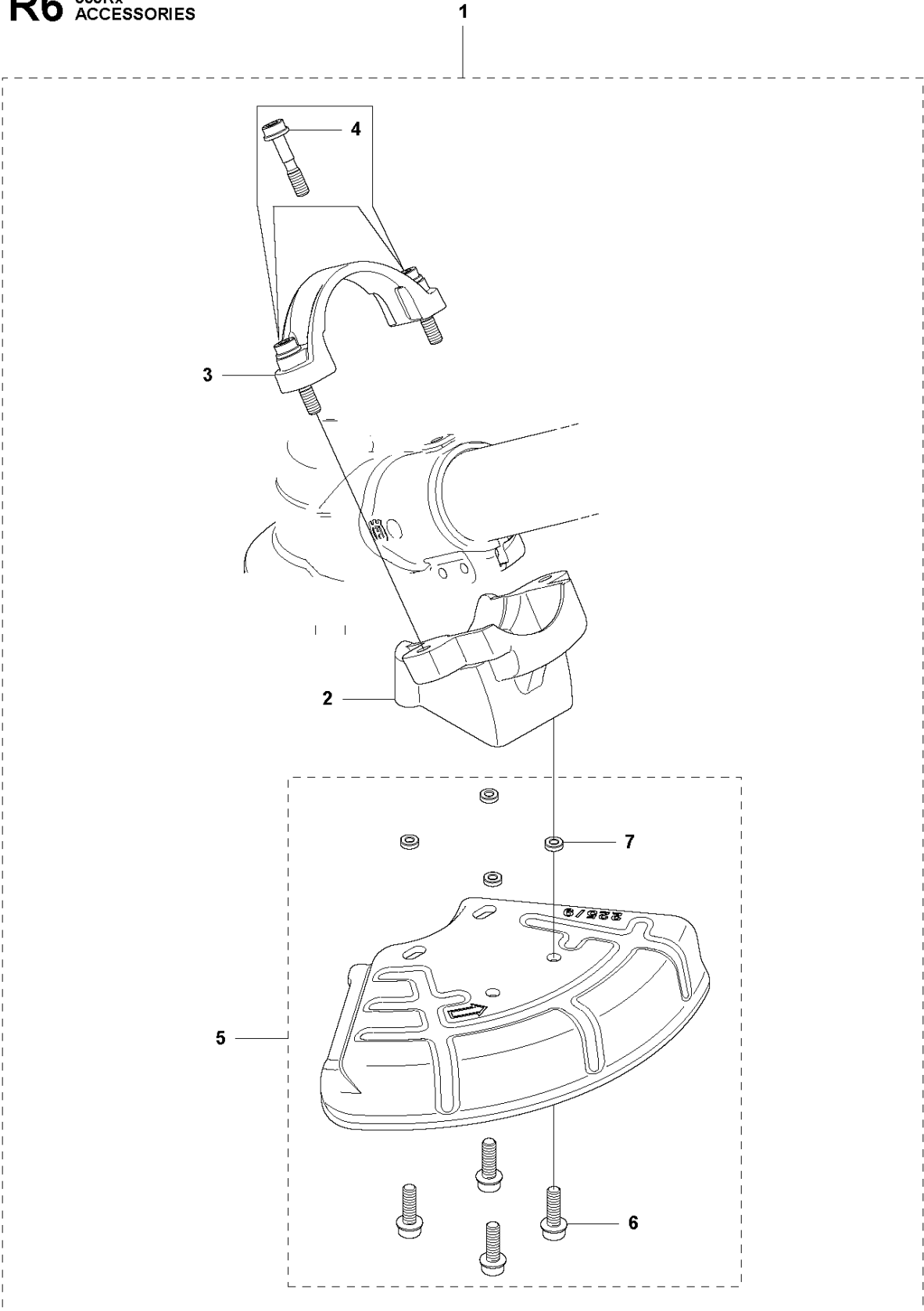


ACCESSORIES

355 FRM, 20192700001-Current

Ref	Part No	Description	Remark	QTY KIT	
1	502 46 50-01	TRIMMER GUARD ASSY	Incl. Pos. 2-7	1	
2	544 10 74-02	TRIMMER GUARD ASSY		1	1
3	544 89 57-01	ATTACHMENT PLATE		1	1
4	537 18 95-01	SCREW		1	1
5	732 21 16-01	LOCK NUT		2	1
6	725 53 76-55	SCREW IHSCM		2	1
7	505 43 67-01	SPACING SLEEVE		1	1
8	502 46 49-01	BLADE GUARD	Incl. Pos. 9-14	1	
9	544 16 03-01	TRIMMER GUARD ASSY		1	8
10	544 89 57-01	ATTACHMENT PLATE		1	8
11	537 18 95-01	SCREW		1	8
12	732 21 16-01	LOCK NUT		2	8
13	725 53 76-55	SCREW IHSCM		2	8
14	505 43 67-01	SPACING SLEEVE		1	8

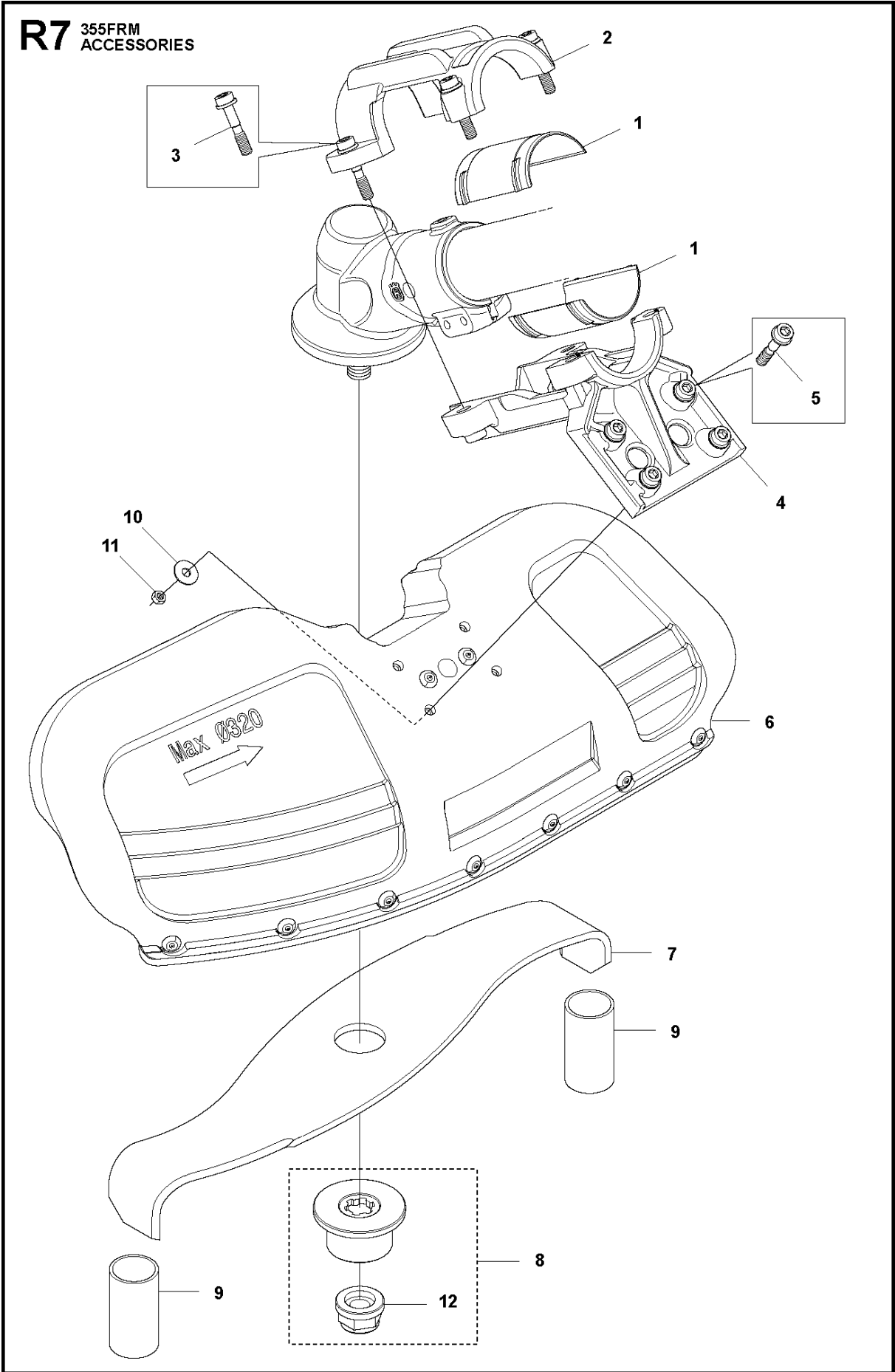
R6 355Rx
ACCESSORIES



ACCESSORIES

355 FRM, 20192700001-Current

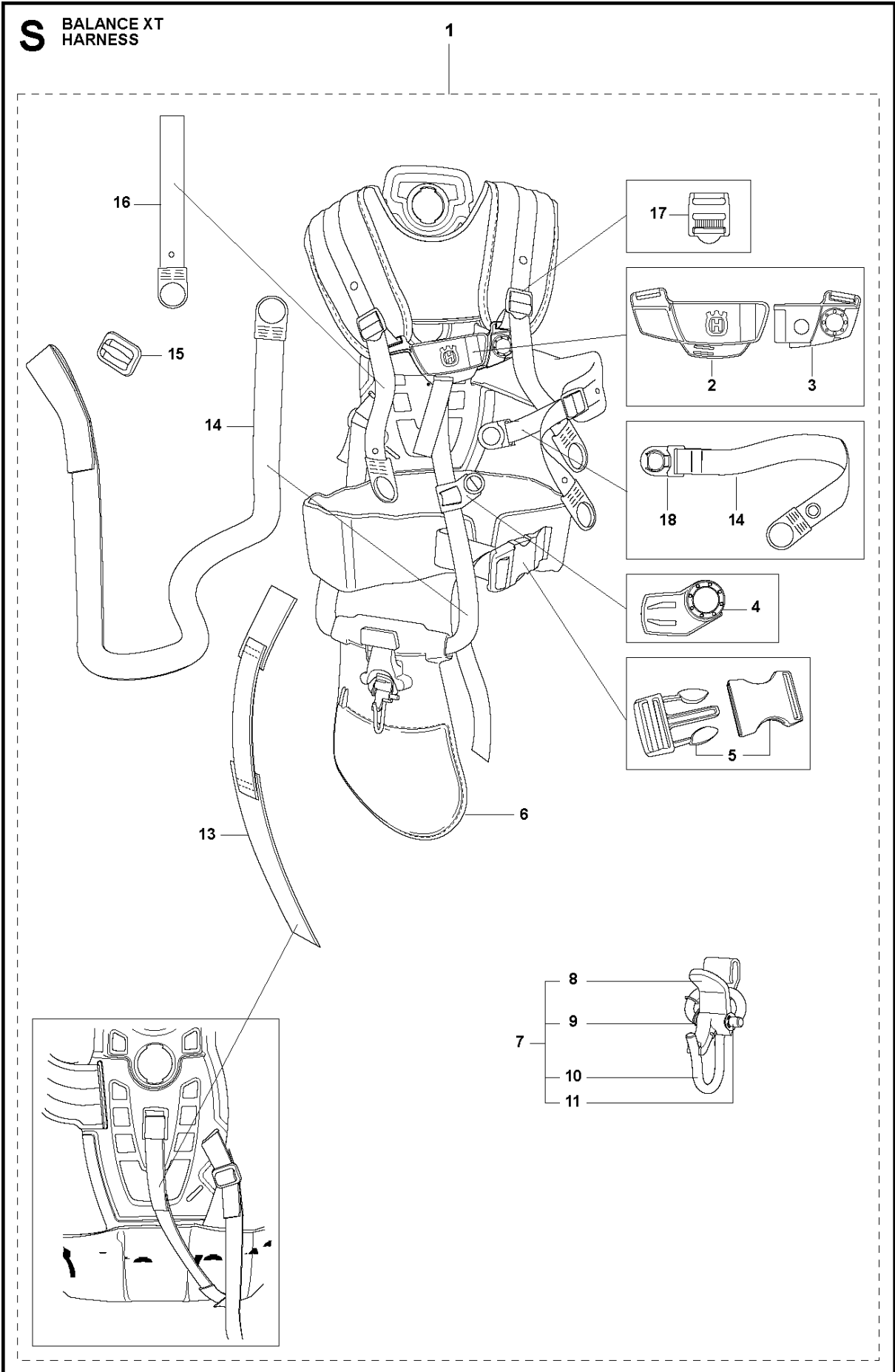
Ref	Part No	Description	Remark	QTY KIT	
1	502 43 55-01	SAW BLADE GUARD	Incl. Pos. 2-7	1	
2	544 83 69-01	ADAPTER		1	1
3	574 52 03-01	CLAMP	Spare part incl. Screws Pos. 3	1	1
4	573 99 43-04	SCREW IHSCFMO	Captive Screw M5	2	1, 3
5	574 50 67-02	SAW BLADE GUARD	Incl. Pos. 6-7	1	1
6	503 20 03-16	SCREW IHSCFM		4	1, 5
7	574 03 95-01	LOCK NUT		4	1, 5



ACCESSORIES

355 FRM, 20192700001-Current

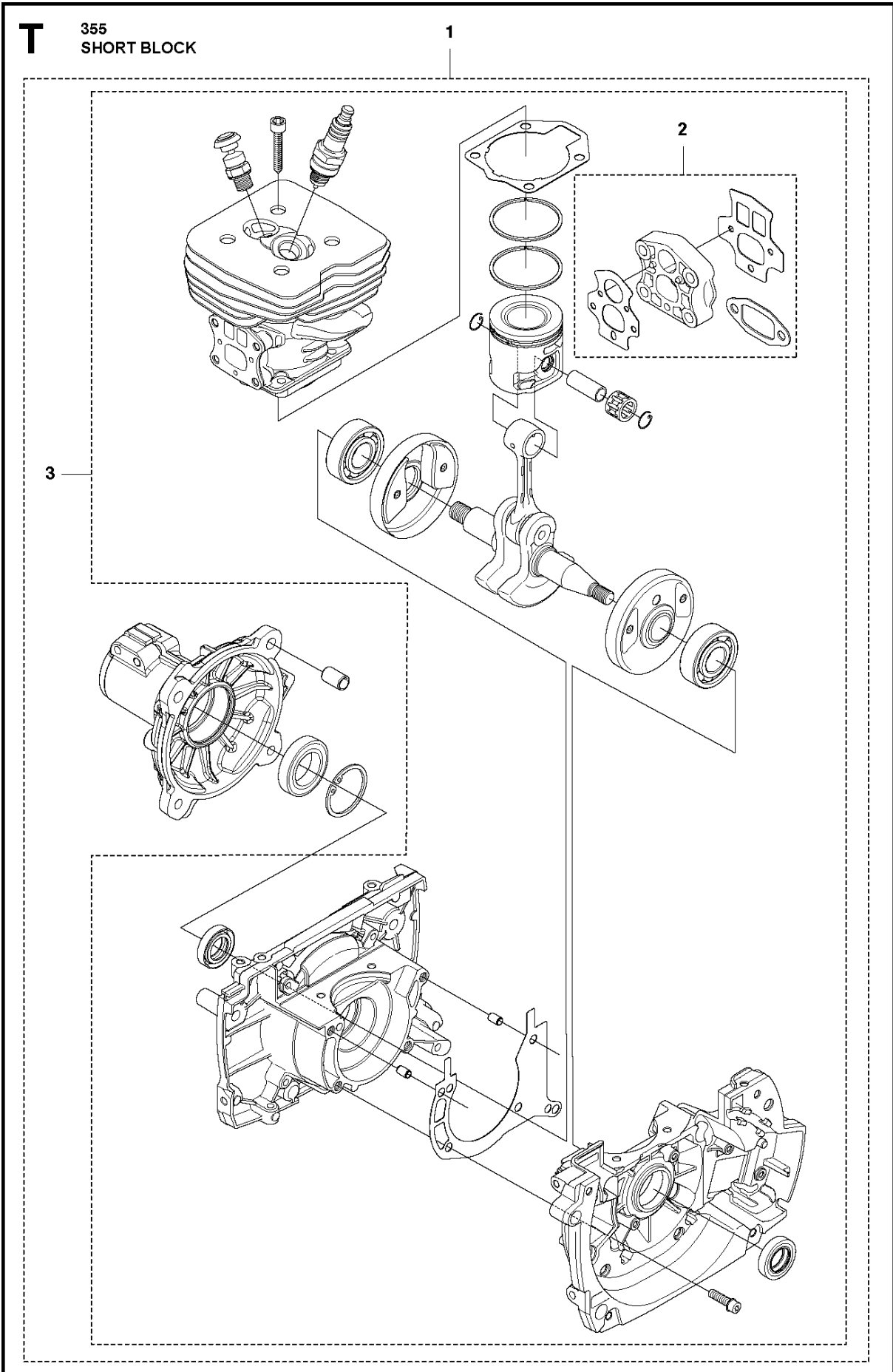
Ref	Part No	Description	Remark	QTY	KIT
1	505 12 17-01	BUSHING		2	
2	501 32 14-01	CLAMP	Spare part incl. Screws Pos. 3	1	
3	573 99 43-04	SCREW IHSCFMO	Captive Screw M5	4	2
4	501 32 17-01	BRACKET	Spare part incl. Screws Pos. 5	1	
5	573 99 43-04	SCREW IHSCFMO	Captive Screw M5	4	4
6	544 02 65-02	BLADE GUARD		1	
7	589 69 56-01	BLADE		1	
8	593 66 59-01	SUPPORT FLANGE		1	
9	537 19 49-01	TRANSPORT GUARD		2	
10	734 11 47-41	WASHER		4	
11	732 21 14-01	LOCK NUT		4	
12	584 13 55-01	NUT		1	8



HARNESSES

355 FRM, 20192700001-Current

Ref	Part No	Description	Remark	QTY	KIT
1	505 20 42-01	HARNESSES	Incl. Pos. 2-18	1	
2	504 54 52-01	BUCKLE		1	1
3	504 54 51-01	BUCKLE		1	1
4	504 63 75-01	SNAP LOCKING		1	1
5	537 33 15-01	BUCKLE		1	1
6	544 90 17-01	HIP PAD		1	1
7	544 96 07-02	WELT HOOK	Incl. Pos. 8-11	1	1
8	502 02 30-02	LOCK		1	1,7
9	502 02 38-01	SPRING		1	1,7
10	502 02 29-02	HOOK		1	1,7
11	735 31 09-20	E-CLIP		1	1,7
13	537 15 35-01	STRAP		1	1
14	503 99 61-04	BAND		1	1
15	537 11 35-01	RETAINER		1	1
16	503 99 61-07	BAND		2	1
17	505 44 46-01	BUCKLE		3	1
18	504 63 74-01	SNAP LOCKING		1	1



SHORT BLOCK

355 FRM, 20192700001-Current

Ref	Part No	Description	Remark	QTY	KIT
1	576 79 88-03	SHORT BLOCK	up to s/n - 20191600180	1	
2	576 79 87-01	GASKET KIT		1	1, 3
3	576 79 88-02	SHORT BLOCK	from s/n 20191600181	1	