

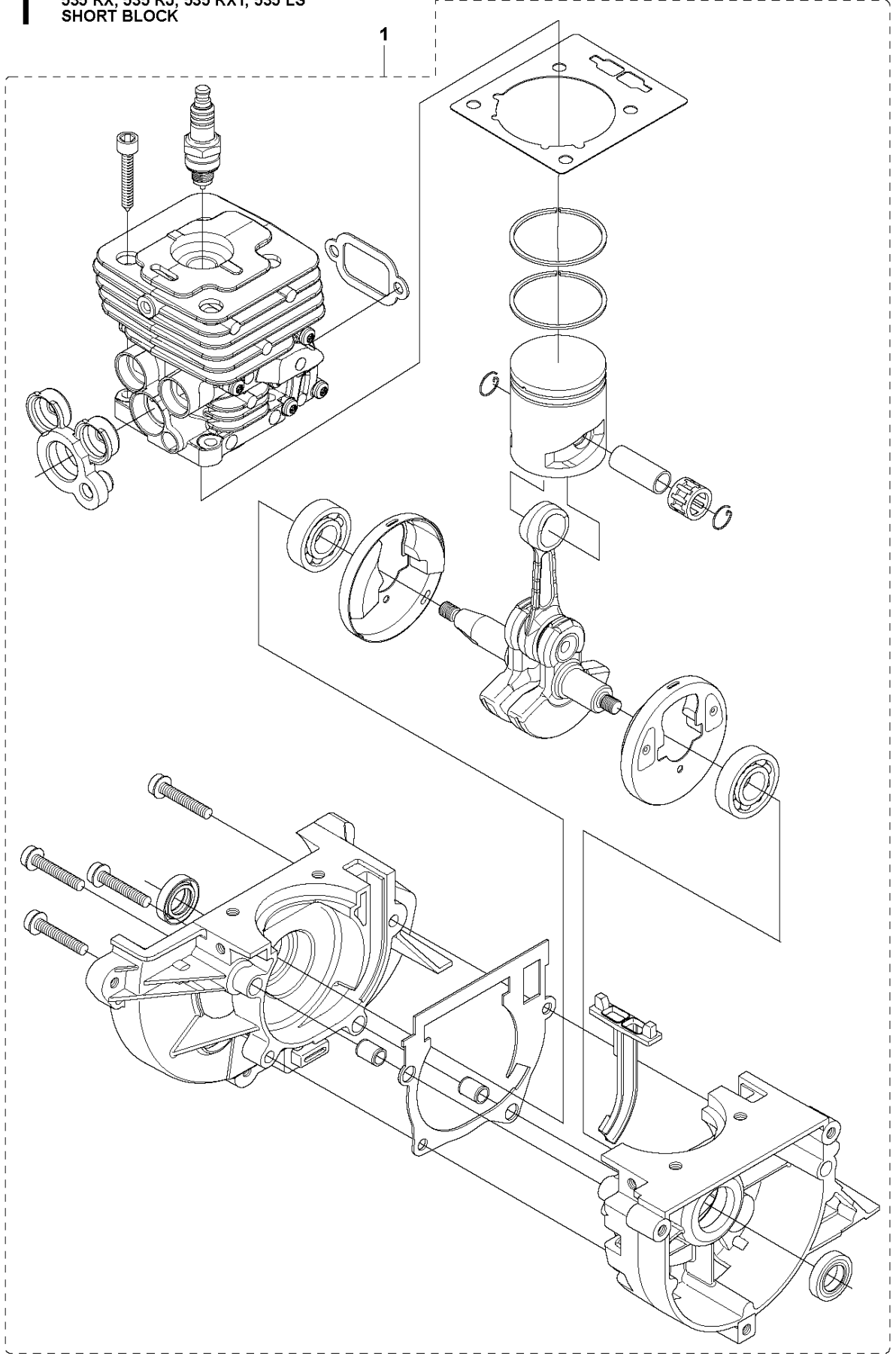


SPARE PARTS LIST

BRUSHCUTTERS/CLEARING SAWS

535 FBX

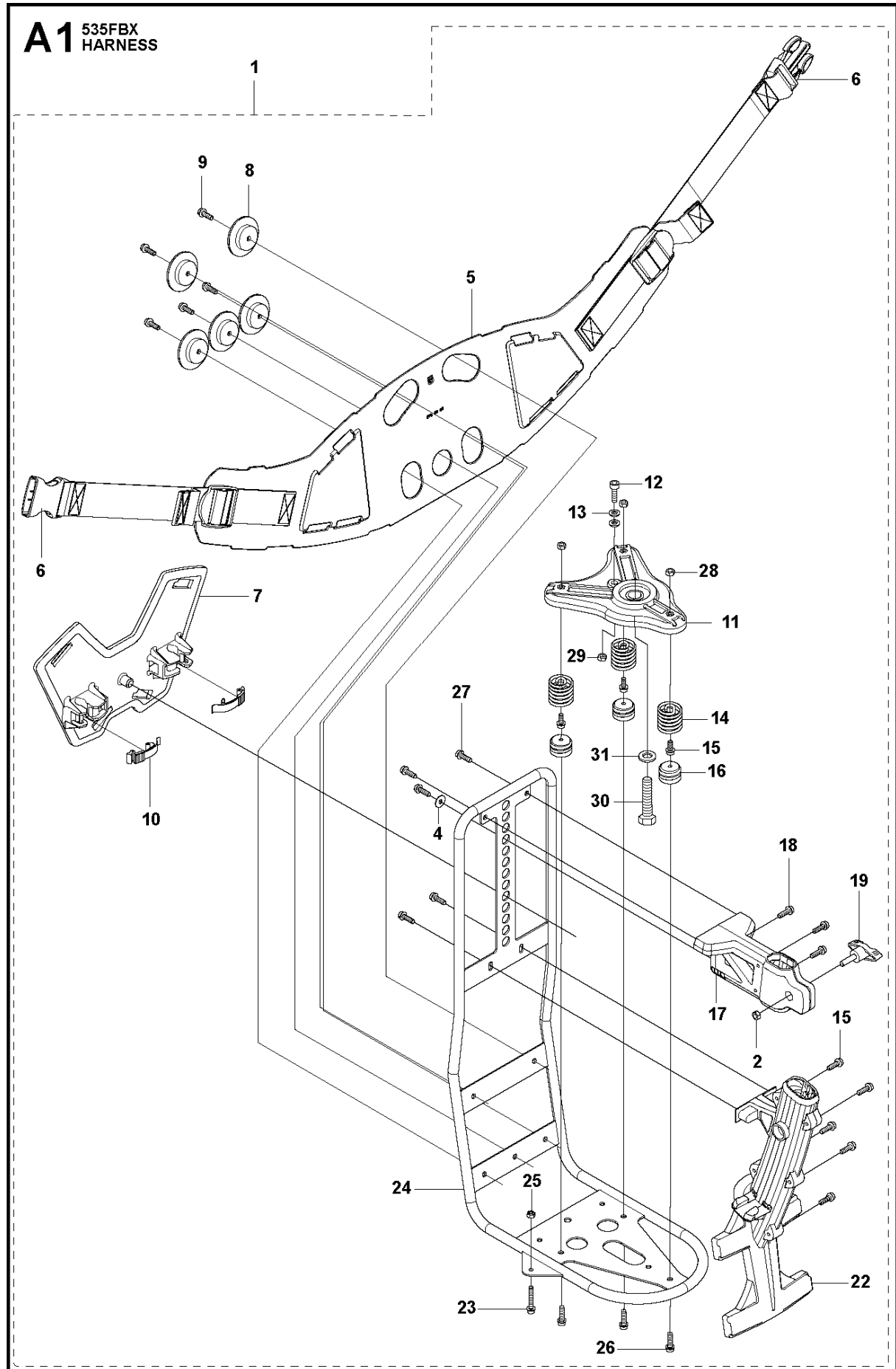
T 535 RX, 535 RJ, 535 RXT, 535 LS
SHORT BLOCK



SHORT BLOCK

535 FBX

Ref	Part No	Description	Remark	QTY KIT
1	594 72 94-01	SHORT BLOCK ASSY		1
1	594 72 94-01	SHORT BLOCK ASSY		1

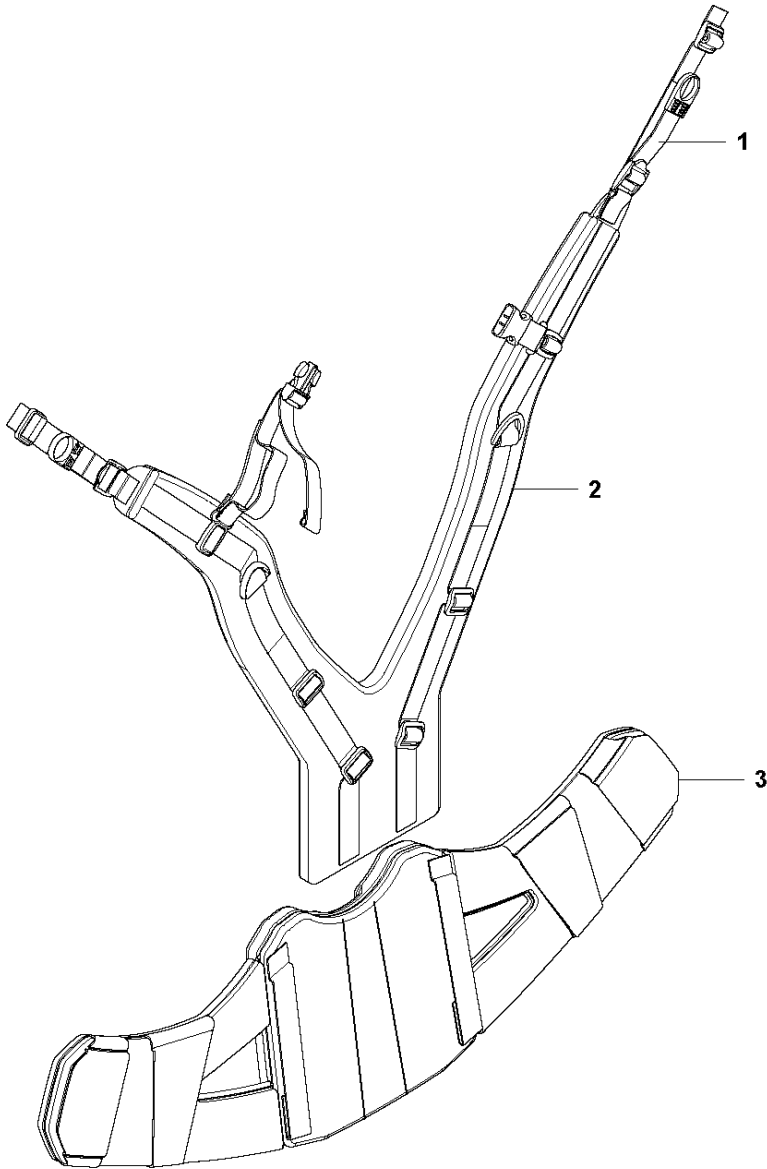


HARNESSES

535 FBX

Ref	Part No	Description	Remark	QTY	KIT
1	521 99 18-01	HARNESSES ASSY		1	
2	731 23 16-01	HEXAGON NUT		1	1
4	734 11 47-41	WASHER		1	1
5	522 48 74-01	WAIST-BELT		1	1
6	537 33 15-01	BUCKLE		1	1
7	521 99 14-01	SHOULDER STRAP		1	1
8	521 88 77-01	GROMMET		5	1
9	503 21 75-72	SCREW IHSCFT		5	1
10	503 74 01-02	SNAP LOCKING		2	1
11	522 48 39-01	HOLDER ASSY		1	1
12	725 53 70-06	SCREW IHSCM		1	1
13	731 23 16-01	HEXAGON NUT		1	1
14	522 02 88-01	SPRING		3	1
15	503 21 75-72	SCREW IHSCFT		5	1
16	521 91 03-01	SPRING HOLDER		3	1
17	522 98 33-01	BAR BRACKET		1	1
18	503 21 07-16	SCREW IHSCFT		3	1
19	503 87 90-01	KNOB		1	1
20	725 23 76-51	SCREW EHHM		1	1
21	503 21 75-72	SCREW IHSCFT		5	1
22	522 98 31-01	BAR BRACKET		1	1
23	725 53 35-55	SCREW IHSCM		1	1
24	510 36 36-01	FRAME		1	1
25	732 25 14-01	HEXAGON LOCKING NUT		1	1
26	503 21 06-19	SCREW IHSCFT		3	1
27	503 21 75-72	SCREW IHSCFT		5	1
28	731 23 14-01	HEXAGON NUT		3	
29	731 23 16-01	HEXAGON NUT		1	
30	725 24 93-71	SCREW EHHM		1	
31	734 11 72-01	WASHER		1	

A2 535FBX
HARNESS

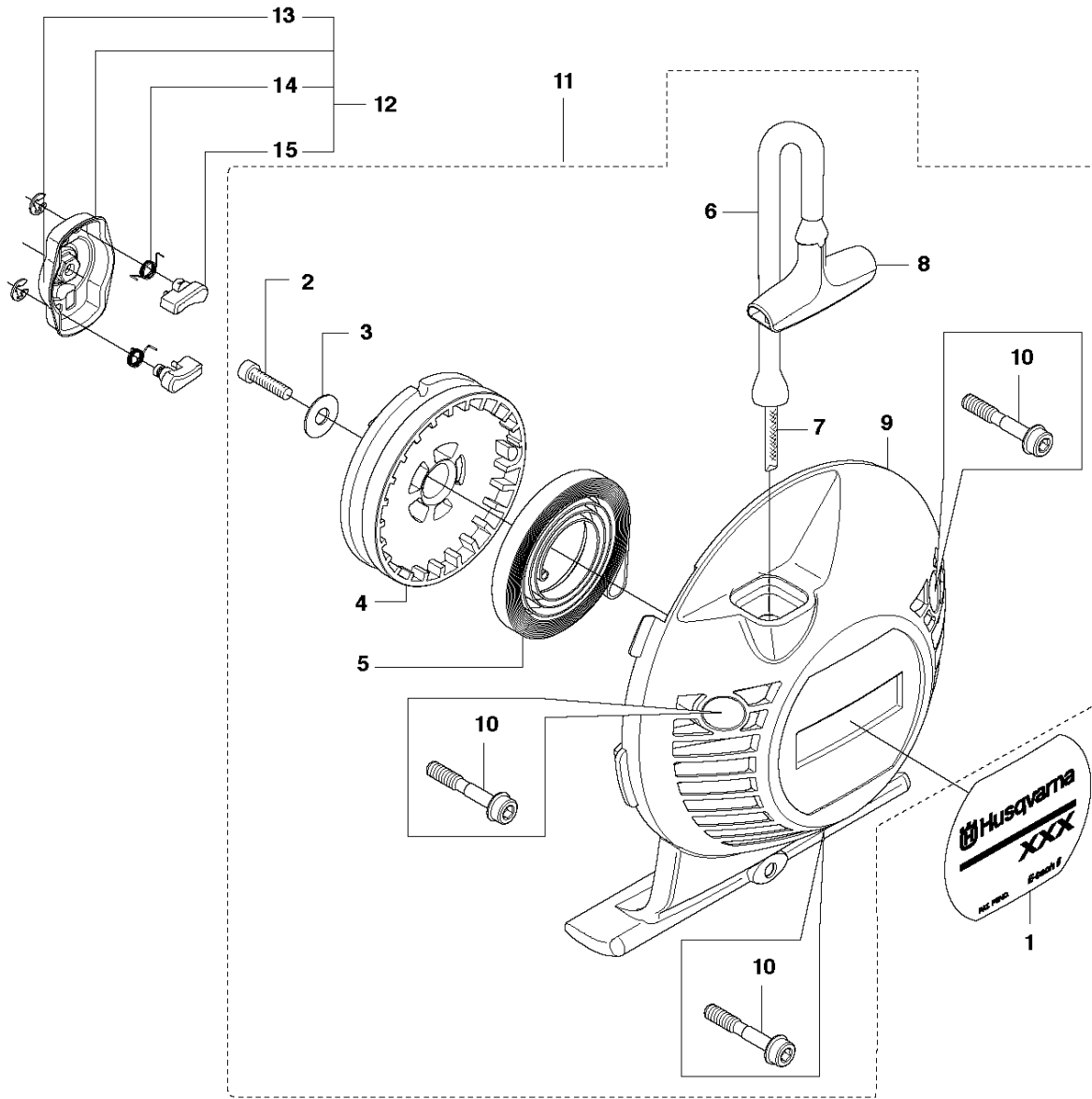


HARNESS

535 FBX

Ref	Part No	Description	Remark	QTY KIT
1	503 99 61-08	BAND		1
2	522 92 07-01	SHOULDER STRAP		1
3	510 36 42-01	WAIST-BELT		1

K 535FBX
STARTER

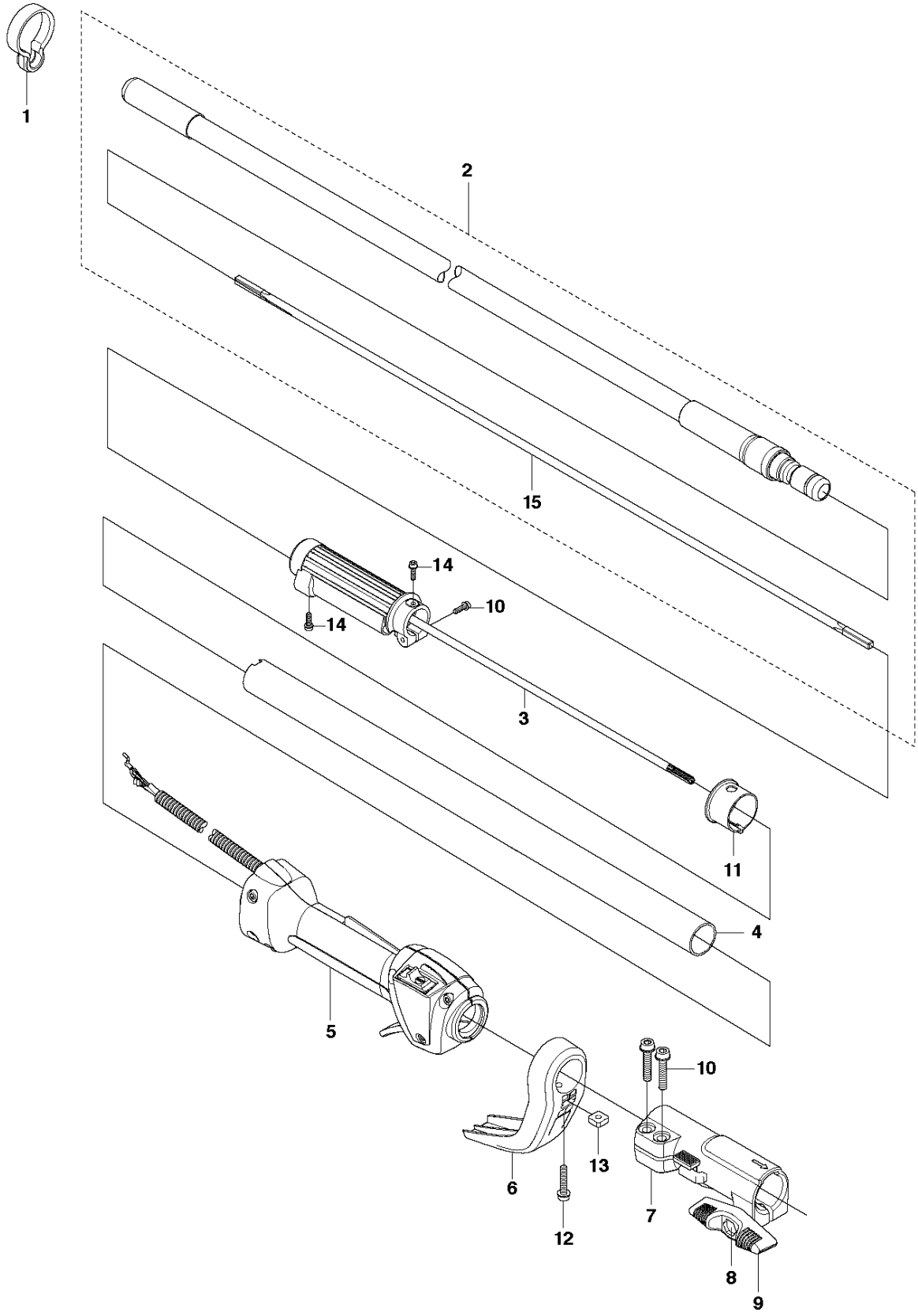


STARTER

535 FBX

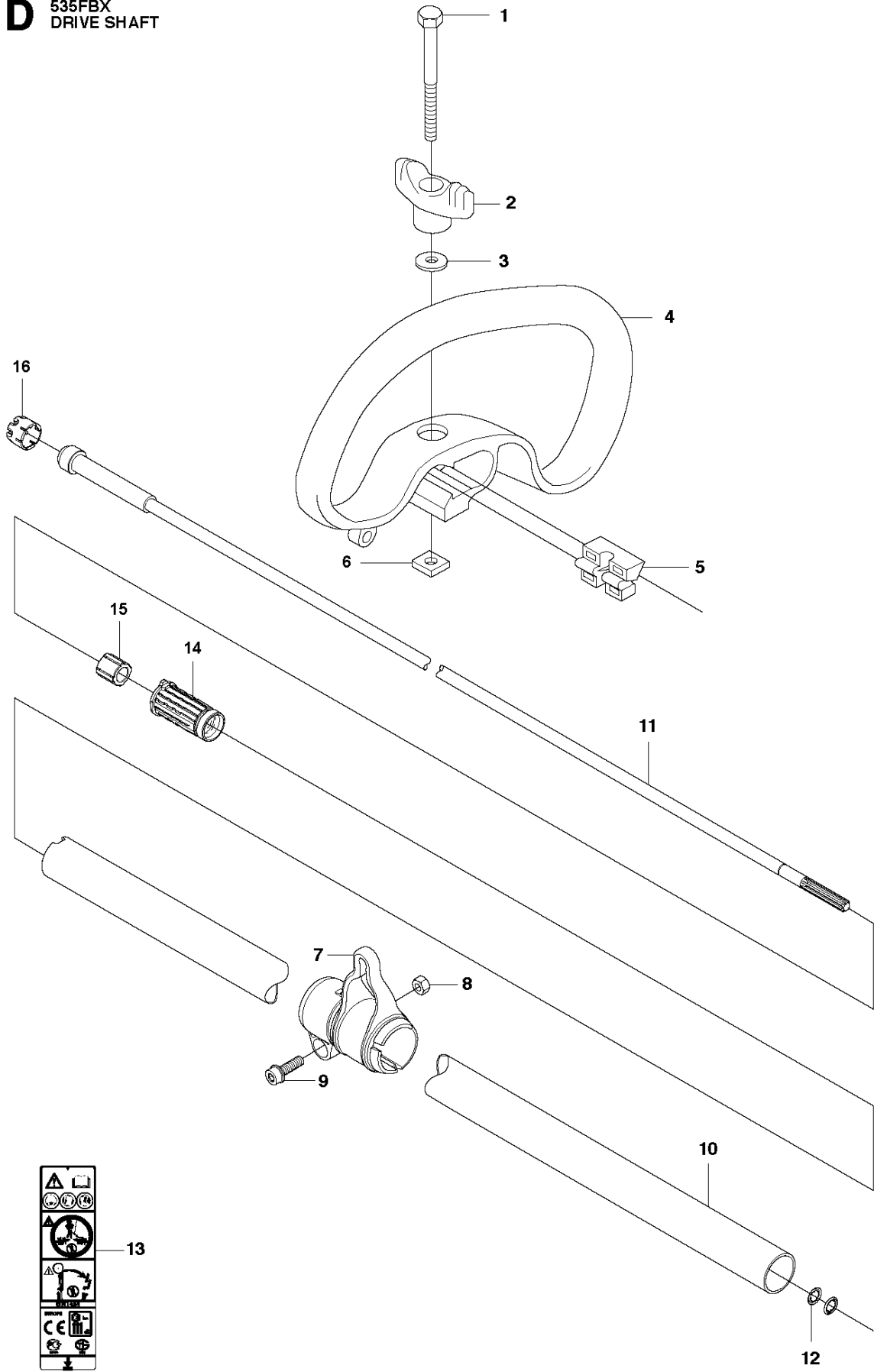
Ref	Part No	Description	Remark	QTY	KIT
1	577 22 36-02	DECAL		1	
2	503 21 79-20	SCREW IH SCT		1	11
3	535 07 23-01	WASHER		1	11
4	537 32 50-02	STARTER PULLEY		1	11
5	503 85 99-01	RECOIL SPRING		1	11
6	522 87 64-01	RUBBER CONDUIT		1	
7	505 30 51-02	STARTER CORD		1	11
8	537 23 25-01	STARTER HANDLE		1	11
9	544 10 25-02	STARTER	Spare part incl. Screws Pos. 10	1	11
10	573 99 43-05	SCREW IH SCFMO	Captive screws	3	9, 11
11	537 21 47-07	STARTER ASSY		1	
12	503 87 33-05	STARTER PAWL		1	
13	735 31 08-20	E-CLIP		2	12
14	503 87 36-01	SPRING		1	12
15	503 87 35-02	STARTER PAWL		2	12

C 535FBX
TUBE



Ref	Part No	Description	Remark	QTY	KIT
1	523 04 85-01	CLAMP		5	
2	522 48 33-01	SHAFT FLEXIBLE		1	
3	575 31 77-01	DRIVE SHAFT ASSY		1	
4	575 24 32-01	TUBE		1	
5	544 14 36-06	CONTROL		1	
6	523 06 26-01	TRIGGER		1	
7	544 36 75-02	CLAMPING SLEEVE		1	
8	725 23 76-51	SCREW EHHM		1	
9	502 20 38-01	KNOB		1	
10	503 20 07-25	SCREW IHSCFM		1	
11	525 85 75-01	SPACER		1	
12	503 20 03-20	SCREW IHSCFM		1	
13	503 22 65-04	SQUARE NUT		1	
14	503 20 06-08	SCREW IHSCFM		2	
15	586 92 82-01	SHAFT		1	2

D 535FBX
DRIVE SHAFT

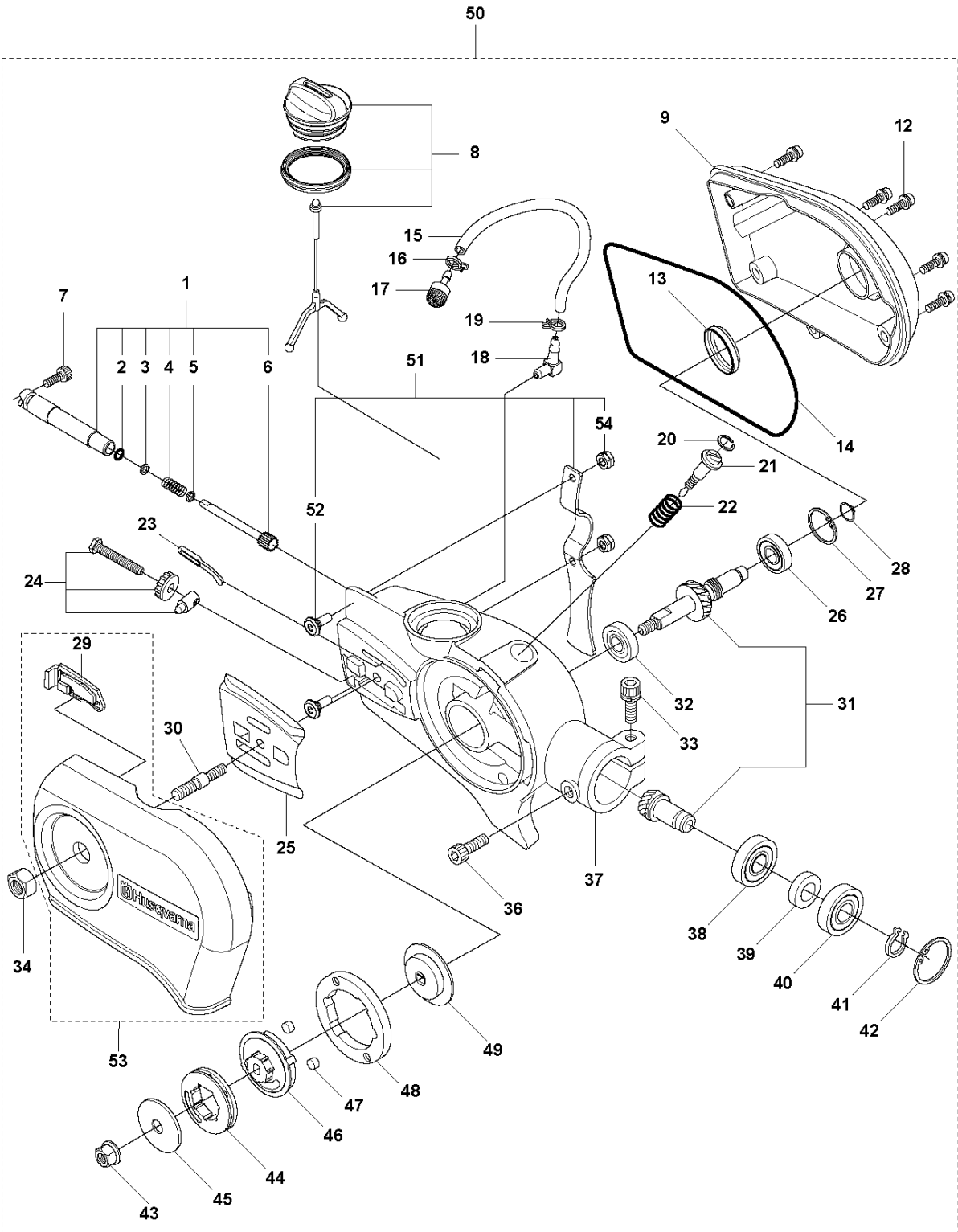


SHAFT

535 FBX

Ref	Part No	Description	Remark	QTY KIT
1	725 23 80-51	SCREW EHHM		1
2	503 87 90-01	KNOB		1
3	503 23 00-61	WASHER		1
4	503 87 19-03	HANDLE		1
5	503 94 03-01	DISTANCE		1
6	502 19 71-01	SQUARE NUT		1
7	522 92 08-01	CORD BRACKET		1
8	731 23 14-01	HEXAGON NUT		1
9	503 20 03-03	SCREW IHSCFM		1
10	574 43 78-01	TUBE		1
11	587 41 17-03	DRIVE SHAFT		1
12	735 58 08-10	LOCKWASHER		2
13	587 11 41-01	LABEL		1
14	587 41 46-01	PLUG		1
15	503 78 52-02	SUPPORTING BEARING		1
16	583 93 83-01	CLIP		1

E 535FBX
SAW HEAD

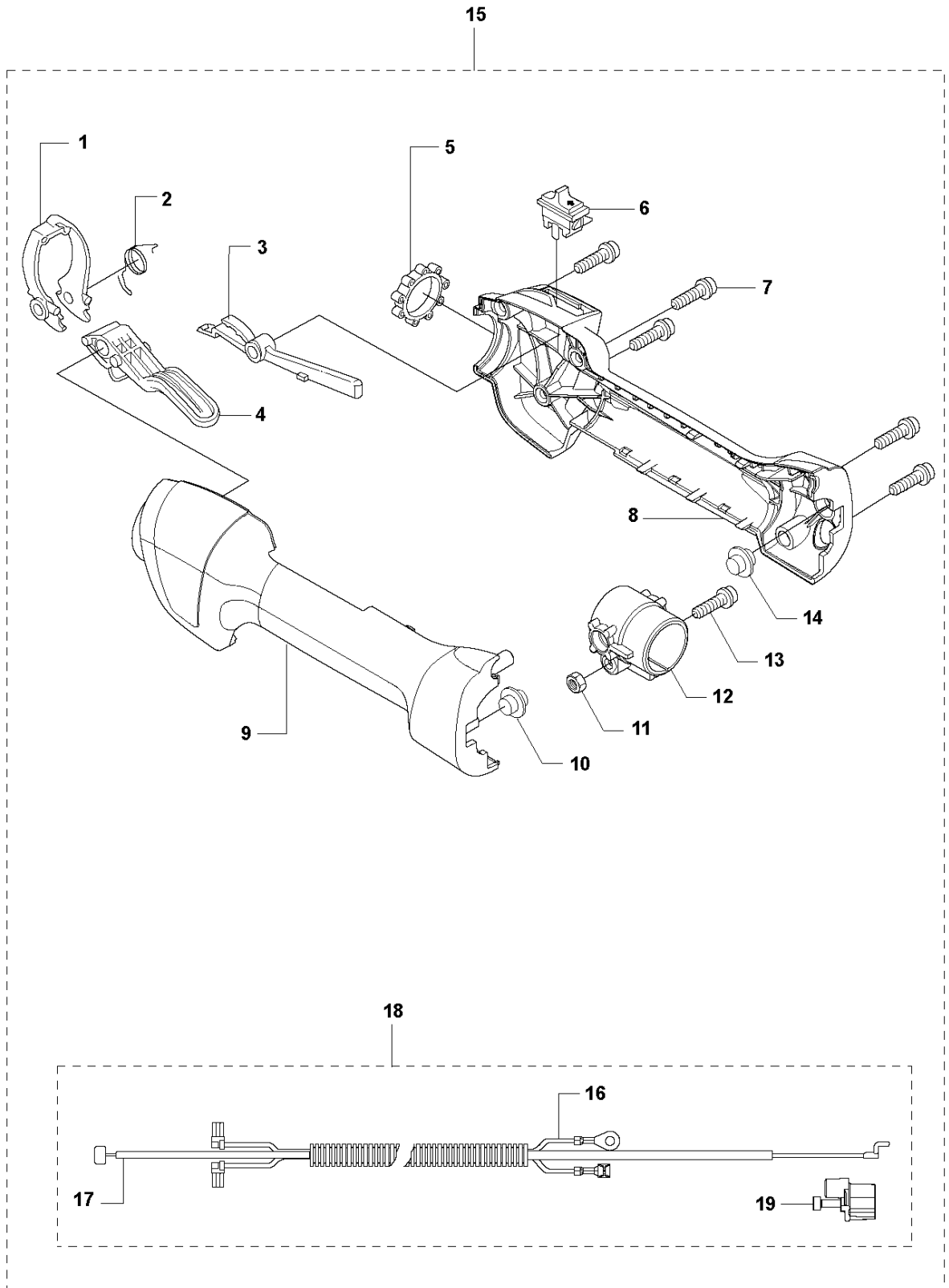


SAW HEAD

535 FBX

Ref	Part No	Description	Remark	QTY	KIT
1	537 29 92-01	OIL PUMP ASSY		1	50
2	740 42 03-00	O-RING		1	50, 1
3	503 23 00-16	WASHER		1	50, 1
4	503 18 49-01	SPRING		1	50, 1
5	503 23 00-16	WASHER		1	50, 1
6	503 80 83-02	PUMP PISTON		1	50, 1
7	725 53 27-55	SCREW IHSCM		1	50
8	537 28 15-02	TANK CAP ASSY		1	50
9	593 62 04-01	CAP ASSY		1	50
12	725 53 29-55	SCREW IHSCM		5	50
13	537 33 01-01	SEALING		1	50
14	537 29 10-01	O-RING		1	50
15	537 29 11-01	HOSE		1	50
16	537 37 15-01	HOSE CLAMP		1	50
17	504 71 00-03	OIL PLUMMET		1	50
18	504 34 00-04	FITTING		1	50
19	537 37 15-01	HOSE CLAMP		1	50
20	537 29 09-01	CIRCLIP		1	50
21	537 05 68-01	ADJUSTER		1	50
22	503 97 82-01	SPRING		1	50
23	537 33 17-01	OIL DUCT		1	50
24	537 22 82-01	CHAIN TENSIONER		1	50
25	537 19 42-01	CHAIN GUIDE PLATE		1	50
26	738 21 00-04	BALL BEARING		1	50
27	735 31 27-10	CIRCLIP		1	50
28	735 31 12-00	CIRCLIP		1	50
29	575 55 37-01	SEALING PLATE		1	50, 53
30	537 19 44-01	BAR BOLT	M6-M8	1	
31	537 29 90-01	GEAR WHEEL KIT		1	50
30	576 29 30-01	BAR BOLT	M7-M8	1	50
32	738 21 99-04	BALL BEARING		1	50
33	725 53 33-55	SCREW IHSCM		1	50
34	731 23 18-01	HEXAGON NUT		1	50
36	725 53 27-55	SCREW IHSCM		1	50
37	537 22 74-01	HOUSING		1	50
38	738 21 99-04	BALL BEARING		1	50
39	537 24 77-01	SPACER		1	50
40	738 21 99-04	BALL BEARING		1	50
41	735 31 11-00	CIRCLIP		1	50
42	735 31 25-10	CIRCLIP		1	50
43	731 71 16-51	HEXAGON NUT FLANGE		1	50
44	505 30 36-72	RIM		1	50
45	503 23 00-84	WASHER		1	50
46	522 70 48-01	HUB		1	50
47	537 27 17-01	BUSHING		2	50
48	537 27 14-01	RING		1	50
49	537 27 16-01	HUB CAP		1	50
50	575 12 25-01	CUTTING HEAD ASSY	up to s/n - 17250054020	1	
50	575 12 25-03	CUTTING HEAD ASSY	from s/n 17250054021 -	1	
51	577 98 19-01	HOOK		1	50
52	501 81 99-01	SCREW		2	50, 51
53	575 54 18-01	CHAIN GUARD		1	
54	503 22 24-01	LOCK NUT		2	51, 50

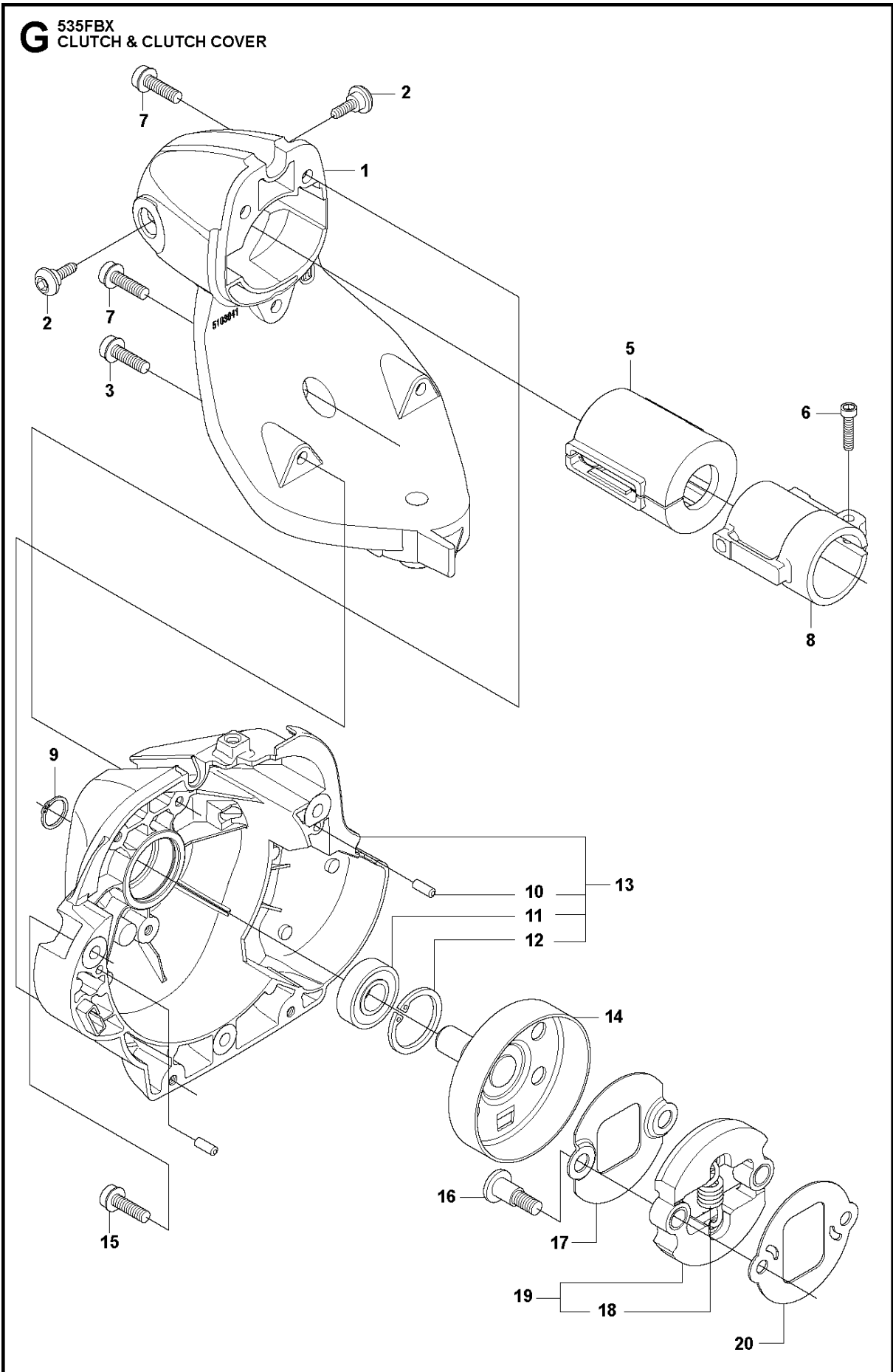
F 535FBX
THROTTLE CONTROLS



THROTTLE CONTROLS

535 FBX

Ref	Part No	Description	Remark	QTY	KIT
1	503 91 81-01	THROTTLE LEVER		1	15
2	544 10 08-01	RECOIL SPRING		1	15
3	503 87 80-01	THROTTLE LOCKOUT		1	15
4	503 87 79-03	THROTTLE TRIGGER		1	15
5	503 96 14-01	ABSORBER		1	15
6	537 41 90-01	SWITCH		1	15
7	503 21 66-18	SCREW IHSC		5	15
8	544 23 84-01	HANDLE HALF		1	15
8	544 10 02-02	HANDLE HALF		1	15
9	544 23 85-01	HANDLE HALF		1	15
9	544 10 03-02	HANDLE HALF		1	15
10	544 10 17-02	DAMPER		1	15
11	731 23 14-01	HEXAGON NUT		1	15
12	544 11 21-01	RETAINER		1	15
13	503 20 03-20	SCREW IHSCFM		1	15
14	544 10 17-02	DAMPER		1	15
15	544 14 36-06	CONTROL		1	
16	503 87 85-08	SHORT CIRCUIT CABLE		1	15, 18
17	544 17 17-04	THROTTLE CABLE ASSY		1	15, 18
18	544 14 49-02	WIRING ASSY		1	
19	575 35 60-01	ADJUSTMENT DISC		1	15, 18

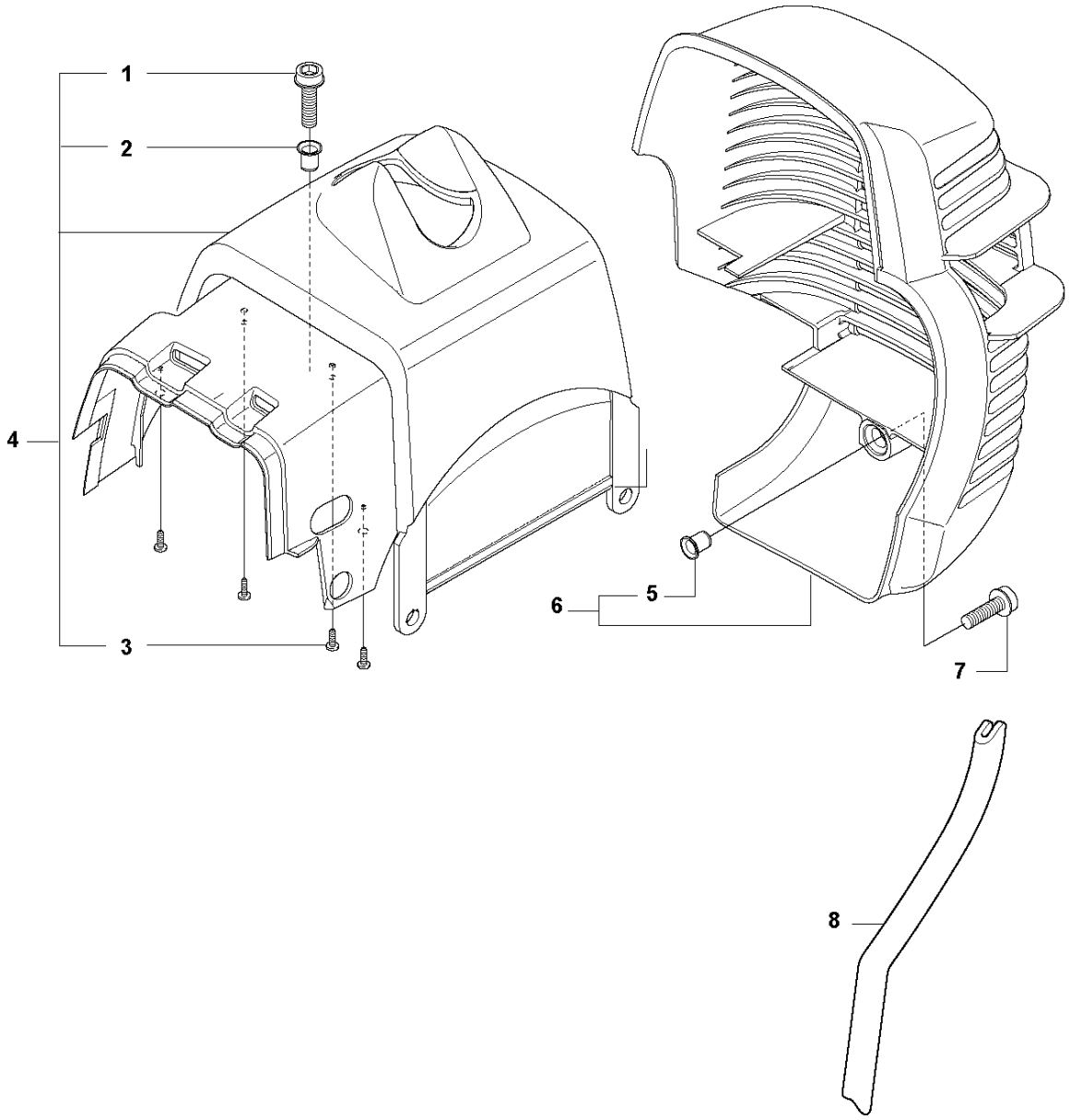


CLUTCH COVER

535 FBX

Ref	Part No	Description	Remark	QTY	KIT
1	510 36 41-01	MOTOR BRACKET		1	
2	503 96 13-01	SCREW		2	
3	503 21 74-16	SCREW IH SCT	s/n up to - 20151500018 (for magnesiuim)	2	
3	725 53 29-56	SCREW IHSCM	s/n from 20151500018 (for aluminium)	2	
5	537 32 27-01	ANTIVIBRATION ELEMENT		1	
6	725 53 33-55	SCREW IHSCM		1	
7	503 20 03-20	SCREW IHSCFM		4	
8	537 31 01-03	COMPRESSION SLEEVE		1	
9	735 31 14-00	CIRCLIP		1	
10	503 24 07-02	PARALLEL PIN		2	13
11	738 21 01-04	BALL BEARING		1	13
12	735 31 28-10	CIRCLIP		1	13
13	537 30 29-01	CLUTCH COVER	s/n up to - 20151500018 (Magnesium)	1	
13	574 84 29-01	CLUTCH COVER ASSY	s/n from 20151500019 - (Aluminium)	1	
14	522 47 14-01	CLUTCH DRUM ASSY		1	
15	503 20 03-20	SCREW IHSCFM		3	
16	537 41 81-01	SCREW		2	
17	537 41 57-01	WASHER		1	
18	537 42 72-01	SPRING		1	19
19	537 34 04-01	CLUTCH		1	
20	537 04 68-01	WASHER		1	

H 535FBX
COVERS

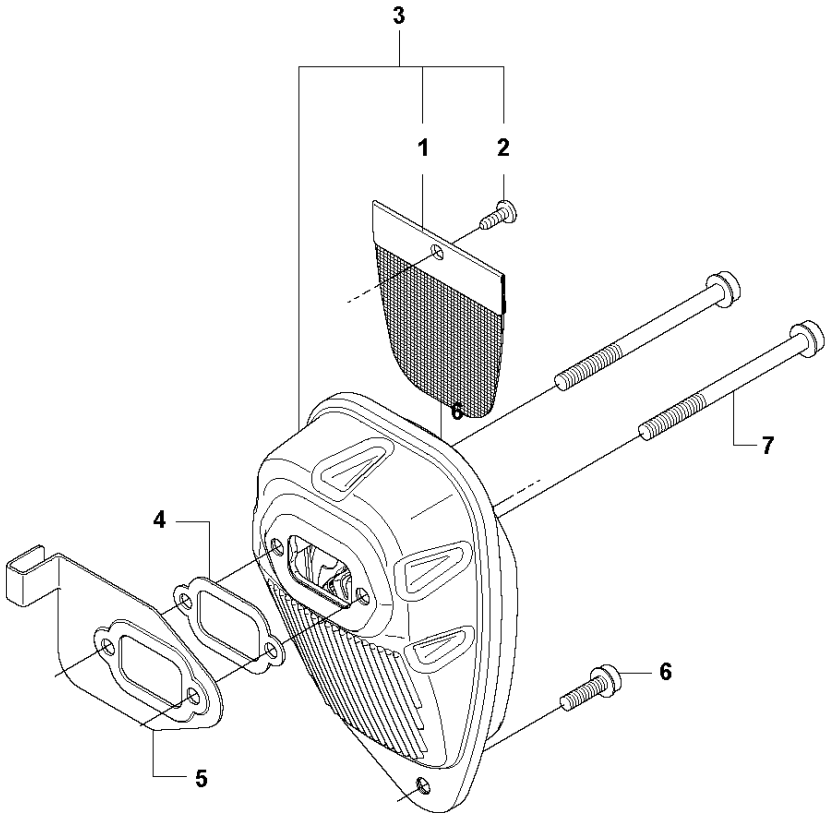


COVER

535 FBX

Ref	Part No	Description	Remark	QTY	KIT
1	503 20 03-20	SCREW IHSCFM		1	4
2	537 37 38-02	TUBULAR RIVET		1	4
3	503 21 29-10	SCREW CCRPANT		4	4
4	544 16 01-01	CYLINDER COVER		1	
5	537 37 38-03	TUBULAR RIVET		1	6
6	537 42 51-01	HEAT PROTECTOR		1	
7	503 20 03-20	SCREW IHSCFM		1	
8	503 21 75-16	SCREW IHSCFT		2	
9	537 39 52-11	LABEL		1	

J 535FBX
MUFFLER

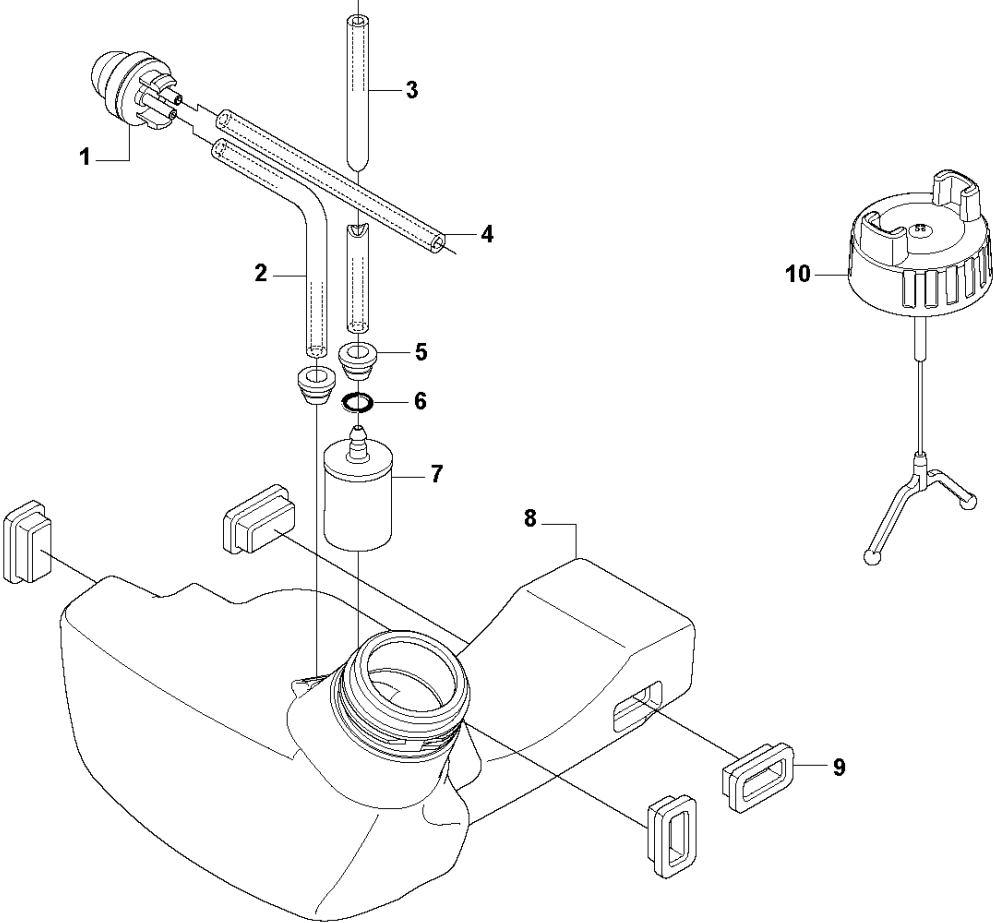


MUFFLER

535 FBX

Ref	Part No	Description	Remark	QTY	KIT
1	544 11 68-01	SPARK ARRESTER SCREEN		1	3
2	724 12 87-59	SCREW CRPANM		1	3
3	505 40 86-01	MUFFLER ASSY	CAT	1	
4	537 33 31-01	GASKET		1	
5	537 34 08-01	AIR CONDUCTOR		1	
6	503 20 03-20	SCREW IHSCFM		1	
7	503 20 29-63	SCREW IHSCFM		2	

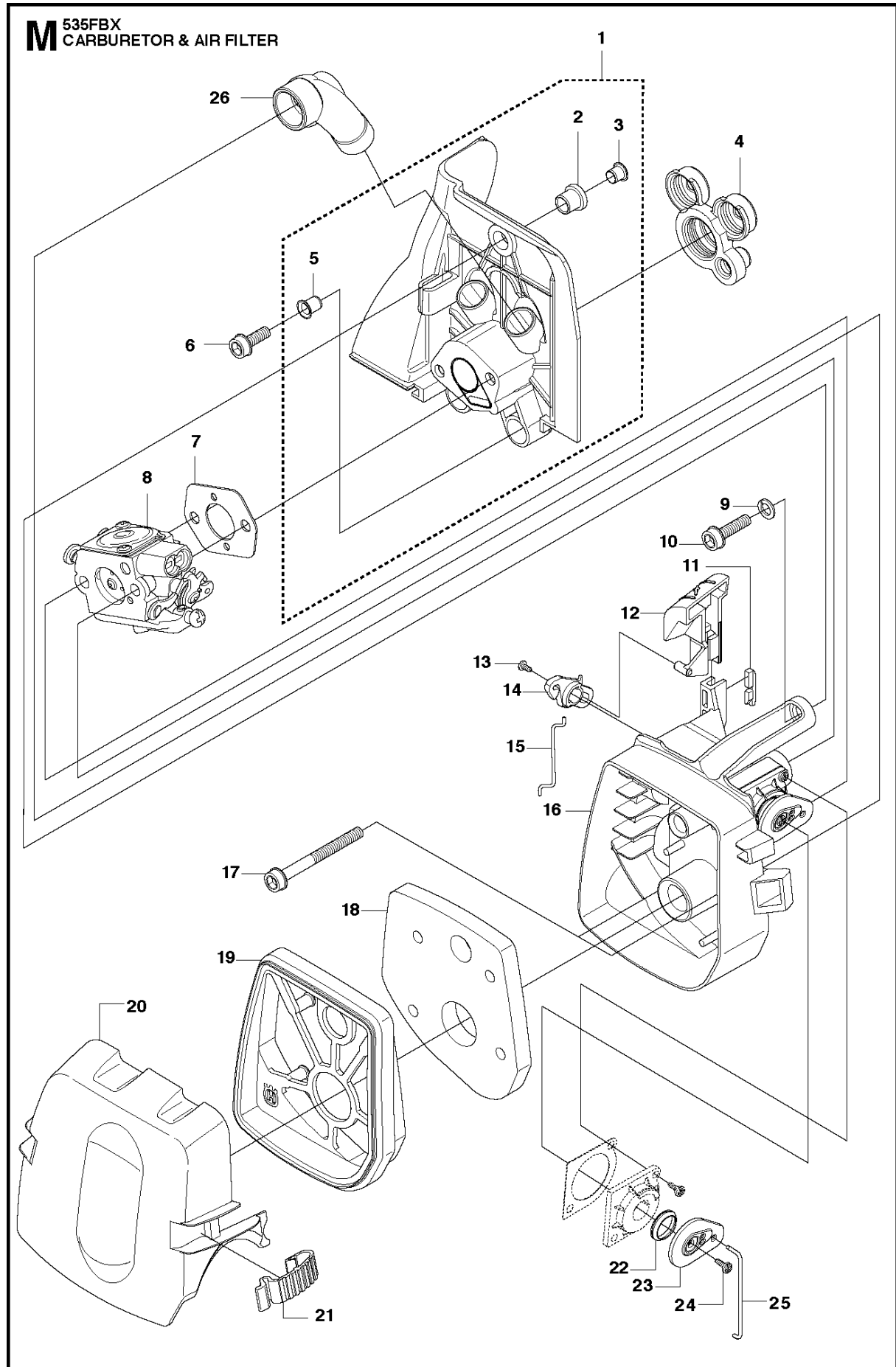
L 535FBX
FUEL TANK



FUEL TANK

535 FBX

Ref	Part No	Description	Remark	QTY KIT
1	503 93 66-01	PURGE		1
2	537 04 24-12	FUEL HOSE		1
3	578 97 56-02	FUEL HOSE		1
4	537 04 24-12	FUEL HOSE		1
5	503 73 58-01	BUSHING		2
6	537 18 49-01	O-RING		1
7	503 44 32-01	FUEL FILTER		1
8	544 32 88-01	TANK ASSY		1
9	503 91 10-01	SUSPENSION		4
10	503 91 18-02	TANK CAP		1

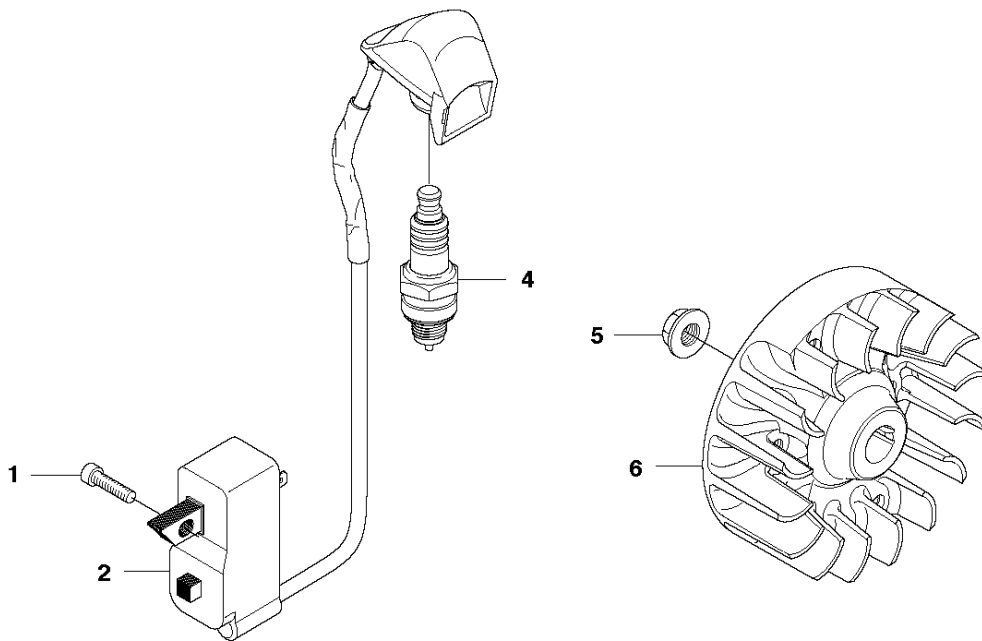


CARBURETOR & AIR FILTER

535 FBX

Ref	Part No	Description	Remark	QTY	KIT
1	537 37 12-02	INSULATION WALL		1	
2	537 37 11-01	SLEEVE		1	1
3	544 01 91-01	TUBULAR RIVET		1	1
4	537 33 43-01	INLET PIPE		1	
5	537 37 38-03	TUBULAR RIVET		2	1
6	503 20 03-16	SCREW IHSCFM		2	
7	503 49 71-01	GASKET		1	
8	581 16 75-01	CARBURETTOR	ZAMA C1Q-EL36	1	
9	503 23 10-06	WASHER		1	
10	503 20 03-20	SCREW IHSCFM		1	
11	544 02 58-01	BAR		1	
12	537 33 71-01	CHOKE CONTROL		1	
13	503 21 29-06	SCREW CCRPANT		1	
14	537 35 58-01	LEVER		1	
15	544 37 27-01	SLEEVING BRACKET		1	
16	537 31 41-01	FILTER HOLDER		1	
17	503 21 75-50	SCREW IHSCFT		2	
18	537 33 72-01	FILTER		1	
19	537 31 42-01	FRAME		1	
20	537 31 44-01	FILTER COVER		1	
21	537 38 72-01	SNAP LOCKING		2	
22	544 01 47-01	BELLOWS		1	
23	544 01 46-01	LEVER		1	
24	503 21 29-06	SCREW CCRPANT		1	
25	537 34 90-01	LEVER		1	
26	537 34 13-01	AIR DUCT		1	

L 535 FBX
IGNITION

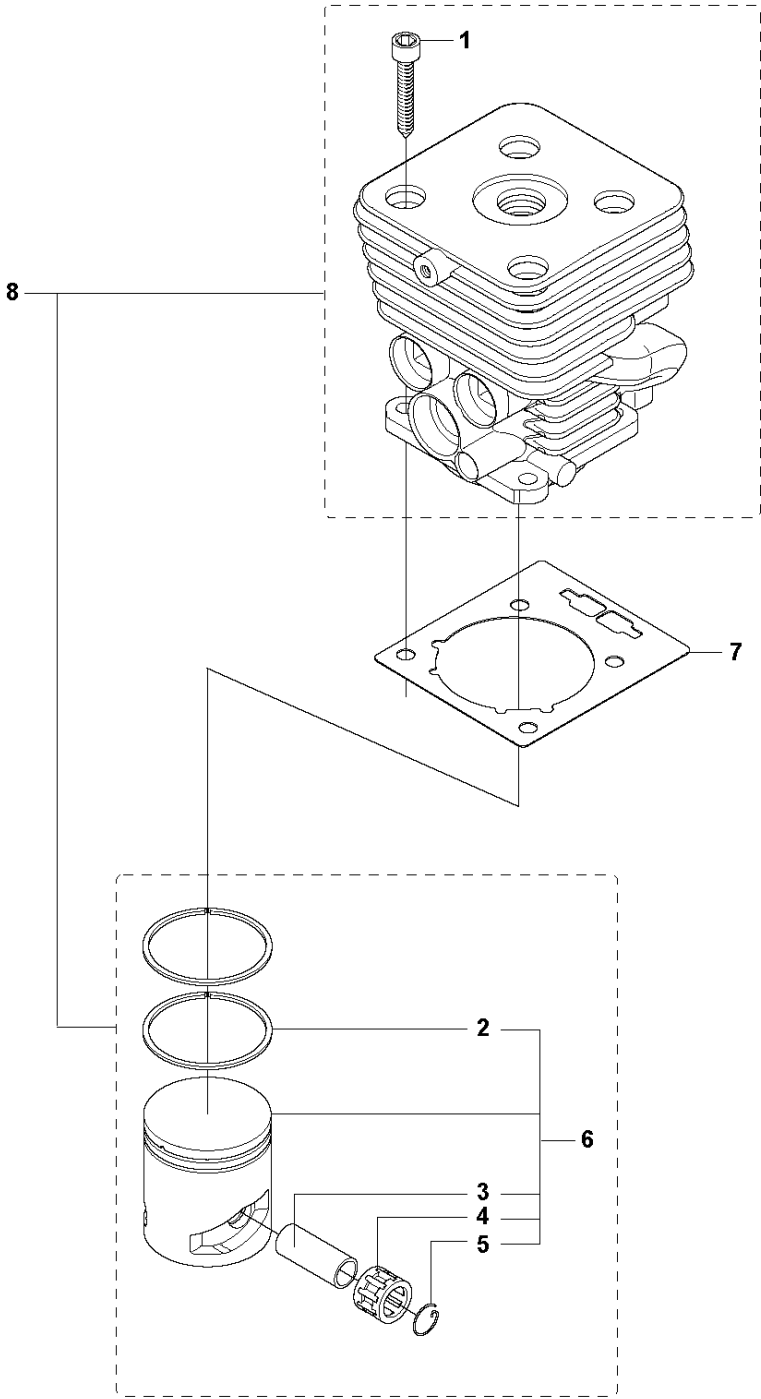


IGNITION SYSTEM & CLUTCH

535 FBX

Ref	Part No	Description	Remark	QTY KIT
1	503 21 66-18	SCREW IHSCT		2
2	544 12 70-02	IGNITION MODULE		1
4	503 23 51-09	SPARK PLUG	CH RCJ6Y (Ø=14 mm)	1
5	731 71 16-51	HEXAGON NUT FLANGE		1
6	537 24 96-01	FLYWHEEL		1

P 535FBX
CYLINDER PISTON

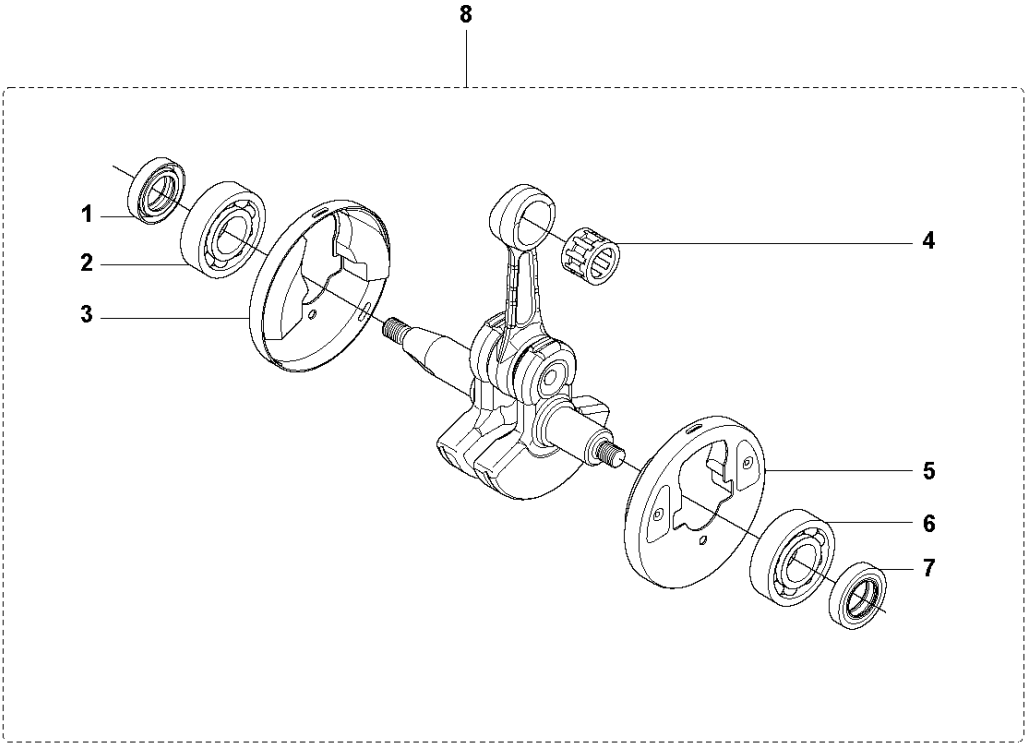


CYLINDER PISTON

535 FBX

Ref	Part No	Description	Remark	QTY	KIT
1	503 20 08-23	SCREW IHSCM		4	8
2	503 28 90-54	PISTON RING		2	6,8
3	503 28 91-19	PISTON PIN		1	6,8
4	503 41 41-01	NEEDLE BEARING		1	6,8
5	737 44 10-00	SNAP RING		2	6,8
6	585 99 83-02	PISTON ASSY		1	8
7	537 33 30-01	GASKET		1	
8	544 40 06-01	CYLINDER ASSY	Ø = 38mm. 574 36 43-01	1	

Q 535FBX
CRANK SHAFT

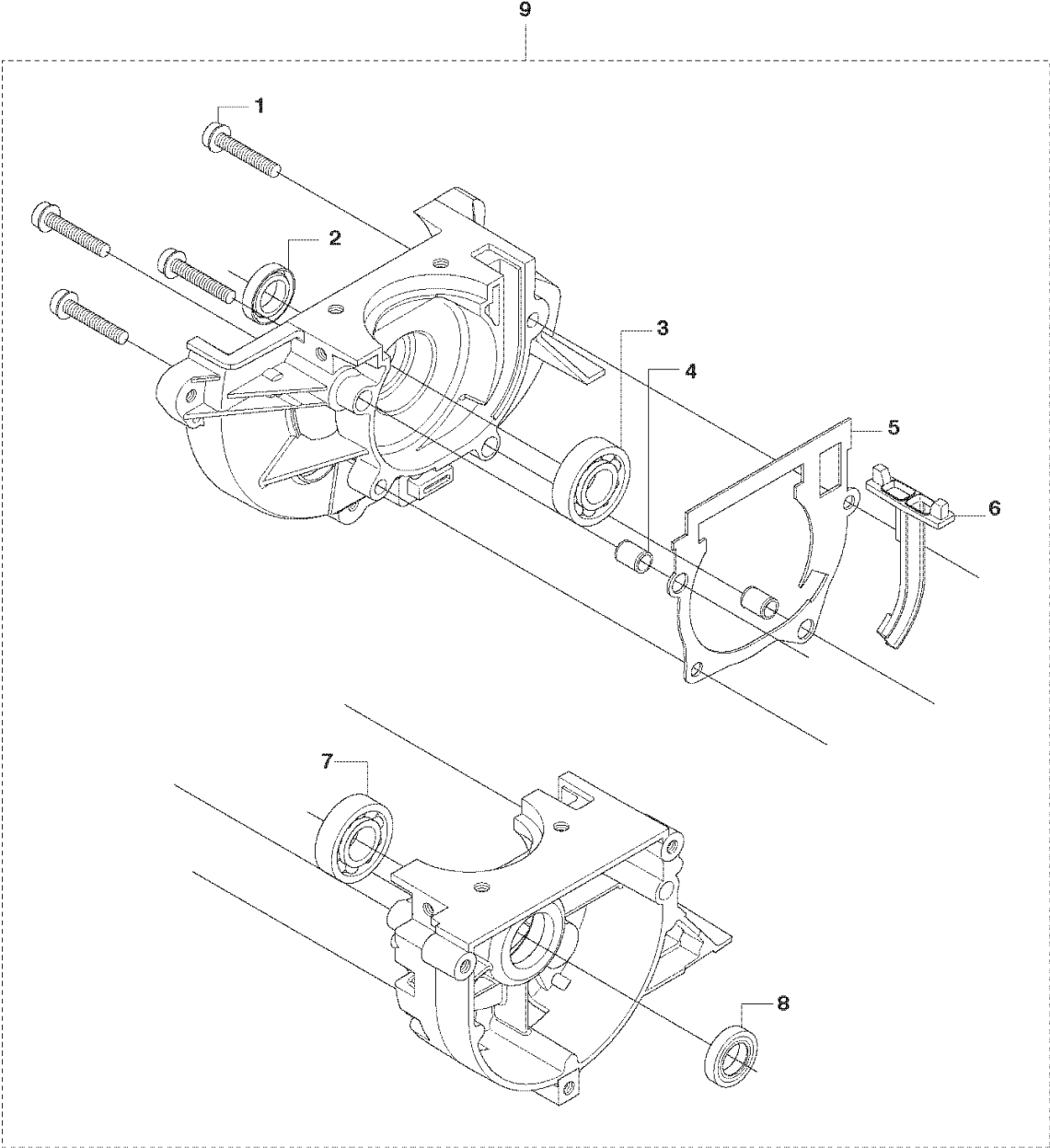


CRANKSHAFT

535 FBX

Ref	Part No	Description	Remark	QTY	KIT
1	503 26 02-02	SEALING RING		1	8
2	738 21 01-10	BALL BEARING		1	8
3	537 29 76-01	CUP		1	8
4	503 41 41-01	NEEDLE BEARING		1	8
5	537 29 76-01	CUP		1	8
6	738 21 01-10	BALL BEARING		1	8
7	503 26 02-02	SEALING RING		1	8
8	544 03 90-01	CRANKSHAFT ASSY		1	

R 535FBX
CRANK CASE

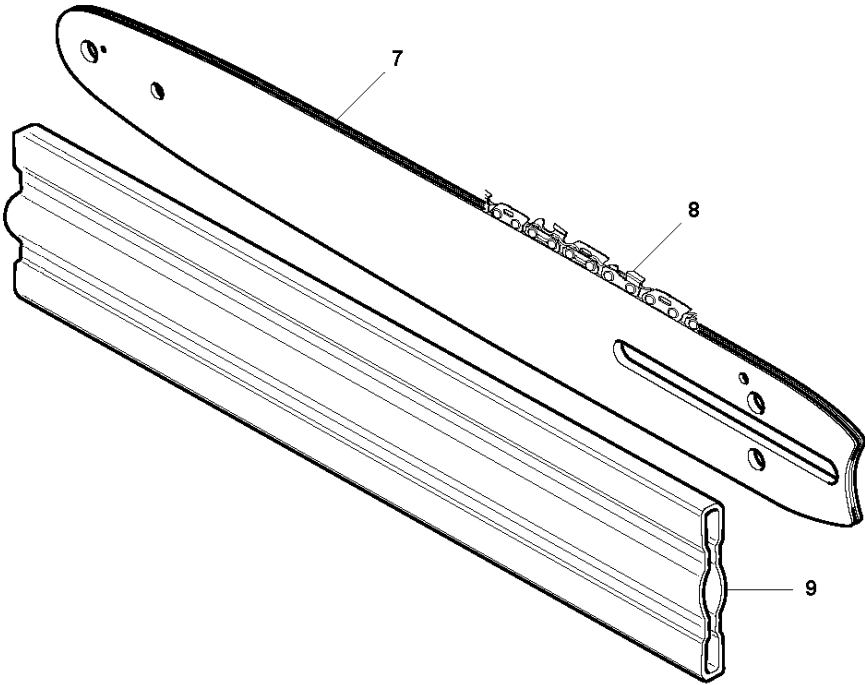
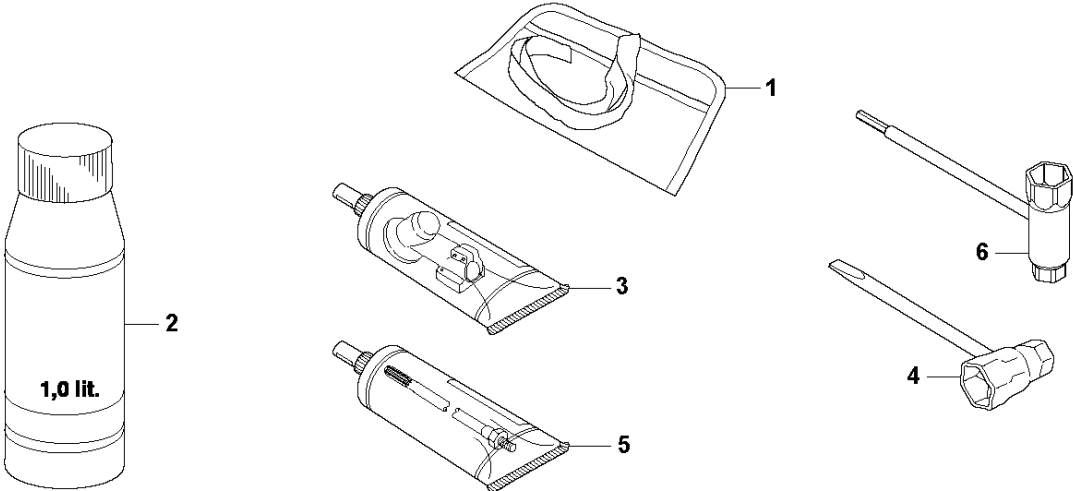


CRANKCASE

535 FBX

Ref	Part No	Description	Remark	QTY	KIT
1	503 20 02-30	SCREW IHSCFM		4	9
2	503 26 02-02	SEALING RING		1	9
3	738 21 01-10	BALL BEARING		1	9
4	593 80 60-01	GUIDE BUSHING		2	9
5	593 77 76-01	GASKET		1	9
6	537 32 42-01	INSERT		1	9
7	738 21 01-10	BALL BEARING		1	9
8	503 26 02-02	SEALING RING		1	9
9	544 03 89-01	CRANKCASE ASSY	s/n up to - 20151500018 (Magnesium)	1	
9	585 38 22-01	CRANKCASE ASSY	s/n from 20151500019 - (Aluminium)	1	

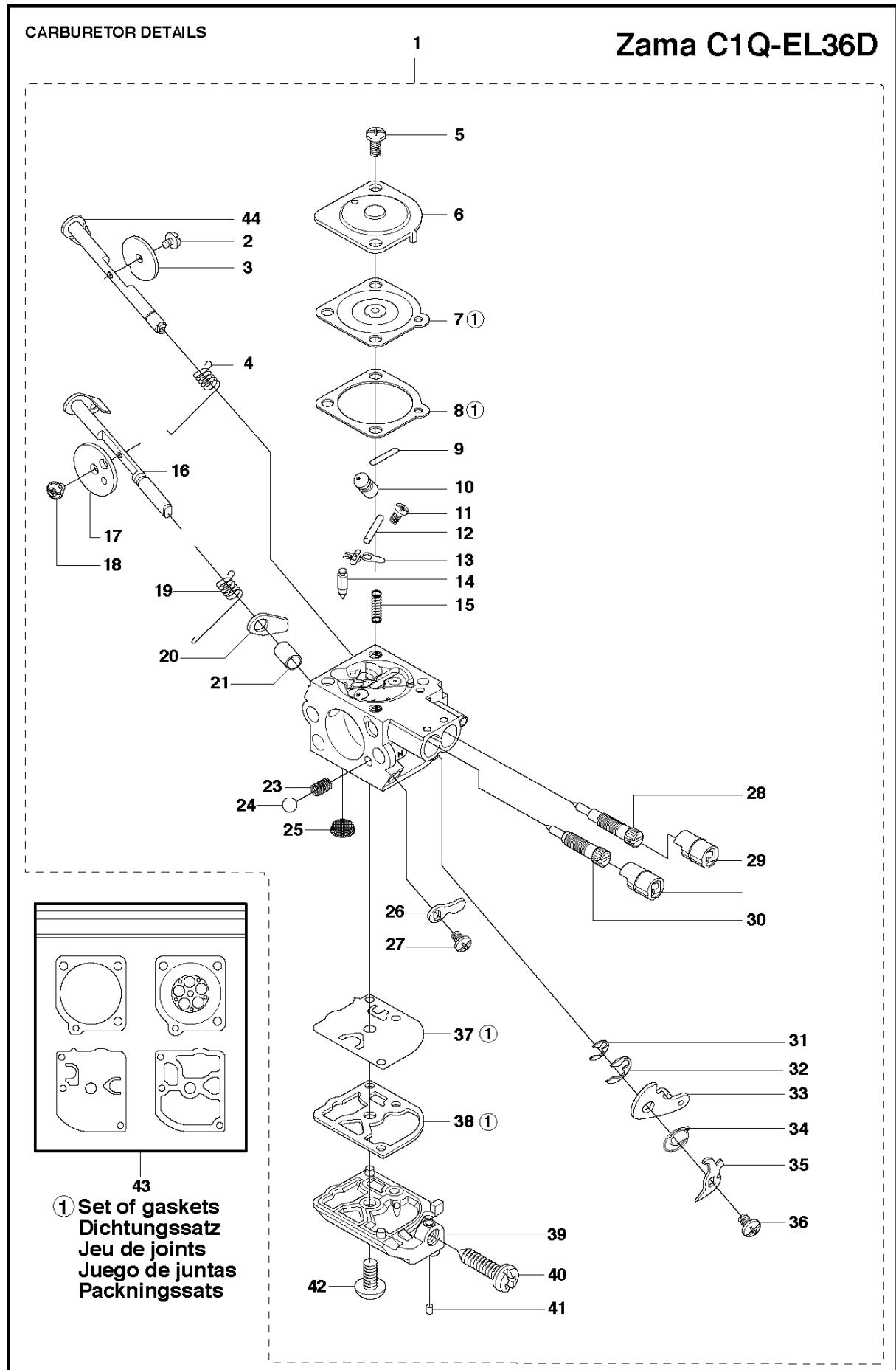
T 535FBX
ACCESSORIES



ACCESSORIES

535 FBX

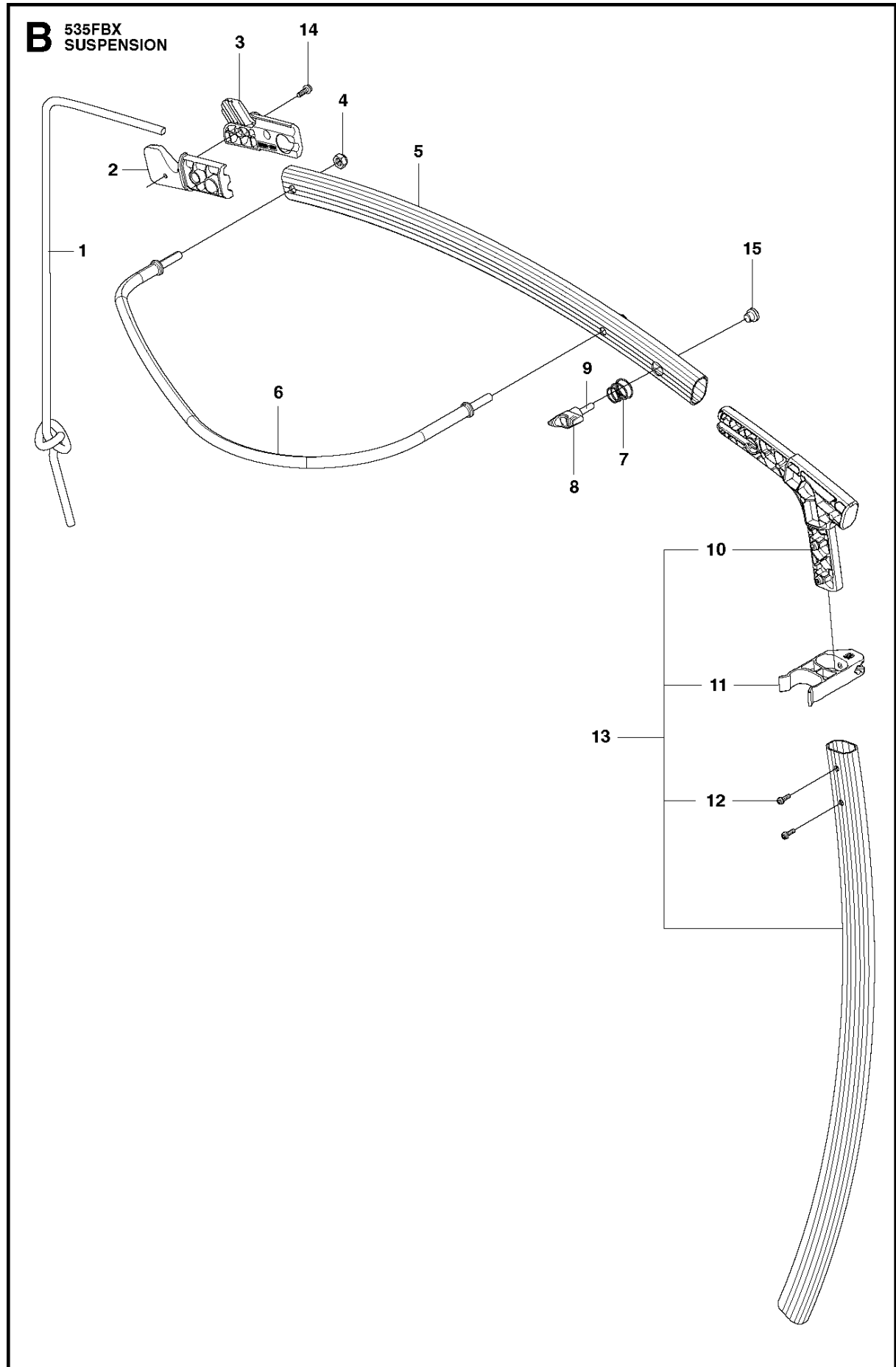
Ref	Part No	Description	Remark	QTY KIT
1	501 19 22-01	TOOL		1
2	531 00 92-48	FILTER OIL	Oil Airfilter	1
3	503 98 96-05	GREASE		1
4	501 69 17-01	COMBINATION WRENCH		1
5	503 80 17-01	GREASE		1
6	537 36 21-01	COMBINATION WRENCH		1
7	578 40 01-56	BAR	13" 325 1,3mm 56DL	1
8	581 64 31-56	SAW CHAIN	325 1,3mm SP33G	1
9	537 12 99-01	BAR COVER		1



CARBURETOR

535 FBX

Ref	Part No	Description	Remark	QTY	KIT
1	581 16 75-01	CARBURETTOR		1	
2	503 47 92-01	SCREW		1	1
3	537 41 72-01	VALVE		1	1
4	544 37 24-01	SPRING		1	1
5	503 48 05-01	SCREW		2	1
6	503 97 43-01	COVER		1	1
7	537 04 89-01	DIAPHRAGM		1	1, 43
8	537 02 04-01	GASKET		1	1, 43
9	503 53 56-01	PLUG WELCH		1	1
10	581 89 95-01	MAIN NOZZLE		1	1
11	503 48 01-01	SCREW		1	1
12	503 48 00-01	PIN RETAINING SCREW		1	1
13	503 66 59-01	LEVER		1	1
14	503 47 97-01	VALVE		1	1
15	503 47 81-01	SPRING		1	1
16	544 37 22-01	SHAFT ASSY		1	1
17	537 37 03-01	VALVE		1	1
18	503 48 18-01	SCREW		1	1
19	544 37 26-01	SPRING		1	1
20	544 37 25-01	LEVER		1	1
21	544 42 70-01	COLLAR		1	1
23	537 01 26-01	SPRING		1	1
24	537 01 25-01	BALL		1	1
25	503 48 13-01	STRAINER		1	1
26	544 37 23-01	LEVER		1	1
27	503 47 90-01	SCREW		1	1
28	537 41 69-01	SCREW		1	1
29	537 41 70-01	LIMITER CAP		2	1
30	581 89 93-01	SCREW		1	1
31	537 38 52-01	CLIP		1	1
32	537 38 50-01	CLIP		1	1
33	537 41 73-01	LEVER		1	1
34	576 74 66-01	SPRING		1	1
35	537 41 74-01	LEVER		1	1
36	502 07 84-01	SCREW		1	1
37	537 02 00-01	DIAPHRAGM PUMP		1	1, 43
38	537 02 01-01	GASKET		1	1, 43
39	537 41 68-01	COVER		1	1
40	537 02 07-01	SCREW		1	1
41	503 48 11-01	PIECE		1	1
42	503 47 96-01	SCREW		1	1
43	531 00 45-52	GASKET KIT		1	
44	544 37 21-01	SHAFT ASSY		1	1



SUSPENSION

535 FBX

Ref	Part No	Description	Remark	QTY	KIT
1	523 34 69-01	ELASTIC STRING		1	
2	577 87 42-01	CLAMP STRAP		1	
3	577 87 43-01	CLAMP STRAP		1	
4	732 25 18-01	HEXAGON LOCKING NUT		1	
5	510 36 19-01	BAR		1	
6	522 43 92-01	PROTECTIVE TUBING		1	
7	574 44 85-01	SPRING		1	
8	503 87 90-01	KNOB		1	
9	725 23 74-51	SCREW EHHM		1	
10	523 08 57-01	CONNECTION		1	13
11	523 09 59-01	BAR		1	13
12	503 21 75-72	SCREW IHSCFT		2	13
13	523 08 76-01	BAR		1	
14	503 21 07-16	SCREW IHSCFT		1	
15	525 23 83-01	RIVET NUT		1	