

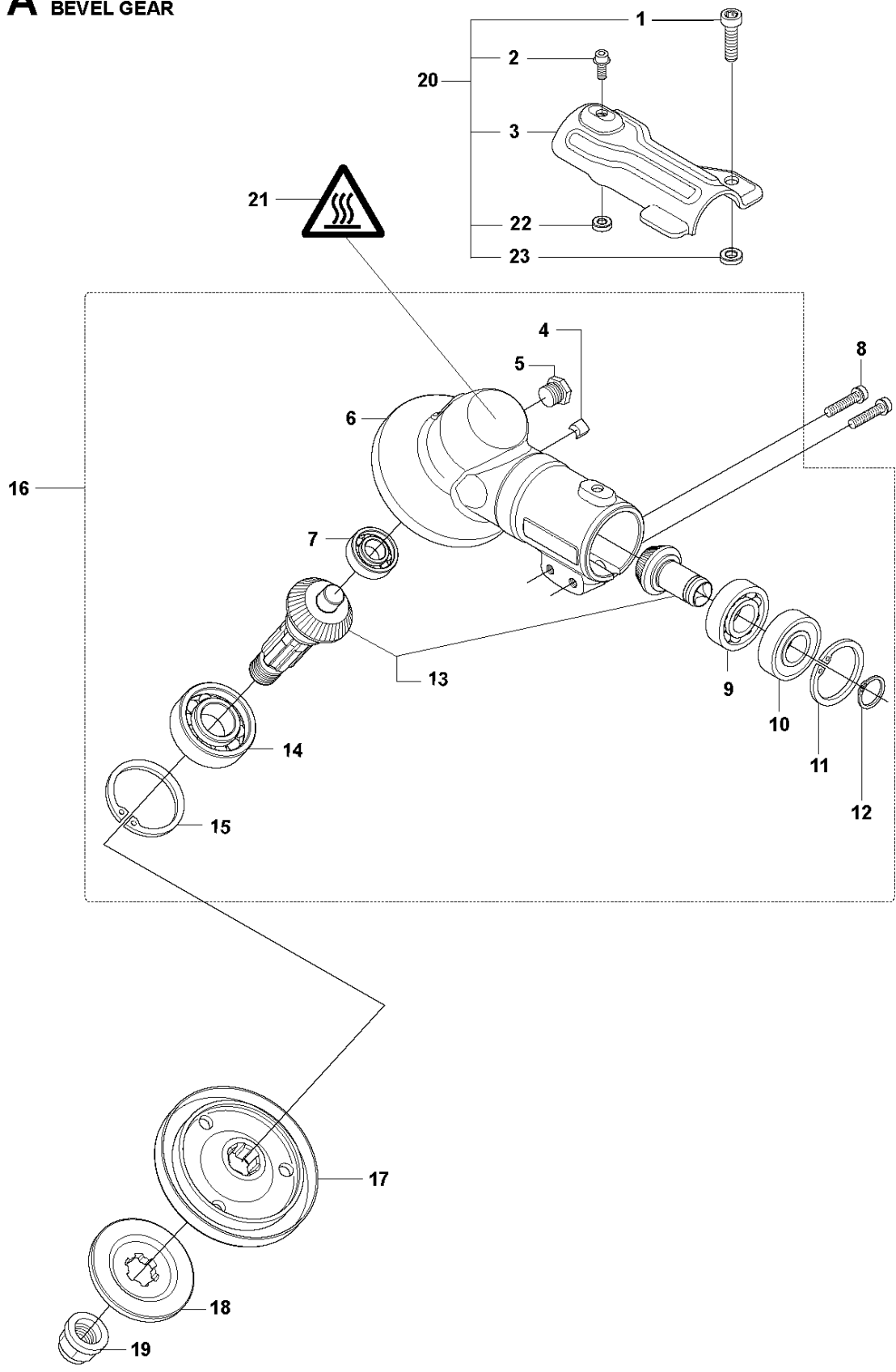


# SPARE PARTS LIST

BRUSHCUTTERS/CLEARING SAWS

535 iRXT/iRX

**A** 535iRXT / 535iRX  
BEVEL GEAR

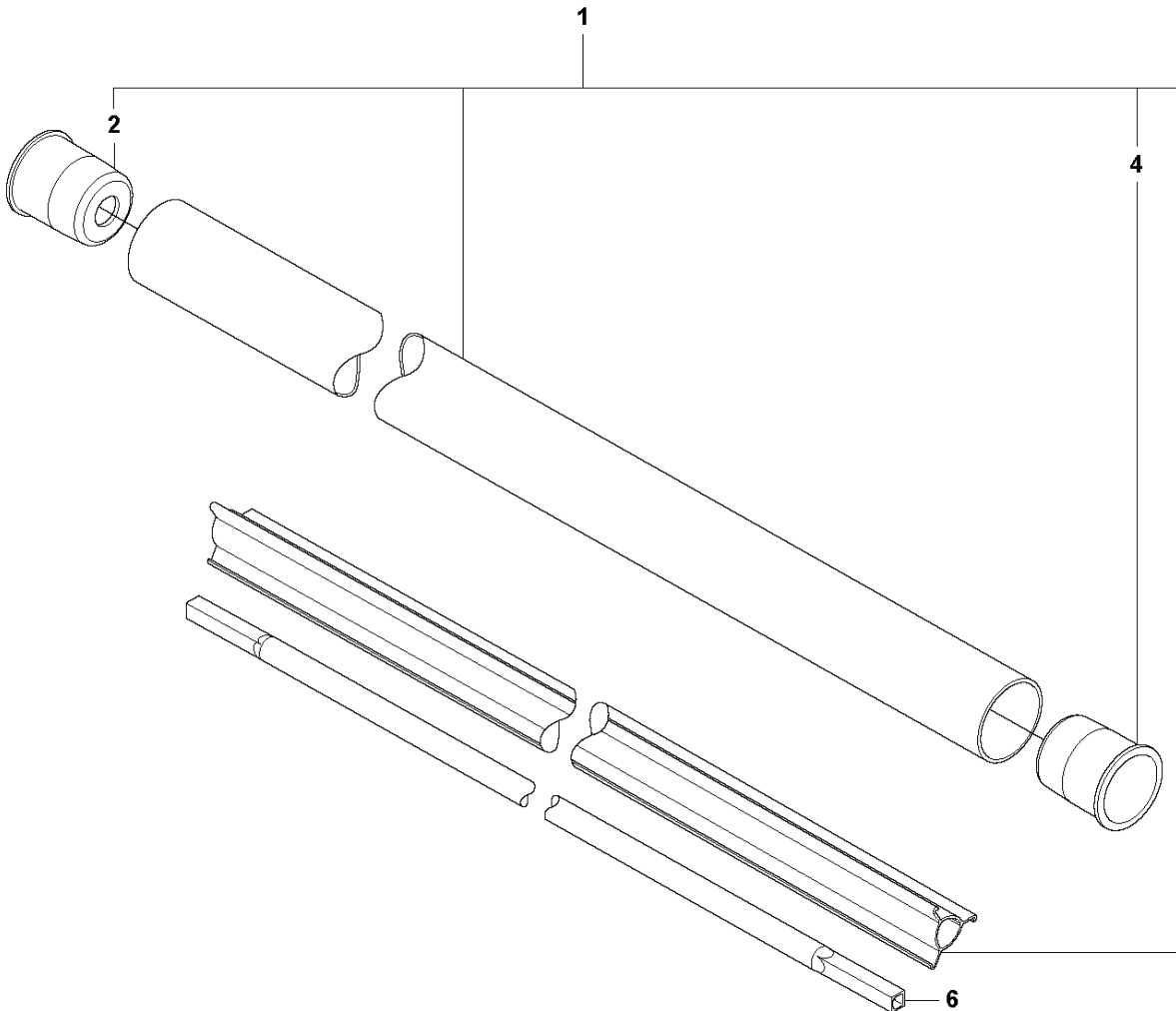


## BEVEL GEAR

535 iRXT/iRX

Ref	Part No	Description	Remark	QTY	KIT
1	544 21 84-22	SCREW ITXSCM		1	20
2	525 75 51-11	SCREW ITXSCFM		1	20
3	544 08 76-01	CLAMP		1	20
4	537 14 74-01	MAGNET		1	16
5	503 20 15-01	SCREW		1	16
6	537 29 59-02	GEAR HOUSING		1	16
7	738 21 99-00	BALL BEARING		1	16
8	525 75 51-04	SCREW ITXSCFM		2	
9	738 21 01-10	BALL BEARING		1	16
10	738 21 01-12	BALL BEARING		1	16
11	735 31 28-10	CIRCLIP		1	16
12	735 31 14-00	CIRCLIP		1	16
13	505 13 33-01	SPARE PARTS KIT		1	16
14	503 25 28-01	BALL BEARING		1	16
15	735 31 31-10	CIRCLIP		1	16
16	537 29 58-03	BEVEL GEAR		1	16
17	537 35 14-02	DRIVER	"(1")"	1	
18	537 34 35-02	SUPPORT FLANGE		1	
19	502 29 11-01	BLADE NUT		1	
20	574 30 68-04	CLAMP		1	
21	544 84 33-01	LABEL		1	
22	574 03 95-01	LOCK NUT		1	20
23	574 40 44-01	LOCK NUT		1	20

**B** 535iRXT / 535iRX  
SHAFT



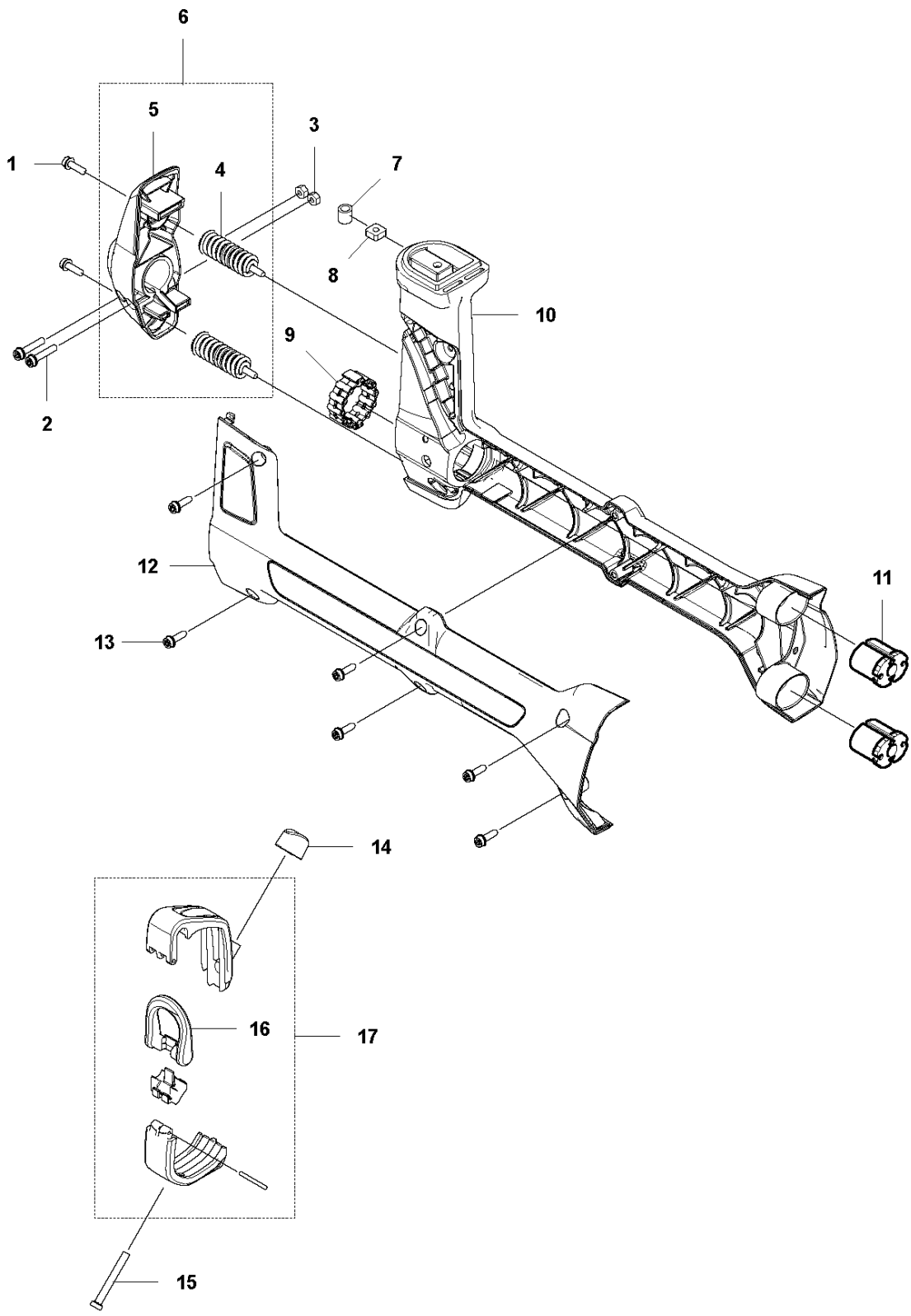
7

SHAFT

535 iRXT/iRX

Ref	Part No	Description	Remark	QTY	KIT
1	501 91 97-03	TUBE ASSY		1	
2	537 36 02-01	SPACER		1	1
4	537 36 02-01	SPACER		1	1
6	537 35 52-03	DRIVE SHAFT		1	
7	577 84 43-01	DECAL		1	

**C** 535iRXT / 535iRX  
SUSPENSION

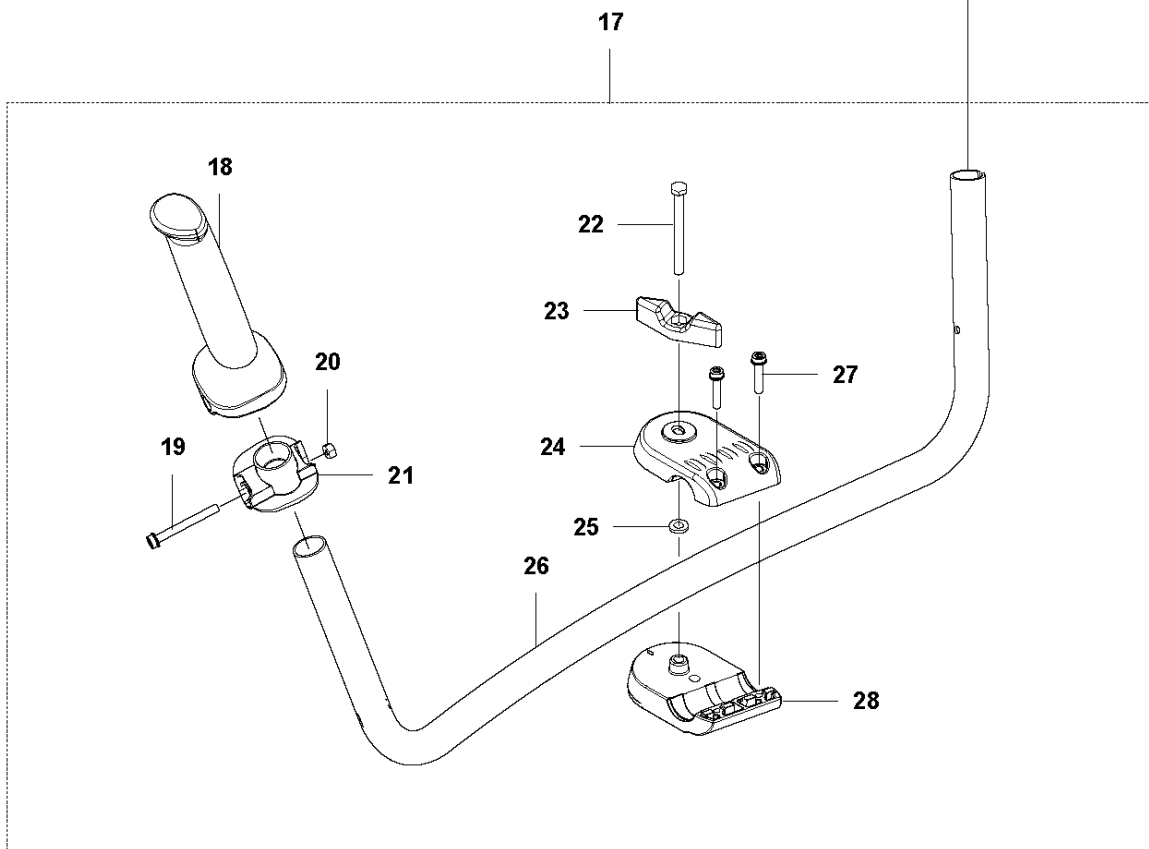
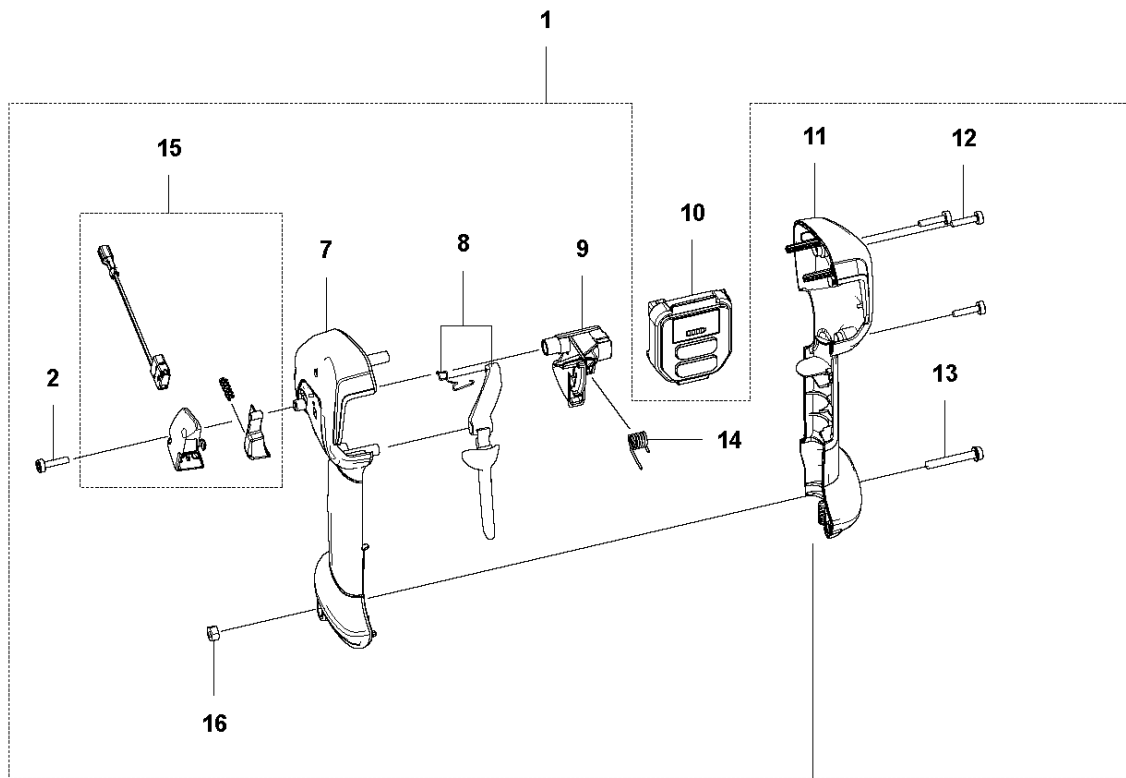


## SUSPENSION

535 iRXT/iRX

Ref	Part No	Description	Remark	QTY	KIT
1	525 75 51-01	SCREW ITXSCFM		2	
2	525 75 51-04	SCREW ITXSCFM		2	
3	503 22 10-12	HEXAGON NUT		2	
4	588 82 99-01	ANTIVIBRATION ELEMENT		2	6
5	591 37 35-01	HOLDER		1	6
6	596 90 21-01	HOLDER KIT		1	
7	503 85 73-01	COVER		1	
8	502 19 71-01	SQUARE NUT		1	
9	591 36 59-01	DEFLECTION LIMITER		1	
10	591 19 08-01	SUSPENSION		1	
11	510 20 87-01	ANTIVIBRATION ELEMENT		2	
12	591 35 96-01	WEAR PROTECTION		1	
13	573 92 58-01	SCREW ITXSCFT		6	
14	537 13 04-02	KNOB		1	
15	725 23 40-51	SCREW EHHM		1	
16	537 35 01-01	LOOP		1	17
17	591 45 78-01	LOOP		1	

**D** 535iRXT / 535iRX  
HANDLE

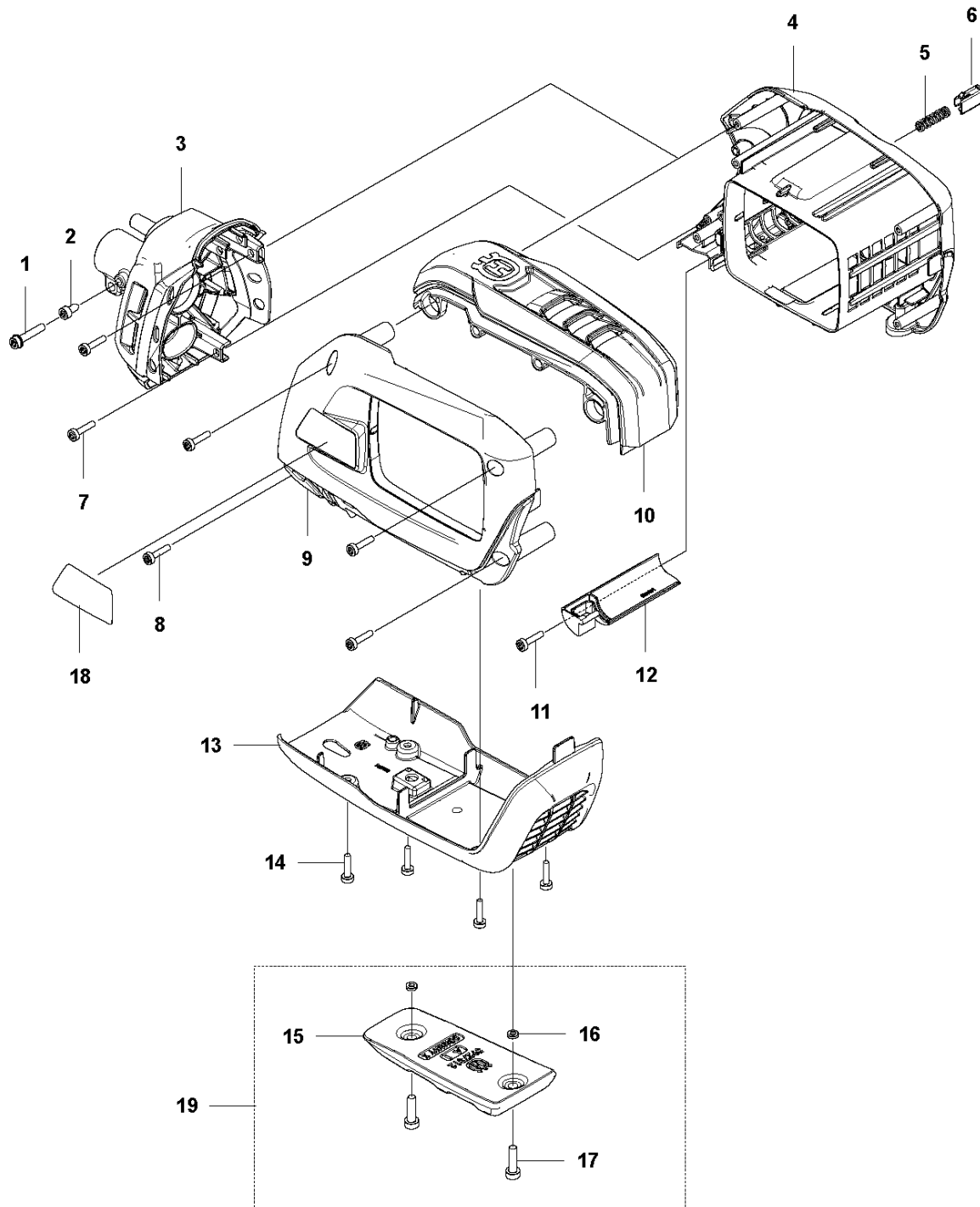


## HANDLE

535 iRXT/iRX

Ref	Part No	Description	Remark	QTY KIT	
1	596 90 16-01	HANDLE	iRX	1	
1	596 91 44-01	HANDLE	iRXT	1	
2	580 29 29-01	SCREW ITXSCT		1	1
7	593 16 54-01	HANDLE HALF	iRX	1	1
7	593 16 54-02	HANDLE HALF	iRXT	1	1
8	598 72 15-01	THROTTLE LOCKOUT		1	1
9	593 04 43-01	THROTTLE CONTROL ASSY		1	1
10	593 84 11-01	CONTROL PANEL	PNC 967 85 06-01	1	
10	593 84 12-01	CONTROL PANEL	PNC 967 85 06-02&-03 w/o Bluetooth	1	
11	593 16 55-01	HANDLE HALF		1	1
12	580 29 29-01	SCREW ITXSCT		3	1
13	525 75 51-09	SCREW ITXSFCM		1	1
14	593 83 86-01	SPRING		1	1
15	593 84 13-02	BUTTON ASSY	iRXT only	1	1
16	503 22 10-12	HEXAGON NUT		1	1
17	593 62 40-01	HANDLEBAR ASSY		1	
18	537 17 28-03	HANDLE		1	17
19	525 75 51-06	SCREW ITXSFCM		1	17
20	731 23 14-01	HEXAGON NUT		1	17
21	537 17 29-02	BRACKET		1	17
22	725 23 83-81	SCREW EHHM		1	17
23	502 20 38-01	KNOB		1	17
24	582 76 12-03	HANDLEBAR BRACKET		1	17
25	502 28 21-01	WASHER		1	17
26	593 05 43-01	HANDLEBAR		1	17
27	525 75 52-02	SCREW ITXSFCM		2	17
28	582 76 23-03	HANDLEBAR BRACKET		1	17

**E** 535iRXT / 535iRX  
HOUSING

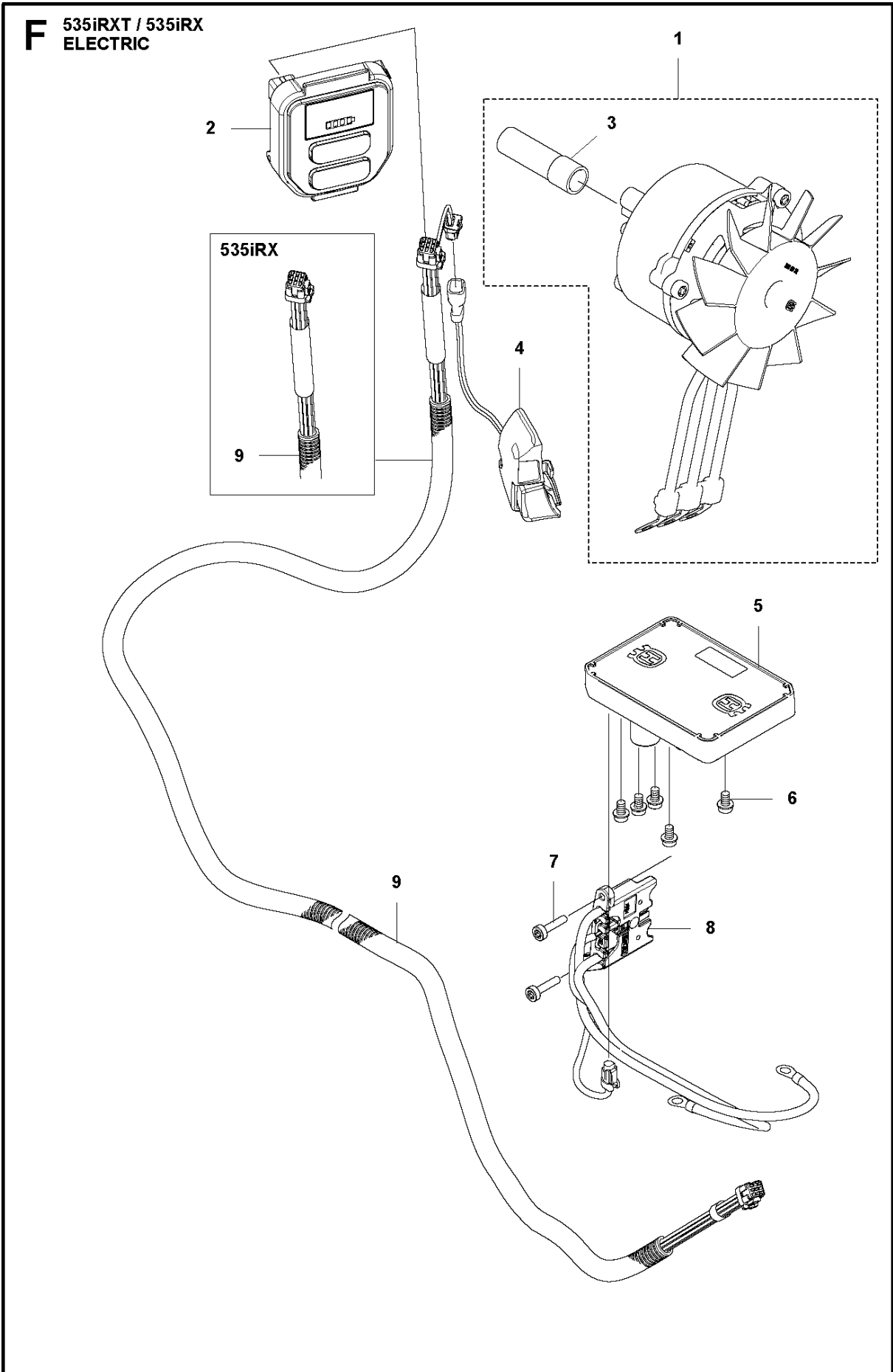


## HOUSING

535 iRXT/iRX

Ref	Part No	Description	Remark	QTY	KIT
1	525 75 51-04	SCREW ITXSCFM		1	
2	525 76 46-05	SCREW ITXSCT		1	
3	590 78 09-01	MOTOR COVER		1	
4	590 77 25-01	COVER		1	
5	585 48 00-01	SPRING		1	
6	577 99 66-01	PUSH BUTTON		1	
7	580 29 29-01	SCREW ITXSCT		2	
8	580 29 29-01	SCREW ITXSCT		4	
9	590 77 24-01	COVER		1	
10	590 77 06-01	COVER		1	
11	580 29 29-01	SCREW ITXSCT		1	
12	593 10 89-01	AIR CONDUCTOR		1	
13	590 77 11-01	SKID PLATE		1	
14	580 29 29-01	SCREW ITXSCT		4	
15	592 73 12-01	WEIGHT		1	19
16	574 40 44-01	LOCK NUT		2	19
17	544 21 84-20	SCREW ITXSCM		2	19
18	593 34 98-01	DECAL	PNC 967 85 06-01	1	
18	593 34 98-03	DECAL	PNC 967 85 06-02&-03 w/o Bluetooth	1	
19	593 34 91-01	WEIGHT		1	

**F** 535iRXT / 535iRX  
ELECTRIC

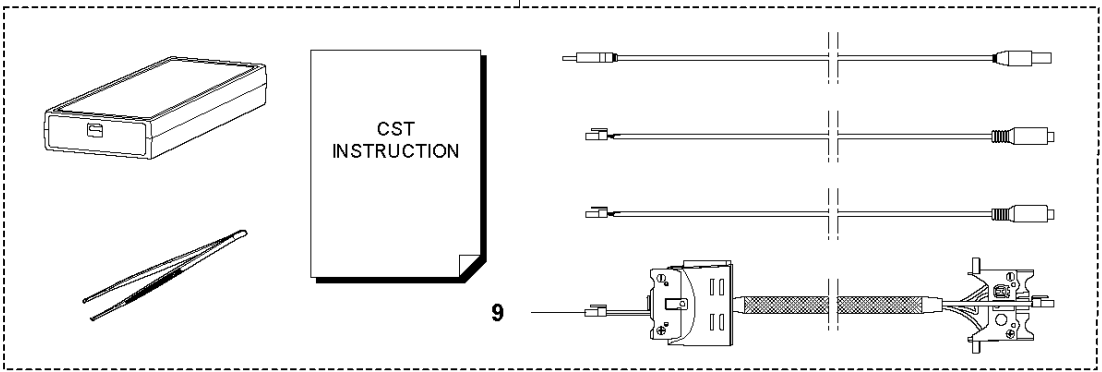
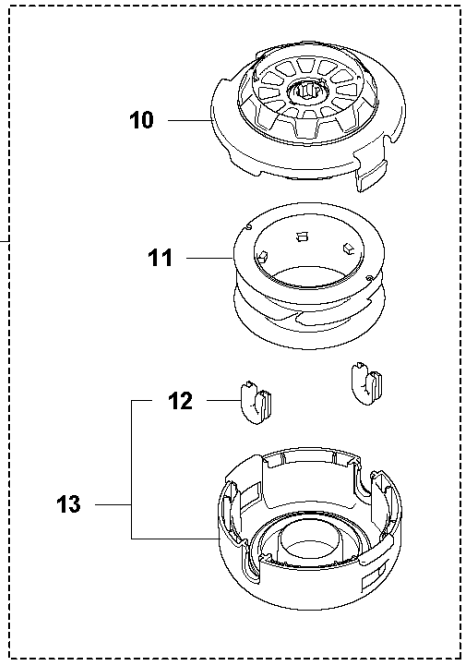
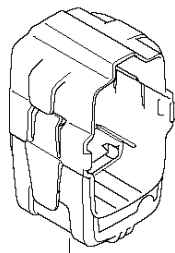
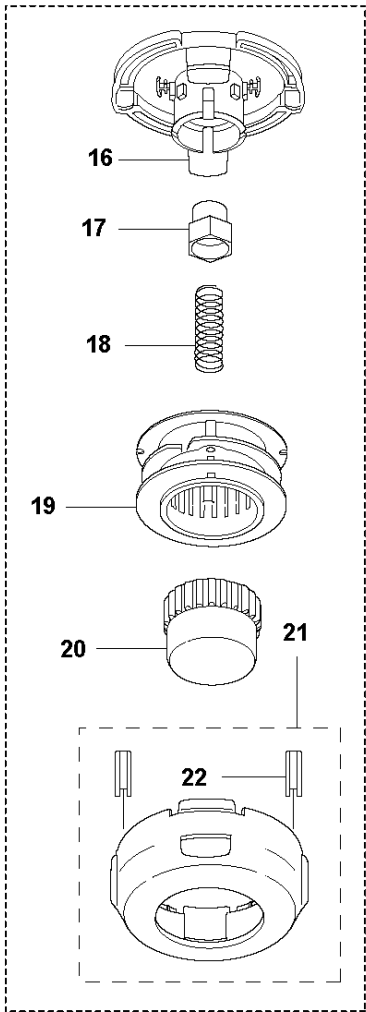
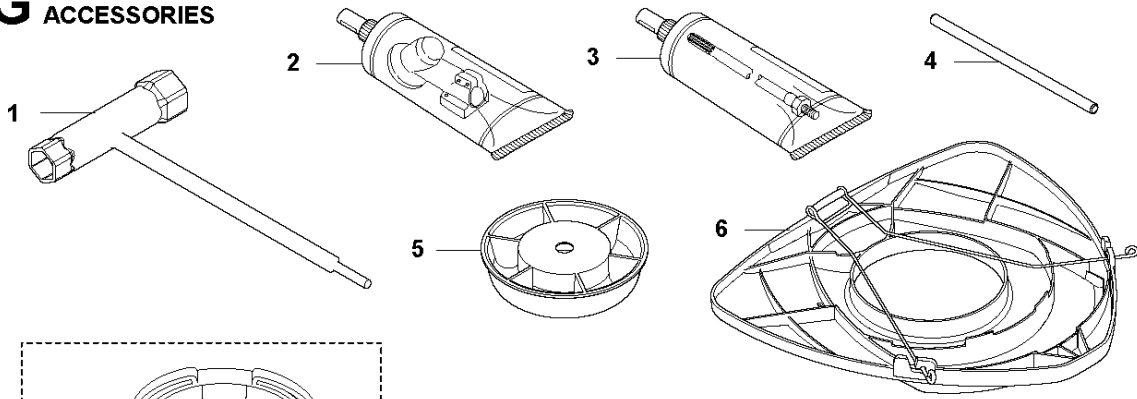


ELECTRICAL

535 iRXT/iRX

Ref	Part No	Description	Remark	QTY	KIT
1	597 11 75-01	MOTOR ASSY		1	
2	593 84 11-01	CONTROL PANEL	PNC 967 85 06-01	1	
3	591 35 59-01	ADAPTER		1	1
4	593 84 13-02	BUTTON ASSY	iRXT	1	
5	597 66 95-01	CONTROL UNIT		1	
6	525 75 51-07	SCREW ITXSCFM		5	
7	580 29 29-01	SCREW ITXSCT		2	
8	593 08 39-01	WIRING ASSY		1	
9	593 58 99-01	WIRING ASSY	iRXT	1	
9	597 43 72-01	WIRING ASSY	iRX	1	

**G** 535iRXT / 535iRX  
ACCESSORIES

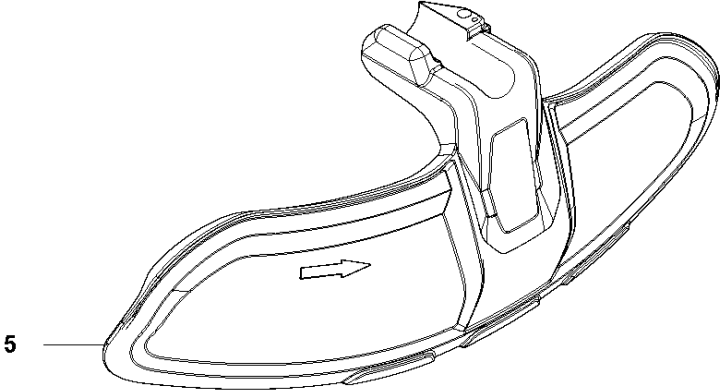
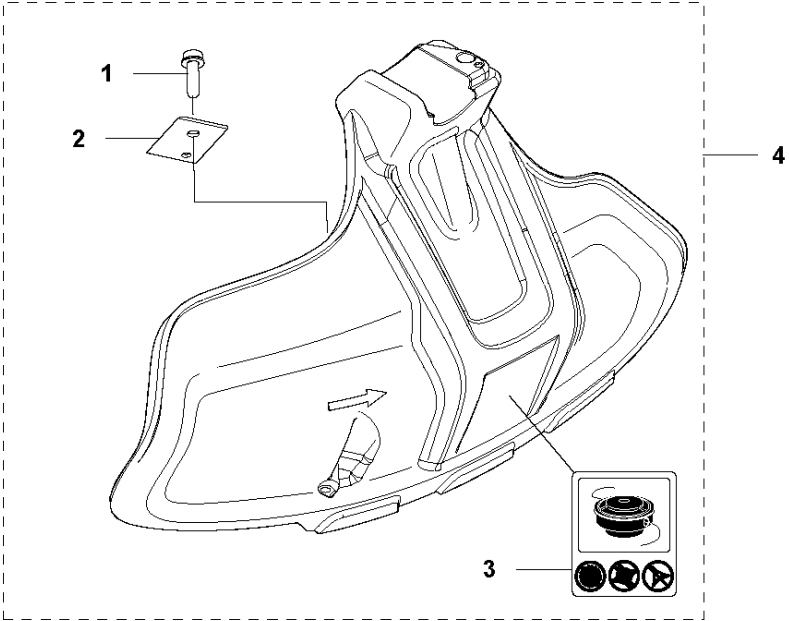


## ACCESSORIES

535 iRXT/iRX

Ref	Part No	Description	Remark	QTY KIT	
1	575 73 82-02	COMBINATION WRENCH		1	
2	503 97 64-01	GREASE		1	
3	503 80 17-01	GREASE		1	
4	502 28 59-01	STOP		1	
5	503 89 01-02	SUPPORT CUP		1	
6	544 35 91-01	TRANSPORT GUARD		1	
7	537 14 94-04	GRASS BLADE	"300 3T 1""	1	
8	583 89 71-01	DIAGNOSTIC TOOL KIT		1	
9	579 62 13-01	WIRING ASSY		1	8
10	592 75 88-01	HOUSING ASSY		1	14
11	592 75 96-01	SPOOL		1	14
12	595 01 51-01	EYELET		2	14
13	592 75 97-01	COVER ASSY		1	14
14	594 72 70-01	TRIMMER HEAD	E35B iRXT	1	
15	578 44 64-01	TRIMMER HEAD	T35	1	
16	537 18 55-01	HOUSING		1	15
17	537 18 61-02	ADAPTER		1	15
18	537 18 60-01	SPRING		1	15
19	537 18 57-01	REEL		1	15
20	537 18 58-01	KNOB		1	15
21	544 04 44-02	LID		1	15
22	501 33 04-01	GROMMET		2	15
23	590 11 42-02	CARRIER		1	

**H** 535iRXT / 535iRX  
ACCESSORIES

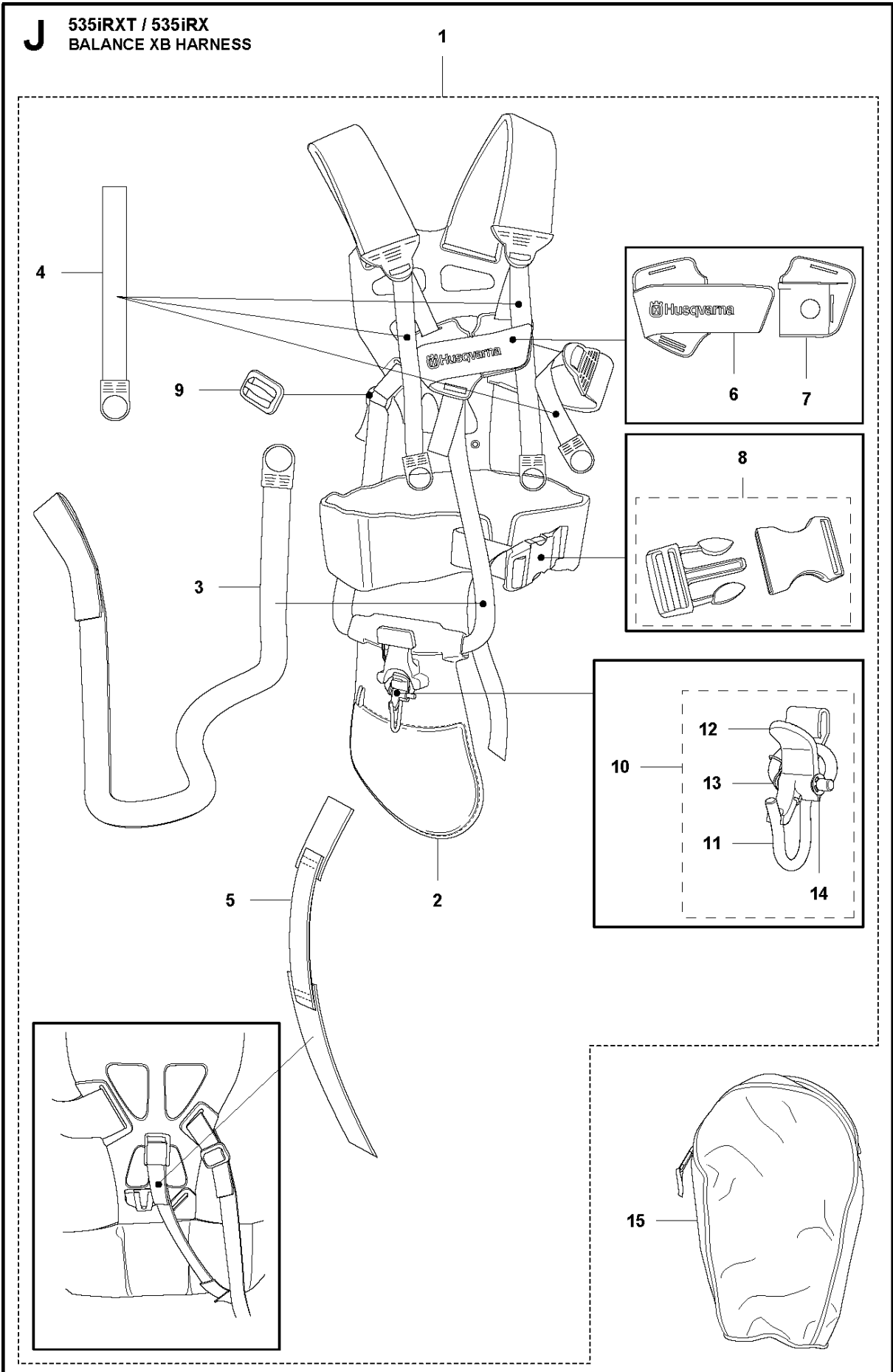


## ACCESSORIES

535 iRXT/iRX

Ref	Part No	Description	Remark	QTY	KIT
1	576 27 56-01	SCREW ITXSCFT		1	4
2	503 79 88-01	BLADE		1	4
3	503 74 29-01	DECAL		1	4
4	590 88 01-01	TRIMMER GUARD ASSY		1	
5	590 88 00-01	BLADE GUARD		1	

**J** 535iRXT / 535iRX  
BALANCE XB HARNESS

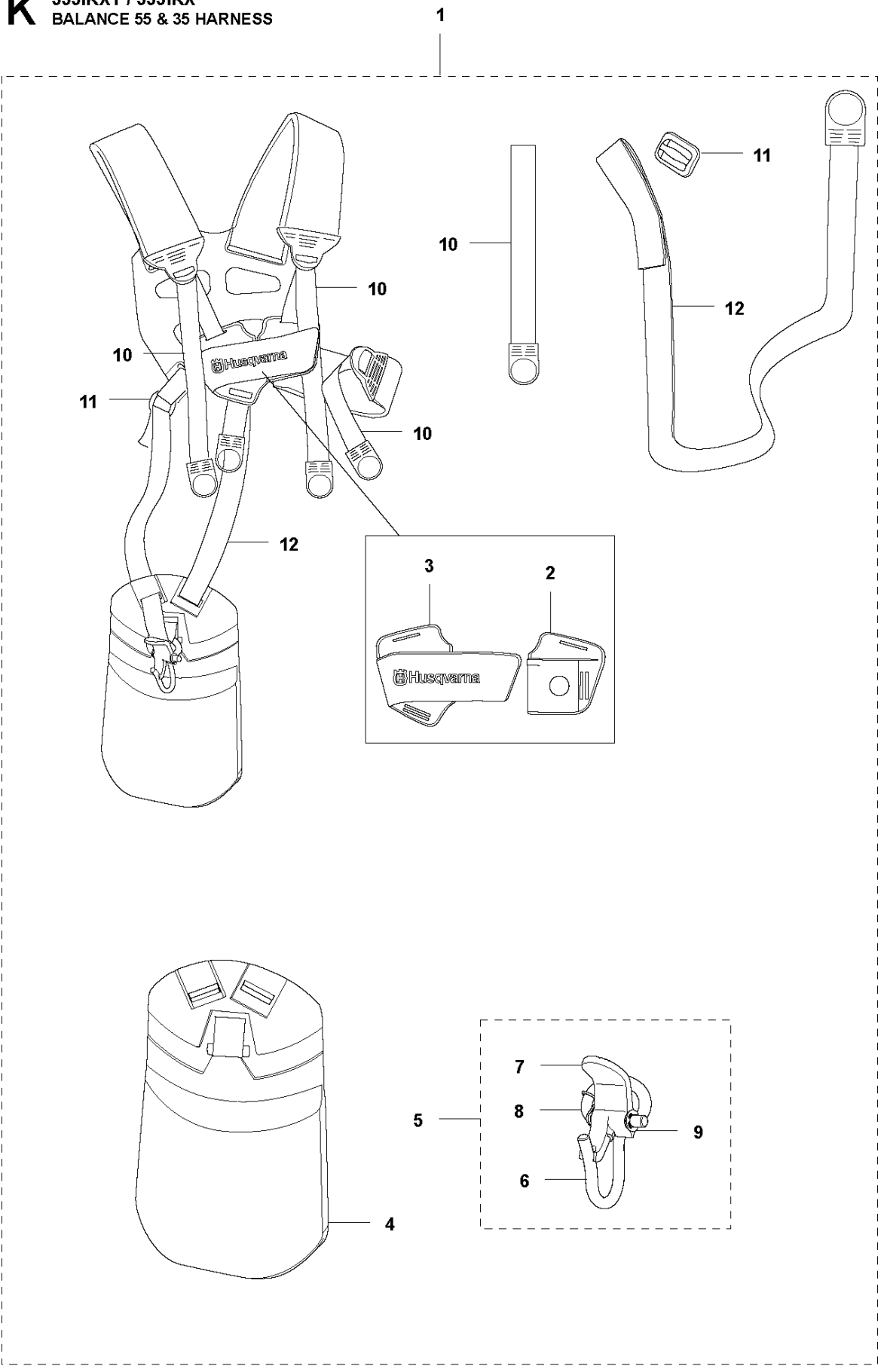


## HARNES

535 iRXT/iRX

Ref	Part No	Description	Remark	QTY	KIT
1	597 46 93-01	HARNES		1	
1	505 40 62-01	HARNES	US	1	
2	544 90 17-01	HIP PAD		1	1
3	503 99 61-03	BAND		1	1
4	503 99 61-01	BAND		3	1
5	537 15 35-01	STRAP		1	1
6	537 28 84-01	BUCKLE		1	1
7	537 28 83-01	BUCKLE		1	1
8	537 33 15-01	BUCKLE		1	1
9	537 28 70-01	BUCKLE		1	1
10	544 96 07-02	WELT HOOK		1	1
11	502 02 29-02	HOOK		1	1, 10
12	502 02 30-02	LOCK		1	1, 10
13	586 34 10-01	SPRING		1	1, 10
14	735 31 09-20	E-CLIP		1	1, 10
15	537 30 66-01	BAG	Triobalance Tool bag	1	

**K** 535iRXT / 535iRX  
BALANCE 55 & 35 HARNESS



## HARNESS

535 iRXT/iRX

Ref	Part No	Description	Remark	QTY KIT
1	537 27 57-01	HARNESS	PNC 967 85 06-03	
1	537 27 57-04	HARNESS	PNC 967 85 06-02, US	
2	537 28 83-01	BUCKLE		1
3	537 28 84-01	BUCKLE		1
4	537 27 59-01	HIP PAD		1
5	502 02 28-01	HOOK		1
6	502 02 29-02	HOOK		1,5
7	502 02 30-02	LOCK		1,5
8	502 02 38-01	SPRING		1,5
9	735 31 09-20	E-CLIP		1,5
10	503 99 61-01	BAND		1
11	537 28 70-01	BUCKLE		1
12	503 99 61-03	BAND		1