

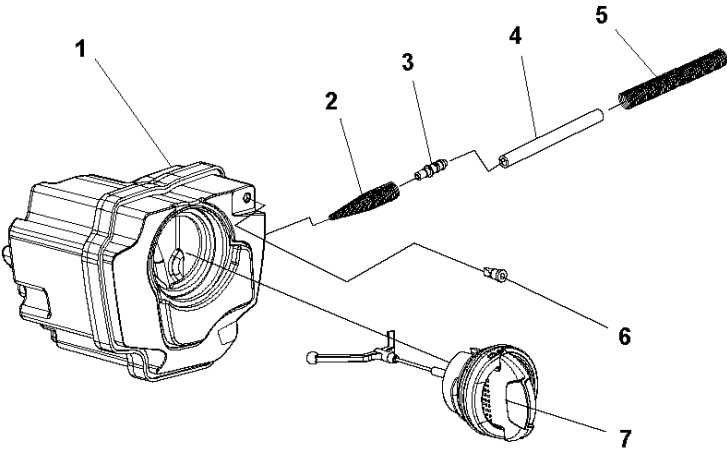


SPARE PARTS LIST

CHAIN SAWS

120i, 967098201,967098202,967098203,
967098101,967098102,
20182200001-Current

A 120i
OIL TANK



OIL TANK 120i, 967098201,967098202,967098203, 967098101,967098102, 20182200001-Current

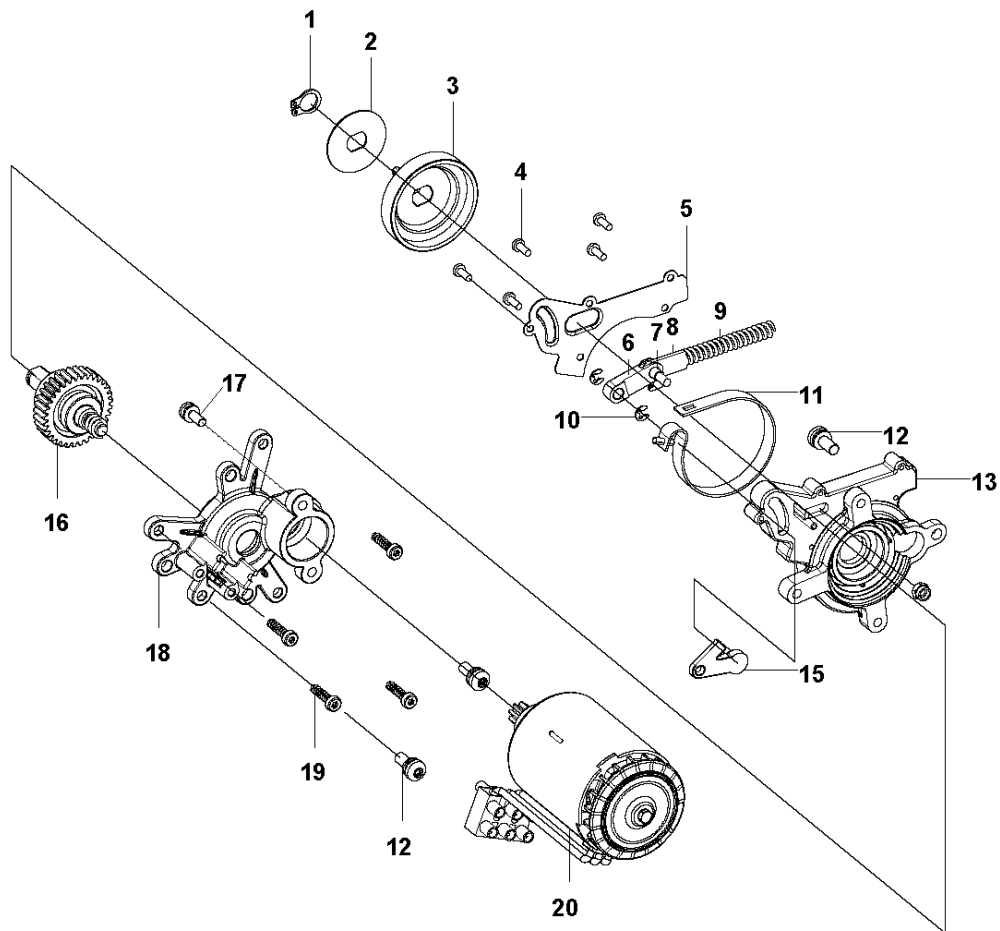
Ref	Part No	Description	Remark	QTY KIT
1	582 73 46-01	TANK ASSY		1
2	582 14 86-01	SPRING		1
3	574 80 09-01	TUBE		1
4	585 56 66-01	OIL HOSE		1
5	581 99 01-01	SPRING PIN		1
6	575 48 45-01	VALVE NIPPLE		1
7	522 62 00-03	TANK CAP ASSY		1

GEAR BOX 120i, 967098201,967098202,967098203, 967098101,967098102, 20182200001-Current

Ref	Part No	Description	Remark	QTY KIT
1	586 90 30-01	SCREW		5
2	585 58 97-01	COVER PLATE		1
3	585 60 35-01	PLATE		1
4	586 90 26-01	PEN		1
5	585 59 44-01	PLATE		1
6	585 59 05-01	BRAKE SPRING		1
7	585 59 03-01	BRAKE BAND		1
8	582 48 68-01	GEARBOX		1
9	582 86 43-01	SHAFT		1
10	582 45 47-01	GEARBOX		1
11	585 81 90-02	SCREW		4
12	586 90 28-01	SCREW		6
13	582 86 42-01	PINION		1
14	582 56 11-01	SCREW		3
15	582 45 67-01	CONNECTOR		1
16	582 49 22-01	MOTOR		1
17	587 37 77-01	CLAMP		1
18	582 48 87-01	DRIVE LINK		1
19	586 90 27-01	NUT		1
20	574 79 77-01	LOCKING RING		1
21	585 60 20-01	WASHER		1
22	585 58 96-01	SPROCKET	"3/8""-6T"	1

B2 120i
GEAR BOX

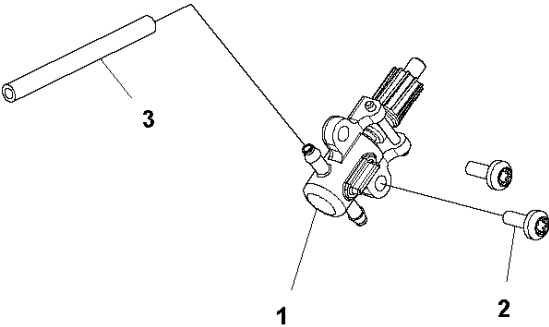
HIGHER THAN S/N 20180600001



GEAR BOX 120i, 967098201,967098202,967098203, 967098101,967098102, 20182200001-Current

Ref	Part No	Description	Remark	QTY KIT
1	574 79 77-01	LOCKING RING		1
2	585 60 20-01	WASHER		1
3	585 58 96-01	SPROCKET	"3/8""-6T"	1
4	586 90 30-01	SCREW		5
5	585 58 97-01	COVER PLATE		9
6	585 60 35-01	PLATE		1
7	586 90 26-01	PEN		2
8	585 59 44-01	PLATE		1
9	585 59 05-01	BRAKE SPRING		1
10	587 37 77-01	CLAMP		2
11	585 59 03-01	BRAKE BAND		1
12	586 90 28-01	SCREW		4
13	582 48 68-01	GEARBOX		1
14	586 90 27-01	NUT		1
15	582 48 87-01	DRIVE LINK		1
16	591 38 89-01	SHAFT		1
17	585 94 44-02	SCREW		2
18	591 07 39-01	GEARBOX		1
19	585 81 90-02	SCREW		4
20	591 09 07-01	MOTOR		1

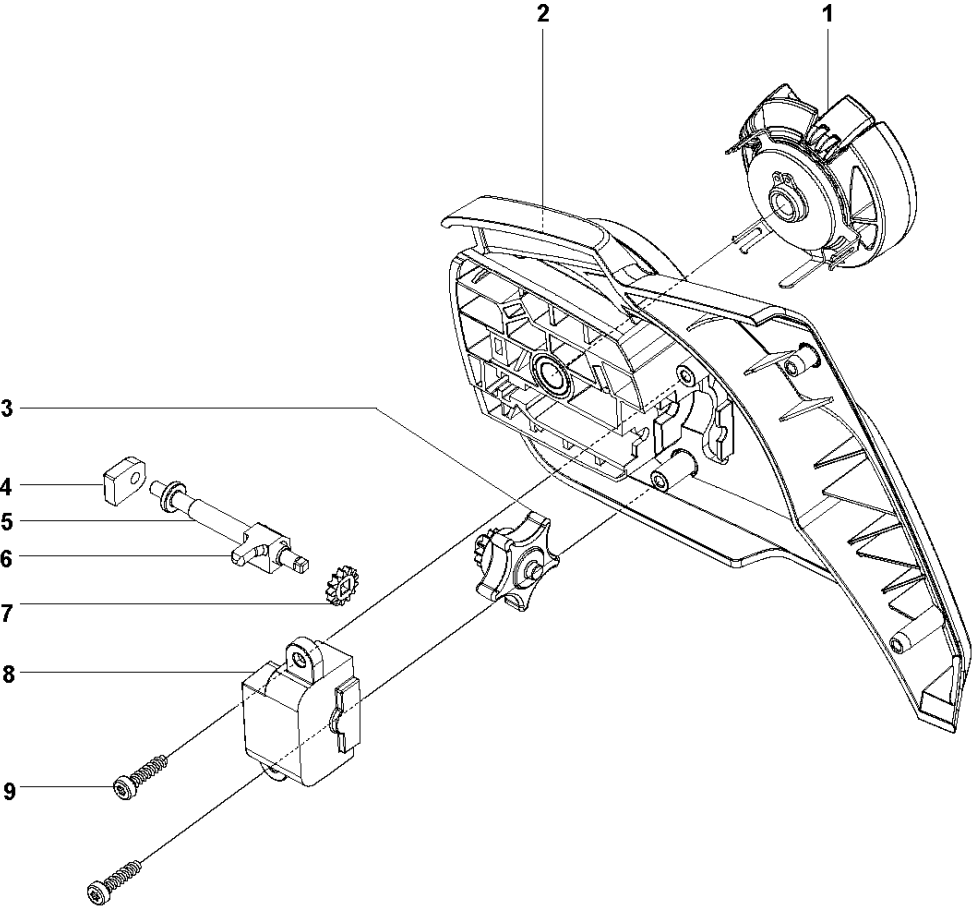
C 120i
OIL PUMP



OIL PUMP 120i, 967098201,967098202,967098203, 967098101,967098102, 20182200001-Current

Ref	Part No	Description	Remark	QTY KIT
1	586 84 65-01	OIL PUMP ASSY		1
2	586 90 29-01	SCREW		2
3	585 56 66-01	OIL HOSE		1

D 120i
CLUTCH COVER



CLUTCH COVER 120i, 967098201,967098202,967098203, 967098101,967098102, 20182200001-
Current

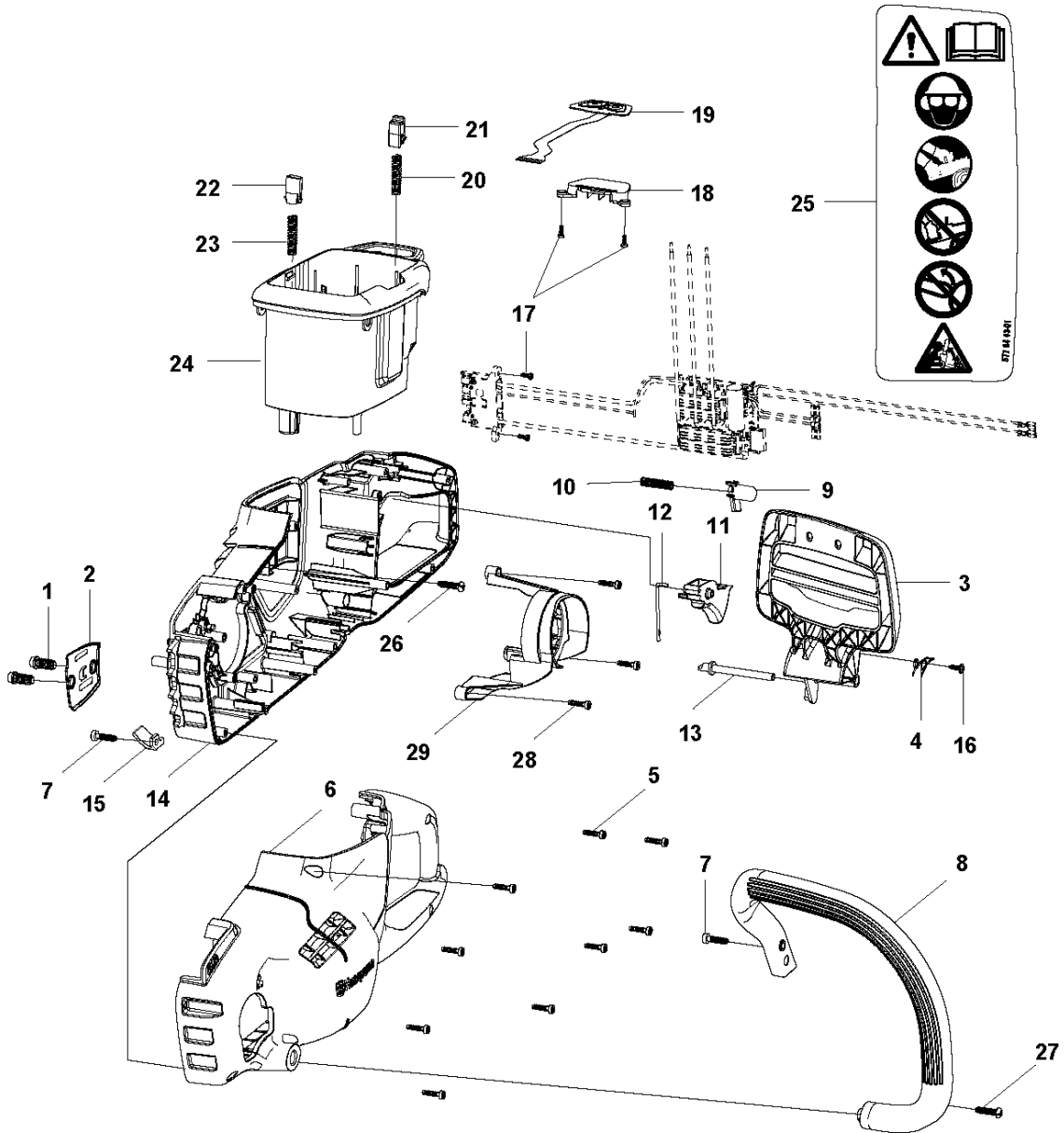
Ref	Part No	Description	Remark	QTY KIT
1	591 47 11-01	KNOB		1
2	585 59 32-01	CLUTCH COVER		1
3	578 77 65-01	CHAIN TENSIONER		1
4	585 59 40-01	SLEEVE		1
5	585 59 39-01	SHAFT		1
6	585 59 37-01	PLATE		1
7	585 59 35-01	PINION		1
8	585 59 34-01	COVER		1
9	585 81 90-01	SCREW		2

HOUSING 120i, 967098201,967098202,967098203, 967098101,967098102, 20182200001-Current

Ref	Part No	Description	Remark	QTY KIT
1	587 42 66-01	SCREW		2
2	585 60 27-01	MOUNTING PLATE		1
3	585 58 13-01	BRAKE		1
4	587 60 01-01	SPRING		1
5	585 81 90-02	SCREW		9
6	588 16 25-02	HOUSING		1
7	585 59 25-01	SCREW		2
8	585 59 02-01	FRONT HANDLE		1
9	585 59 00-01	BUTTON		1
10	585 59 01-01	SPRING		1
11	585 58 98-01	TRIGGER		1
12	585 58 93-01	LEVER		1
13	585 93 19-01	PIVOT		1
14	585 56 68-02	HOUSING		1
15	505 28 85-01	CHAIN CATCHER		1
16	575 30 98-02	SCREW		1
17	585 81 89-01	SCREW		4
18	585 59 23-01	BRACKET		1
19	582 54 15-01	KEYPAD		1
20	585 63 62-01	SPRING		1
21	577 99 66-01	PUSH BUTTON		1
22	585 63 60-01	PUSH BUTTON		1
23	585 63 66-01	SPRING		1
24	585 59 30-01	BATTERY BOX		1
25	577 84 43-01	DECAL		1
26	582 56 93-01	CONNECTOR		1
27	582 71 22-01	SCREW		1
28	574 22 39-01	SCREW		1
29	585 81 90-01	SCREW		1
30	582 48 67-01	COVER		1

E2 120i
HOUSING

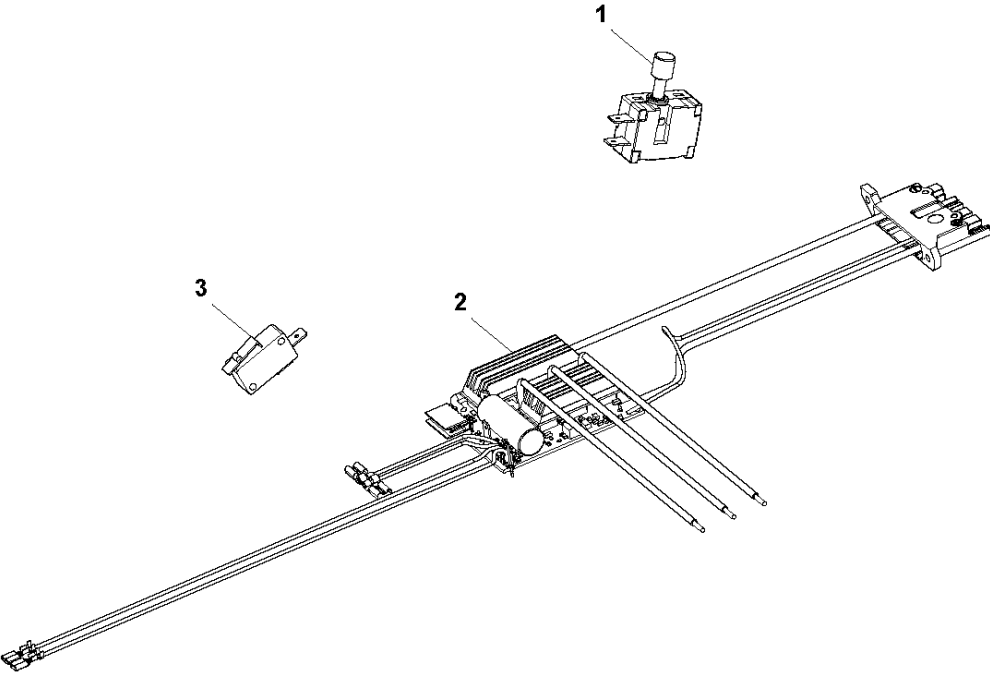
HIGHER THAN S/N 20180600001



HOUSING 120i, 967098201,967098202,967098203, 967098101,967098102, 20182200001-Current

Ref	Part No	Description	Remark	QTY KIT
1	587 42 66-01	SCREW		2
2	585 60 27-01	MOUNTING PLATE		1
3	585 58 13-01	BRAKE		1
4	587 60 01-01	SPRING		1
5	585 81 90-02	SCREW		9
6	588 16 25-02	HOUSING		1
7	585 59 25-01	SCREW		2
8	585 59 02-01	FRONT HANDLE		1
9	585 59 00-01	BUTTON		1
10	585 59 01-01	SPRING		1
11	585 58 98-01	TRIGGER		1
12	585 58 93-01	LEVER		1
13	585 93 19-01	PIVOT		1
14	585 56 68-02	HOUSING		1
15	505 28 85-01	CHAIN CATCHER		1
16	575 30 98-02	SCREW		1
17	585 81 89-01	SCREW		4
18	585 59 23-01	BRACKET		1
19	582 54 15-01	KEYPAD		1
20	585 63 62-01	SPRING		1
21	577 99 66-01	PUSH BUTTON		1
22	585 63 60-01	PUSH BUTTON		1
23	585 63 66-01	SPRING		1
24	585 59 30-01	BATTERY BOX		1
25	577 84 43-01	DECAL		1
26	582 71 22-01	SCREW		1
27	574 22 39-01	SCREW		1
28	585 81 90-01	SCREW		3
29	591 07 38-01	COVER		1

F 120i
ELECTRICAL



ELECTRICAL 120i, 967098201,967098202,967098203, 967098101,967098102, 20182200001-
Current

Ref	Part No	Description	Remark	QTY KIT
1	591 15 70-01	SWITCH		1
2	582 40 59-05	CONTROL UNIT		1
3	591 15 71-01	MICRO SWITCH		1