

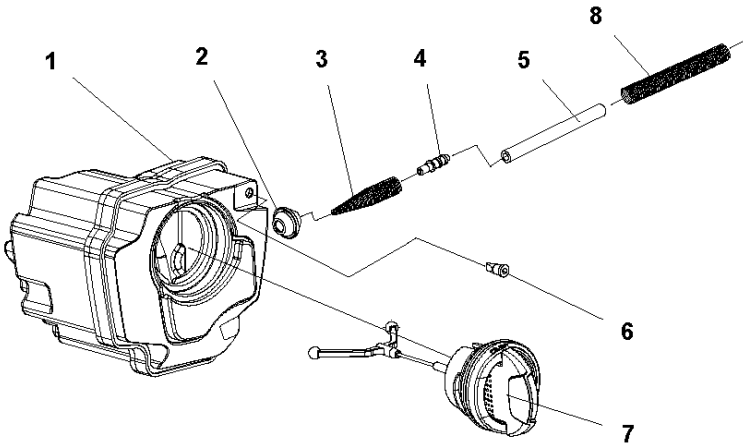


# SPARE PARTS LIST

CHAIN SAWS

136Li,

**A** 136Li  
OIL TANK

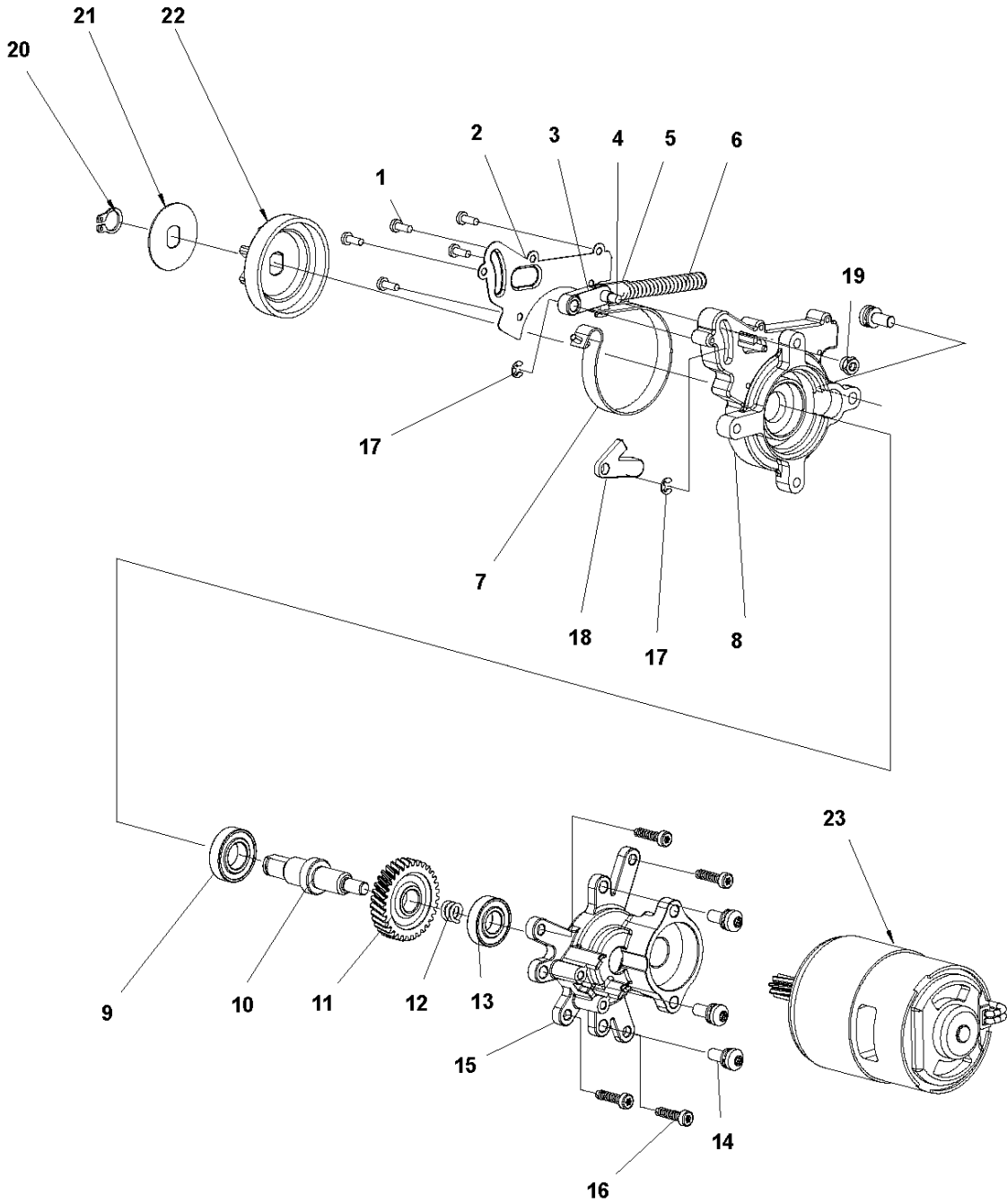


## OIL TANK

136Li,

Ref	Part No	Description	Remark	QTY KIT
1	585 56 58-01	TANK ASSY		1
2	574 79 73-01	PLUG		1
3	582 14 86-01	SPRING		1
4	574 80 09-01	TUBE		1
5	585 56 66-01	OIL HOSE		1
6	575 48 45-01	VALVE NIPPLE		1
7	522 62 00-01	TANK CAP ASSY		1
8	581 99 01-01	SPRING PIN		1

**B** 136Li  
GEAR BOX

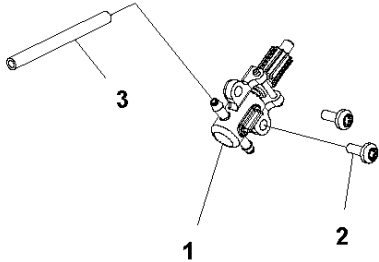


## GEAR BOX

136Li,

Ref	Part No	Description	Remark	QTY KIT
1	586 90 30-01	SCREW		5
2	585 58 97-01	COVER PLATE		1
3	585 60 35-01	PLATE		1
4	586 90 26-01	PEN		1
5	585 59 44-01	PLATE		1
6	585 59 05-01	BRAKE SPRING		1
7	585 59 03-01	BRAKE BAND		1
8	585 58 17-01	GEARBOX		1
9	585 58 90-01	BALL BEARING		1
10	585 58 87-01	SHAFT		1
11	585 58 88-01	BEVEL GEAR		1
12	585 58 91-01	SPRING		1
13	585 58 89-01	BALL BEARING		1
14	586 90 28-01	SCREW		6
15	585 58 15-01	GEARBOX		1
16	585 81 90-02	SCREW		13
17	587 37 77-01	CLAMP		2
18	586 65 59-01	DRIVE LINK		1
19	586 90 27-01	NUT		1
20	574 79 77-01	LOCKING RING		1
21	585 60 20-01	WASHER		1
22	585 58 96-01	SPROCKET		1
23	585 58 92-01	MOTOR		1

**C** 136Li  
OIL PUMP

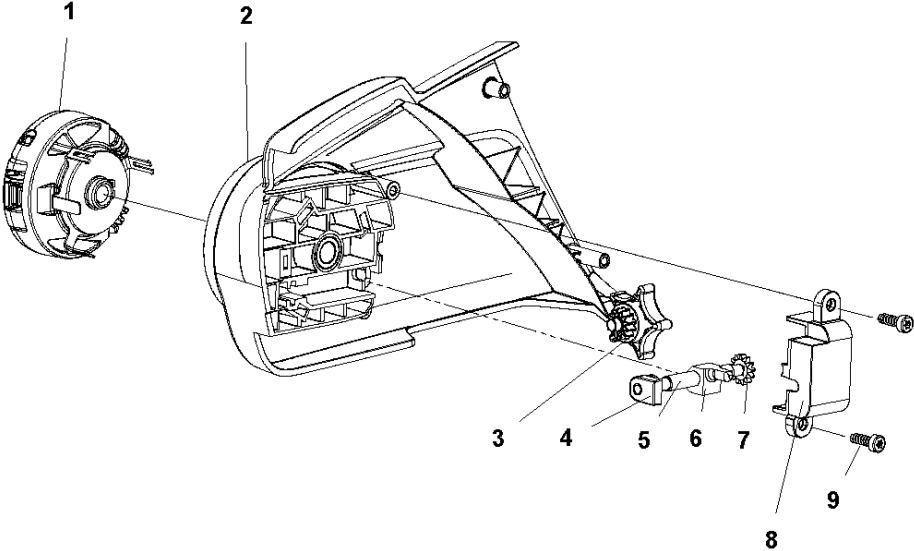


OIL PUMP

136Li,

Ref	Part No	Description	Remark	QTY KIT
1	586 84 65-01	OIL PUMP ASSY		1
2	586 90 29-01	SCREW		2
3	585 56 66-01	OIL HOSE		1

**D** 136Li  
CLUTCH COVER





## CLUTCH COVER

136Li,

Ref	Part No	Description	Remark	QTY KIT
1	537 34 78-03	KNOB		1
2	585 59 32-01	CLUTCH COVER		1
3	578 77 65-01	CHAIN TENSIONER		1
4	585 59 40-01	SLEEVE		1
5	585 59 39-01	SHAFT		1
6	585 59 37-01	PLATE		1
7	585 59 35-01	PINION		1
8	585 59 34-01	COVER		1
9	585 81 90-01	SCREW		2

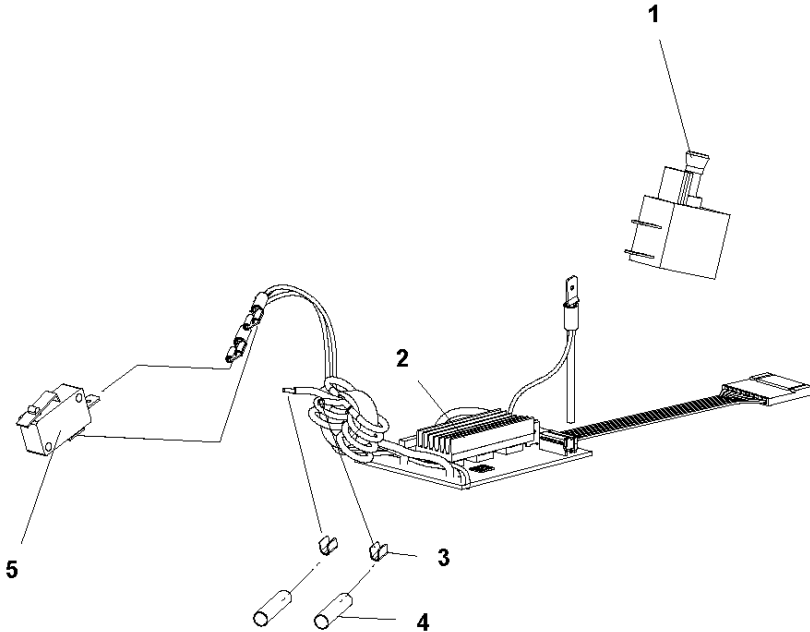


## HOUSING

136Li,

Ref	Part No	Description	Remark	QTY KIT
1	587 42 66-01	SCREW		2
2	585 60 27-01	MOUNTING PLATE		1
3	585 58 13-01	BRAKE		1
4	587 60 01-01	SPRING		1
5	586 90 28-01	SCREW		9
6	585 56 69-01	HOUSING		1
7	574 22 39-01	SCREW		2
8	585 59 02-01	FRONT HANDLE		1
9	585 59 00-01	BUTTON		1
10	585 59 01-01	SPRING		1
11	585 58 98-01	TRIGGER		1
12	585 58 93-01	LEVER		1
13	585 93 19-01	PIVOT		1
14	585 56 68-01	HOUSING		1
15	505 28 85-01	CHAIN CATCHER		1
16	575 30 98-02	SCREW		1
17	585 81 89-01	SCREW		4
18	586 32 41-01	TERMINAL BLOCK		1
19	585 59 23-01	BRACKET		1
20	585 59 21-01	KEYPAD		1
21	585 63 62-01	SPRING		1
22	585 63 61-01	PUSH BUTTON		1
23	585 63 60-01	PUSH BUTTON		1
24	585 63 66-01	SPRING		1
25	585 59 30-01	BATTERY BOX		1
26	587 13 41-01	LABEL		1
27	587 12 97-01	LABEL		1
28	587 13 42-01	LABEL		1
29	574 22 39-01	SCREW		1
30	585 58 95-02	COVER		1
31	585 81 90-01	SCREW		3

**F** 136Li  
ELECTRICAL



ELECTRICAL

136Li,

Ref	Part No	Description	Remark	QTY KIT
1	585 59 09-01	MAIN SWITCH		1
2	585 59 08-01	CONTROL UNIT		1
3	588 25 97-01	TERMINAL		2
4	588 25 98-01	SLEEVE		2
5	587 94 70-01	MICRO SWITCH		1