

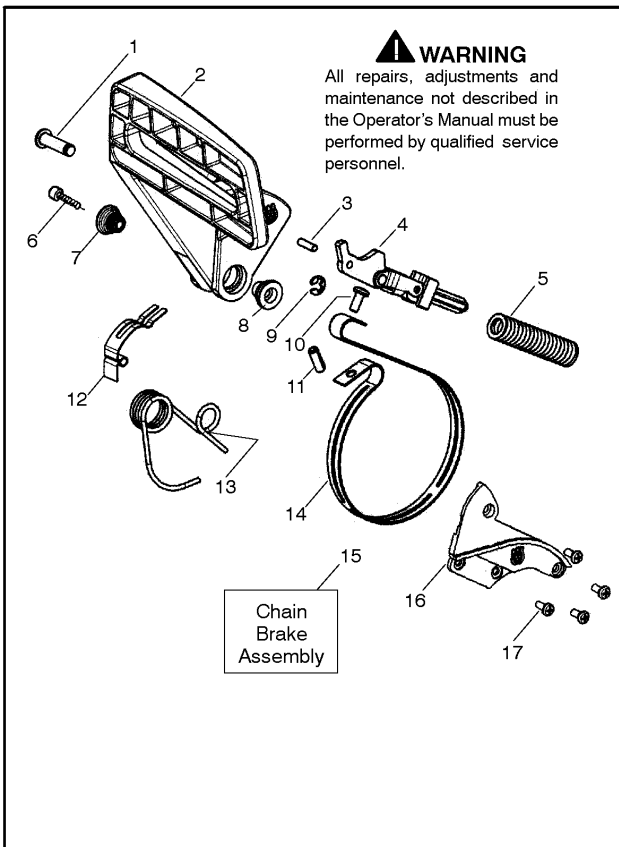


SPARE PARTS LIST

CHAIN SAWS

142 E, 2006-12

| | | | |
|---------------------------------|---------------------------------|------------------------------|--|
| PARTS LIST NO. 530165248 | | Husqvarna® PARTS LIST | CHAIN SAW MODEL(S) 142 North America |
| DATE 12/14/06 | Replaces 530165248 - 5/19/06 | | Note: Illustration may differ from actual model due to design changes |

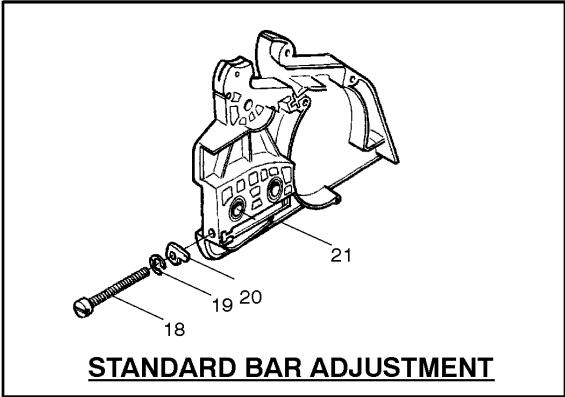


CHAIN BRAKE

142 E, 2006-12

| Ref | Part No | Description | Remark | QTY KIT |
|-----------|--------------|------------------|--------|---------|
| 1 | 530 02 98-79 | SCREW | | 1 |
| 2 | 530 07 13-48 | LEVER | | 1 |
| 3 | 530 01 59-15 | SCREW | | 1 |
| 4 | 530 05 47-41 | KNEE LINK | | 1 |
| 5 | 530 01 62-37 | SPRING | | 1 |
| 6 | 530 01 63-84 | SCREW | | 1 |
| 7 | 530 05 65-31 | SHAFT PIVOT | | 1 |
| 8 | 530 02 98-81 | SHAFT PIVOT | | 1 |
| 9 | 530 02 44-19 | E-CLIP | | 1 |
| 10 | 530 01 59-11 | SCREW | | 1 |
| 11 | 530 01 59-13 | PEN | | 1 |
| 12 | 530 02 98-78 | SPRING | | 1 |
| 13 | 530 01 59-10 | SPRING | | 1 |
| 14 | 530 05 22-32 | BRAKE BAND | | 1 |
| 530054802 | 530 05 48-02 | CHAIN BRAKE ASSY | | 1 |
| 545090701 | 545 09 07-01 | CHAIN BRAKE | | 1 |
| 16 | 530 05 30-35 | COVER | | 1 |
| 17 | 530 01 59-11 | SCREW | | 1 |

| | | | |
|---------------------------------|---------------------------------|--|--|
| PARTS LIST NO. 530165248 | |  Husqvarna® PARTS LIST | CHAIN SAW MODEL(s) 142 North America |
| DATE 12/14/06 | Replaces 530165248 - 5/19/06 | | Note: Illustration may differ from actual model due to design changes |

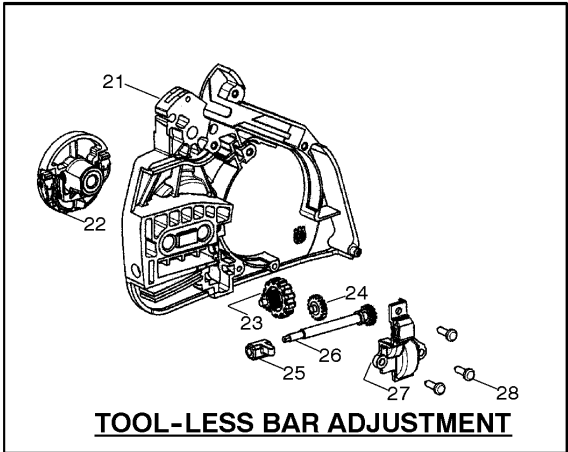


CLUTCH COVER

142 E, 2006-12

| Ref | Part No | Description | Remark | QTY KIT |
|-----|--------------|-------------|--------|---------|
| 18 | 530 01 61-10 | SCREW | | 1 |
| 19 | 530 03 85-93 | RETAINER | | 1 |
| 20 | 530 01 58-26 | PEN | | 1 |

| | | | |
|---------------------------------|---------------------------------|--|--|
| PARTS LIST NO. 530165248 | |  Husqvarna® PARTS LIST | CHAIN SAW MODEL(s) 142 North America |
| DATE 12/14/06 | Replaces 530165248 - 5/19/06 | | Note: Illustration may differ from actual model due to design changes |



CLUTCH COVER

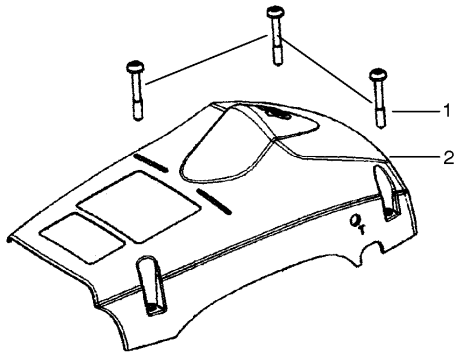
142 E, 2006-12

| Ref | Part No | Description | Remark | QTY KIT |
|-----------|--------------|-------------------|--------|---------|
| 530049483 | 530 04 94-83 | CLUTCH COVER | | 1 |
| 545051101 | 545 05 11-01 | COVER | | 1 |
| 22 | 545 06 01-01 | ASSEMBLY | | 1 |
| 24 | 545 06 02-01 | GEAR | | 1 |
| 25 | 545 06 05-01 | PIN BAR ADJUSTING | | 1 |
| 26 | 545 06 04-01 | ADJUSTMENT SCREW | | 1 |
| 27 | 545 05 12-01 | COVER | | 1 |
| 28 | 530 01 60-64 | SCREW | | 1 |
| 530031135 | 530 03 11-35 | WRENCH | | 1 |
| 530047839 | 530 04 78-39 | DECAL | | 1 |

| | | | |
|------------------------------------|---------------------------------|------------------------------|--|
| PARTS LIST NO. 530165248 | | Husqvarna® PARTS LIST | CHAIN SAW MODEL(s) 142 North America |
| DATE 12/14/06 | Replaces 530165248 - 5/19/06 | | Note: Illustration may differ from actual model due to design changes |

⚠ WARNING

All repairs, adjustments and maintenance not described in the Operator's Manual must be performed by qualified service personnel.

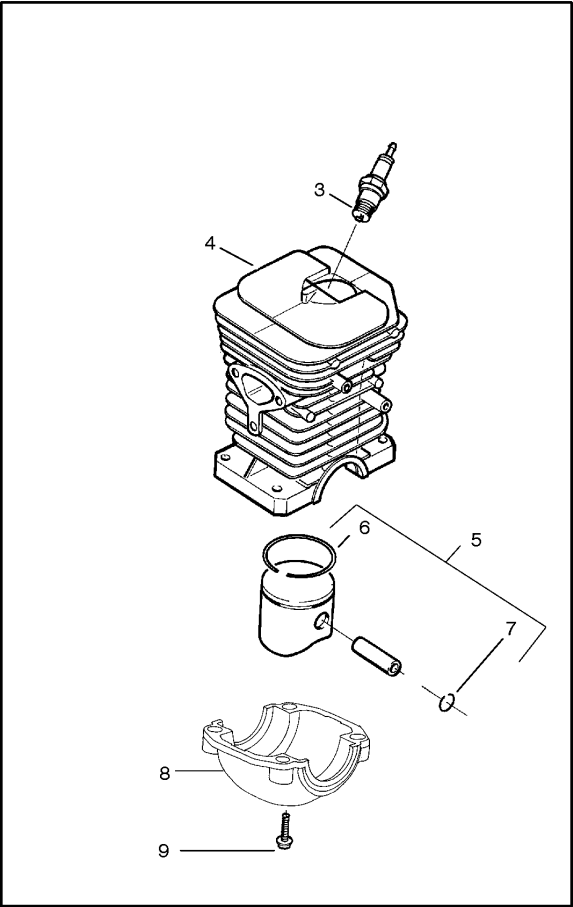


COVER

142 E, 2006-12

| Ref | Part No | Description | Remark | QTY KIT |
|-----|--------------|----------------|--------|---------|
| 1 | 530 01 61-54 | SCREW | | 1 |
| 2 | 530 05 99-60 | CYLINDER COVER | | 1 |

| | | | |
|---------------------------------|---------------------------------|------------------------------|--|
| PARTS LIST NO. 530165248 | | Husqvarna® PARTS LIST | CHAIN SAW MODEL(s) 142 North America |
| DATE 12/14/06 | Replaces 530165248 - 5/19/06 | | Note: Illustration may differ from actual model due to design changes |

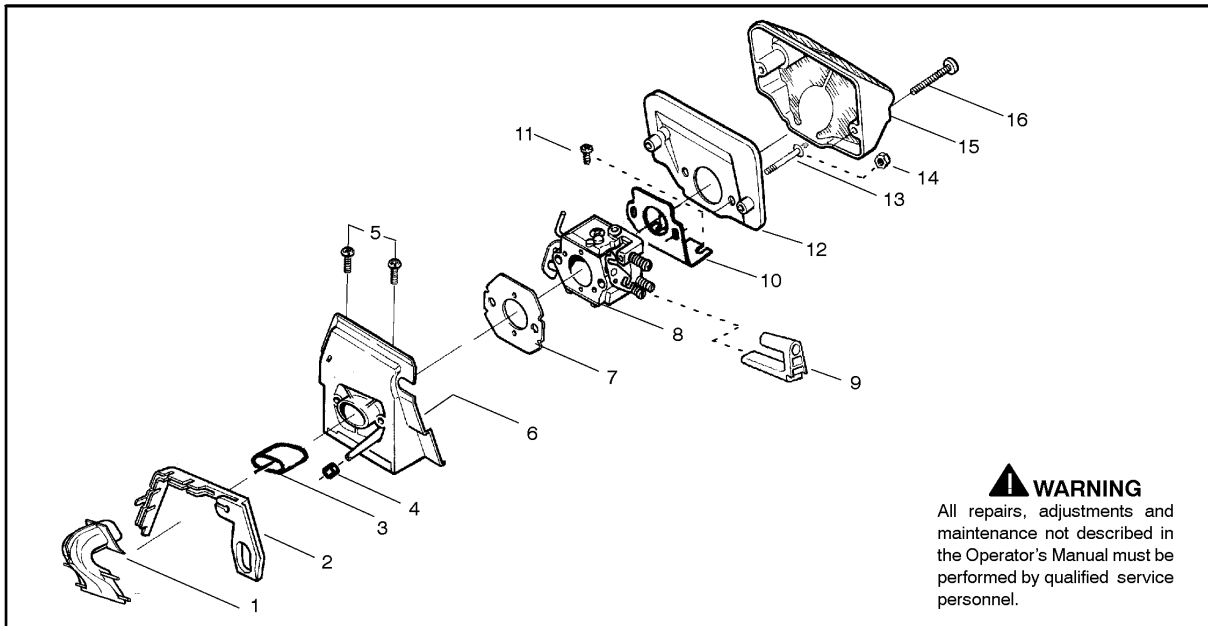


CYLINDER PISTON

142 E, 2006-12

| Ref | Part No | Description | Remark | QTY KIT |
|-----|--------------|--------------|--------|---------|
| 3 | 952 03 01-50 | SPARK PLUG | | 1 |
| 4 | 530 06 99-41 | CYLINDER | | 1 |
| 5 | 530 06 94-54 | PISTON | | 1 |
| 6 | 530 02 99-82 | PISTON RING | | 1 |
| 7 | 530 01 56-97 | LOCKING RING | | 1 |
| 8 | 530 04 97-94 | CRANKCASE | | 1 |
| 9 | 530 01 58-97 | SCREW | | 1 |

| | | | |
|---------------------------------|---------------------------------|--|--|
| PARTS LIST NO. 530165248 | |  Husqvarna® PARTS LIST | CHAIN SAW MODEL(s) 142 North America |
| DATE 12/14/06 | Replaces 530165248 - 5/19/06 | | Note: Illustration may differ from actual model due to design changes |

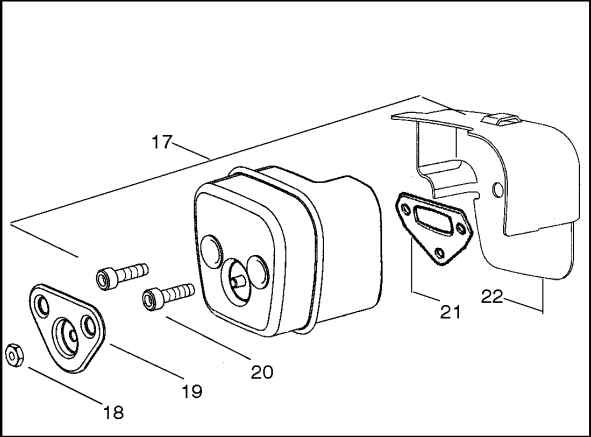


CARBURETOR & AIR FILTER

142 E, 2006-12

| Ref | Part No | Description | Remark | QTY KIT |
|-----|--------------|------------------|--------|---------|
| 1 | 530 02 98-13 | JET | | 1 |
| 2 | 530 01 92-03 | SEALING | | 1 |
| 3 | 530 02 98-14 | PIPE | | 1 |
| 4 | 530 05 34-35 | HOSE | | 1 |
| 5 | 530 01 58-14 | SCREW | | 1 |
| 6 | 530 03 74-65 | ADAPTER | | 1 |
| 7 | 530 01 91-72 | GASKET | | 1 |
| 8 | 530 07 19-87 | CARBURETTOR | | 1 |
| 9 | 530 03 55-87 | PASSAGE | | 1 |
| 10 | 530 04 77-67 | SUPPORT | | 1 |
| 11 | 530 01 58-96 | SCREW | | 1 |
| 12 | 530 03 65-82 | HOLDER | | 1 |
| 13 | 530 01 59-68 | SCREW | | 1 |
| 14 | 530 01 60-08 | NUT | | 1 |
| 15 | 545 05 78-01 | AIR FILTER COVER | | 1 |
| 16 | 530 01 58-99 | SCREW | | 1 |

| | | | |
|---------------------------------|---------------------------------|------------------------------|--|
| PARTS LIST NO. 530165248 | | Husqvarna® PARTS LIST | CHAIN SAW MODEL(s) 142 North America |
| DATE 12/14/06 | Replaces 530165248 - 5/19/06 | | Note: Illustration may differ from actual model due to design changes |

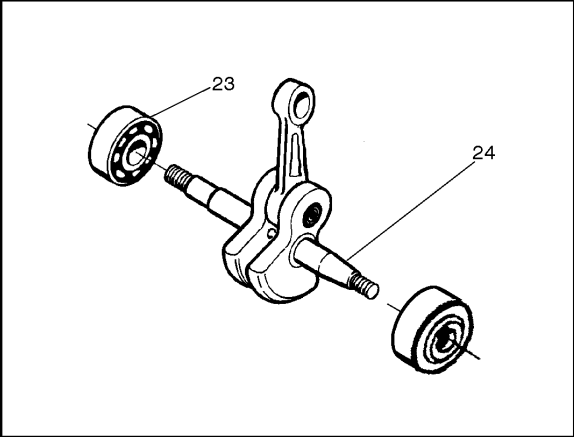


MUFFLER

142 E, 2006-12

| Ref | Part No | Description | Remark | QTY KIT |
|-----|--------------|-------------|--------|---------|
| 17 | 530 07 15-11 | SILENCER | | 1 |
| 18 | 530 01 63-59 | NUT | | 1 |
| 19 | 530 05 56-00 | WASHER | | 1 |
| 20 | 530 01 63-38 | BOLT | | 1 |
| 21 | 530 05 51-28 | GASKET | | 1 |
| 22 | 530 05 51-71 | COUVERCLE | | 1 |

| | | | |
|---------------------------------|---------------------------------|------------------------------|--|
| PARTS LIST NO. 530165248 | | Husqvarna® PARTS LIST | CHAIN SAW MODEL(s) 142 North America |
| DATE 12/14/06 | Replaces 530165248 - 5/19/06 | | Note: Illustration may differ from actual model due to design changes |



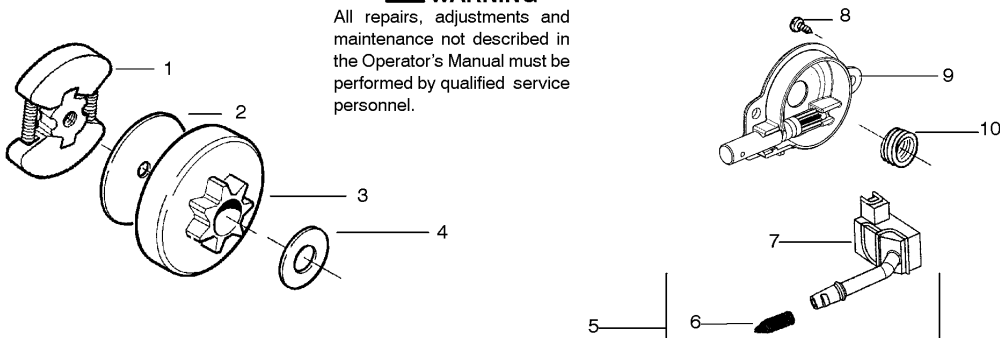
CRANKSHAFT

142 E, 2006-12

| Ref | Part No | Description | Remark | QTY KIT |
|-----|--------------|-------------|--------|---------|
| 23 | 530 05 63-63 | BEARING | | 1 |
| 24 | 530 02 97-94 | CRANKSHAFT | | 1 |

| | | | |
|------------------------------------|---------------------------------|--|--|
| PARTS LIST NO. 530165248 | |  Husqvarna® PARTS LIST | CHAIN SAW MODEL(s) 142 North America |
| DATE 12/14/06 | Replaces 530165248 - 5/19/06 | | Note: Illustration may differ from actual model due to design changes |

⚠ WARNING
All repairs, adjustments and maintenance not described in the Operator's Manual must be performed by qualified service personnel.

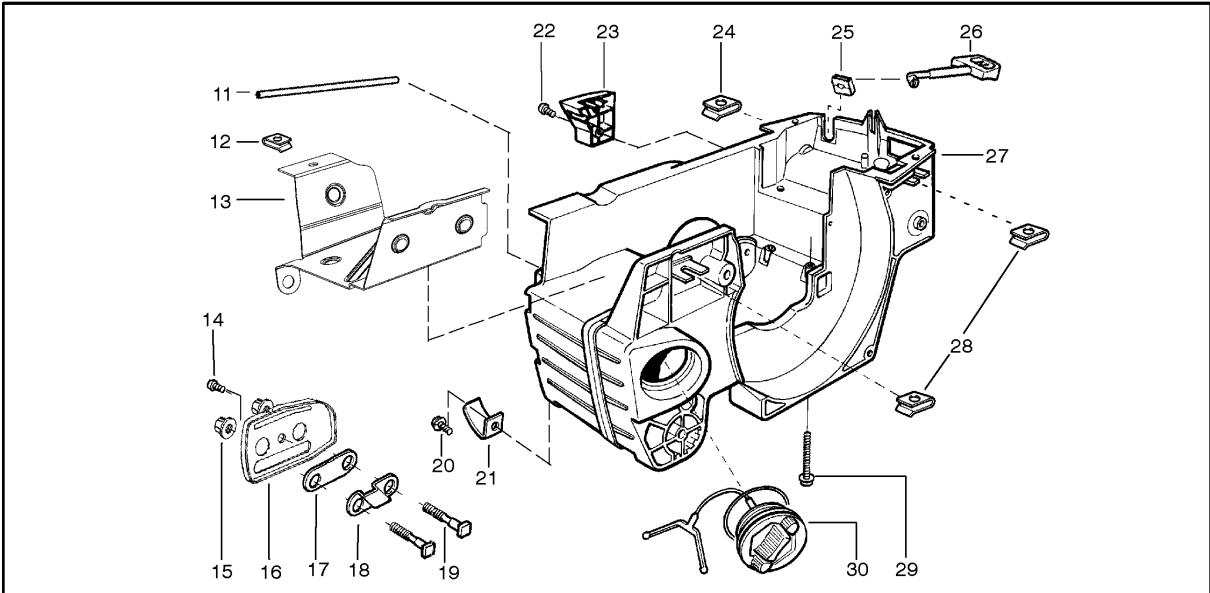


CLUTCH & OIL PUMP

142 E, 2006-12

| Ref | Part No | Description | Remark | QTY KIT |
|-----|--------------|------------------|--------|---------|
| 1 | 530 01 49-49 | CLUTCH | | 1 |
| 2 | 530 01 56-11 | WASHER | | 1 |
| 3 | 530 04 70-61 | CLUTCH DRUM ASSY | | 1 |
| 4 | 530 01 59-07 | WASHER | | 1 |
| 5 | 530 01 47-76 | OIL PICK-UP | | 1 |
| 6 | 530 05 65-33 | SCREEN | | 1 |
| 7 | 545 03 71-01 | SEALING | | 1 |
| 8 | 530 01 58-96 | SCREW | | 1 |
| 9 | 530 01 44-10 | OIL PUMP | | 1 |
| 10 | 530 02 98-33 | PUMP | | 1 |

| | | | |
|---------------------------------|---------------------------------|------------------------------|--|
| PARTS LIST NO. 530165248 | | Husqvarna® PARTS LIST | CHAIN SAW MODEL(s) 142 North America |
| DATE 12/14/06 | Replaces 530165248 - 5/19/06 | | Note: Illustration may differ from actual model due to design changes |

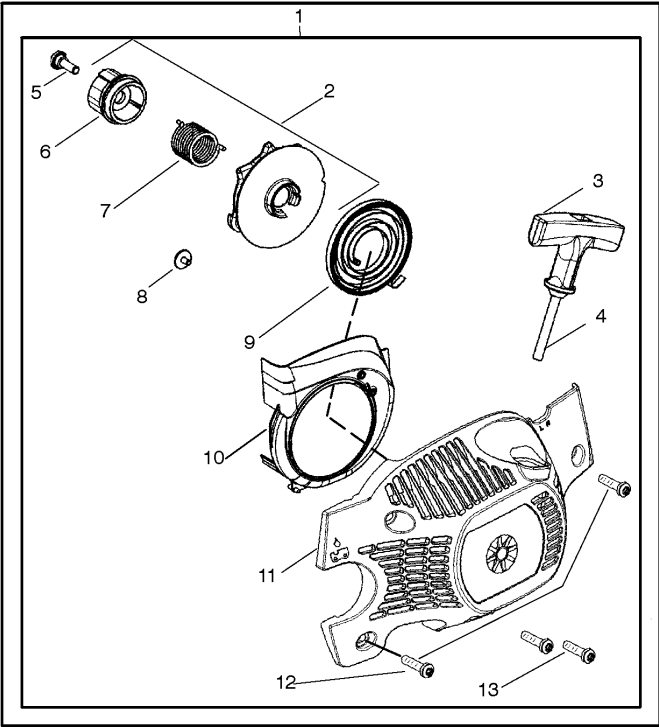


CRANKCASE

142 E, 2006-12

| Ref | Part No | Description | Remark | QTY KIT |
|-----|--------------|---------------|--------|---------|
| 11 | 545 03 35-01 | HOSE | | 1 |
| 12 | 530 05 53-22 | NUT | | 1 |
| 13 | 530 05 51-74 | PROTECTION | | 1 |
| 14 | 530 01 58-96 | SCREW | | 1 |
| 15 | 530 01 59-17 | NUT | | 1 |
| 16 | 530 04 78-55 | PLATE | | 1 |
| 17 | 530 01 92-28 | SEALING | | 1 |
| 18 | 530 03 60-43 | SUPPORT | | 1 |
| 19 | 530 01 58-77 | BOLT | | 1 |
| 20 | 530 01 58-78 | SCREW | | 1 |
| 21 | 530 02 98-50 | CHAIN CATCHER | | 1 |
| 22 | 530 01 58-93 | SCREW | | 1 |
| 23 | 530 05 24-28 | COVER | | 1 |
| 24 | 530 01 59-22 | NUT | | 1 |
| 25 | 530 02 98-30 | GUIDE | | 1 |
| 26 | 530 02 98-31 | CHOKE CONTROL | | 1 |
| 27 | 530 07 19-91 | CRANKCASE | | 1 |
| 28 | 530 01 59-22 | NUT | | 1 |
| 29 | 530 01 60-37 | SCREW | | 1 |
| 30 | 501 76 56-02 | TANK CAP ASSY | | 1 |

| | | | |
|---------------------------------|---------------------------------|---------------------|--|
| PARTS LIST NO. 530165248 | | ® PARTS LIST | CHAIN SAW MODEL(s) 142 North America |
| DATE 12/14/06 | Replaces 530165248 - 5/19/06 | | Note: Illustration may differ from actual model due to design changes |

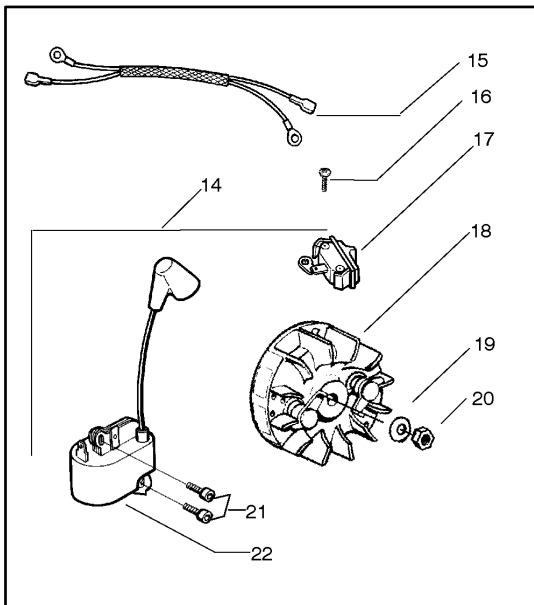


STARTER

142 E, 2006-12

| Ref | Part No | Description | Remark | QTY KIT |
|-----|--------------|----------------|--------|---------|
| 1 | 530 07 19-68 | STARTER DEVICE | | 1 |
| 2 | 530 07 19-66 | STARTER PULLEY | | 1 |
| 3 | 530 15 03-18 | HANDLE | | 1 |
| 4 | 530 06 92-32 | STARTER ROPE | | 1 |
| 5 | 530 02 11-79 | SCREW | | 1 |
| 6 | 530 05 96-77 | SLEEVE | | 1 |
| 7 | 530 02 11-80 | SPRING | | 1 |
| 8 | 530 01 60-80 | SCREW | | 1 |
| 9 | 530 04 20-95 | SPRING | | 1 |
| 10 | 530 05 99-59 | BAFFLE | | 1 |
| 11 | 530 05 99-58 | STARTER | | 1 |
| 12 | 530 01 58-93 | SCREW | | 1 |
| 13 | 530 01 58-92 | SCREW | | 1 |

| | | | |
|---------------------------------|---------------------------------|---------------------|--|
| PARTS LIST NO. 530165248 | | ® PARTS LIST | CHAIN SAW MODEL(s) 142 North America |
| DATE 12/14/06 | Replaces 530165248 - 5/19/06 | | Note: Illustration may differ from actual model due to design changes |

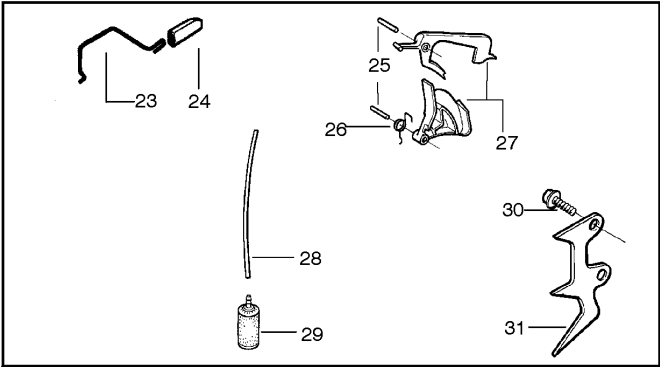


IGNITION SYSTEM

142 E, 2006-12

| Ref | Part No | Description | Remark | QTY KIT |
|-----|--------------|----------------------|--------|---------|
| 14 | 530 07 19-67 | IGNITION MODULE | | 1 |
| 15 | 530 40 32-57 | CABLE | | 1 |
| 16 | 530 01 58-96 | SCREW | | 1 |
| 17 | 503 71 79-01 | STOP SWITCH | | 1 |
| 18 | 530 05 96-37 | FLYWHEEL ASSY | | 1 |
| 19 | 530 01 51-27 | WASHER | | 1 |
| 20 | 530 01 61-34 | NUT | | 1 |
| 21 | 545 00 39-02 | SCREW | | 1 |
| 22 | 545 06 39-01 | MODULE IIDA IGNITION | | 1 |

| | | | |
|------------------------------------|-------------------------------------|------------------------------|--|
| PARTS LIST NO. 530165406-01 | | Husqvarna® PARTS LIST | CHAIN SAW MODEL(s) 142 Export |
| DATE 12/07/04 | Replaces 11/10/04 - 530165405-01 | | Note: Illustration may differ from actual model due to design changes |

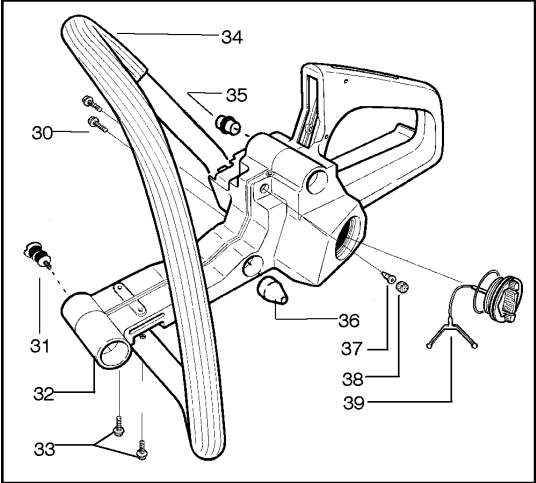


THROTTLE CONTROLS

142 E, 2006-12

| Ref | Part No | Description | Remark | QTY KIT |
|-----|--------------|------------------|--------|---------|
| 23 | 530 02 98-69 | THROTTLE ROD | | 1 |
| 24 | 530 02 98-63 | HUB CAP | | 1 |
| 25 | 530 02 98-60 | SCREW | | 1 |
| 26 | 530 02 98-61 | SPRING | | 1 |
| 27 | 530 06 95-87 | THROTTLE TRIGGER | | 1 |
| 28 | 530 06 92-47 | HOSE | | 1 |
| 29 | 530 01 44-97 | FILTER | | 1 |

| | | | |
|---------------------------------|---------------------------------|---------------------|--|
| PARTS LIST NO. 530165248 | | ® PARTS LIST | CHAIN SAW MODEL(s) 142 North America |
| DATE 12/14/06 | Replaces 530165248 - 5/19/06 | | Note: Illustration may differ from actual model due to design changes |



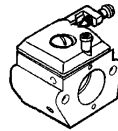
FUEL TANK & HANDLE

142 E, 2006-12

| Ref | Part No | Description | Remark | QTY KIT |
|-----|--------------|------------------|--------|---------|
| 30 | 530 01 59-40 | SCREW | | 1 |
| 31 | 530 02 98-70 | INSULATOR | | 1 |
| 32 | 530 05 56-13 | FUEL TANK | | 1 |
| 33 | 530 01 58-43 | SCREW | | 1 |
| 34 | 530 05 99-61 | HANDLE | | 1 |
| 35 | 530 05 24-39 | MOVEMENT LIMITER | | 1 |
| 36 | 530 02 99-84 | LIMITER | | 1 |
| 37 | 530 02 61-19 | CHECK VALVE | | 1 |
| 38 | 530 03 82-64 | PLUG | | 1 |
| 39 | 530 07 12-66 | FUEL CAP | | 1 |

| | | | |
|---------------------------------|---------------------------------|------------------------------|--|
| PARTS LIST NO. 530165248 | | Husqvarna® PARTS LIST | CHAIN SAW MODEL(s) 142 North America |
| DATE 12/14/06 | Replaces 530165248 - 5/19/06 | | Note: Illustration may differ from actual model due to design changes |

Kit - Carburetor Assembly No. 530071987 - Zama W-29



Carb
Repair
Kit
1

| Ref. | Part No. | Description |
|------|-----------|------------------------------|
| 1. | 530035269 | Kit-Carburetor Repair (Zama) |

⚠ WARNING

All repairs, adjustments and maintenance not described in the Operator's Manual must be performed by qualified service personnel.

✓ = NEW PART NUMBER FOR THIS IPL * = REFER TO THE SERVICE REFERENCE INDICATED FOR MORE INFORMATION. (LOCATED AT END OF IPL)
● = THESE PARTS ARE ILLUSTRATED FOR CLARITY. ORDER COMPLETE ASSEMBLY.

CARBURETOR

142 E, 2006-12

| Ref | Part No | Description | Remark | QTY KIT |
|-----|--------------|-------------|--------|---------|
| 1 | 530 03 52-69 | REPAIR KIT | | 1 |