

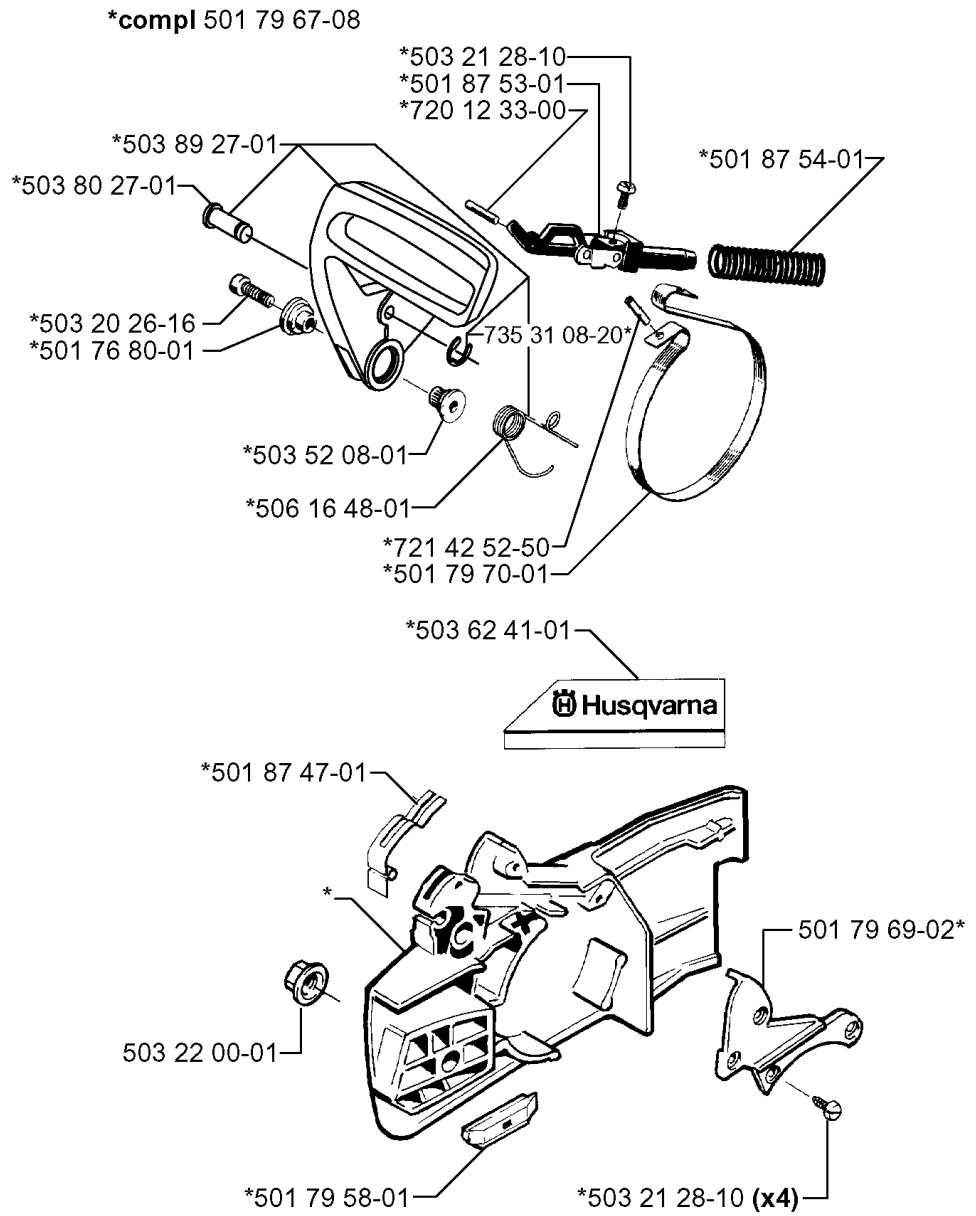


SPARE PARTS LIST

CHAIN SAWS

246, 20014000001-Current

A

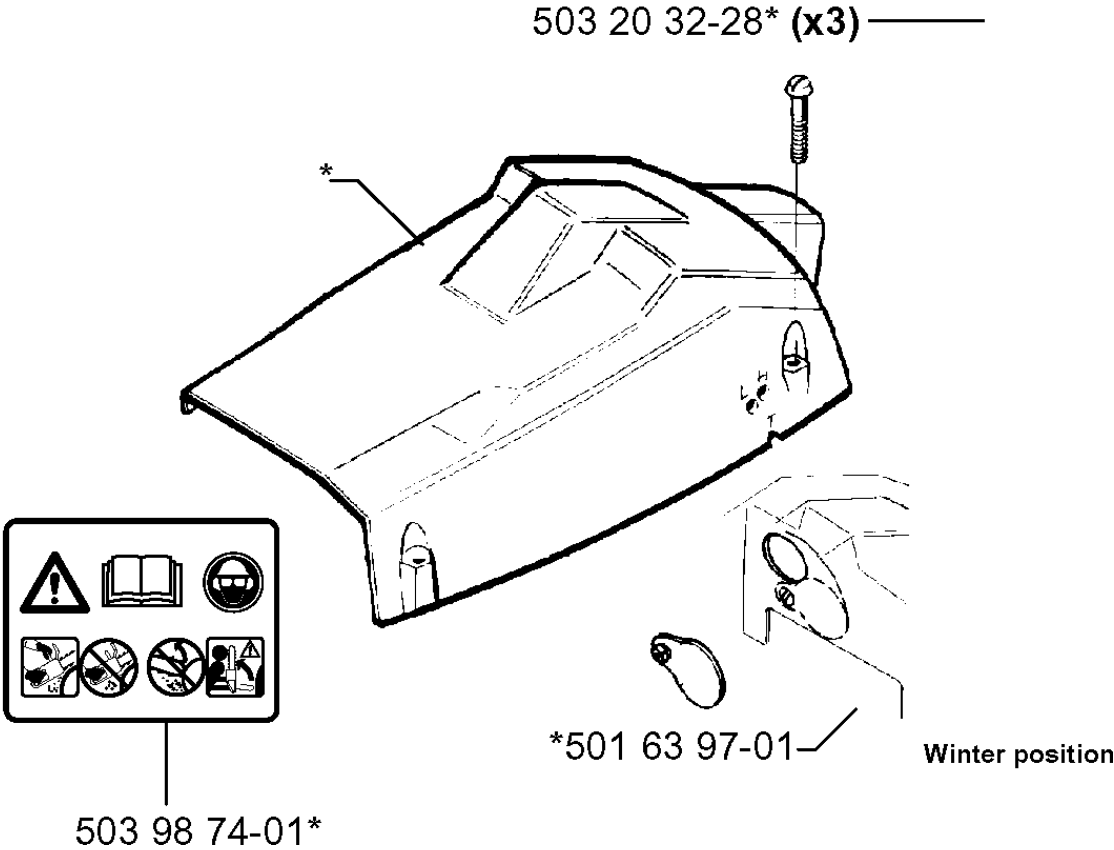


CHAIN BRAKE

246, 20014000001-Current

Part No	Description	Remark	QTY KIT
501 76 80-01	SHAFT		1
501 79 58-01	CHAIN GUIDE		1
501 79 67-08	CLUTCH COVER ASSY		1
501 79 69-02	HUB CAP		1
501 79 70-01	BRAKE BAND		1
501 87 47-01	SPRING		1
501 87 53-01	KNEE JOINT ASSY		1
501 87 54-01	BRAKE SPRING		1
503 20 26-16	SCREW IHSCM		1
503 21 28-10	SCREW CCRPANT		1
503 21 28-10	SCREW CCRPANT		4
503 22 00-01	HEXAGON NUT		1
503 52 08-01	SHAFT		1
503 62 41-01	LABEL		1
503 80 27-01	PIVOT PIN		1
503 89 27-01	HAND GUARD		1
506 16 48-01	POSITION SPRING		1
720 12 33-00	PARALLEL PIN		1
721 42 52-50	SPRING PIN		1
735 31 08-20	E-CLIP		1

B *compl 503 45 59-06

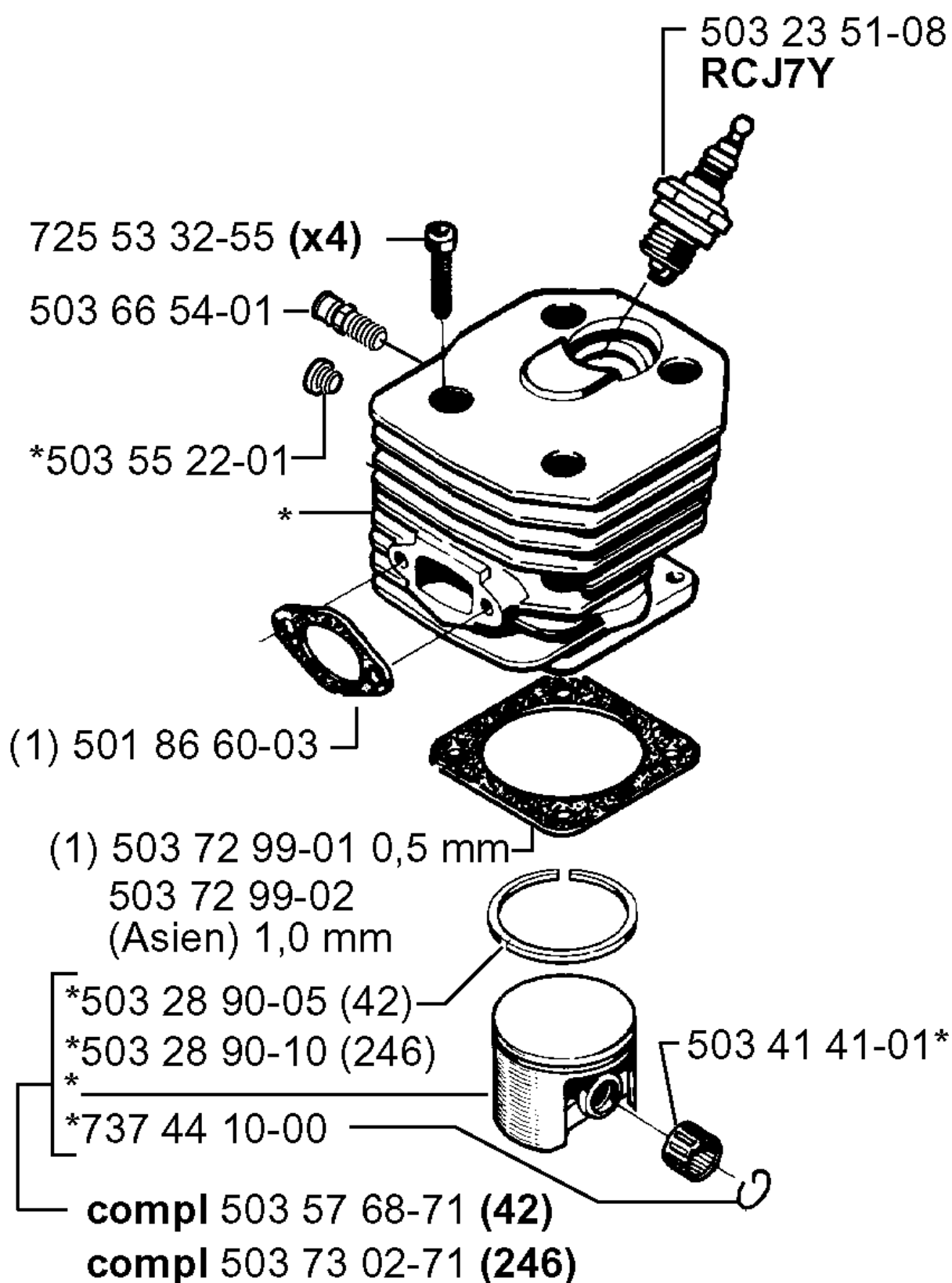


COVER

246, 20014000001-Current

Part No	Description	Remark	QTY KIT
501 63 97-01	COVER		1
503 20 32-28	SCREW		3
503 45 59-06	CYLINDER COVER ASSY		1
503 98 74-01	LABEL		1

C *compl 503 57 66-73 (42)
*compl 503 73 00-72 (246)

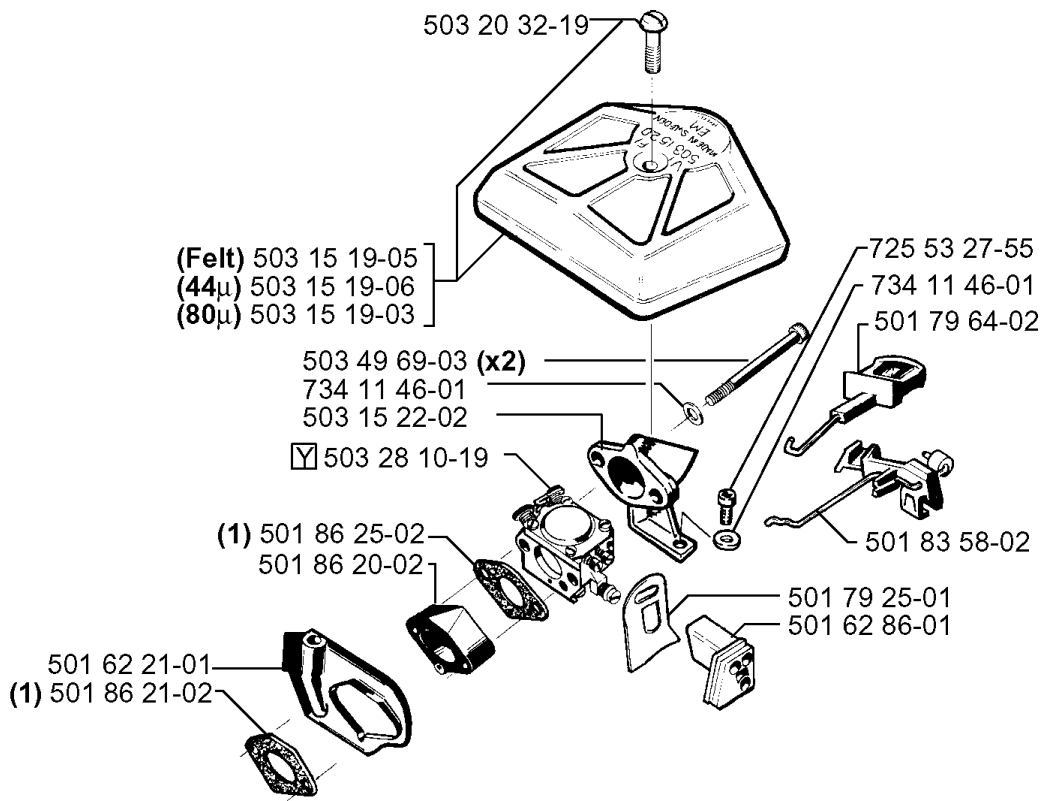


CYLINDER PISTON

246, 20014000001-Current

Part No	Description	Remark	QTY KIT
501 86 60-03	GASKET	1	1
503 23 51-08	SPARK PLUG	RCJ7Y	1
503 28 90-05	PISTON RING	42	1
503 28 90-10	PISTON RING	246	1
503 41 41-01	NEEDLE BEARING		1
503 55 22-01	PLUG		1
503 57 66-73	CYLINDER ASSY	42	1
503 57 68-71	PISTON ASSY	42	1
503 66 54-01	DECOMPRESSION VALVE		1
503 72 99-01	GASKET	1 0,5 MM	1
503 72 99-02	GASKET	(ASIEN) 1,0 MM	1
503 73 00-72	CYLINDER ASSY	246	1
503 73 02-71	PISTON ASSY	246	1
725 53 32-55	SCREW		4
737 44 10-00	SNAP RING		1

D

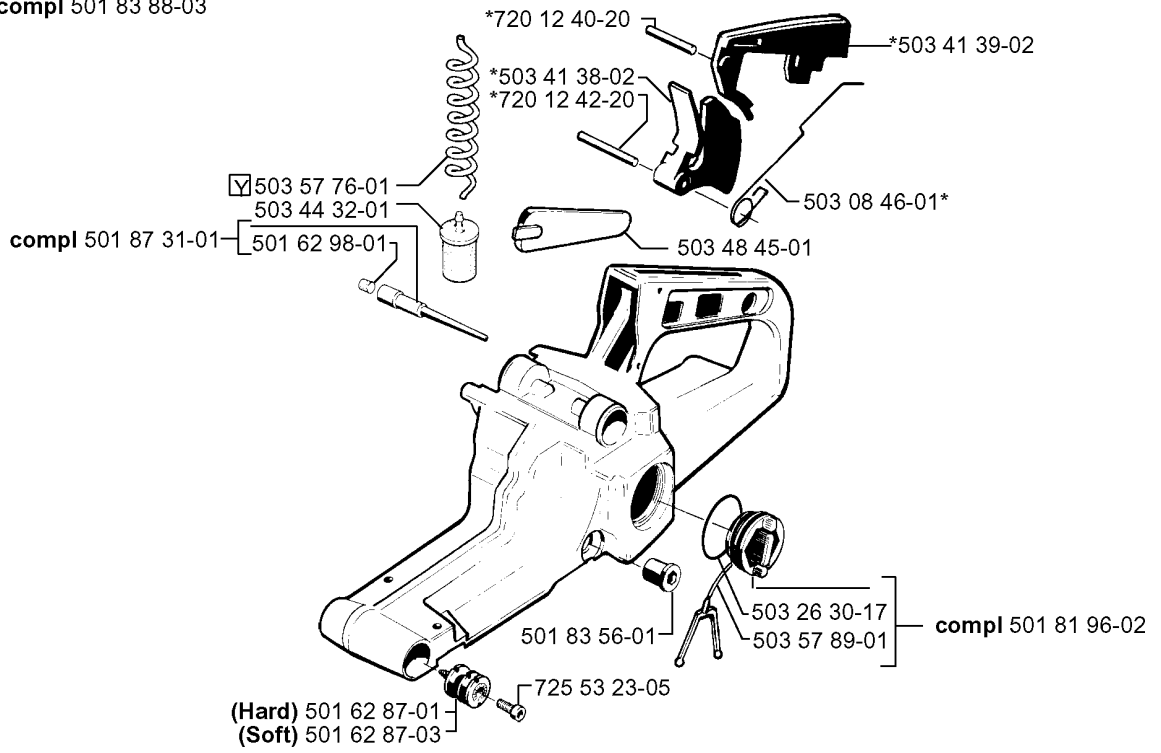


CARBURETOR & AIR FILTER

246, 20014000001-Current

Part No	Description	Remark	QTY KIT
501 62 21-01	SEALING COLLAR		1
501 62 86-01	SLEEVE		1
501 79 25-01	INTERMEDIATE WALL		1
501 79 64-02	CHOKE CONTROL		1
501 83 58-02	THROTTLE CABLE ASSY		1
501 86 20-02	MANIFOLD		1
501 86 21-02	GASKET	1	1
501 86 25-02	GASKET	1	1
503 15 19-03	AIR FILTER ASSY		1
503 15 19-05	AIR FILTER ASSY	FELT	1
503 15 19-06	AIR FILTER ASSY		1
503 15 22-02	AIR FILTER HOLDER		1
503 20 32-19	SCREW CCRPANMO		1
503 28 10-19	CARBURETTOR		1
503 49 69-03	SCREW CARBURETTOR		2
725 53 27-55	SCREW IHSCM		1
734 11 46-01	WASHER		1
734 11 46-01	WASHER		1

E *compl 501 83 88-03

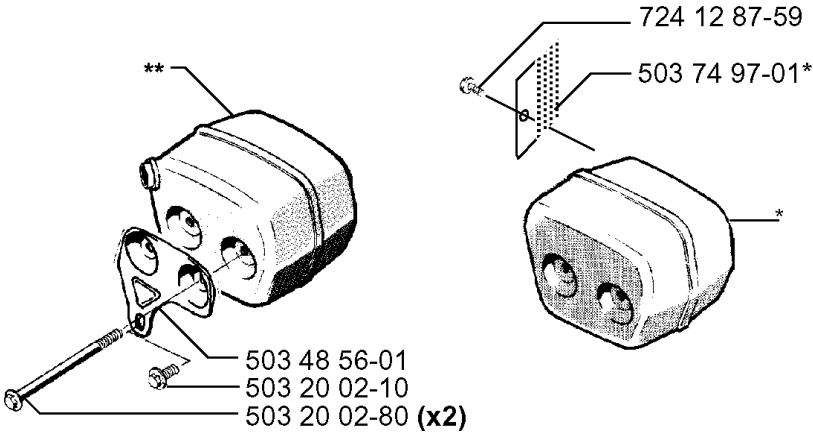


FUEL TANK

246, 20014000001-Current

Part No	Description	Remark	QTY KIT
501 62 87-01	ANTIVIBRATION ELEMENT	HARD	1
501 62 87-03	ANTIVIBRATION ELEMENT	SOFT	1
501 62 98-01	VALVE PLUG		1
501 81 96-02	TANK CAP ASSY		1
501 83 56-01	ANTIVIBRATION ELEMENT		1
501 83 88-03	FUEL TANK ASSY		1
501 87 31-01	TANK VENT ASSY		1
503 08 46-01	RECOIL SPRING		1
503 26 30-17	O-RING		1
503 41 38-02	THROTTLE LEVER		1
503 41 39-02	THROTTLE LOCKOUT		1
503 44 32-01	FUEL FILTER		1
503 48 45-01	HANDLE INSERT		1
503 57 76-01	FUEL HOSE		1
503 57 89-01	HOLDER		1
720 12 40-20	PARALLEL PIN		1
720 12 42-20	PARALLEL PIN		1
725 53 23-05	SCREW IHSCM		1

F *compl 503 74 64-01
**compl 503 48 58-01

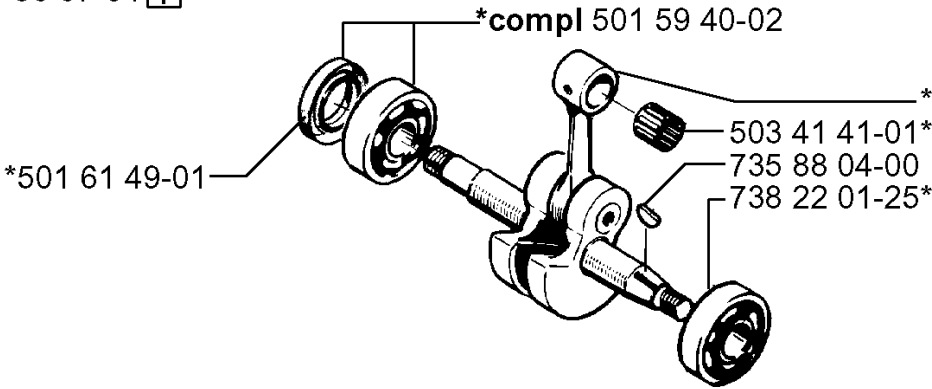


MUFFLER

246, 20014000001-Current

Part No	Description	Remark	QTY KIT
503 20 02-10	SCREW IHSCFM		1
503 20 02-80	SCREW IHSCFM		2
503 48 56-01	BASEPLATE		1
503 48 58-01	MUFFLER ASSY		1
503 74 64-01	MUFFLER		1
503 74 97-01	SPARK ARRESTER SCREEN		1
724 12 87-59	SCREW CRPANM		1

G *compl 503 53 67-04

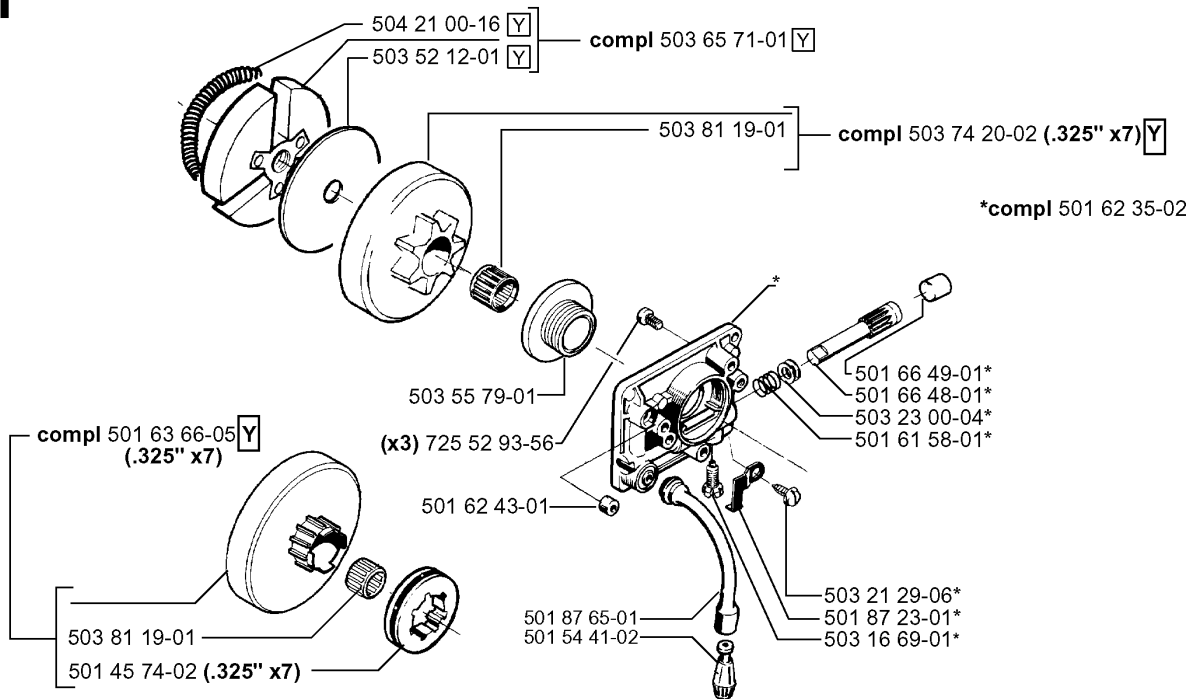


CRANKSHAFT

246, 20014000001-Current

Part No	Description	Remark	QTY KIT
501 59 40-02	BALL BEARING		1
501 61 49-01	SEALING RING		1
503 41 41-01	NEEDLE BEARING		1
503 53 67-04	CRANKSHAFT		1
735 88 04-00	WOODRUFF KEY		1
738 22 01-25	BALL BEARING		1

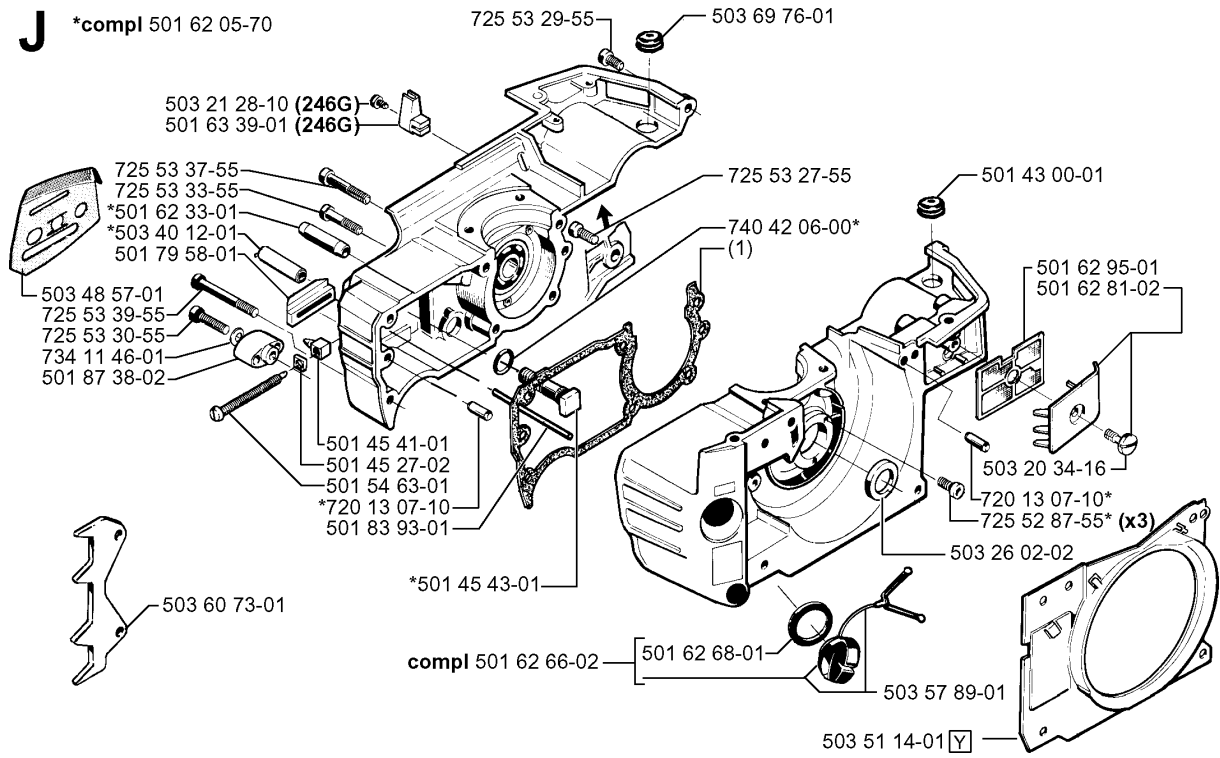
H



CLUTCH & OIL PUMP

246, 20014000001-Current

Part No	Description	Remark	QTY KIT
501 45 74-02	RIM	.325 X7	1
501 54 41-02	OIL SCREEN		1
501 61 58-01	SPRING		1
501 62 35-02	OIL PUMP ASSY		1
501 62 43-01	SEALING RING		1
501 63 66-05	CLUTCH DRUM	.325 X7	1
501 66 48-01	PUMP PISTON		1
501 66 49-01	TÄTNINGSPROPP		1
501 87 23-01	LOCKING SPRING		1
501 87 65-01	OIL HOSE		1
503 16 69-01	PIN SCREW		1
503 21 29-06	SCREW CCRPANT		1
503 23 00-04	WASHER		1
503 52 12-01	WASHER		1
503 55 79-01	PUMP PINION		1
503 65 71-01	CLUTCH ASSY		1
503 74 20-02	CLUTCH DRUM	.325 X7	1
503 81 19-01	NEEDLE BEARING		1
503 81 19-01	NEEDLE BEARING		1
504 21 00-16	CLUTCH SPRING		1
725 52 93-56	SCREW IHSCM		3

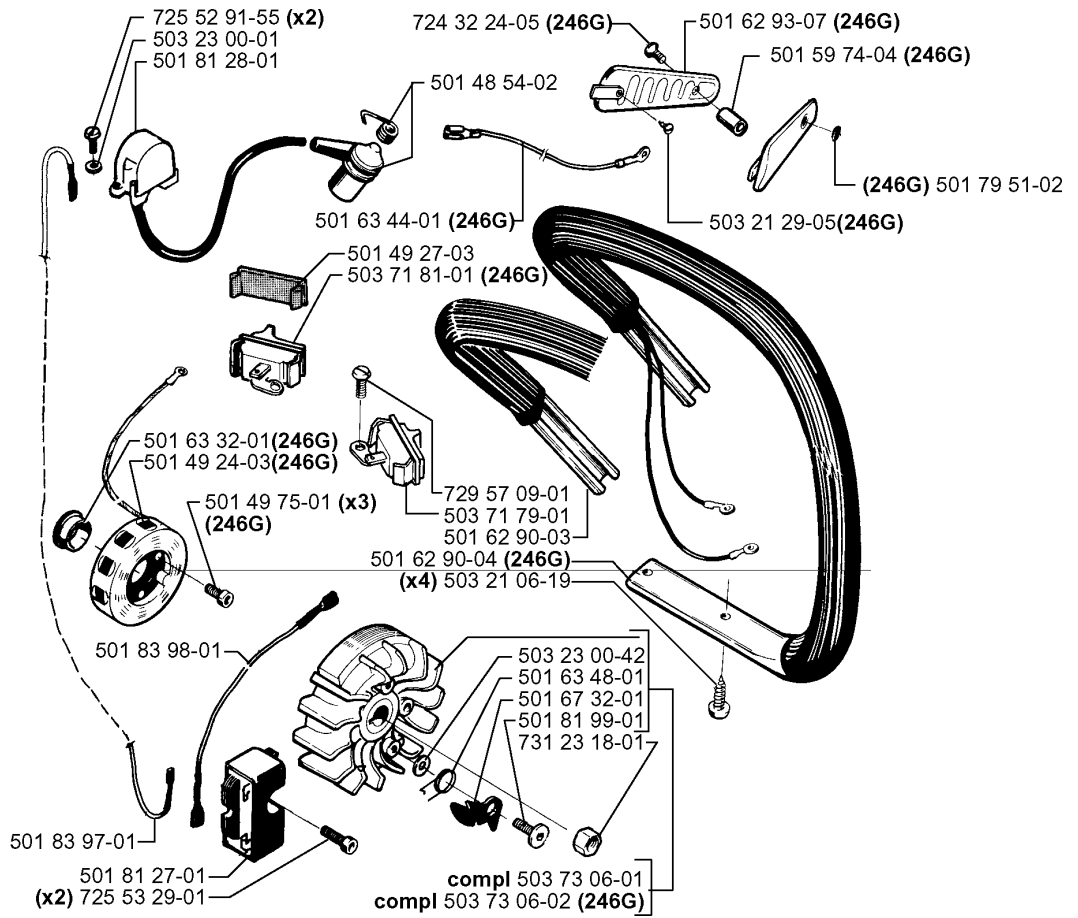


CRANKCASE

246, 20014000001-Current

Part No	Description	Remark	QTY KIT
501 43 00-01	CABLE GROMMET		1
501 45 27-02	LOCK NUT		1
501 45 41-01	NUT		1
501 45 43-01	BAR BOLT		1
501 54 63-01	SCREW		1
501 62 05-70	CRANKCASE ASSY		1
501 62 33-01	SPRING PIN		1
501 62 66-02	TANK		1
501 62 68-01	GASKET		1
501 62 81-02	HUB CAP		1
501 62 95-01	PREFILTER ASSY		1
501 63 39-01	INSULATING PIECE	246G	1
501 79 58-01	CHAIN GUIDE		1
501 83 93-01	OIL TANK VENT		1
501 87 38-02	CHAIN CATCHER		1
503 20 34-16	SCREW CCRPANMO		1
503 21 28-10	SCREW CCRPANT	246G	1
503 26 02-02	SEALING RING		1
503 40 12-01	SPRING PIN		1
503 48 57-01	CHAIN GUIDE PLATE		1
503 51 14-01	BAR		1
503 57 89-01	HOLDER		1
503 60 73-01	SPIKE		1
503 69 76-01	GROMMET		1
720 13 07-10	PARALLEL PIN		1
720 13 07-10	PARALLEL PIN		1
725 52 87-55	SCREW IHSCM		3
725 53 27-55	SCREW IHSCM		1
725 53 29-55	SCREW IHSCM		1
725 53 30-55	SCREW		1
725 53 33-55	SCREW IHSCM		1
725 53 37-55	SCREW IHSCM		1
725 53 39-55	SCREW IHSCM		1
734 11 46-01	WASHER		1
740 42 06-00	O-RING	1	1

K



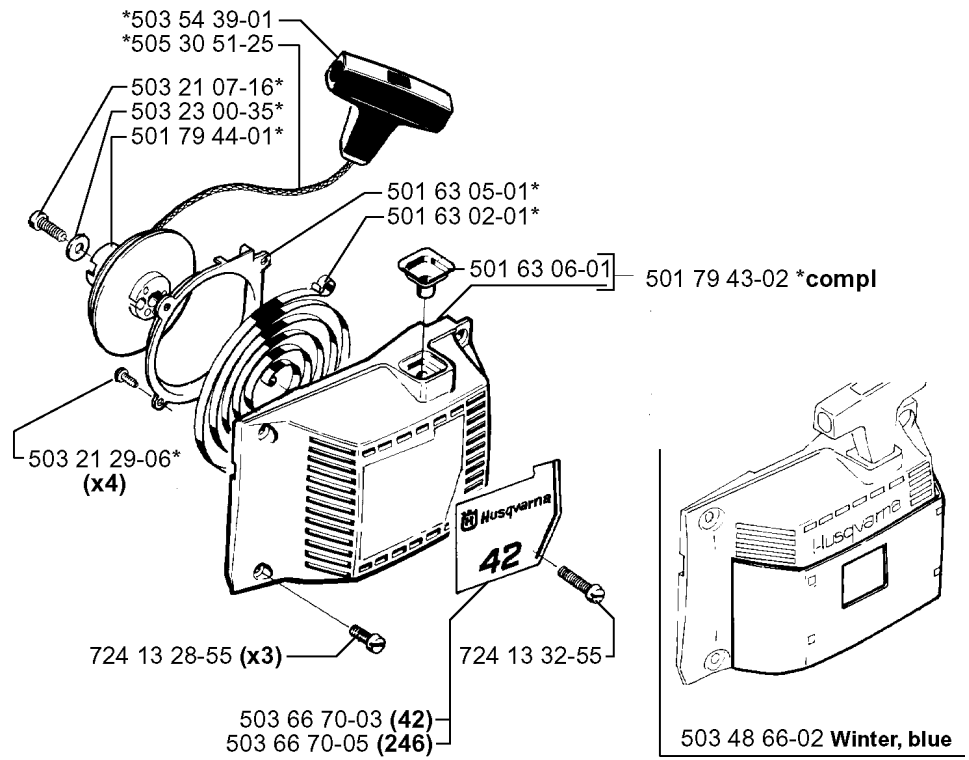
ELECTRICAL

246, 20014000001-Current

Part No	Description	Remark	QTY KIT
501 48 54-02	SPARK PLUG CAP		1
501 49 24-03	GENERATOR	246G	1
501 49 27-03	COVER		1
501 49 75-01	SCREW	246G	3
501 59 74-04	SPACER	246G	1
501 62 90-03	FRONT HANDLE ASSY		1
501 62 90-04	FRONT HANDLE ASSY	246G	1
501 62 93-07	HANDLE INSERT	246G	1
501 63 32-01	GUIDE BUSHING	246G	1
501 63 44-01	CABLE	246G	1
501 63 48-01	SPRING		1
501 67 32-01	PAWL		1
501 79 51-02	COVER WASHER	246G	1
501 81 27-01	MODULE		1
501 81 28-01	IGNITION COIL		1
501 81 99-01	SCREW		1
501 83 97-01	WIRE		1
501 83 98-01	CABLE		1
503 21 06-19	SCREW IHSC T		4
503 21 29-05	SCREW CCRPANT	246G	1
503 23 00-01	WASHER		1
503 23 00-42	WASHER		1
503 71 79-01	STOP SWITCH		1
503 71 81-01	SWITCH	246G	1
503 73 06-01	FLYWHEEL ASSY		1
503 73 06-02	FLYWHEEL ASSY	246G	1
724 32 24-05	SCREW CRCSFM	246G	1
725 52 91-55	SCREW IHSCM		2
725 53 29-01	SCREW IHSCM		2
729 57 09-01	SCREW CCRPANT		1
731 23 18-01	HEXAGON NUT		1

L

*compl 501 79 42-03



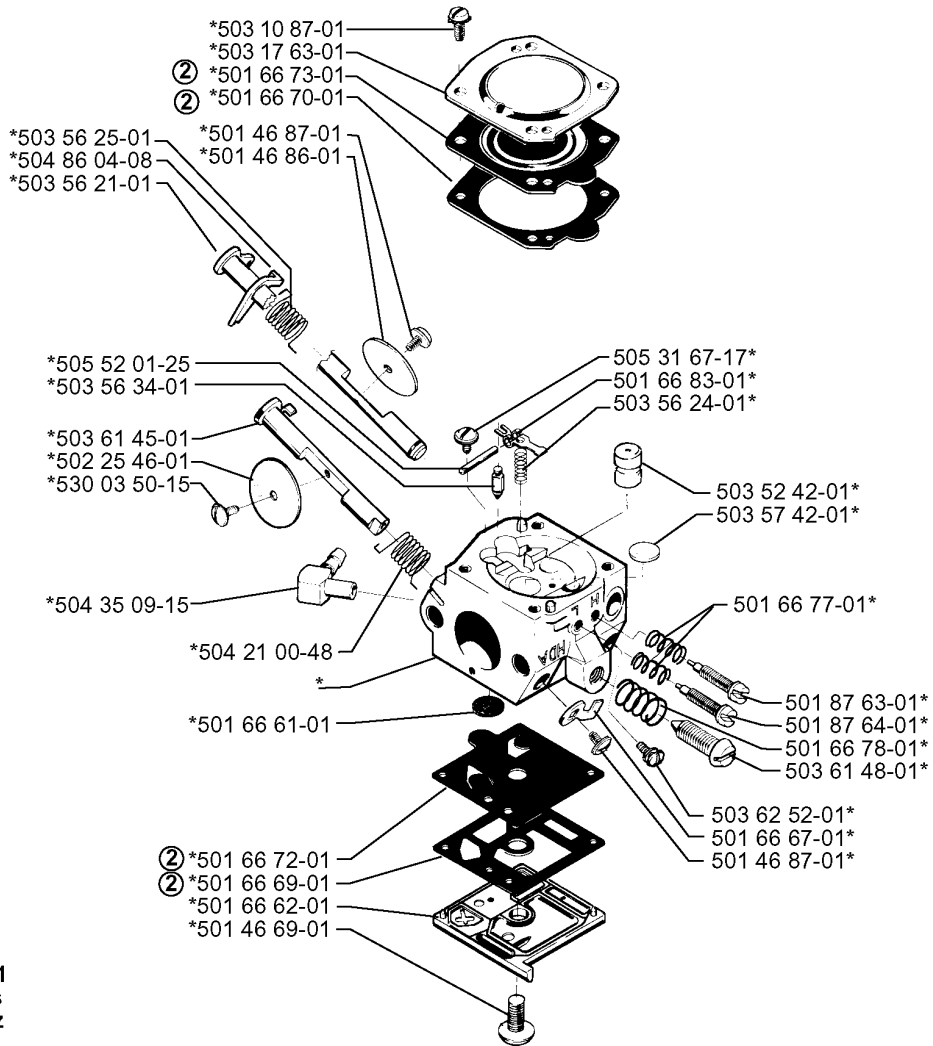
STARTER

246, 20014000001-Current

Part No	Description	Remark	QTY KIT
501 63 02-01	RECOIL SPRING		1
501 63 05-01	GUARD RING		1
501 63 06-01	SLEEVE		1
501 79 42-03	STARTER ASSY		1
501 79 43-02	STARTER HOUSING		1
501 79 44-01	STARTER PULLEY ASSY		1
503 21 07-16	SCREW IHST		1
503 21 29-06	SCREW CCRPANT		4
503 23 00-35	WASHER		1
503 48 66-02	WINTER COVER ASSY	WINTER, BLUE	1
503 54 39-01	STARTER HANDLE		1
503 66 70-03	DECAL	42	1
503 66 70-05	LABEL	246	1
505 30 51-25	STARTER CORD		1
724 13 28-55	SCREW CRPANM		3
724 13 32-55	SCREW		1

M *compl 503 28 10-19 **Y**

Walbro HDA-98



② 501 66 84-01
 Set of gaskets
 Dichtungssatz
 Jeu de joints
 Juego de juntas
 Packningssats

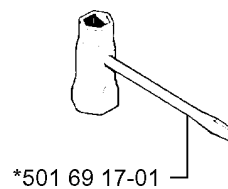
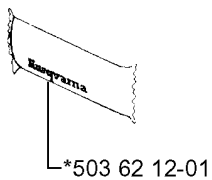
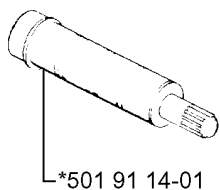
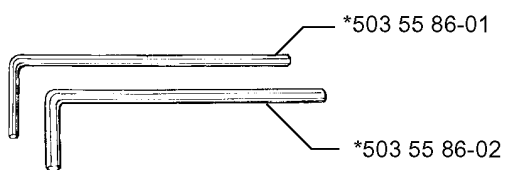
CARBURETOR DETAILS

246, 20014000001-Current

Part No	Description	Remark	QTY KIT
501 46 69-01	SCREW		1
501 46 86-01	VALVE		1
501 46 87-01	SCREW		1
501 46 87-01	SCREW		1
501 66 61-01	SCREEN		1
501 66 62-01	COVER		1
501 66 67-01	STOP-THROTTLE		1
501 66 69-01	GASKET	501 66 84-01 SET OF GASKETS	1
501 66 70-01	GASKET	501 66 84-01 SET OF GASKETS	1
501 66 72-01	DIAPHRAGM	501 66 84-01 SET OF GASKETS	1
501 66 73-01	DIAPHRAGM	501 66 84-01 SET OF GASKETS	1
501 66 77-01	SPRING		1
501 66 78-01	SPRING		1
501 66 83-01	LEVER		1
501 87 63-01	NEEDLE-HIGH SPEED		1
501 87 64-01	NEEDLE-IDLE SPEED		1
502 25 46-01	VALVE		1
503 10 87-01	SCREW		1
503 17 63-01	COVER		1
503 28 10-19	CARBURETTOR		1
503 52 42-01	NOZZLE ASSY		1
503 56 21-01	SHAFT ASSY		1
503 56 24-01	SPRING		1
503 56 25-01	SPRING		1
503 56 34-01	NEEDLE VALVE		1
503 57 42-01	PLUG		1
503 61 45-01	SHAFT ASSY		1
503 61 48-01	SCREW		1
503 62 52-01	SCREW ASSY		1
504 21 00-48	SPRING		1
504 35 09-15	FITTING		1
504 86 04-08	LEVER		1
505 31 67-17	SCREW		1
505 52 01-25	PIN		1
530 03 50-15	SCREW		1

N *Compl 503 55 85-01

Tillbehör
Accessories
Zubehöre
Accessoires
Accesorios

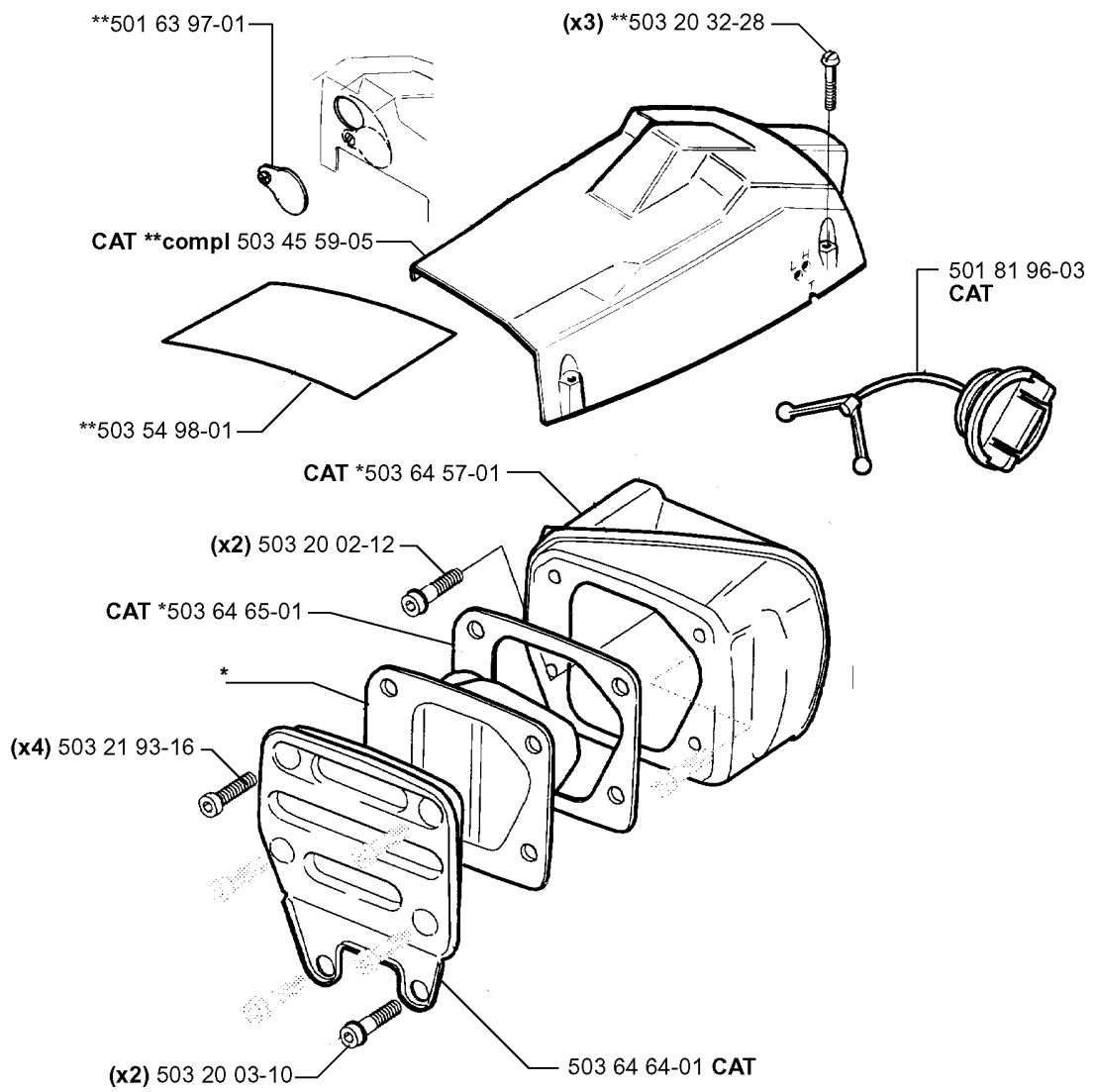


ACCESSORIES

246, 20014000001-Current

Part No	Description	Remark	QTY KIT
501 69 17-01	COMBINATION WRENCH		1
501 91 14-01	GREASE GUN		1
503 55 85-01	TOOL		1
503 55 86-01	SPANNER		1
503 55 86-02	SPANNER		1
503 62 12-01	GREASE		1

Q *compl 503 65 06-02 CAT (246)

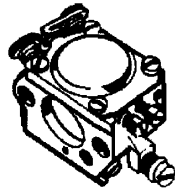
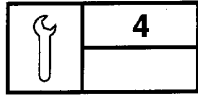


MUFFLER

246, 20014000001-Current

Part No	Description	Remark	QTY KIT
501 63 97-01	COVER		1
501 81 96-03	TANK CAP ASSY	CAT	1
503 20 02-12	SCREW IHSCFM		2
503 20 03-10	SCREW IHSCFM		2
503 20 32-28	SCREW		3
503 21 93-16	SCREW IHSCM		4
503 45 59-05	CYLINDER COVER ASSY	CAT	1
503 54 98-01	AL.FOLIE		1
503 64 57-01	MUFFLER CAT	CAT	1
503 64 64-01	KYLARE MED STÖDBEN	CAT	1
503 64 65-01	GASKET	CAT	1
503 65 06-02	MUFFLER ASSY	CAT (246)	1

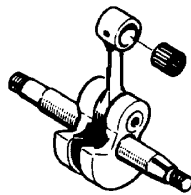
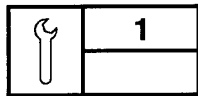
Y



HDA 34
503 17 32-01

Serial number:
≥ 923 0720
(1989)

HDA 84
503 28 10-17

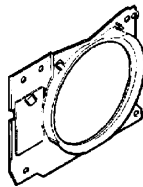
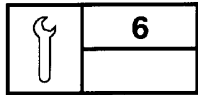


503 53 67-01

Serial number:
≥ 045 0747
(1990)

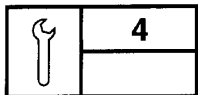
503 53 67-02

Serial number:
≥ 411 0291
(1994)



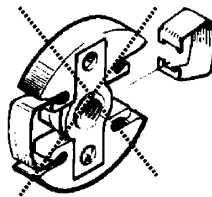
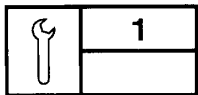
501 63 15-02

Serial number:
≥ 105 0408
(1991)



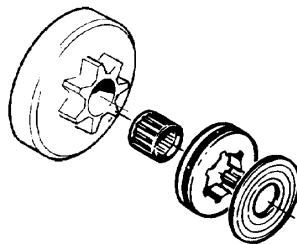
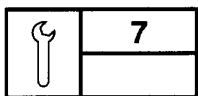
501 79 52-01

Serial number:
≥ 118 0239
(1991)



501 63 60-03

Serial number:
≥ 126 0350
(1991)



compl 503 44 49-01 (SPUR)

Serial number:
≥ 439 0201
(1994)

compl 503 44 49-02 (SPUR)
compl 501 63 66-03 (RIM)
compl 503 74 20-01 (SPUR)

Serial number:
≥ 612 0001
(1996)

SERVICE UPDATES

246, 20014000001-Current

Part No	Description	Remark	QTY KIT
501 63 15-02	LEDSKENA KYLLUFT	SERIAL NUMBER: GREATER THAN OR EQUAL TO 105 0408 (1991)	1
501 63 60-03	CLUTCH ASSY	SERIAL NUMBER: GREATER THAN OR EQUAL TO 126 0350 (1991)	1
501 63 66-03	CLUTCH DRUM ASSY	RIM SERIAL NUMBER: GREATER THAN OR EQUAL TO 612 0001 (1996)	1
501 79 52-01	HOSE	SERIAL NUMBER: GREATER THAN OR EQUAL TO 118 0239 (1991)	1
503 17 32-01	CARBURETTOR	HDA 34 SERIAL NUMBER: GREATER THAN OR EQUAL TO 923 0720 (1989)	1
503 28 10-17	CARBURETTOR	HDA 84 SERIAL NUMBER: GREATER THAN OR EQUAL TO 923 0720 (1989)	1
503 44 49-01	CLUTCH DRUM ASSY	SPUR SERIAL NUMBER: GREATER THAN OR EQUAL TO 439 0201 (1994)	1
503 44 49-02	CLUTCH DRUM	SPUR SERIAL NUMBER: GREATER THAN OR EQUAL TO 612 0001 (1996)	1
503 53 67-01	CRANKSHAFT	SERIAL NUMBER: GREATER THAN OR EQUAL TO 045 0747 (1990)	1
503 53 67-02	CRANKSHAFT	SERIAL NUMBER: GREATER THAN OR EQUAL TO 411 0291 (1994)	1
503 74 20-01	CLUTCH DRUM	SPUR SERIAL NUMBER: GREATER THAN OR EQUAL TO 612 0001 (1996)	1