

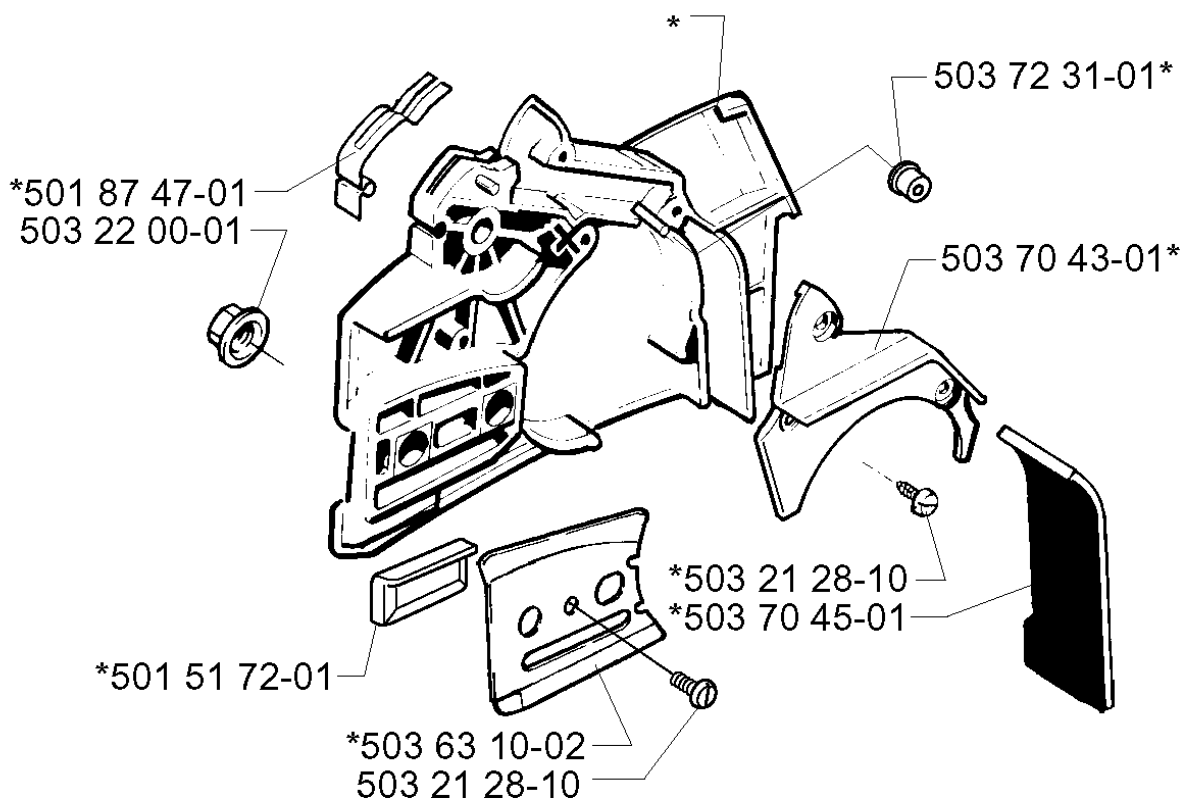
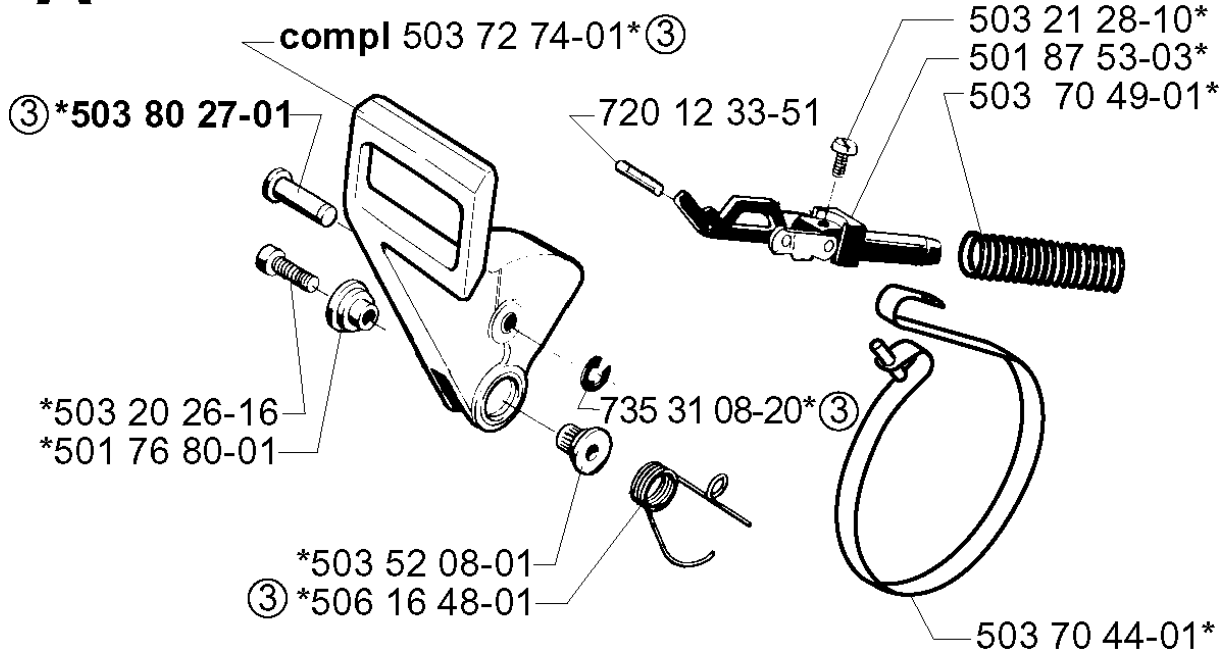


SPARE PARTS LIST

CHAIN SAWS

257, 20013500001-Current

A *compl 503 74 70-72

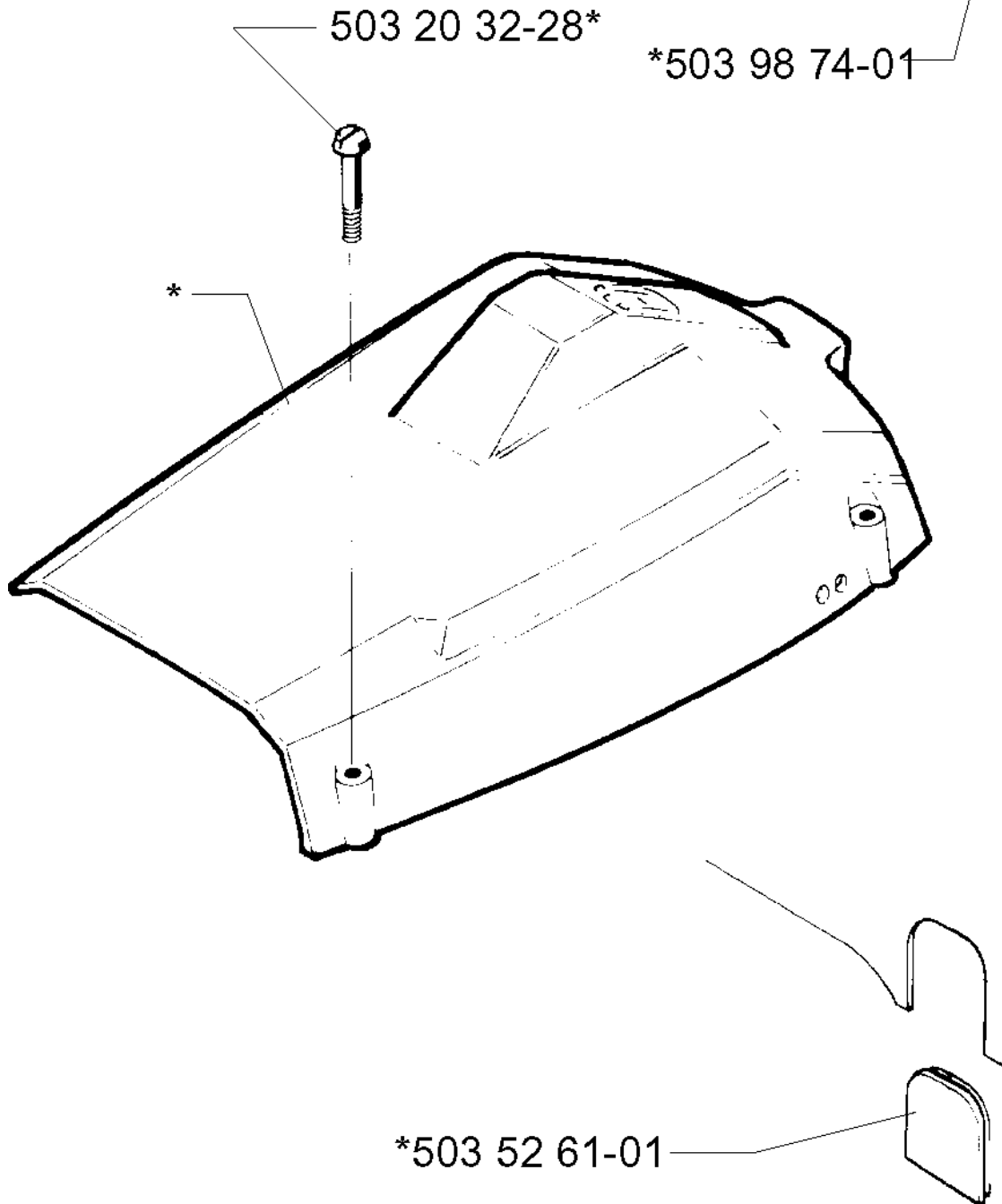
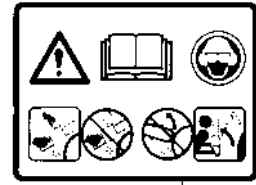


CHAIN BRAKE

257, 20013500001-Current

Part No	Description	Remark	QTY KIT
501 51 72-01	CHAIN GUIDE		1
501 76 80-01	SHAFT		1
501 87 47-01	SPRING		1
501 87 53-03	KNEE JOINT		1
503 20 26-16	SCREW IHSCM		1
503 21 28-10	SCREW CCRPANT		1
503 21 28-10	SCREW CCRPANT		1
503 21 28-10	SCREW CCRPANT		1
503 22 00-01	HEXAGON NUT		1
503 52 08-01	SHAFT		1
503 63 10-02	CHAIN GUIDE PLATE		1
503 70 43-01	HUB CAP		1
503 70 44-01	BRAKE BAND ASSY		1
503 70 45-01	CHIP GUARD		1
503 70 49-01	BRAKE SPRING		1
503 72 31-01	BUSHING		1
503 72 74-01	HAND GUARD ASSY		1
503 74 70-72	CLUTCH COVER		1
503 80 27-01	PIVOT PIN		1
506 16 48-01	POSITION SPRING		1
720 12 33-51	PARALLEL PIN		1
735 31 08-20	E-CLIP		1

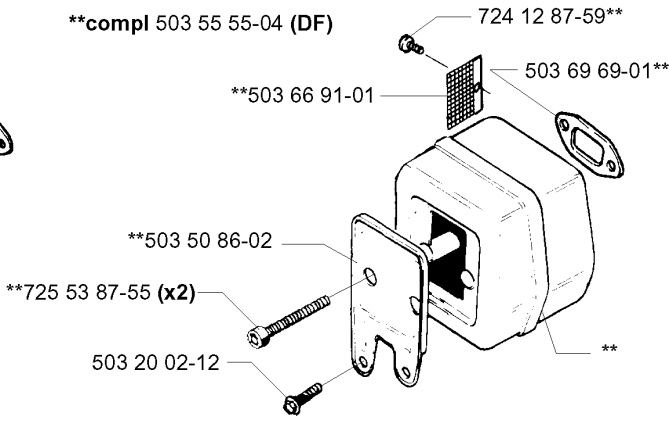
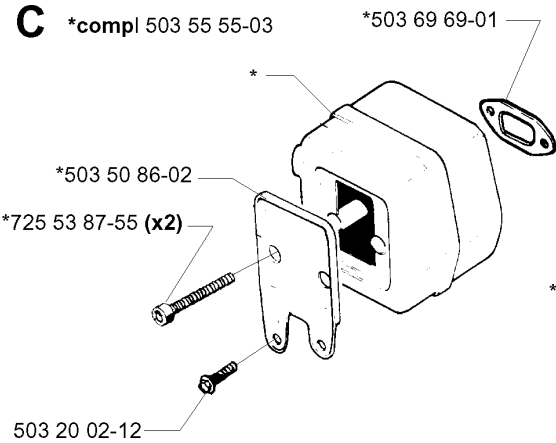
B *compl 503 65 49-02



COVER

257, 20013500001-Current

Part No	Description	Remark	QTY KIT
503 20 32-28	SCREW		1
503 52 61-01	WINTER PLUG		1
503 65 49-02	CYLINDER COVER ASSY		1
503 66 28-16	DECAL		1
503 98 74-01	LABEL		1

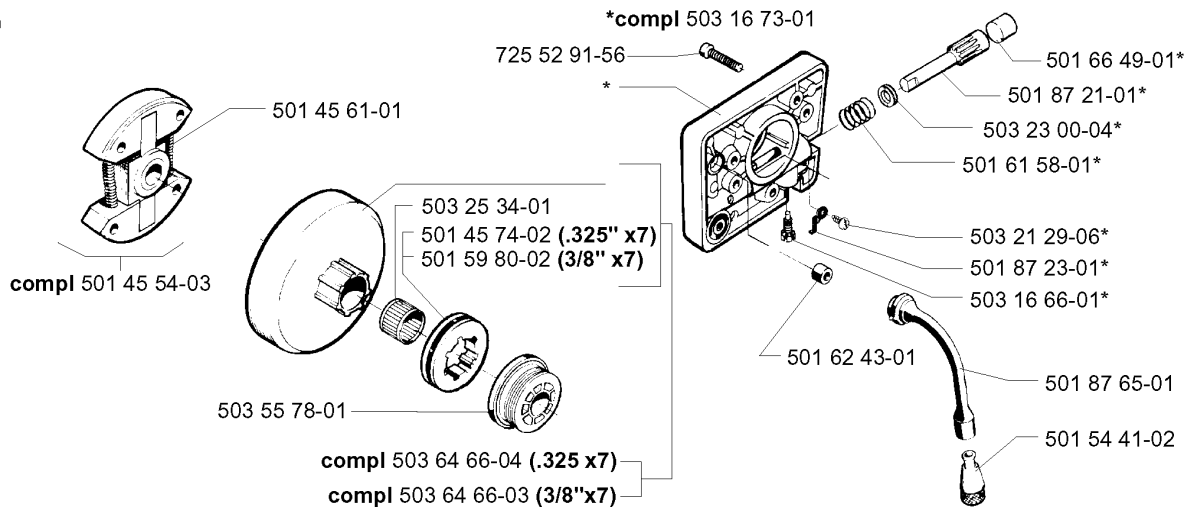


MUFFLER

257, 20013500001-Current

Part No	Description	Remark	QTY KIT
503 20 02-12	SCREW IHSCFM		1
503 20 02-12	SCREW IHSCFM		1
503 50 86-02	BASEPLATE		1
503 50 86-02	BASEPLATE		1
503 55 55-03	MUFFLER		1
503 55 55-04	MUFFLER	DF	1
503 66 91-01	SPARK ARRESTER SCREEN		1
503 69 69-01	FLANGE WASHER		1
503 69 69-01	FLANGE WASHER		1
724 12 87-59	SCREW CRPANM		1
725 53 87-55	SCREW		2
725 53 87-55	SCREW		2

D

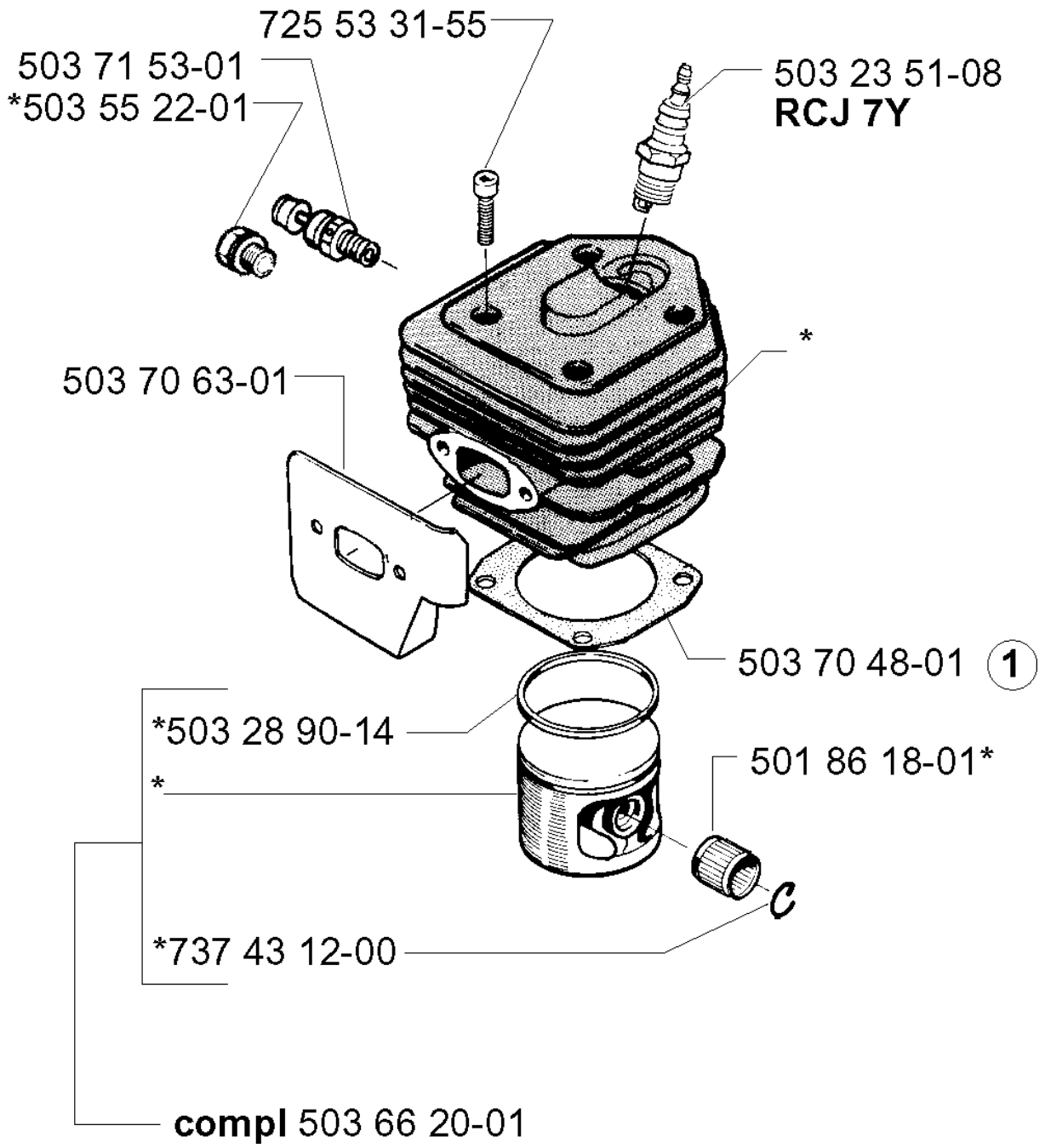


CLUTCH & OIL PUMP

257, 20013500001-Current

Part No	Description	Remark	QTY KIT
501 45 54-03	CLUTCH ASSY		1
501 45 61-01	CLUTCH SPRING		1
501 45 74-02	RIM	.325 X7	1
501 54 41-02	OIL SCREEN		1
501 59 80-02	RIM	3/8 X7	1
501 61 58-01	SPRING		1
501 62 43-01	SEALING RING		1
501 66 49-01	TÄTNINGSPROPP		1
501 87 21-01	PUMP PISTON		1
501 87 23-01	LOCKING SPRING		1
501 87 65-01	OIL HOSE		1
503 16 66-01	PIN SCREW		1
503 16 73-01	OIL PUMP ASSY		1
503 21 29-06	SCREW CCRPANT		1
503 23 00-04	WASHER		1
503 25 34-01	NEEDLE BEARING		1
503 55 78-01	PUMP PINION		1
503 64 66-03	CLUTCH DRUM	3/8X7	1
503 64 66-04	CLUTCH DRUM ASSY	.325 X7	1
725 52 91-56	SCREW IHSCM		1

E *compl 503 66 08-72

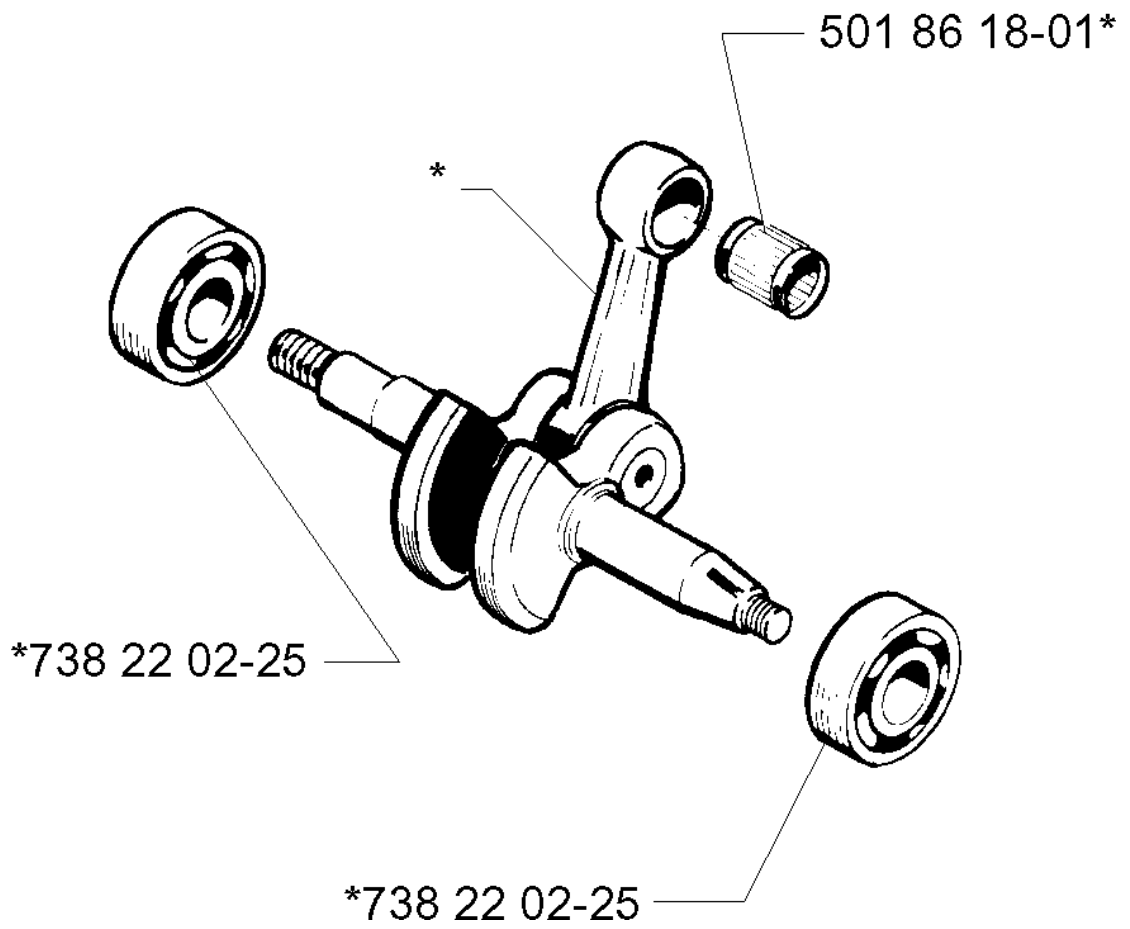


CYLINDER PISTON

257, 20013500001-Current

Part No	Description	Remark	QTY KIT
501 86 18-01	NEEDLE BEARING		1
503 23 51-08	SPARK PLUG	RCJ 7Y	1
503 28 90-14	PISTON RING		1
503 55 22-01	PLUG		1
503 66 08-72	CYLINDER ASSY		1
503 66 20-01	PISTON ASSY		1
503 70 48-01	GASKET		1
503 70 63-01	HEAT DEFLECTOR		1
503 71 53-01	DECOMPRESSION VALVE		1
725 53 31-55	SCREW IHSCM		1
737 43 12-00	SNAP RING		1

F *compl 506 18 19-72

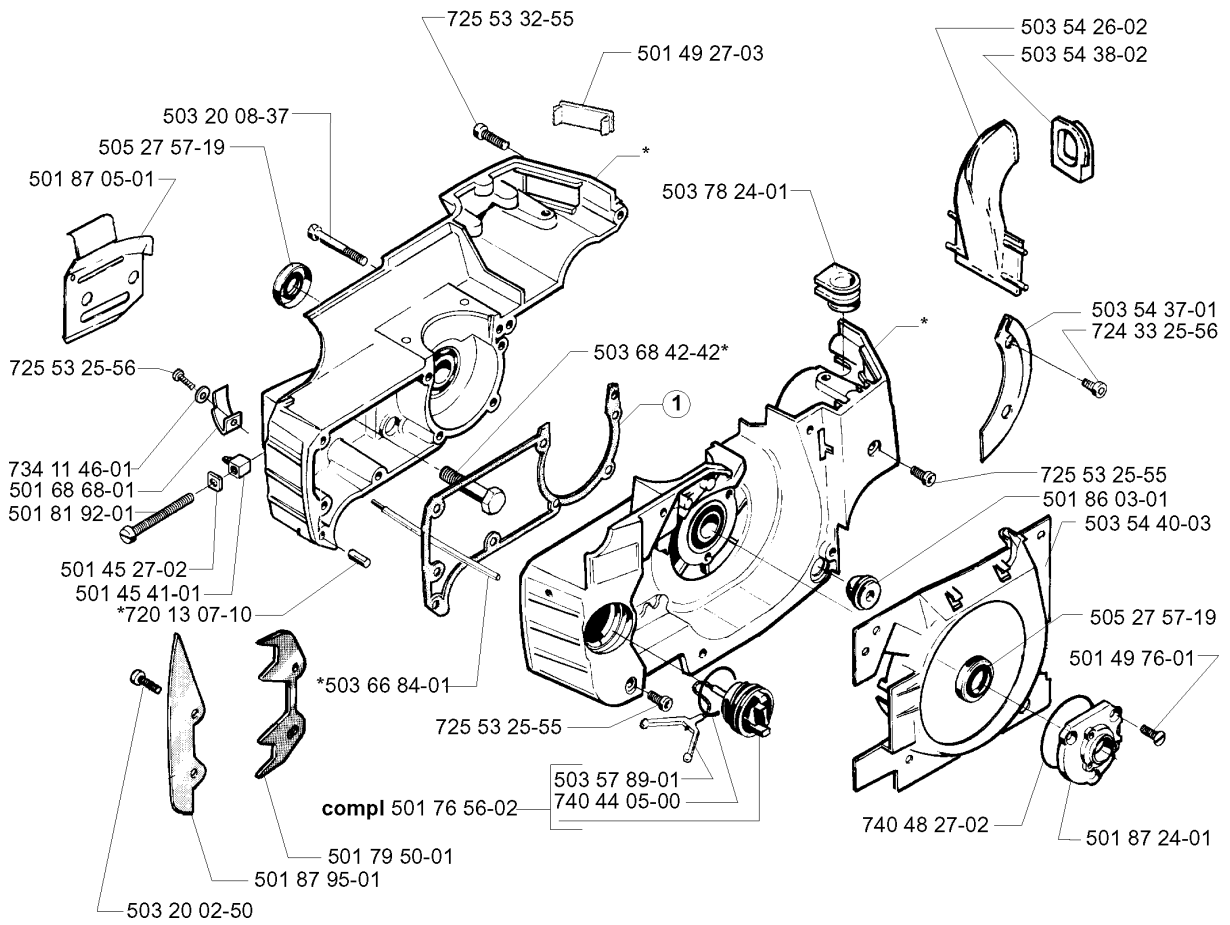


CRANKSHAFT

257, 20013500001-Current

Part No	Description	Remark	QTY KIT
501 86 18-01	NEEDLE BEARING		1
506 18 19-72	CRANKSHAFT ASSY		1
738 22 02-25	BALL BEARING		1
738 22 02-25	BALL BEARING		1

G *compl 501 86 00-04

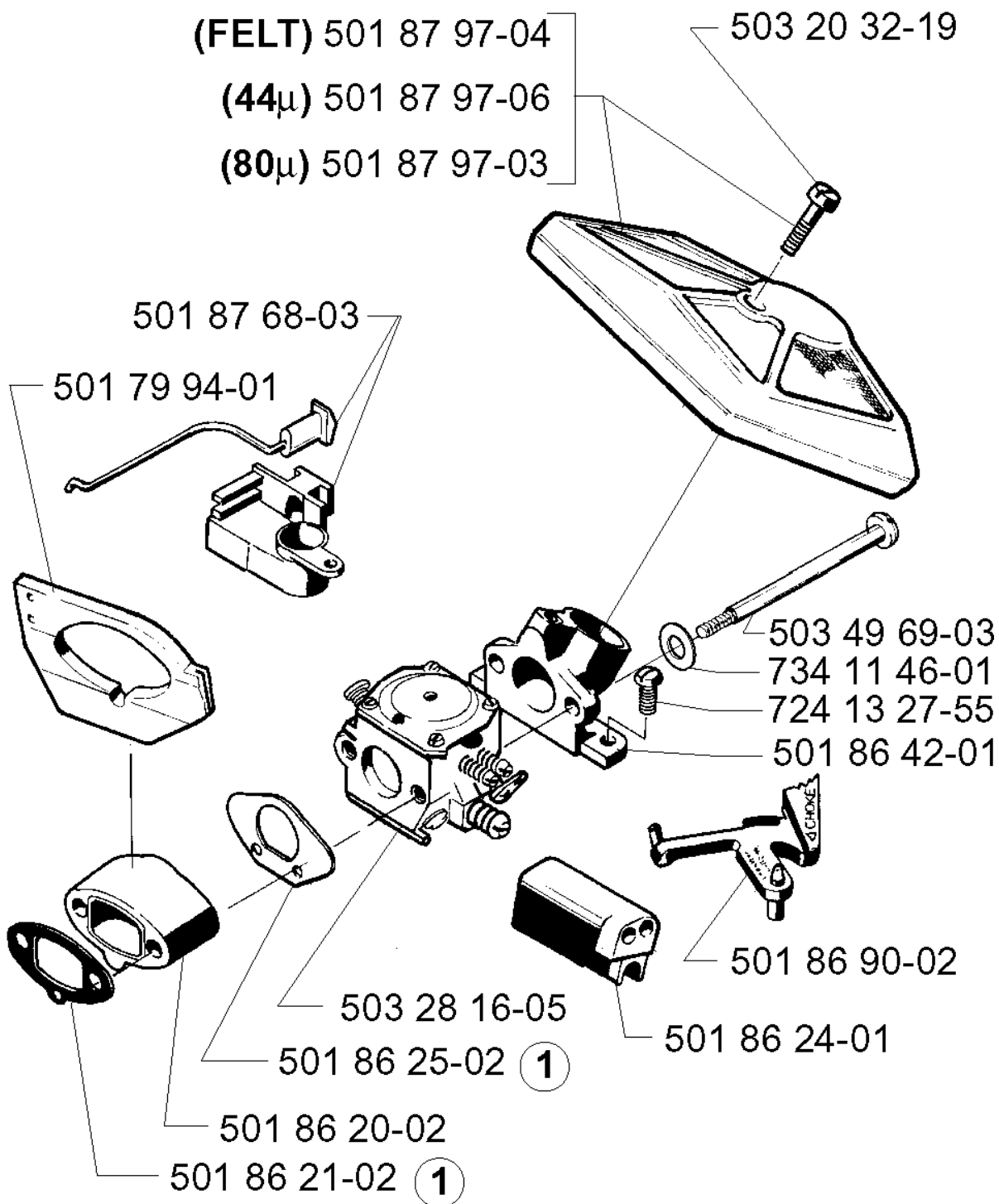


CRANKCASE

257, 2001350001-Current

Part No	Description	Remark	QTY KIT
501 45 27-02	LOCK NUT		1
501 45 41-01	NUT		1
501 49 27-03	COVER		1
501 49 76-01	SCREW		1
501 68 68-01	CHAIN CATCHER		1
501 76 56-02	TANK CAP ASSY		1
501 79 50-01	SPIKE		1
501 81 92-01	SCREW		1
501 86 00-04	CRANKCASE ASSY		1
501 86 03-01	BUFFER		1
501 87 05-01	CHAIN GUIDE PLATE		1
501 87 24-01	HOLDER		1
501 87 95-01	SPIKE		1
503 20 02-50	SCREW IHSCFM		1
503 20 08-37	SCREW IHSCM		1
503 54 26-02	AIR NOZZLE		1
503 54 37-01	AIR CONDUCTOR		1
503 54 38-02	GROMMET		1
503 54 40-03	AIR CONDUCTOR		1
503 57 89-01	HOLDER		1
503 66 84-01	TANK VENT ASSY		1
503 68 42-42	BAR BOLT		1
503 78 24-01	GROMMET		1
505 27 57-19	SEALING RING		1
505 27 57-19	SEALING RING		1
720 13 07-10	PARALLEL PIN		1
724 33 25-56	SCREW CRCFSM		1
725 53 25-55	SCREW IHSCM		1
725 53 25-55	SCREW IHSCM		1
725 53 25-56	SCREW IHSCM		1
725 53 32-55	SCREW		1
734 11 46-01	WASHER		1
740 44 05-00	O-RING		1
740 48 27-02	O-RING		1

H



CARBURETOR & AIR FILTER

257, 20013500001-Current

Part No	Description	Remark	QTY KIT
501 79 94-01	SEALING COLLAR		1
501 86 20-02	MANIFOLD		1
501 86 21-02	GASKET		1
501 86 24-01	GUIDE BUSHING		1
501 86 25-02	GASKET		1
501 86 42-01	AIR FILTER HOLDER		1
501 86 90-02	CHOKE CONTROL		1
501 87 68-03	THROTTLE ROD		1
501 87 97-03	AIR FILTER ASSY		1
501 87 97-04	AIR FILTER ASSY	FELT	1
501 87 97-06	AIR FILTER ASSY		1
503 20 32-19	SCREW CCRPANMO		1
503 28 16-05	CARBURETTOR		1
503 49 69-03	SCREW CARBURETTOR		1
724 13 27-55	SCREW CRPANM		1
734 11 46-01	WASHER		1

J

***compl 501 76 13-10**

***503 57 76-01**

503 73 58-01*

720 12 42-20*

501 87 77-02*

***503 44 32-01**

***503 09 79-04**

***720 13 15-20**

503 08 46-01*

compl 503 54 01-03

501 87 31-01*

503 54 61-02

503 40 47-01

501 86 72-02

503 57 89-01

503 26 30-17

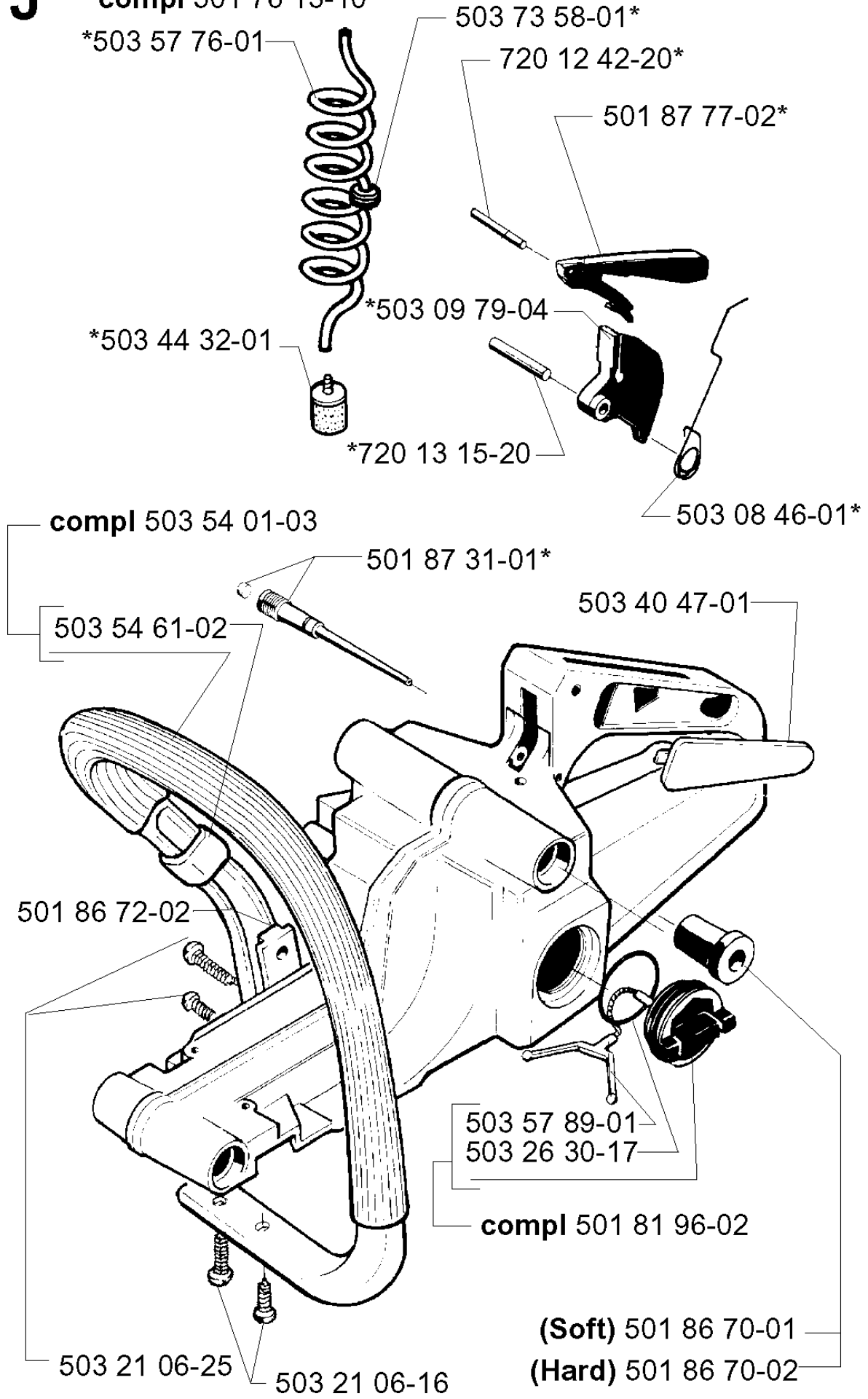
compl 501 81 96-02

(Soft) 501 86 70-01

(Hard) 501 86 70-02

503 21 06-25

503 21 06-16

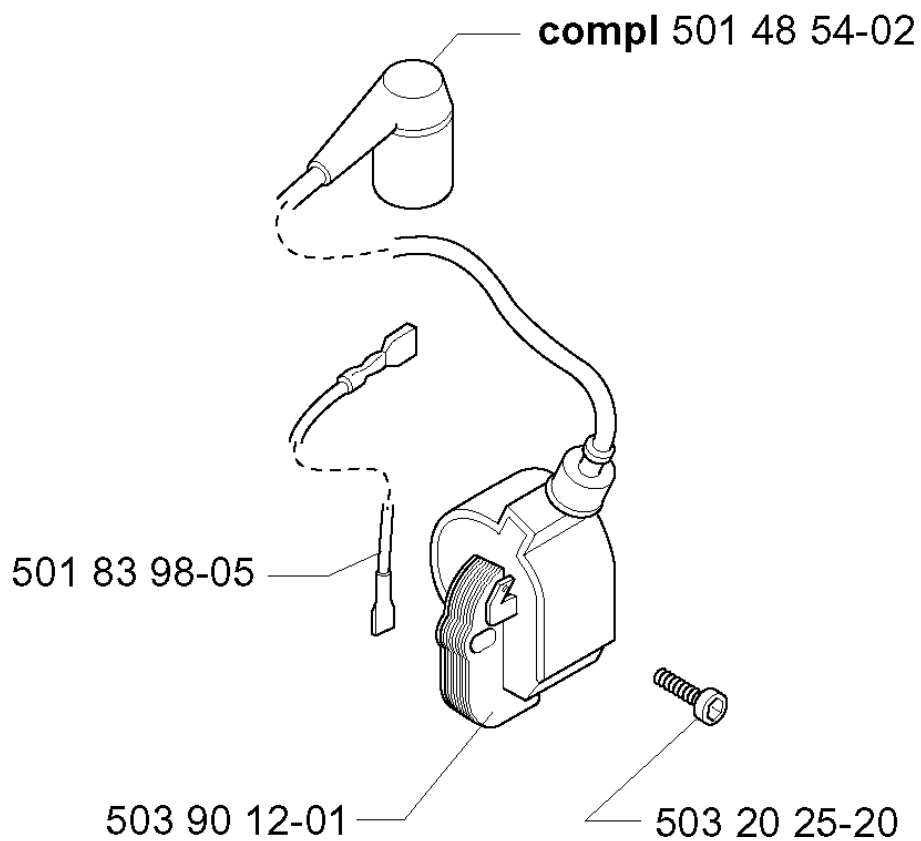
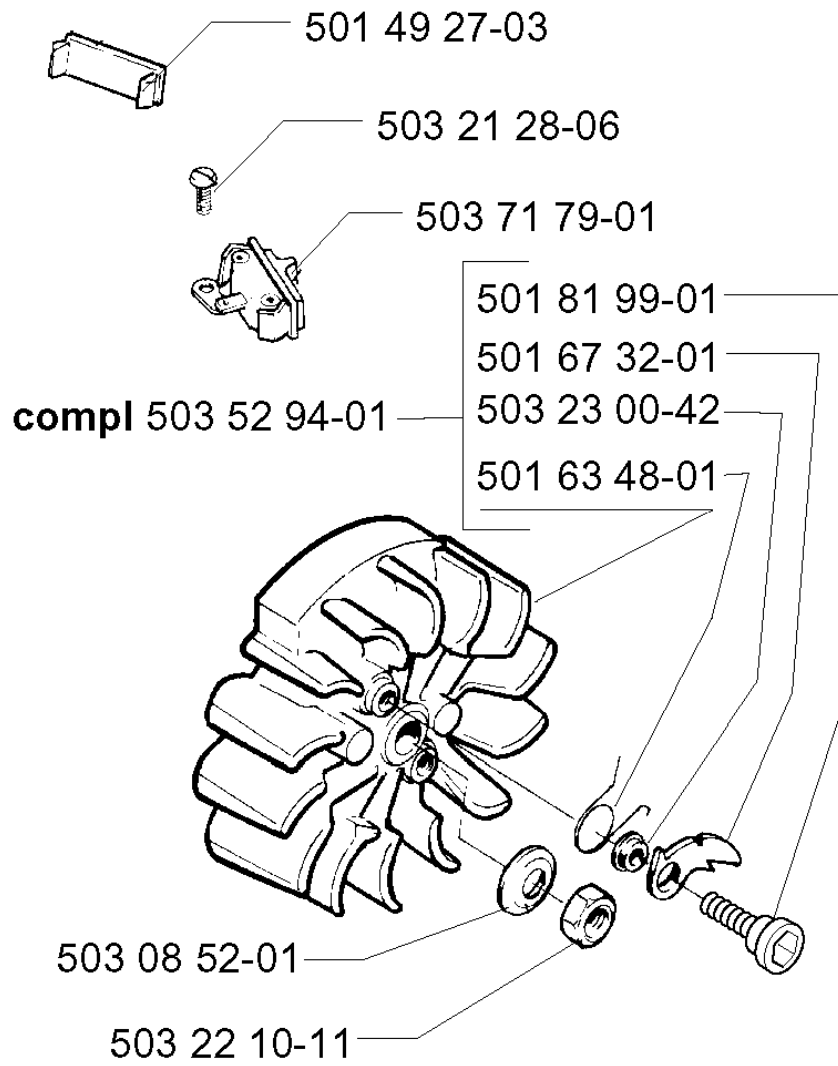


FUEL TANK & HANDLE

257, 2001350001-Current

Part No	Description	Remark	QTY KIT
501 76 13-10	FUEL TANK		1
501 81 96-02	TANK CAP ASSY		1
501 86 70-01	ANTIVIBRATION ELEMENT	SOFT	1
501 86 70-02	ANTIVIBRATION ELEMENT	HARD	1
501 86 72-02	INTERLAYER		1
501 87 31-01	TANK VENT ASSY		1
501 87 77-02	THROTTLE LOCKOUT		1
503 08 46-01	RECOIL SPRING		1
503 09 79-04	THROTTLE LEVER		1
503 21 06-16	SCREW IHSC T		1
503 21 06-25	SCREW IHSC FT		1
503 26 30-17	O-RING		1
503 40 47-01	HANDLE INSERT		1
503 44 32-01	FUEL FILTER		1
503 54 01-03	FRONT HANDLE		1
503 54 61-02	LATERAL SUPPORT		1
503 57 76-01	FUEL HOSE		1
503 57 89-01	HOLDER		1
503 73 58-01	BUSHING		1
720 12 42-20	PARALLEL PIN		1
720 13 15-20	PARALLEL PIN		1

K

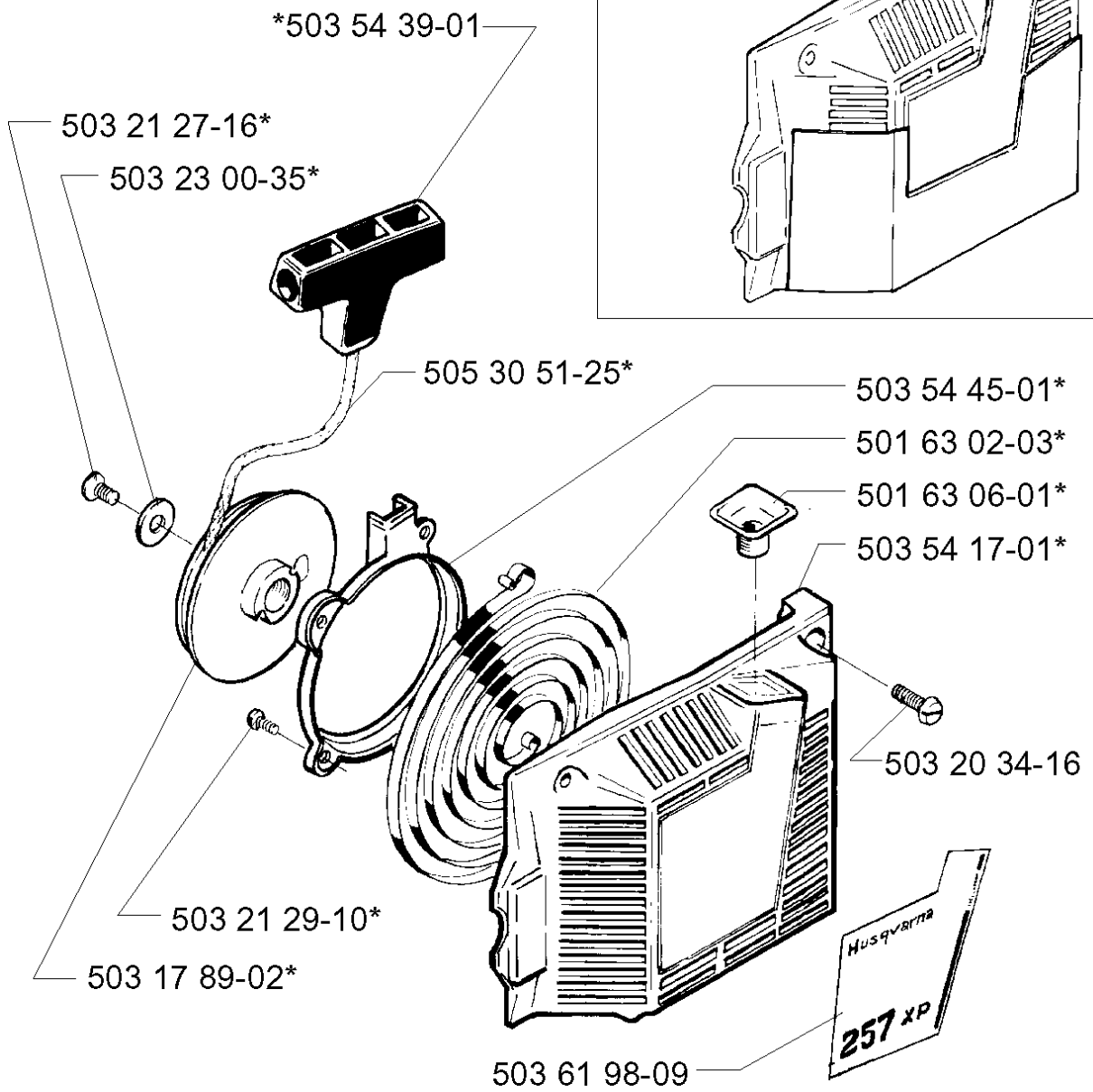


IGNITION SYSTEM

257, 20013500001-Current

Part No	Description	Remark	QTY KIT
501 48 54-02	SPARK PLUG CAP		1
501 49 27-03	COVER		1
501 63 48-01	SPRING		1
501 67 32-01	PAWL		1
501 81 99-01	SCREW		1
501 83 98-05	CABLE		1
503 08 52-01	WASHER		1
503 20 25-20	SCREW IHSCM		1
503 21 28-06	SCREW CCRPANT		1
503 22 10-11	HEXAGON NUT		1
503 23 00-42	WASHER		1
503 52 94-01	FLYWHEEL ASSY		1
503 71 79-01	STOP SWITCH		1
503 90 12-01	ELECTRONIC MODULE		1

L *compl 503 54 16-01



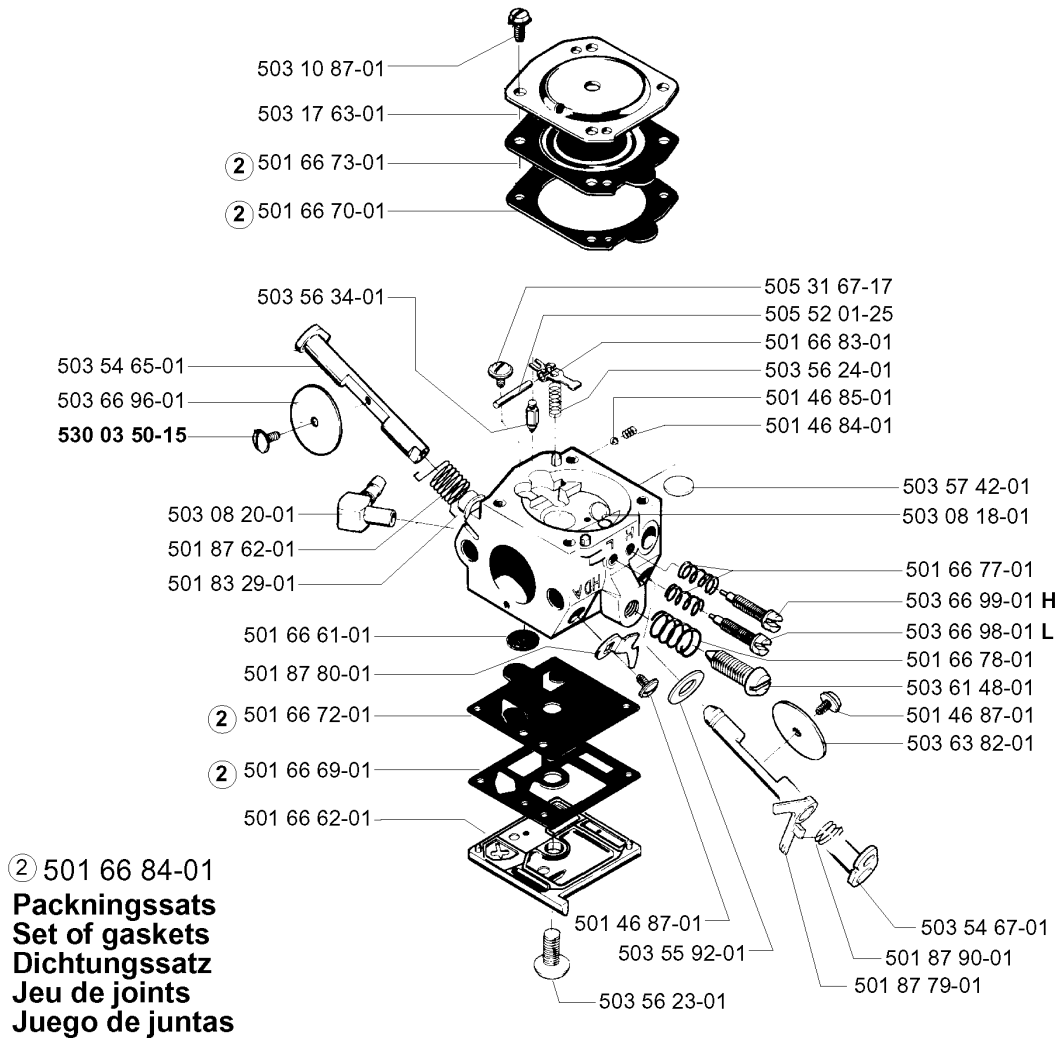
STARTER

257, 20013500001-Current

Part No	Description	Remark	QTY KIT
501 63 02-03	RECOIL SPRING		1
501 63 06-01	SLEEVE		1
503 17 89-02	STARTER PULLEY ASSY		1
503 20 34-16	SCREW CCRPANMO		1
503 21 27-16	SCREW CRPANT		1
503 21 29-10	SCREW CCRPANT		1
503 23 00-35	WASHER		1
503 52 77-01	WINTER COVER ASSY	WINTER	1
503 54 16-01	STARTER		1
503 54 17-01	STARTER		1
503 54 39-01	STARTER HANDLE		1
503 54 45-01	GUARD RING		1
503 61 98-09	DECAL		1
505 30 51-25	STARTER CORD		1

M compl 503 28 16-05

Walbro HDA-120



CARBURETOR DETAILS

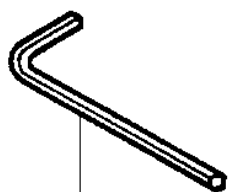
257, 20013500001-Current

Part No	Description	Remark	QTY KIT
501 46 84-01	SPRING		1
501 46 85-01	BALL		1
501 46 87-01	SCREW		1
501 46 87-01	SCREW		1
501 66 61-01	SCREEN		1
501 66 62-01	COVER		1
501 66 69-01	GASKET	501 66 84-01 SET OF GASKETS	1
501 66 70-01	GASKET	501 66 84-01 SET OF GASKETS	1
501 66 72-01	DIAPHRAGM	501 66 84-01 SET OF GASKETS	1
501 66 73-01	DIAPHRAGM	501 66 84-01 SET OF GASKETS	1
501 66 77-01	SPRING		1
501 66 78-01	SPRING		1
501 66 83-01	LEVER		1
501 83 29-01	BUSHING		1
501 87 62-01	SPRING		1
501 87 79-01	LEVER-FAST IDLE		1
501 87 80-01	STOP-THROTTLE		1
501 87 90-01	SPRING		1
503 08 18-01	PLUG		1
503 08 20-01	FITTING		1
503 10 87-01	SCREW		1
503 17 63-01	COVER		1
503 28 16-05	CARBURETTOR		1
503 54 65-01	SHAFT ASS THROTTLE		1
503 54 67-01	SHAFT ASS CHOKE		1
503 55 92-01	WASHER		1
503 56 23-01	SCREW		1
503 56 24-01	SPRING		1
503 56 34-01	NEEDLE VALVE		1
503 57 42-01	PLUG		1
503 61 48-01	SCREW		1
503 63 82-01	VALVE CHOKE		1
503 66 96-01	VALVE THROTTLE		1
503 66 98-01	NEEDLE IDLE SPEED	L	1
503 66 99-01	NEEDLE HIGH SPEED	H	1
505 31 67-17	SCREW		1
505 52 01-25	PIN		1
530 03 50-15	SCREW		1

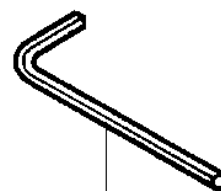
N

Tillbehör
Accessories
Zubehöre
Accessoires
Accesorios

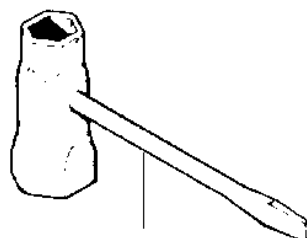
*compl 503 55 85-01



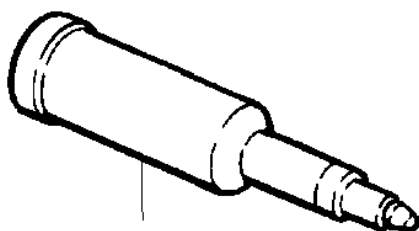
503 55 86-01 **NV4**



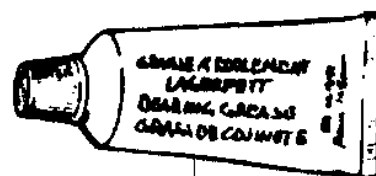
503 55 86-02 **NV5**



501 69 17-01



501 91 14-01



503 62 12-01

ACCESSORIES

257, 20013500001-Current

Part No	Description	Remark	QTY KIT
501 69 17-01	COMBINATION WRENCH		1
501 91 14-01	GREASE GUN		1
503 55 85-01	TOOL		1
503 55 86-01	SPANNER	NV4	1
503 55 86-02	SPANNER	NV5	1
503 62 12-01	GREASE		1

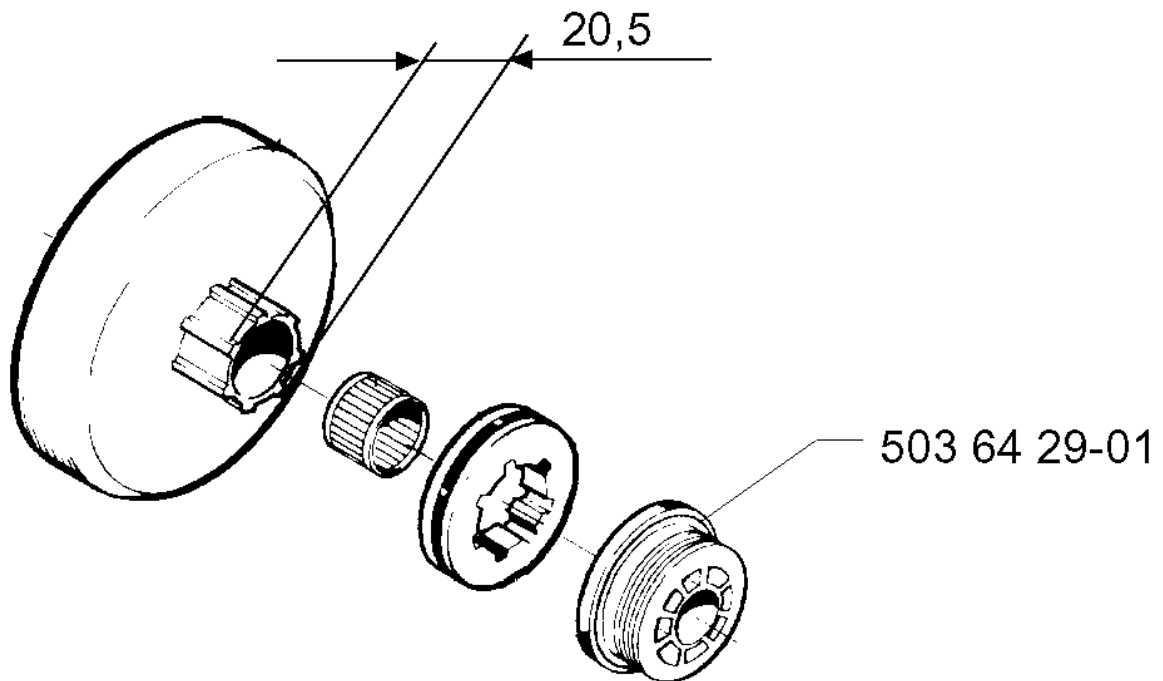
Q



≥ = Up to
Bis
A

Tot
A
T.o.m.

Serial no. ≥ 4480712
(1994)



SERVICE UPDATES

257, 20013500001-Current

Part No	Description	Remark	QTY KIT
503 64 29-01	PUMP PINION	SERIAL NO. GREATER THAN OR EQUAL TO 4480712 (1994)	1