

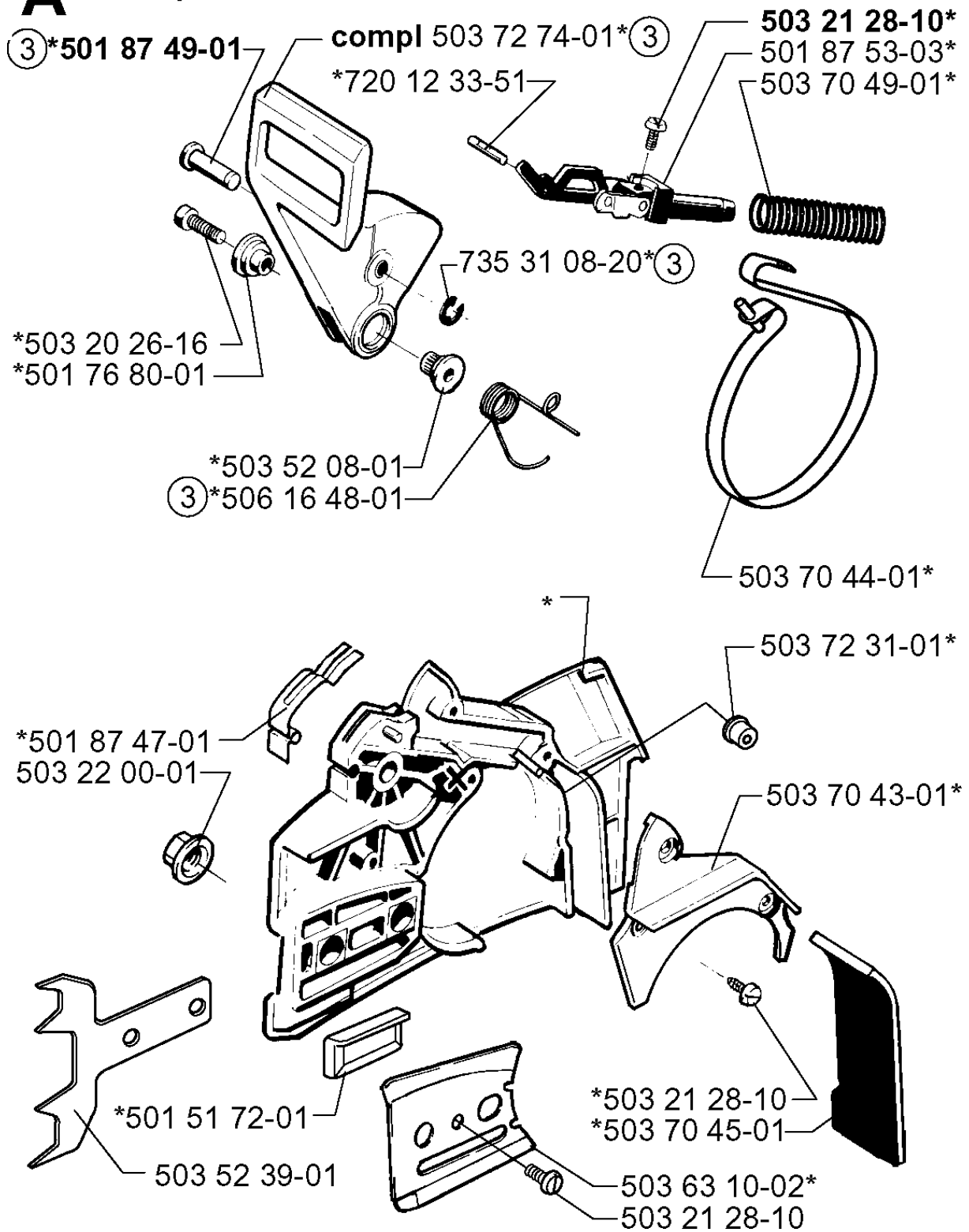


SPARE PARTS LIST

CHAIN SAWS

261 EPA, 19992300001-Current

A *compl 503 74 70-72



CHAIN BRAKE

261 EPA, 19992300001-Current

Part No	Description	Remark	QTY KIT
501 51 72-01	CHAIN GUIDE		1
501 76 80-01	SHAFT		1
501 87 47-01	SPRING		1
501 87 49-01	PIVOT PIN		1
501 87 53-03	KNEE JOINT		1
503 20 26-16	SCREW IHSCM		1
503 21 28-10	SCREW CCRPANT		1
503 21 28-10	SCREW CCRPANT		1
503 21 28-10	SCREW CCRPANT		1
503 22 00-01	HEXAGON NUT		1
503 52 08-01	SHAFT		1
503 52 39-01	SPIKE		1
503 63 10-02	CHAIN GUIDE PLATE		1
503 70 43-01	HUB CAP		1
503 70 44-01	BRAKE BAND ASSY		1
503 70 45-01	CHIP GUARD		1
503 70 49-01	BRAKE SPRING		1
503 72 31-01	BUSHING		1
503 72 74-01	HAND GUARD ASSY		1
503 74 70-72	CLUTCH COVER		1
506 16 48-01	POSITION SPRING		1
720 12 33-51	PARALLEL PIN		1
735 31 08-20	E-CLIP		1

B *compl 503 54 21-70

80 μ 503 44 72-01
44 μ 503 44 72-04
Felt 503 44 72-03

*503 54 23-01

*503 54 34-01

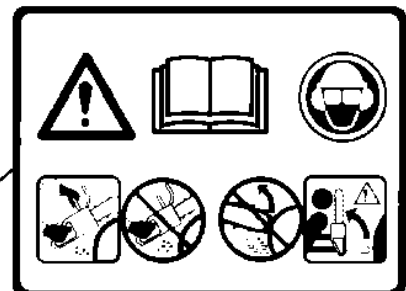
*503 20 32-28

*

503 54 35-01*

*503 52 61-01

*503 98 74-01

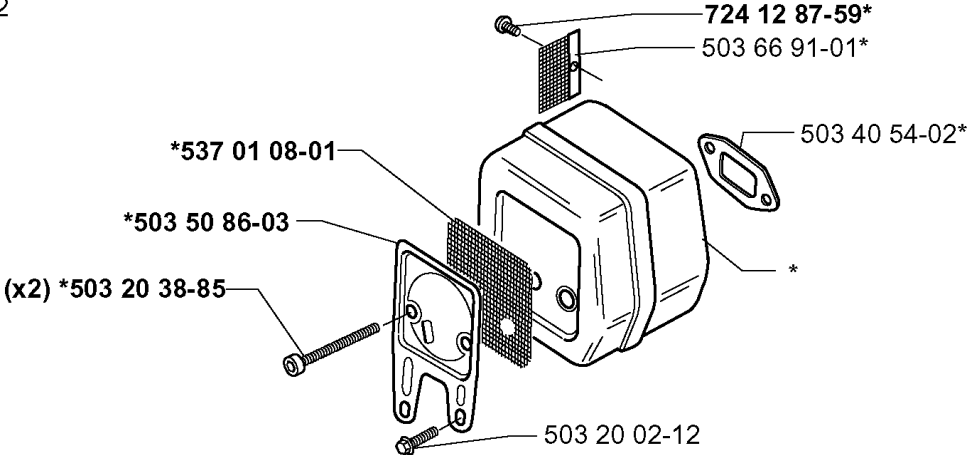


COVER

261 EPA, 19992300001-Current

Part No	Description	Remark	QTY KIT
503 20 32-28	SCREW		1
503 44 72-01	AIR FILTER		1
503 44 72-03	AIR FILTER	FELT	1
503 44 72-04	AIR FILTER		1
503 52 61-01	WINTER PLUG		1
503 54 21-70	CYLINDER COVER		1
503 54 23-01	FILTER COVER		1
503 54 34-01	SPRING		1
503 54 35-01	SPRING		1
503 98 74-01	LABEL		1

*compl 503 97 25-02

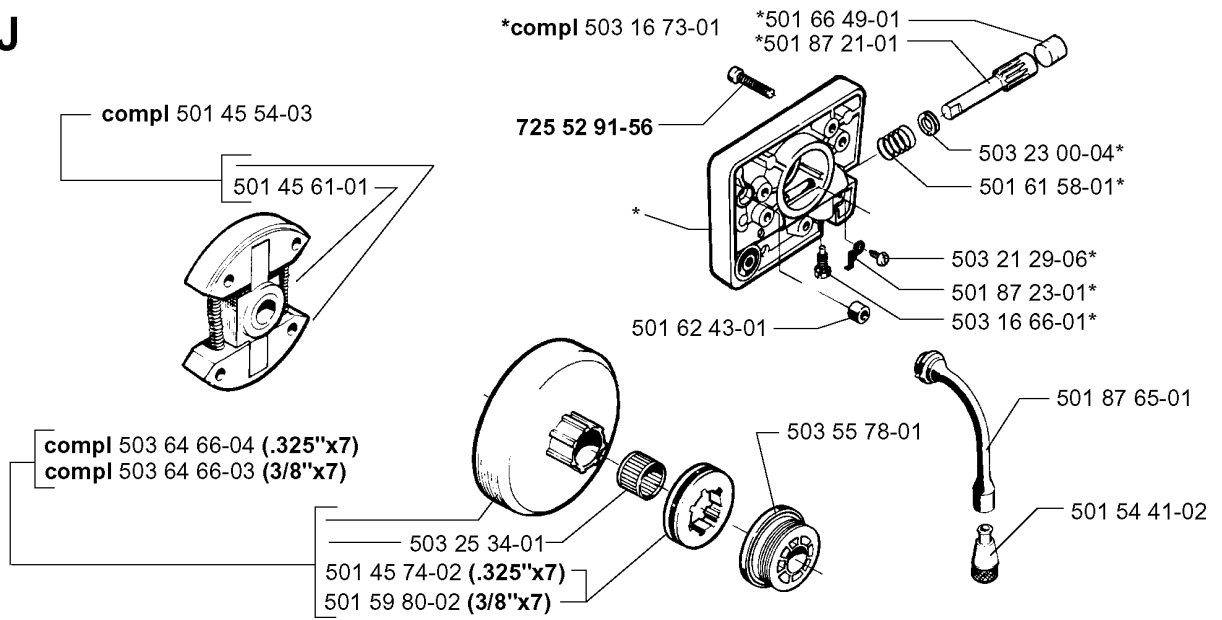


MUFFLER

261 EPA, 19992300001-Current

Ref	Part No	Description	Remark	QTY KIT
503 97 25-02	503 97 25-02	MUFFLER		1
537 01 08-01	537 01 08-01	SPARK ARRESTER SCREEN		1
503 50 86-03	503 50 86-03	BASEPLATE		1
503 20 38-85	725 53 87-55	SCREW		2
503 20 02-12	503 20 02-12	SCREW IHSCFM		1
503 40 54-02	503 40 54-02	GASKET		1
503 66 91-01	503 66 91-01	SPARK ARRESTER SCREEN		1
724 12 87-59	724 12 87-59	SCREW CRPANM		1

J

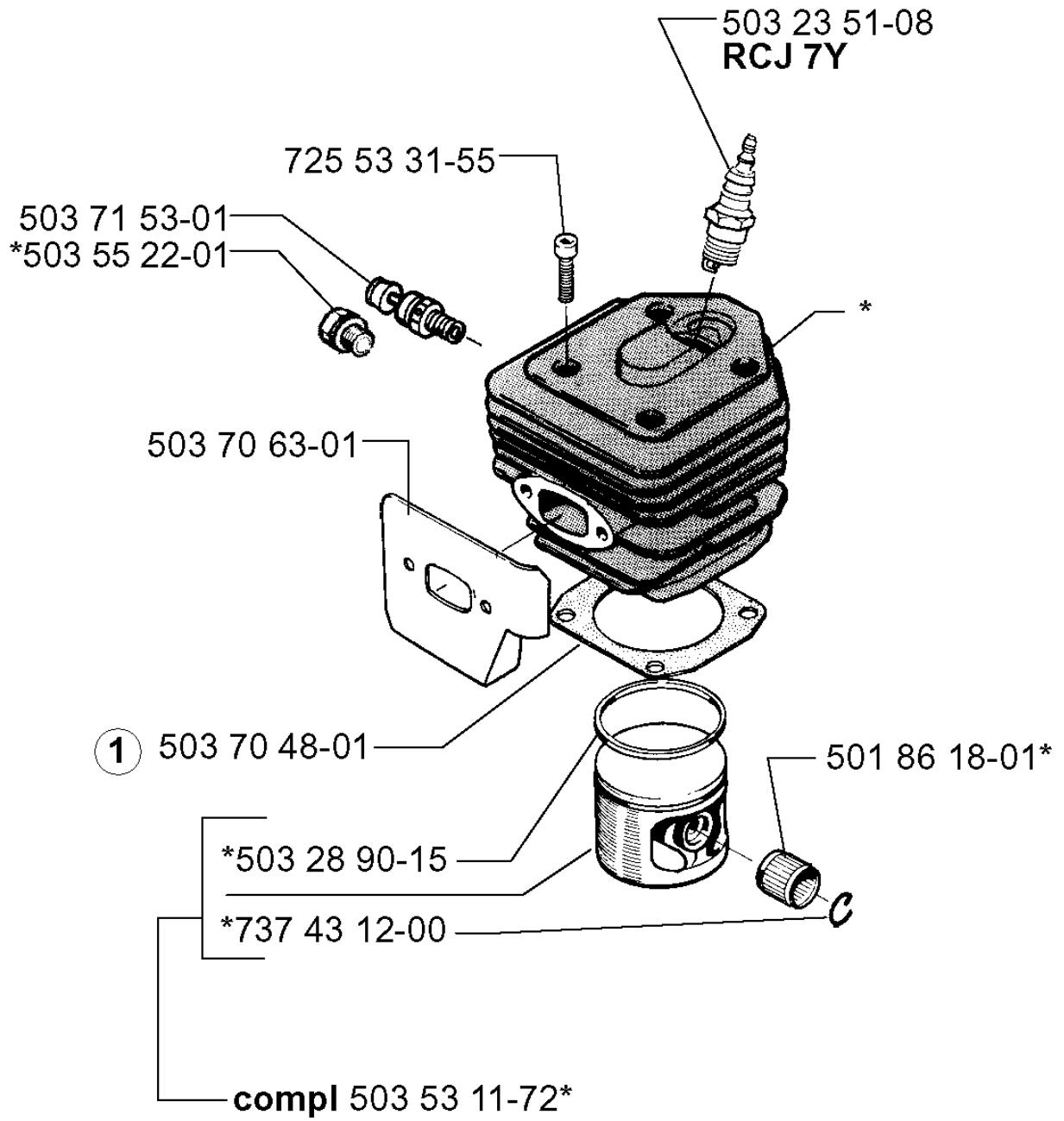


CLUTCH & OIL PUMP

261 EPA, 19992300001-Current

Part No	Description	Remark	QTY KIT
501 45 54-03	CLUTCH ASSY		1
501 45 61-01	CLUTCH SPRING		1
501 45 74-02	RIM	.325X7	1
501 54 41-02	OIL SCREEN		1
501 59 80-02	RIM	3/8X7	1
501 61 58-01	SPRING		1
501 62 43-01	SEALING RING		1
501 66 49-01	TÄTNINGSPROPP		1
501 87 21-01	PUMP PISTON		1
501 87 23-01	LOCKING SPRING		1
501 87 65-01	OIL HOSE		1
503 16 66-01	PIN SCREW		1
503 16 73-01	OIL PUMP ASSY		1
503 21 29-06	SCREW CCRPANT		1
503 23 00-04	WASHER		1
503 25 34-01	NEEDLE BEARING		1
503 55 78-01	PUMP PINION		1
503 64 66-03	CLUTCH DRUM	3/8X7	1
503 64 66-04	CLUTCH DRUM ASSY	.325X7	1
725 52 91-56	SCREW IHSCM		1

C *compl 503 90 79-72

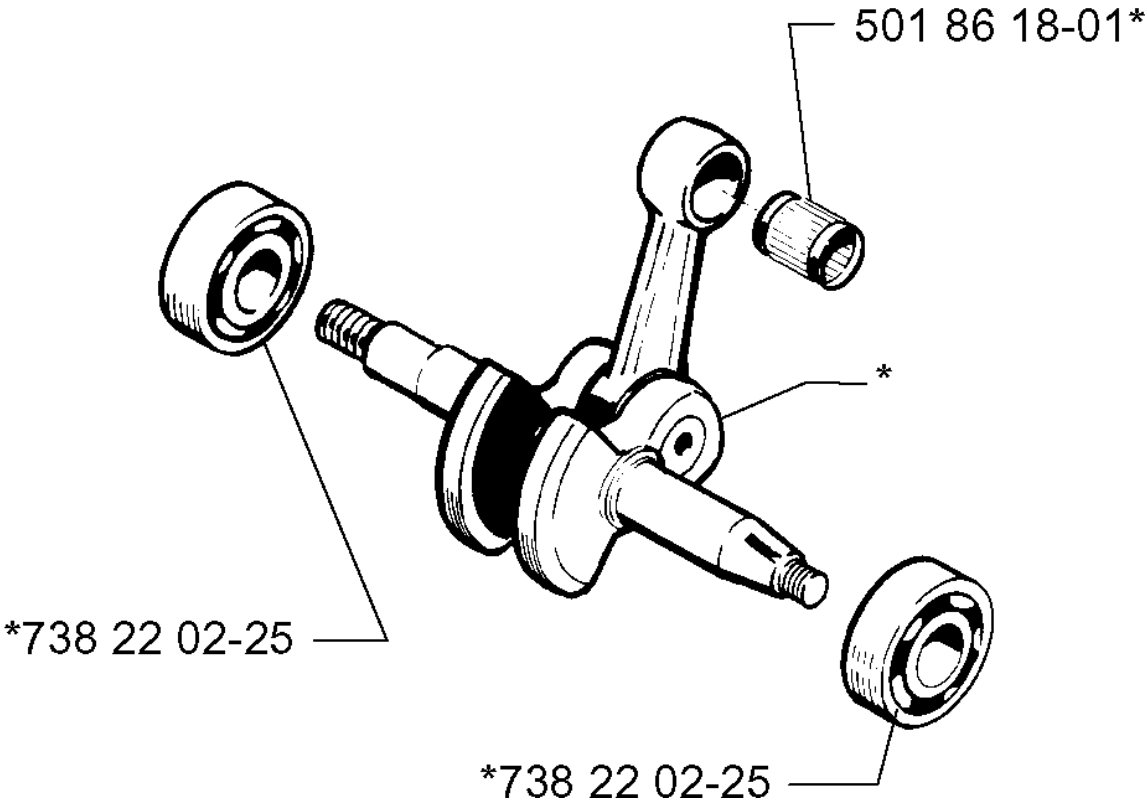


CYLINDER PISTON

261 EPA, 19992300001-Current

Part No	Description	Remark	QTY KIT
501 86 18-01	NEEDLE BEARING		1
503 23 51-08	SPARK PLUG	RCJ 7Y	1
503 28 90-15	PISTON RING		1
503 53 11-72	PISTON ASSY		1
503 55 22-01	PLUG		1
503 70 48-01	GASKET		1
503 70 63-01	HEAT DEFLECTOR		1
503 71 53-01	DECOMPRESSION VALVE		1
503 90 79-72	CYLINDER ASSY		1
725 53 31-55	SCREW IHSCM		1
737 43 12-00	SNAP RING		1

G *compl 506 18 19-72



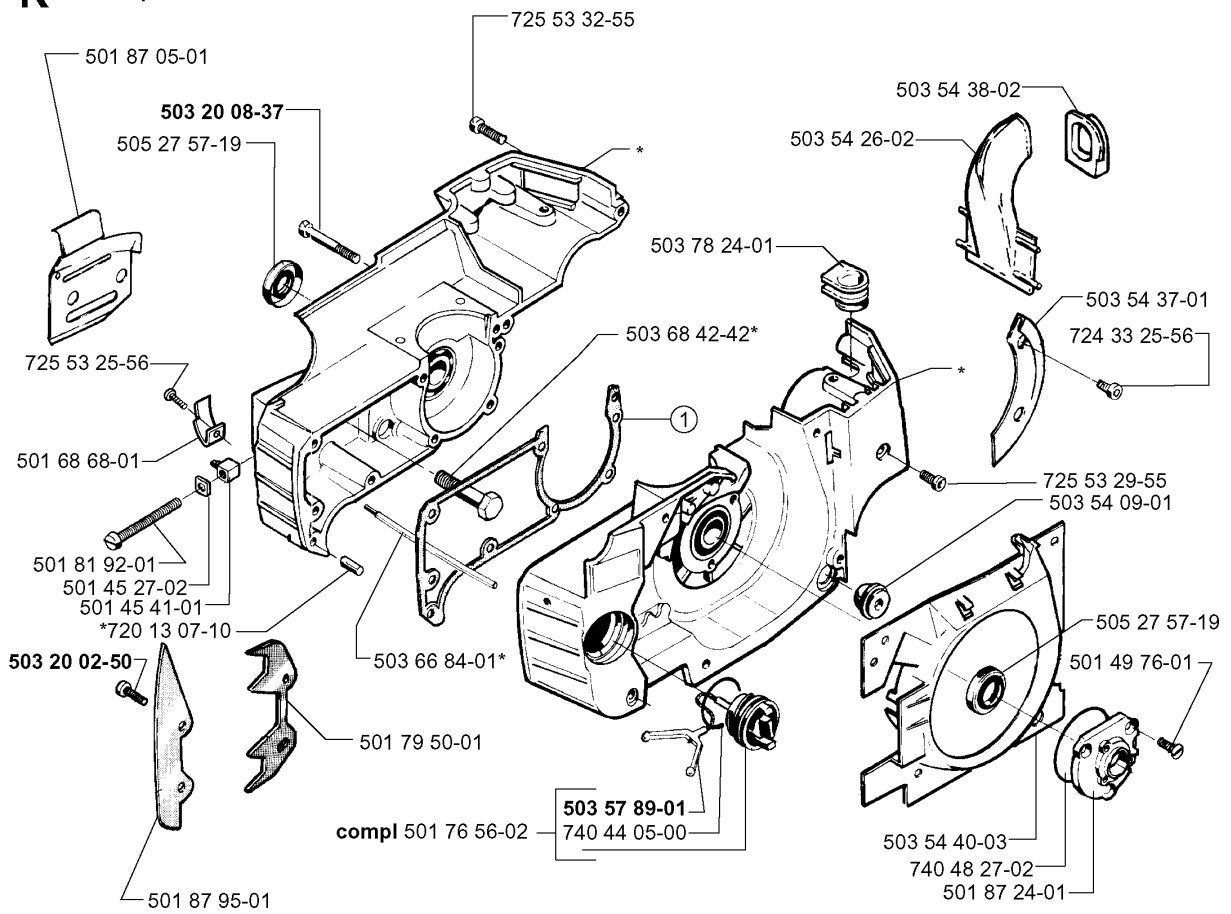
CRANKSHAFT

261 EPA, 19992300001-Current

Part No	Description	Remark	QTY KIT
501 86 18-01	NEEDLE BEARING		1
506 18 19-72	CRANKSHAFT ASSY		1
738 22 02-25	BALL BEARING		1
738 22 02-25	BALL BEARING		1

K

*compl 501 86 00-04

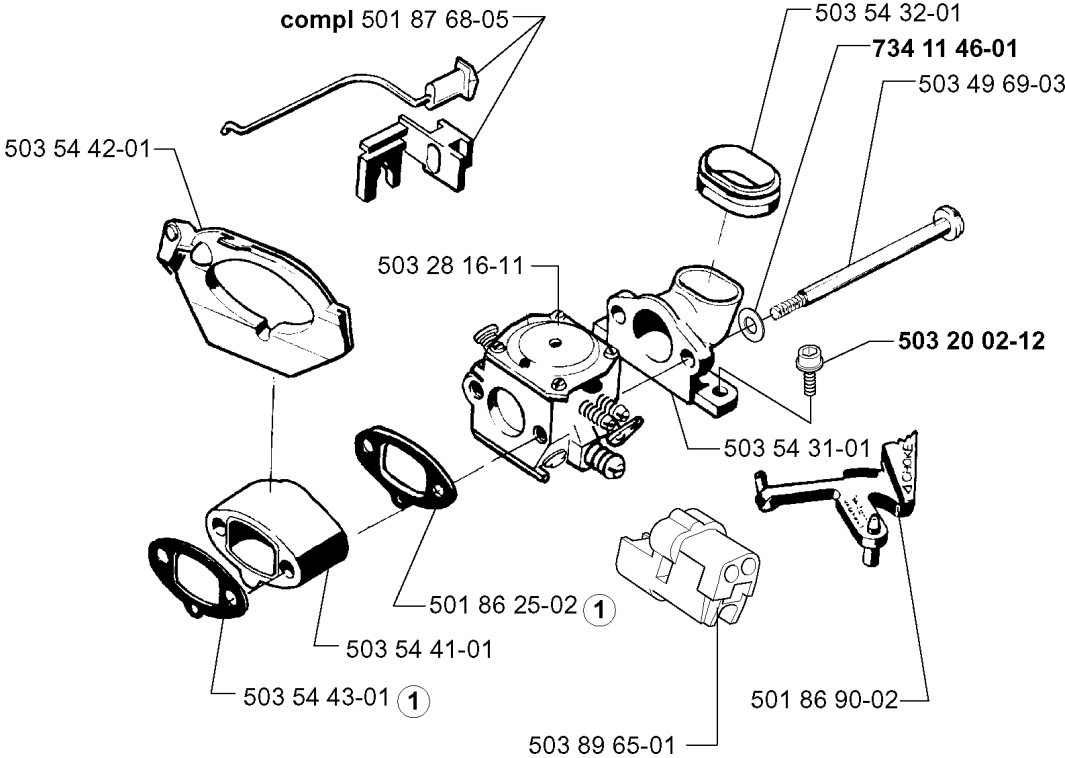


CRANKCASE

261 EPA, 19992300001-Current

Part No	Description	Remark	QTY KIT
501 45 27-02	LOCK NUT		1
501 45 41-01	NUT		1
501 49 76-01	SCREW		1
501 68 68-01	CHAIN CATCHER		1
501 76 56-02	TANK CAP ASSY		1
501 79 50-01	SPIKE		1
501 81 92-01	SCREW		1
501 86 00-04	CRANKCASE ASSY		1
501 87 05-01	CHAIN GUIDE PLATE		1
501 87 24-01	HOLDER		1
501 87 95-01	SPIKE		1
503 20 02-50	SCREW IHSCFM		1
503 20 08-37	SCREW IHSCM		1
503 54 09-01	BUFFER		1
503 54 26-02	AIR NOZZLE		1
503 54 37-01	AIR CONDUCTOR		1
503 54 38-02	GROMMET		1
503 54 40-03	AIR CONDUCTOR		1
503 57 89-01	HOLDER		1
503 66 84-01	TANK VENT ASSY		1
503 68 42-42	BAR BOLT		1
503 78 24-01	GROMMET		1
505 27 57-19	SEALING RING		1
505 27 57-19	SEALING RING		1
720 13 07-10	PARALLEL PIN		1
724 33 25-56	SCREW CRCSFM		1
725 53 25-56	SCREW IHSCM		1
725 53 29-55	SCREW IHSCM		1
725 53 32-55	SCREW		1
740 44 05-00	O-RING		1
740 48 27-02	O-RING		1

D

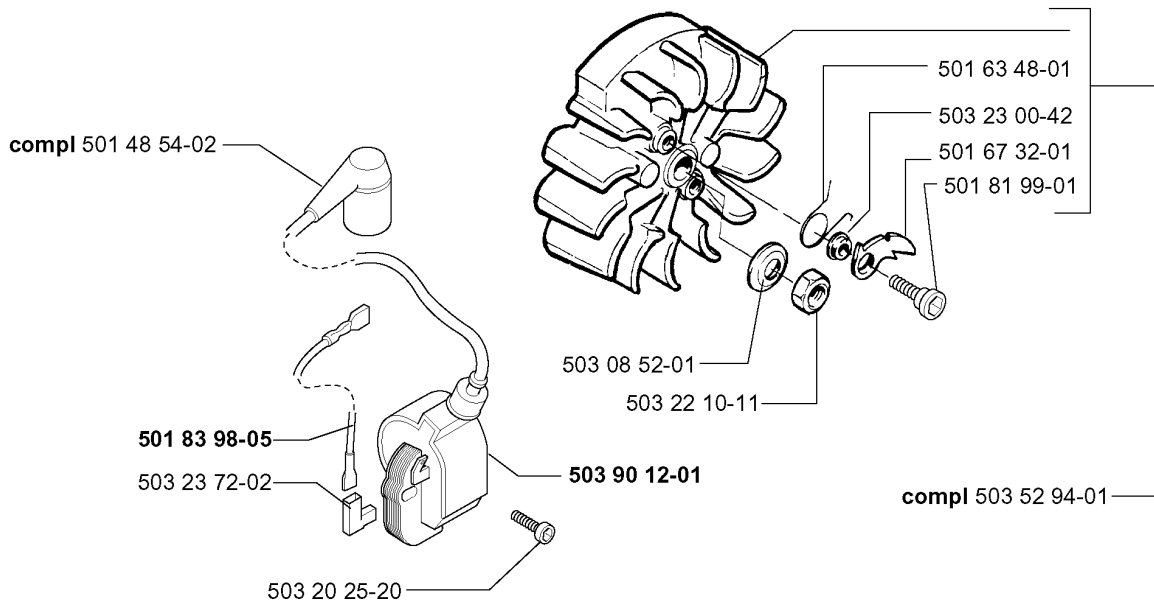
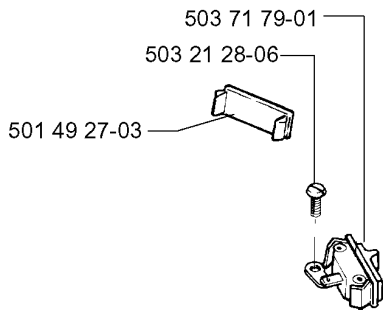


CARBURETOR

261 EPA, 19992300001-Current

Part No	Description	Remark	QTY KIT
501 86 25-02	GASKET		1
501 86 90-02	CHOKE CONTROL		1
501 87 68-05	THROTTLE WIRE		1
503 20 02-12	SCREW IHSCFM		1
503 28 16-11	CARBURETTOR		1
503 49 69-03	SCREW CARBURETTOR		1
503 54 31-01	FILTER HOLDER		1
503 54 32-01	SEALING		1
503 54 41-01	MANIFOLD		1
503 54 42-01	SEALING COLLAR		1
503 54 43-01	GASKET		1
503 89 65-01	GUIDE BUSHING		1
734 11 46-01	WASHER		1

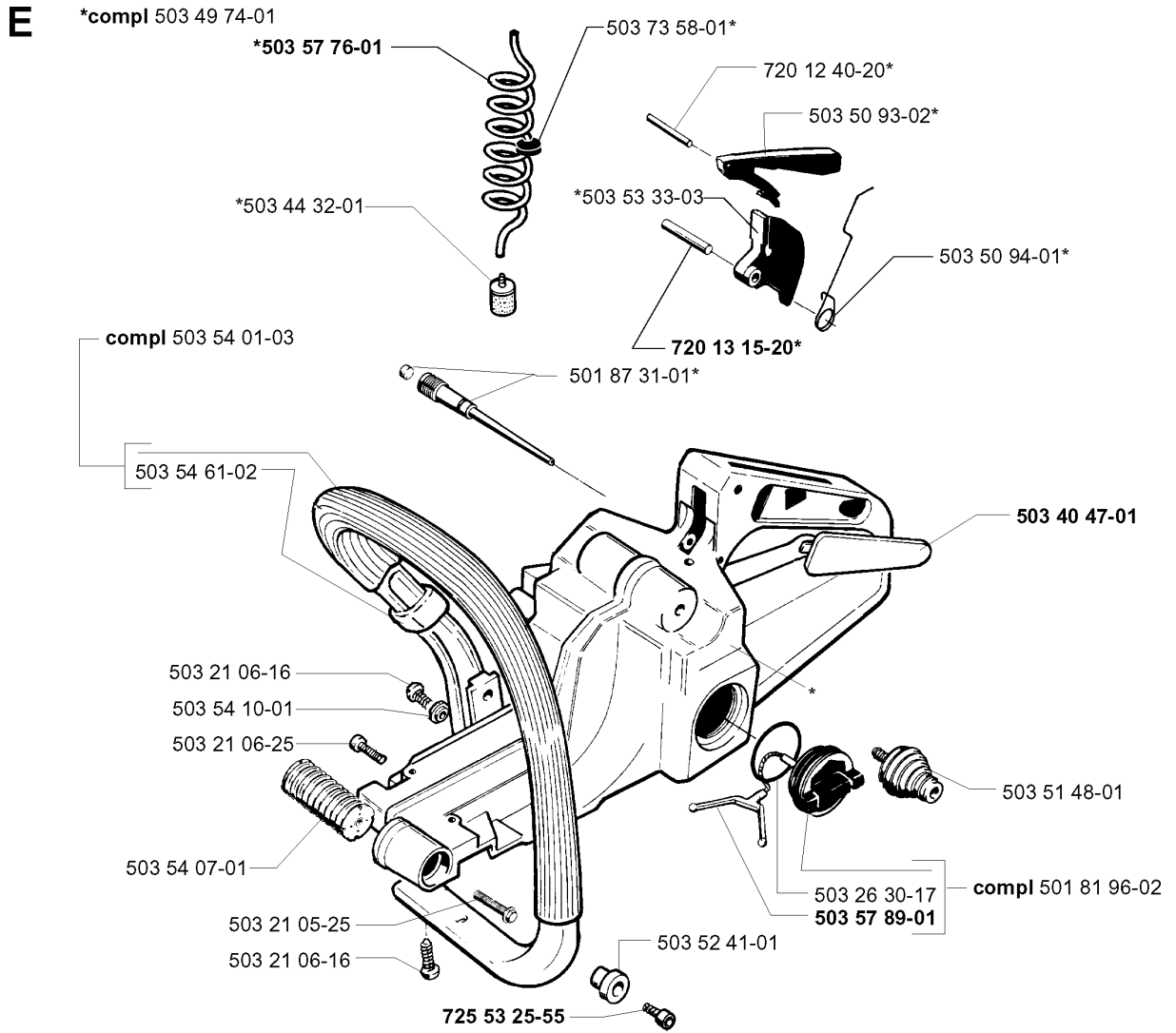
H



ELECTRICAL

261 EPA, 19992300001-Current

Part No	Description	Remark	QTY KIT
501 48 54-02	SPARK PLUG CAP		1
501 49 27-03	COVER		1
501 63 48-01	SPRING		1
501 67 32-01	PAWL		1
501 81 99-01	SCREW		1
501 83 98-05	CABLE		1
503 08 52-01	WASHER		1
503 20 25-20	SCREW IHSCM		1
503 21 28-06	SCREW CCRPANT		1
503 22 10-11	HEXAGON NUT		1
503 23 00-42	WASHER		1
503 23 72-02	INSULATING CAP		1
503 52 94-01	FLYWHEEL ASSY		1
503 71 79-01	STOP SWITCH		1
503 90 12-01	ELECTRONIC MODULE		1

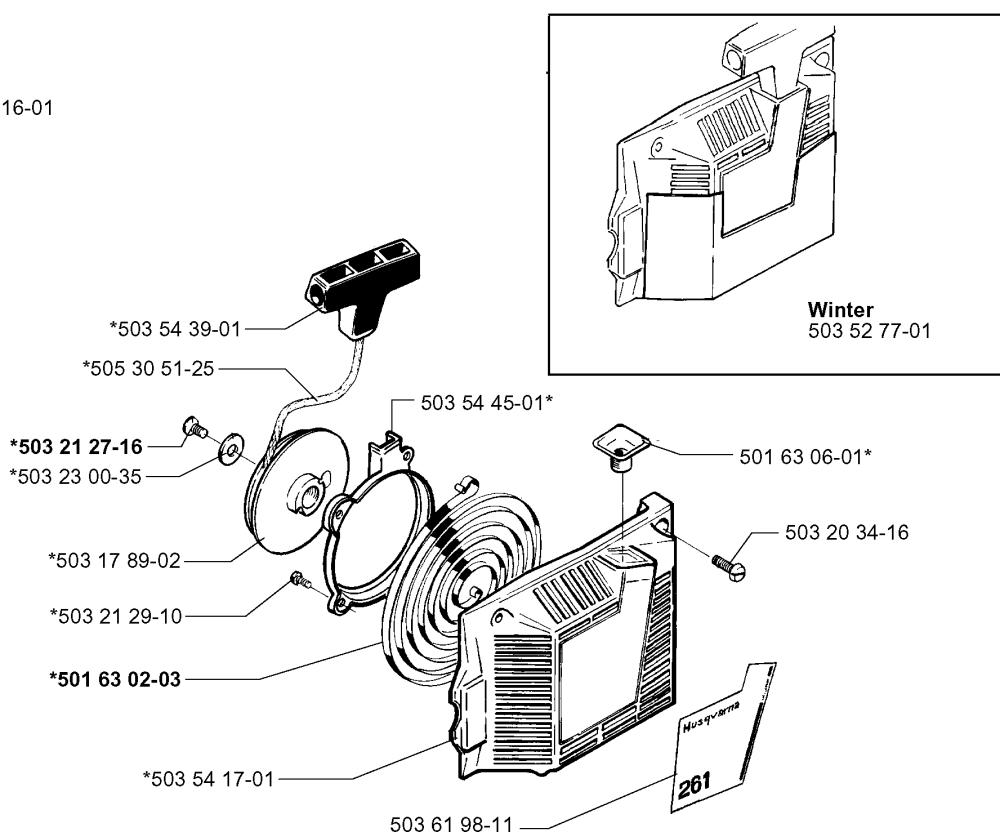


FUEL TANK & HANDLE

261 EPA, 19992300001-Current

Part No	Description	Remark	QTY KIT
501 81 96-02	TANK CAP ASSY		1
501 87 31-01	TANK VENT ASSY		1
503 21 05-25	SCREW IHSC T		1
503 21 06-16	SCREW IHSC T		1
503 21 06-16	SCREW IHSC T		1
503 21 06-25	SCREW IHSC FT		1
503 26 30-17	O-RING		1
503 40 47-01	HANDLE INSERT		1
503 44 32-01	FUEL FILTER		1
503 49 74-01	TANK UNIT ASSY		1
503 50 93-02	THROTTLE LOCKOUT		1
503 50 94-01	RECOIL SPRING		1
503 51 48-01	ANTIVIBRATION ELEMENT		1
503 52 41-01	ANTIVIBRATION ELEMENT		1
503 53 33-03	THROTTLE LEVER ASSY		1
503 54 01-03	FRONT HANDLE		1
503 54 07-01	ANTIVIBRATION ELEMENT		1
503 54 10-01	MOVEMENT LIMITER		1
503 54 61-02	LATERAL SUPPORT		1
503 57 76-01	FUEL HOSE		1
503 57 89-01	HOLDER		1
503 73 58-01	BUSHING		1
720 12 40-20	PARALLEL PIN		1
720 13 15-20	PARALLEL PIN		1
725 53 25-55	SCREW IHSC M		1

L *compl 503 54 16-01



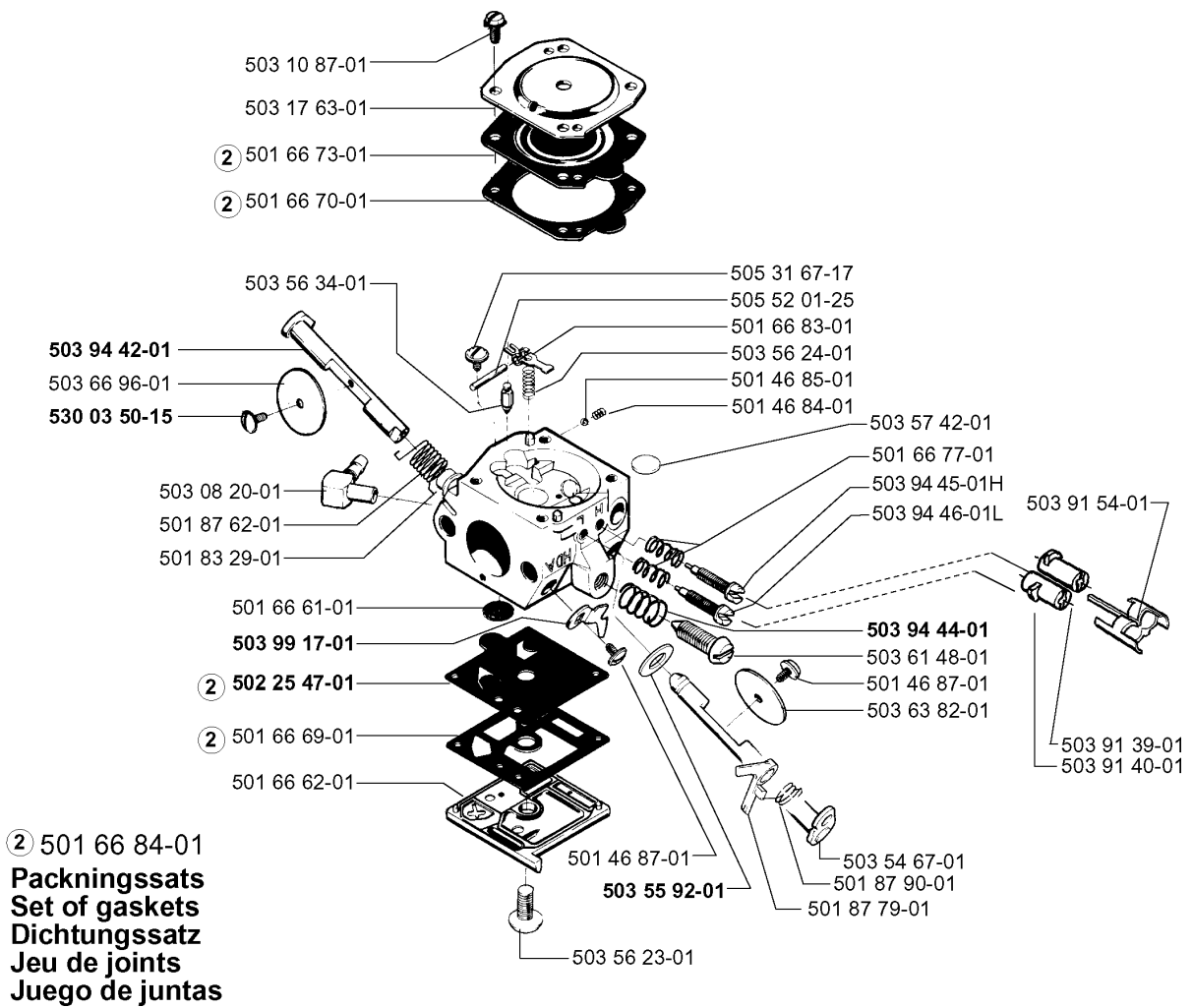
STARTER

261 EPA, 19992300001-Current

Part No	Description	Remark	QTY KIT
501 63 02-03	RECOIL SPRING		1
501 63 06-01	SLEEVE		1
503 17 89-02	STARTER PULLEY ASSY		1
503 20 34-16	SCREW CCRPANMO		1
503 21 27-16	SCREW CRPANT		1
503 21 29-10	SCREW CCRPANT		1
503 23 00-35	WASHER		1
503 52 77-01	WINTER COVER ASSY	WINTER	1
503 54 16-01	STARTER		1
503 54 17-01	STARTER		1
503 54 39-01	STARTER HANDLE		1
503 54 45-01	GUARD RING		1
503 61 98-11	LABEL		1
505 30 51-25	STARTER CORD		1

M compl 503 28 16-11

Walbro HDA-144A



CARBURETOR DETAILS

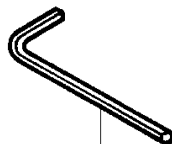
261 EPA, 19992300001-Current

Part No	Description	Remark	QTY KIT
501 46 84-01	SPRING		1
501 46 85-01	BALL		1
501 46 87-01	SCREW		1
501 46 87-01	SCREW		1
501 66 61-01	SCREEN		1
501 66 62-01	COVER		1
501 66 69-01	GASKET	501 66 84-01 SET OF GASKETS	1
501 66 70-01	GASKET	501 66 84-01 SET OF GASKETS	1
501 66 73-01	DIAPHRAGM	501 66 84-01 SET OF GASKETS	1
501 66 77-01	SPRING		1
501 66 83-01	LEVER		1
501 83 29-01	BUSHING		1
501 87 62-01	SPRING		1
501 87 79-01	LEVER-FAST IDLE		1
501 87 90-01	SPRING		1
502 25 47-01	DIAPHRAGM PUMP	501 66 84-01 SET OF GASKETS	1
503 08 20-01	FITTING		1
503 10 87-01	SCREW		1
503 17 63-01	COVER		1
503 28 16-11	CARBURETTOR		1
503 54 67-01	SHAFT ASS CHOKE		1
503 55 92-01	WASHER		1
503 56 23-01	SCREW		1
503 56 24-01	SPRING		1
503 56 34-01	NEEDLE VALVE		1
503 57 42-01	PLUG		1
503 61 48-01	SCREW		1
503 63 82-01	VALVE CHOKE		1
503 66 96-01	VALVE THROTTLE		1
503 91 39-01	LIMITER CAP		1
503 91 40-01	LIMITER CAP		1
503 91 54-01	RETAINER		1
503 94 42-01	SHAFT ASSY		1
503 94 44-01	SPRING		1
503 94 45-01	NEEDLE	H	1
503 94 46-01	NEEDLE	L	1
503 99 17-01	LEVER		1
505 31 67-17	SCREW		1
505 52 01-25	PIN		1
530 03 50-15	SCREW		1

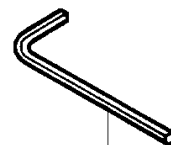
N

*compl 503 55 85-01

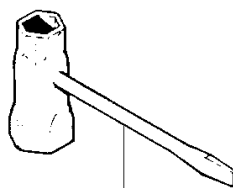
**Tillbehör
Accessories
Zubehöre
Accessoires
Accesorios**



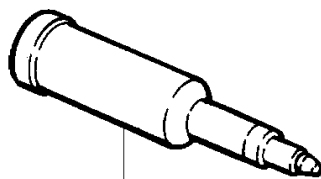
503 55 86-01 NV4



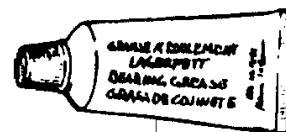
503 55 86-02 NV5



501 69 17-01



501 91 14-01



503 62 12-01

ACCESSORIES

261 EPA, 19992300001-Current

Part No	Description	Remark	QTY KIT
501 69 17-01	COMBINATION WRENCH		1
501 91 14-01	GREASE GUN		1
503 55 85-01	TOOL		1
503 55 86-01	SPANNER	NV4	1
503 55 86-02	SPANNER	NV5	1
503 62 12-01	GREASE		1