

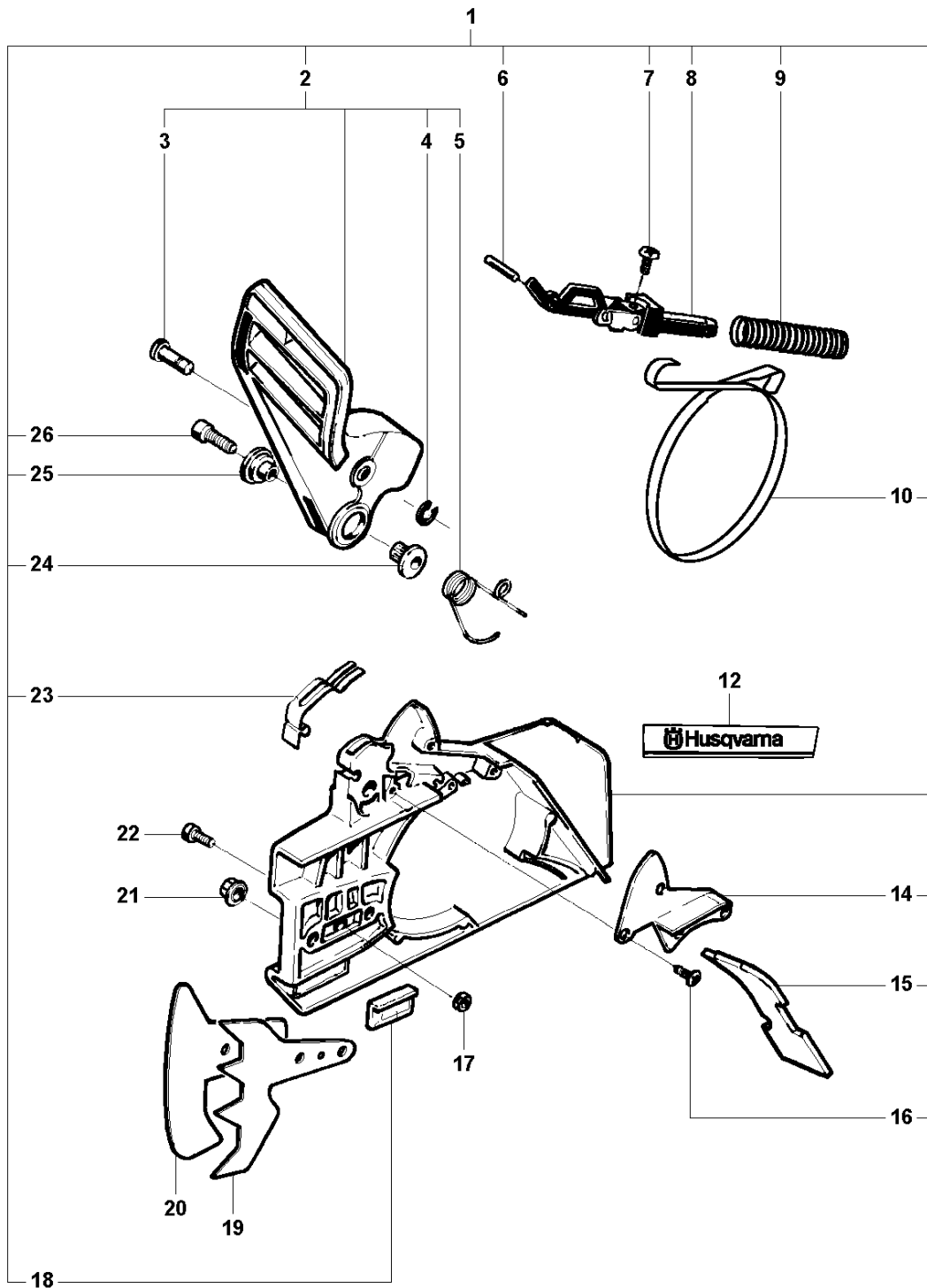


SPARE PARTS LIST

CHAIN SAWS

281 XP, 20182200001-Current

A 281
CHAIN BREAK & CLUTCH COVER

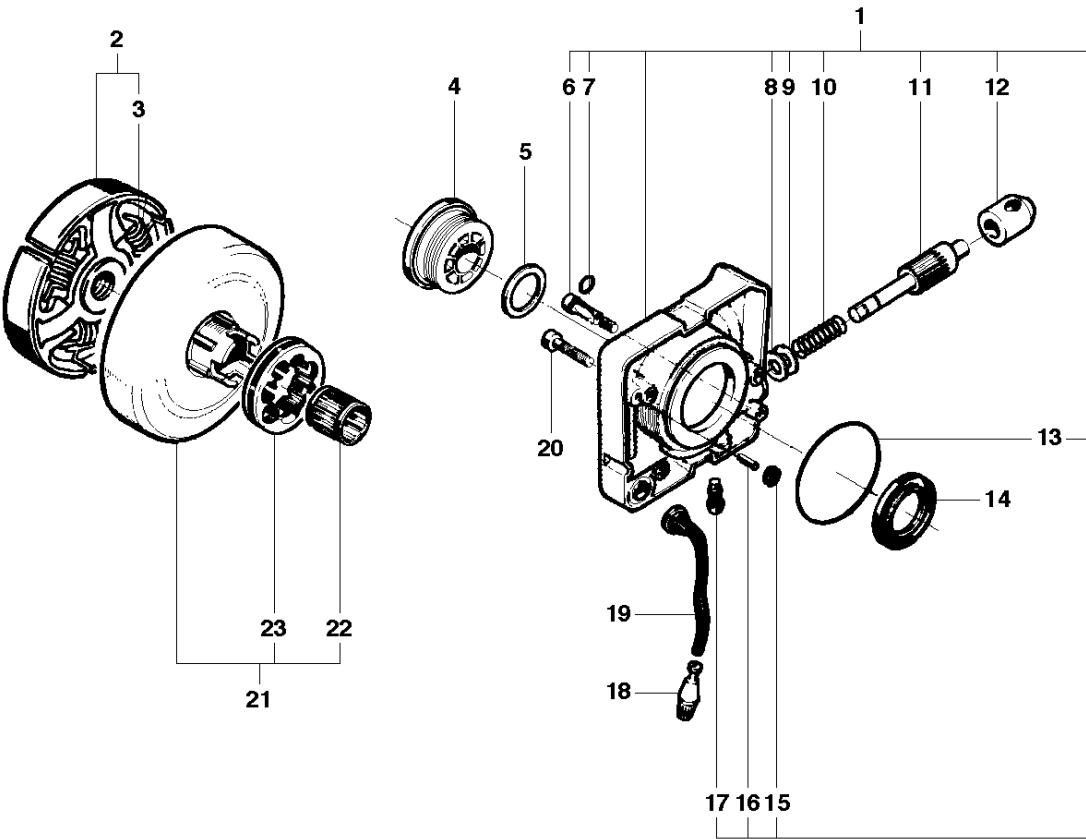


CHAIN BRAKE & CLUTCH COVER

281 XP, 20182200001-Current

| Ref | Part No | Description | Remark | QTY | KIT |
|-----|--------------|------------------|--------|-----|------|
| 1 | 503 74 67-02 | CHAIN BRAKE ASSY | | 1 | |
| 2 | 503 76 08-01 | HAND GUARD ASSY | | 1 | 1 |
| 3 | 503 80 27-01 | PIVOT PIN | | 1 | 1, 2 |
| 4 | 735 31 08-20 | E-CLIP | | 1 | 1, 2 |
| 5 | 503 57 97-01 | POSITION SPRING | | 1 | 1, 2 |
| 6 | 720 12 33-51 | PARALLEL PIN | | 1 | 1 |
| 7 | 503 21 28-10 | SCREW CCRPANT | | 1 | 1 |
| 8 | 501 87 53-01 | KNEE JOINT ASSY | | 1 | 1 |
| 9 | 503 70 99-01 | BRAKE SPRING | | 1 | 1 |
| 10 | 503 70 40-02 | BRAKE BAND ASSY | | 1 | 1 |
| 12 | 503 77 54-01 | LABEL | | 1 | |
| 14 | 503 70 39-01 | HUB CAP | | 1 | 1 |
| 15 | 503 57 37-01 | CHIP GUARD | | 1 | 1 |
| 16 | 503 21 28-10 | SCREW CCRPANT | | 4 | 1 |
| 17 | 503 22 24-01 | LOCK NUT | | 1 | |
| 18 | 501 51 72-01 | CHAIN GUIDE | | 1 | 1 |
| 19 | 501 91 84-01 | SPIKE | | 1 | |
| 20 | 503 60 13-01 | SPIKE | | 1 | |
| 21 | 503 22 00-01 | HEXAGON NUT | | 2 | |
| 22 | 725 53 27-55 | SCREW IHSCM | | 1 | |
| 23 | 501 87 47-01 | SPRING | | 1 | 1 |
| 24 | 503 52 08-01 | SHAFT | | 1 | 1 |
| 25 | 501 76 80-01 | SHAFT | | 1 | 1 |
| 26 | 503 20 26-16 | SCREW IHSCM | | 1 | 1 |

B 281
CLUTCH & OIL PUMP

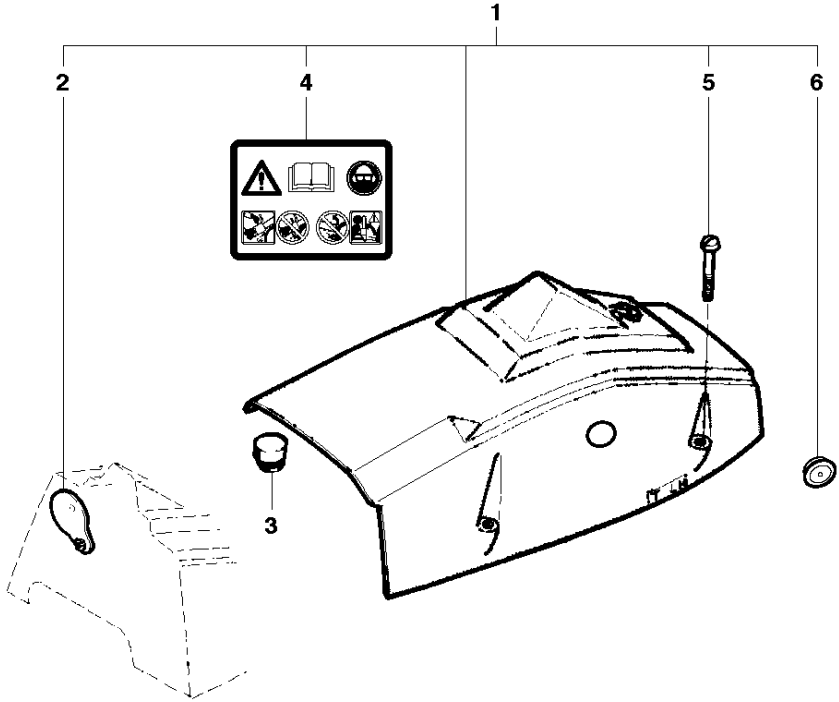


CLUTCH & OIL PUMP

281 XP, 20182200001-Current

| Ref | Part No | Description | Remark | QTY | KIT |
|-----|--------------|----------------------|----------|-----|-----|
| 1 | 503 69 81-01 | OIL PUMP ASSY | | 1 | |
| 2 | 503 70 15-02 | CLUTCH ASSY | | 1 | |
| 3 | 503 14 51-01 | CLUTCH SPRING | | 3 | 2 |
| 4 | 503 55 75-01 | GEAR WHEEL | | 1 | |
| 5 | 503 23 00-58 | WASHER | | 1 | |
| 6 | 501 29 38-01 | ADJUSTMENT SCREW | | 1 | 1 |
| 7 | 740 42 01-00 | O-RING | | 1 | 1 |
| 8 | 503 23 10-02 | WASHER | | 1 | 1 |
| 9 | 503 23 00-19 | WASHER | | 1 | 1 |
| 10 | 501 54 48-01 | SPRING | | 1 | 1 |
| 11 | 503 69 82-01 | PUMP PISTON | | 1 | 1 |
| 12 | 501 29 39-02 | BUSHING | | 1 | 1 |
| 13 | 740 42 24-00 | O-RING | | 1 | 1 |
| 14 | 503 26 02-05 | SEALING RING | | 1 | |
| 15 | 501 28 85-01 | SEAL | | 1 | 1 |
| 16 | 721 42 03-25 | PINNE FRP-LS3X6 OXSV | | 1 | 1 |
| 17 | 501 28 41-01 | SCREW | | 1 | 1 |
| 18 | 501 54 41-02 | OIL SCREEN | | 1 | |
| 19 | 501 51 99-01 | OIL HOSE | | 1 | |
| 20 | 725 52 95-56 | SCREW IHSCM | | 3 | |
| 21 | 503 62 59-03 | CLUTCH DRUM ASSY | "3/8"x7" | 1 | |
| 21 | 503 62 59-04 | CLUTCH DRUM ASSY | .404x7 | 1 | |
| 22 | 503 25 30-01 | NEEDLE BEARING | | 1 | 21 |
| 23 | 501 59 80-02 | RIM | "3/8"x7" | 1 | 21 |
| 23 | 501 59 79-02 | RIM | .404x7 | 1 | 21 |

C 281
CYLINDER COVER

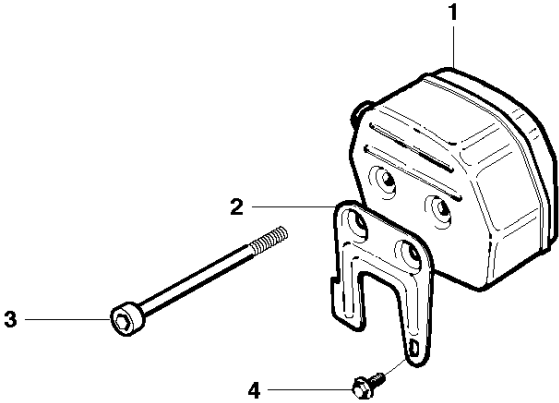


CYLINDER COVER

281 XP, 20182200001-Current

| Ref | Part No | Description | Remark | QTY | KIT |
|-----|--------------|---------------------|--------|-----|-----|
| 1 | 501 80 59-04 | CYLINDER COVER ASSY | | 1 | |
| 2 | 501 63 97-01 | COVER | | 1 | 1 |
| 3 | 501 51 54-01 | SUPPORT | | 1 | |
| 4 | 503 98 74-01 | LABEL | HD | 1 | 1 |
| 5 | 503 20 32-28 | SCREW | | 3 | 1 |
| 6 | 501 61 52-01 | PLUG | HD | 4 | 1 |

D 281
MUFFLER

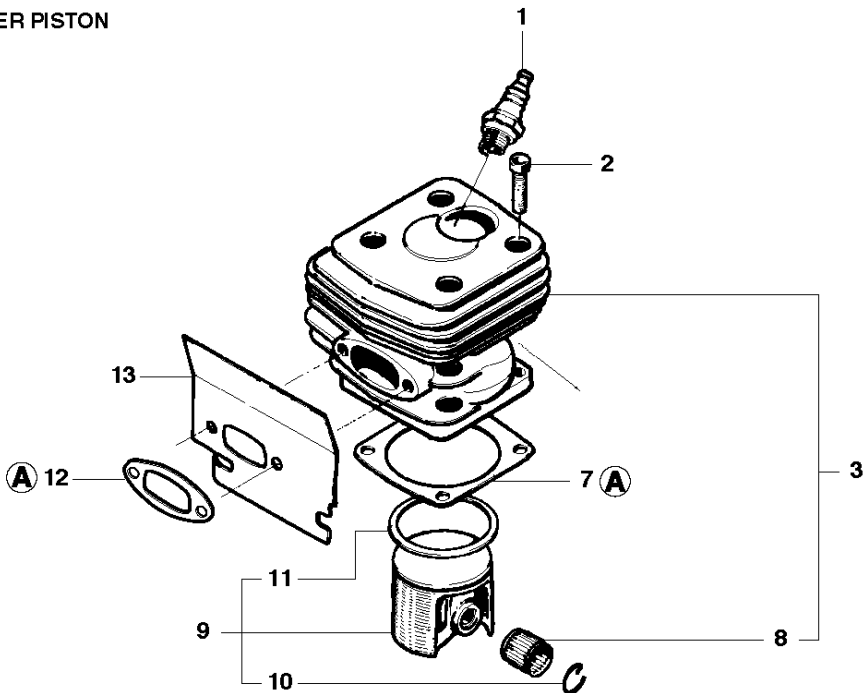


MUFFLER

281 XP, 20182200001-Current

| Ref | Part No | Description | Remark | QTY KIT |
|-----|--------------|--------------|--------|---------|
| 1 | 501 81 68-02 | MUFFLER | DJ | 1 |
| 2 | 501 81 79-01 | BRACKET | | 1 |
| 3 | 503 20 38-90 | SCREW IHSCM | | 2 |
| 4 | 503 20 02-16 | SCREW IHSCFM | | 1 |

E 281
CYLINDER PISTON



14

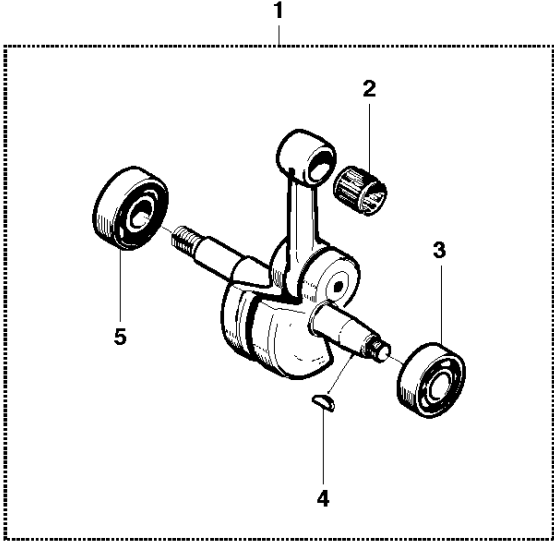
(A) 501 81 34-03
Set of gaskets

CYLINDER PISTON

281 XP, 20182200001-Current

| Ref | Part No | Description | Remark | QTY | KIT |
|-----|--------------|----------------|--------------------|-----|-----|
| 1 | 503 23 51-11 | SPARK PLUG | RCJ 6 Y | 1 | |
| 2 | 503 21 60-25 | SCREW | | 4 | |
| 3 | 544 22 30-02 | CYLINDER ASSY | | 1 | |
| 7 | 501 80 13-02 | GASKET | | 1 | 14 |
| 8 | 503 25 61-01 | NEEDLE BEARING | | 1 | 3 |
| 9 | 544 22 40-02 | PISTON ASSY | | 1 | |
| 10 | 737 44 13-00 | CIRCLIP | | 2 | 9 |
| 11 | 544 22 50-01 | PISTON RING | | 1 | 9 |
| 12 | 501 81 60-03 | GASKET | | 1 | 14 |
| 13 | 503 51 25-01 | HEAT DEFLECTOR | | 1 | |
| 14 | 501 81 34-03 | GASKET KIT | A = Set of gaskets | 1 | |

F 281
CRANKSHAFT

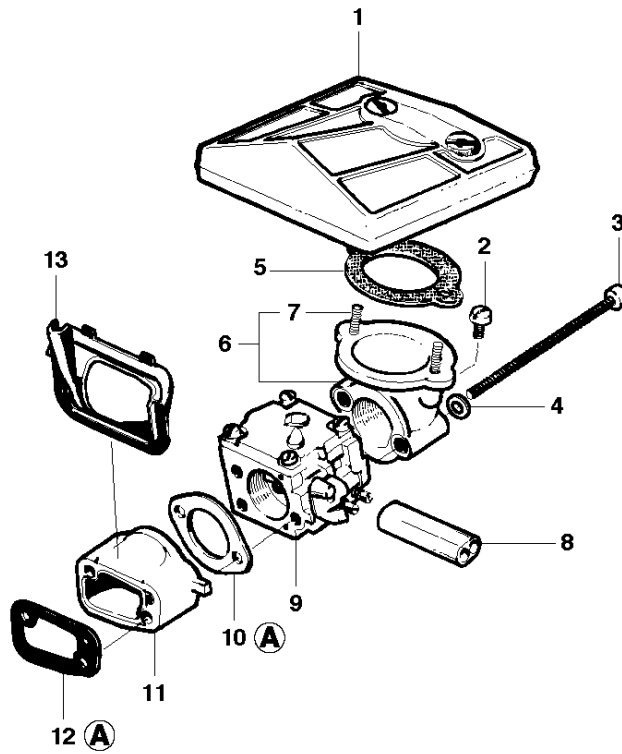


CRANKSHAFT

281 XP, 20182200001-Current

| Ref | Part No | Description | Remark | QTY | KIT |
|-----|--------------|-----------------|--------|-----|-----|
| 1 | 501 81 49-01 | CRANKSHAFT ASSY | | 1 | |
| 2 | 503 25 61-01 | NEEDLE BEARING | | 1 | 1 |
| 3 | 738 22 03-25 | BALL BEARING | | 1 | 1 |
| 4 | 735 88 06-00 | WOODRUFF KEY | | 1 | 1 |
| 5 | 738 22 03-25 | BALL BEARING | | 1 | 1 |

G 281
CARBURETOR & AIR FILTER



14

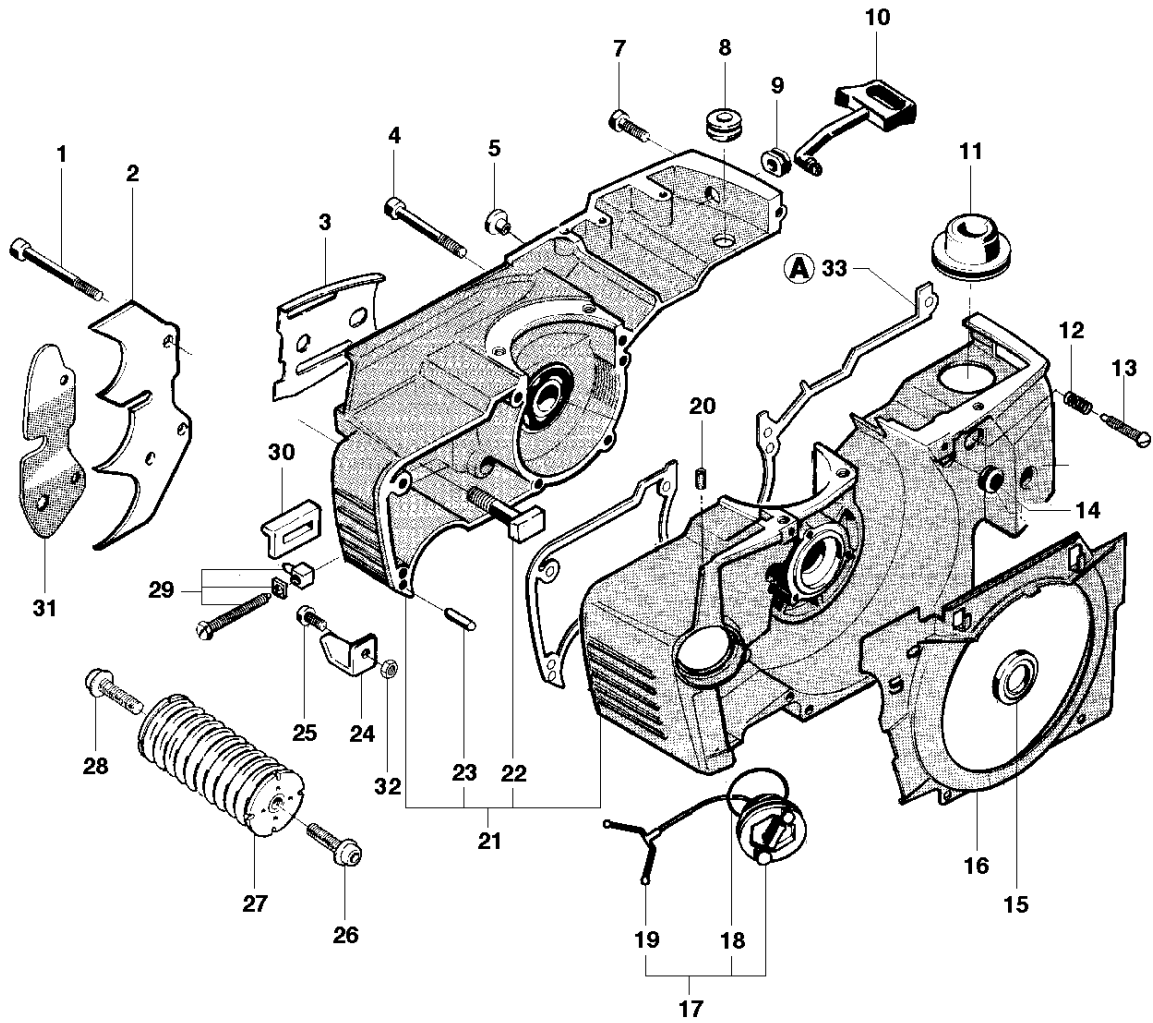
Ⓐ 501 81 34-03
Set of gaskets

CARBURETOR & AIR FILTER

281 XP, 20182200001-Current

| Ref | Part No | Description | Remark | QTY | KIT |
|-----|--------------|--------------------|--------------------|-----|-----|
| 1 | 501 80 71-01 | AIR FILTER ASSY | 80 μ | 1 | |
| 1 | 501 80 71-06 | AIR FILTER ASSY | 44 μ | 1 | |
| 1 | 501 80 71-05 | AIR FILTER ASSY | FELT | 1 | |
| 2 | 503 20 02-10 | SCREW IHSCFM | | 1 | |
| 3 | 503 20 21-91 | SCREW IHSCM | | 2 | |
| 4 | 735 11 46-50 | SPRING WASHER | | 2 | |
| 5 | 501 81 56-01 | GASKET | | 1 | |
| 6 | 501 80 62-02 | FILTER HOLDER ASSY | | 1 | |
| 7 | 503 20 80-06 | SCREW | | 2 | 6 |
| 8 | 501 80 69-01 | GUIDE BUSHING | | 1 | |
| 9 | 501 35 53-01 | CARBURETTOR | WJ 117 | 1 | |
| 10 | 501 29 64-02 | GASKET | | 1 | 14 |
| 11 | 501 80 66-02 | MANIFOLD | | 1 | |
| 12 | 501 80 68-02 | GASKET | | 1 | 14 |
| 13 | 501 81 18-01 | SEALING COLLAR | | 1 | |
| 14 | 501 81 34-03 | GASKET KIT | A = Set of gaskets | 1 | |

H 281
CRANKCASE



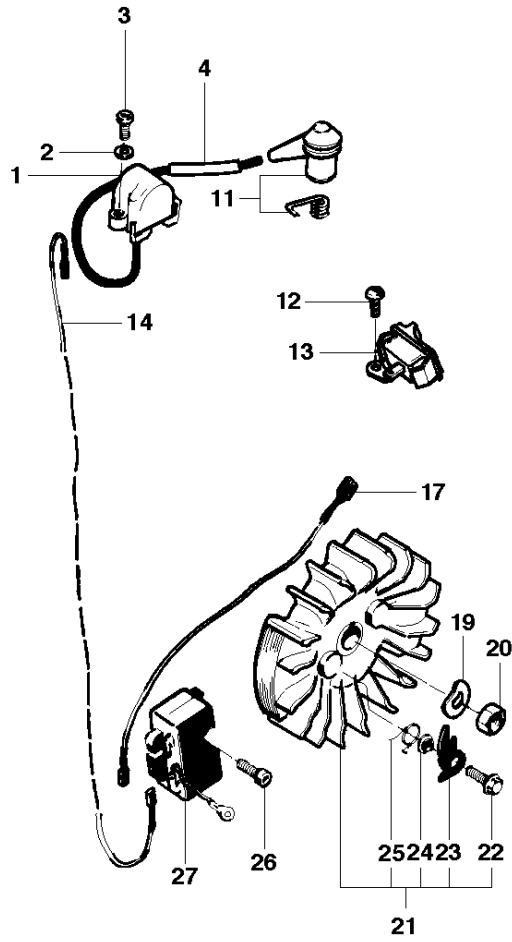
33
Ⓐ 501 81 34-03
Set of gaskets

CRANKCASE

281 XP, 20182200001-Current

| Ref | Part No | Description | Remark | QTY | KIT |
|-----|--------------|-----------------------|--------------------|-----|-----|
| 1 | 725 53 42-55 | SCREW IHSCM | | 2 | |
| 2 | 501 91 81-01 | SPIKE | | 1 | |
| 3 | 501 81 48-01 | PROTECTIVE PLATE | | 1 | |
| 4 | 725 53 37-55 | SCREW IHSCM | | 4 | |
| 5 | 503 72 31-01 | BUSHING | | 1 | |
| 7 | 725 53 29-55 | SCREW IHSCM | | 1 | |
| 8 | 503 69 76-01 | GROMMET | | 1 | |
| 9 | 501 52 78-01 | GROMMET | | 1 | |
| 10 | 501 52 79-02 | CHOKE CONTROL | | 1 | |
| 11 | 501 91 67-01 | BELLOWS | | 1 | |
| 12 | 501 29 66-01 | SPRING | | 1 | |
| 13 | 501 29 65-01 | SCREW | | 1 | |
| 14 | 501 27 13-02 | CABLE GROMMET | | 1 | |
| 15 | 503 26 02-05 | SEALING RING | | 1 | |
| 16 | 501 80 19-02 | LEDSKENA | | 1 | |
| 17 | 501 81 96-02 | TANK CAP ASSY | | 1 | |
| 18 | 503 26 30-17 | O-RING | | 1 | 17 |
| 19 | 503 57 89-01 | HOLDER | | 1 | 17 |
| 20 | 501 83 94-01 | FILTER PLUG | | 1 | |
| 21 | 501 80 03-71 | CRANKCASE | | 1 | |
| 22 | 501 81 57-01 | BAR BOLT | | 2 | 21 |
| 23 | 501 27 08-01 | GUIDE BUSHING | | 2 | 21 |
| 24 | 501 68 68-01 | CHAIN CATCHER | | 1 | |
| 25 | 725 53 29-55 | SCREW IHSCM | | 2 | |
| 26 | 503 21 05-22 | SCREW IHST | | 1 | |
| 27 | 503 49 62-01 | ANTIVIBRATION ELEMENT | | 1 | |
| 28 | 503 21 05-22 | SCREW IHST | | 1 | |
| 29 | 501 53 71-01 | CHAIN TENSIONER KIT | | 1 | |
| 30 | 501 51 72-01 | CHAIN GUIDE | | 1 | |
| 31 | 503 60 12-01 | SPIKE | | 1 | |
| 32 | 503 22 65-04 | SQUARE NUT | | 2 | |
| 33 | 501 81 34-03 | GASKET KIT | A = Set of gaskets | 1 | |

J 281
IGNITION SYSTEM

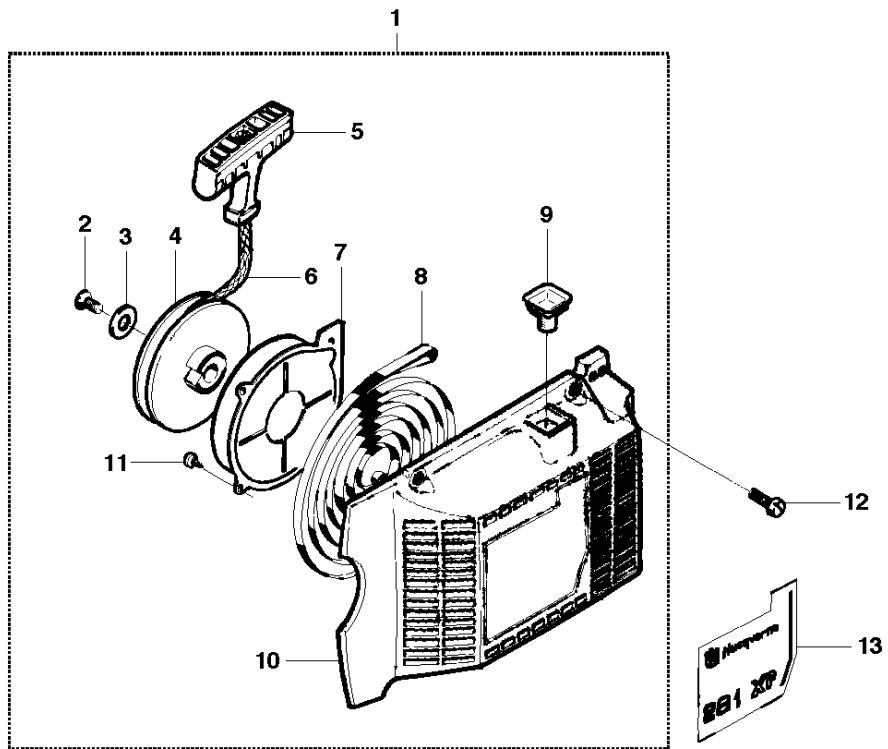


IGNITION SYSTEM

281 XP, 20182200001-Current

| Ref | Part No | Description | Remark | QTY | KIT |
|-----|--------------|----------------|--------|-----|-----|
| 1 | 501 81 28-01 | IGNITION COIL | | 1 | |
| 2 | 503 23 00-01 | WASHER | | 2 | |
| 3 | 725 52 93-56 | SCREW IHSCM | | 2 | |
| 4 | 501 52 74-01 | RUBBER HOSE | | 1 | |
| 11 | 501 48 54-02 | SPARK PLUG CAP | | 1 | |
| 12 | 503 21 28-06 | SCREW CCRPANT | | 1 | |
| 13 | 503 71 79-01 | STOP SWITCH | | 1 | |
| 14 | 501 83 97-02 | WIRE | | 1 | |
| 17 | 501 83 98-03 | CABLE | | 1 | |
| 19 | 735 11 73-50 | SPRING WASHER | | 1 | |
| 20 | 503 22 10-02 | HEXAGON NUT | | 1 | |
| 21 | 504 70 16-01 | FLYWHEEL ASSY | | 1 | |
| 22 | 501 81 99-01 | SCREW | | 2 | 21 |
| 23 | 501 67 32-01 | PAWL | | 2 | 21 |
| 24 | 503 23 00-42 | WASHER | | 2 | 21 |
| 25 | 501 67 35-01 | SPRING | | 2 | 21 |
| 26 | 725 53 29-56 | SCREW IHSCM | | 2 | |
| 27 | 501 81 27-02 | MODULE | | 1 | |

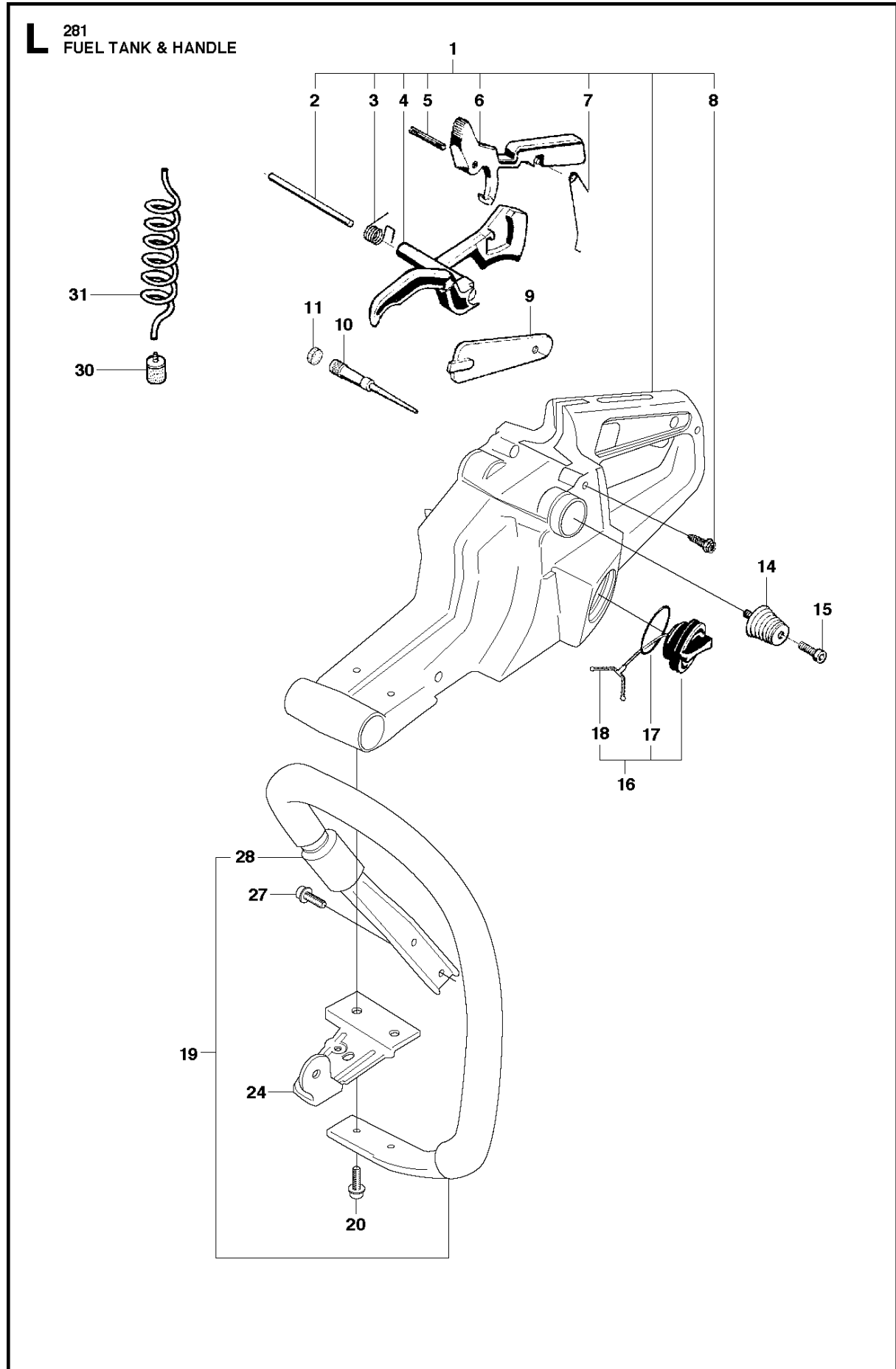
K 281
STARTER



STARTER

281 XP, 20182200001-Current

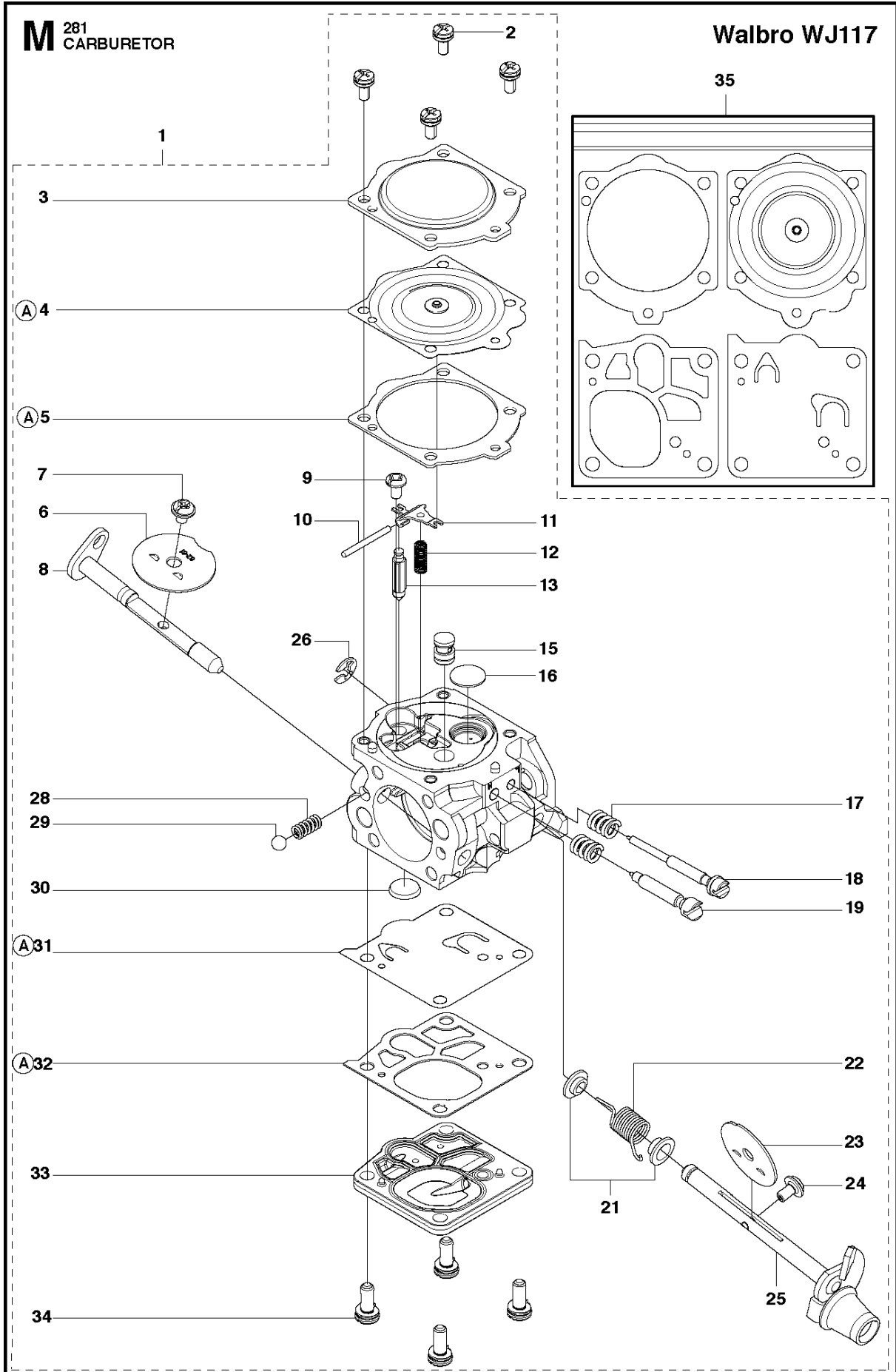
| Ref | Part No | Description | Remark | QTY | KIT |
|-----|--------------|-----------------|--------|-----|-----|
| 1 | 501 81 00-06 | STARTER ASSY | | 1 | |
| 2 | 503 20 03-12 | SCREW IHSCFM | | 1 | 1 |
| 3 | 503 23 43-02 | WASHER | | 1 | 1 |
| 4 | 503 48 48-01 | STARTER PULLEY | | 1 | 1 |
| 5 | 503 54 39-01 | STARTER HANDLE | | 1 | 1 |
| 6 | 501 20 15-02 | STARTER CORD | | 1 | 1 |
| 7 | 501 52 95-02 | GUARD RING | | 1 | 1 |
| 8 | 501 52 04-02 | RECOIL SPRING | | 1 | 1 |
| 9 | 501 63 06-01 | SLEEVE | | 1 | 1 |
| 10 | 501 81 01-05 | STARTER HOUSING | | 1 | 1 |
| 11 | 503 21 28-06 | SCREW CCRPANT | | 2 | 1 |
| 12 | 724 13 29-55 | SCREW | | 4 | |
| 13 | 503 70 98-01 | DECAL | | 1 | |



FUEL TANK & HANDLE

281 XP, 20182200001-Current

| Ref | Part No | Description | Remark | QTY | KIT |
|-----|--------------|-----------------------|--------|-----|-----|
| 1 | 501 80 91-05 | FUEL TANK | | 1 | |
| 2 | 501 51 97-01 | ROD | | 1 | 1 |
| 3 | 501 52 88-01 | RECOIL SPRING | | 1 | 1 |
| 4 | 501 91 66-02 | THROTTLE LEVER | | 1 | 1 |
| 5 | 721 42 12-26 | SPRING PIN | | 1 | 1 |
| 6 | 501 81 75-02 | THROTTLE LOCKOUT | | 1 | 1 |
| 7 | 503 78 63-01 | SPRING | | 1 | 1 |
| 8 | 503 21 06-16 | SCREW IHSC | | 1 | 1 |
| 9 | 503 48 45-01 | HANDLE INSERT | | 2 | |
| 10 | 501 87 25-01 | TANK VENT | | 1 | |
| 11 | 503 60 04-01 | FILTER PLUG | | 1 | |
| 14 | 503 51 48-01 | ANTIVIBRATION ELEMENT | | 4 | |
| 15 | 725 53 29-55 | SCREW IHSC | | 4 | |
| 16 | 501 81 96-02 | TANK CAP ASSY | | 1 | |
| 17 | 503 26 30-17 | O-RING | | 1 | 16 |
| 18 | 503 57 89-01 | HOLDER | | 1 | 16 |
| 19 | 501 80 75-05 | FRONT HANDLE ASSY | | 1 | |
| 20 | 503 21 05-22 | SCREW IHSC | | 2 | |
| 24 | 501 91 70-01 | BRACKET | | 1 | |
| 27 | 503 21 05-22 | SCREW IHSC | | 2 | |
| 28 | 501 91 89-02 | SUPPORT | | 1 | 19 |
| 30 | 503 51 71-01 | FUEL FILTER | | 1 | |
| 31 | 581 75 62-01 | FUEL HOSE | | 1 | |



CARBURETOR

281 XP, 20182200001-Current

| Ref | Part No | Description | Remark | QTY | KIT |
|-----|--------------|-------------------|----------------|-----|-------|
| 1 | 501 35 53-01 | CARBURETTOR | Walbro WJ 117 | 1 | |
| 2 | 503 58 46-01 | SCREW | | 4 | 1 |
| 3 | 505 31 67-02 | COVER | | 1 | 1 |
| 4 | 503 63 58-01 | DIAPHRAGM ASSY | | 1 | 1, 35 |
| 5 | 501 46 75-01 | GASKET | | 1 | 1, 35 |
| 6 | 505 31 67-07 | VALVE-CHOKE | | 1 | 1 |
| 7 | 544 11 15-01 | SCREW | | 1 | 1 |
| 8 | 574 87 11-01 | CHOKE SHAFT | | 1 | 1 |
| 9 | 505 31 67-17 | SCREW | | 1 | 1 |
| 10 | 505 31 67-31 | PIN | | 1 | 1 |
| 11 | 505 31 67-34 | LEVER | | 1 | 1 |
| 12 | 574 87 13-01 | SPRING | | 1 | 1 |
| 13 | 503 56 34-01 | NEEDLE VALVE | | 1 | 1 |
| 15 | 574 87 12-01 | NOZZLE ASSY | | 1 | 1 |
| 16 | 503 57 41-01 | PLUG | | 1 | 1 |
| 17 | 504 21 00-50 | SPRING | | 2 | 1 |
| 18 | 574 87 16-01 | NEEDLE | L | 1 | 1 |
| 19 | 503 48 36-01 | NEEDLE HIGH SPEED | H | 1 | 1 |
| 21 | 502 10 31-01 | BUSHING | | 2 | 1 |
| 22 | 574 87 15-01 | SPRING | | 1 | 1 |
| 23 | 503 11 68-01 | VALVE-THROTTLE | | 1 | 1 |
| 24 | 544 11 15-01 | SCREW | | 1 | 1 |
| 25 | 574 87 10-01 | THROTTLE SHAFT | | 1 | 1 |
| 26 | 505 31 67-36 | RING | | 1 | 1 |
| 28 | 503 11 77-01 | SPRING | | 1 | 1 |
| 29 | 503 11 71-01 | BALL | | 1 | 1 |
| 30 | 501 66 61-01 | SCREEN | | 1 | 1 |
| 31 | 544 89 72-01 | DIAPHRAGM PUMP | | 1 | 1, 35 |
| 32 | 503 11 72-01 | GASKET | | 1 | 1, 35 |
| 33 | 503 59 58-01 | COVER | | 1 | 1 |
| 34 | 503 11 75-01 | SCREW | | 4 | 1 |
| 35 | 502 52 92-01 | GASKET KIT | Set of Gaskets | 1 | |

N 281
ACCESSORIES

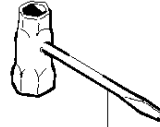
1



4



5



6

ACCESSORIES

281 XP, 20182200001-Current

| Ref | Part No | Description | Remark | QTY | KIT |
|-----|--------------|--------------------|--------|-----|-----|
| 1 | 503 55 85-01 | TOOL | | 1 | |
| 4 | 503 55 86-01 | SPANNER | NV4 | 1 | 1 |
| 5 | 503 55 86-02 | SPANNER | NV5 | 1 | 1 |
| 6 | 501 69 17-01 | COMBINATION WRENCH | | 1 | 1 |
| 7 | 501 91 14-01 | GREASE GUN | | 1 | |
| 8 | 503 62 12-01 | GREASE | | 1 | |