

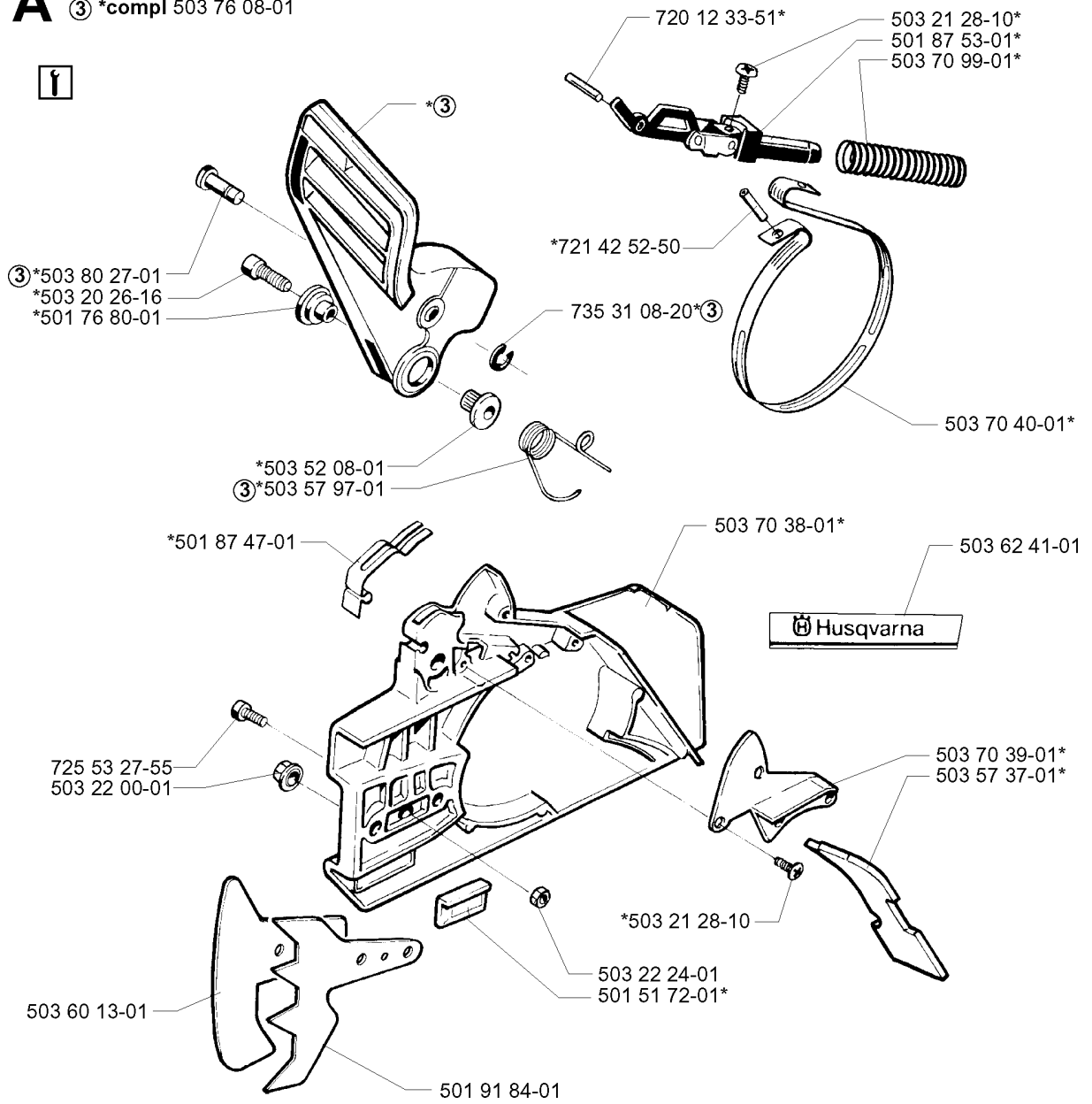


SPARE PARTS LIST

CHAIN SAWS

288, 20014000001-Current

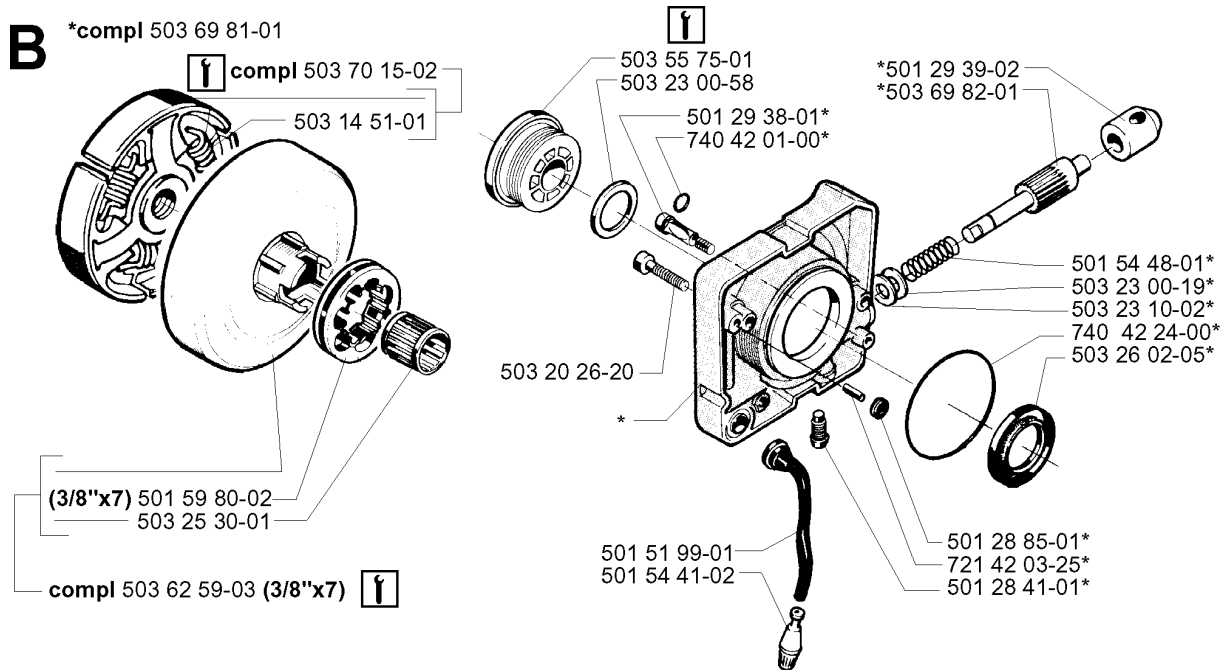
A *compl 503 74 67-02
 ③ *compl 503 76 08-01



CHAIN BRAKE

288, 20014000001-Current

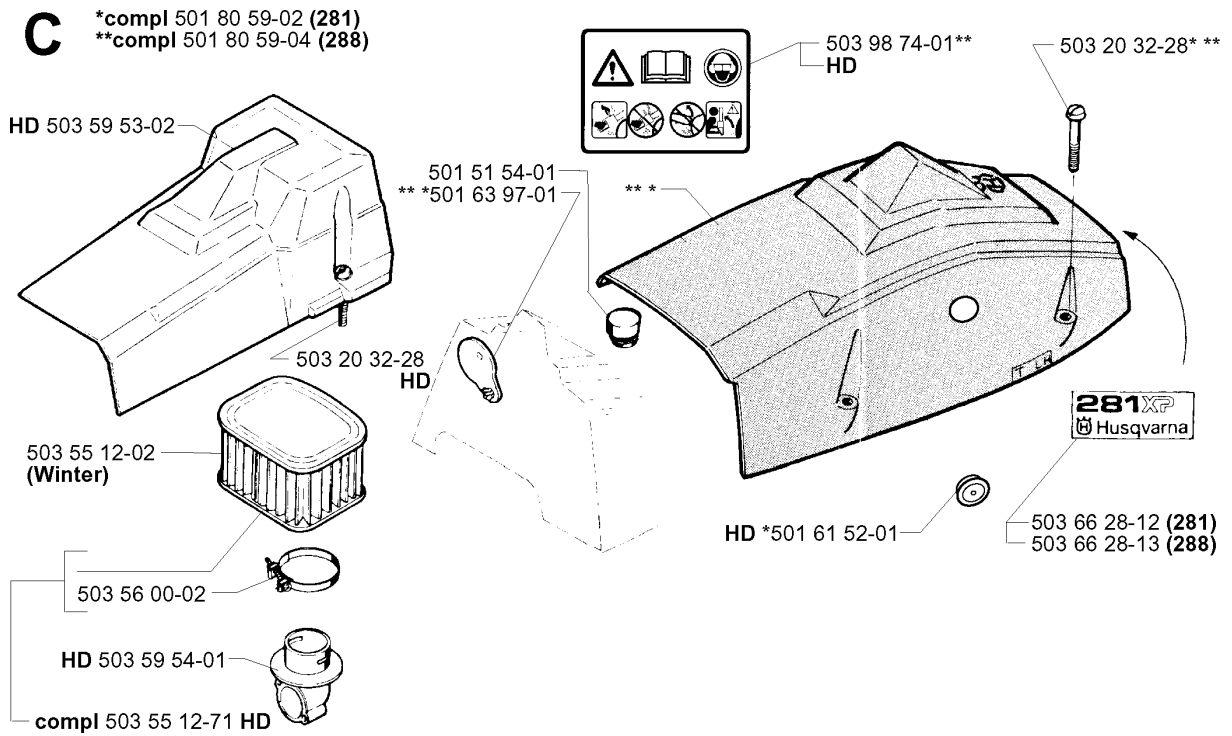
Part No	Description	Remark	QTY KIT
501 51 72-01	CHAIN GUIDE		1
501 76 80-01	SHAFT		1
501 87 47-01	SPRING		1
501 87 53-01	KNEE JOINT ASSY		1
501 91 84-01	SPIKE		1
503 20 26-16	SCREW IHSCM		1
503 21 28-10	SCREW CCRPANT		1
503 21 28-10	SCREW CCRPANT		1
503 22 00-01	HEXAGON NUT		1
503 22 24-01	LOCK NUT		1
503 52 08-01	SHAFT		1
503 57 37-01	CHIP GUARD		1
503 57 97-01	POSITION SPRING		1
503 60 13-01	SPIKE		1
503 62 41-01	LABEL		1
503 70 38-01	CLUTCH COVER		1
503 70 39-01	HUB CAP		1
503 70 40-01	BRAKE BAND ASSY		1
503 70 99-01	BRAKE SPRING		1
503 74 67-02	CHAIN BRAKE ASSY		1
503 76 08-01	HAND GUARD ASSY		1
503 80 27-01	PIVOT PIN		1
720 12 33-51	PARALLEL PIN		1
721 42 52-50	SPRING PIN		1
725 53 27-55	SCREW IHSCM		1
735 31 08-20	E-CLIP		1



CLUTCH & OIL PUMP

288, 20014000001-Current

Part No	Description	Remark	QTY KIT
501 28 41-01	SCREW		1
501 28 85-01	SEAL		1
501 29 38-01	ADJUSTMENT SCREW		1
501 29 39-02	BUSHING		1
501 51 99-01	OIL HOSE		1
501 54 41-02	OIL SCREEN		1
501 54 48-01	SPRING		1
501 59 80-02	RIM	3/8X7	1
503 14 51-01	CLUTCH SPRING		1
503 20 26-20	SCREW IHSCM		1
503 23 00-19	WASHER		1
503 23 00-58	WASHER		1
503 23 10-02	WASHER		1
503 25 30-01	NEEDLE BEARING		1
503 26 02-05	SEALING RING		1
503 55 75-01	GEAR WHEEL		1
503 62 59-03	CLUTCH DRUM ASSY	3/8X7	1
503 69 81-01	OIL PUMP ASSY		1
503 69 82-01	PUMP PISTON		1
503 70 15-02	CLUTCH ASSY		1
721 42 03-25	PINNE FRP-LS3X6 OXSV		1
740 42 01-00	O-RING		1
740 42 24-00	O-RING		1

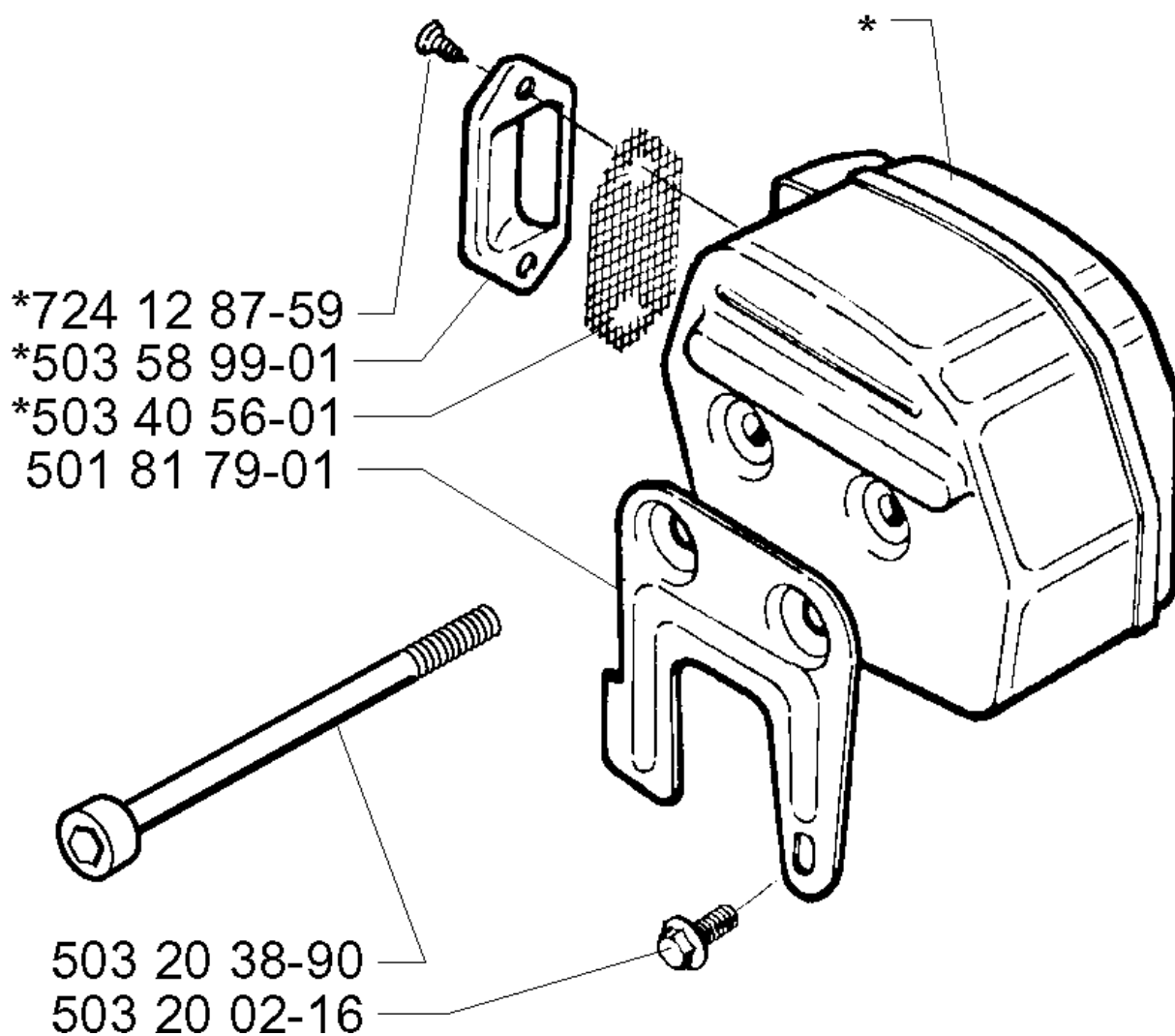


AIR FILTER COVER

288, 20014000001-Current

Part No	Description	Remark	QTY KIT
501 51 54-01	SUPPORT		1
501 61 52-01	PLUG	HD	1
501 63 97-01	COVER		1
501 80 59-02	CYLINDER COVER ASSY	281	1
501 80 59-04	CYLINDER COVER ASSY	288	1
503 20 32-28	SCREW		1
503 20 32-28	SCREW	HD	1
503 55 12-02	AIR FILTER	WINTER	1
503 55 12-71	AIR FILTER	HD	1
503 56 00-02	HOSE CLAMP		1
503 59 53-02	CYLINDER COVER ASSY	HD	1
503 59 54-01	FILTER	HD	1
503 66 28-12	DECAL	281	1
503 66 28-13	DECAL	288	1
503 98 74-01	LABEL	HD	1

D *compl 503 59 15-01 (FF)



MUFFLER

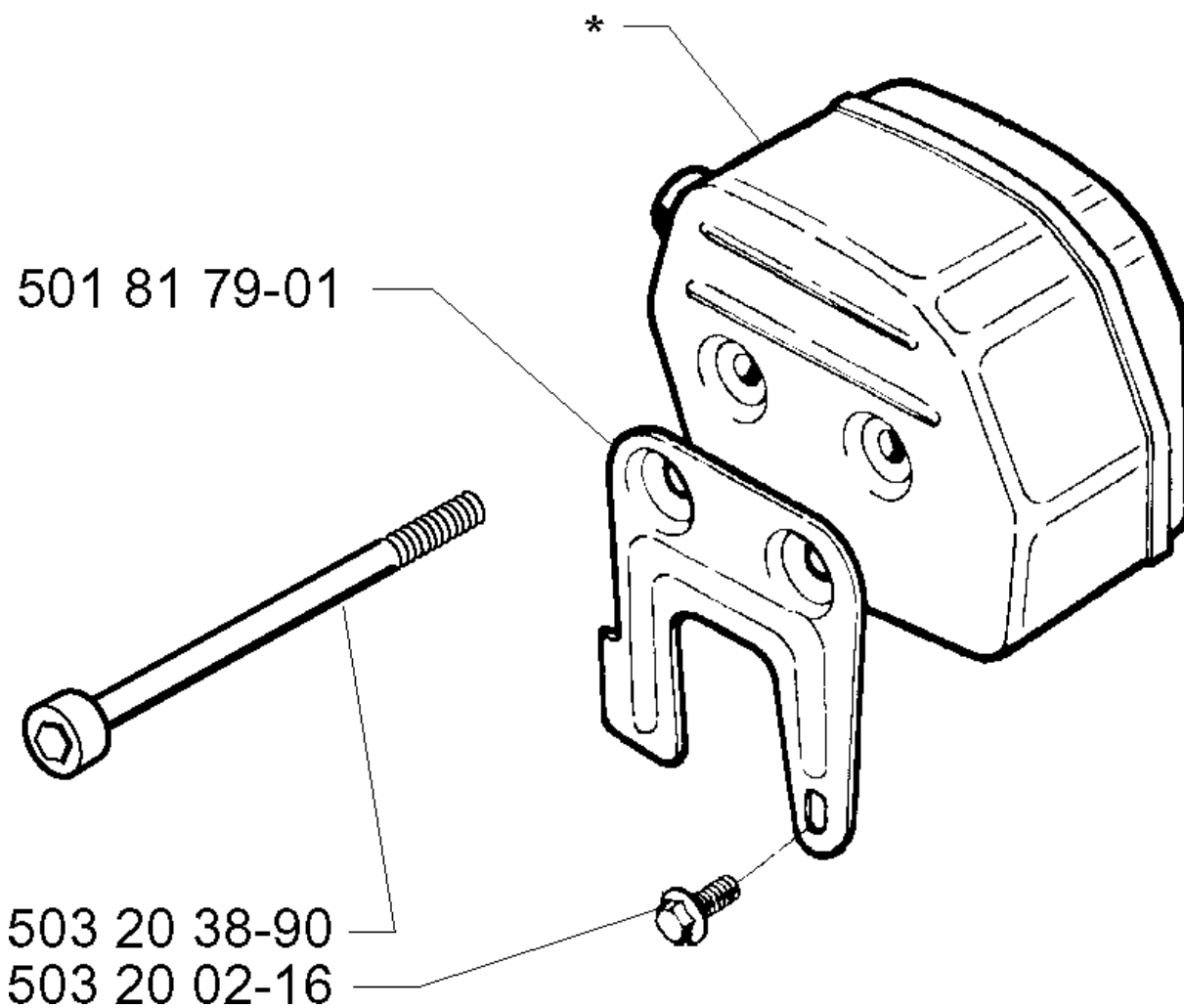
288, 20014000001-Current

Part No	Description	Remark	QTY KIT
501 81 79-01	BRACKET		1
503 20 02-16	SCREW IHSCFM		1
503 20 38-90	SCREW IHSCM		1
503 40 56-01	SPARK ARRESTER SCREEN		1
503 58 99-01	EXHAUST DUCT		1
503 59 15-01	MUFFLER ASSY	FF	1
724 12 87-59	SCREW CRPANM		1

E

***compl 501 81 68-01 (Tube)**

***compl 501 81 68-02 (DJ)**



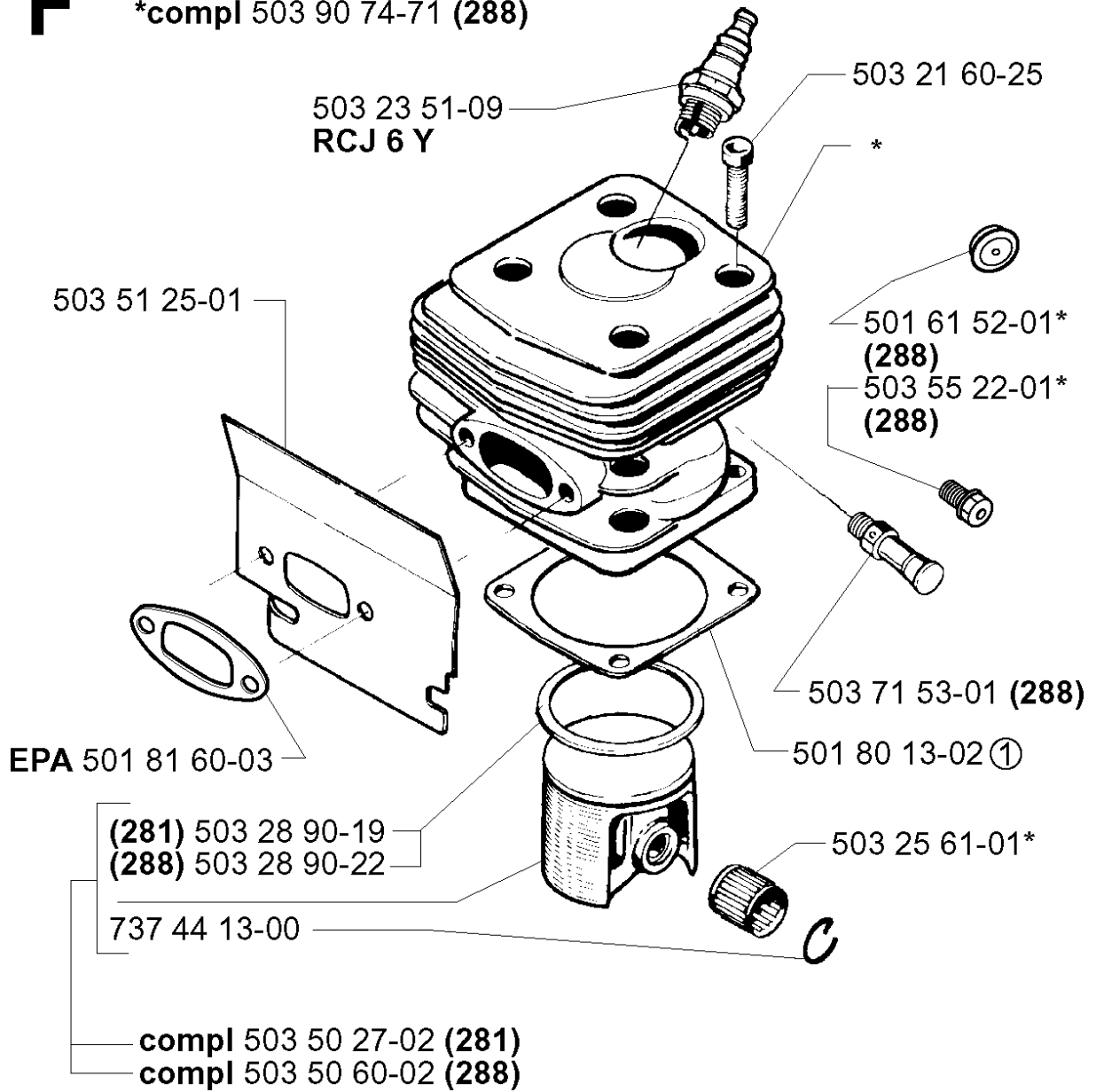
MUFFLER

288, 20014000001-Current

Part No	Description	Remark	QTY KIT
501 81 68-01	MUFFLER PIPE	TUBE	1
501 81 68-02	MUFFLER	DJ	1
501 81 79-01	BRACKET		1
503 20 02-16	SCREW IHSCFM		1
503 20 38-90	SCREW IHSCM		1

F

***compl 503 50 29-01 (281)**
***compl 503 90 74-71 (288)**

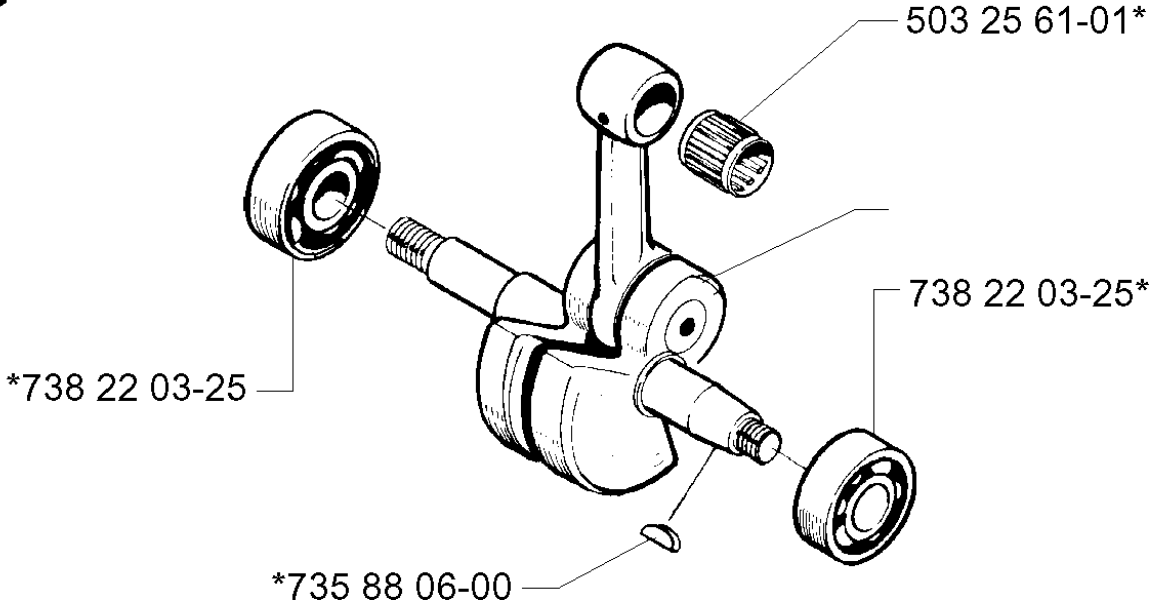


CYLINDER PISTON

288, 20014000001-Current

Part No	Description	Remark	QTY KIT
501 61 52-01	PLUG	288	1
501 80 13-02	GASKET		1
501 81 60-03	GASKET	EPA	1
503 21 60-25	SCREW		1
503 23 51-09	SPARK PLUG	RCJ 6 Y	1
503 25 61-01	NEEDLE BEARING		1
503 28 90-19	PISTON RING	281	1
503 28 90-22	PISTON RING	288	1
503 50 27-02	PISTON ASSY	281	1
503 50 29-01	CYLINDER ASSY	281	1
503 50 60-02	PISTON ASSY	288	1
503 51 25-01	HEAT DEFLECTOR		1
503 55 22-01	PLUG	288	1
503 71 53-01	DECOMPRESSION VALVE	288	1
503 90 74-71	CYLINDER ASSY	288	1
737 44 13-00	CIRCLIP		1

G *compl 501 81 49-01



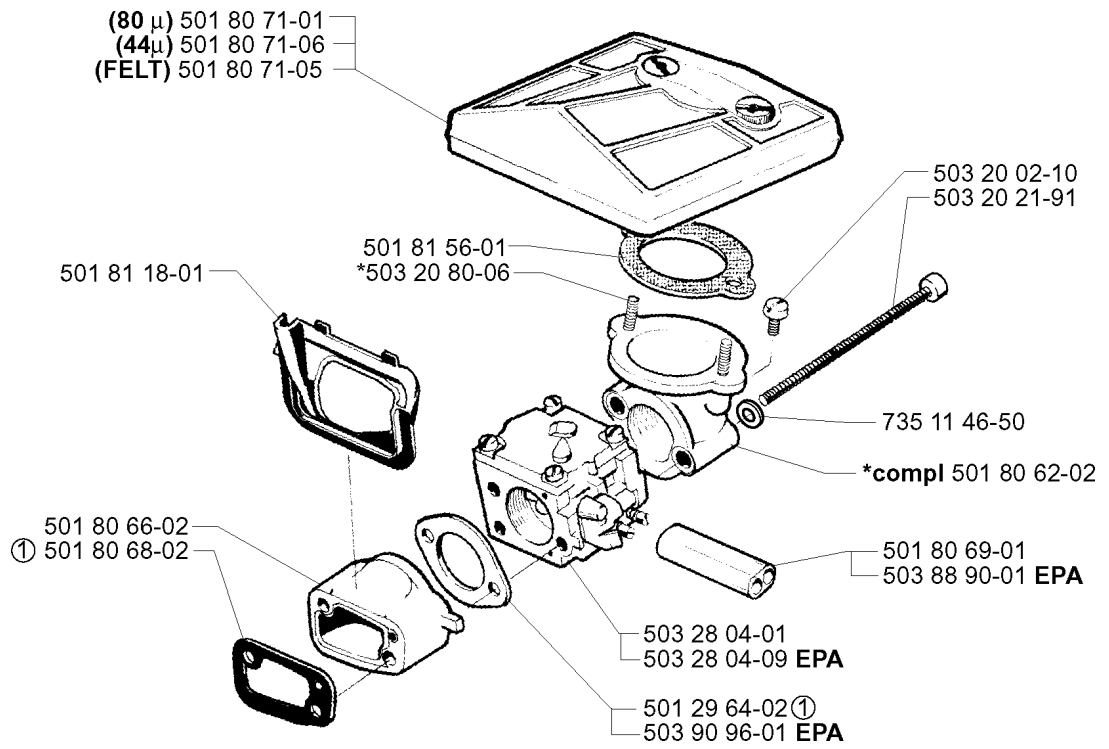
CRANKSHAFT

288, 20014000001-Current

Part No	Description	Remark	QTY KIT
501 81 49-01	CRANKSHAFT ASSY		1
503 25 61-01	NEEDLE BEARING		1
735 88 06-00	WOODRUFF KEY		1
738 22 03-25	BALL BEARING		1
738 22 03-25	BALL BEARING		1

H

*compl 000 00 00-00

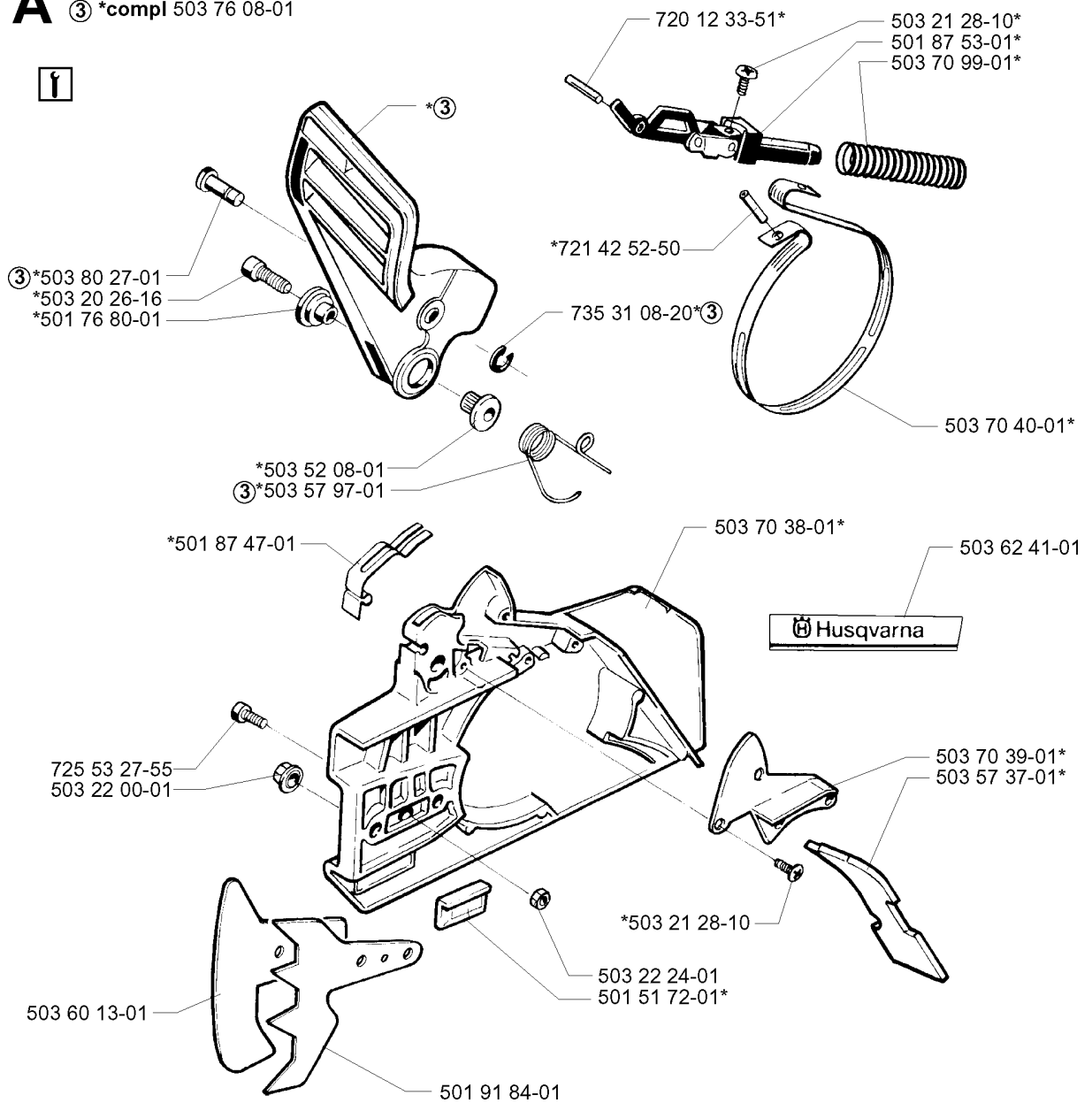


CARBURETOR & AIR FILTER

288, 20014000001-Current

Part No	Description	Remark	QTY KIT
000 00 00-00	W/O DESCRIPTION		1
501 29 64-02	GASKET		1
501 80 62-02	FILTER HOLDER ASSY		1
501 80 66-02	MANIFOLD		1
501 80 68-02	GASKET		1
501 80 69-01	GUIDE BUSHING		1
501 80 71-01	AIR FILTER ASSY		1
501 80 71-05	AIR FILTER ASSY	FELT	1
501 80 71-06	AIR FILTER ASSY		1
501 81 18-01	SEALING COLLAR		1
501 81 56-01	GASKET		1
503 20 02-10	SCREW IHSCFM		1
503 20 21-91	SCREW IHSCM		1
503 20 80-06	SCREW		1
503 28 04-01	CARBURETTOR		1
503 28 04-09	CARBURETTOR	EPA	1
503 88 90-01	GUIDE BUSHING	EPA	1
503 90 96-01	GASKET	EPA	1
735 11 46-50	SPRING WASHER		1

A *compl 503 74 67-02
 ③ *compl 503 76 08-01

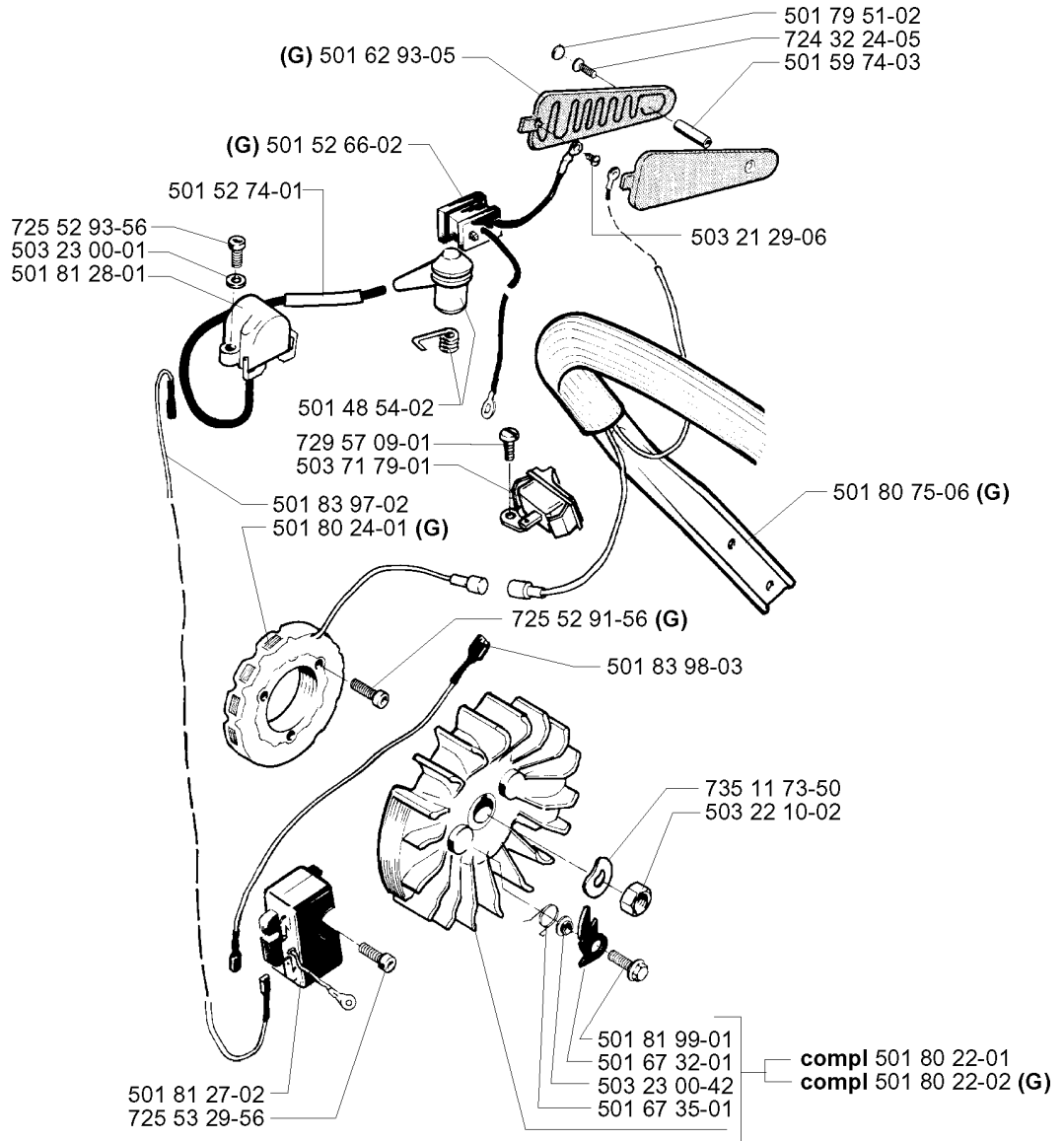


CHAIN BRAKE

288, 20014000001-Current

Part No	Description	Remark	QTY KIT
501 27 13-02	CABLE GROMMET		1
501 29 65-01	SCREW		1
501 29 66-01	SPRING		1
501 51 72-01	CHAIN GUIDE		1
501 52 78-01	GROMMET		1
501 52 79-02	CHOKE CONTROL		1
501 53 71-01	CHAIN TENSIONER KIT		1
501 68 68-01	CHAIN CATCHER		1
501 80 03-06	CRANKCASE		1
501 80 19-02	LEDSKENA		1
501 81 48-01	PROTECTIVE PLATE		1
501 81 57-01	BAR BOLT		1
501 81 96-02	TANK CAP ASSY		1
501 83 94-01	FILTER PLUG		1
501 91 67-01	BELLOWS		1
501 91 81-01	SPIKE		1
503 21 05-22	SCREW IH SCT		1
503 21 05-22	SCREW IH SCT		1
503 26 02-05	SEALING RING		1
503 26 30-17	O-RING		1
503 27 90-04	PLUG		1
503 49 62-01	ANTIVIBRATION ELEMENT		1
503 57 89-01	HOLDER		1
503 60 12-01	SPIKE		1
503 69 76-01	GROMMET		1
503 72 31-01	BUSHING		1
720 13 07-10	PARALLEL PIN		1
725 53 27-55	SCREW IHSCM		1
725 53 29-55	SCREW IHSCM		1
725 53 37-55	SCREW IHSCM		1
725 53 42-55	SCREW IHSCM		1

K



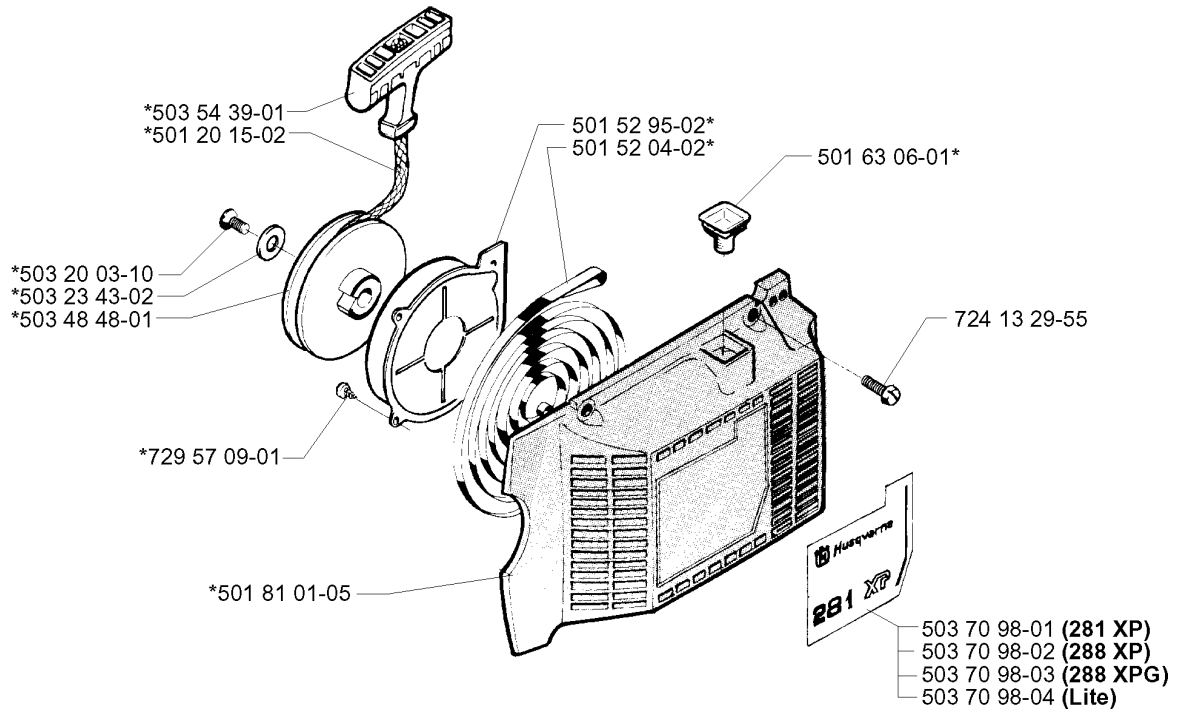
ELECTRICAL

288, 20014000001-Current

Part No	Description	Remark	QTY KIT
501 48 54-02	SPARK PLUG CAP		1
501 52 66-02	SWITCH	G	1
501 52 74-01	RUBBER HOSE		1
501 59 74-03	SPACER		1
501 62 93-05	HANDLE INSERT	G	1
501 67 32-01	PAWL		1
501 67 35-01	SPRING		1
501 79 51-02	COVER WASHER		1
501 80 22-01	FLYWHEEL ASSY		1
501 80 22-02	FLYWHEEL ASSY	G	1
501 80 24-01	STATOR ASSY	G	1
501 80 75-06	FRONT HANDLE ASSY	G	1
501 81 27-02	MODULE		1
501 81 28-01	IGNITION COIL		1
501 81 99-01	SCREW		1
501 83 97-02	WIRE		1
501 83 98-03	CABLE		1
503 21 29-06	SCREW CCRPANT		1
503 22 10-02	HEXAGON NUT		1
503 23 00-01	WASHER		1
503 23 00-42	WASHER		1
503 71 79-01	STOP SWITCH		1
724 32 24-05	SCREW CRCSFM		1
725 52 91-56	SCREW IHSCM	G	1
725 52 93-56	SCREW IHSCM		1
725 53 29-56	SCREW IHSCM		1
729 57 09-01	SCREW CCRPANT		1
735 11 73-50	SPRING WASHER		1



*compl 501 81 00-06

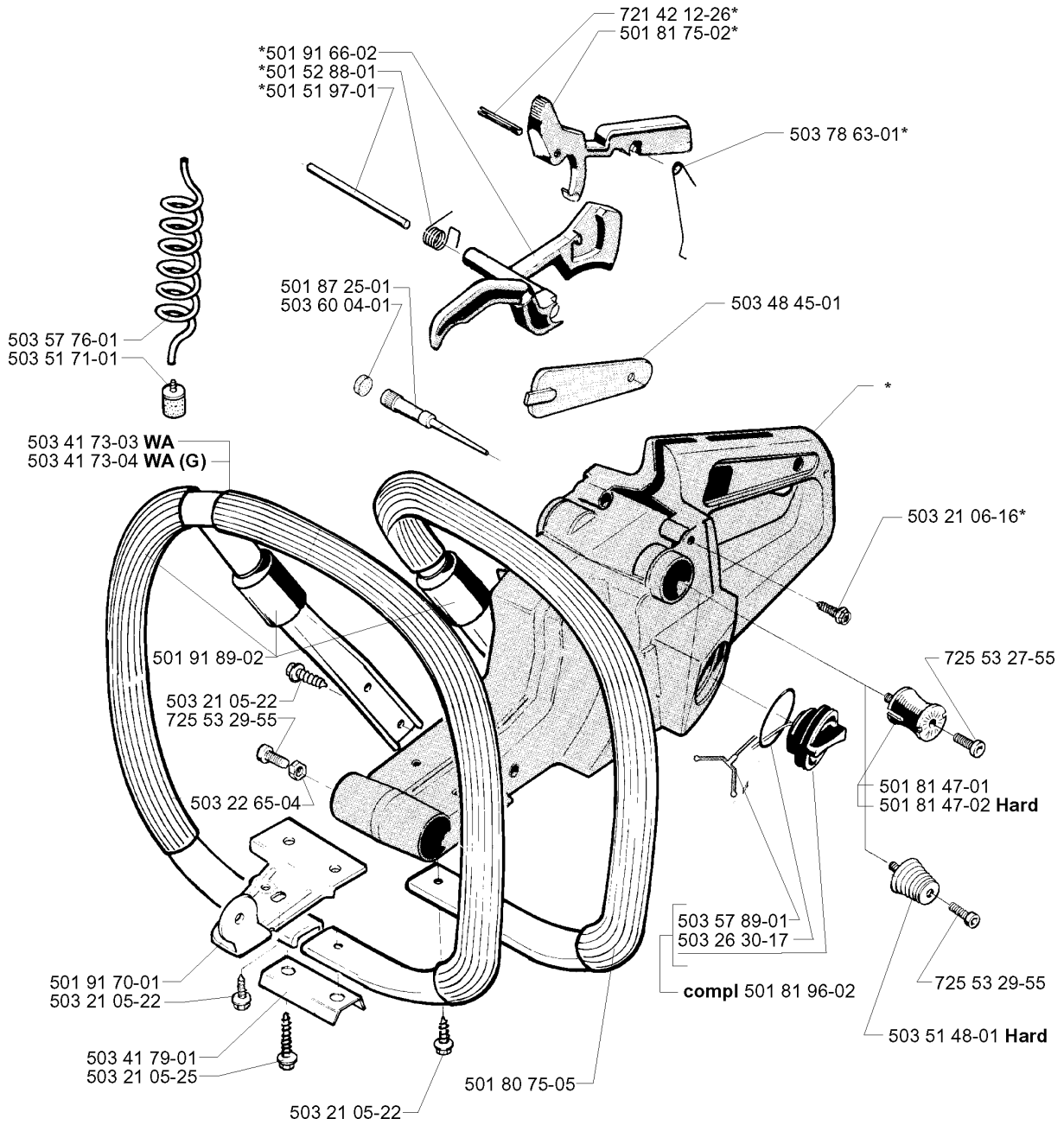


STARTER

288, 20014000001-Current

Part No	Description	Remark	QTY KIT
501 20 15-02	STARTER CORD		1
501 52 04-02	RECOIL SPRING		1
501 52 95-02	GUARD RING		1
501 63 06-01	SLEEVE		1
501 81 00-06	STARTER ASSY		1
501 81 01-05	STARTER HOUSING		1
503 20 03-10	SCREW IHSCFM		1
503 23 43-02	WASHER		1
503 48 48-01	STARTER PULLEY		1
503 54 39-01	STARTER HANDLE		1
503 70 98-01	DECAL	281 XP	1
503 70 98-02	DECAL	288 XP	1
503 70 98-03	DECAL	288 XPG	1
503 70 98-04	LABEL	LITE	1
724 13 29-55	SCREW		1
729 57 09-01	SCREW CCRPANT		1

M *compl 501 80 91-05



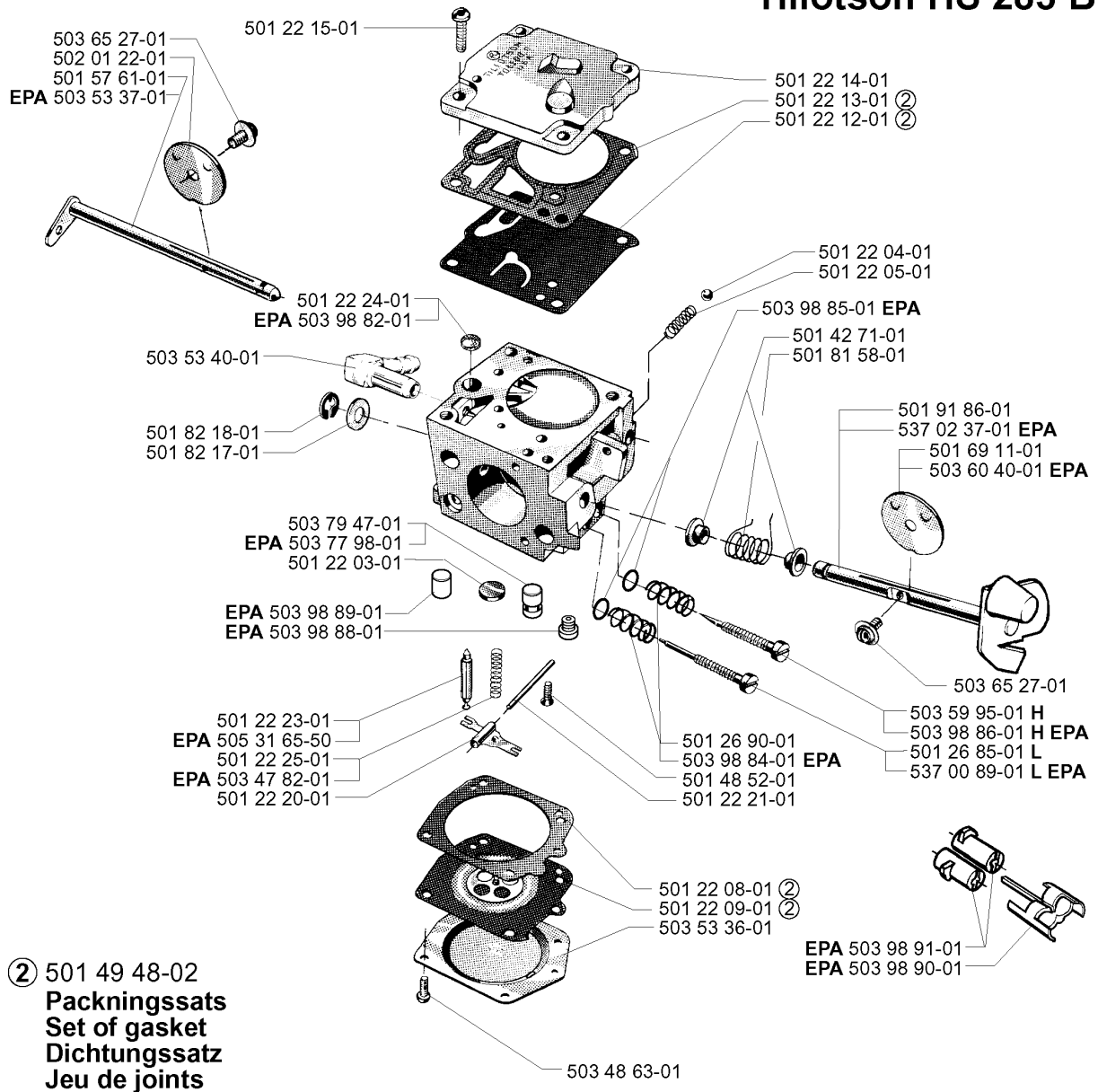
FUEL TANK & HANDLE

288, 20014000001-Current

Part No	Description	Remark	QTY KIT
501 51 97-01	ROD		1
501 52 88-01	RECOIL SPRING		1
501 80 75-05	FRONT HANDLE ASSY		1
501 80 91-05	FUEL TANK		1
501 81 47-01	ANTIVIBRATION ELEMENT		1
501 81 47-02	ANTIVIBRATION ELEMENT	HARD	1
501 81 75-02	THROTTLE LOCKOUT		1
501 81 96-02	TANK CAP ASSY		1
501 87 25-01	TANK VENT		1
501 91 66-02	THROTTLE LEVER		1
501 91 70-01	BRACKET		1
501 91 89-02	SUPPORT		1
503 21 05-22	SCREW IHSC		1
503 21 05-22	SCREW IHSC		1
503 21 05-22	SCREW IHSC		1
503 21 05-25	SCREW IHSC		1
503 21 06-16	SCREW IHSC		1
503 22 65-04	SQUARE NUT		1
503 26 30-17	O-RING		1
503 41 73-03	HANDTAGSBYGEL KPL	WA	1
503 41 73-04	FRONT HANDLE ASSY	WA (G)	1
503 41 79-01	ATTACHMENT PLATE		1
503 48 45-01	HANDLE INSERT		1
503 51 48-01	ANTIVIBRATION ELEMENT	HARD	1
503 51 71-01	FUEL FILTER		1
503 57 76-01	FUEL HOSE		1
503 57 89-01	HOLDER		1
503 60 04-01	FILTER PLUG		1
503 78 63-01	SPRING		1
721 42 12-26	SPRING PIN		1
725 53 27-55	SCREW IHSCM		1
725 53 29-55	SCREW IHSCM		1
725 53 29-55	SCREW IHSCM		1

N compl 503 28 04-01
 compl 503 28 04-09 EPA

Tillotson HS 228 C
Tillotson HS 283 B



CARBURETOR DETAILS

288, 20014000001-Current

Ref	Part No	Description	Remark	QTY KIT
503 28 04-01	503 28 04-01	CARBURETTOR		1
503 28 04-09	503 28 04-09	CARBURETTOR	EPA	1
503 65 27-01	503 65 27-01	SCREW SHUTTER		1
502 01 22-01	502 01 22-01	VALVE		1
501 57 61-01	501 57 61-01	CHOKE SHAFT		1
503 53 37-01	503 53 37-01	CHOKE SHAFT ASSY	EPA	1
501 22 15-01	501 22 15-01	SCREW		1
501 22 24-01	501 22 24-01	SCREEN		1
503 98 82-01	503 98 82-01	SCREEN	EPA	1
503 53 40-01	503 53 40-01	NIPPLE		1
501 82 18-01	501 82 18-01	THROTTLE SH."E"RING		1
501 82 17-01	501 82 17-01	WASHER		1
503 79 47-01	503 79 47-01	NOZZLE ASSY		1
503 77 98-01	503 77 98-01	CHECKVALVE ASSY	EPA	1
501 22 03-01	501 22 03-01	PLUG		1
503 98 89-01	503 98 89-01	VALVE	EPA	1
503 98 88-01	503 98 88-01	JET	EPA	1
501 22 23-01	501 22 23-01	NEEDLE		1
505 31 65-50	505 31 65-50	NEEDLE	EPA	1
501 22 25-01	501 22 25-01	SPRING		1
503 47 82-01	503 47 82-01	SPRING	EPA	1
501 22 20-01	501 22 20-01	LEVER		1
503 48 63-01	503 48 63-01	SCREW		1
503 53 36-01	503 53 36-01	DIAPHRAGM		1
501 22 09-01	501 22 09-01	DIAPHRAGM	501 49 48-02 SET OF GASKET	1
501 22 08-01	501 22 08-01	GASKET	501 49 48-02 SET OF GASKET	1
501 22 21-01	501 22 21-01	PIN		1
501 48 52-01	501 48 52-01	SCREW		1
503 98 84-01	503 98 84-01	SPRING	EPA	1
501 26 90-01	501 26 90-01	SPRING		1
503 98 91-01	503 98 91-01	LIMITER CAP	EPA	1
503 98 90-01	503 98 90-01	MODULE	EPA	1
537 00 89-01	537 00 89-01	NEEDLE	L EPA	1
501 26 85-01	501 26 85-01	SCREW	L	1
503 98 86-01	503 98 86-01	NEEDLE	H EPA	1
503 59 95-01	503 59 95-01	MAIN MIXTURE SCREW	H	1
503 65 27-01	503 65 27-01	SCREW SHUTTER		1
503 60 40-01	503 60 40-01	THROTTLE SHUTTER	EPA	1
501 69 11-01	501 69 11-01	THROTTLE VALVE		1
537 02 37-01	537 02 37-01	SHAFT ASSY	EPA	1
501 91 86-01	501 91 86-01	TROTTELAXEL KPL.		1
501 81 58-01	501 81 58-01	RECOIL SPRING		1
501 42 71-01	501 42 71-01	SLEEVE		1
503 98 85-01	503 98 85-01	RING	EPA	1
501 22 05-01	501 22 05-01	SPRING		1
501 22 04-01	501 22 04-01	BALL		1
501 22 12-01	501 22 12-01	DIAGRAM	501 49 48-02 SET OF GASKET	1
501 22 13-01	501 22 13-01	GASKET	501 49 48-02 SET OF GASKET	1
501 22 14-01	501 22 14-01	COVER		1
501 4	501 49 48-02	GASKET KIT		1

P *compl 503 55 85-01

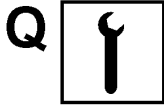
**Tillbehör
Accessories
Accessoires
Zubehöre**



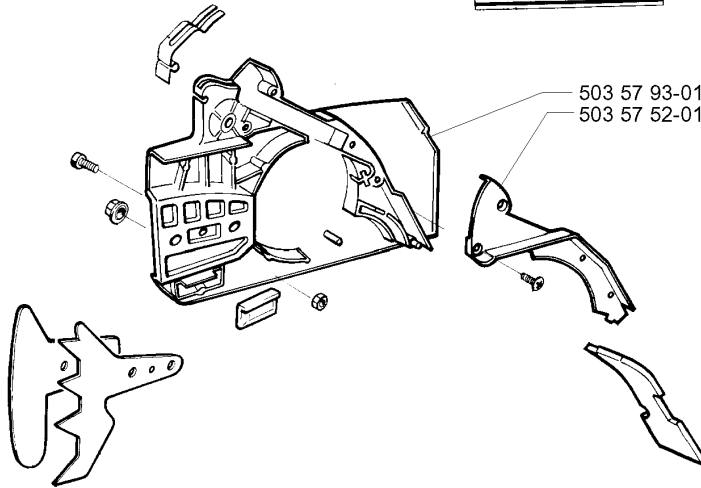
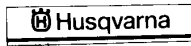
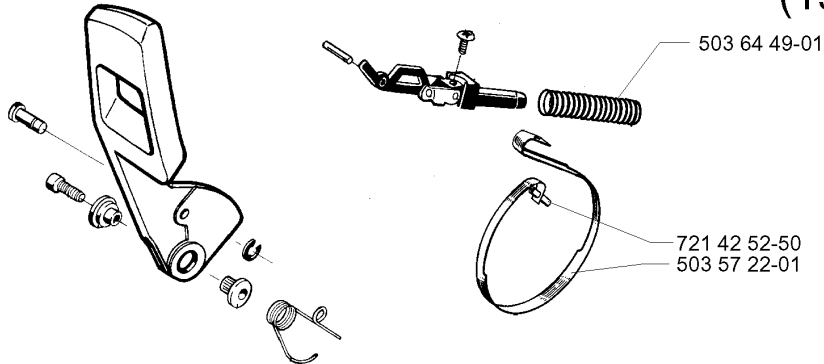
ACCESSORIES

288, 20014000001-Current

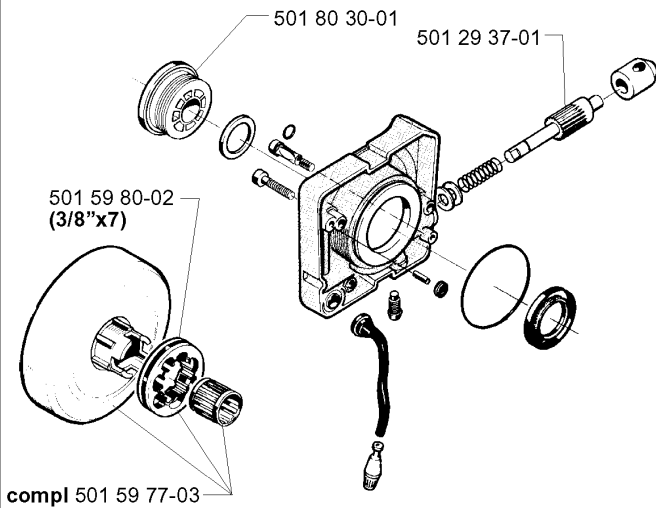
Part No	Description	Remark	QTY KIT
501 69 17-01	COMBINATION WRENCH		1
501 91 14-01	GREASE GUN		1
503 55 85-01	TOOL		1
503 55 86-01	SPANNER	NV4	1
503 55 86-02	SPANNER	NV5	1
503 62 12-01	GREASE		1



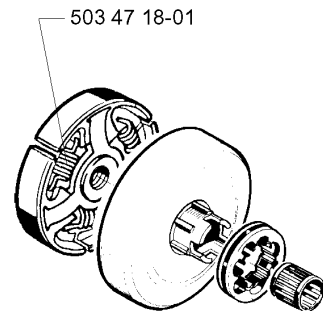
Up to 3340001-281
Up to 3350001-288
(1993)



Up to 3340001-281
Up to 3350001-288 (1993)



Up to 4220001-281
Up to 4250001-288
(1994)



SERVICE UPDATES

288, 20014000001-Current

Part No	Description	Remark	QTY KIT
501 29 37-01	PUMP PISTON		1
501 59 77-03	CLUTCH DRUM		1
501 59 80-02	RIM	3/8X7	1
501 80 30-01	GEAR WHEEL		1
503 47 18-01	CLUTCH SPRING		1
503 57 22-01	BRAKE BAND		1
503 57 52-01	LID		1
503 57 93-01	CLUTCH COVER		1
503 64 49-01	BRAKE SPRING		1
721 42 52-50	SPRING PIN		1