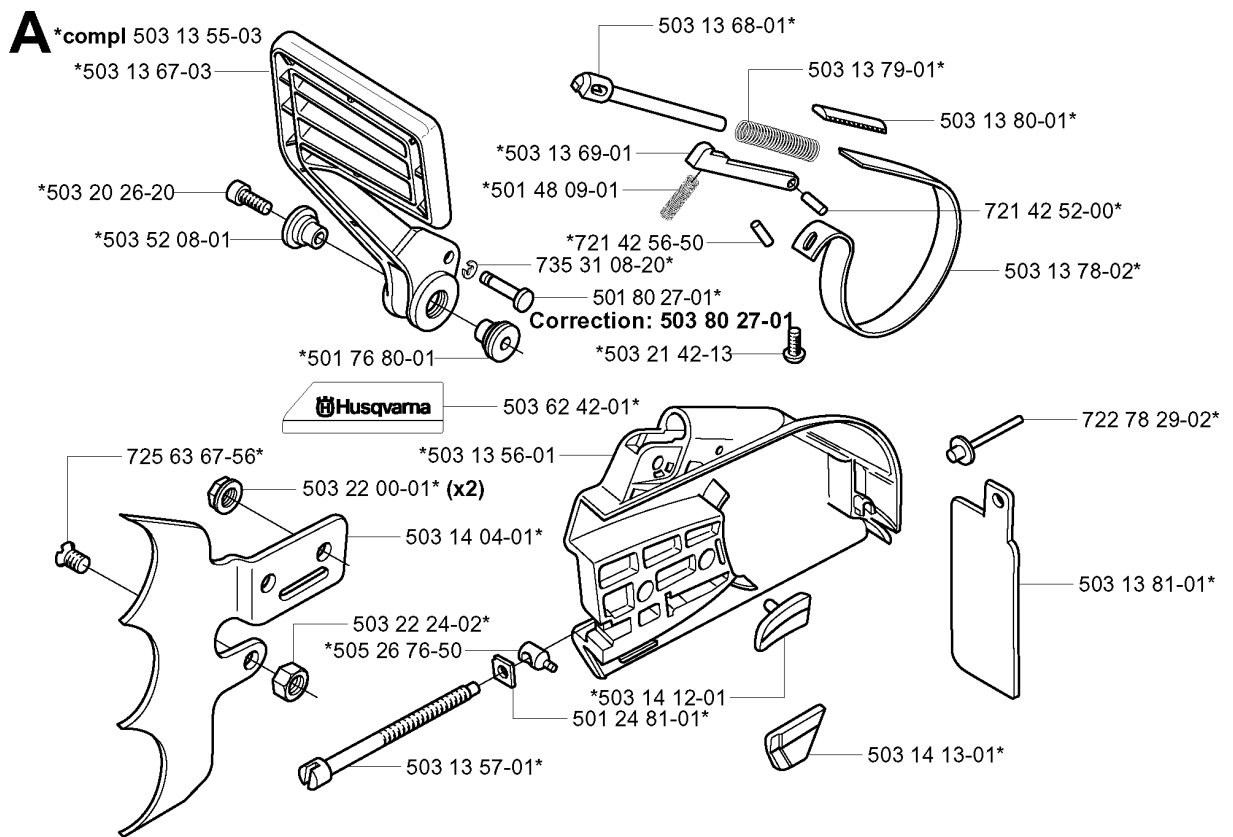




SPARE PARTS LIST

CHAIN SAWS

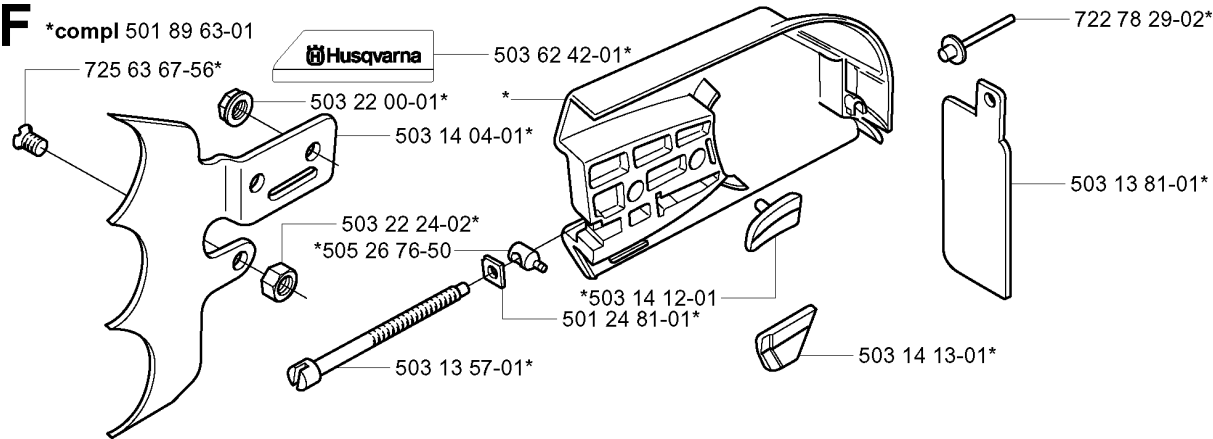
3120, 20013500001-Current



CHAIN BRAKE

3120, 2001350001-Current

Part No	Description	Remark	QTY KIT
501 24 81-01	LOCK NUT		1
501 48 09-01	LOCKING SPRING		1
501 76 80-01	SHAFT		1
503 13 55-03	CLUTCH COVER ASSY		1
503 13 56-01	CLUTCH COVER		1
503 13 57-01	SCREW		1
503 13 67-03	HAND GUARD		1
503 13 68-01	PULL ROD		1
503 13 69-01	LATCH		1
503 13 78-02	BRAKE BAND		1
503 13 79-01	BRAKE SPRING		1
503 13 80-01	GUIDE		1
503 13 81-01	CHIP GUARD		1
503 14 04-01	SPIKE		1
503 14 12-01	CHAIN GUIDE		1
503 14 13-01	CHAIN GUIDE		1
503 20 26-20	SCREW IHSCM		1
503 21 42-13	SCREW CCRPANT		1
503 22 00-01	HEXAGON NUT		2
503 22 24-02	LOCK NUT		1
503 52 08-01	SHAFT		1
503 62 42-01	DECAL		1
503 80 27-01	PIVOT PIN	CORRECTION:	1
505 26 76-50	PAWL		1
721 42 52-00	SPRING PIN		1
721 42 56-50	SPRING PIN		1
722 78 29-02	BLIND RIVET		1
725 63 67-56	SCREW IHCSFM		1
735 31 08-20	E-CLIP		1

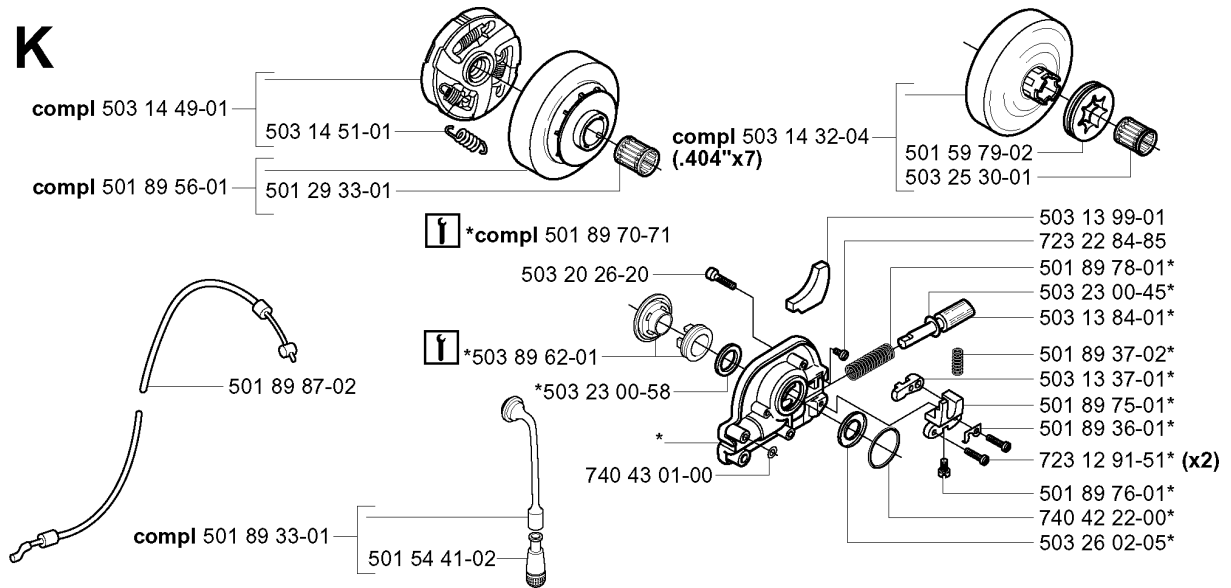


MUFFLER

3120, 20013500001-Current

Part No	Description	Remark	QTY KIT
501 24 81-01	LOCK NUT		1
501 89 63-01	CLUTCH COVER ASSY		1
503 13 57-01	SCREW		1
503 13 81-01	CHIP GUARD		1
503 14 04-01	SPIKE		1
503 14 12-01	CHAIN GUIDE		1
503 14 13-01	CHAIN GUIDE		1
503 22 00-01	HEXAGON NUT		1
503 22 24-02	LOCK NUT		1
503 62 42-01	DECAL		1
505 26 76-50	PAWL		1
722 78 29-02	BLIND RIVET		1
725 63 67-56	SCREW IHCSFM		1

K

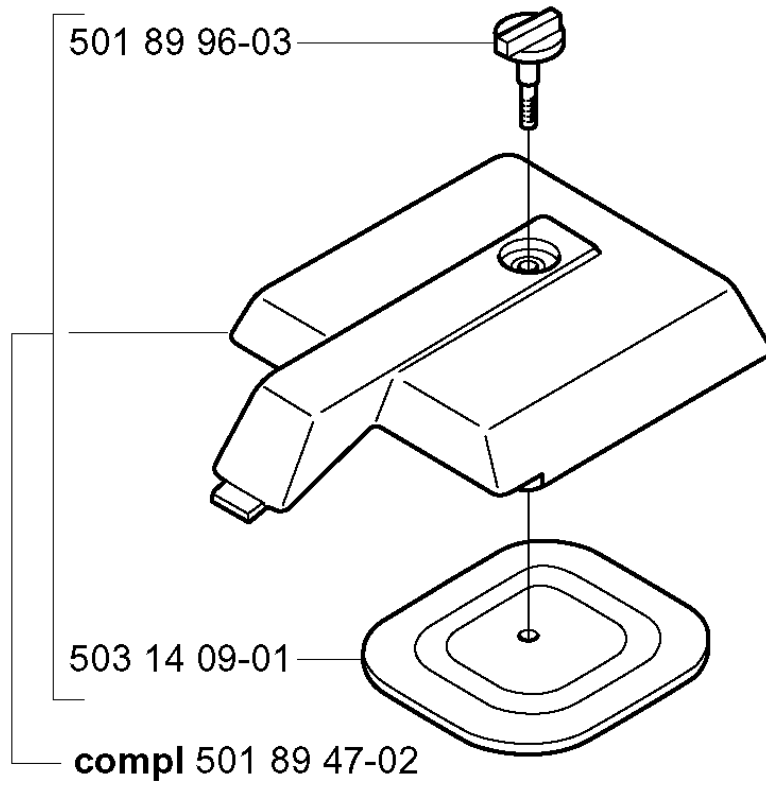


CLUTCH & OIL PUMP

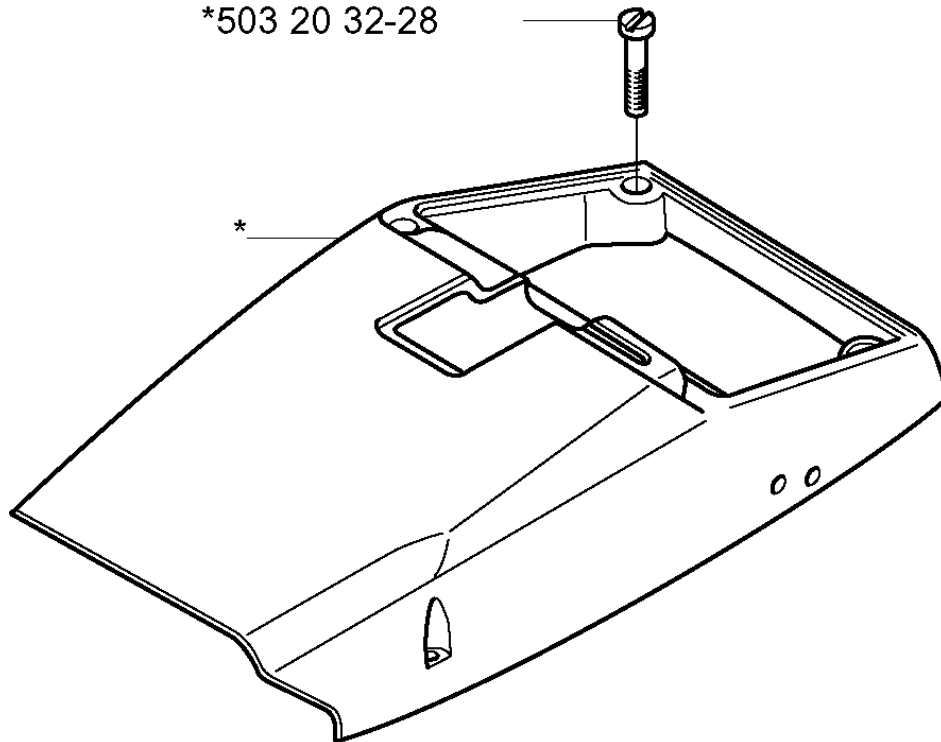
3120, 20013500001-Current

Part No	Description	Remark	QTY KIT
501 29 33-01	NEEDLE BEARING		1
501 54 41-02	OIL SCREEN		1
501 59 79-02	RIM		1
501 89 33-01	OIL HOSE		1
501 89 36-01	LOCKING SPRING		1
501 89 37-02	SPRING		1
501 89 56-01	CLUTCH DRUM ASSY		1
501 89 70-71	OIL PUMP ASSY		1
501 89 75-01	BRACKET		1
501 89 76-01	ADJUSTMENT SCREW		1
501 89 78-01	RECOIL SPRING		1
501 89 87-02	CABLE ASSY		1
503 13 37-01	LEVER		1
503 13 84-01	PUMP PISTON		1
503 13 99-01	SEALING		1
503 14 32-04	CLUTCH DRUM ASSY	.404X7	1
503 14 49-01	CLUTCH ASSY		1
503 14 51-01	CLUTCH SPRING		1
503 20 26-20	SCREW IHSCM		1
503 23 00-45	WASHER		1
503 23 00-58	WASHER		1
503 25 30-01	NEEDLE BEARING		1
503 26 02-05	SEALING RING		1
503 89 62-01	GEAR WHEEL ASSY		1
723 12 91-51	SCREW SLCHM		2
723 22 84-85	SCREW SLPANM		1
740 42 22-00	O-RING		1
740 43 01-00	O-RING		1

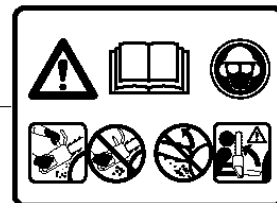
B *compl 501 89 44-02



*503 20 32-28



*503 98 74-01

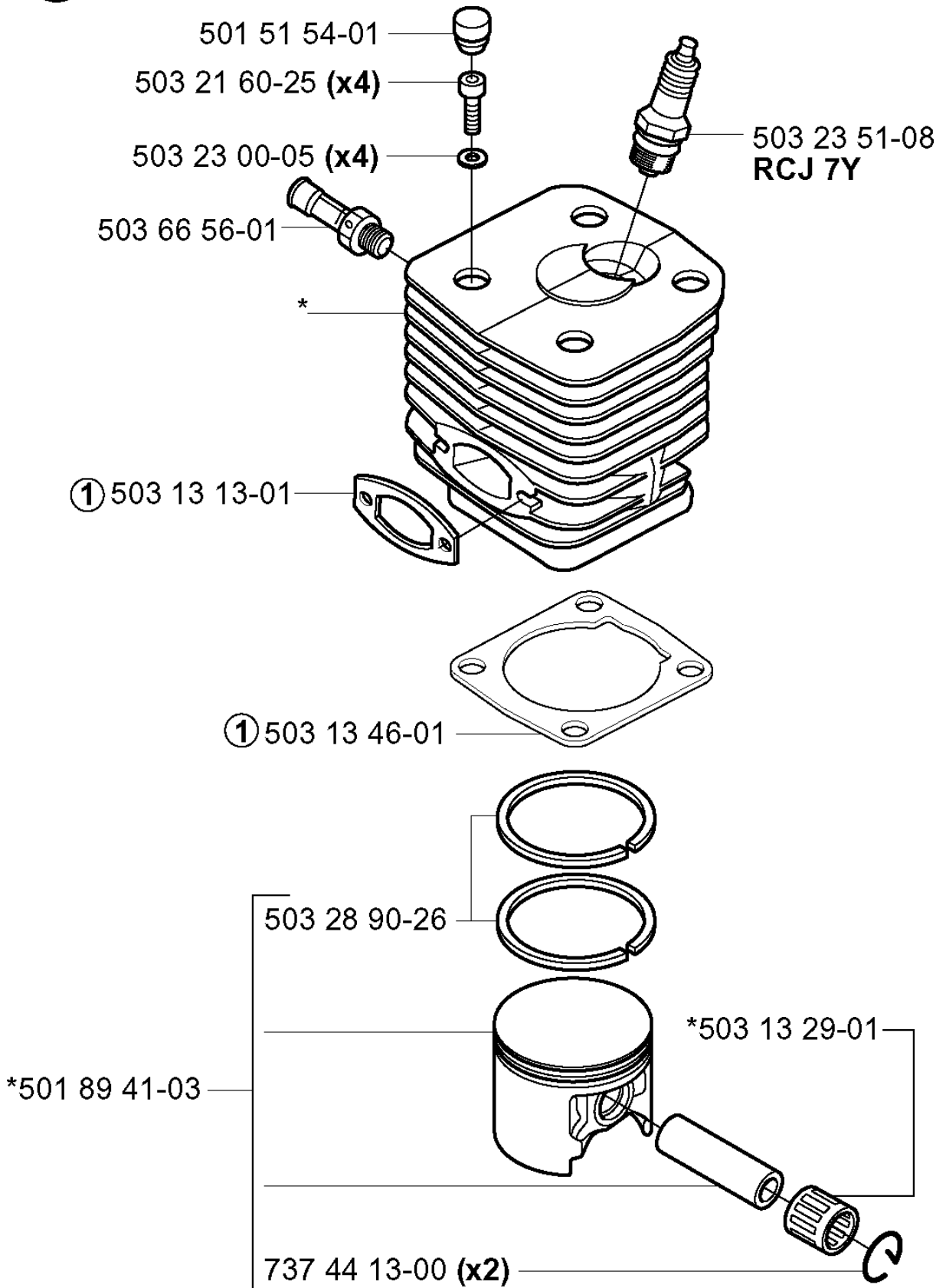


HOUSING

3120, 20013500001-Current

Part No	Description	Remark	QTY KIT
501 89 44-02	CYLINDER COVER ASSY		1
501 89 47-02	FILTER COVER ASSY		1
501 89 96-03	KNOB		1
503 14 09-01	FILTER COVER		1
503 20 32-28	SCREW		1
503 98 74-01	LABEL		1

C *compl 506 29 42-71

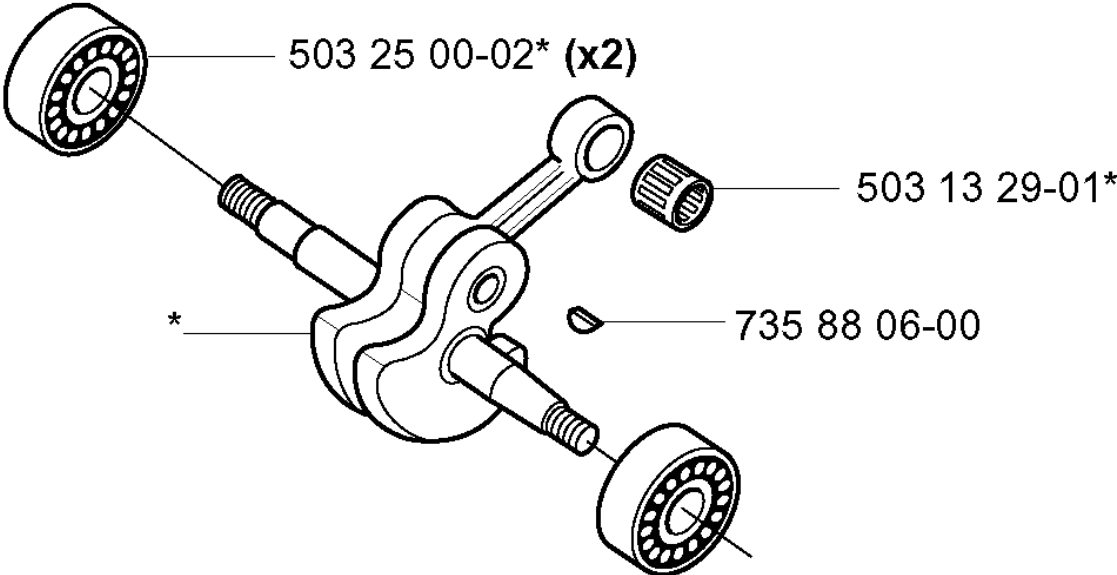


CYLINDER PISTON

3120, 20013500001-Current

Part No	Description	Remark	QTY KIT
501 51 54-01	SUPPORT		1
501 89 41-03	PISTON ASSY		1
503 13 13-01	GASKET		1
503 13 29-01	NEEDLE HOLDER		1
503 13 46-01	GASKET		1
503 21 60-25	SCREW		4
503 23 00-05	WASHER		4
503 23 51-08	SPARK PLUG	RCJ 7Y	1
503 28 90-26	PISTON RING		1
503 66 56-01	DECOMPRESSION VALVE		1
506 29 42-71	CYLINDER ASSY		1
737 44 13-00	CIRCLIP		2

H *compl 503 14 20-72

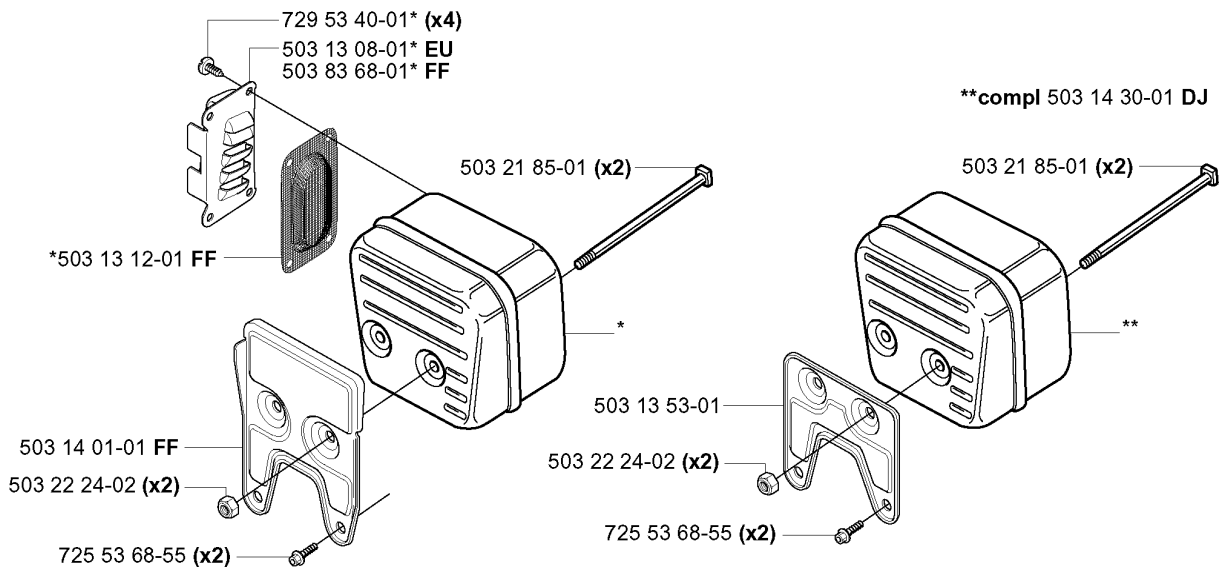


CRANKSHAFT

3120, 20013500001-Current

Part No	Description	Remark	QTY KIT
503 13 29-01	NEEDLE HOLDER		1
503 14 20-72	CRANKSHAFT ASSY		1
503 25 00-02	BALL BEARING		2
735 88 06-00	WOODRUFF KEY		1

G *compl 503 13 00-01 EU
*compl 503 83 65-01 FF



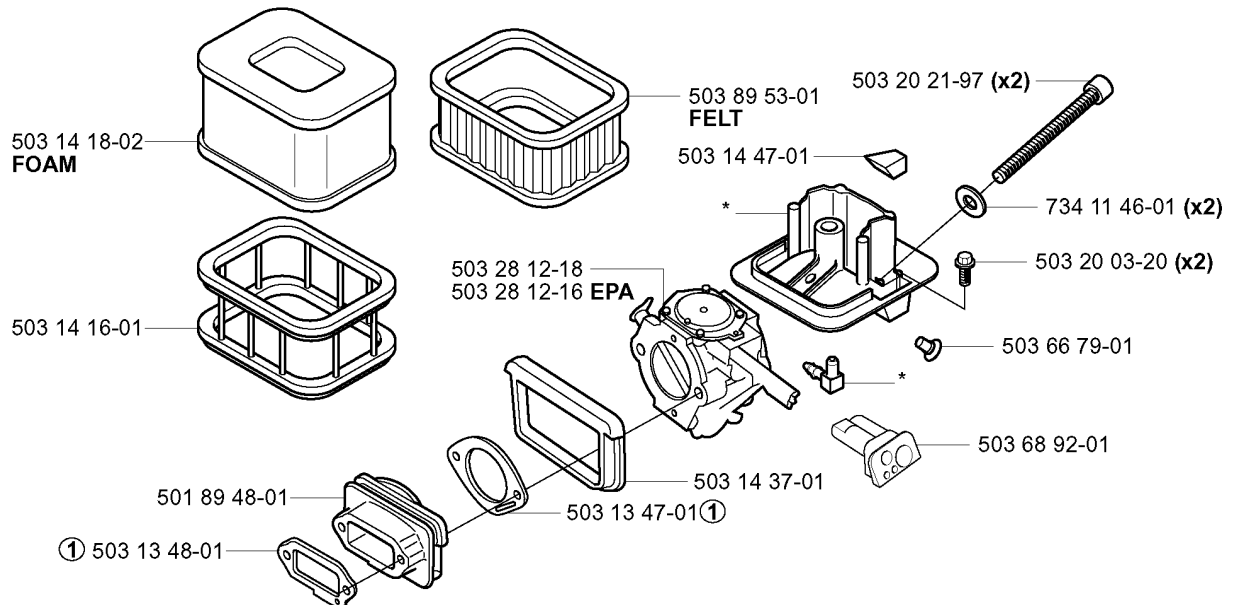
MUFFLER

3120, 20013500001-Current

Part No	Description	Remark	QTY KIT
503 13 00-01	MUFFLER ASSY	EU	1
503 13 08-01	EXHAUST DUCT	EU	1
503 13 12-01	SCREEN	FF	1
503 13 53-01	SUPPORT		1
503 14 01-01	SUPPORT	FF	1
503 14 30-01	MUFFLER ASSY	DJ	1
503 21 85-01	SCREW		2
503 21 85-01	SCREW		2
503 22 24-02	LOCK NUT		2
503 22 24-02	LOCK NUT		2
503 83 65-01	MUFFLER	FF	1
503 83 68-01	EXHAUST DUCT	FF	1
725 53 68-55	SCREW IHSCM		2
725 53 68-55	SCREW IHSCM		2
729 53 40-01	SCREW CCRPANT		4

D

*compl 501 89 90-02

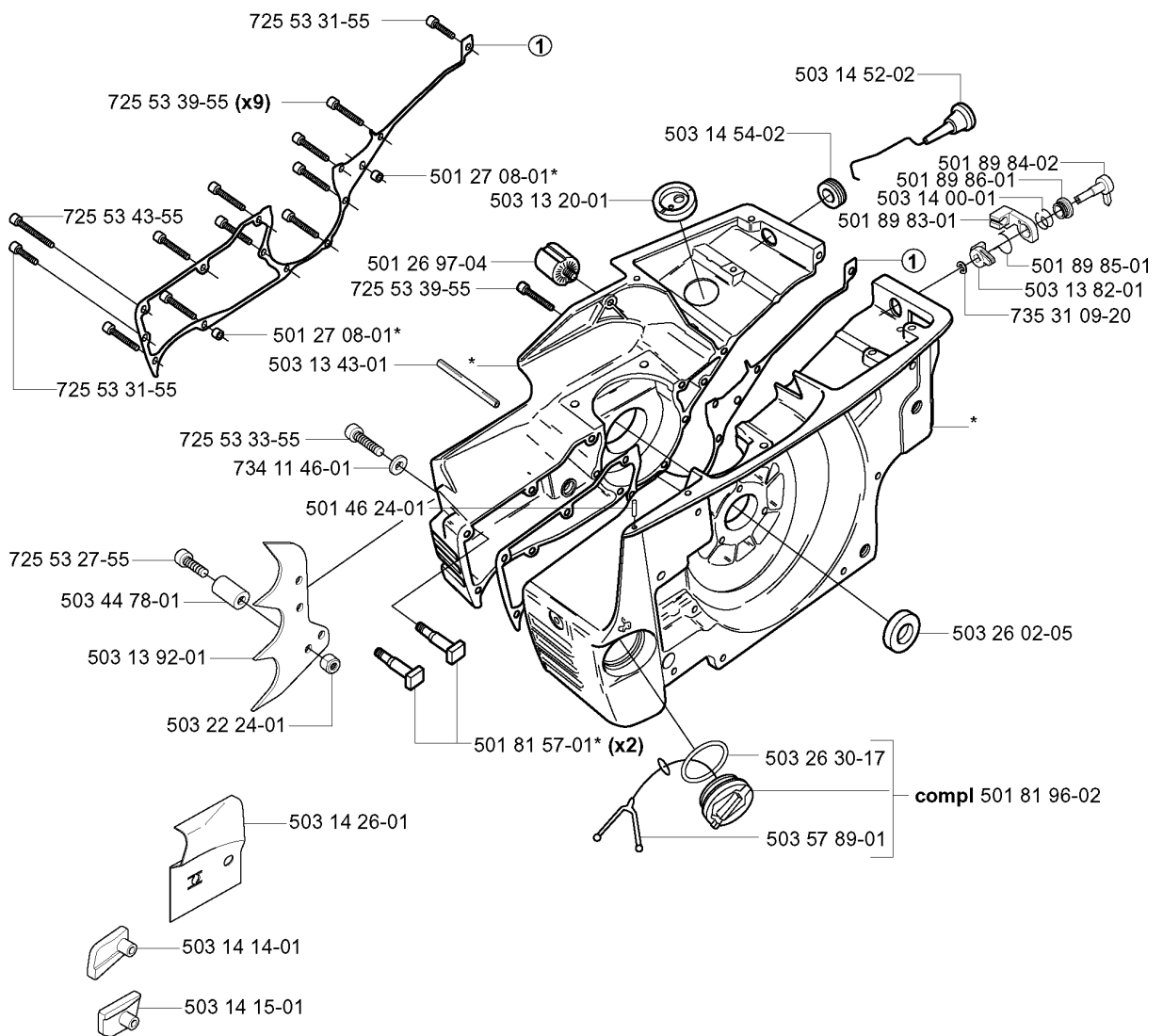


CARBURETOR & AIR FILTER

3120, 20013500001-Current

Part No	Description	Remark	QTY KIT
501 89 48-01	INLET PIPE		1
501 89 90-02	FILTER HOLDER ASSY		1
503 13 47-01	GASKET		1
503 13 48-01	GASKET		1
503 14 16-01	AIR FILTER HOLDER		1
503 14 18-02	AIR FILTER	FOAM	1
503 14 37-01	SEALING		1
503 14 47-01	FILLER		1
503 20 03-20	SCREW IHSCFM		2
503 20 21-97	SCREW IHSCM		2
503 28 12-16	CARBURETTOR	EPA	1
503 28 12-18	CARBURETTOR		1
503 66 79-01	GROMMET		1
503 68 92-01	GUIDE BUSHING		1
503 89 53-01	AIR FILTER	FELT	1
734 11 46-01	WASHER		2

L *compl 501 89 25-01

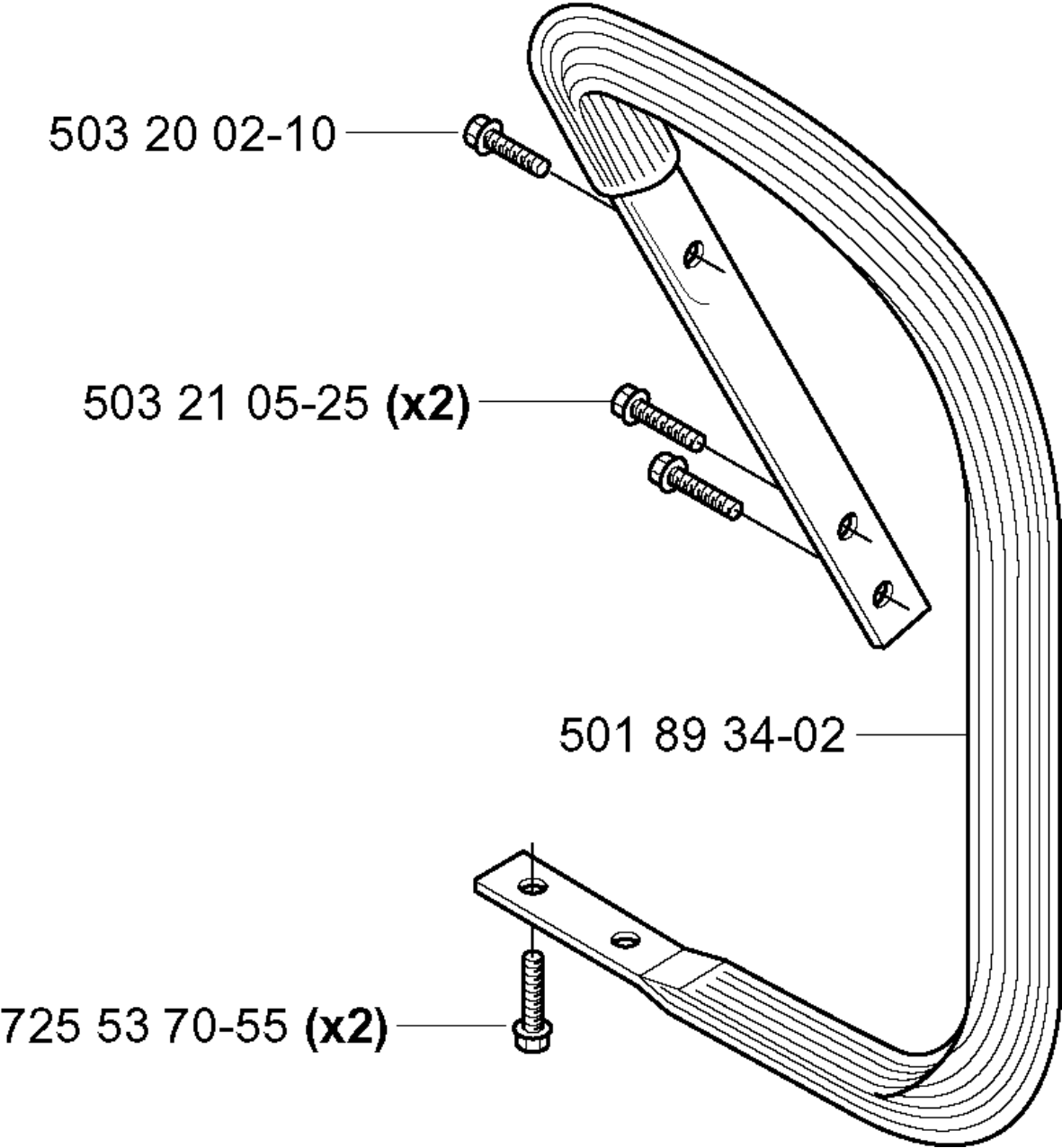


CRANKCASE

3120, 20013500001-Current

Ref	Part No	Description	Remark	QTY KIT
501 89 25-01	501 89 25-01	CRANKCASE		1
725 53 31-55	725 53 31-55	SCREW IHSCM		1
725 53 39-55	725 53 39-55	SCREW IHSCM		9
725 53 43-55	725 53 43-55	SCREW IHSCM		1
725 53 31-55	725 53 31-55	SCREW IHSCM		1
725 53 27-55	725 53 27-55	SCREW IHSCM		1
503 44 78-01	503 44 78-01	SLEEVE		1
503 13 92-01	503 13 92-01	SPIKE		1
503 22 24-01	503 22 24-01	LOCK NUT		1
503 14 26-01	503 14 26-01	PROTECTIVE PLATE		1
503 14 14-01	503 14 14-01	CHAIN GUIDE		1
503 14 15-01	503 14 15-01	CHAIN GUIDE		1
501 81 57-01	501 81 57-01	BAR BOLT		2
501 46 24-01	501 46 24-01	GROOVED PIN		1
734 11 46-01	734 11 46-01	WASHER		1
725 53 33-55	725 53 33-55	SCREW IHSCM		1
503 13 43-01	503 13 43-01	TANK VENT		1
501 27 08-01	501 27 08-01	GUIDE BUSHING		1
725 53 39-55	725 53 39-55	SCREW IHSCM		1
501 26 97-04	501 26 97-04	ANTIVIBRATION ELEMENT		1
503 13 20-01	503 13 20-01	GROMMET		1
501 27 08-01	501 27 08-01	GUIDE BUSHING		1
503 14 54-02	503 14 54-02	GROMMET		1
503 26 30-17	503 26 30-17	O-RING		1
503 57 89-01	503 57 89-01	HOLDER		1
501 81 96-02	501 81 96-02	TANK CAP ASSY		1
503 26 02-05	503 26 02-05	SEALING RING		1
735 31 09-20	735 31 09-20	E-CLIP		1
503 13 82-01	503 13 82-01	DRAW LEVER		1
501 89 85-01	501 89 85-01	SPRING		1
501 89 83-01	501 89 83-01	BRACKET		1
503 14 00-01	503 14 00-01	SPRING		1
501 89 86-01	501 89 86-01	SCREW		1
501 89 84-02	501 89 84-02	KNOB		1
503 14 52-02	503 14 52-02	CHOKE CONTROL ASSY		1
	503 14 25-01	GASKET KIT		1

J

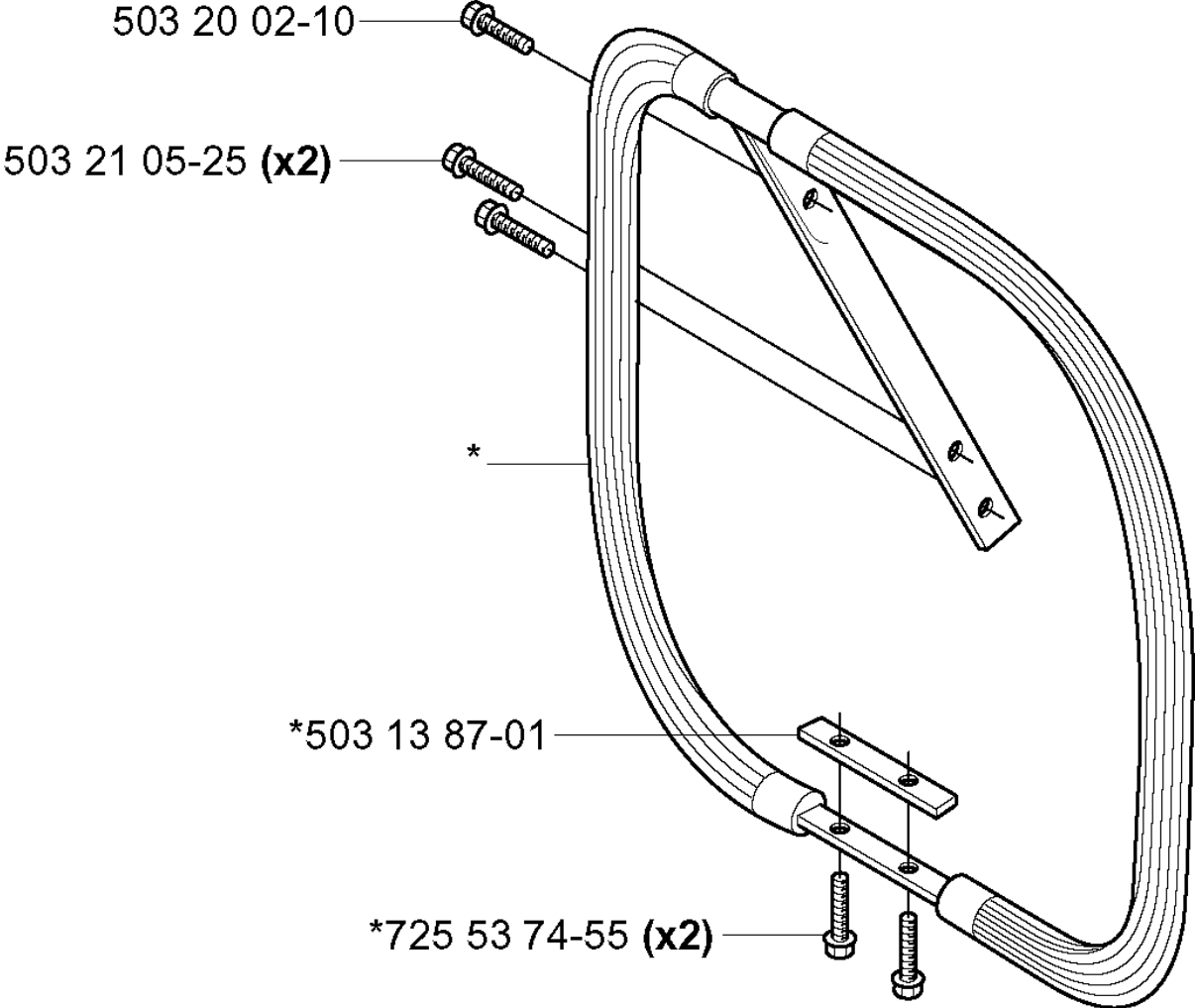


HANDLE

3120, 20013500001-Current

Part No	Description	Remark	QTY KIT
501 89 34-02	FRONT HANDLE ASSY		1
503 20 02-10	SCREW IHSCFM		1
503 21 05-25	SCREW IHST		2
725 53 70-55	SCREW IHSCM		2

R *compl 503 13 86-02

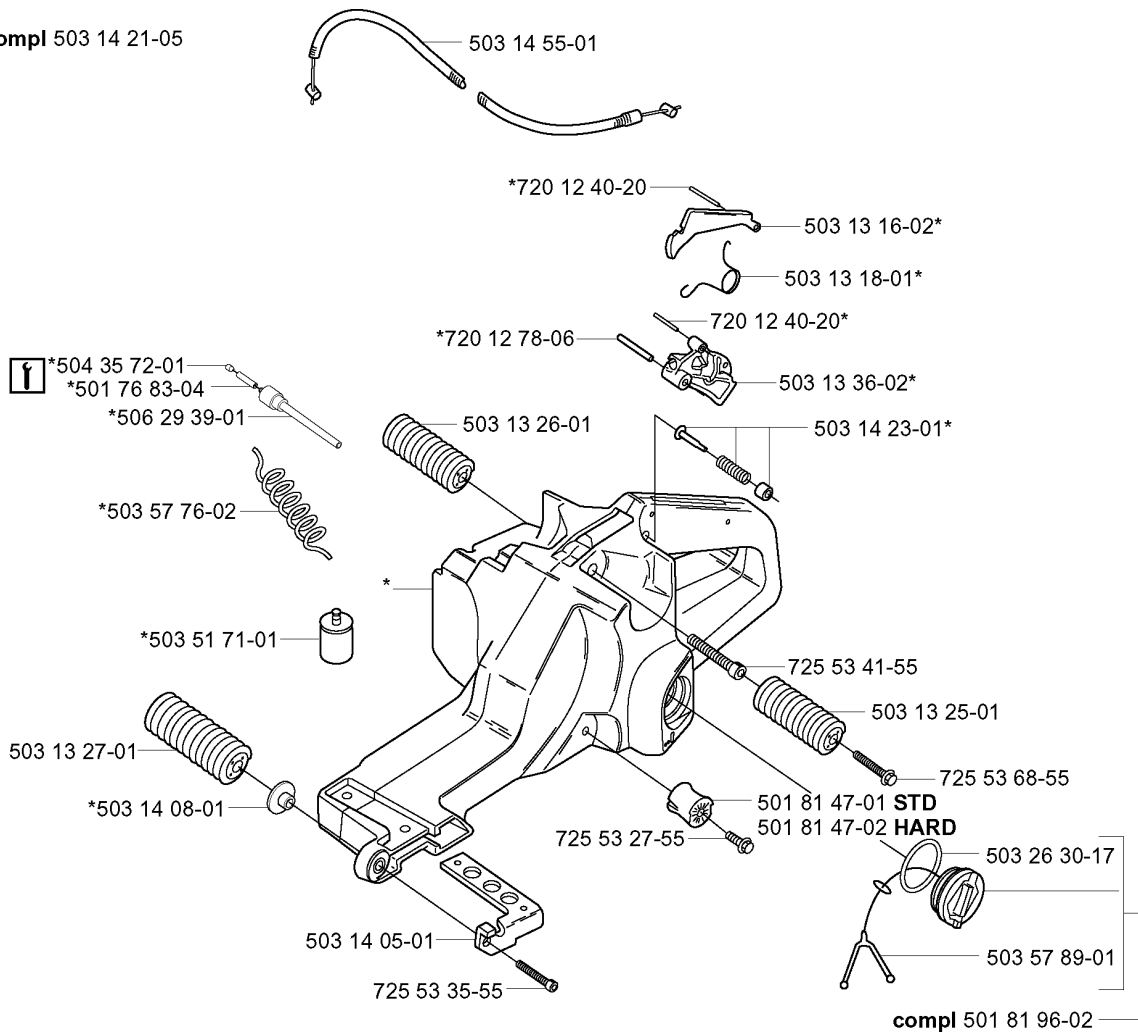


HANDLE

3120, 20013500001-Current

Part No	Description	Remark	QTY KIT
503 13 86-02	HANDLE WRAP AROUND ASSY		1
503 13 87-01	SPACER		1
503 20 02-10	SCREW IHSCFM		1
503 21 05-25	SCREW IHST		2
725 53 74-55	SCREW IHSCM		2

E *compl 503 14 21-05

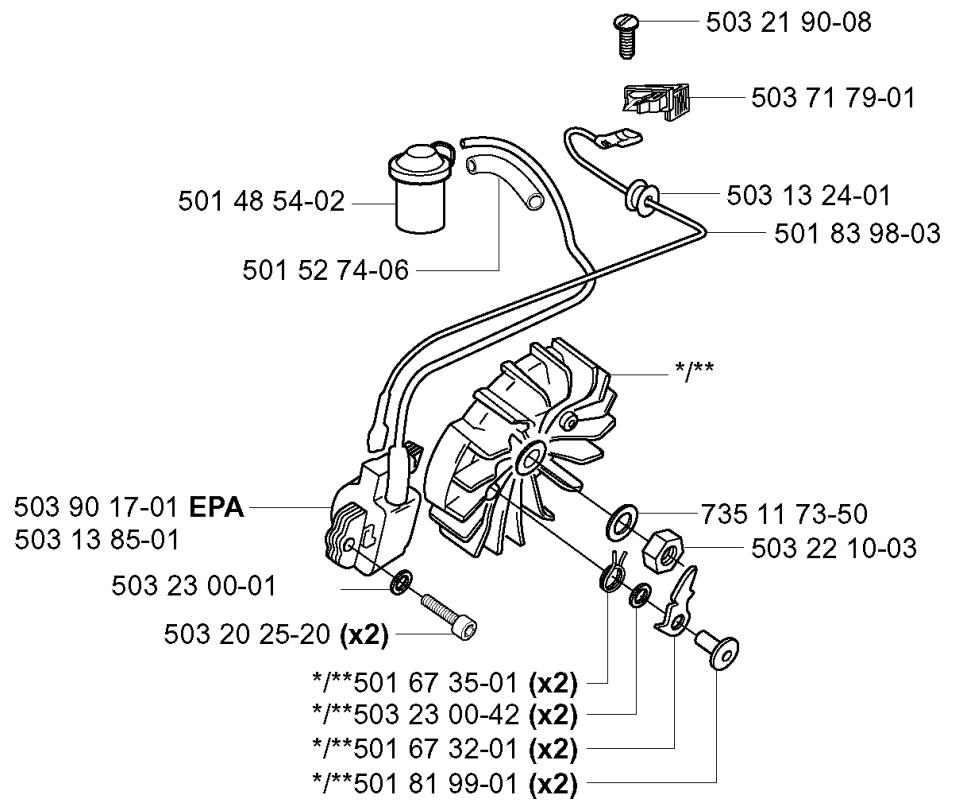


FUEL TANK

3120, 20013500001-Current

Part No	Description	Remark	QTY KIT
501 76 83-04	FUEL HOSE		1
501 81 47-01	ANTIVIBRATION ELEMENT	STD	1
501 81 47-02	ANTIVIBRATION ELEMENT	HARD	1
501 81 96-02	TANK CAP ASSY		1
503 13 16-02	THROTTLE LOCKOUT		1
503 13 18-01	SPRING		1
503 13 25-01	ANTIVIBRATION ELEMENT		1
503 13 26-01	ANTIVIBRATION ELEMENT		1
503 13 27-01	ANTIVIBRATION ELEMENT		1
503 13 36-02	THROTTLE CONTROL ASSY		1
503 14 05-01	BRACKET		1
503 14 08-01	BUSHING		1
503 14 21-05	TANK UNIT ASSY		1
503 14 23-01	PIN		1
503 14 55-01	THROTTLE CABLE ASSY		1
503 26 30-17	O-RING		1
503 51 71-01	FUEL FILTER		1
503 57 76-02	FUEL HOSE		1
503 57 89-01	HOLDER		1
504 35 72-01	PLUG		1
506 29 39-01	TANK VENT		1
720 12 40-20	PARALLEL PIN		1
720 12 40-20	PARALLEL PIN		1
720 12 78-06	PARALLEL PIN		1
725 53 27-55	SCREW IHSCM		1
725 53 35-55	SCREW IHSCM		1
725 53 41-55	SCREW IHSCM		1
725 53 68-55	SCREW IHSCM		1

M *compl 501 89 50-01
 **compl 501 89 50-02 EPA

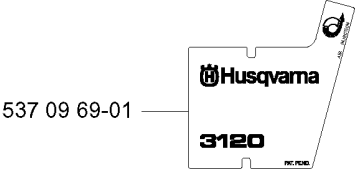
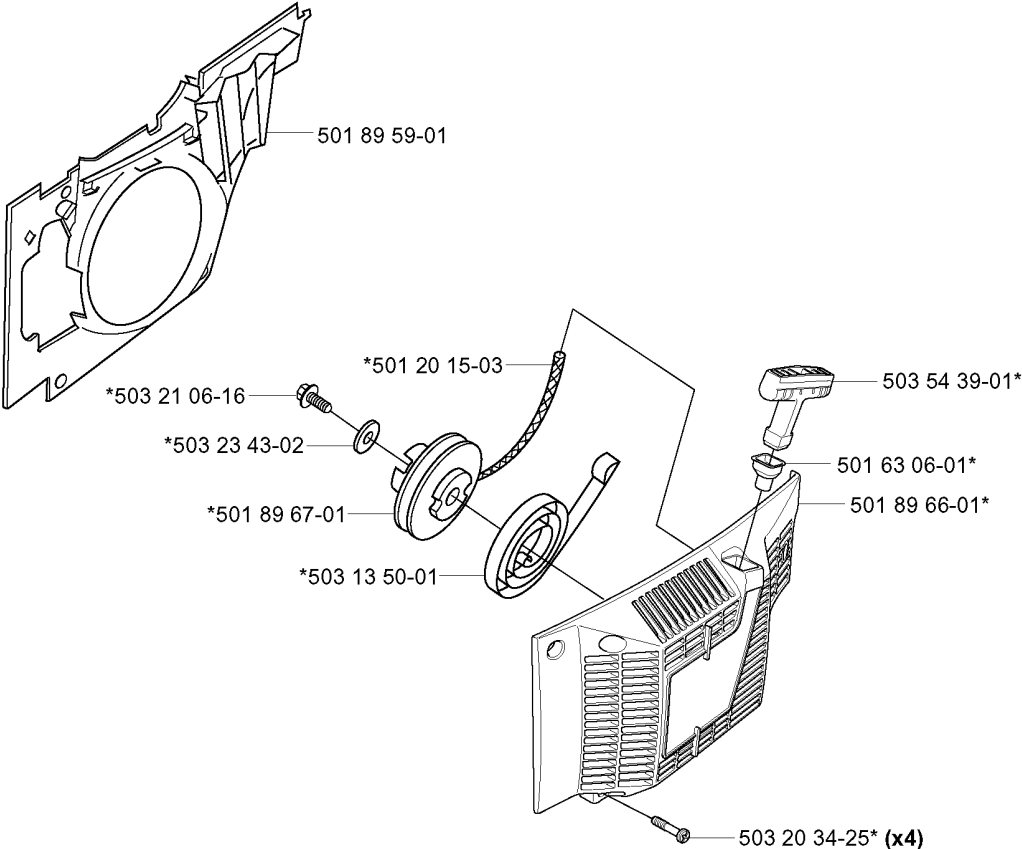


IGNITION SYSTEM

3120, 20013500001-Current

Part No	Description	Remark	QTY KIT
501 48 54-02	SPARK PLUG CAP		1
501 52 74-06	RUBBER HOSE		1
501 67 32-01	PAWL		2
501 67 35-01	SPRING		2
501 81 99-01	SCREW		2
501 83 98-03	CABLE		1
501 89 50-01	FLYWHEEL ASSY		1
501 89 50-02	FLYWHEEL ASSY	EPA	1
503 13 24-01	CABLE GROMMET		1
503 13 85-01	ELECTRONIC MODULE		1
503 20 25-20	SCREW IHSCM		2
503 21 90-08	SCREW CCRPANM		1
503 22 10-03	HEXAGON NUT		1
503 23 00-01	WASHER		1
503 23 00-42	WASHER		2
503 71 79-01	STOP SWITCH		1
503 90 17-01	ELECTRONIC MODULE	EPA	1
735 11 73-50	SPRING WASHER		1

N *compl 501 89 65-02



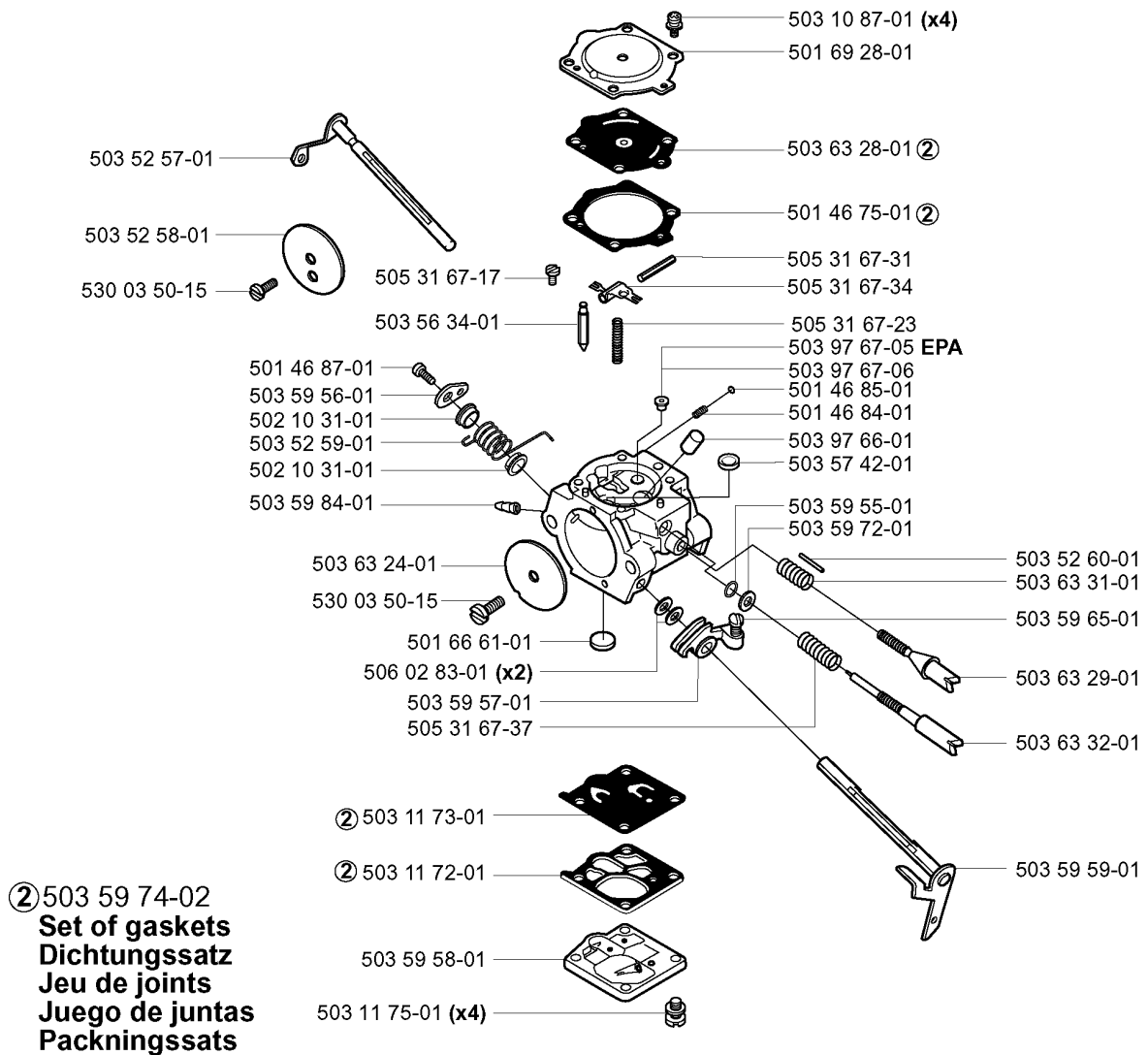
STARTER

3120, 20013500001-Current

Part No	Description	Remark	QTY KIT
501 20 15-03	STARTER CORD		1
501 63 06-01	SLEEVE		1
501 89 59-01	LEDSKENA		1
501 89 65-02	STARTER ASSY		1
501 89 66-01	STARTER HOUSING		1
501 89 67-01	STARTER PULLEY		1
503 13 50-01	RECOIL SPRING		1
503 20 34-25	SCREW CCRPANMO		4
503 21 06-16	SCREW IHSCT		1
503 23 43-02	WASHER		1
503 54 39-01	STARTER HANDLE		1
537 09 69-01	LABEL		1

P compl 503 28 12-18
 compl 503 28 12-16 EPA

**Walbro WG 8
 Walbro WG 7 EPA**



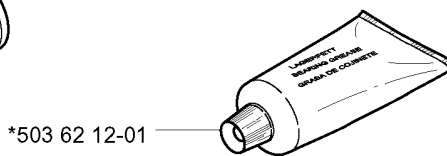
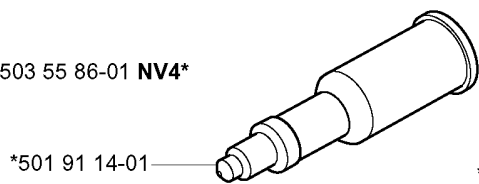
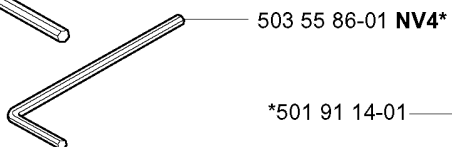
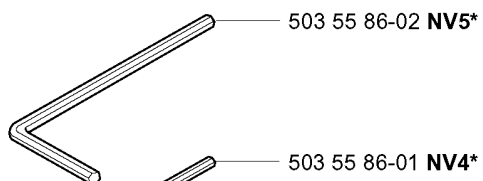
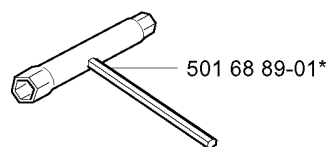
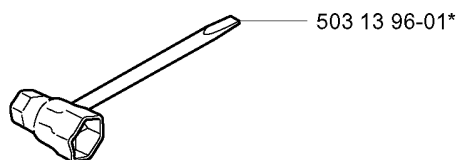
CARBURETOR DETAILS

3120, 20013500001-Current

Part No	Description	Remark	QTY KIT
501 46 75-01	GASKET	503 59 74-02 SET OF GASKETS	1
501 46 84-01	SPRING		1
501 46 85-01	BALL		1
501 46 87-01	SCREW		1
501 66 61-01	SCREEN		1
501 69 28-01	COVER		1
502 10 31-01	BUSHING		1
502 10 31-01	BUSHING		1
503 10 87-01	SCREW		4
503 11 72-01	GASKET	503 59 74-02 SET OF GASKETS	1
503 11 73-01	DIAPHRAGM PUMP	503 59 74-02 SET OF GASKETS	1
503 11 75-01	SCREW		4
503 28 12-16	CARBURETTOR	EPA	1
503 28 12-18	CARBURETTOR		1
503 52 57-01	SHAFT ASSY		1
503 52 58-01	VALVE CHOKE		1
503 52 59-01	SPRING THROTT RETURN		1
503 52 60-01	PIN THROTTLE STOP		1
503 56 34-01	NEEDLE VALVE		1
503 57 42-01	PLUG		1
503 59 55-01	O-RING		1
503 59 56-01	LEVER		1
503 59 57-01	LEVER		1
503 59 58-01	COVER		1
503 59 59-01	SHAFT ASSY		1
503 59 65-01	SCREW		1
503 59 72-01	WASHER		1
503 59 84-01	FITTING		1
503 63 24-01	VALVE THROTTLE		1
503 63 28-01	DIAPHRAGM ASSY	503 59 74-02 SET OF GASKETS	1
503 63 29-01	SCREW IDLE SPEED		1
503 63 31-01	SPRING		1
503 63 32-01	NEEDLE IDLE SPEED		1
503 97 66-01	NOZZLE ASSY		1
503 97 67-05	JET	EPA	1
503 97 67-06	JET		1
505 31 67-17	SCREW		1
505 31 67-23	SPRING		1
505 31 67-31	PIN		1
505 31 67-34	LEVER		1
505 31 67-37	SPRING		1
506 02 83-01	WASHER		2
530 03 50-15	SCREW		1
530 03 50-15	SCREW		1

S Accessories
Zubehöre
Accessories
Accesorios
Tillbehör

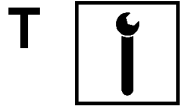
*compl 503 55 85-02



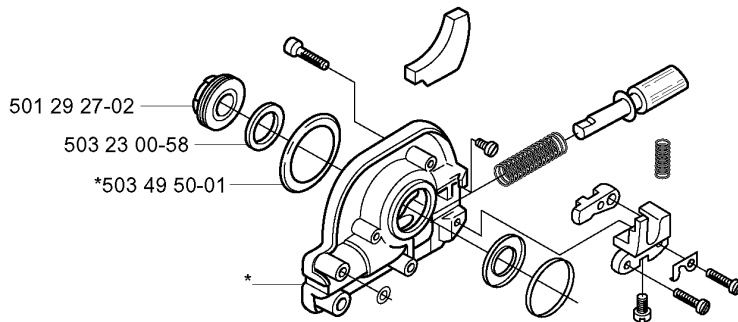
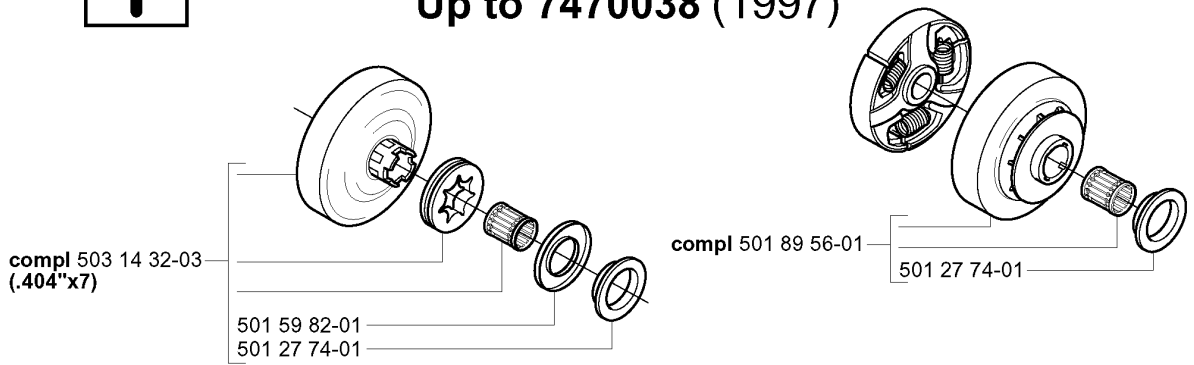
ACCESSORIES

3120, 20013500001-Current

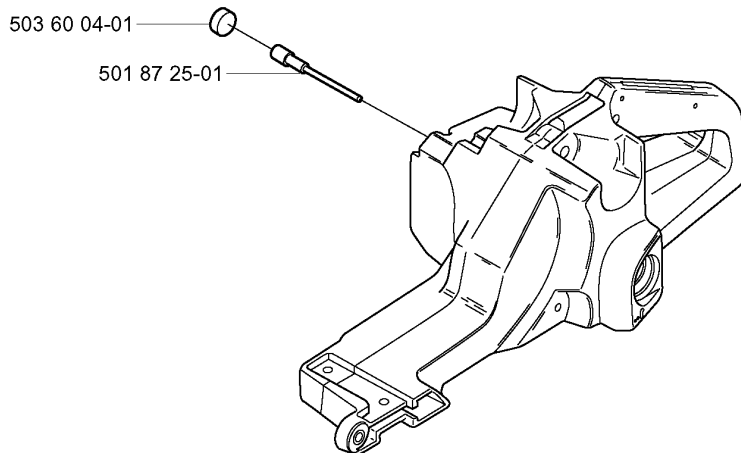
Part No	Description	Remark	QTY KIT
501 68 89-01	COMBINATION WRENCH		1
501 91 14-01	GREASE GUN		1
503 13 96-01	COMBINATION WRENCH		1
503 55 85-02	TOOL KIT		1
503 55 86-01	SPANNER	NV4	1
503 55 86-02	SPANNER	NV5	1
503 62 12-01	GREASE		1



Up to 7470038 (1997)



Up to 993100062 (1999)



SERVICE UPDATES

3120, 20013500001-Current

Ref	Part No	Description	Remark	QTY KIT
503 14 32-03	503 14 32-03	CLUTCH DRUM	.404X7	1
501 59 82-01	501 59 82-01	SEALING		1
501 27 74-01	501 27 74-01	V-RING		1
501 29 27-02	501 29 27-02	GEAR WHEEL ASSY		1
503 23 00-58	503 23 00-58	WASHER		1
503 49 50-01	503 49 50-01	DUST COVER		1
501 27 74-01	501 27 74-01	V-RING		1
501 89 56-01	501 89 56-01	CLUTCH DRUM ASSY		1
503 6	503 60 04-01	FILTER PLUG		1
501 8	501 87 25-01	TANK VENT		1