

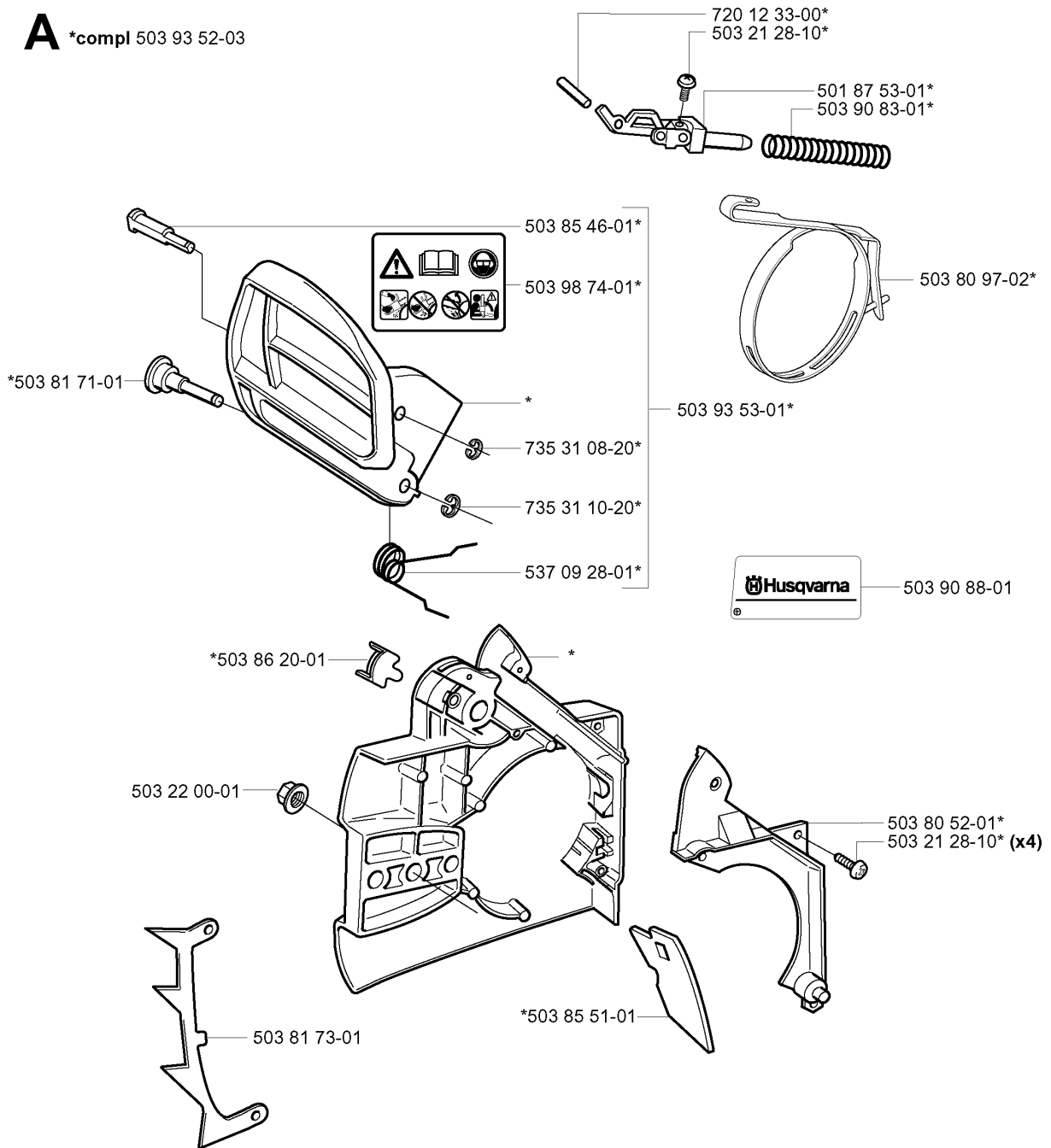


SPARE PARTS LIST

CHAIN SAWS

335 XPT, 20011800001-Current

A *compl 503 93 52-03

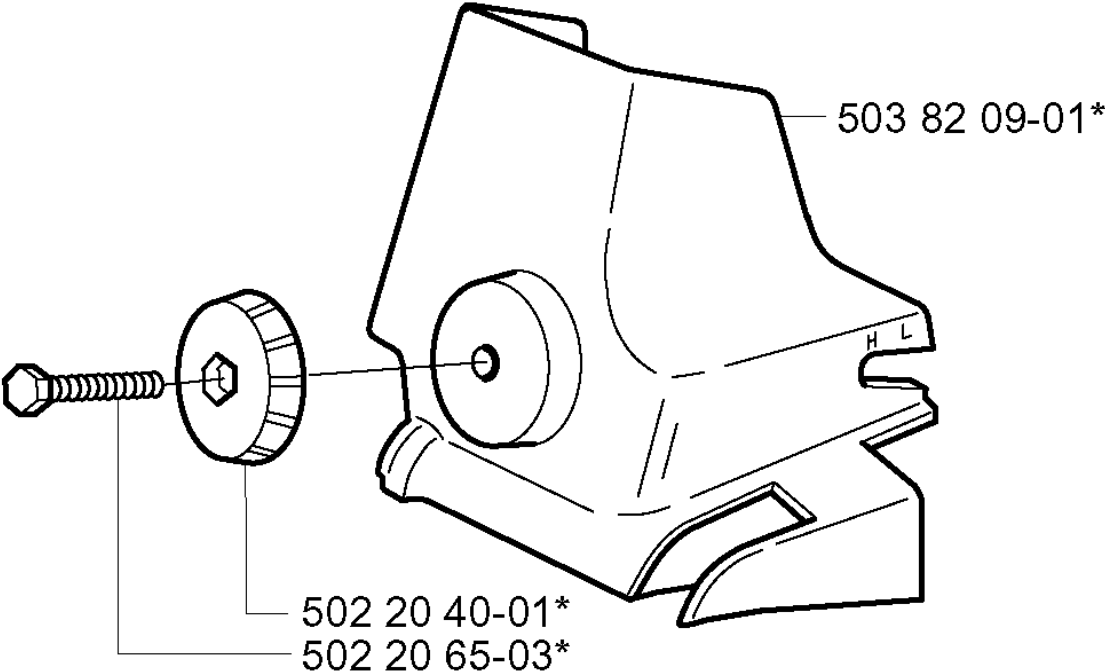


CHAIN BRAKE

335 XPT, 20011800001-Current

Part No	Description	Remark	QTY KIT
501 87 53-01	KNEE JOINT ASSY		1
503 21 28-10	SCREW CCRPANT		1
503 21 28-10	SCREW CCRPANT		4
503 22 00-01	HEXAGON NUT		1
503 80 52-01	HUB CAP		1
503 80 97-02	BRAKE BAND ASSY		1
503 81 71-01	SHAFT PIVOT		1
503 81 73-01	SPIKE		1
503 85 46-01	PIVOT PIN		1
503 85 51-01	CHIP GUARD		1
503 86 20-01	SPRING GUIDE		1
503 90 83-01	BRAKE SPRING		1
503 90 88-01	LABEL		1
503 93 52-03	BRAKE ASSY		1
503 93 53-01	HAND GUARD ASSY		1
503 98 74-01	LABEL		1
537 09 28-01	POSITION SPRING		1
720 12 33-00	PARALLEL PIN		1
735 31 08-20	E-CLIP		1
735 31 10-20	E-CLIP		1

B *compl 503 79 26-01

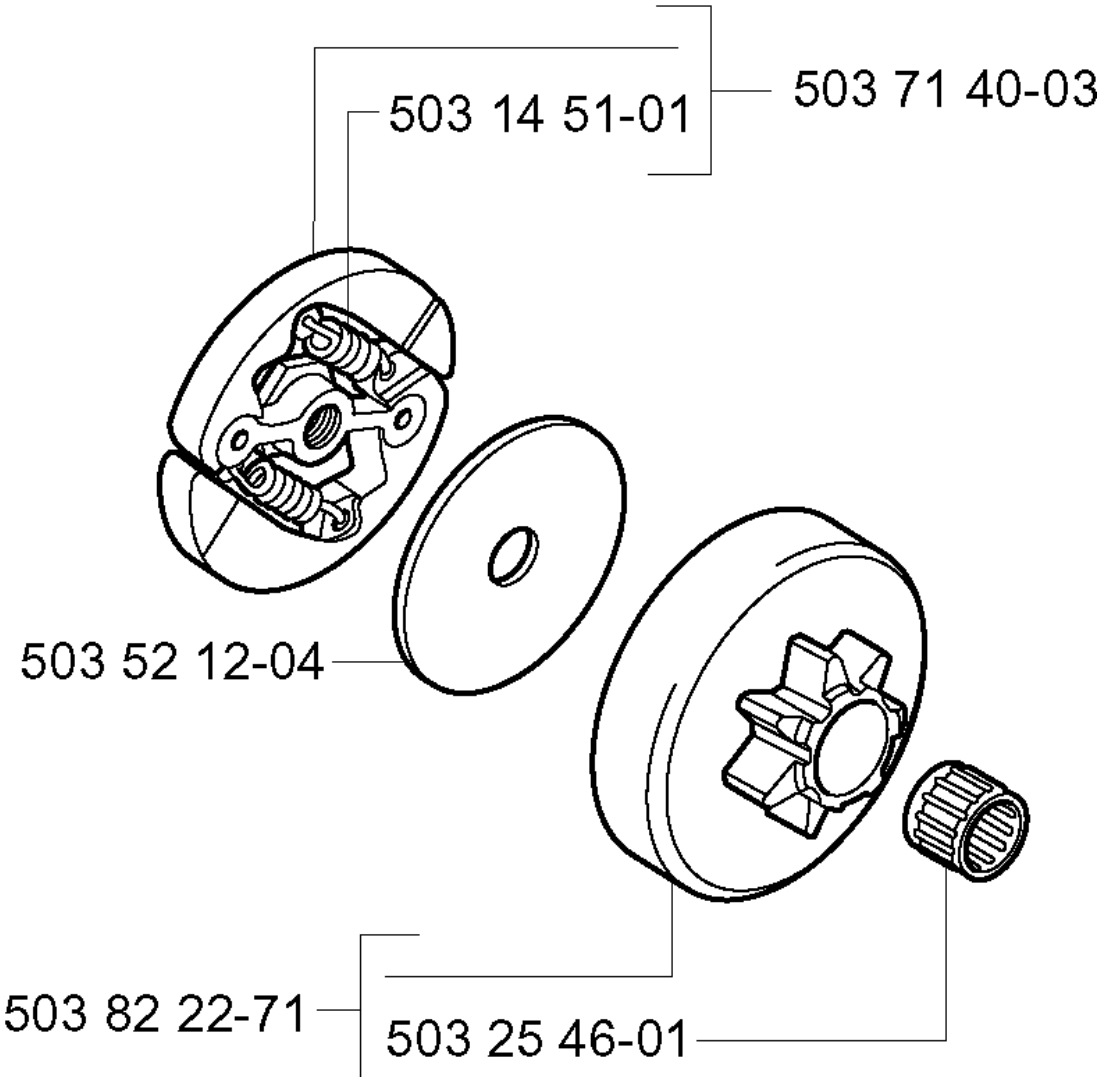


AIR FILTER COVER

335 XPT, 20011800001-Current

Part No	Description	Remark	QTY KIT
502 20 40-01	KNOB		1
502 20 65-03	SCREW EHHM		1
503 79 26-01	AIR FILTER COVER		1
503 82 09-01	AIR FILTER COVER		1

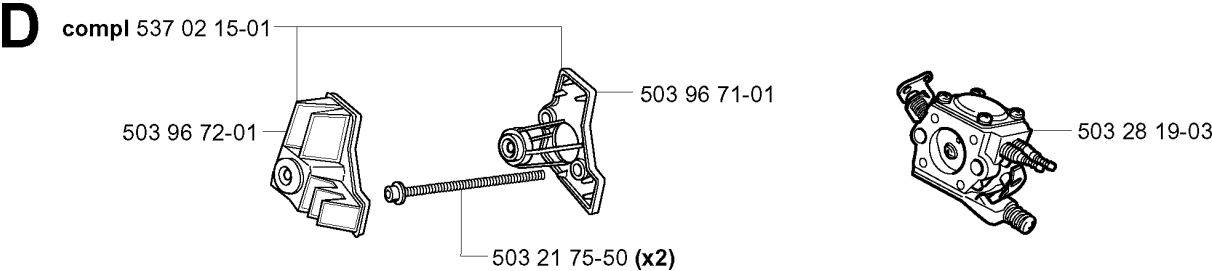
C



CLUTCH

335 XPT, 20011800001-Current

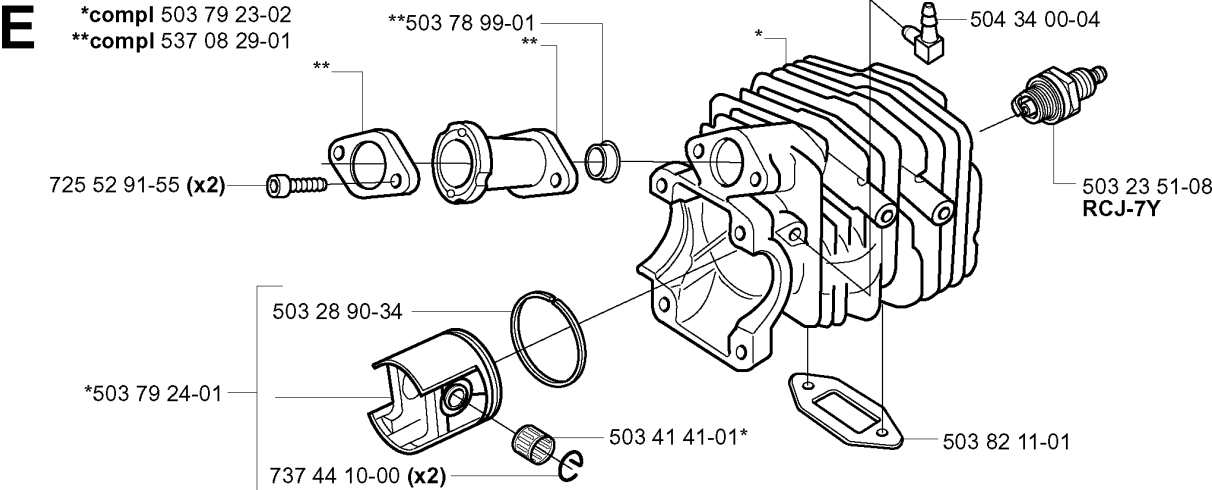
Part No	Description	Remark	QTY KIT
503 14 51-01	CLUTCH SPRING		1
503 25 46-01	NEEDLE BEARING		1
503 52 12-04	WASHER		1
503 71 40-03	CLUTCH ASSY		1
503 82 22-71	CLUTCH DRUM ASSY		1



CARBURETOR

335 XPT, 20011800001-Current

Part No	Description	Remark	QTY KIT
503 21 75-50	SCREW IHSCFT		2
503 28 19-03	CARBURETTOR		1
503 96 71-01	AIR FILTER BOTTOM		1
503 96 72-01	AIR FILTER		1
537 02 15-01	AIR FILTER ASSY		1

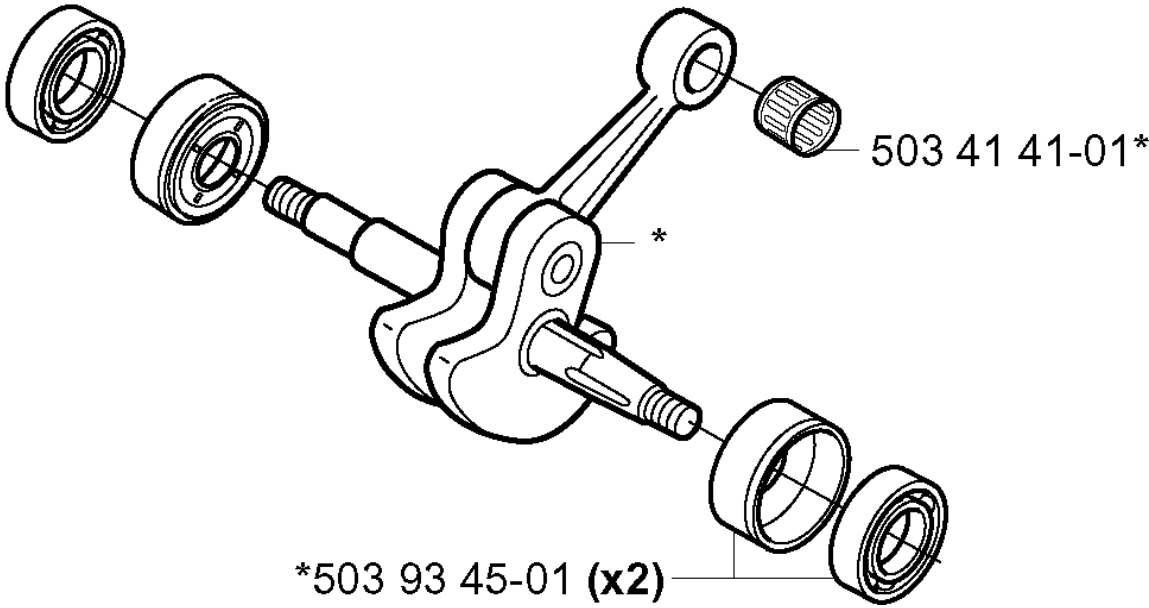


CYLINDER PISTON

335 XPT, 20011800001-Current

Part No	Description	Remark	QTY KIT
503 23 51-08	SPARK PLUG	RCJ-7Y	1
503 28 90-34	PISTON RING		1
503 41 41-01	NEEDLE BEARING		1
503 78 99-01	SUPPORT SLEEVE		1
503 79 23-02	CYLINDER ASSY		1
503 79 24-01	PISTON ASSY		1
503 82 11-01	GASKET		1
504 34 00-04	FITTING		1
537 08 29-01	KIT		1
725 52 91-55	SCREW IHSCM		2
737 44 10-00	SNAP RING		2

F *compl 503 84 53-71



CRANKSHAFT

335 XPT, 20011800001-Current

Part No	Description	Remark	QTY KIT
503 41 41-01	NEEDLE BEARING		1
503 84 53-71	CRANKSHAFT ASSY		1
503 93 45-01	BEARING CAGE		2

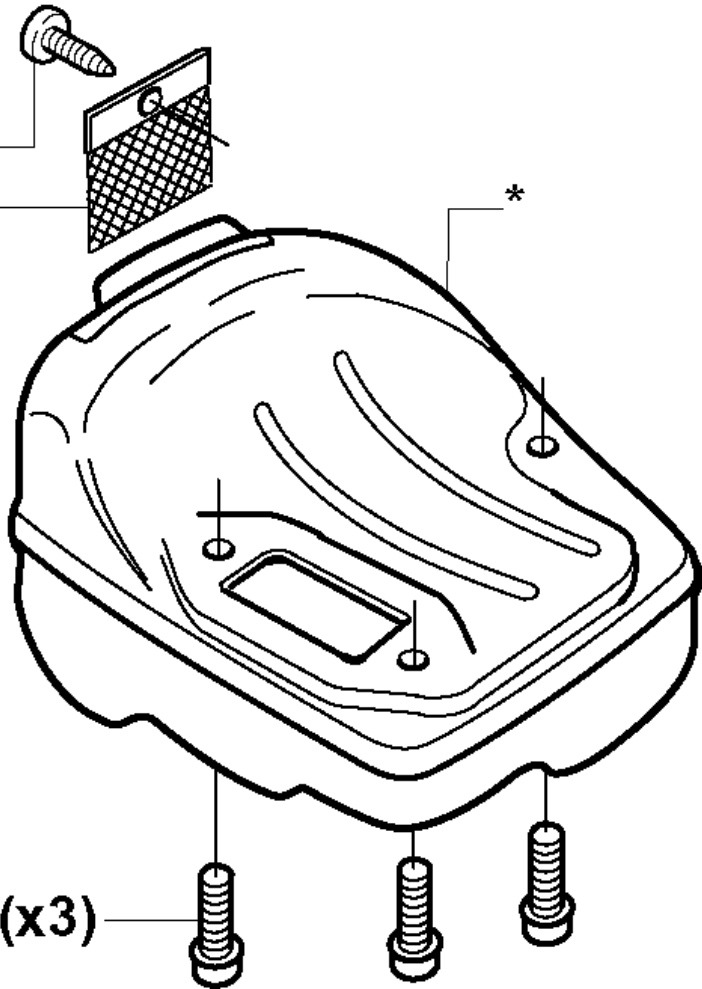
G

***compl 503 93 03-01**

*724 12 87-59

*503 82 17-01

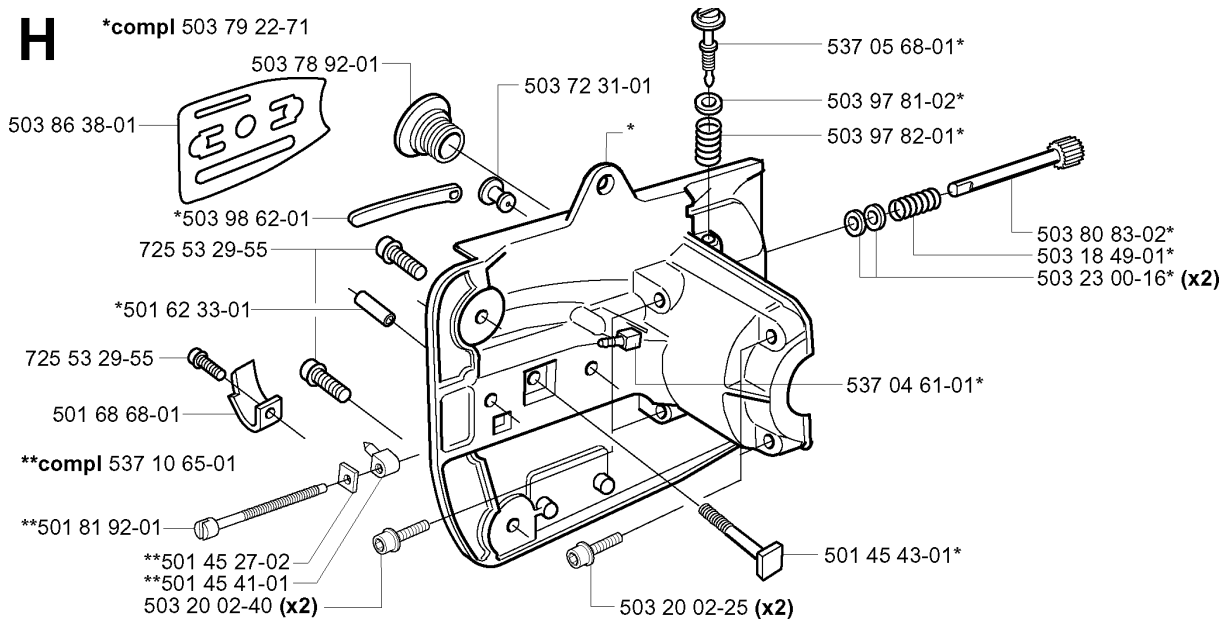
503 20 02-16 (x3)



MUFFLER

335 XPT, 20011800001-Current

Part No	Description	Remark	QTY KIT
503 20 02-16	SCREW IHSCFM		3
503 82 17-01	SPARK ARRESTER SCREEN		1
503 93 03-01	MUFFLER ASSY		1
724 12 87-59	SCREW CRPANM		1

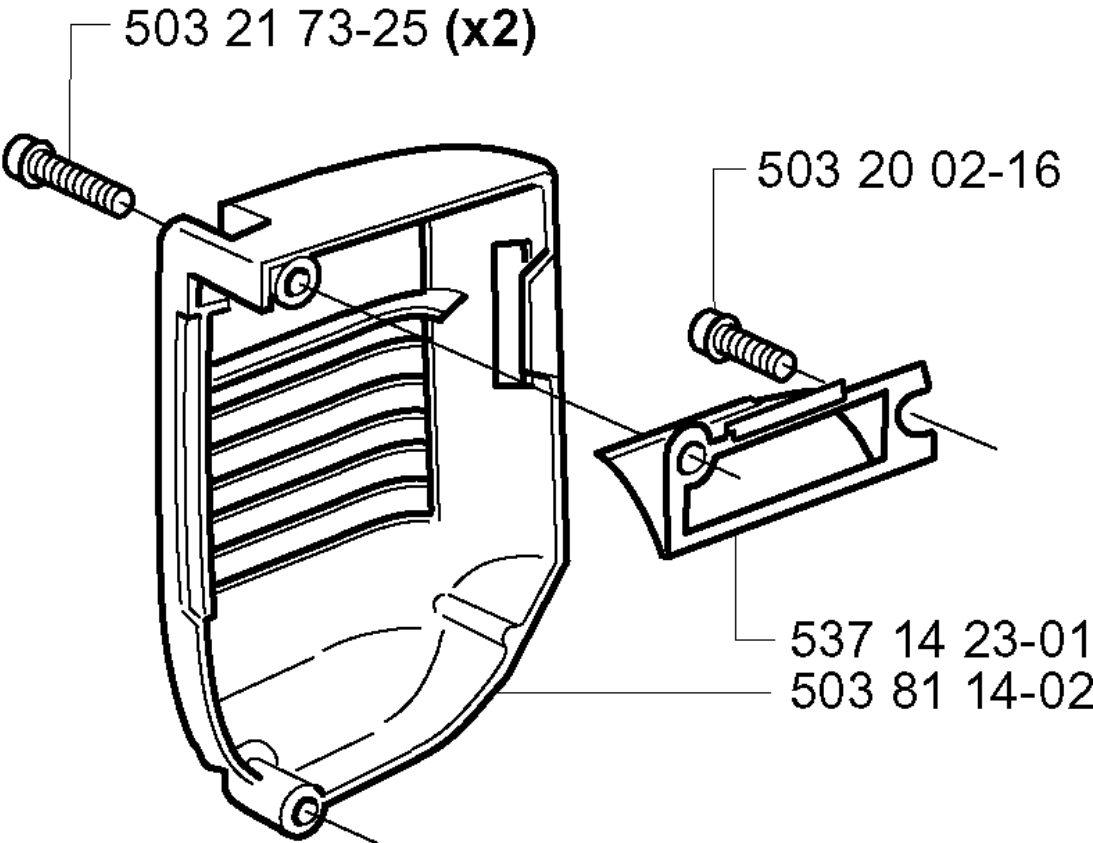


CRANKCASE

335 XPT, 2001180001-Current

Part No	Description	Remark	QTY KIT
501 45 27-02	LOCK NUT		1
501 45 41-01	NUT		1
501 45 43-01	BAR BOLT		1
501 62 33-01	SPRING PIN		1
501 68 68-01	CHAIN CATCHER		1
501 81 92-01	SCREW		1
503 18 49-01	SPRING		1
503 20 02-25	SCREW IHSCFM		2
503 20 02-40	SCREW IHSCFM		2
503 23 00-16	WASHER		2
503 72 31-01	BUSHING		1
503 78 92-01	PUMP PINION		1
503 79 22-71	CRANKCASE ASSY		1
503 80 83-02	PUMP PISTON		1
503 86 38-01	COVER PLATE		1
503 97 81-02	STOP WASHER		1
503 97 82-01	SPRING		1
503 98 62-01	SEALING		1
537 04 61-01	NIPPLE		1
537 05 68-01	ADJUSTER		1
537 10 65-01	ADJUSTMENT SCREW		1
725 53 29-55	SCREW IHSCM		1
725 53 29-55	SCREW IHSCM		1

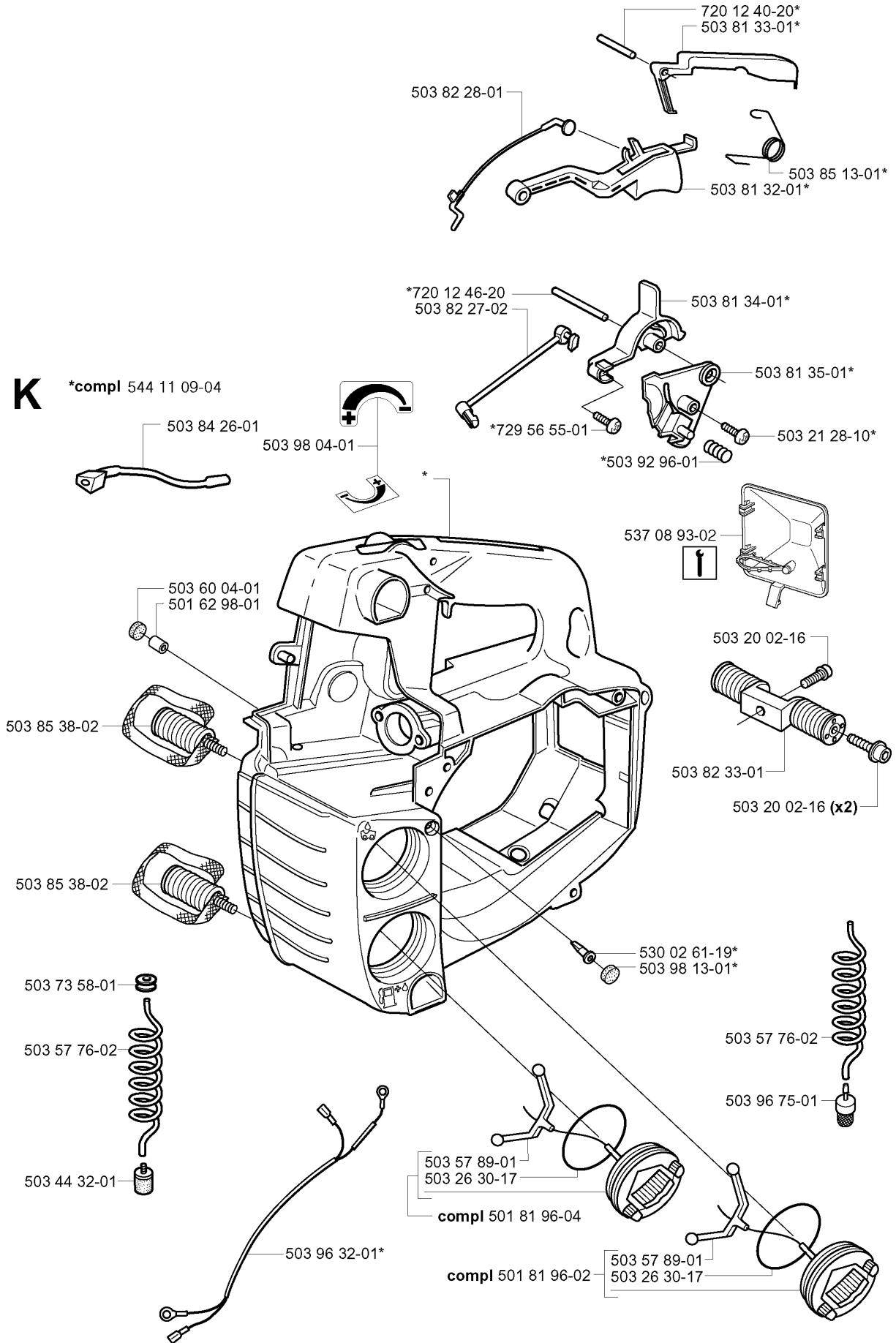
J



MUFFLER COVER

335 XPT, 20011800001-Current

Part No	Description	Remark	QTY KIT
503 20 02-16	SCREW IHSCFM		1
503 21 73-25	SCREW CIHSCTO		2
503 81 14-02	MUFFLER COVER		1
537 14 23-01	EXHAUST DUCT		1

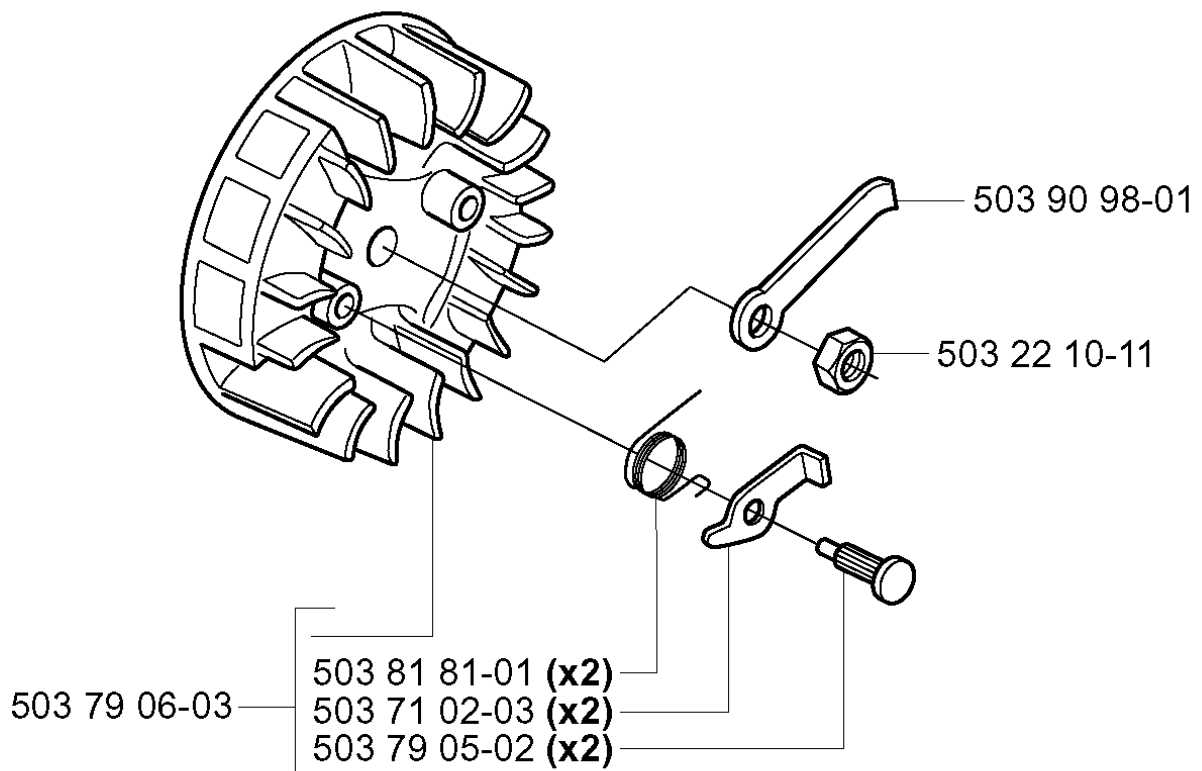
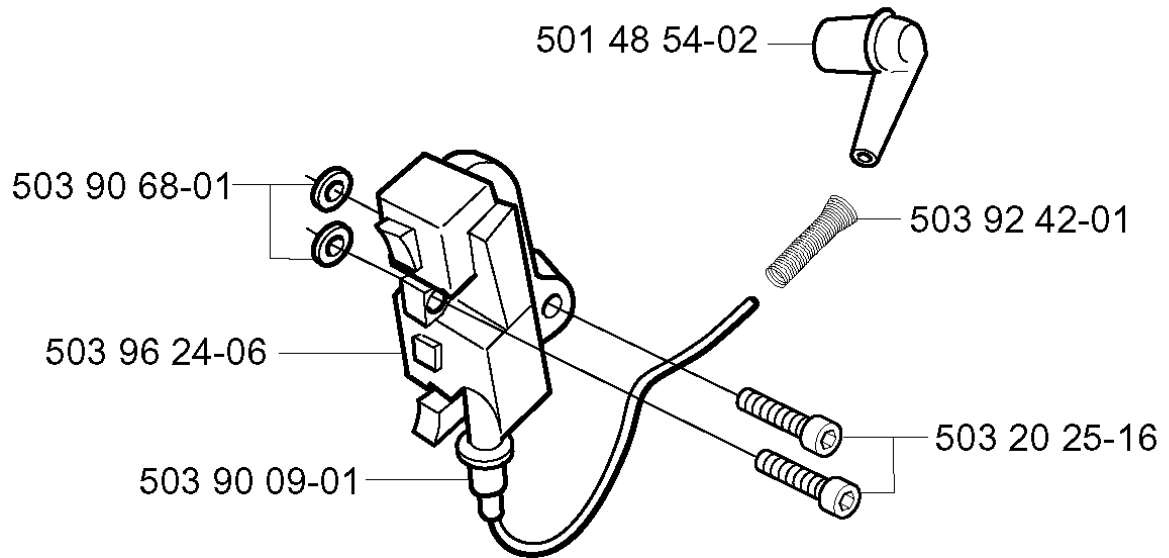


FUEL TANK & HANDLE

335 XPT, 20011800001-Current

Part No	Description	Remark	QTY KIT
501 62 98-01	VALVE PLUG		1
501 81 96-02	TANK CAP ASSY		1
501 81 96-04	TANK CAP ASSY		1
503 20 02-16	SCREW IHSCFM		1
503 20 02-16	SCREW IHSCFM		2
503 21 28-10	SCREW CCRPANT		1
503 26 30-17	O-RING		1
503 26 30-17	O-RING		1
503 44 32-01	FUEL FILTER		1
503 57 76-02	FUEL HOSE		1
503 57 76-02	FUEL HOSE		1
503 57 89-01	HOLDER		1
503 57 89-01	HOLDER		1
503 60 04-01	FILTER PLUG		1
503 73 58-01	BUSHING		1
503 81 32-01	THROTTLE TRIGGER		1
503 81 33-01	THROTTLE LOCKOUT		1
503 81 34-01	CHOKE		1
503 81 35-01	PLATE		1
503 82 27-02	CHOKE ROD		1
503 82 28-01	THROTTLE ROD		1
503 82 33-01	ANTIVIBRATION ELEMENT		1
503 84 26-01	IMPULSE HOSE		1
503 85 13-01	SPRING		1
503 85 38-02	ANTIVIBRATION ELEMENT		1
503 85 38-02	ANTIVIBRATION ELEMENT		1
503 92 96-01	SPRING		1
503 96 32-01	WIRING ASSY		1
503 96 75-01	OIL PLUMMET		1
503 98 04-01	SYMBOL		1
503 98 13-01	PLUG		1
530 02 61-19	CHECK VALVE		1
537 08 93-02	COVER		1
544 11 09-04	TANK UNIT ASSY		1
720 12 40-20	PARALLEL PIN		1
720 12 46-20	PARALLEL PIN		1
729 56 55-01	SCREW CCRPANT		1

L

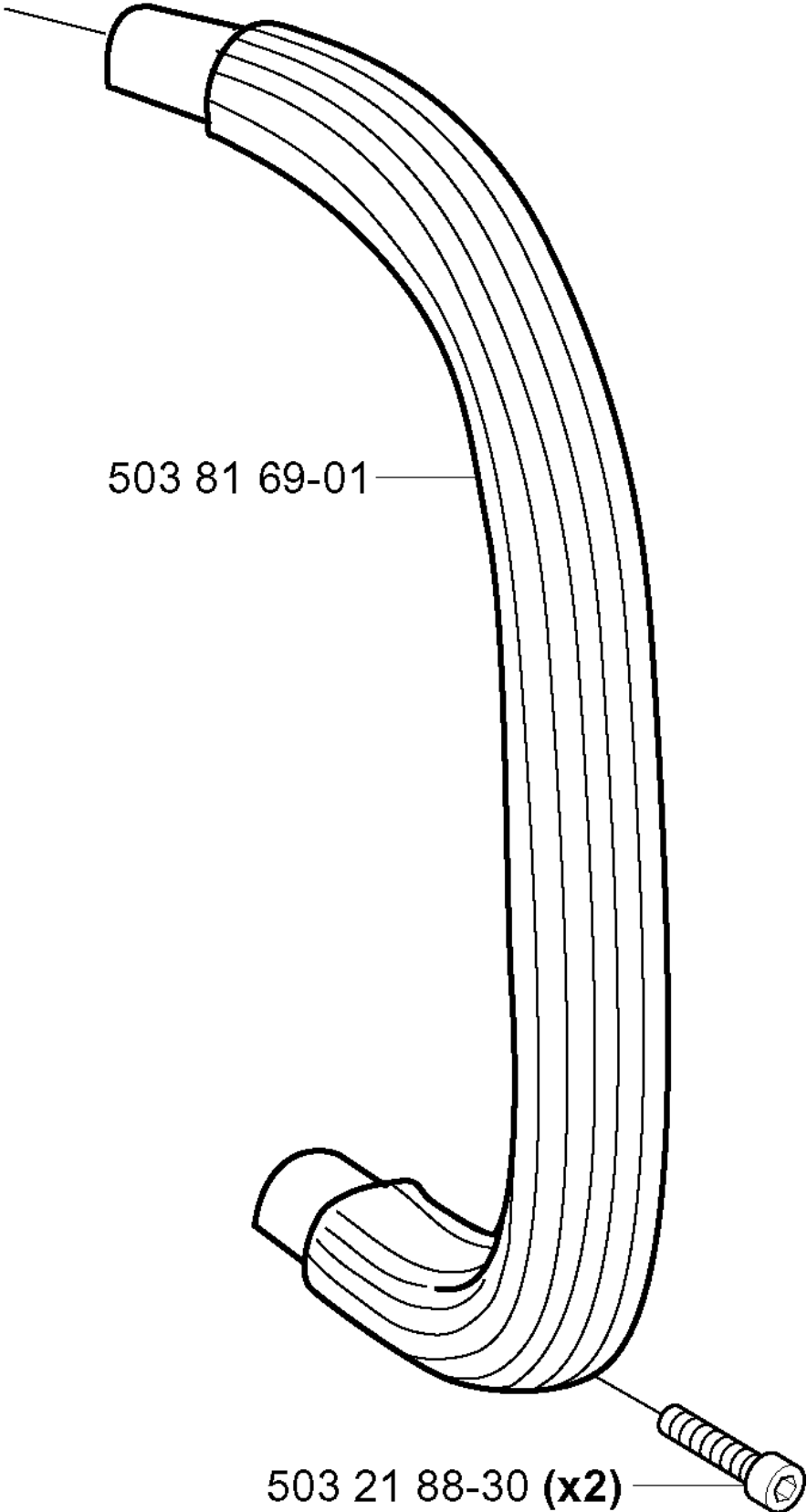


IGNITION SYSTEM

335 XPT, 20011800001-Current

Part No	Description	Remark	QTY KIT
501 48 54-02	SPARK PLUG CAP		1
503 20 25-16	SCREW IHSCM		1
503 22 10-11	HEXAGON NUT		1
503 71 02-03	STARTER PAWL		2
503 79 05-02	RIVET		2
503 79 06-03	FLYWHEEL		1
503 81 81-01	SPRING		2
503 90 09-01	GUIDE		1
503 90 68-01	WASHER		1
503 90 98-01	COUNTERWEIGHT		1
503 92 42-01	CABLE COVER		1
503 96 24-06	ELECTRONIC MODULE		1

M

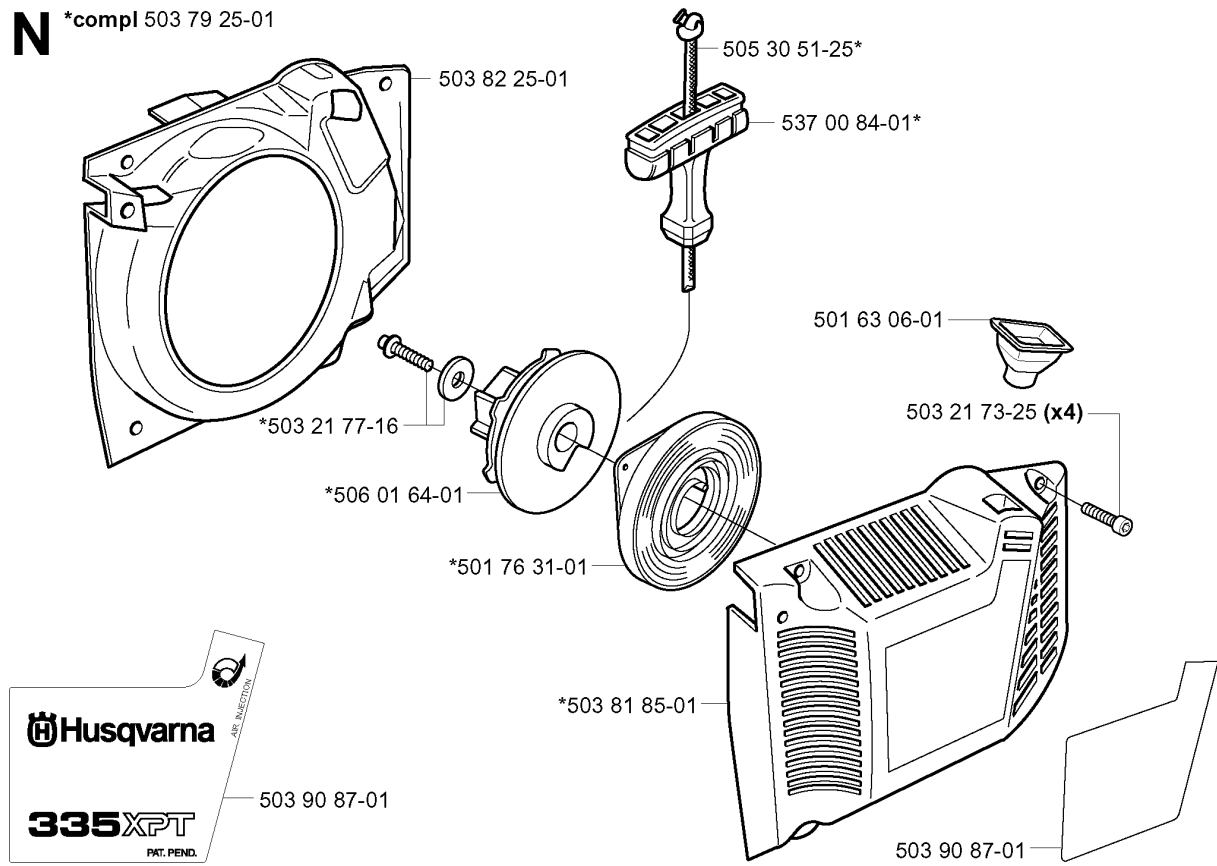


HANDLE

335 XPT, 20011800001-Current

Part No	Description	Remark	QTY KIT
503 21 88-30	SCREW IH SCT		2
503 81 69-01	FRONT HANDLE		1

N *compl 503 79 25-01



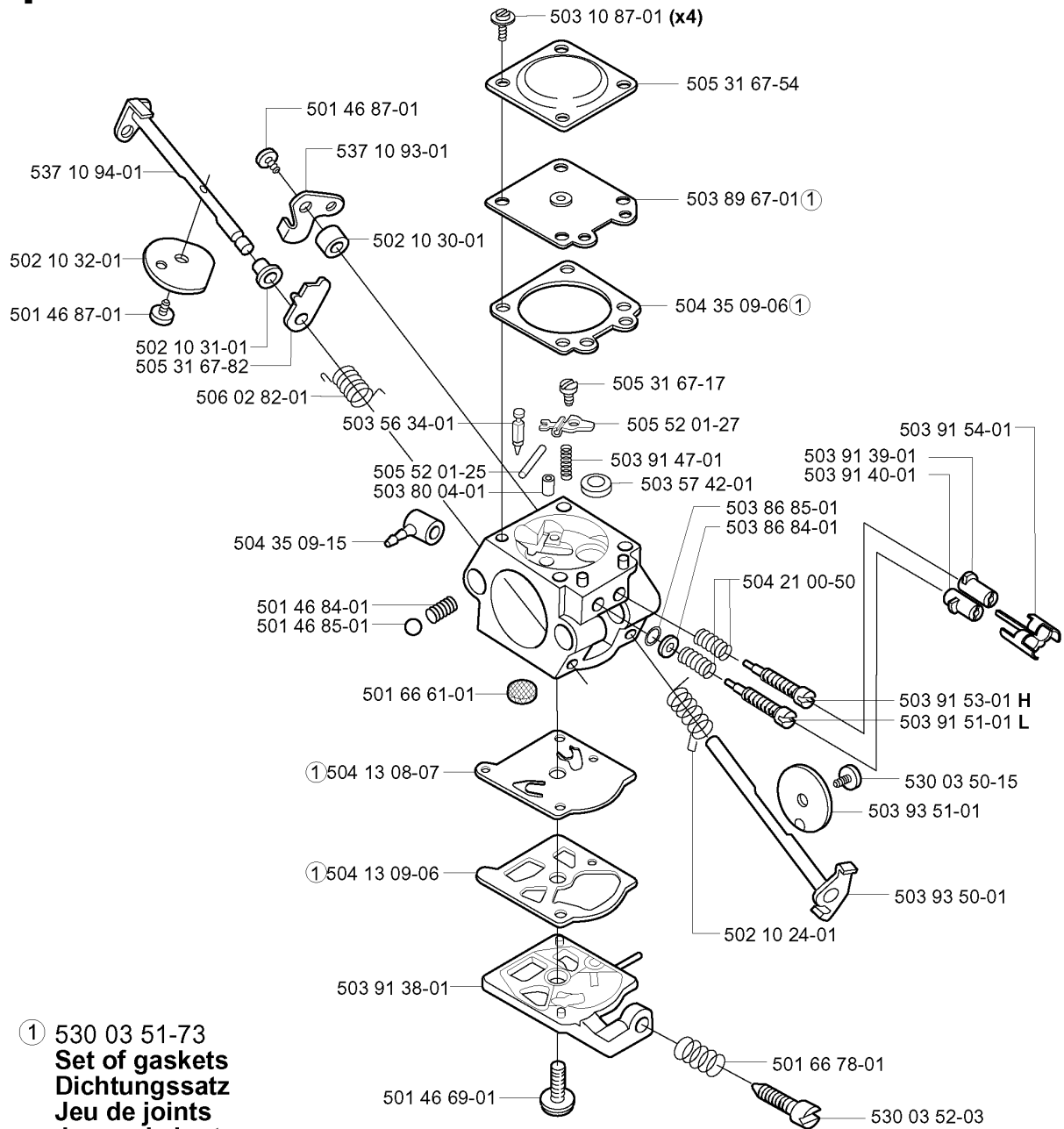
STARTER

335 XPT, 20011800001-Current

Part No	Description	Remark	QTY KIT
501 63 06-01	SLEEVE		1
501 76 31-01	SPRING CASSETTE ASSY		1
503 21 73-25	SCREW CIHSCTO		4
503 21 77-16	SCREW IHSCT		1
503 79 25-01	STARTER ASSY		1
503 81 85-01	STARTER HOUSING		1
503 82 25-01	BAR		1
503 90 87-01	LABEL		1
503 90 87-01	LABEL		1
505 30 51-25	STARTER CORD		1
506 01 64-01	STARTER PULLEY		1
537 00 84-01	STARTER HANDLE		1

P compl 503 28 19-03

Walbro WT 582



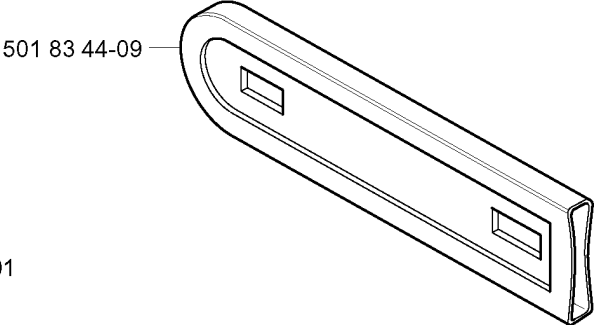
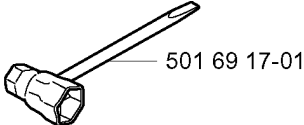
① 530 03 51-73
Set of gaskets
Dichtungssatz
Jeu de joints
Juego de juntas
Packningssats

CARBURETOR DETAILS

335 XPT, 20011800001-Current

Part No	Description	Remark	QTY KIT
501 46 69-01	SCREW		1
501 46 84-01	SPRING		1
501 46 85-01	BALL		1
501 46 87-01	SCREW		1
501 46 87-01	SCREW		1
501 66 61-01	SCREEN		1
501 66 78-01	SPRING		1
502 10 24-01	SPRING		1
502 10 30-01	DISTANCE		1
502 10 31-01	BUSHING		1
502 10 32-01	CHOKE SKIVA		1
503 10 87-01	SCREW		4
503 28 19-03	CARBURETTOR		1
503 56 34-01	NEEDLE VALVE		1
503 57 42-01	PLUG		1
503 80 04-01	NOZZLE		1
503 86 84-01	WASHER		1
503 86 85-01	O-RING		1
503 89 67-01	DIAPHRAGM	530 03 51-73 SET OF GASKETS	1
503 91 38-01	COVER		1
503 91 39-01	LIMITER CAP		1
503 91 40-01	LIMITER CAP		1
503 91 47-01	SPRING		1
503 91 51-01	NEEDLE	L	1
503 91 53-01	NEEDLE	H	1
503 91 54-01	RETAINER		1
503 93 50-01	SHAFT ASSY		1
503 93 51-01	VALVE		1
504 13 08-07	DIAPHRAGM PUMP	530 03 51-73 SET OF GASKETS	1
504 13 09-06	GASKET	530 03 51-73 SET OF GASKETS	1
504 21 00-50	SPRING		1
504 35 09-06	GASKET	530 03 51-73 SET OF GASKETS	1
504 35 09-15	FITTING		1
505 31 67-17	SCREW		1
505 31 67-54	LOCK STYRMEMBRAN		1
505 31 67-82	LEVER		1
505 52 01-25	PIN		1
505 52 01-27	LEVER		1
506 02 82-01	SPRING		1
530 03 50-15	SCREW		1
530 03 52-03	SCREW		1
537 10 93-01	LEVER		1
537 10 94-01	SHAFT ASSY		1

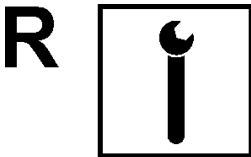
Q Accessories
Zubehöre
Accessoires
Acessorios
Tillbehör



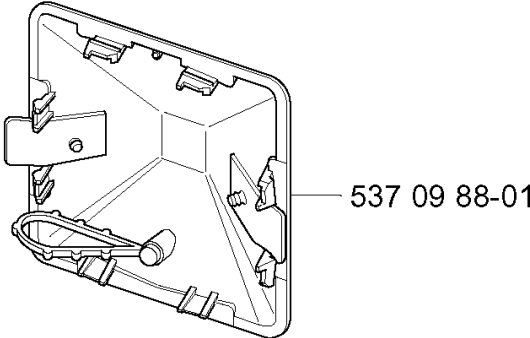
ACCESSORIES

335 XPT, 20011800001-Current

Part No	Description	Remark	QTY KIT
501 69 17-01	COMBINATION WRENCH		1
501 83 44-09	BAR COVER		1



**Up to:
-001200207**



SERVICE UPDATES

335 XPT, 20011800001-Current

Part No	Description	Remark	QTY KIT
537 09 88-01	SPARK PLUG COVER ASS		1