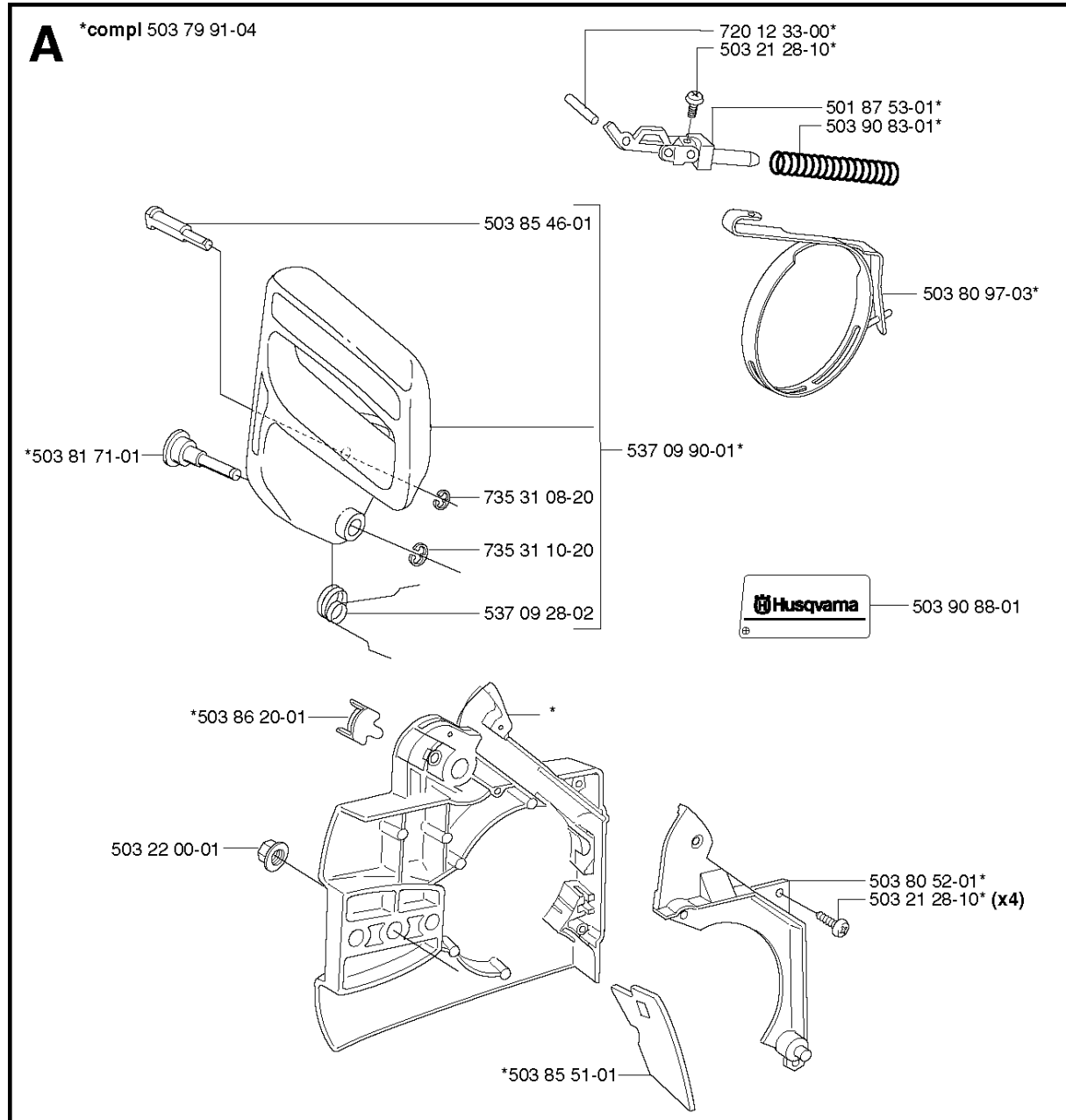




SPARE PARTS LIST

CHAIN SAWS

336, 20063600001-Current

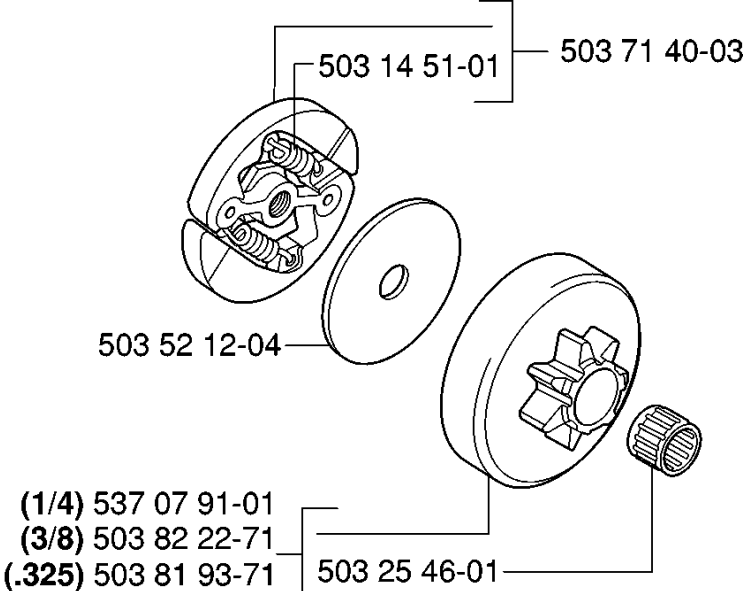


CHAIN BRAKE & CLUTCH COVER

336, 20063600001-Current

Part No	Description	Remark	QTY KIT
501 87 53-01	KNEE JOINT ASSY		1
503 21 28-10	SCREW CCRPANT		1
503 21 28-10	SCREW CCRPANT		2
503 22 00-01	HEXAGON NUT		1
503 79 91-04	CHAIN BRAKE ASSY		1
503 80 52-01	HUB CAP		1
503 80 97-03	BRAKE BAND ASSY		1
503 81 71-01	SHAFT PIVOT		1
503 85 46-01	PIVOT PIN		4
503 85 51-01	CHIP GUARD		1
503 86 20-01	SPRING GUIDE		1
503 90 83-01	BRAKE SPRING		1
503 90 88-01	LABEL		1
537 09 28-02	POSITION SPRING		1
537 09 90-01	HAND GUARD		1
720 12 33-00	PARALLEL PIN		1
735 31 08-20	E-CLIP		1
735 31 10-20	E-CLIP		1

B

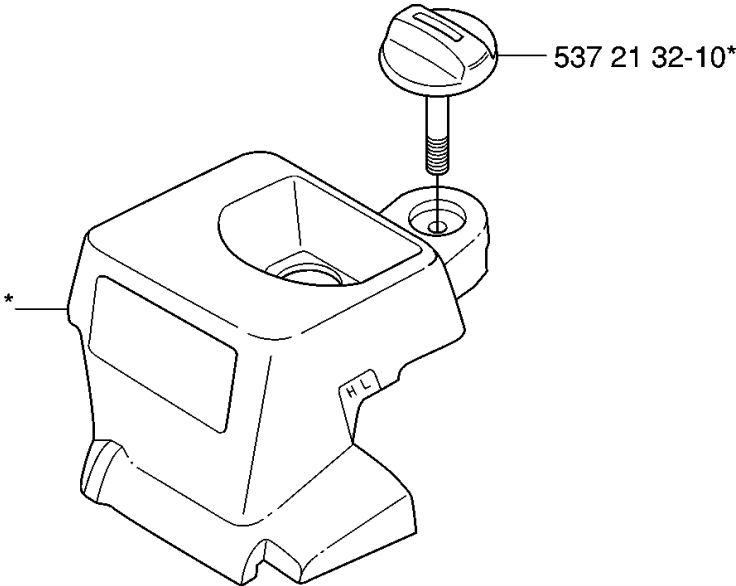


CLUTCH

336, 20063600001-Current

Part No	Description	Remark	QTY KIT
503 14 51-01	CLUTCH SPRING		1
503 25 46-01	NEEDLE BEARING		1
503 52 12-04	WASHER		1
503 71 40-03	CLUTCH ASSY		1
503 81 93-71	CLUTCH DRUM	.325	1
503 82 22-71	CLUTCH DRUM ASSY	3/8	1
537 07 91-01	CLUTCH DRUM	1/4	1

C *compl 537 13 59-04

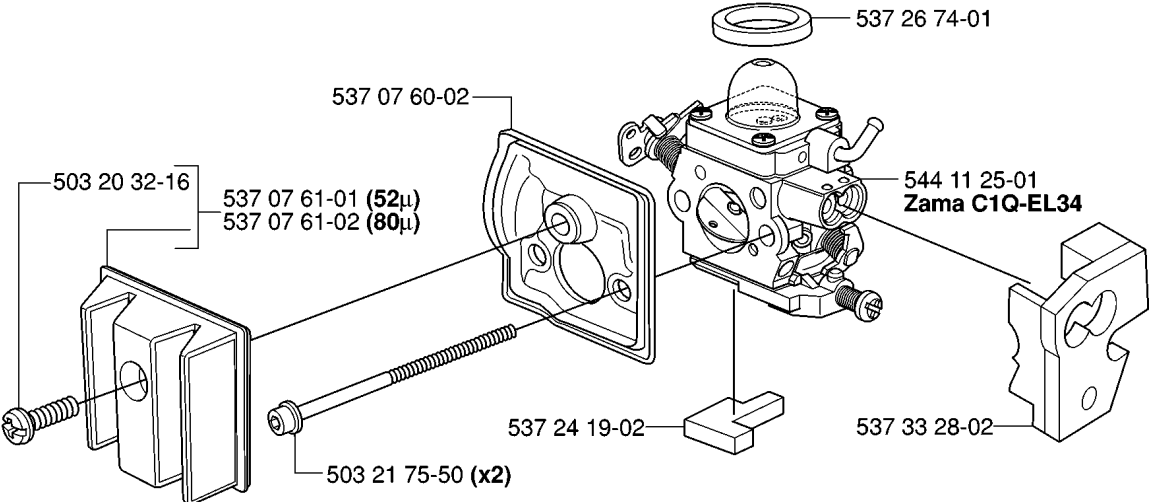


FILTER COVER

336, 20063600001-Current

Part No	Description	Remark	QTY KIT
537 13 59-04	FILTER COVER		1
537 21 32-10	KNOB		1

D

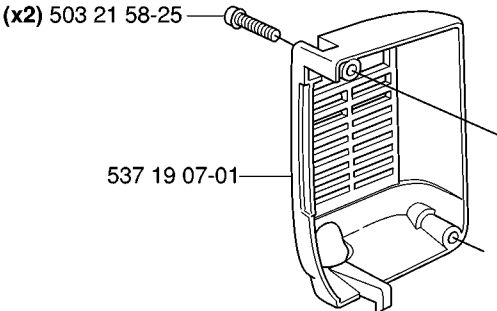
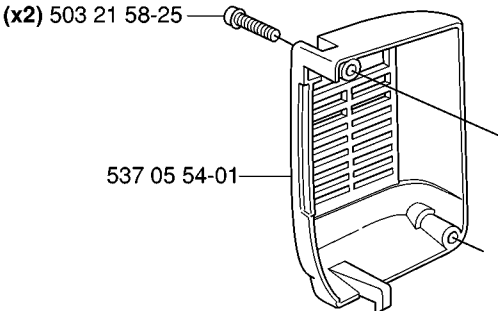


CARBURETOR & AIR FILTER

336, 20063600001-Current

Part No	Description	Remark	QTY KIT
503 20 32-16	SCREW CCRPANMO		1
503 21 75-50	SCREW IHSCFT		2
537 07 60-02	AIR FILTER BOTTOM		1
537 07 61-01	AIR FILTER		1
537 07 61-02	AIR FILTER		1
537 24 19-02	SEALING		1
537 26 74-01	SEALING		1
537 33 28-02	SEALING		1
544 11 25-01	CARBURETTOR		1

E

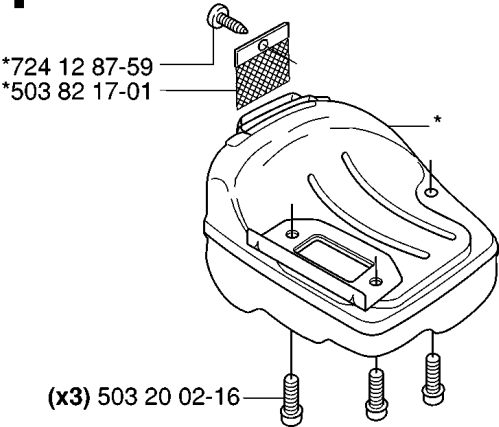


MUFFLER COVER

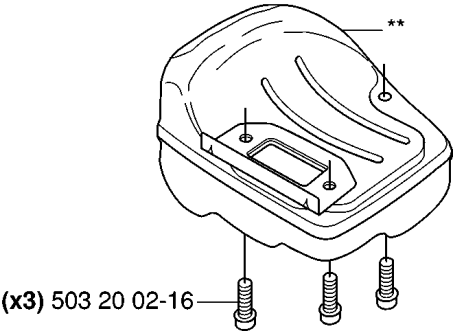
336, 20063600001-Current

Part No	Description	Remark	QTY KIT
503 21 58-25	SCREW		2
503 21 58-25	SCREW		2
537 05 54-01	MUFFLER COVER		1
537 19 07-01	MUFFLER COVER		1

F *compl 503 93 03-03



**compl 537 19 50-01

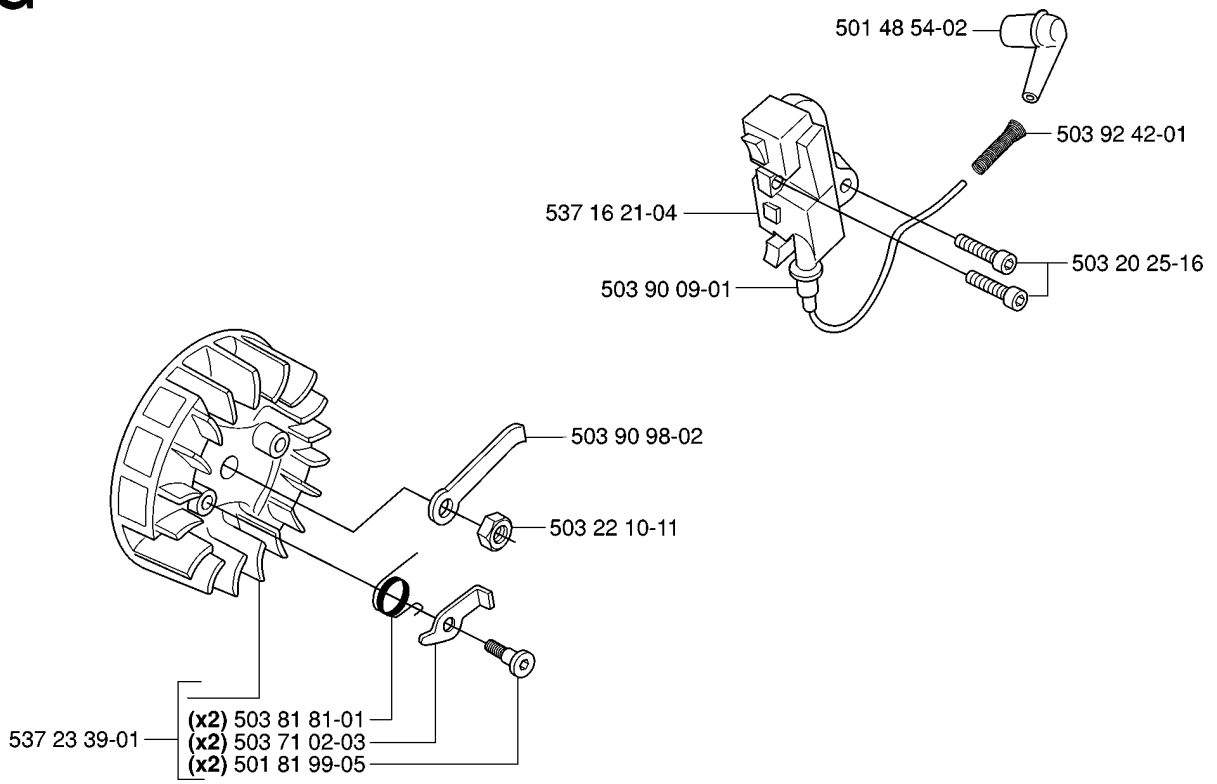


MUFFLER

336, 20063600001-Current

Part No	Description	Remark	QTY KIT
503 20 02-16	SCREW IHSCFM		3
503 20 02-16	SCREW IHSCFM		3
503 82 17-01	SPARK ARRESTER SCREEN		1
503 93 03-03	MUFFLER ASSY		1
537 19 50-01	MUFFLER ASSY		1
724 12 87-59	SCREW CRPANM		1

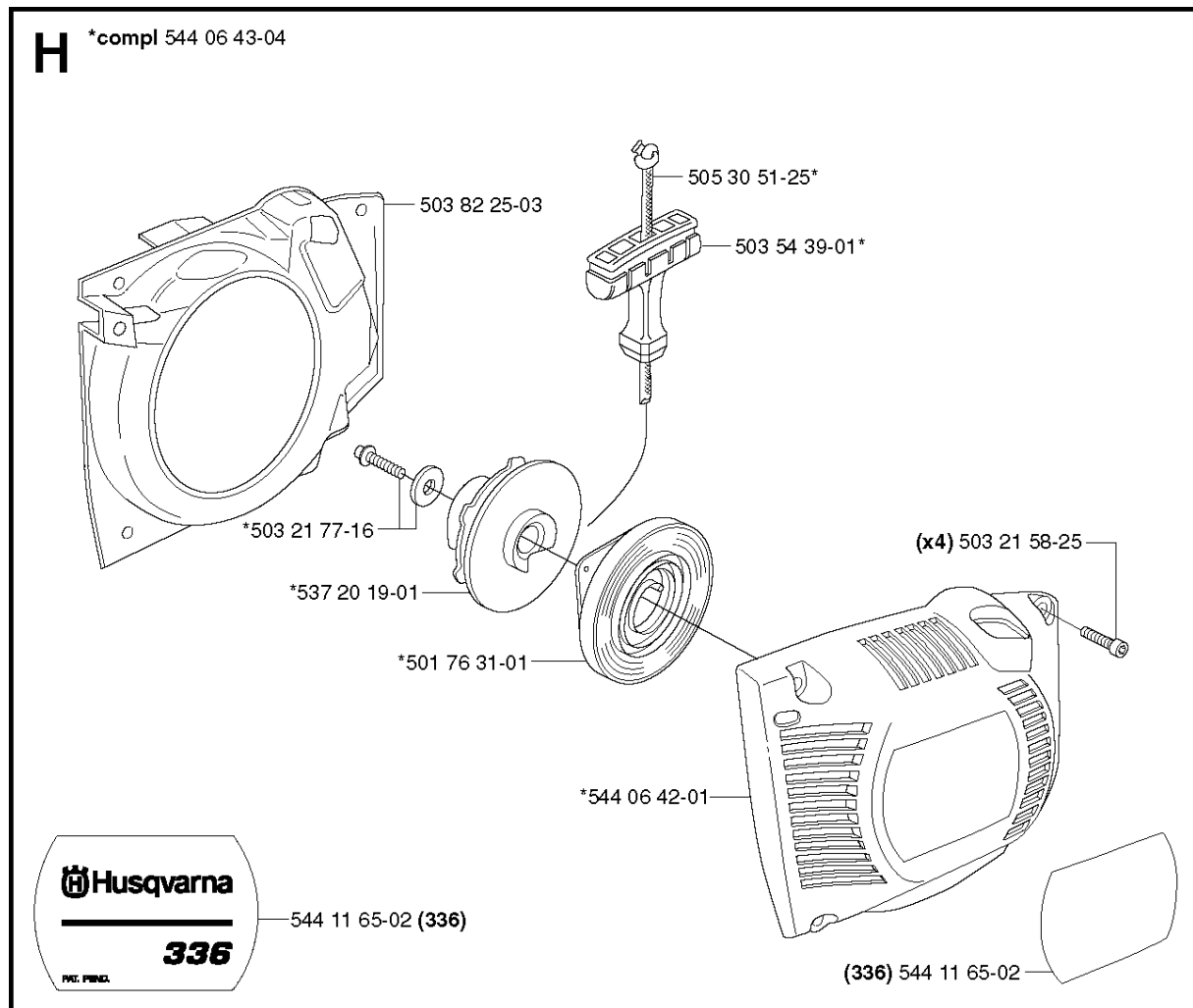
G



IGNITION SYSTEM

336, 20063600001-Current

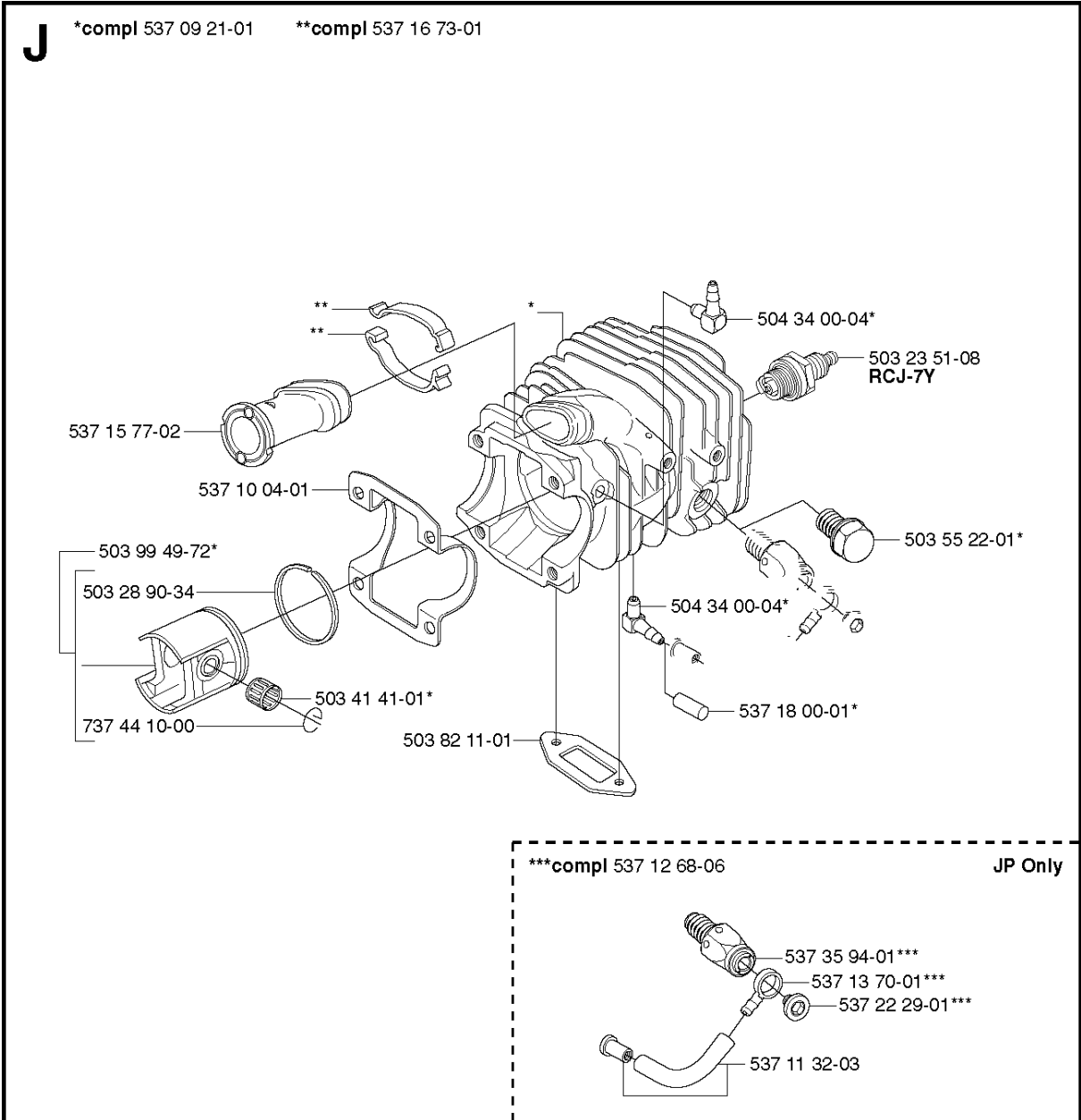
Part No	Description	Remark	QTY KIT
501 48 54-02	SPARK PLUG CAP		1
501 81 99-05	SCREW		2
503 20 25-16	SCREW IHSCM		1
503 22 10-11	HEXAGON NUT		1
503 71 02-03	STARTER PAWL		2
503 81 81-01	SPRING		2
503 90 09-01	GUIDE		1
503 90 98-02	COUNTERWEIGHT		1
503 92 42-01	CABLE COVER		1
537 16 21-04	IGNITION SYSTEM		1
537 23 39-01	FLYWHEEL		1



STARTER

336, 20063600001-Current

Part No	Description	Remark	QTY KIT
501 76 31-01	SPRING CASSETTE ASSY		1
503 21 58-25	SCREW		4
503 21 77-16	SCREW IHSCT		1
503 54 39-01	STARTER HANDLE		1
503 82 25-03	AIR CONDUCTOR		1
505 30 51-25	STARTER CORD		1
537 20 19-01	STARTER PULLEY		1
544 06 42-01	STARTER HOUSING		1
544 06 43-04	STARTER ASSY		1
544 11 65-02	DECAL		1

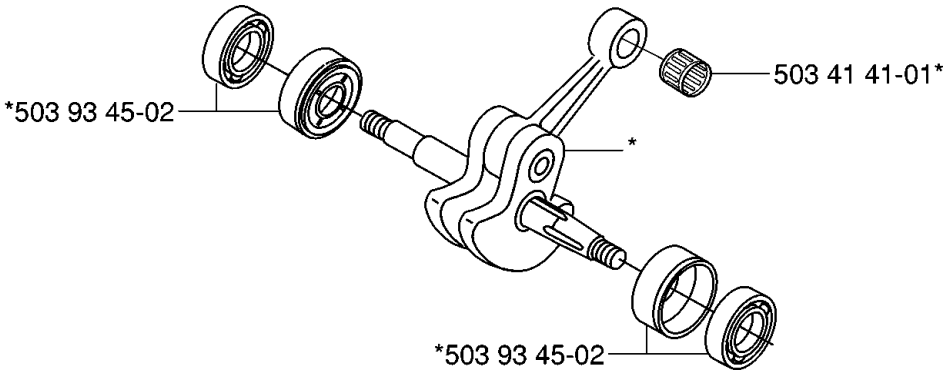


CYLINDER PISTON

336, 20063600001-Current

Part No	Description	Remark	QTY KIT
503 23 51-08	SPARK PLUG		1
503 28 90-04	PISTON RING		1
503 41 41-01	NEEDLE BEARING		1
503 55 22-01	PLUG		1
503 82 11-01	GASKET		1
503 99 49-72	PISTON ASSY		1
504 34 00-04	FITTING		1
504 34 00-04	FITTING		1
537 09 21-01	CYLINDER		1
537 10 04-01	GASKET		1
537 11 32-03	HOSE ASSY		1
537 12 68-06	KIT		1
537 13 70-01	NIPPLE		1
537 15 77-02	INLET PIPE		1
537 16 73-01	CLIP		1
537 18 00-01	PROTECTIVE CAP		1
537 22 29-01	SCREW		1
537 35 94-01	DECOMPRESSION VALVE		1
737 44 10-00	SNAP RING		1

K *compl 537 37 67-01

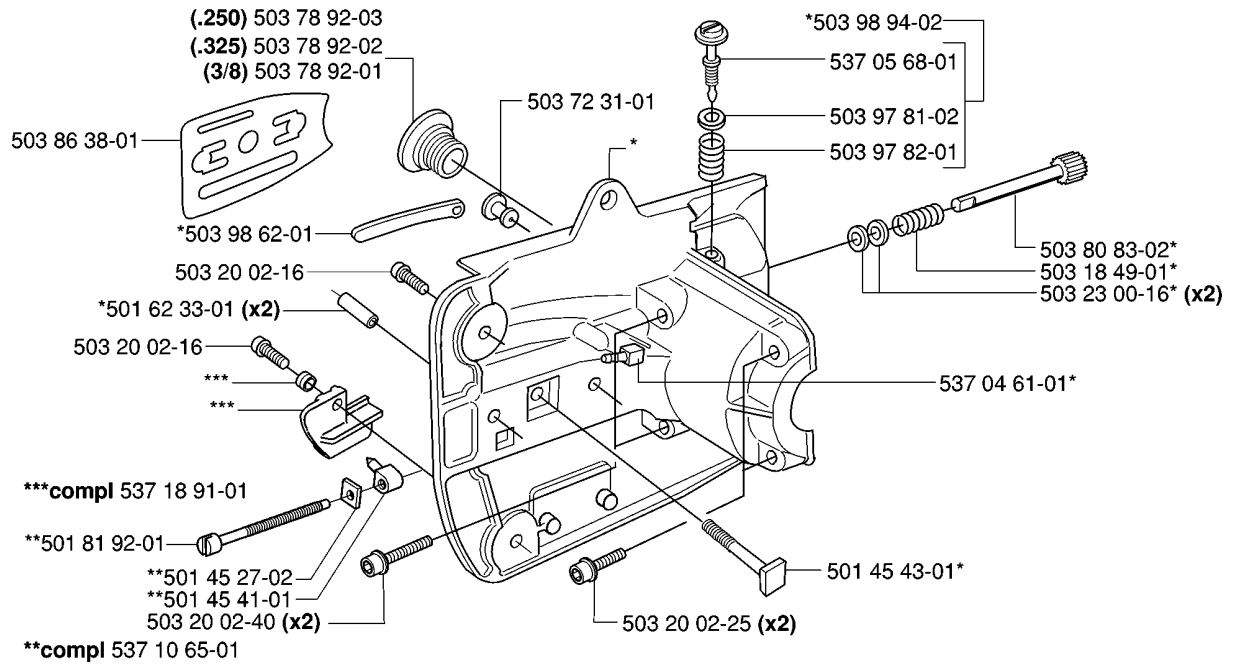


CRANKSHAFT

336, 20063600001-Current

Part No	Description	Remark	QTY KIT
503 41 41-01	NEEDLE BEARING		1
503 93 45-02	BEARING CAGE		1
503 93 45-02	BEARING CAGE		1
537 37 67-01	CRANKSHAFT ASSY		1

L *compl 503 79 22-04

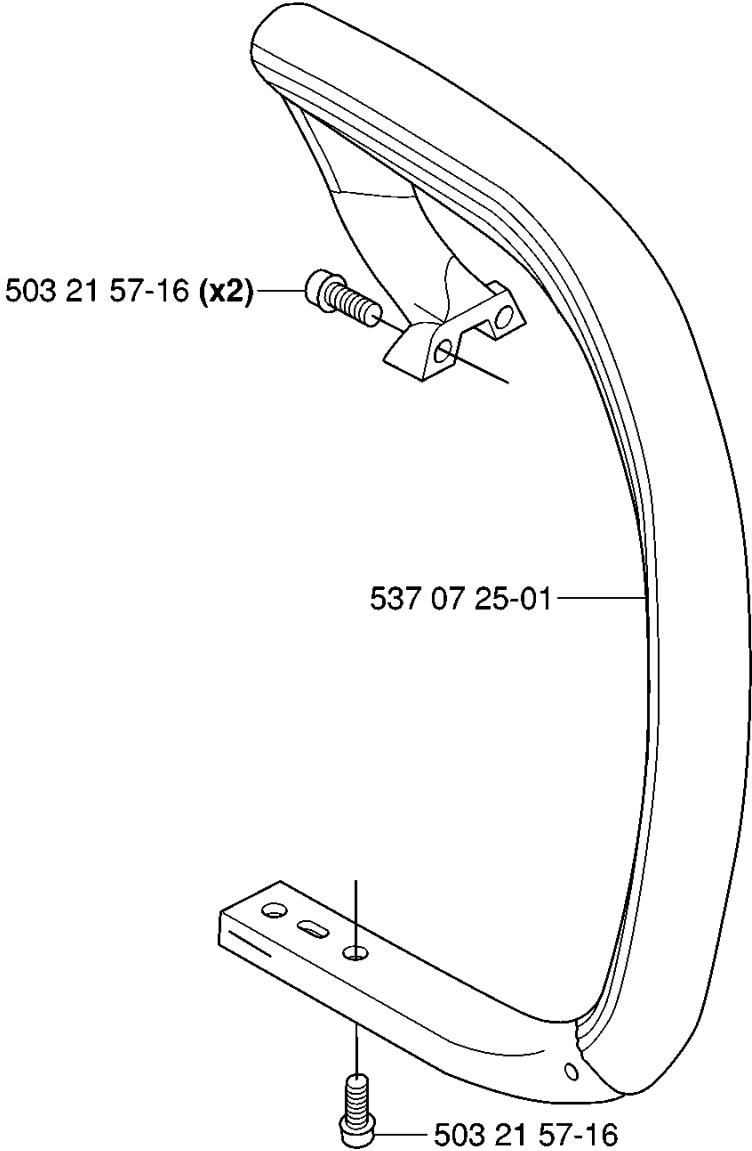


CRANKCASE

336, 20063600001-Current

Part No	Description	Remark	QTY KIT
501 45 27-02	LOCK NUT		1
501 45 41-01	NUT		1
501 45 43-01	BAR BOLT		1
501 62 33-01	SPRING PIN		2
501 81 92-01	SCREW		1
503 18 49-01	SPRING		1
503 20 02-16	SCREW IHSCFM		1
503 20 02-16	SCREW IHSCFM		1
503 20 02-25	SCREW IHSCFM		2
503 20 02-40	SCREW IHSCFM		2
503 23 00-16	WASHER		2
503 72 31-01	BUSHING		1
503 78 92-01	PUMP PINION		1
503 78 92-02	PUMP PINION		1
503 78 92-03	PUMP PINION		1
503 79 22-04	CRANKCASE ASSY		1
503 80 83-02	PUMP PISTON		1
503 86 38-01	COVER PLATE		1
503 97 81-02	STOP WASHER		1
503 97 82-01	SPRING		1
503 98 62-01	SEALING		1
503 98 94-02	SCREW KIT		1
537 04 61-01	NIPPLE		1
537 05 68-01	ADJUSTER		1
537 10 65-01	ADJUSTMENT SCREW		1
537 18 91-01	CHAIN CATCHER		1

M



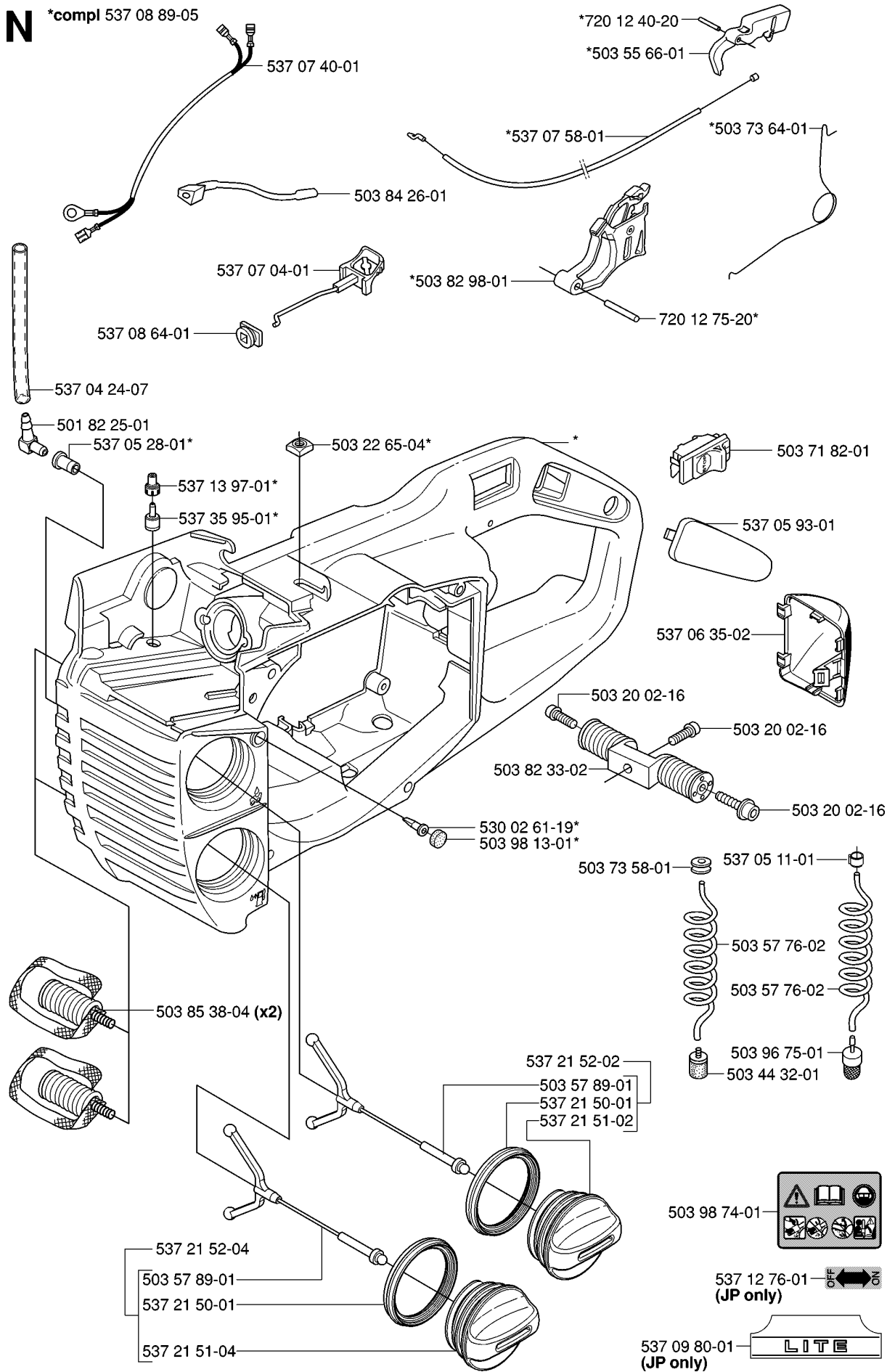
HANDLE

336, 20063600001-Current

Part No	Description	Remark	QTY KIT
503 21 57-16	SCREW IHSCT		2
503 21 57-16	SCREW IHSCT		1
537 07 25-01	FRONT HANDLE		1

N

*compl 537 08 89-05



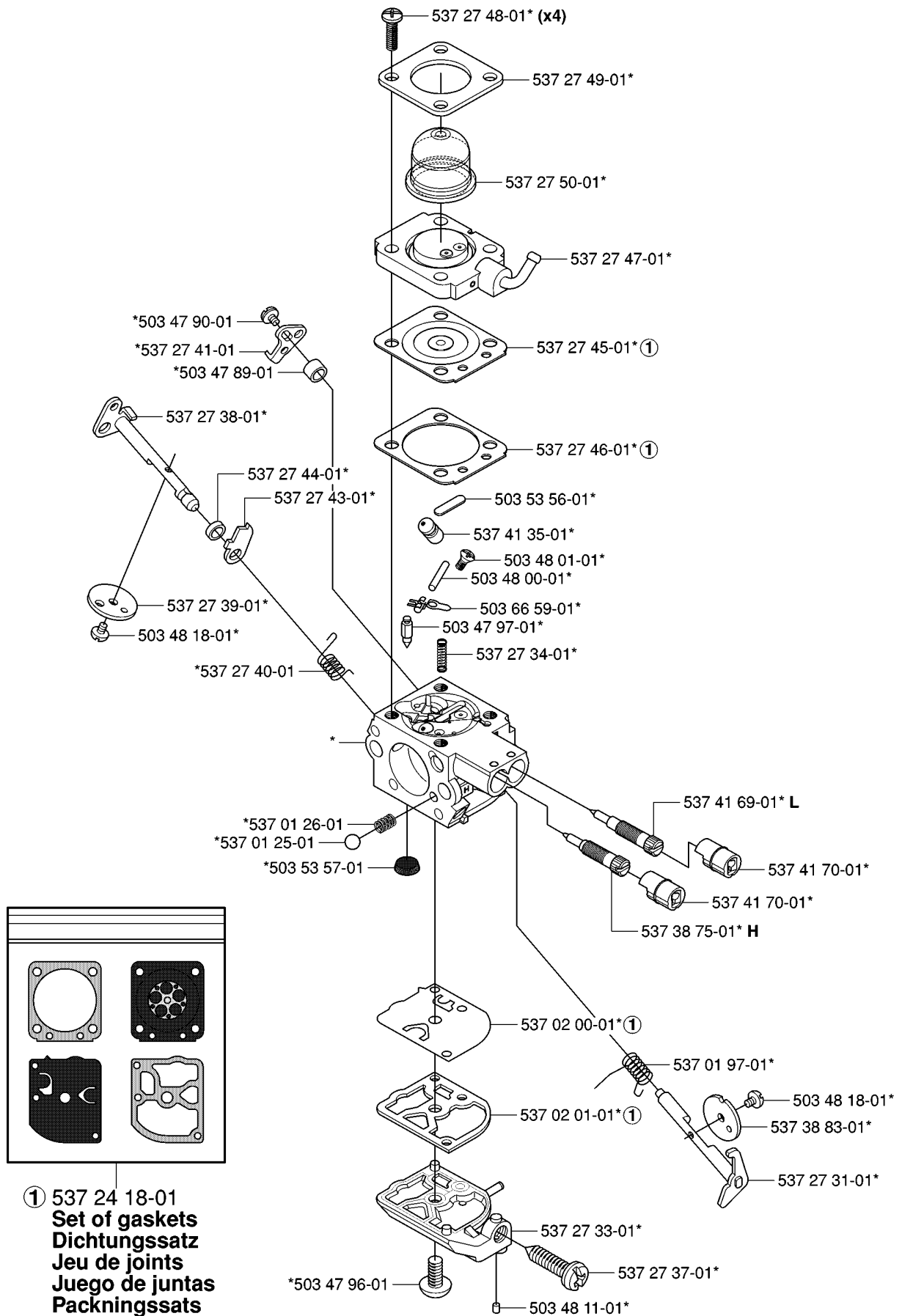
FUEL TANK

336, 20063600001-Current

Part No	Description	Remark	QTY KIT
501 82 25-01	FITTING		1
503 20 02-16	SCREW IHSCFM		1
503 20 02-16	SCREW IHSCFM		1
503 20 02-16	SCREW IHSCFM		1
503 22 65-04	SQUARE NUT		1
503 44 32-01	FUEL FILTER		1
503 55 66-01	THROTTLE LOCKOUT		1
503 57 76-02	FUEL HOSE		1
503 57 76-02	FUEL HOSE		1
503 57 89-01	HOLDER		1
503 57 89-01	HOLDER		1
503 71 82-01	SWITCH		1
503 73 58-01	BUSHING		1
503 73 64-01	SPRING		1
503 82 33-02	ANTIVIBRATION ELEMENT		1
503 82 98-01	TRIGGER		1
503 84 26-01	IMPULSE HOSE		1
503 85 38-04	ANTIVIBRATION ELEMENT		2
503 96 75-01	OIL PLUMMET		1
503 98 13-01	PLUG		1
503 98 74-01	LABEL		1
530 02 61-19	CHECK VALVE		1
537 04 24-07	FUEL HOSE		1
537 05 11-01	HOSE CLAMP		1
537 05 28-01	VALVE SLEEVE		1
537 05 93-01	HANDLE INSERT		1
537 06 35-02	COVER		1
537 07 04-01	CHOKE CONTROL		1
537 07 40-01	WIRING		1
537 07 58-01	THROTTLE WIRE ASSY		1
537 08 64-01	GROMMET		1
537 08 89-05	TANK UNIT ASSY		1
537 09 80-01	LABEL		1
537 12 76-01	LABEL		1
537 13 97-01	PROTECTIVE CAP		1
537 21 50-01	SEALING		1
537 21 50-01	SEALING		1
537 21 51-02	TANK		1
537 21 51-04	TANK		1
537 21 52-02	TANK CAP ASSY		1
537 21 52-04	TANK CAP ASSY		1
537 35 95-01	TANK VENT ASSY		1
720 12 40-20	PARALLEL PIN		1
720 12 75-20	PARALLEL PIN		1

P *compl 544 11 25-01 Zama C1Q-EL34

Zama C1Q-EL34



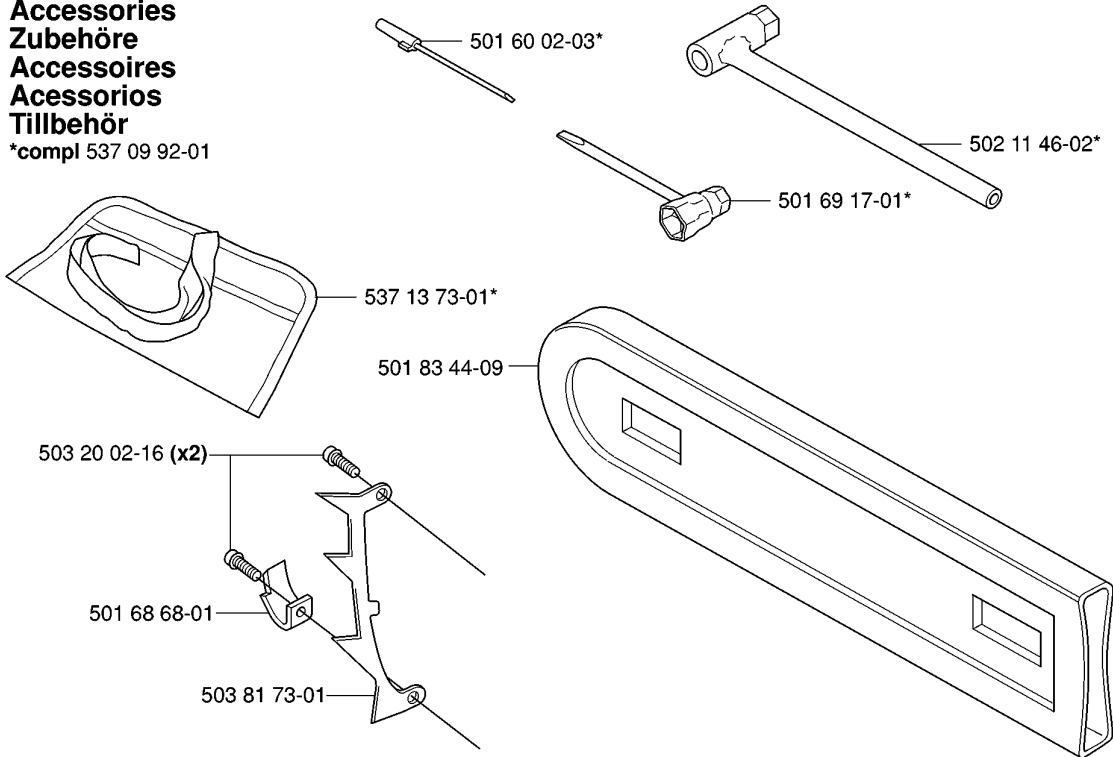
CARBURETOR DETAILS

336, 20063600001-Current

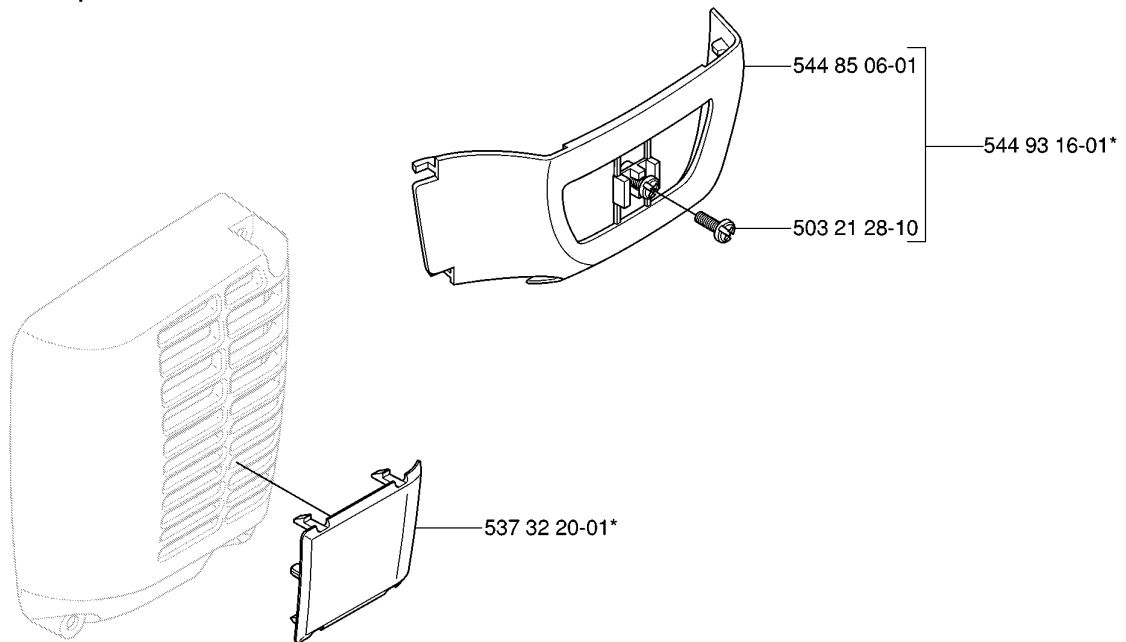
Part No	Description	Remark	QTY KIT
503 47 89-01	COLLAR		1
503 47 90-01	SCREW		1
503 47 96-01	SCREW		1
503 47 97-01	VALVE		1
503 48 00-01	PIN RETAINING SCREW		1
503 48 01-01	SCREW		1
503 48 11-01	PIECE		1
503 48 18-01	SCREW		1
503 48 18-01	SCREW		1
503 53 56-01	PLUG WELCH		1
503 53 57-01	STRAINER		1
503 66 59-01	LEVER		1
537 01 25-01	BALL		1
537 01 26-01	SPRING		1
537 01 97-01	SPRING		1
537 02 00-01	DIAPHRAGM PUMP		1
537 02 01-01	GASKET		1
537 24 18-01	GASKET KIT		1
537 27 31-01	SHAFT ASSY		1
537 27 33-01	COVER		1
537 27 34-01	SPRING		1
537 27 37-01	SCREW		1
537 27 38-01	SHAFT ASSY		1
537 27 39-01	VALVE		1
537 27 40-01	SPRING		1
537 27 41-01	LEVER		1
537 27 43-01	LEVER		1
537 27 44-01	COLLAR		1
537 27 45-01	DIAPHRAGM		1
537 27 46-01	GASKET		1
537 27 47-01	PRIMER		1
537 27 48-01	SCREW		4
537 27 49-01	RETAINER		1
537 27 50-01	BULB		1
537 38 75-01	SCREW		1
537 38 83-01	VALVE		1
537 41 35-01	NOZZLE ASSY		1
537 41 69-01	SCREW		1
537 41 70-01	LIMITER CAP		1
537 41 70-01	LIMITER CAP		1
544 11 25-01	CARBURETTOR		1

Q Accessories
Zubehöre
Accessoires
Accesorios
Tillbehör

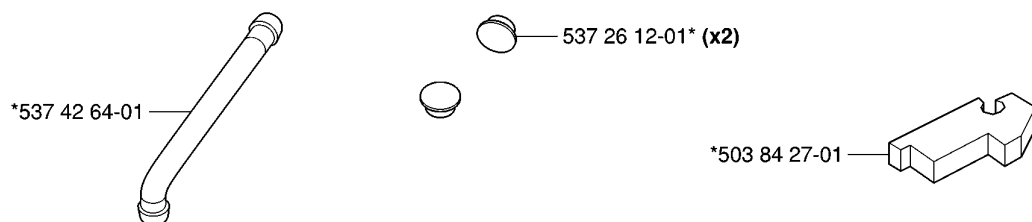
*compl 537 09 92-01



*compl 544 93 16-02



*compl 537 43 18-01



ACCESSORIES

336, 20063600001-Current

Part No	Description	Remark	QTY KIT
501 60 02-03	SCREWDRIVER		1
501 68 68-01	CHAIN CATCHER		1
501 69 17-01	COMBINATION WRENCH		1
501 83 44-09	BAR COVER		1
502 11 46-02	SOCKET WRENCH		1
503 20 02-16	SCREW IHSCFM		2
503 21 28-10	SCREW CCRPANT		1
503 81 73-01	SPIKE		1
503 84 27-01	HEAT SEALING		1
537 09 92-01	TOOL KIT		1
537 13 73-01	TOOL CASING		1
537 26 12-01	PLUG		2
537 32 20-01	WINTER COVER		1
537 42 64-01	HOSE		1
537 43 18-01	WINTER KIT		1
544 85 06-01	WINTER COVER		1
544 93 16-01	WINTER COVER ASSY		1
544 93 16-02	WINTER COVER ASSY		1