

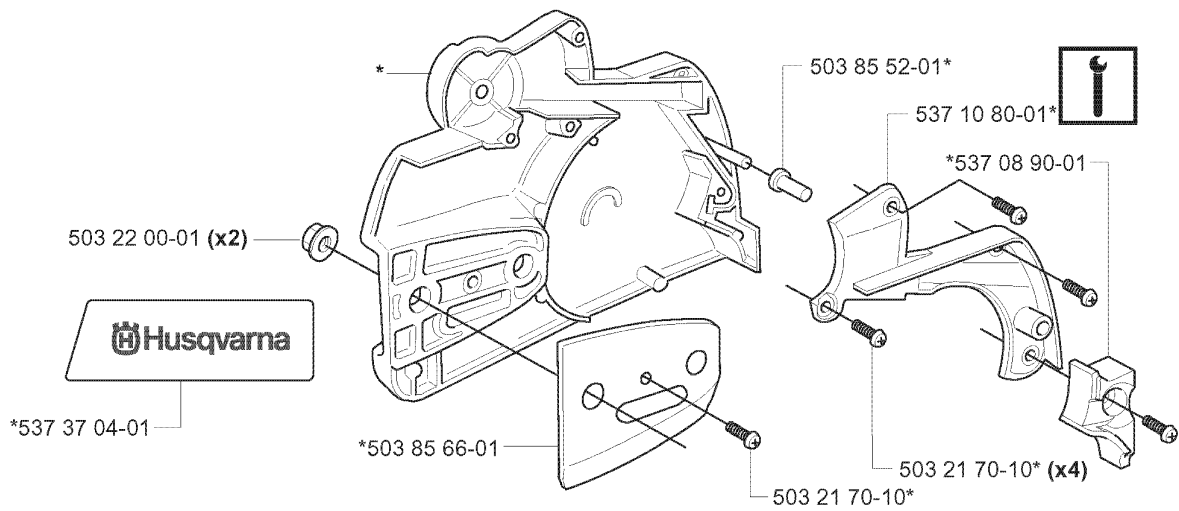
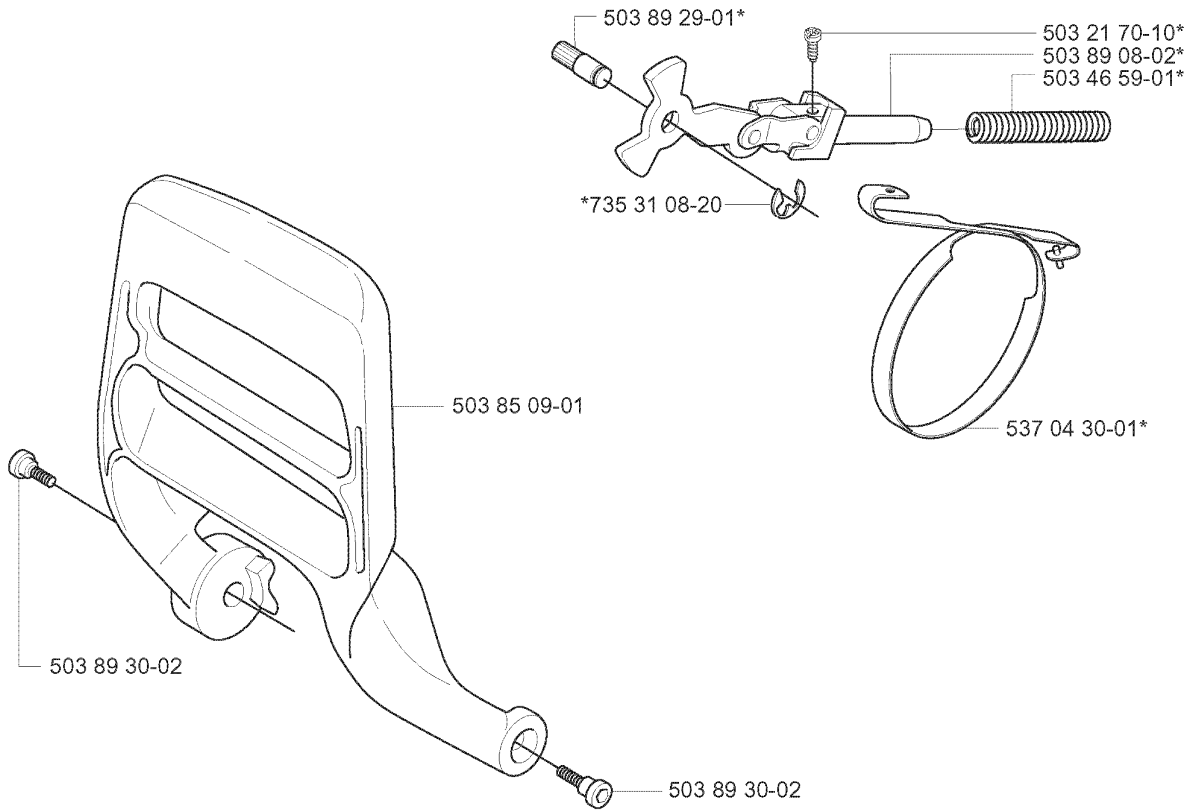


SPARE PARTS LIST

CHAIN SAWS

345, 20070100001-Current

A *compl 537 10 78-03

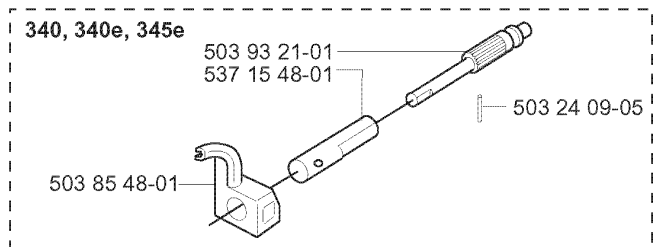
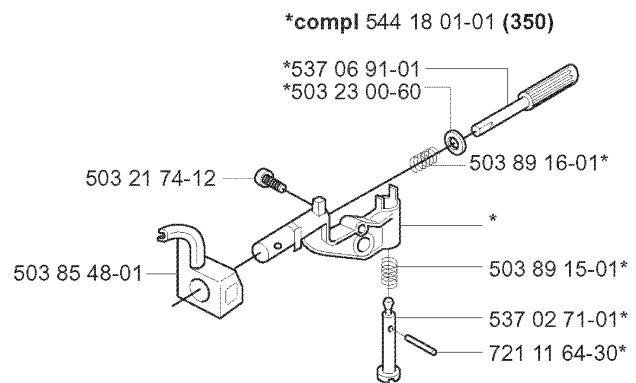
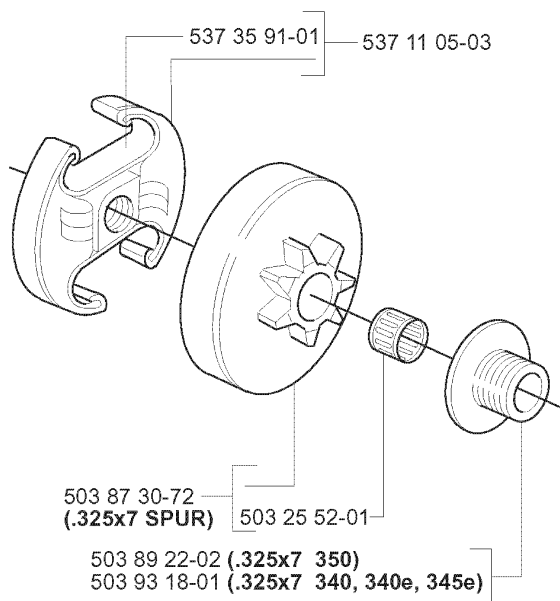


CHAIN BRAKE & CLUTCH COVER

345, 20070100001-Current

Part No	Description	Remark	QTY KIT
503 21 70-10	SCREW CCRPANT		1
503 21 70-10	SCREW CCRPANT		1
503 21 70-10	SCREW CCRPANT		4
503 22 00-01	HEXAGON NUT		2
503 46 59-01	BRAKE SPRING		1
503 85 09-01	HAND GUARD		1
503 85 52-01	GUIDE BUSHING		1
503 85 66-01	COVER PLATE		1
503 89 08-02	KNEE JOINT ASSY		1
503 89 29-01	PIN		1
503 89 30-02	SCREW		1
503 89 30-02	SCREW		1
537 04 30-01	BRAKE BAND ASSY		1
537 08 90-01	WEAR PROTECTION		1
537 10 78-03	CHAIN BRAKE		1
537 10 80-01	HUB CAP		1
537 37 04-01	LABEL		1
735 31 08-20	E-CLIP		1

B

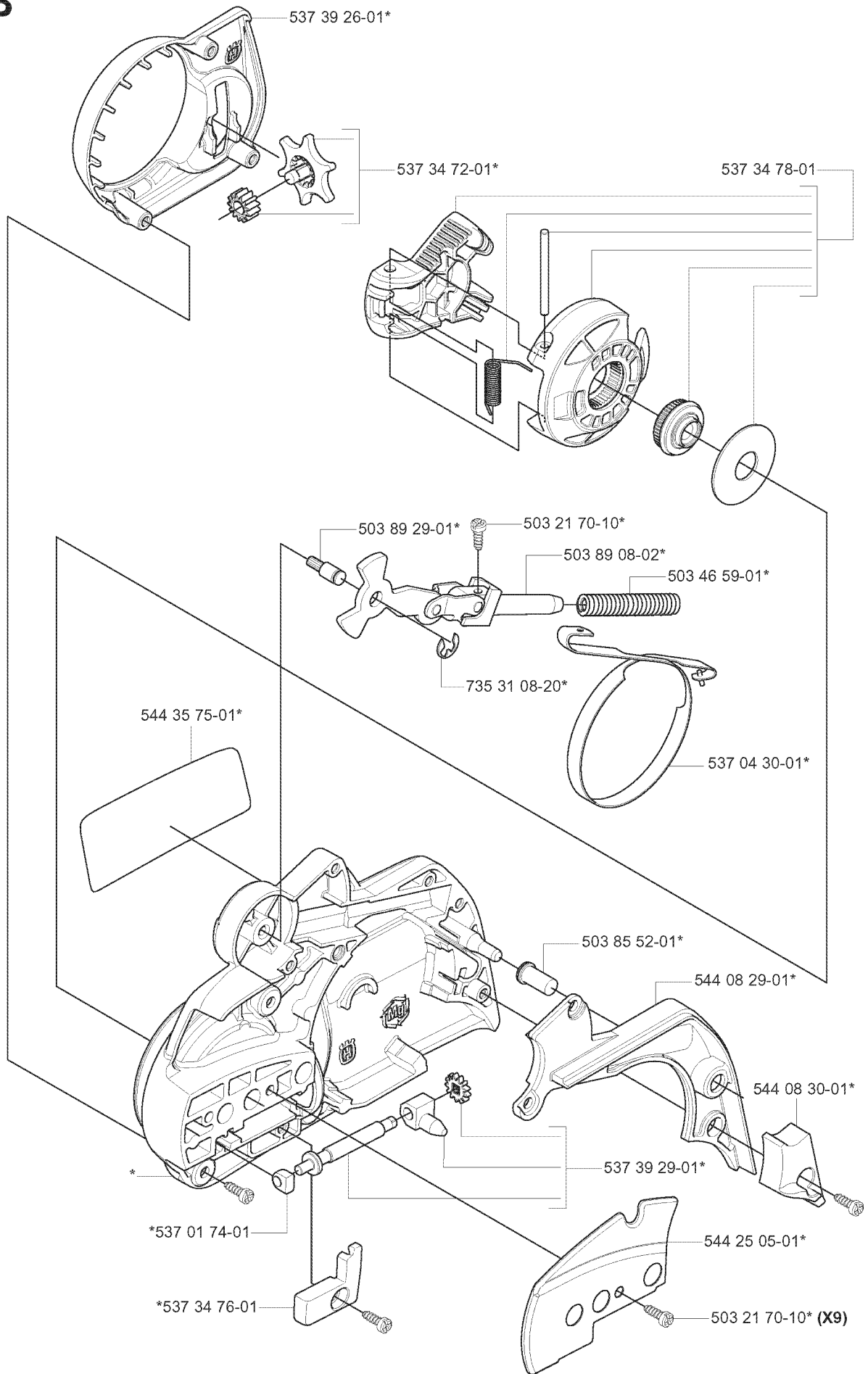


CLUTCH & OIL PUMP

345, 20070100001-Current

Part No	Description	Remark	QTY KIT
503 21 74-12	SCREW IHSCT		1
503 23 00-60	WASHER		1
503 24 09-05	NEEDLE ROLLER		1
503 25 52-01	NEEDLE BEARING		1
503 85 48-01	SEALING		1
503 85 48-01	SEALING		1
503 87 30-72	CLUTCH DRUM ASSY		1
503 89 15-01	SPRING		1
503 89 16-01	SPRING		1
503 89 22-02	PUMP PINION		1
503 93 18-01	PUMP PINION		1
503 93 21-01	PUMP PISTON		1
537 02 71-01	ADJUSTER		1
537 06 91-01	PUMP PISTON		1
537 11 05-03	CLUTCH ASSY		1
537 15 48-01	PUMP CYLINDER		1
537 35 91-01	CLUTCH SPRING		1
544 18 01-01	OIL PUMP ASSY		1
721 11 64-30	GROOVED PIN		1

B *compl 544 21 72-01 345e

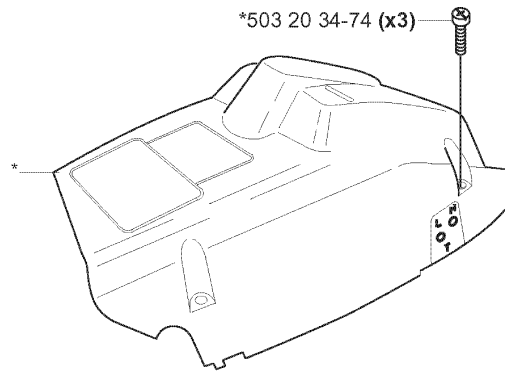
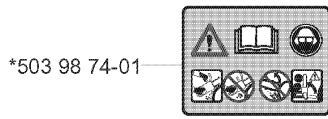


CLUTCH COVER

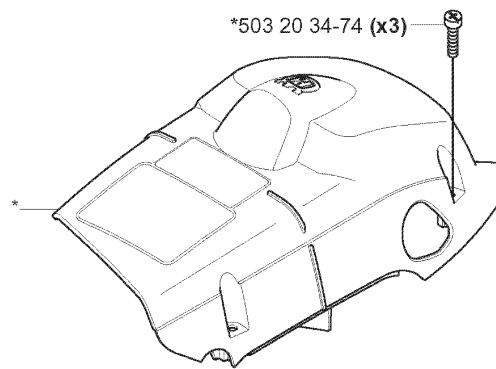
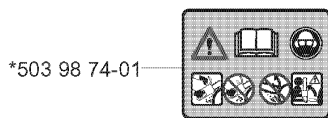
345, 20070100001-Current

Part No	Description	Remark	QTY KIT
503 21 70-10	SCREW CCRPANT		9
503 21 70-10	SCREW CCRPANT		1
503 85 52-01	GUIDE BUSHING		1
503 89 08-02	KNEE JOINT ASSY		1
503 89 29-01	PIN		1
537 01 74-01	BEARING SLEEVE		1
537 04 30-01	BRAKE BAND ASSY		1
537 34 72-01	GEAR ASSY		1
537 34 76-01	COVER		1
537 34 78-01	KNOB		1
537 39 26-01	HEAT PROTECTOR		1
537 39 29-01	SCREW		1
544 08 29-01	COVER LID		1
544 08 30-01	WEAR PROTECTION		1
544 21 72-01	CLUTCH COVER ASSY		1
544 25 05-01	WEAR PLATE		1
544 35 75-01	LABEL		1
735 31 08-20	E-CLIP		1

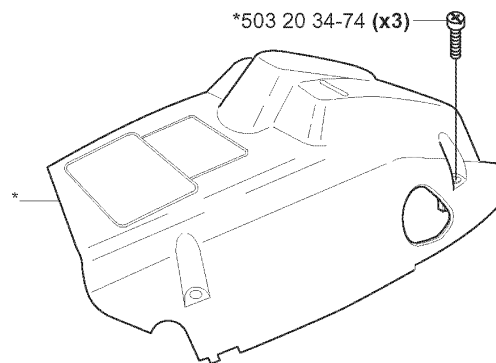
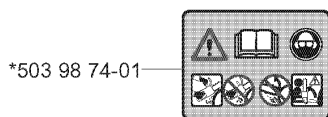
C *compl 503 91 05-01 (340)



C *compl 537 42 20-01 (340e, 345e)



C *compl 537 42 19-01 (350)

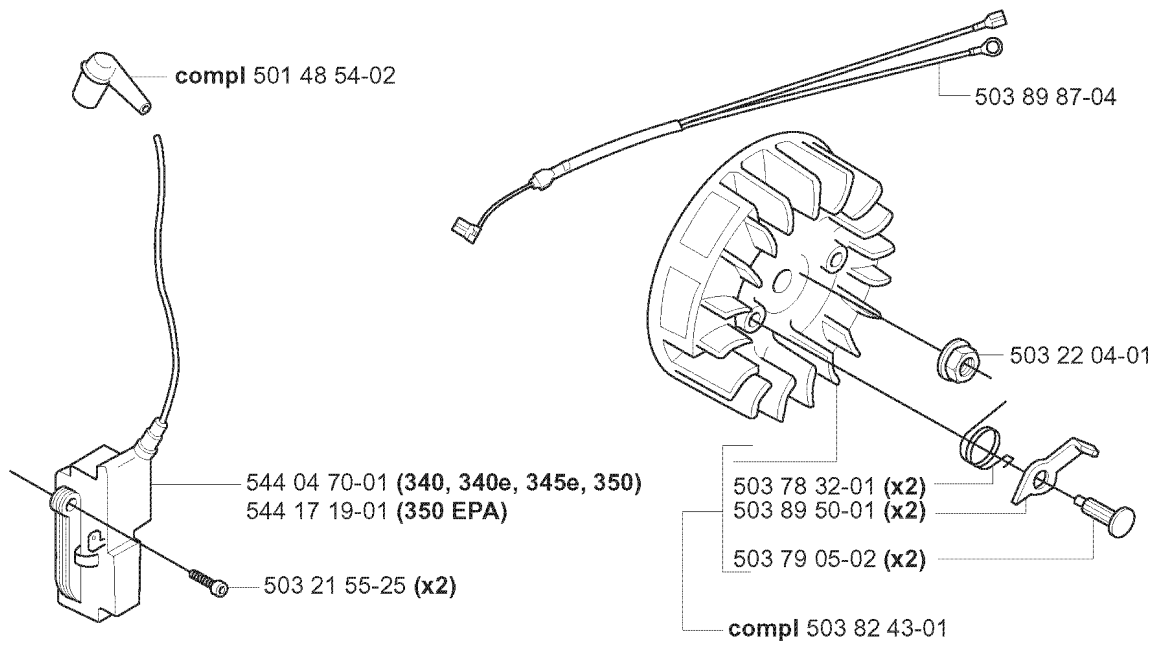


CYLINDER COVER

345, 20070100001-Current

Part No	Description	Remark	QTY KIT
503 20 34-74	SCREW		3
503 20 34-74	SCREW		3
503 20 34-74	SCREW		3
503 91 05-01	CYLINDER COVER ASSY		1
503 98 74-01	LABEL		1
503 98 74-01	LABEL		1
503 98 74-01	LABEL		1
537 42 19-01	CYLINDER COVER		1
537 42 20-01	CYLINDER COVER		1

D

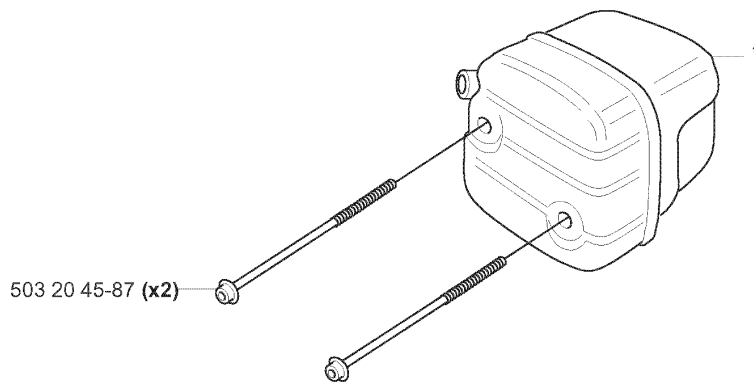


IGNITION SYSTEM

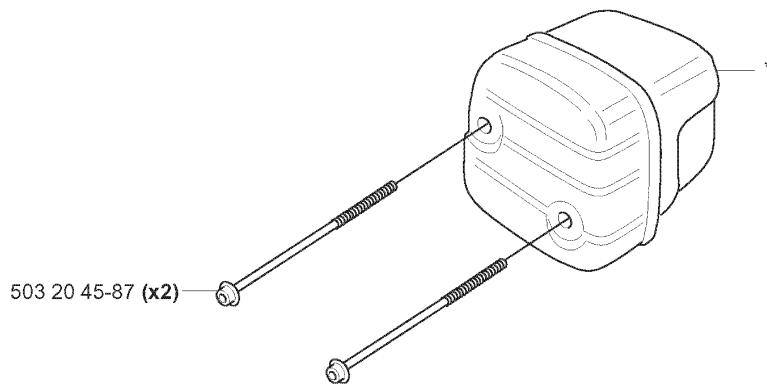
345, 20070100001-Current

Part No	Description	Remark	QTY KIT
501 48 54-02	SPARK PLUG CAP		1
503 21 55-25	SCREW IH SCT		2
503 22 04-01	NUT		1
503 78 32-01	SPRING		2
503 79 05-02	RIVET		2
503 82 43-01	FLYWHEEL		1
503 89 50-01	STARTER PAWL		2
503 89 87-04	WIRING ASSY		1
544 04 70-01	IGNITION MODULE		1
544 17 19-01	IGNITION MODULE		1

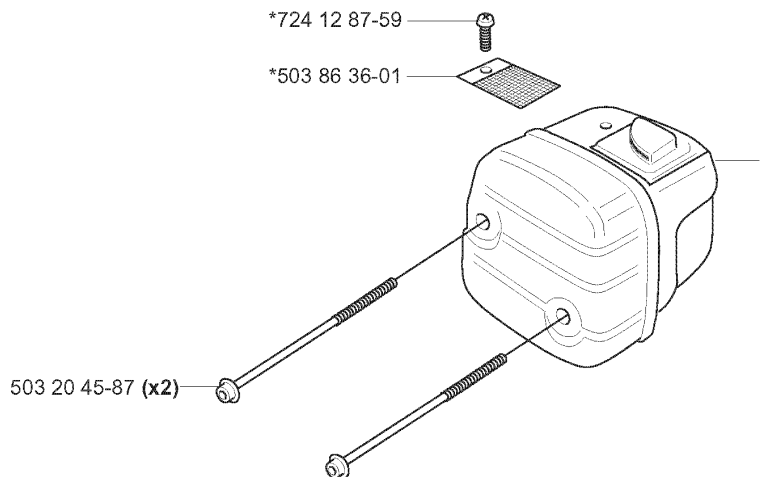
E *compl 503 86 27-03 (EU) 350



E *compl 503 87 96-02 (FG) 340, 340e, 345



E *compl 503 86 28-03 (DF) 340, 340e, 345, 350

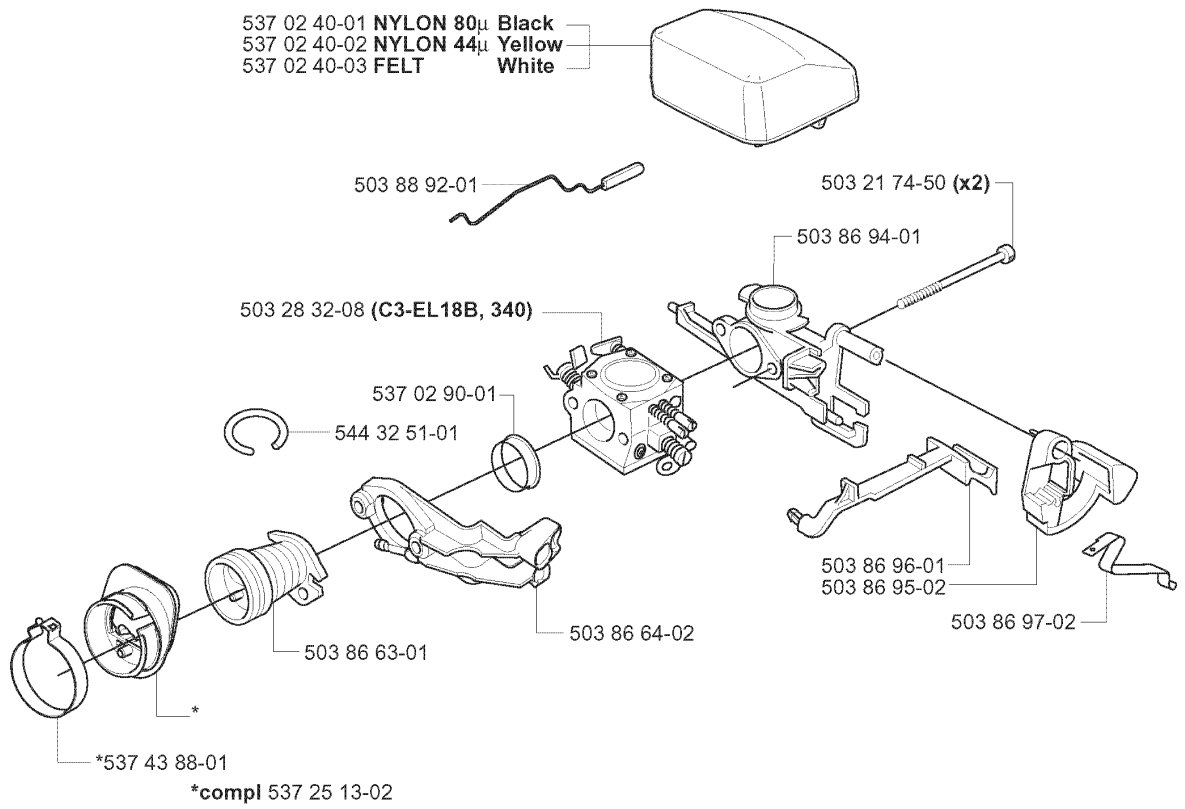


MUFFLER

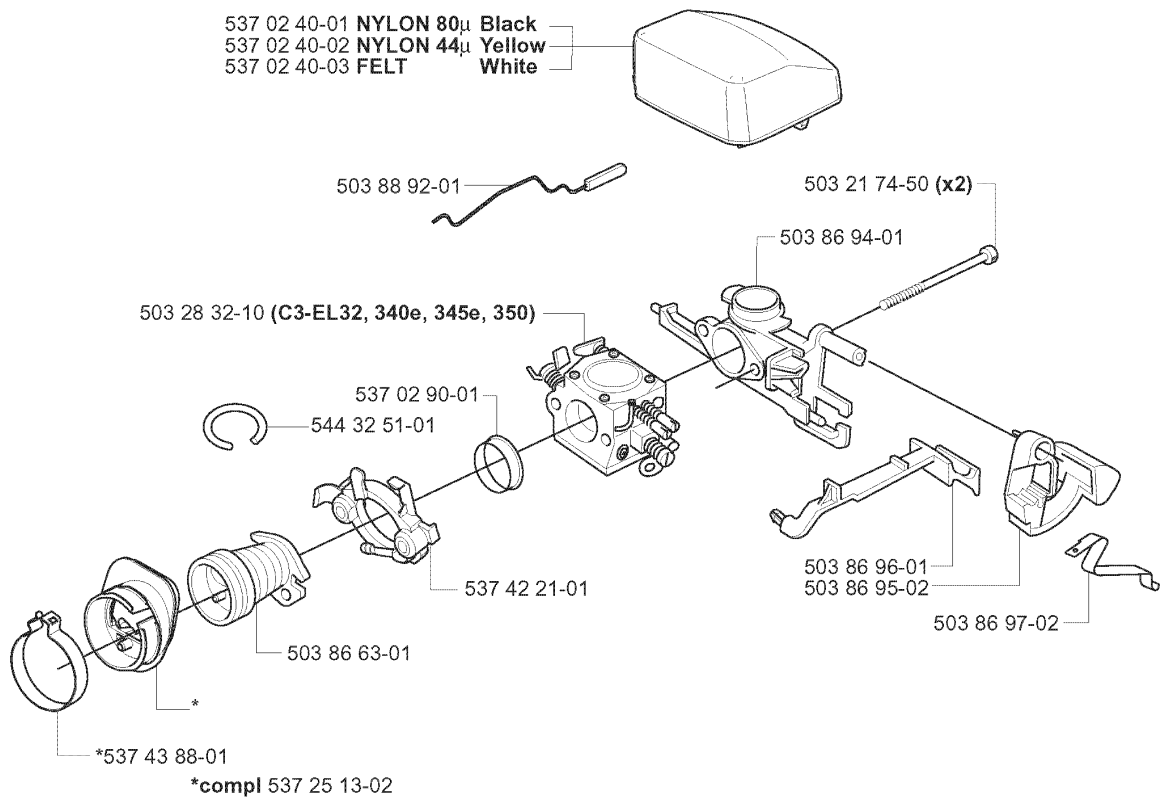
345, 20070100001-Current

Part No	Description	Remark	QTY KIT
503 20 45-87	SCREW IHSCFM		2
503 20 45-87	SCREW IHSCFM		2
503 20 45-87	SCREW IHSCFM		2
503 86 27-03	MUFFLER ASSY		1
503 86 28-03	MUFFLER ASSY		1
503 86 36-01	SPARK ARRESTER SCREEN		1
503 87 96-02	MUFFLER ASSY		1
724 12 87-59	SCREW CRPANM		1

F 340



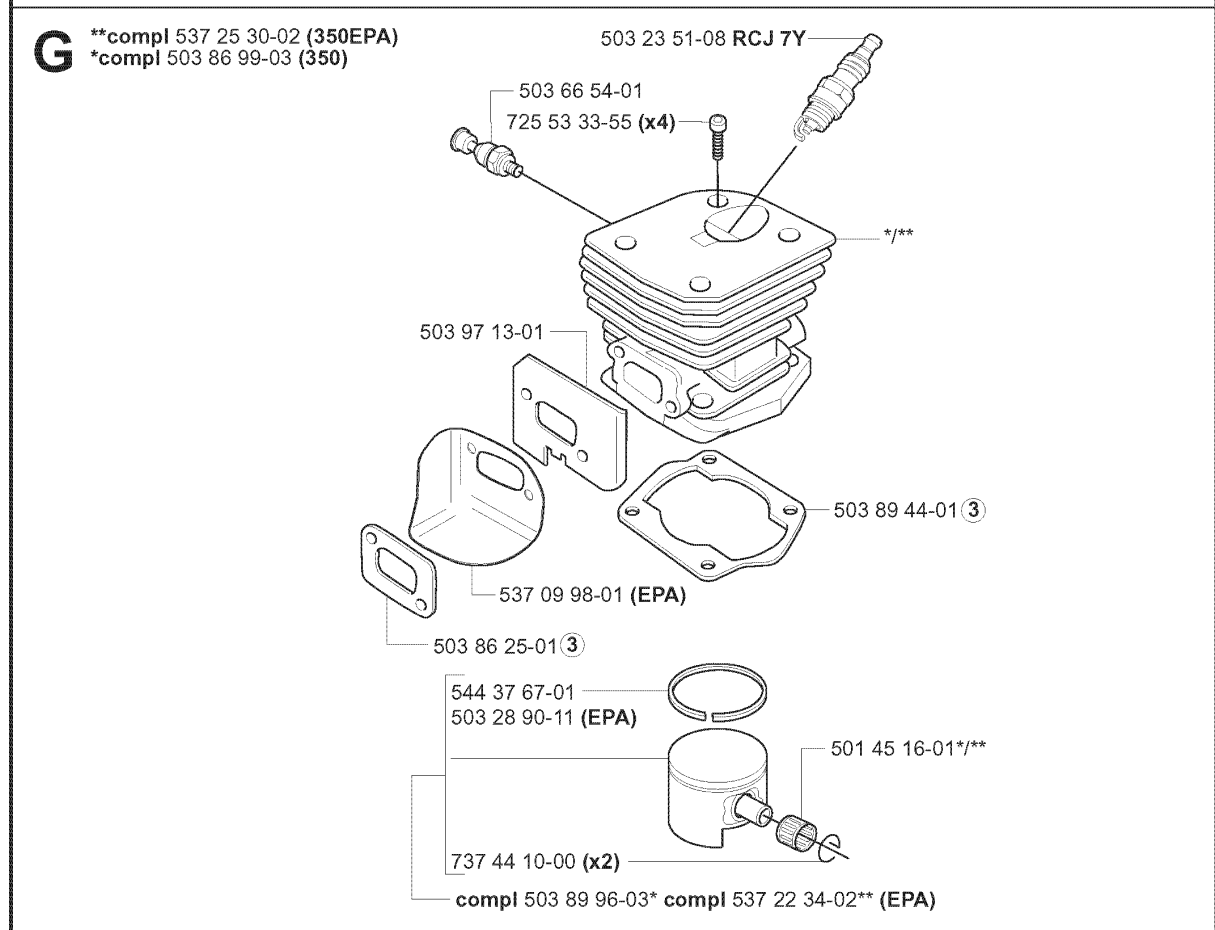
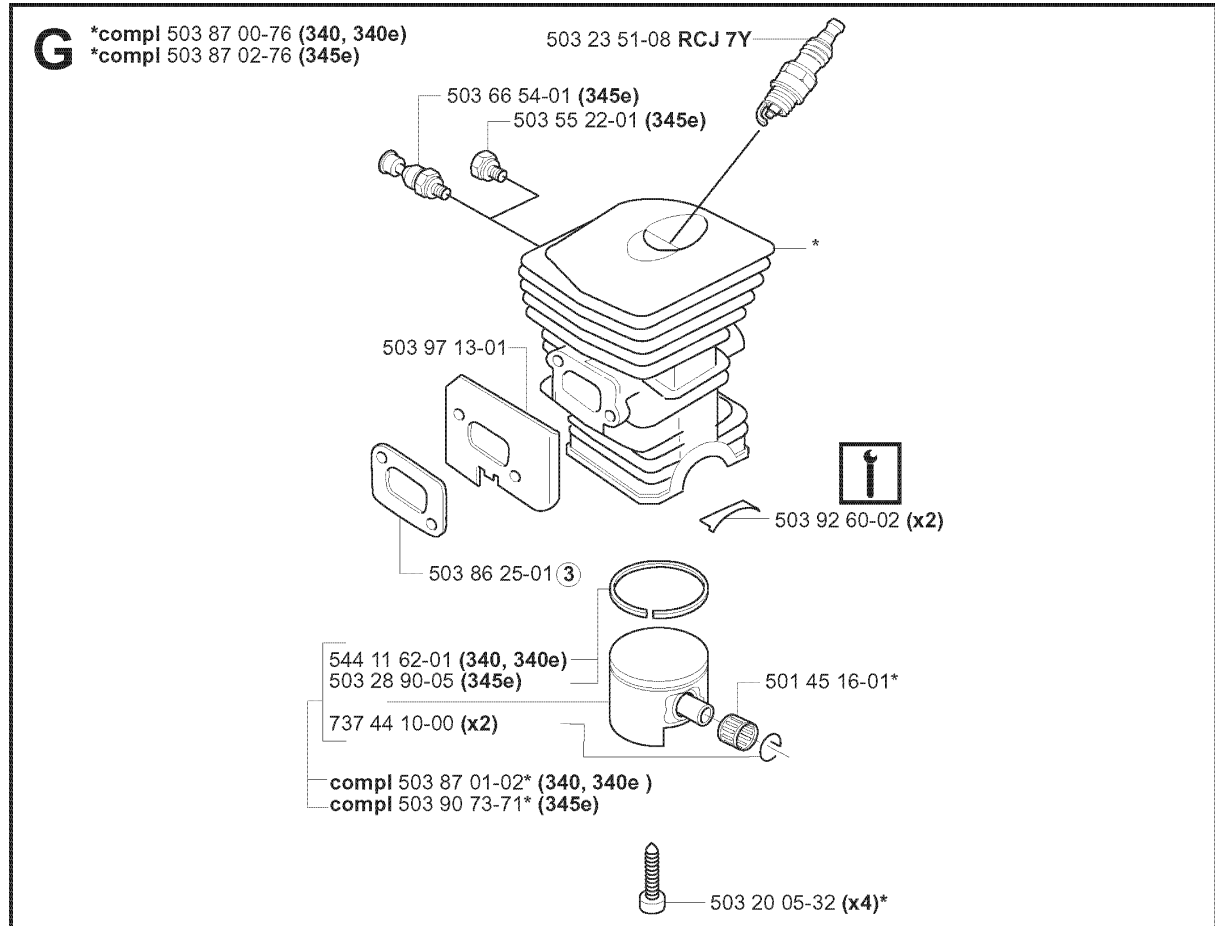
F 340e, 345e, 350



CARBURETOR & AIR FILTER

345, 20070100001-Current

Part No	Description	Remark	QTY KIT
503 21 74-50	SCREW IHSCT		2
503 21 74-50	SCREW IHSCT		2
503 28 32-08	CARBURETTOR		1
503 28 32-10	CARBURETTOR		1
503 86 63-01	BELLOWS		1
503 86 63-01	BELLOWS		1
503 86 64-02	FLANGE		1
503 86 94-01	INLET BEND		1
503 86 94-01	INLET BEND		1
503 86 95-02	STOP SWITCH		1
503 86 95-02	STOP SWITCH		1
503 86 96-01	CHOKE CONTROL		1
503 86 96-01	CHOKE CONTROL		1
503 86 97-02	SPRING		1
503 86 97-02	SPRING		1
503 88 92-01	THROTTLE ROD		1
503 88 92-01	THROTTLE ROD		1
537 02 40-01	AIR FILTER		1
537 02 40-01	AIR FILTER		1
537 02 40-02	AIR FILTER		1
537 02 40-02	AIR FILTER		1
537 02 40-03	AIR FILTER		1
537 02 40-03	AIR FILTER		1
537 02 90-01	SUPPORT RING		1
537 02 90-01	SUPPORT RING		1
537 25 13-02	INSULATION WALL		1
537 25 13-02	INSULATION WALL		1
537 42 21-01	FLANGE		1
537 43 88-01	CLIP		1
537 43 88-01	CLIP		1
544 32 51-01	HOSE		1
544 32 51-01	HOSE		1

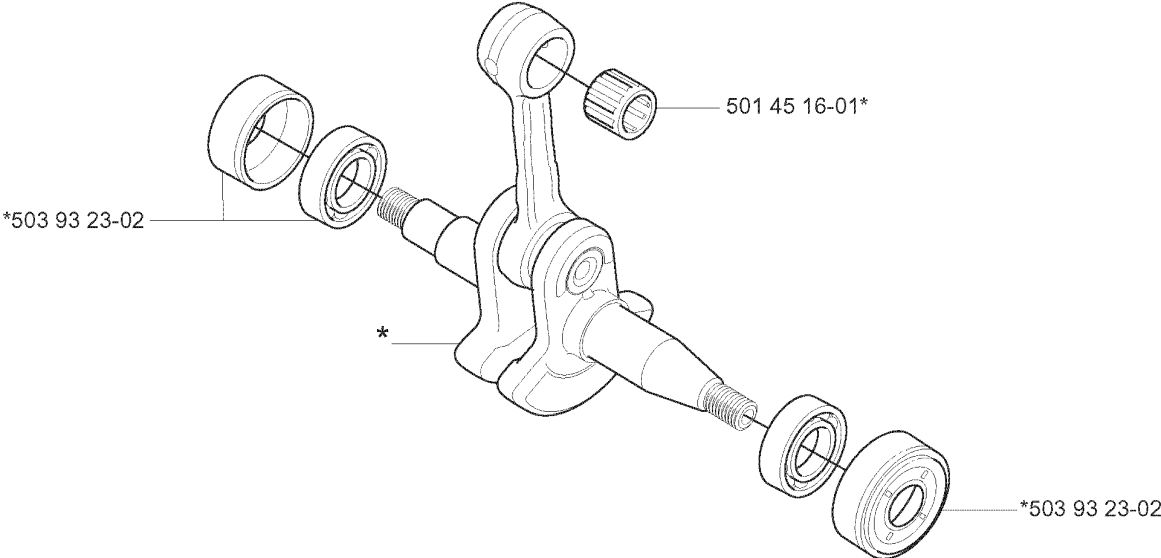


CYLINDER PISTON

345, 20070100001-Current

Part No	Description	Remark	QTY KIT
501 45 16-01	NEEDLE BEARING		1
501 45 16-01	NEEDLE BEARING		1
503 20 05-32	SCREW IHSCM		4
503 23 51-08	SPARK PLUG		1
503 23 51-08	SPARK PLUG		1
503 28 90-05	PISTON RING		1
503 28 90-11	PISTON RING		1
503 55 22-01	PLUG		1
503 66 54-01	DECOMPRESSION VALVE		1
503 66 54-01	DECOMPRESSION VALVE		1
503 86 25-01	GASKET		1
503 86 25-01	GASKET		1
503 86 99-03	CYLINDER ASSY		1
503 87 00-76	CYLINDER ASSY		1
503 87 01-02	PISTON ASSY		1
503 87 02-76	CYLINDER ASSY		1
503 89 44-01	GASKET		1
503 89 96-03	PISTON ASSY		1
503 90 73-71	PISTON ASSY		1
503 92 60-02	COVER PLATE		2
503 97 13-01	HEAT DEFLECTOR		1
503 97 13-01	HEAT DEFLECTOR		1
537 09 98-01	HEAT DEFLECTOR		1
537 22 34-02	PISTON ASSY		1
537 25 30-02	CYLINDER ASSY		1
544 11 62-01	PISTON RING		1
544 37 67-01	PISTON RING		1
725 53 33-55	SCREW IHSCM		4
737 44 10-00	SNAP RING		2
737 44 10-00	SNAP RING		2

H *compl 503 85 80-71

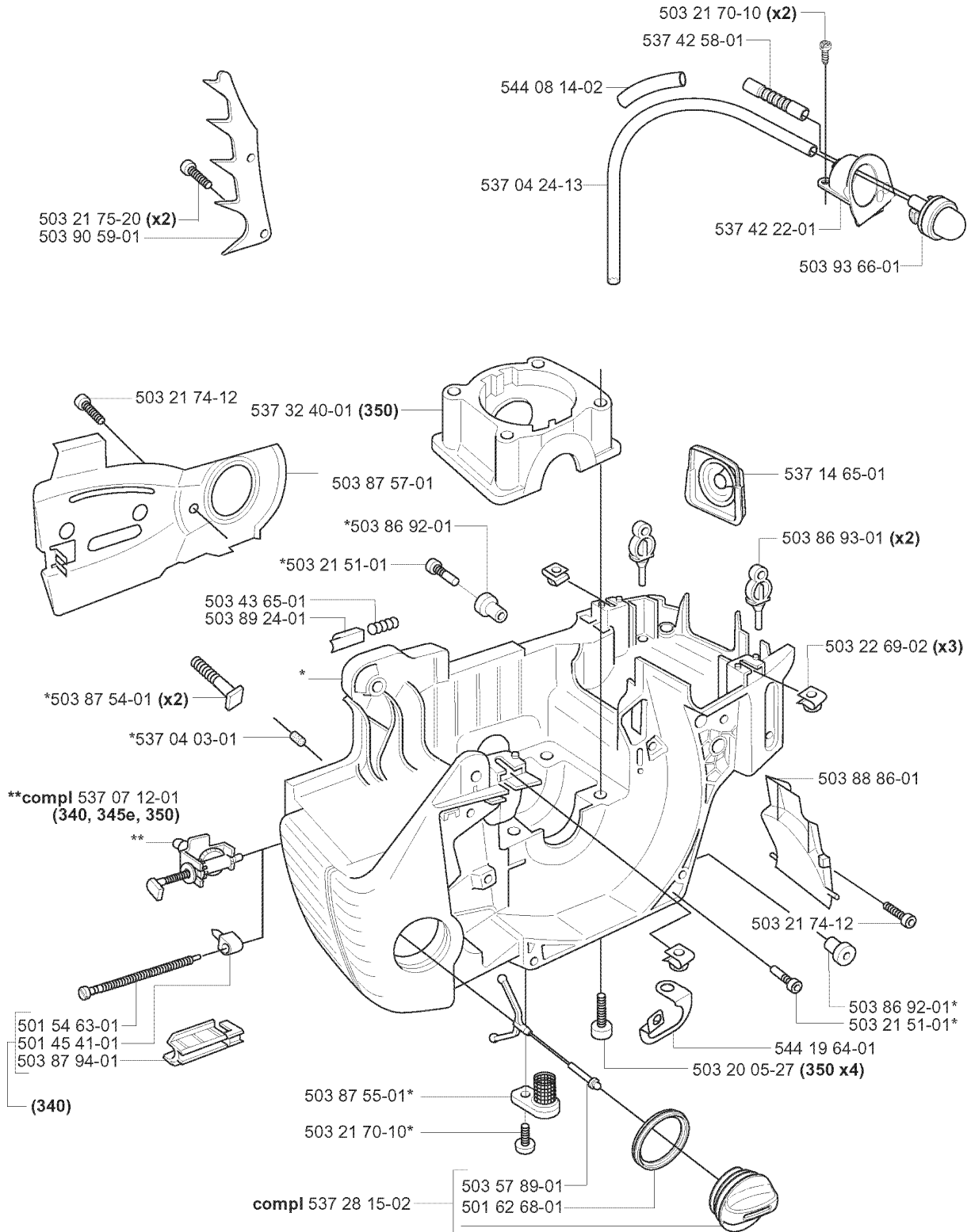


CRANKSHAFT

345, 20070100001-Current

Part No	Description	Remark	QTY KIT
501 45 16-01	NEEDLE BEARING		1
503 85 80-71	CRANKSHAFT		1
503 93 23-02	BEARING CAGE		1
503 93 23-02	BEARING CAGE		1

J *compl 537 17 20-03

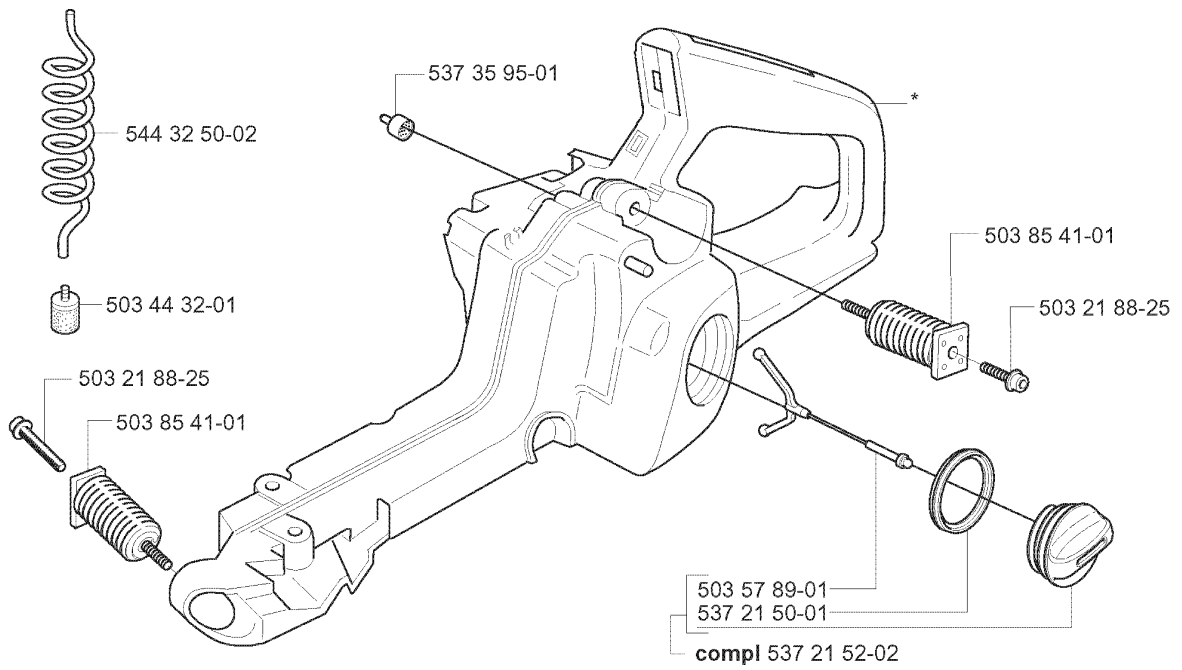
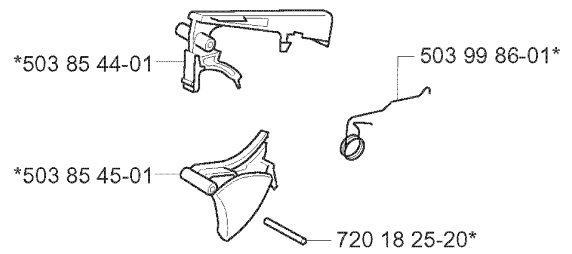


CRANKCASE

345, 20070100001-Current

Part No	Description	Remark	QTY KIT
501 45 41-01	NUT		1
501 54 63-01	SCREW		1
503 20 05-27	SCREW IHSCM		4
503 21 51-01	SCREW IHSC T		1
503 21 51-01	SCREW IHSC T		1
503 21 70-10	SCREW CCRPANT		2
503 21 70-10	SCREW CCRPANT		1
503 21 74-12	SCREW IHSC T		1
503 21 74-12	SCREW IHSC T		1
503 21 75-20	SCREW IHSC FT		2
503 22 69-02	NUT		3
503 43 65-01	POSITION SPRING		1
503 57 89-01	HOLDER		1
503 62 68-01	CRANKCASE ASSY		1
503 86 92-01	BUSHING		1
503 86 92-01	BUSHING		1
503 86 93-01	SUPPORT		2
503 87 54-01	BAR BOLT		2
503 87 55-01	OIL SCREEN		1
503 87 57-01	CHAIN GUIDE PLATE		1
503 87 94-01	RETAINER		1
503 88 86-01	AIR NOZZLE		1
503 89 24-01	LOCK		1
503 90 59-01	SPIKE		1
503 93 66-01	PURGE		1
537 04 03-01	VALVE		1
537 04 24-13	FUEL HOSE		1
537 07 12-01	CHAIN TENSIONER		1
537 14 65-01	BELLOWS		1
537 17 20-03	CRANKCASE ASSY		1
537 28 15-02	TANK CAP ASSY		1
537 32 40-01	BEARING COVER		1
537 42 22-01	BRACKET		1
537 42 58-01	SUCTION HOSE		1
544 08 14-02	PROTECTIVE HOSE		1
544 19 64-01	GROUND PLATE		1

K *compl 503 86 37-03

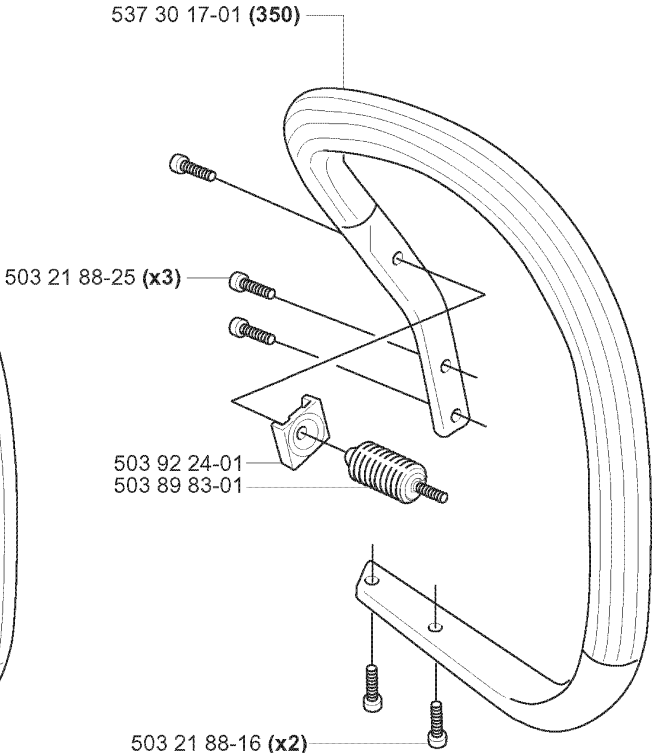
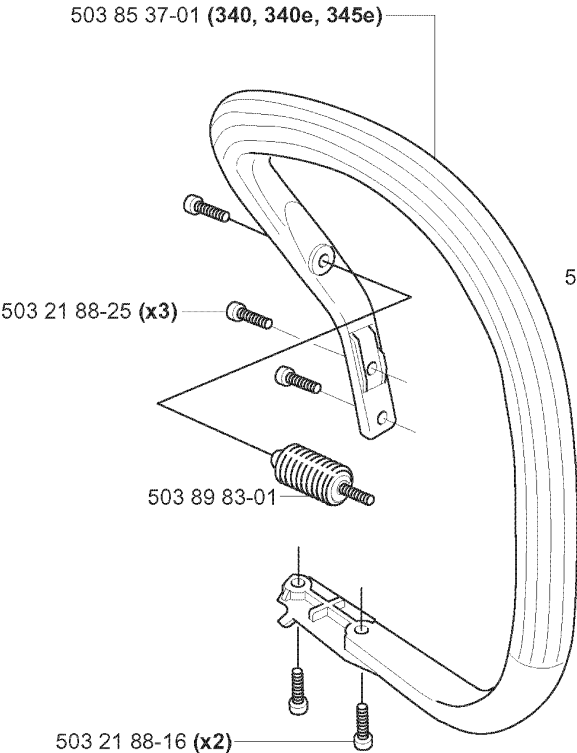


FUEL TANK

345, 20070100001-Current

Part No	Description	Remark	QTY KIT
503 21 88-25	SCREW IHSCFT		1
503 21 88-25	SCREW IHSCFT		1
503 44 32-01	FUEL FILTER		1
503 57 89-01	HOLDER		1
503 85 41-01	ANTIVIBRATION ELEMENT		1
503 85 41-01	ANTIVIBRATION ELEMENT		1
503 85 44-01	THROTTLE LOCKOUT		1
503 85 45-01	TRIGGER		1
503 86 37-03	FUEL TANK		1
503 99 86-01	RECOIL SPRING		1
537 21 50-01	SEALING		1
537 21 52-02	TANK CAP ASSY		1
537 35 95-01	TANK VENT ASSY		1
544 32 50-02	FUEL HOSE		1
720 18 25-20	PARALLEL PIN		1

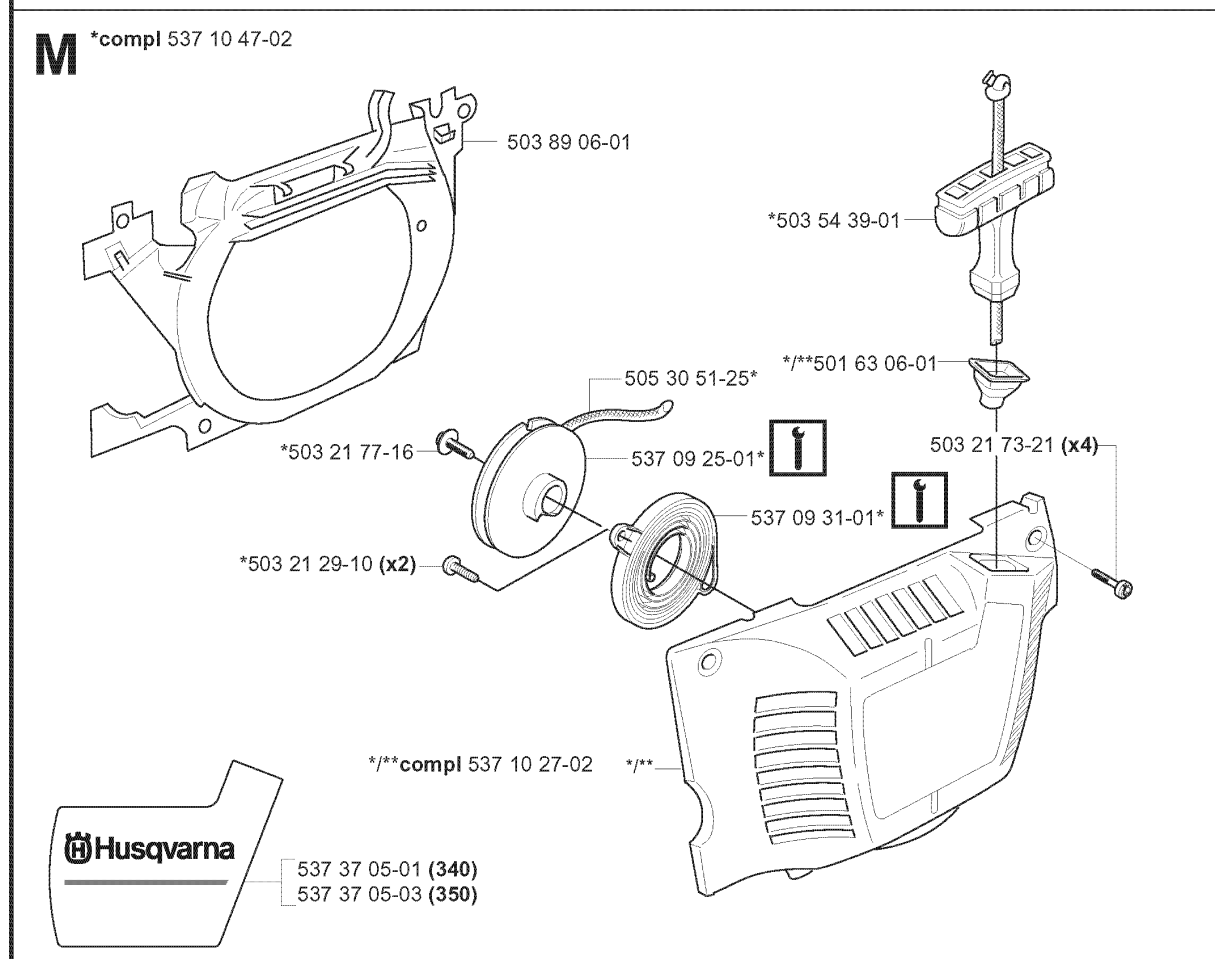
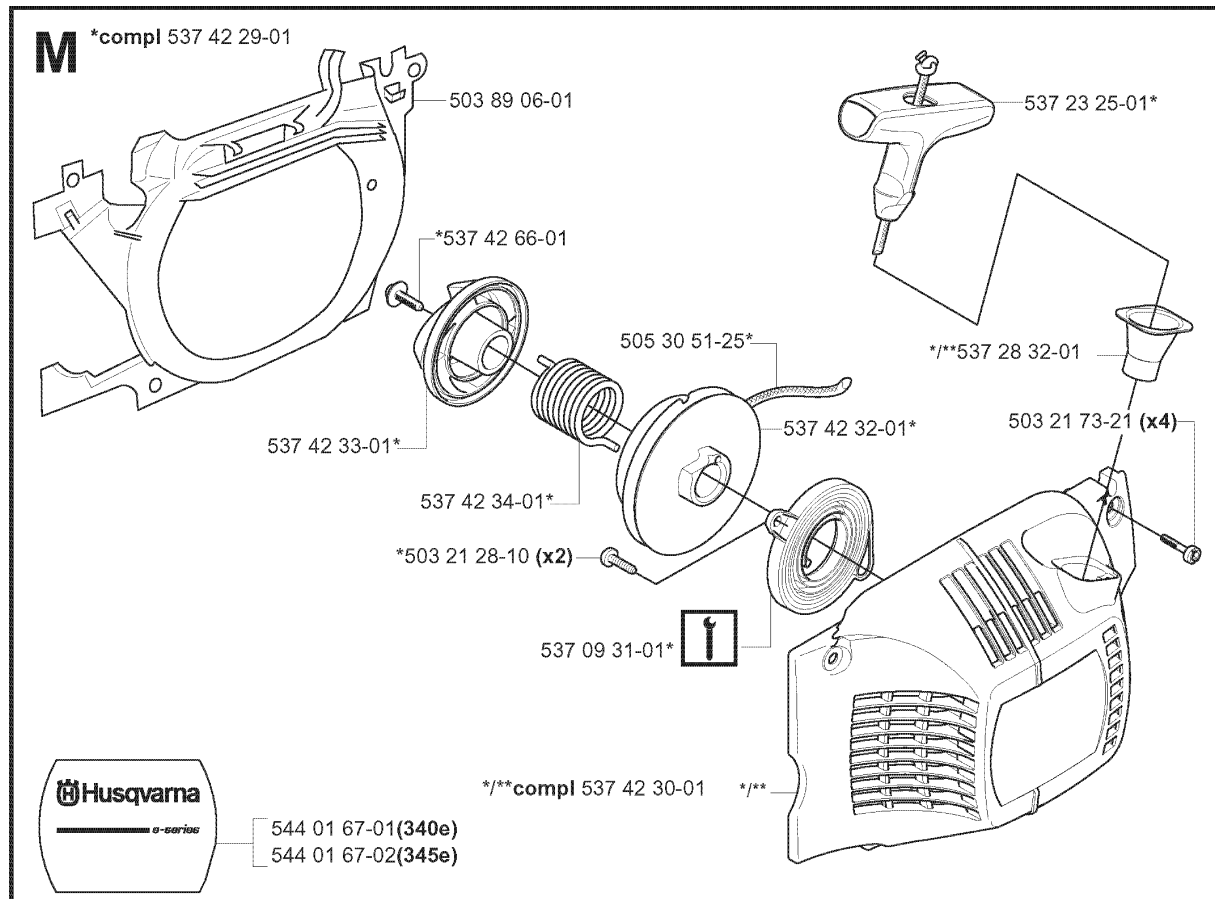
L



HANDLE

345, 20070100001-Current

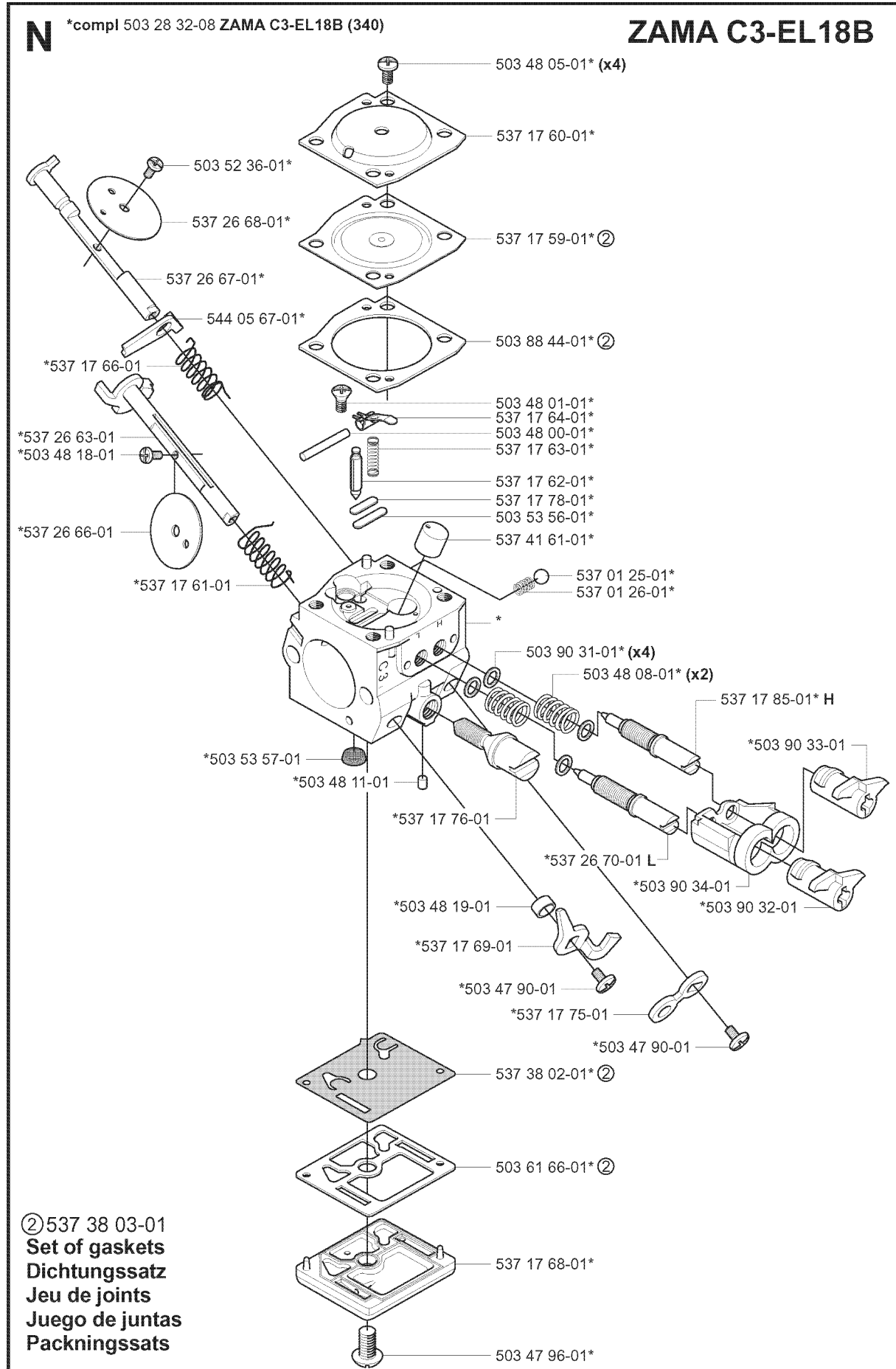
Part No	Description	Remark	QTY KIT
503 21 88-16	SCREW IHSC T		2
503 21 88-16	SCREW IHSC T		2
503 21 88-25	SCREW IHSC FT		3
503 21 88-25	SCREW IHSC FT		3
503 85 37-01	FRONT HANDLE		1
503 89 83-01	ANTIVIBRATION ELEMENT		1
503 89 83-01	ANTIVIBRATION ELEMENT		1
503 92 24-01	SPACER		1
537 30 17-01	HANDLE		1



STARTER

345, 20070100001-Current

Part No	Description	Remark	QTY KIT
501 63 06-01	SLEEVE		1
503 21 28-10	SCREW CCRPANT		2
503 21 29-10	SCREW CCRPANT		2
503 21 73-21	SCREW		4
503 21 73-21	SCREW		4
503 21 77-16	SCREW IHSCT		1
503 54 39-01	STARTER HANDLE		1
503 89 06-01	AIR CONDUCTOR		1
503 89 06-01	AIR CONDUCTOR		1
505 30 51-25	STARTER CORD		1
505 30 51-25	STARTER CORD		1
537 09 25-01	STARTER PULLEY		1
537 09 31-01	SPRING CASSETTE ASSY		1
537 09 31-01	SPRING CASSETTE ASSY		1
537 10 27-02	STARTER HOUSING		1
537 10 47-02	STARTER ASSY		1
537 23 25-01	STARTER HANDLE		1
537 28 32-01	SLEEVE		1
537 37 05-01	LABEL		1
537 37 05-03	LABEL		1
537 42 29-01	STARTER ASSY		1
537 42 30-01	STARTER HOUSING		1
537 42 32-01	STARTER PULLEY		1
537 42 33-01	DRIVER		1
537 42 34-01	SPRING		1
537 42 66-01	SCREW		1
544 01 67-01	LABEL		1
544 01 67-02	LABEL		1



CARBURETOR

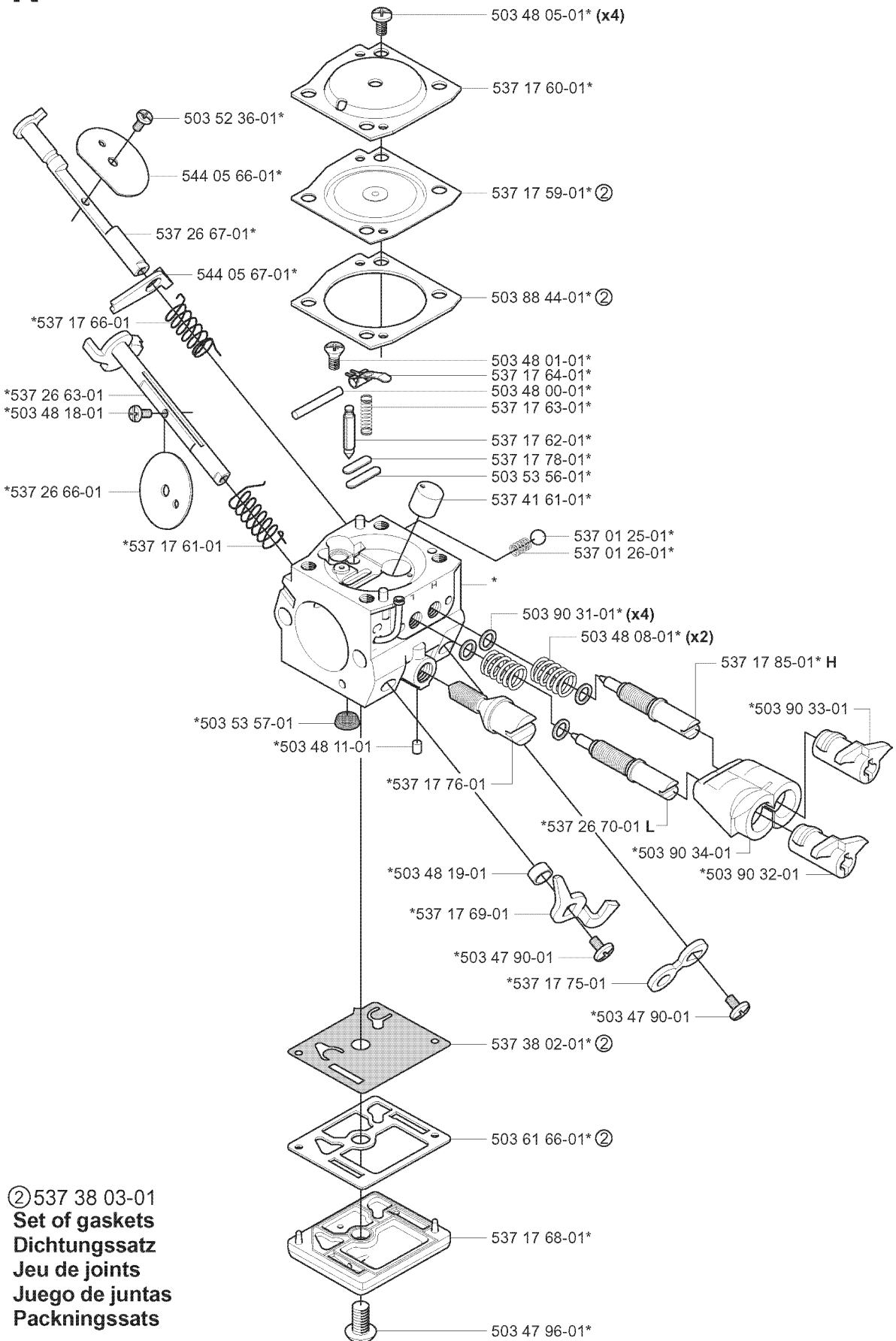
345, 20070100001-Current

Part No	Description	Remark	QTY KIT
503 28 32-08	CARBURETTOR		1
503 47 90-01	SCREW		1
503 47 90-01	SCREW		1
503 47 96-01	SCREW		1
503 48 00-01	PIN RETAINING SCREW		1
503 48 01-01	SCREW		1
503 48 05-01	SCREW		4
503 48 08-01	SPRING		2
503 48 11-01	PIECE		1
503 48 18-01	SCREW		1
503 48 19-01	COLLAR		1
503 52 36-01	SCREW		1
503 53 56-01	PLUG WELCH		1
503 53 57-01	STRAINER		1
503 61 66-01	GASKET		1
503 88 44-01	GASKET		1
503 90 31-01	WASHER		4
503 90 32-01	LIMITER CAP		1
503 90 33-01	LIMITER CAP		1
503 90 34-01	RETAINER		1
537 01 25-01	BALL		1
537 01 26-01	SPRING		1
537 17 59-01	DIAPHRAGM		1
537 17 60-01	COVER		1
537 17 61-01	SPRING		1
537 17 62-01	VALVE		1
537 17 63-01	SPRING		1
537 17 64-01	LEVER		1
537 17 66-01	SPRING		1
537 17 68-01	COVER		1
537 17 69-01	LEVER		1
537 17 75-01	LEVER		1
537 17 76-01	SCREW		1
537 17 78-01	PLUG		1
537 17 85-01	SCREW		1
537 26 63-01	SHAFT ASSY		1
537 26 66-01	VALVE		1
537 26 67-01	SHAFT ASSY		1
537 26 68-01	VALVE		1
537 26 70-01	SCREW		1
537 38 02-01	DIAPHRAGM		1
537 41 61-01	NOZZLE ASSY		1
544 05 67-01	LEVER		1

N

*compl 503 28 32-10 ZAMA C3-EL32 (340e, 345e, 350)

ZAMA C3-EL32



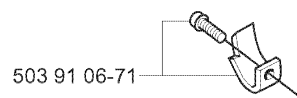
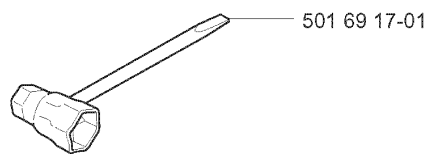
② 537 38 03-01
Set of gaskets
Dichtungssatz
Jeu de joints
Juego de juntas
Packningssatz

CARBURETOR

345, 20070100001-Current

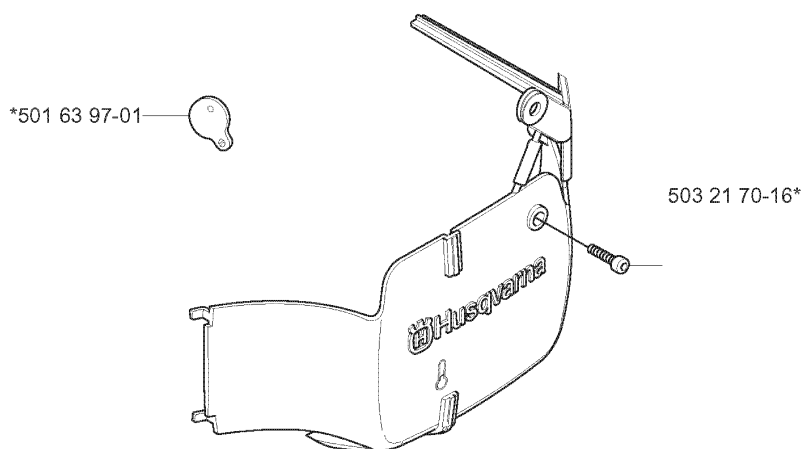
Part No	Description	Remark	QTY KIT
503 28 32-10	CARBURETTOR		1
503 47 90-01	SCREW		1
503 47 90-01	SCREW		1
503 47 96-01	SCREW		1
503 48 00-01	PIN RETAINING SCREW		1
503 48 01-01	SCREW		1
503 48 05-01	SCREW		4
503 48 08-01	SPRING		2
503 48 11-01	PIECE		1
503 48 18-01	SCREW		1
503 48 19-01	COLLAR		1
503 52 36-01	SCREW		1
503 53 56-01	PLUG WELCH		1
503 53 57-01	STRAINER		1
503 61 66-01	GASKET		1
503 88 44-01	GASKET		1
503 90 31-01	WASHER		4
503 90 32-01	LIMITER CAP		1
503 90 33-01	LIMITER CAP		1
503 90 34-01	RETAINER		1
537 01 25-01	BALL		1
537 01 26-01	SPRING		1
537 17 59-01	DIAPHRAGM		1
537 17 60-01	COVER		1
537 17 61-01	SPRING		1
537 17 62-01	VALVE		1
537 17 63-01	SPRING		1
537 17 64-01	LEVER		1
537 17 66-01	SPRING		1
537 17 68-01	COVER		1
537 17 69-01	LEVER		1
537 17 75-01	LEVER		1
537 17 76-01	SCREW		1
537 17 78-01	PLUG		1
537 17 85-01	SCREW		1
537 26 63-01	SHAFT ASSY		1
537 26 66-01	VALVE		1
537 26 67-01	SHAFT ASSY		1
537 26 70-01	SCREW		1
537 38 02-01	DIAPHRAGM		1
537 41 61-01	NOZZLE ASSY		1
544 05 66-01	CHOKE VALVE		1
544 05 67-01	LEVER		1

P Tillbehör
 Accessories
 Zubehöre
 Accessoires
 Accesorios



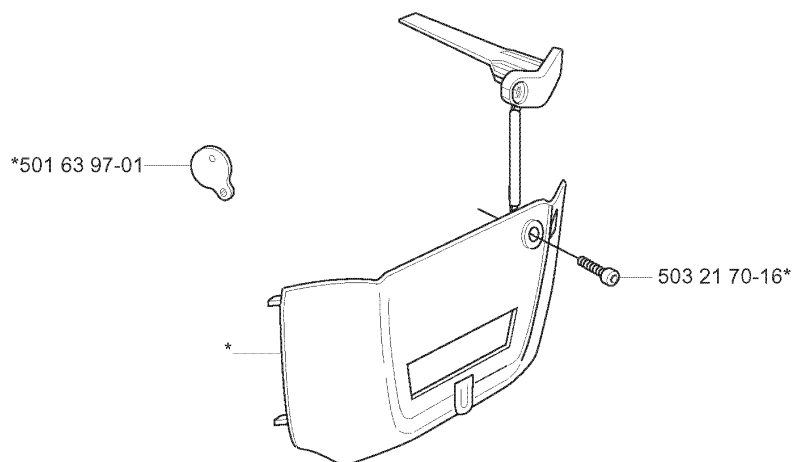
Winter kit

*compl 544 01 31-01 (340e, 345e)



Winter kit

*compl 537 04 28-02 (340, 350)



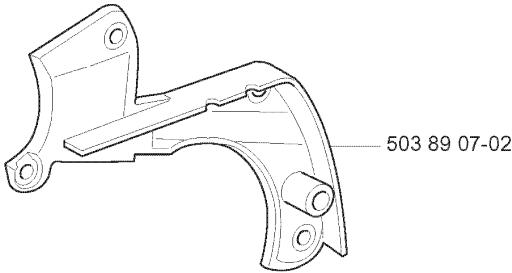
ACCESSORIES

345, 20070100001-Current

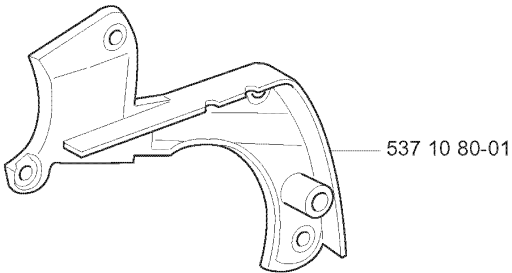
Part No	Description	Remark	QTY KIT
501 63 97-01	COVER		1
501 63 97-01	COVER		1
501 69 17-01	COMBINATION WRENCH		1
503 21 70-16	SCREW CCRPANT		1
503 21 70-16	SCREW CCRPANT		1
503 91 06-71	KIT		1
537 04 28-02	KIT		1
544 01 31-01	WINTER KIT		1

Q

Up to 991499999



**From 991500001
to 001400001**



SERVICE UPDATES

345, 20070100001-Current

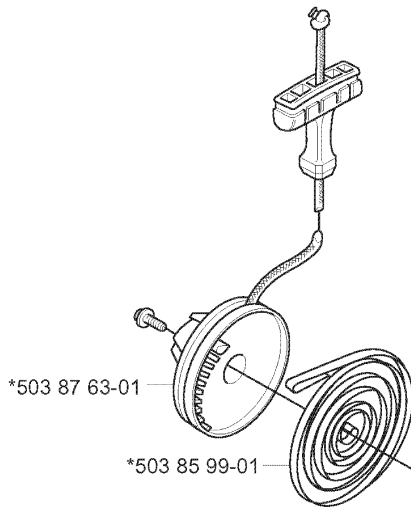
Part No	Description	Remark	QTY KIT
503 89 07-02	HUB CAP		1
537 10 80-01	HUB CAP		1



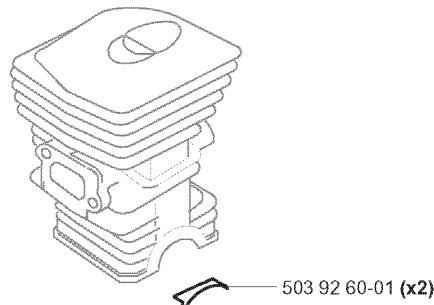
Up to 010604200 (340)
Up to 010602850 (345)
Up to 010702450 (350)



Up to 052299999 (345)

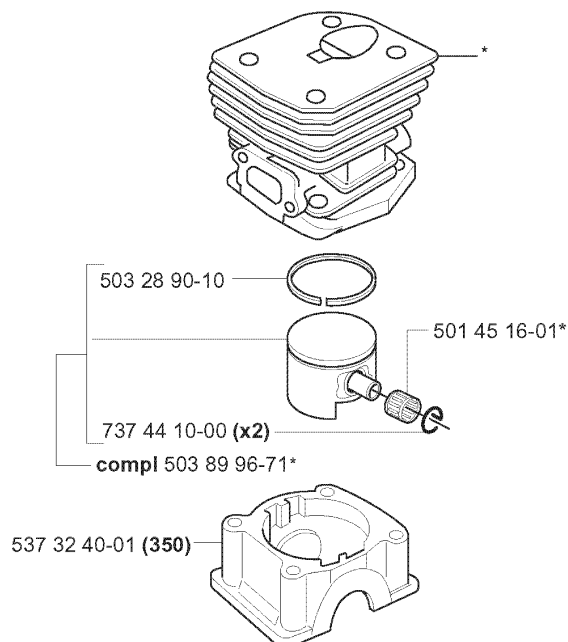


Up to 000601101 (340, 345)



Up to 030103001
Only EPA (350)

*compl 503 86 99-71 (350)



SERVICE UPDATES

345, 20070100001-Current

Part No	Description	Remark	QTY KIT
501 45 16-01	NEEDLE BEARING		1
503 28 90-10	PISTON RING		1
503 85 99-01	RECOIL SPRING		1
503 86 99-71	CYLINDER ASSY		1
503 87 63-01	STARTER PULLEY		1
503 89 96-71	PISTON ASSY		1
503 92 60-01	COVER PLATE		2
537 32 40-01	BEARING COVER		1
537 37 05-02	LABEL		1
737 44 10-00	SNAP RING		2