

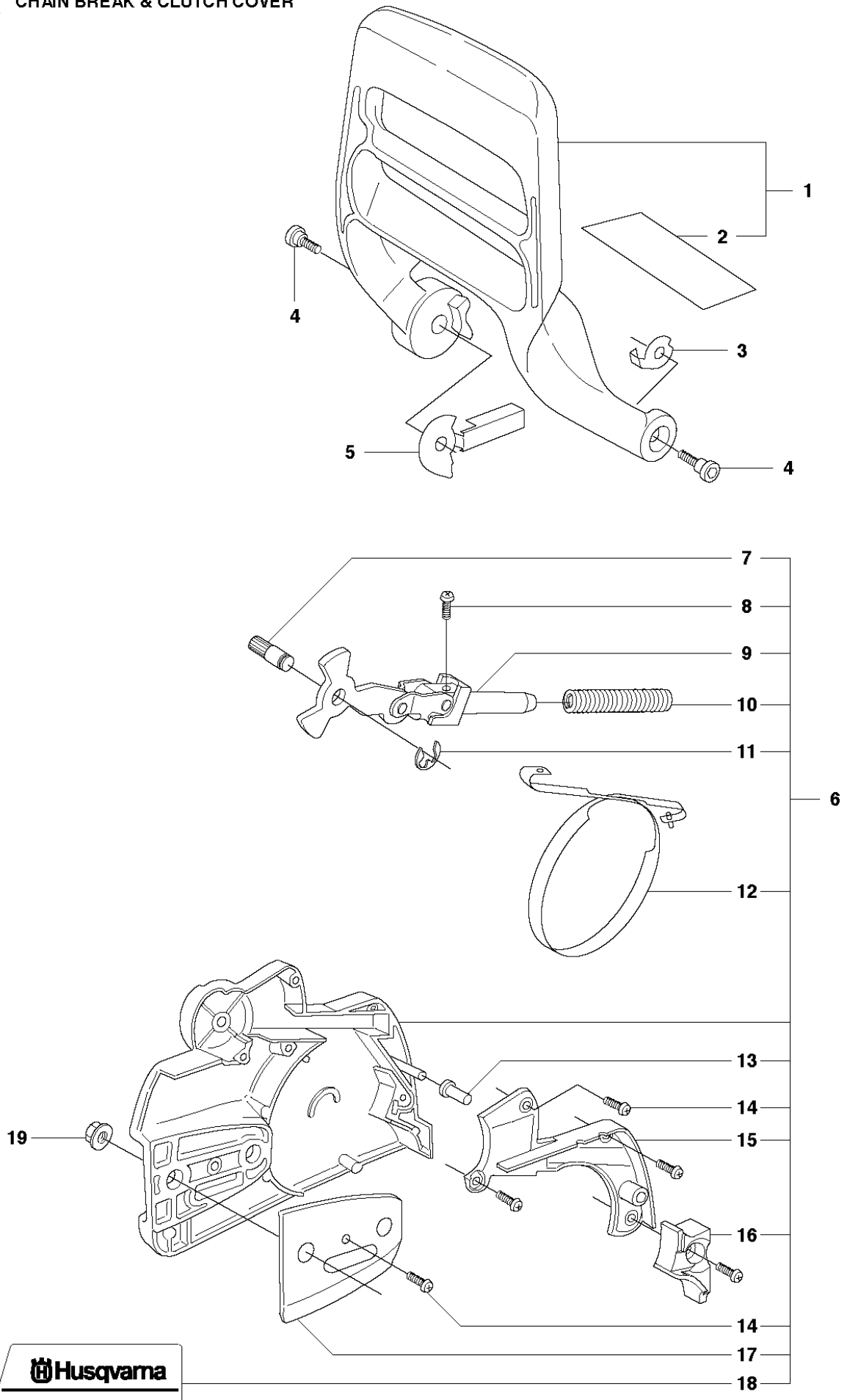


SPARE PARTS LIST

CHAIN SAWS

346 XP, from 20152700001-current

A 346XP
CHAIN BREAK & CLUTCH COVER

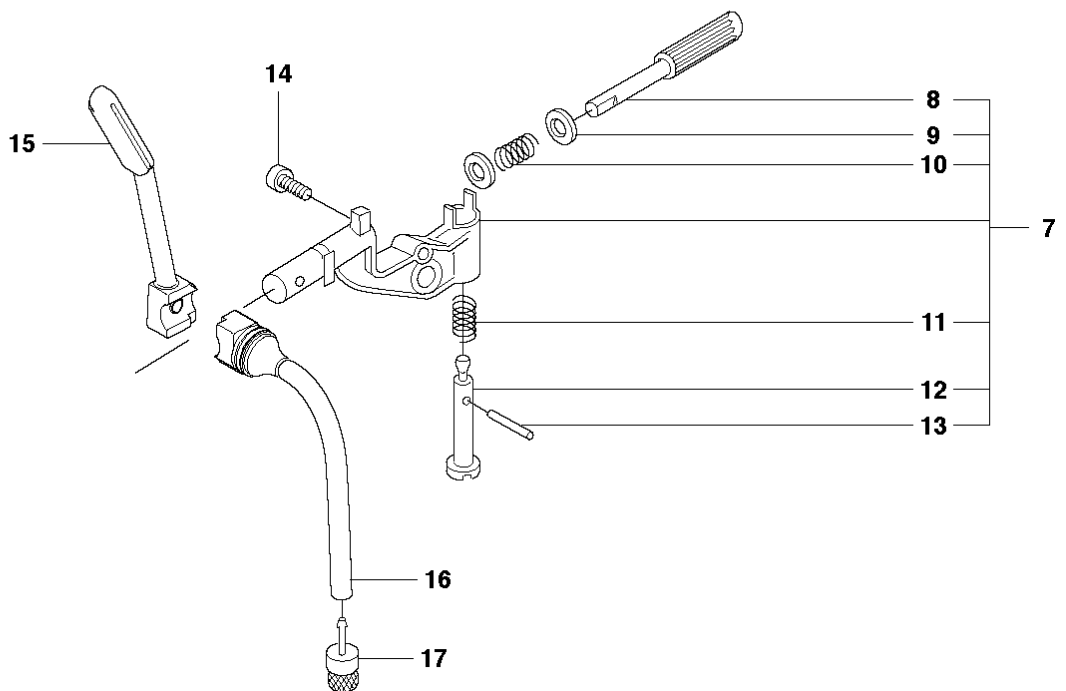
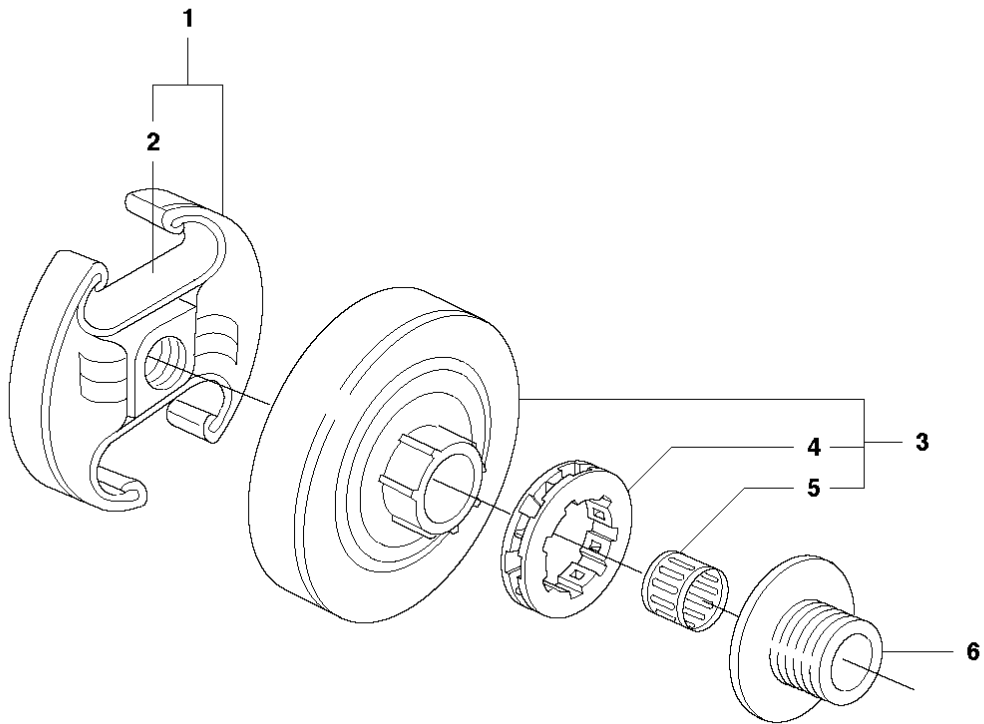


CHAIN BRAKE & CLUTCH COVER

346 XP, from 20152700001-current

Ref	Part No	Description	Remark	QTY	KIT
1	537 15 28-01	HAND GUARD		1	
2	537 15 27-01	HEAT PROTECTOR		1	
3	503 92 95-01	WEAR WASHER		1	1
4	503 89 30-03	SCREW		2	
5	537 02 99-01	WEAR PROTECTION		1	
6	537 10 78-04	CHAIN BRAKE	grey, 346XP	1	
7	503 89 29-01	PIN		1	6
8	503 21 70-10	SCREW CCRPANT		1	6
9	503 89 08-02	KNEE JOINT ASSY		1	6
10	503 46 59-01	BRAKE SPRING		1	6
11	735 31 08-20	E-CLIP		1	6
12	537 04 30-01	BRAKE BAND ASSY		1	6
13	503 85 52-01	GUIDE BUSHING		1	6
14	503 21 70-72	SCREW CCRPANT		5	6
15	537 10 80-02	HUB CAP		1	6
16	537 08 90-01	WEAR PROTECTION		1	6
17	503 85 66-01	COVER PLATE		1	6
18	537 37 04-01	LABEL		1	6
19	503 22 00-01	HEXAGON NUT		2	

B 346XP
CLUTCH & OIL PUMP

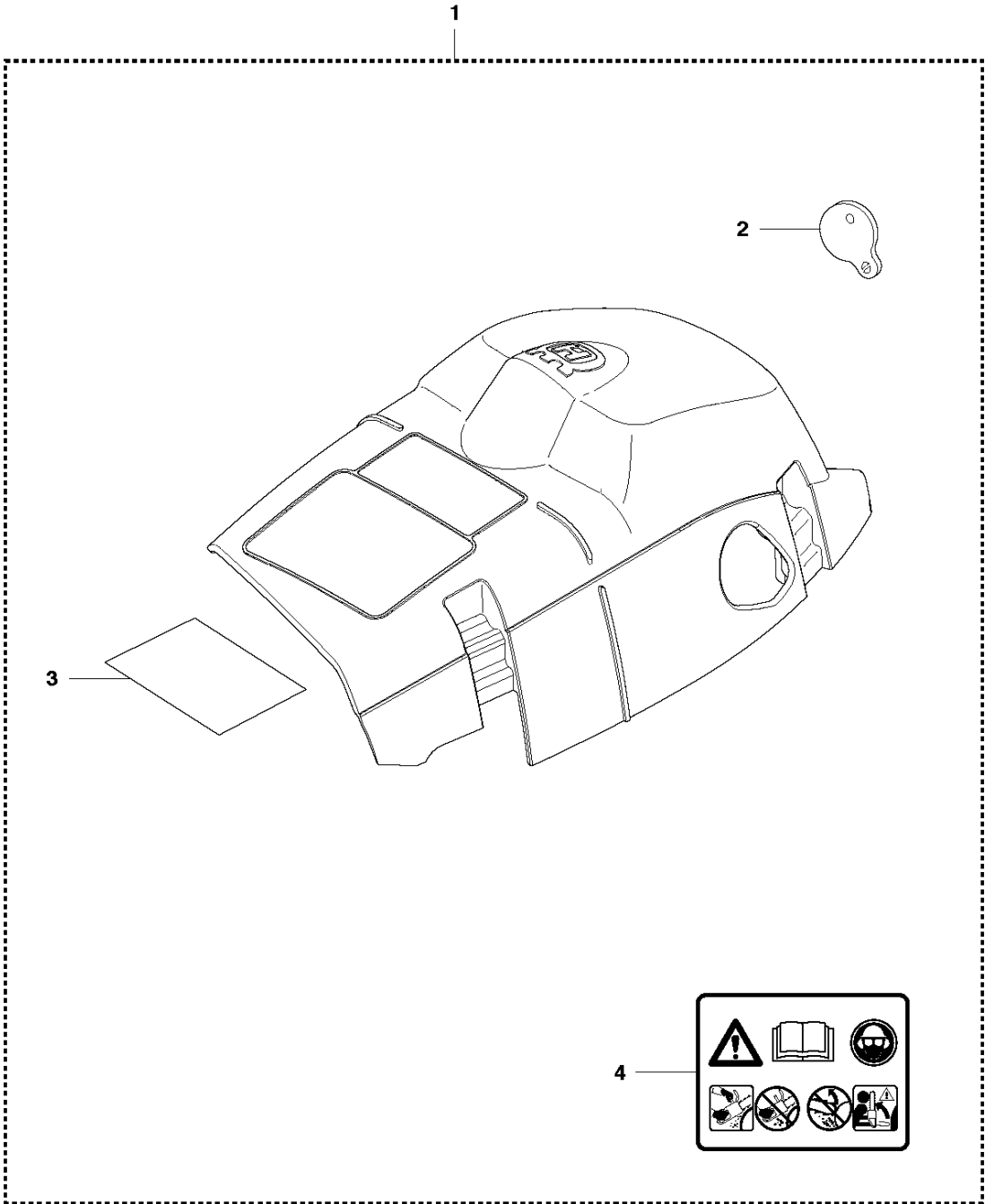


CLUTCH & OIL PUMP

346 XP, from 20152700001-current

Ref	Part No	Description	Remark	QTY	KIT
1	537 11 05-03	CLUTCH ASSY		1	
2	537 35 91-01	CLUTCH SPRING		2	1
3	503 98 00-02	CLUTCH DRUM		1	
4	501 45 74-02	RIM		1	3
5	503 25 52-01	NEEDLE BEARING		1	3
6	503 89 21-03	PUMP PINION		1	
7	544 18 01-03	OIL PUMP ASSY		1	
8	537 06 91-02	PUMP PISTON		1	7
9	503 23 00-60	WASHER		2	7
10	503 89 16-01	SPRING		1	7
11	503 89 15-01	SPRING		1	7
12	537 02 71-01	ADJUSTER		1	7
13	721 11 64-30	GROOVED PIN		1	7
14	503 21 74-12	SCREW IHST		1	
15	537 41 32-01	OIL PRESSURE HOSE		1	
16	537 10 11-02	OIL HOSE		1	
17	504 71 00-03	OIL PLUMMET		1	

C 346XP
CYLINDER COVER

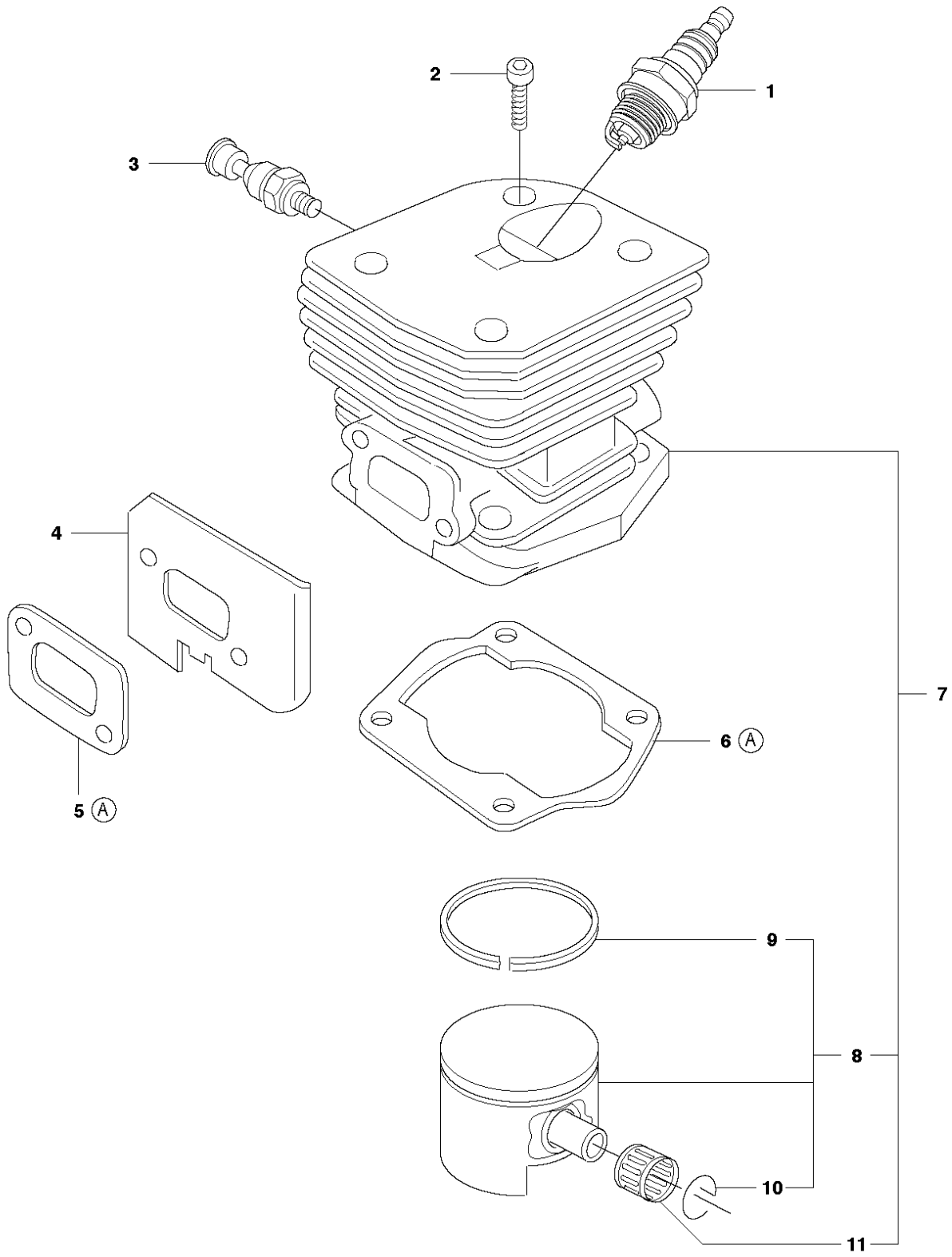


CYLINDER COVER

346 XP, from 20152700001-current

Ref	Part No	Description	Remark	QTY	KIT
1	504 05 43-01	CYLINDER COVER ASSY		1	
2	501 63 97-01	COVER		1	1
3	503 84 59-01	HEAT PROTECTOR		1	1
4	503 98 74-01	LABEL		1	1

D 346XP
CYLINDER PISTON



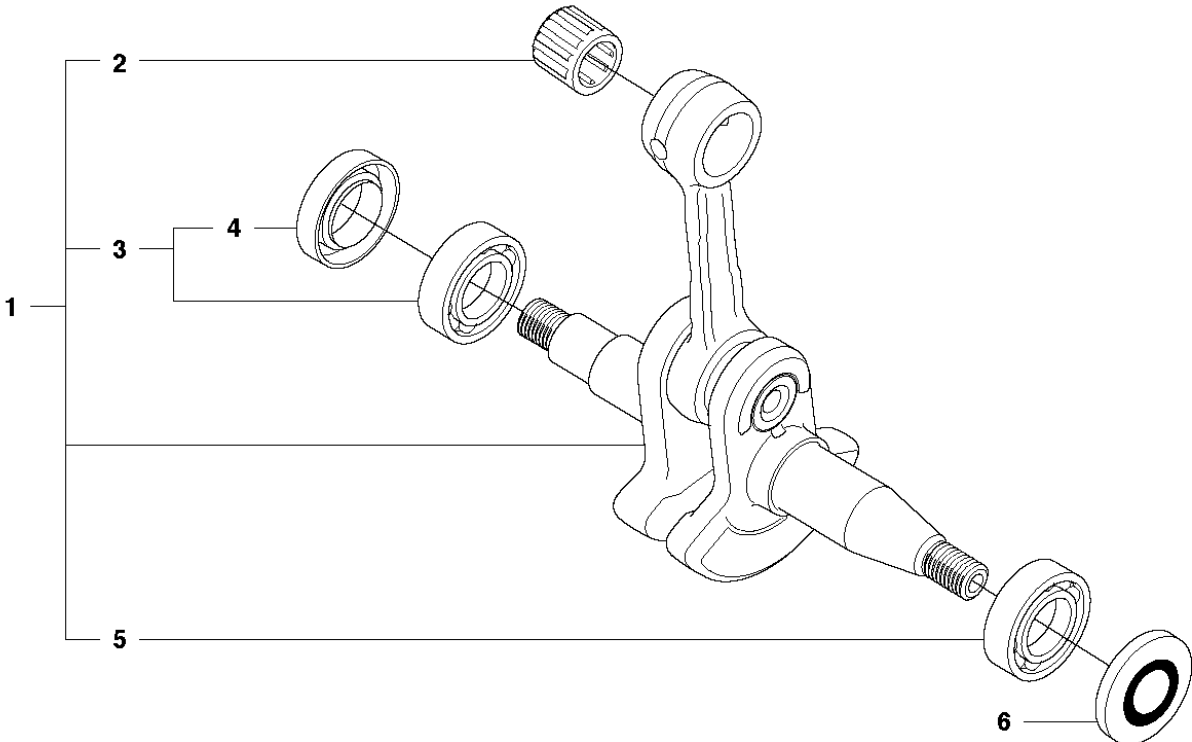
12
Ⓐ 503 94 28-02
Set of gaskets

CYLINDER PISTON

346 XP, from 20152700001-current

Ref	Part No	Description	Remark	QTY	KIT
1	503 23 51-08	SPARK PLUG		1	
2	725 53 33-55	SCREW IHSCM		4	
3	503 66 54-01	DECOMPRESSION VALVE		1	
4	503 97 13-01	HEAT DEFLECTOR		1	
5	503 86 25-01	GASKET		1	12
6	503 89 44-01	GASKET		1	12
7	544 14 29-07	CYLINDER	346XP 50 cc	1	
7	544 14 29-08	CYLINDER	346XP decomp 50 cc	1	
7	503 86 98-72	CYLINDER ASSY	346XP Japan 45 cc	1	
8	525 47 01-02	PISTON ASSY	346XP 50 cc, 346XP decomp 50 cc	1	7
8	503 90 73-71	PISTON ASSY	346XP Japan 45 cc	1	7
9	503 28 90-56	PISTON RING	346XP 50 cc, 346XP decomp 50 cc	1	8
9	503 28 90-05	PISTON RING	346XP Japan 45 cc	1	8
10	737 44 10-00	SNAP RING		2	8
11	501 45 16-01	NEEDLE BEARING		1	7
12	503 94 28-02	GASKET KIT	A = Set of gaskets	1	

E 346XP
CRANKSHAFT

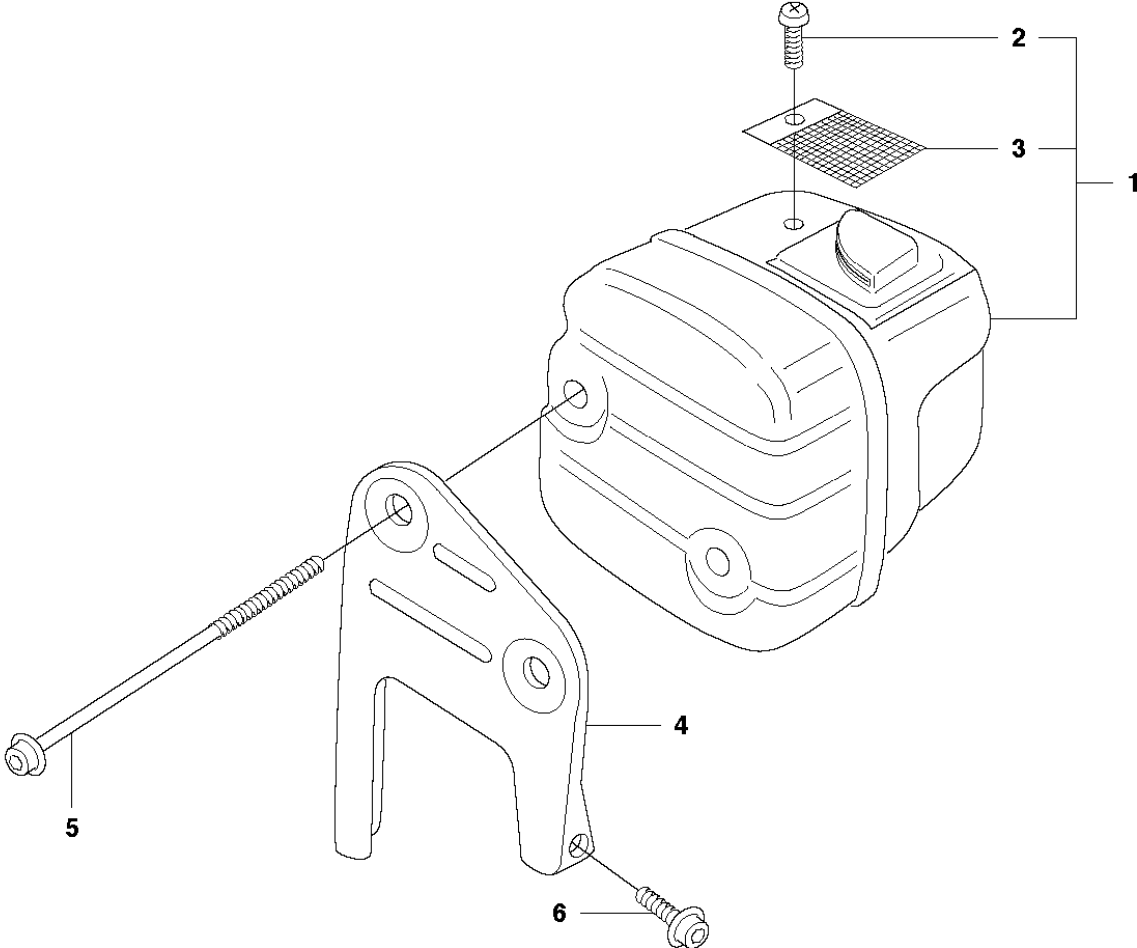


CRANKSHAFT

346 XP, from 20152700001-current

Ref	Part No	Description	Remark	QTY	KIT
1	504 20 68-02	CRANKSHAFT		1	
2	501 45 16-01	NEEDLE BEARING		1	1
3	525 43 42-01	BALL BEARING		1	1
4	505 41 61-01	RADIAL SEAL		1	3
5	738 22 02-25	BALL BEARING		1	1
6	505 27 57-19	SEALING RING		1	

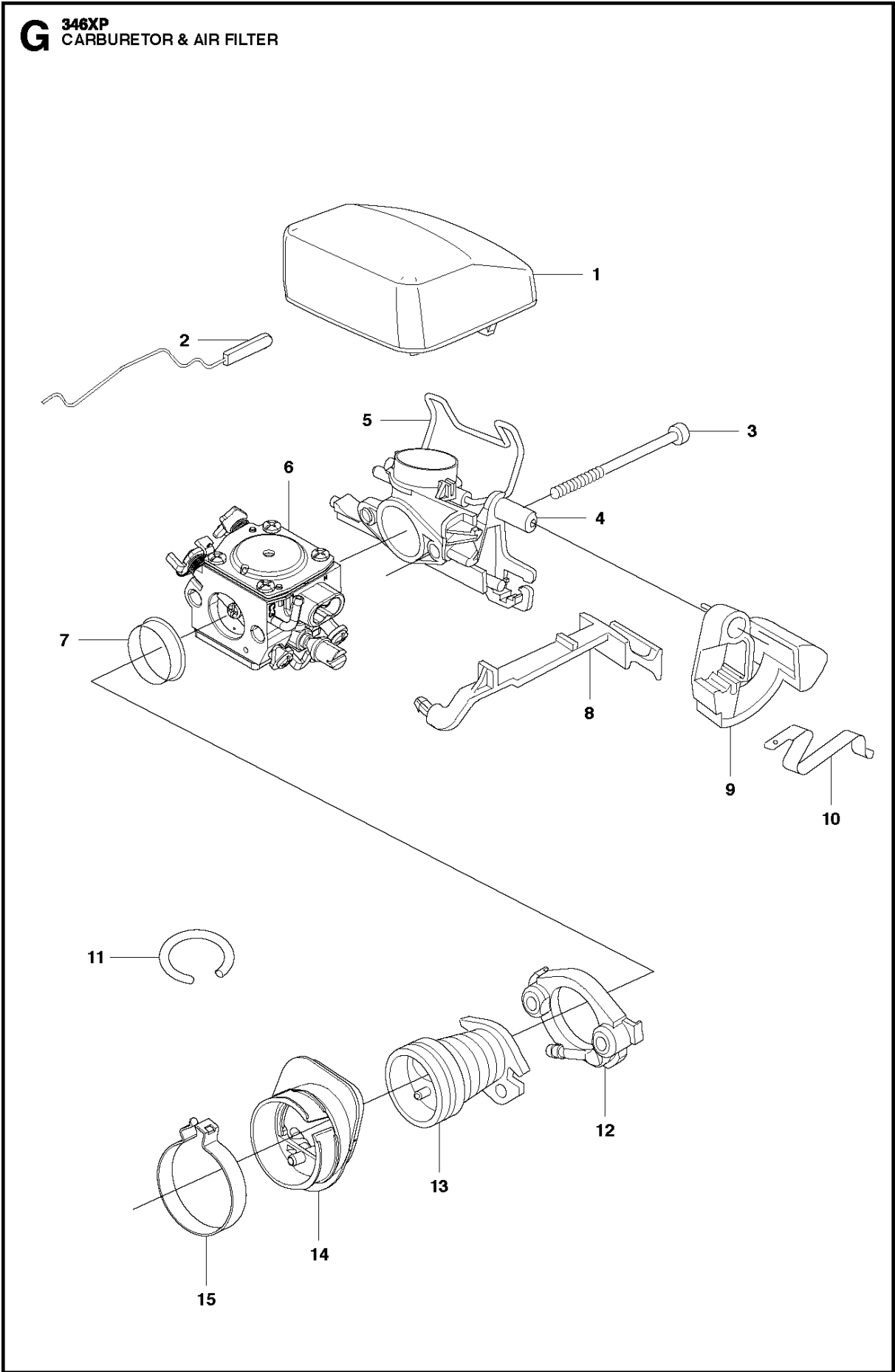
F 346XP
MUFFLER



MUFFLER

346 XP, from 20152700001-current

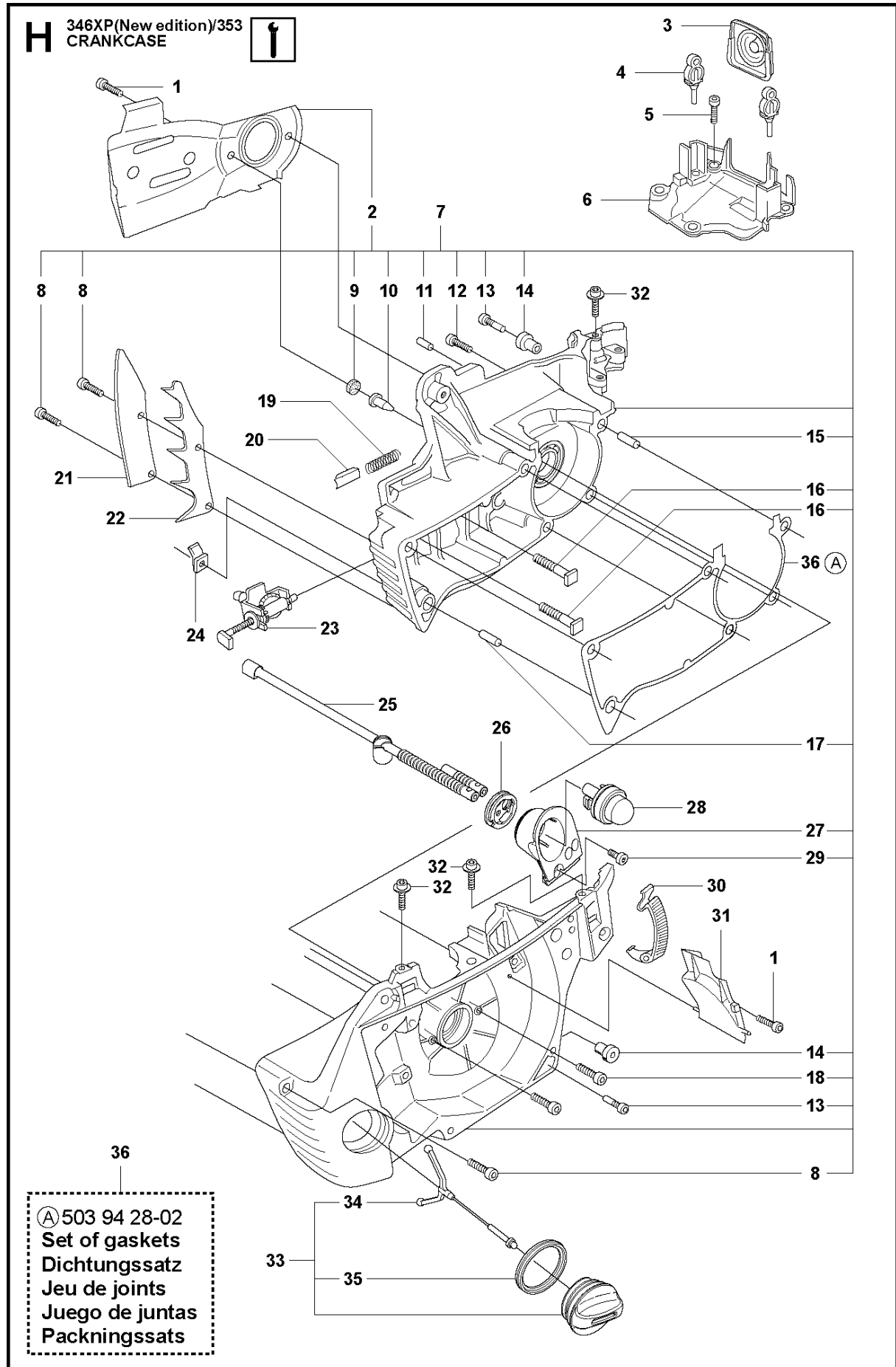
Ref	Part No	Description	Remark	QTY	KIT
1	544 02 83-01	MUFFLER ASSY	DF	1	
1	544 02 85-01	MUFFLER ASSY	E-tech	1	
2	724 12 87-59	SCREW CRPANM	DF	1	1
2	724 12 87-59	SCREW CRPANM	E-tech	1	1
3	503 86 36-01	SPARK ARRESTER SCREEN	DF	1	1
3	503 86 36-01	SPARK ARRESTER SCREEN	E-tech	1	1
4	544 80 98-01	SUPPORT		1	
5	503 20 45-87	SCREW IHSCFM		2	
6	503 20 07-76	SCREW IHSCFM		1	



CARBURETOR & AIR FILTER

346 XP, from 20152700001-current

Ref	Part No	Description	Remark	QTY KIT
1	537 26 49-01	AIR FILTER	NYLON 80my Black	1
1	537 26 49-02	AIR FILTER	NYLON 44my Yellow	1
1	537 26 49-03	AIR FILTER	FELT White	1
2	503 88 92-01	THROTTLE ROD		1
3	503 21 74-50	SCREW IH SCT		2
4	544 36 05-01	INLET ELBOW		1
5	537 39 31-02	CLAMP		1
6	580 74 02-01	CARBURETTOR	C3-EL51	1
7	537 02 90-01	SUPPORT RING		1
8	503 86 96-01	CHOKE CONTROL		1
9	503 86 95-02	STOP SWITCH		1
10	503 86 97-02	SPRING		1
11	544 32 51-01	HOSE		1
12	544 45 29-01	FLANGE		1
13	503 86 63-02	BELLOWS		1
14	537 42 28-01	INSULATION WALL		1
15	537 43 88-01	CLIP		1

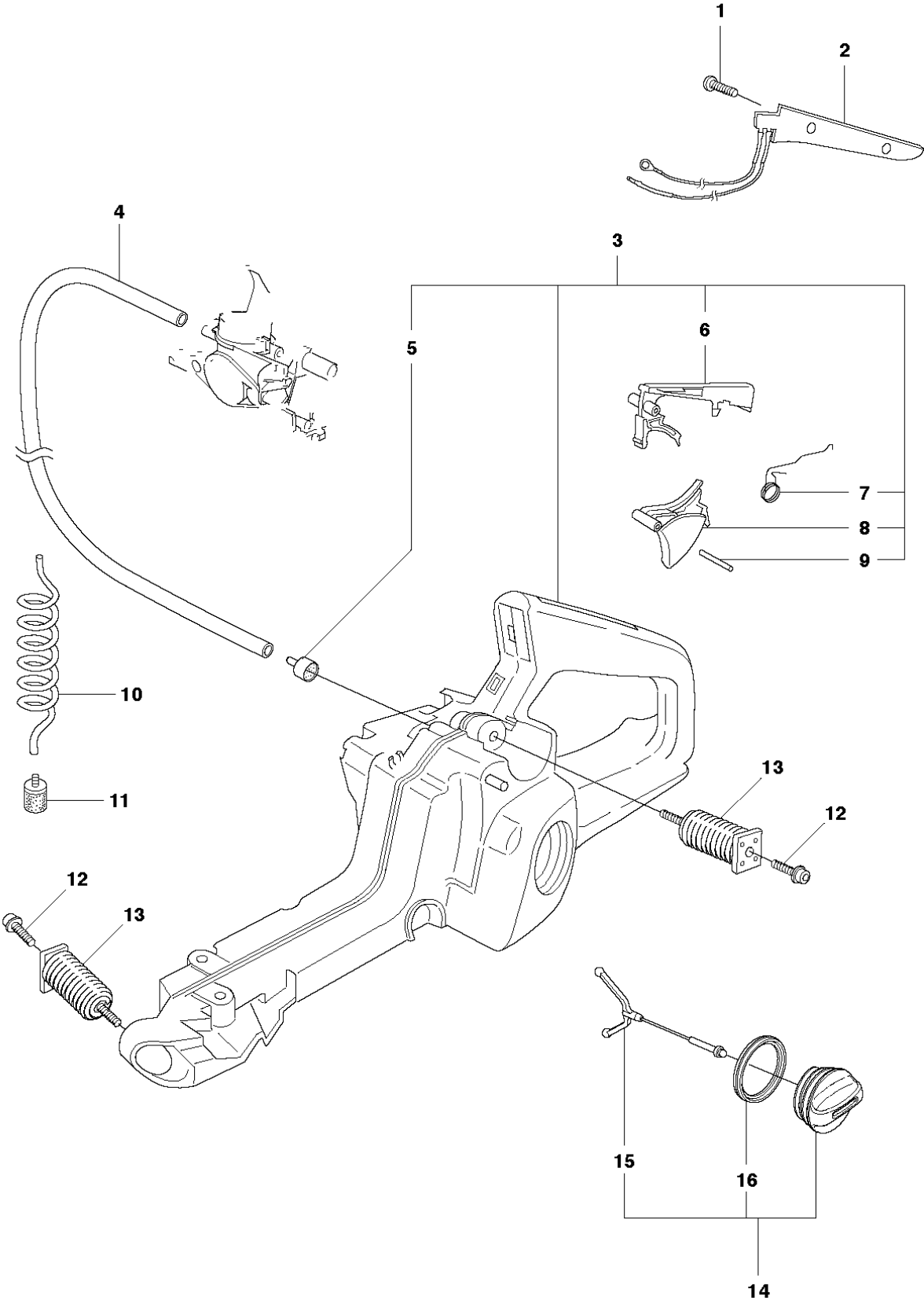


CRANKCASE

346 XP, from 20152700001-current

Ref	Part No	Description	Remark	QTY	KIT
1	503 21 74-12	SCREW IHST		3	
2	537 40 56-01	CHAIN GUIDE PLATE		1	7
3	537 14 65-01	BELLOWS		1	
4	503 86 93-01	SUPPORT		2	
5	503 21 75-12	SCREW IHSCFT		4	
6	544 36 07-01	CARBURETTOR		1	
7	537 17 19-05	CRANKCASE ASSY		1	
8	503 20 07-76	SCREW IHSCFM		3	7
9	537 40 35-01	FILTER		1	7
10	530 02 61-19	CHECK VALVE		1	7
11	721 12 07-30	GROOVED PIN		1	7
12	503 20 08-70	SCREW IHSCM		6	7
13	503 21 51-01	SCREW IHST		2	7
14	503 86 92-01	BUSHING		2	7
15	503 90 56-01	GUIDE BUSHING		1	7
16	503 87 54-01	BAR BOLT		2	7
17	503 90 56-01	GUIDE BUSHING		1	7
18	503 20 25-16	SCREW IHSCM		2	7
19	503 43 65-01	POSITION SPRING		1	
20	503 89 24-01	LOCK		1	
21	503 93 04-01	BUMPER		1	
22	503 90 59-01	SPIKE		1	
23	537 07 12-01	CHAIN TENSIONER		1	23
24	503 88 63-01	PIN		1	
25	544 33 10-02	HOSE		1	
26	504 01 09-01	LINING		1	
27	579 34 72-01	BRACKET		1	7
28	503 93 66-01	PURGE		1	
29	544 44 97-01	SCREW IHST		1	7
30	503 89 47-03	SNAP LOCKING	grey, 346XP	3	
31	503 88 86-01	AIR NOZZLE		1	
32	503 21 39-01	SCREW IHST		3	
33	537 28 15-02	TANK CAP ASSY		1	
34	503 57 89-01	HOLDER		1	33
35	501 62 68-01	GASKET		1	33
36	503 94 28-02	GASKET KIT	A = Set of gaskets	1	

J 346XP
HANDLE & CONTROLS

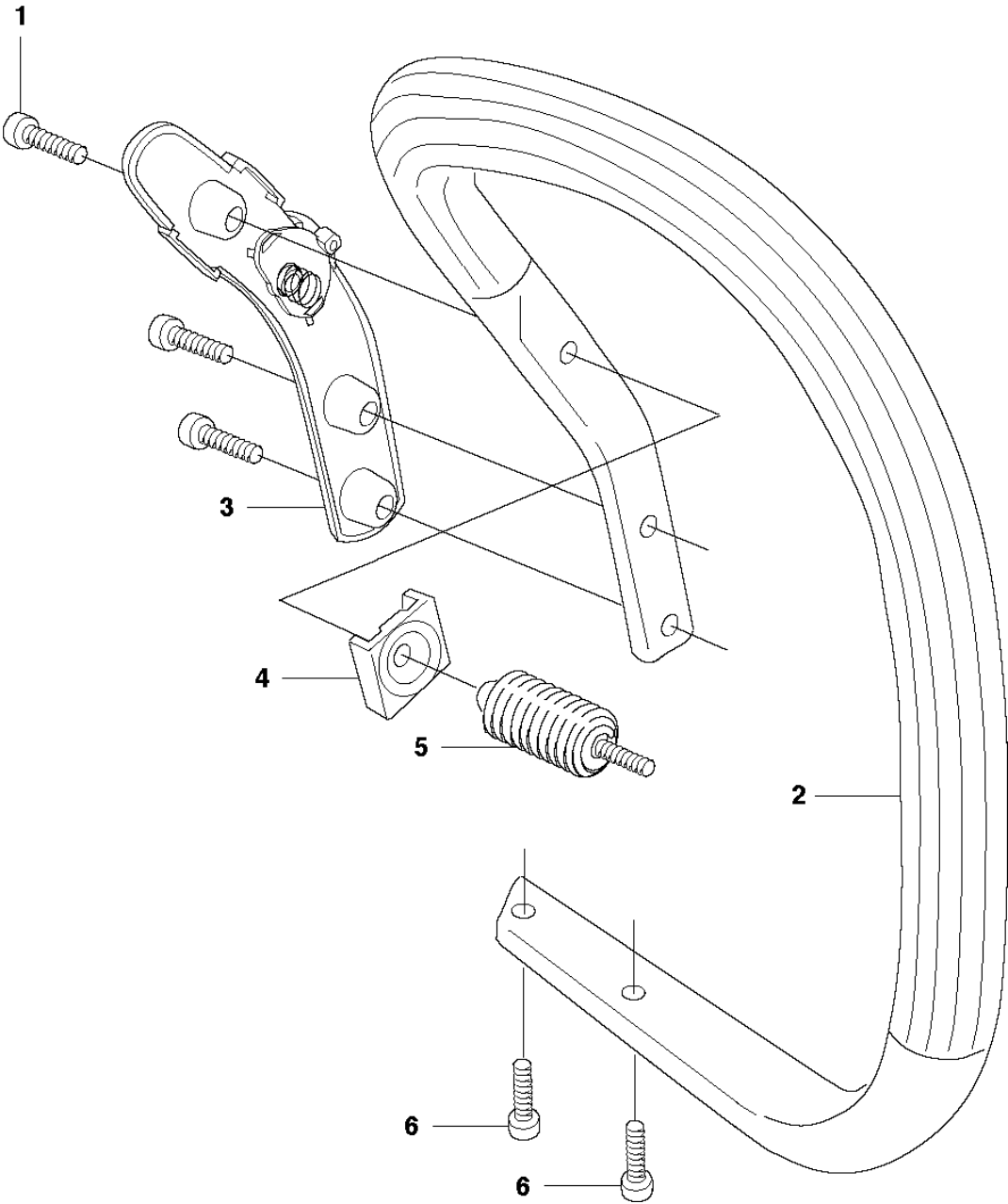


HANDLE & CONTROLS

346 XP, from 20152700001-current

Ref	Part No	Description	Remark	QTY	KIT
1	503 21 38-01	SCREW CRCSRT	XPG	2	
2	503 92 61-02	HEATING PLATE	XPG	1	
3	503 86 37-03	FUEL TANK		1	
4	544 32 49-20	FUEL HOSE		1	
5	537 35 95-01	TANK VENT ASSY		1	3
6	503 85 44-01	THROTTLE LOCKOUT		1	3
7	503 99 86-01	RECOIL SPRING		1	3
8	503 85 45-01	TRIGGER		1	3
9	720 18 25-20	PARALLEL PIN		1	3
10	544 32 50-02	FUEL HOSE		1	
11	503 44 32-01	FUEL FILTER		1	
12	503 21 88-76	SCREW IHSC T		2	
13	503 85 41-01	ANTIVIBRATION ELEMENT		2	
14	537 21 52-02	TANK CAP ASSY	Std	1	
14	537 21 52-03	TANK CAP ASSY	E-tech	1	
15	503 57 89-01	HOLDER		1	14
16	537 21 50-01	SEALING		1	14

K 346XP
HANDLE

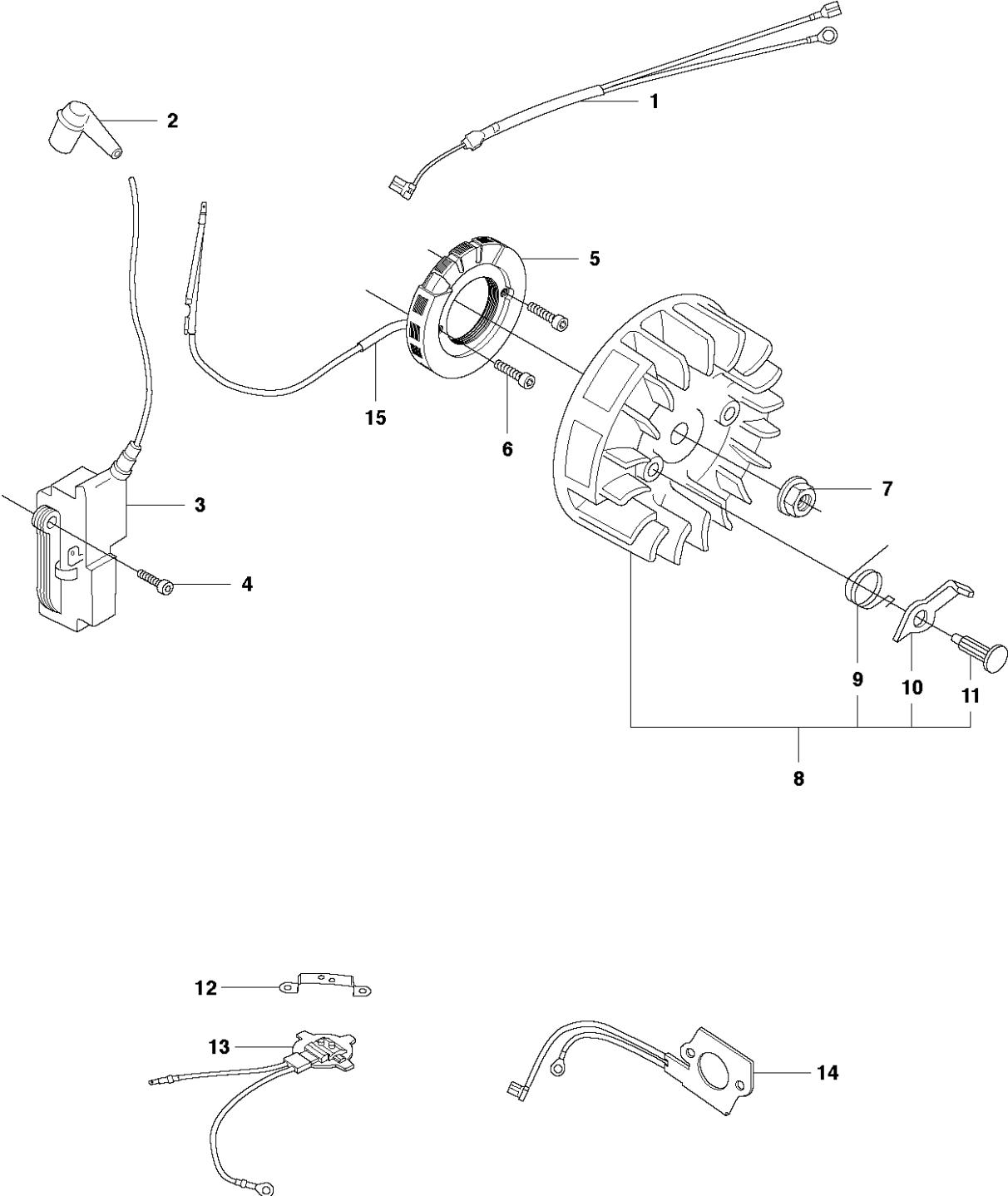


HANDLE

346 XP, from 20152700001-current

Ref	Part No	Description	Remark	QTY KIT
1	503 21 88-76	SCREW IHSCT		3
2	537 30 17-01	HANDLE		1
2	537 30 17-02	HANDLE	XPG	1
3	537 32 68-01	CONTACT	XPG	1
4	503 92 24-01	SPACER		1
5	503 89 83-01	ANTIVIBRATION ELEMENT		1
6	503 21 88-72	SCREW IHSCT		2

L 346XP
ELECTRICAL

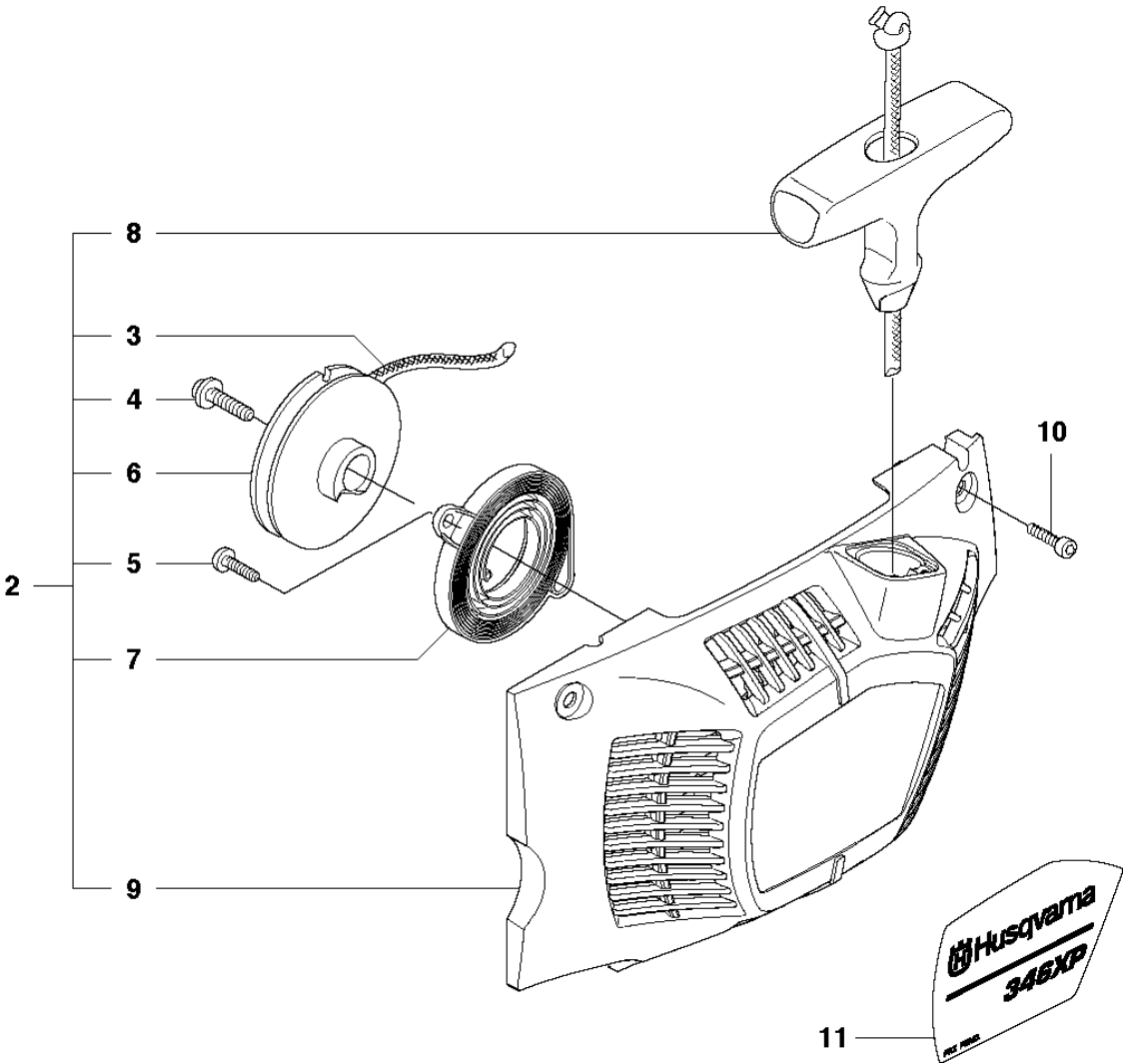
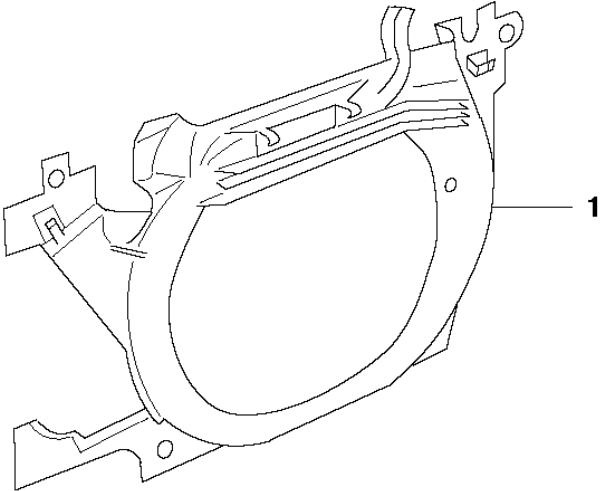


ELECTRICAL

346 XP, from 20152700001-current

Ref	Part No	Description	Remark	QTY KIT
1	503 89 87-06	WIRING ASSY	XPG/G, Heated carb	1
1	503 89 87-04	WIRING ASSY	XPG/G	1
2	501 48 54-02	SPARK PLUG CAP	compl	1
3	544 04 70-01	IGNITION MODULE	353/346XP Japan	1
3	510 11 55-01	IGNITION MODULE	346XP New Edition	1
4	503 21 55-25	SCREW IH SCT		2
5	537 33 02-01	GENERATOR STATOR	XPG/G	1
5	502 60 96-01	GENERATOR STATOR	XPG/G, Heated carb	1
6	503 20 25-16	SCREW IHSCM		2
7	503 22 04-01	NUT		1
8	503 82 43-01	FLYWHEEL		1
8	503 82 43-04	FLYWHEEL	XPG/G	1
8	503 82 43-05	FLYWHEEL	XPG/G, Heated carb	1
9	503 78 32-01	SPRING		2
9	503 78 32-01	SPRING	XPG/G	2
9	503 78 32-01	SPRING	XPG/G, Heated carb	2
10	503 89 50-01	STARTER PAWL		2
10	503 89 50-01	STARTER PAWL	XPG/G	2
10	503 89 50-01	STARTER PAWL	XPG/G, Heated carb	2
11	503 79 05-02	RIVET		2
11	503 79 05-02	RIVET	XPG/G	2
11	503 79 05-02	RIVET	XPG/G, Heated carb	2
12	537 06 04-02	RETAINER	XPG/G, Heated carb	1
13	501 98 63-01	THERMOSTAT ASSY	XPG/G, Heated carb	1
14	504 04 32-01	HEATING PLATE	XPG/G, Heated carb	1
15	504 04 35-01	CABLE COVER	XPG/G, Heated carb	1

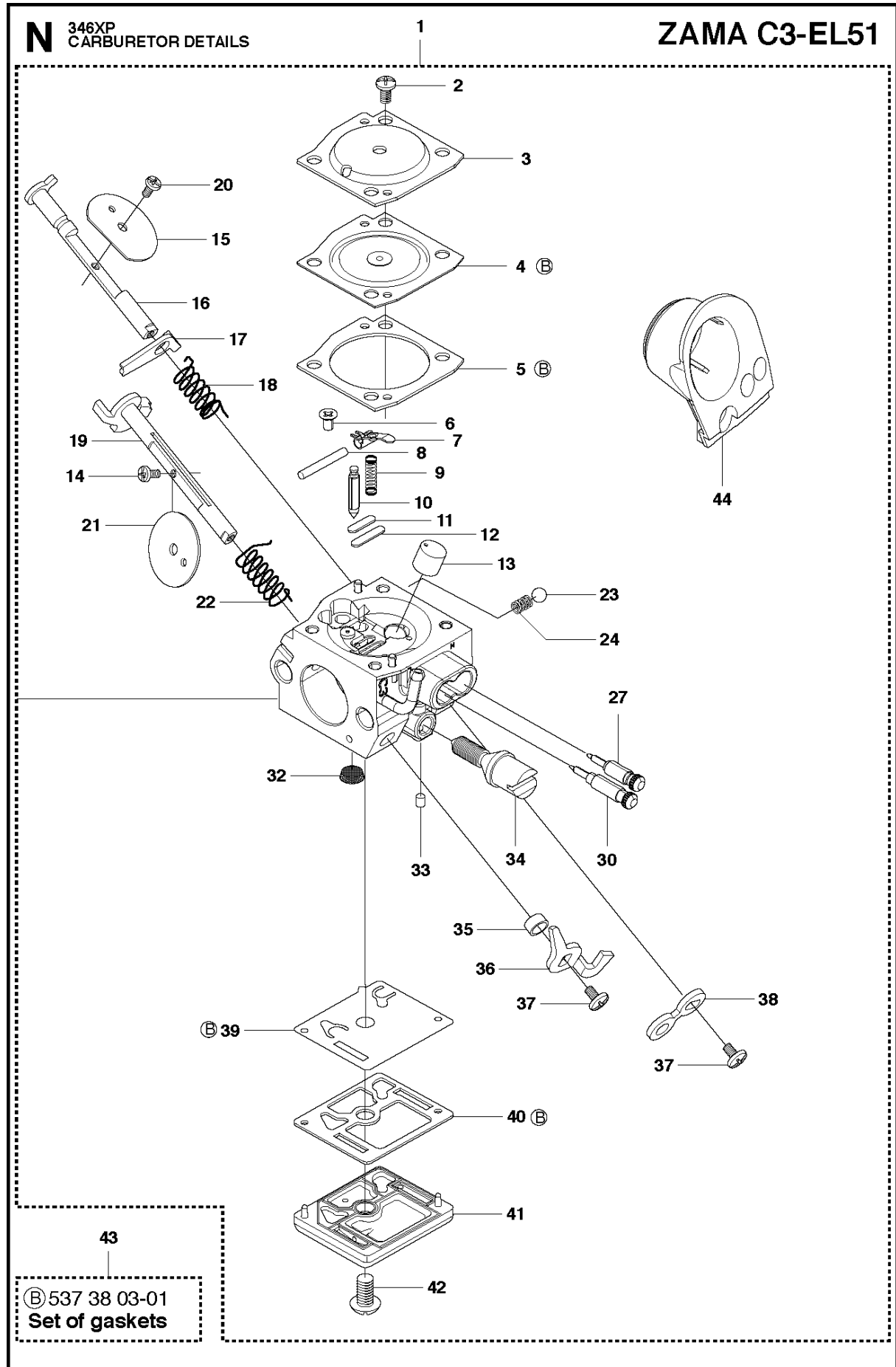
M2 346XP
STARTER



STARTER

346 XP, from 20152700001-current

Ref	Part No	Description	Remark	QTY	KIT
1	503 89 06-01	AIR CONDUCTOR		1	
2	544 97 34-01	STARTER		1	
3	505 30 51-25	STARTER CORD		1	2
4	503 21 77-16	SCREW IH SCT		1	2
5	503 21 28-10	SCREW CCRPANT		2	2
6	537 09 25-02	STARTER PULLEY		1	2
7	537 09 31-01	SPRING CASSETTE ASSY		1	2
8	537 23 25-01	STARTER HANDLE		1	2
9	544 97 35-01	STARTER HOUSING		1	2
10	544 08 03-01	SCREW		4	
11	544 97 36-01	LABEL	346XP	1	
11	544 97 36-03	LABEL	346XPG	1	
11	544 97 36-04	LABEL	346XPG Heated carb	1	
11	544 97 36-02	LABEL	346XP E-tech	1	
11	544 97 36-05	LABEL	346XPG E-tech	1	
11	544 97 36-06	LABEL	346XPG Heated carb E-tech	1	

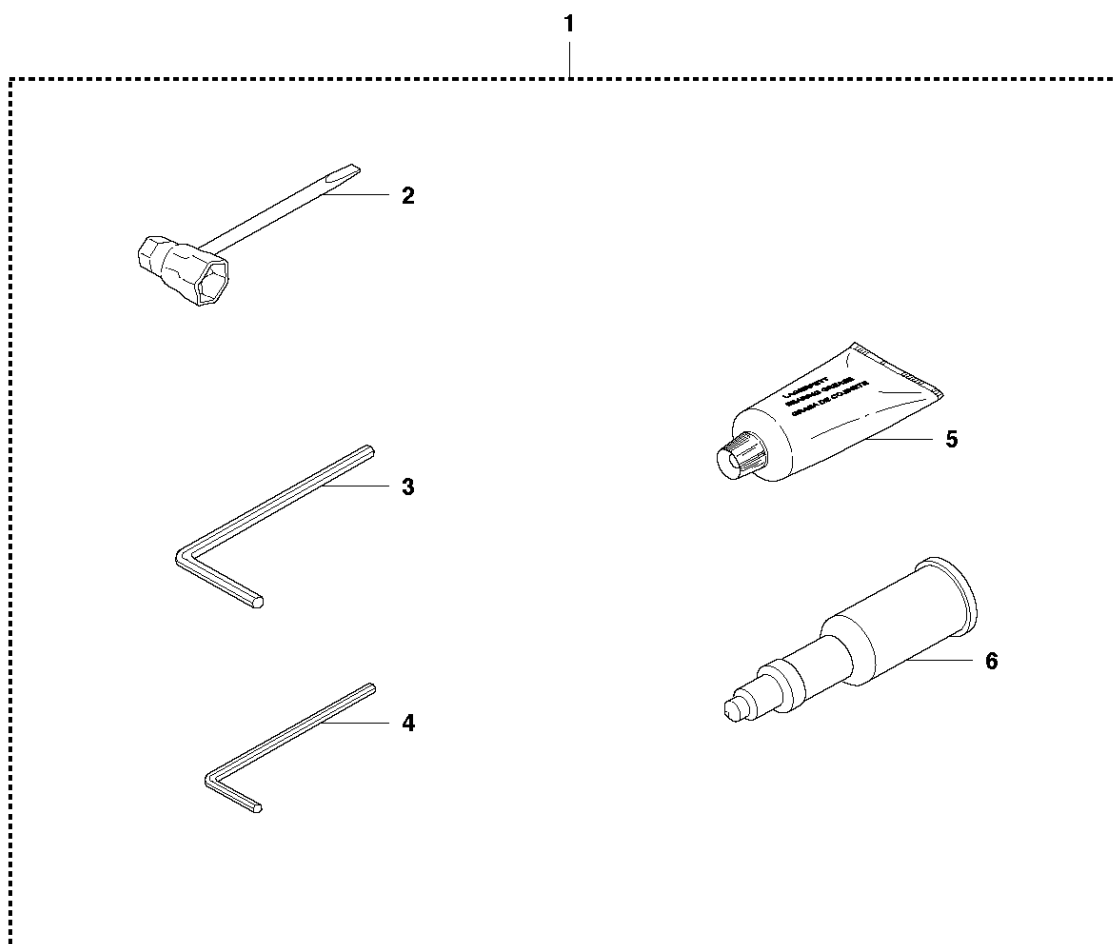


CARBURETOR DETAILS

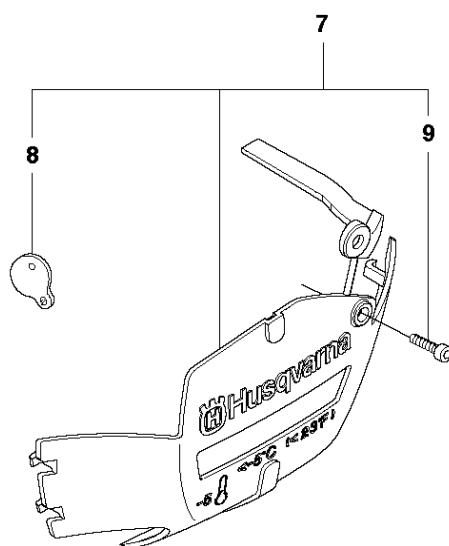
346 XP, from 20152700001-current

Ref	Part No	Description	Remark	QTY	KIT
1	580 74 02-01	CARBURETTOR		1	
2	503 48 05-01	SCREW		4	1
3	537 17 60-01	COVER		1	1
4	537 17 59-01	DIAPHRAGM		1	1, 43
5	503 88 44-01	GASKET		1	1, 43
6	544 08 21-01	SCREW		1	1
7	537 17 64-01	LEVER		1	1
8	503 48 00-01	PIN RETAINING SCREW		1	1
9	537 17 63-01	SPRING		1	1
10	537 17 62-01	VALVE		1	1
11	537 17 78-01	PLUG		1	1
12	503 53 56-01	PLUG WELCH		1	1
13	537 41 61-01	NOZZLE ASSY		1	1
14	503 52 36-01	SCREW		1	1
15	544 05 66-01	CHOKE VALVE		1	1
16	537 26 67-01	SHAFT ASSY		1	1
17	544 05 67-01	LEVER		1	1
18	537 17 66-01	SPRING		1	1
19	537 26 63-01	SHAFT ASSY		1	1
20	503 48 18-01	SCREW		1	1
21	537 26 66-01	VALVE		1	1
22	537 17 61-01	SPRING		1	1
23	537 01 25-01	BALL		1	1
24	537 01 26-01	SPRING		1	1
27	537 17 85-01	SCREW		1	1
30	537 26 70-01	SCREW		1	1
32	503 53 57-01	STRAINER		1	1
33	503 48 11-01	PIECE		1	1
34	537 17 76-01	SCREW		1	1
35	503 48 19-01	COLLAR		1	1
36	537 17 69-01	LEVER		1	1
37	503 47 90-01	SCREW		2	1
38	537 17 75-01	LEVER		1	1
39	537 38 02-01	DIAPHRAGM		1	1, 43
40	503 61 66-01	GASKET		1	1, 43
41	537 17 68-01	COVER		1	1
42	503 47 96-01	SCREW		1	1
43	537 38 03-01	GASKET KIT	B = Set of gaskets	1	
44	579 34 72-01	BRACKET		1	1

P 346XP
ACCESSORIES



WINTER KIT 346XP



ACCESSORIES

346 XP, from 20152700001-current

Ref	Part No	Description	Remark	QTY	KIT
1	503 55 85-01	TOOL		1	
2	501 69 17-01	COMBINATION WRENCH		1	1
3	503 55 86-02	SPANNER		1	1
4	503 55 86-01	SPANNER		1	1
5	503 62 12-01	GREASE		1	1
6	501 91 14-01	GREASE GUN		1	1
7	501 97 48-01	WINTER COVER	Winter kit 346XP	1	
8	501 63 97-01	COVER		1	7
9	503 21 70-16	SCREW CCRPANT		1	7