

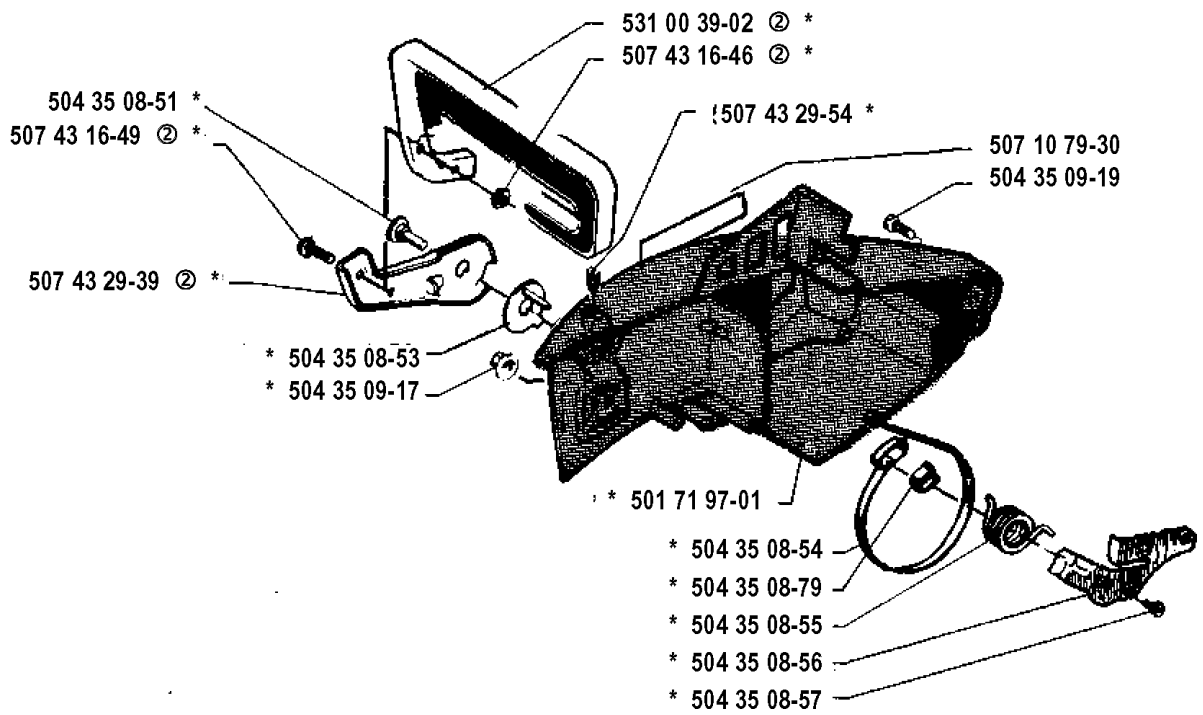


SPARE PARTS LIST

CHAIN SAWS

35, 19902200001-Current

A * compl 501 71 96-01
② compl 531 00 39-01

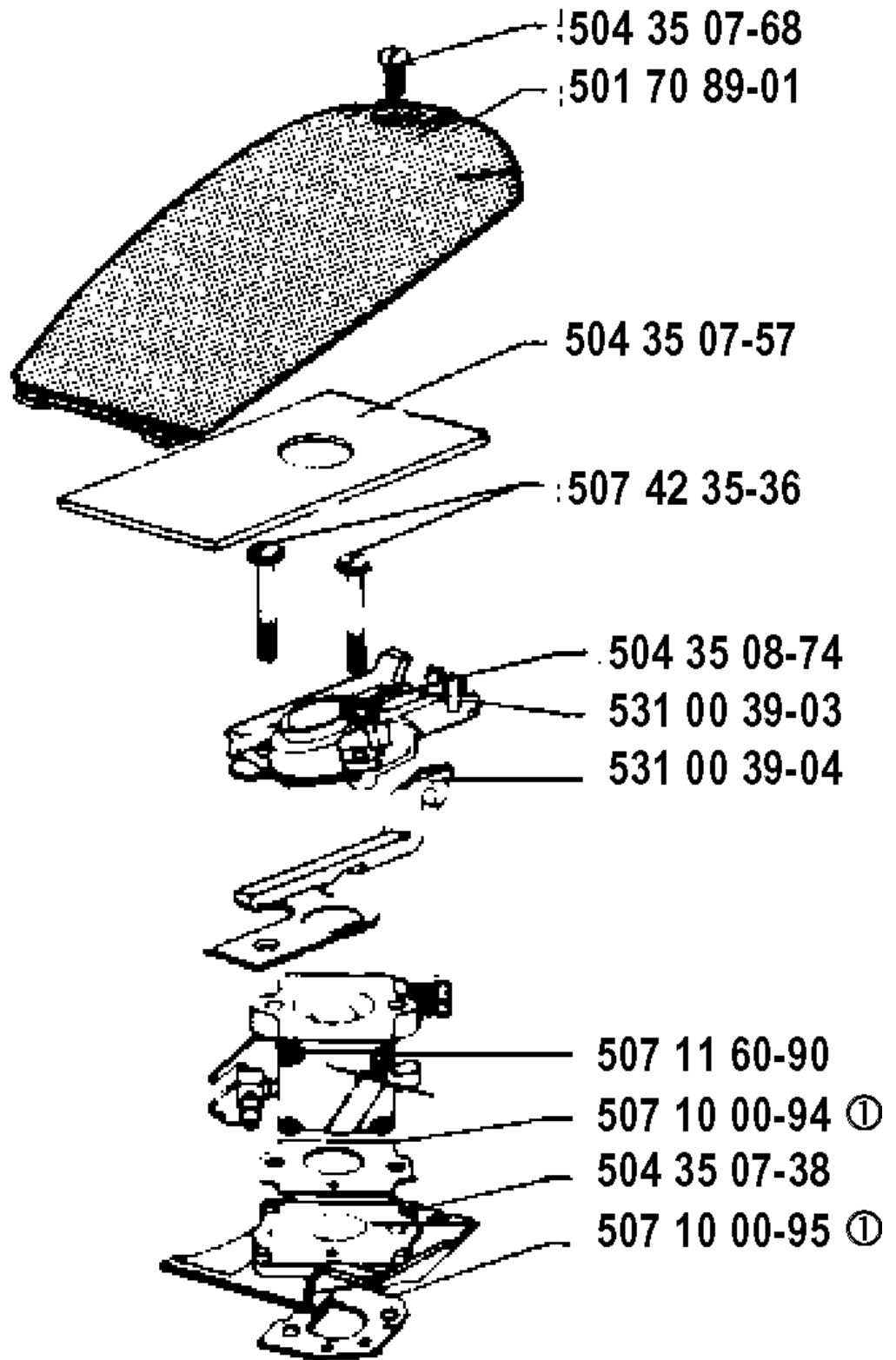


CHAIN BRAKE

35, 19902200001-Current

Part No	Description	Remark	QTY KIT
501 71 96-01	CHAIN BRAKE ASS'Y		1
501 71 97-01	CHAIN COVER		1
504 35 08-51	PIVOT PIN		1
504 35 08-53	ACTUATING PLATE		1
504 35 08-54	BRAKE BAND		1
504 35 08-55	SPRING		1
504 35 08-56	DETENT COVER		1
504 35 08-57	SCREW		1
504 35 08-79	CLIP		1
504 35 09-17	NUT		1
504 35 09-19	SCREW		1
507 10 79-30	DECAL		1
507 43 16-46	NUT		1
507 43 16-49	SCREW		1
507 43 29-39	ACTUATING LEVER		1
507 43 29-54	CHAINBRAKE ADJ SCREW		1
531 00 39-01	HAND GUARD		1
531 00 39-02	HANDGUARD		1

B

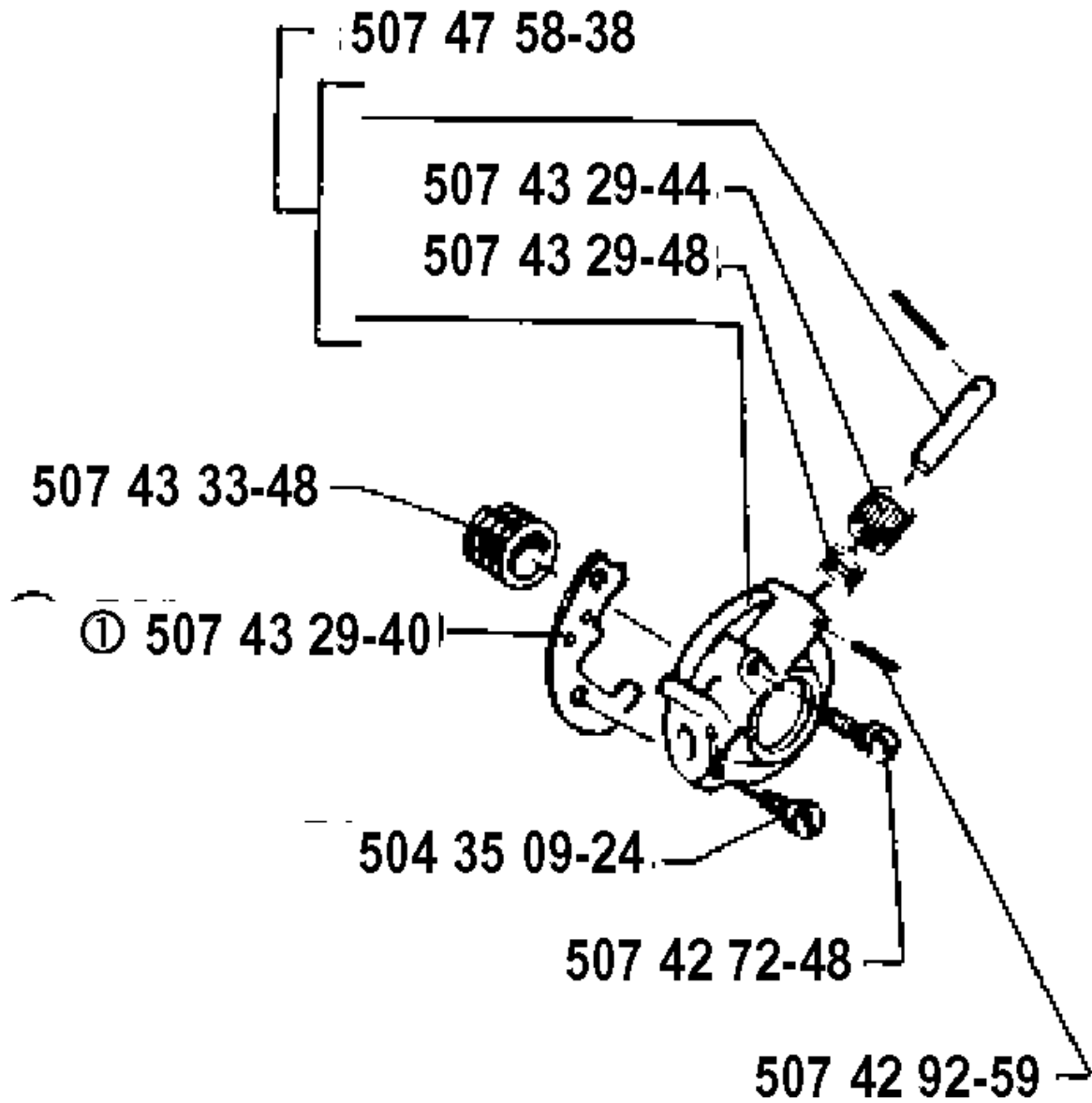


CARBURETOR & AIR FILTER

35, 19902200001-Current

Part No	Description	Remark	QTY KIT
501 70 89-01	AIR FILTER COVER		1
504 35 07-38	SPACER		1
504 35 07-57	AIR FILTER		1
504 35 07-68	SCREW		1
504 35 08-74	WASHER		1
507 10 00-94	GASKET		1
507 10 00-95	GASKET		1
507 11 60-90	CARBURETTOR		1
507 42 35-36	SCREW		1
531 00 39-03	HOLDER		1
531 00 39-04			1

F

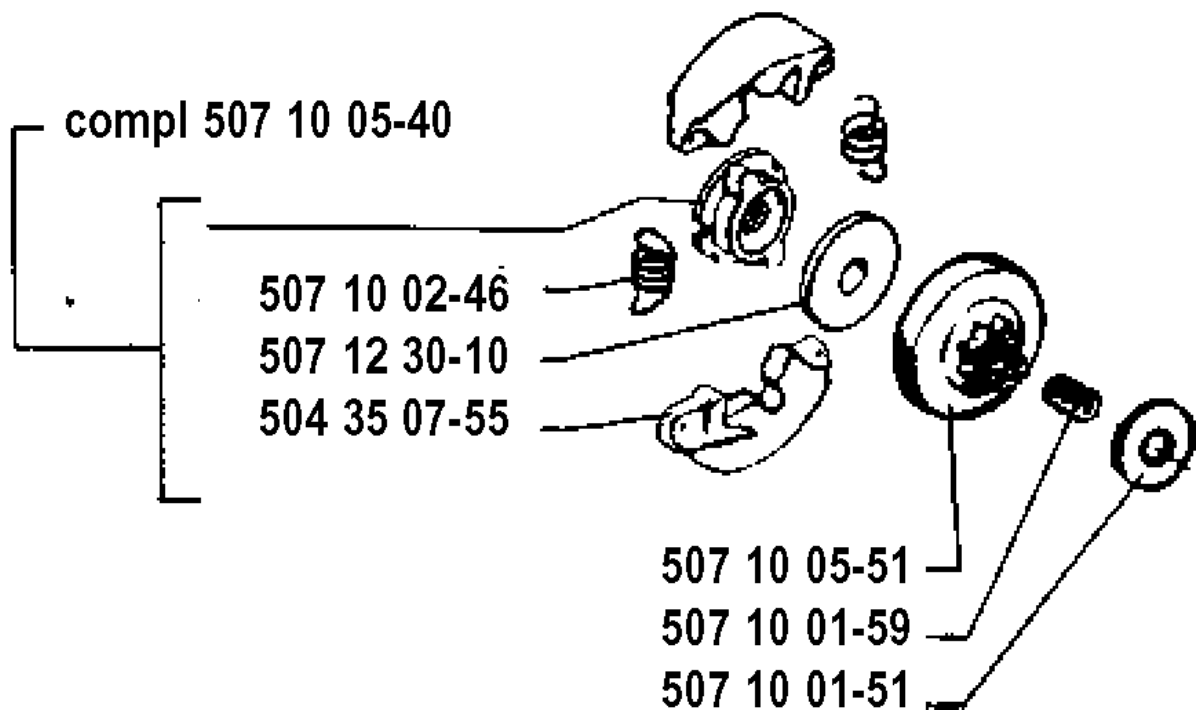


CLUTCH & OIL PUMP

35, 19902200001-Current

Part No	Description	Remark	QTY KIT
504 35 09-24	SCREW		1
507 42 72-48	SCREW		1
507 42 92-59	ROLL PIN		1
507 43 29-40	GASKET		1
507 43 29-44	GEAR WHEEL		1
507 43 29-48	SPRING		1
507 43 33-48	PUMP		1
507 47 58-38	OIL PUMP		1

D



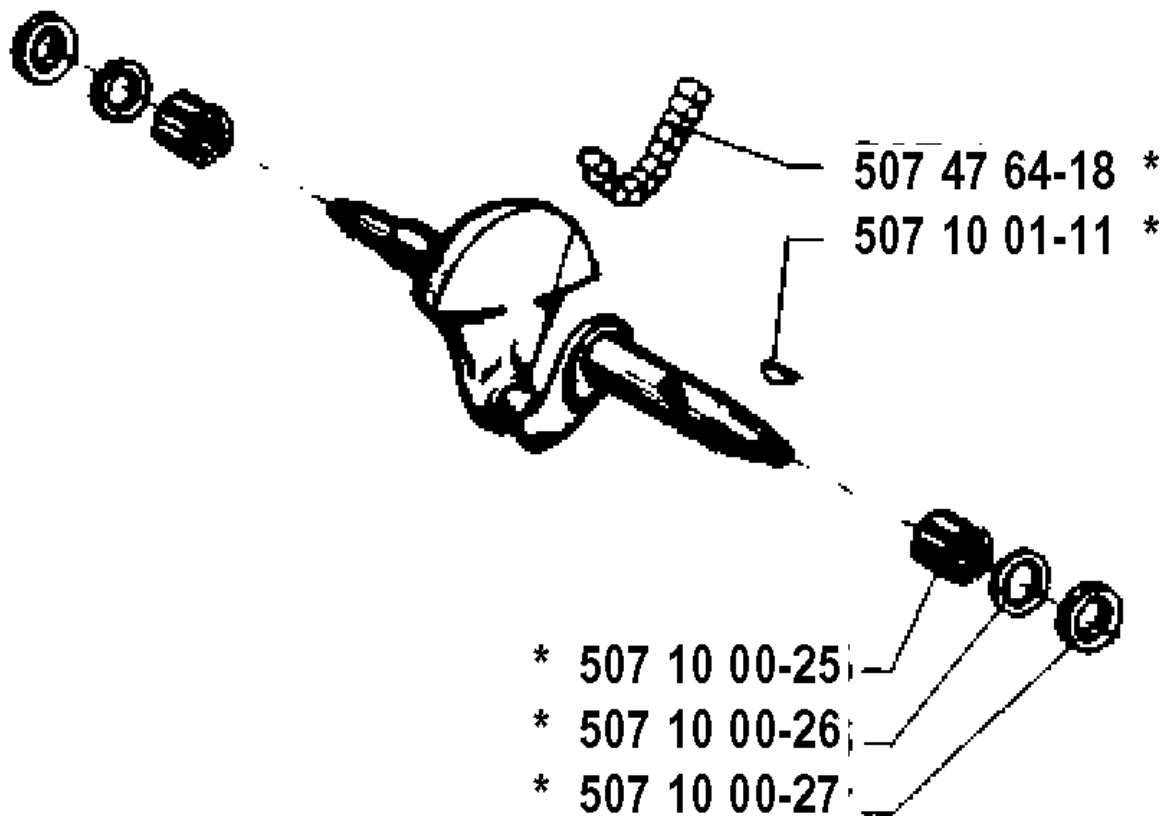
CLUTCH

35, 19902200001-Current

Part No	Description	Remark	QTY KIT
504 35 07-55	CLUTCH SHOE		1
507 10 01-51	WASHER		1
507 10 01-59	SUPPORT BUSHING		1
507 10 02-46	CLUTCH SPRING		1
507 10 05-40	CLUTCH ASSY		1
507 10 05-51	CLUTCH DRUM		1
507 12 30-10	HAT WASHER		1



* compl 507 47 34-36

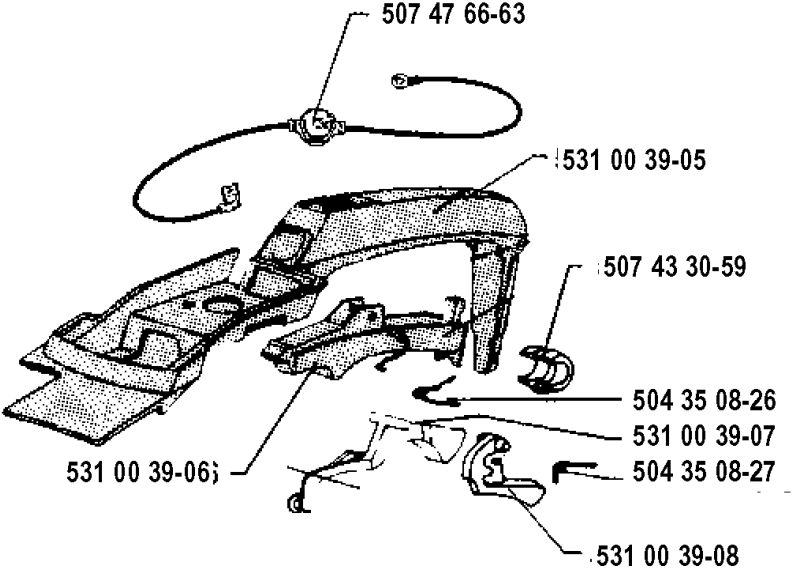


CRANKSHAFT

35, 19902200001-Current

Part No	Description	Remark	QTY KIT
507 10 00-25	BEARING		1
507 10 00-26	RETAINER RING		1
507 10 00-27	SEALING RING		1
507 10 01-11	KEY,FLYWHEEL		1
507 47 34-36			1
507 47 64-18	BIG END ROLLER SET		1

C

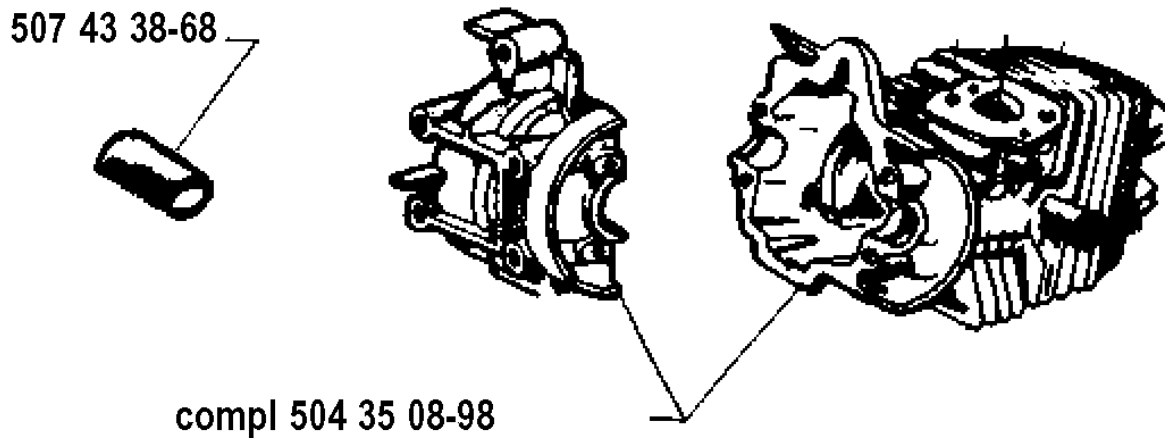
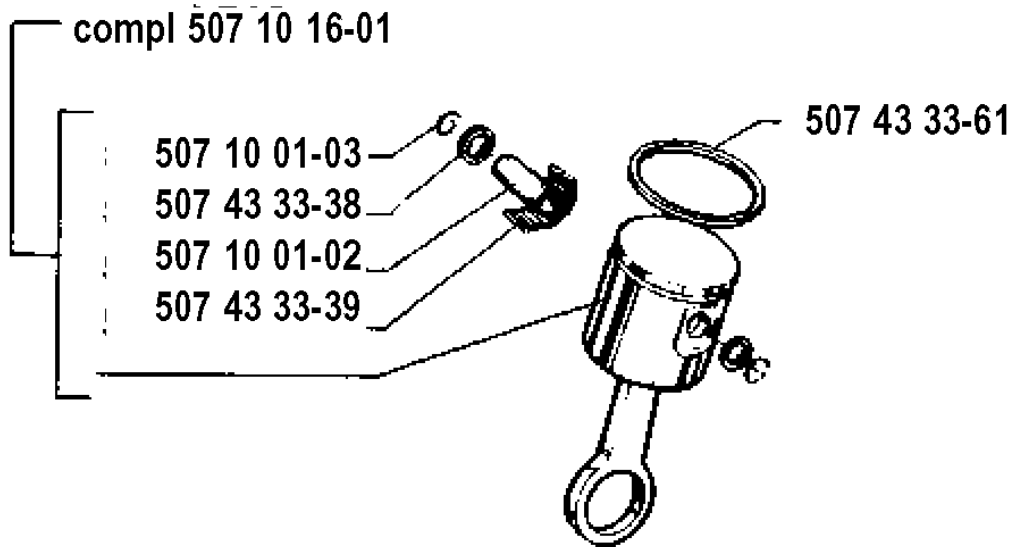


HANDLE

35, 19902200001-Current

Part No	Description	Remark	QTY KIT
504 35 08-26	SPRING		1
504 35 08-27	SPRING		1
507 43 30-59	ANTIVIBRATION ELEMENT		1
507 47 66-63	STOP SWITCH ASSY		1
531 00 39-05	HANDLE		1
531 00 39-06			1
531 00 39-07	THROTTLE TRIGGER		1
531 00 39-08	THROTTLE LOCK		1

G



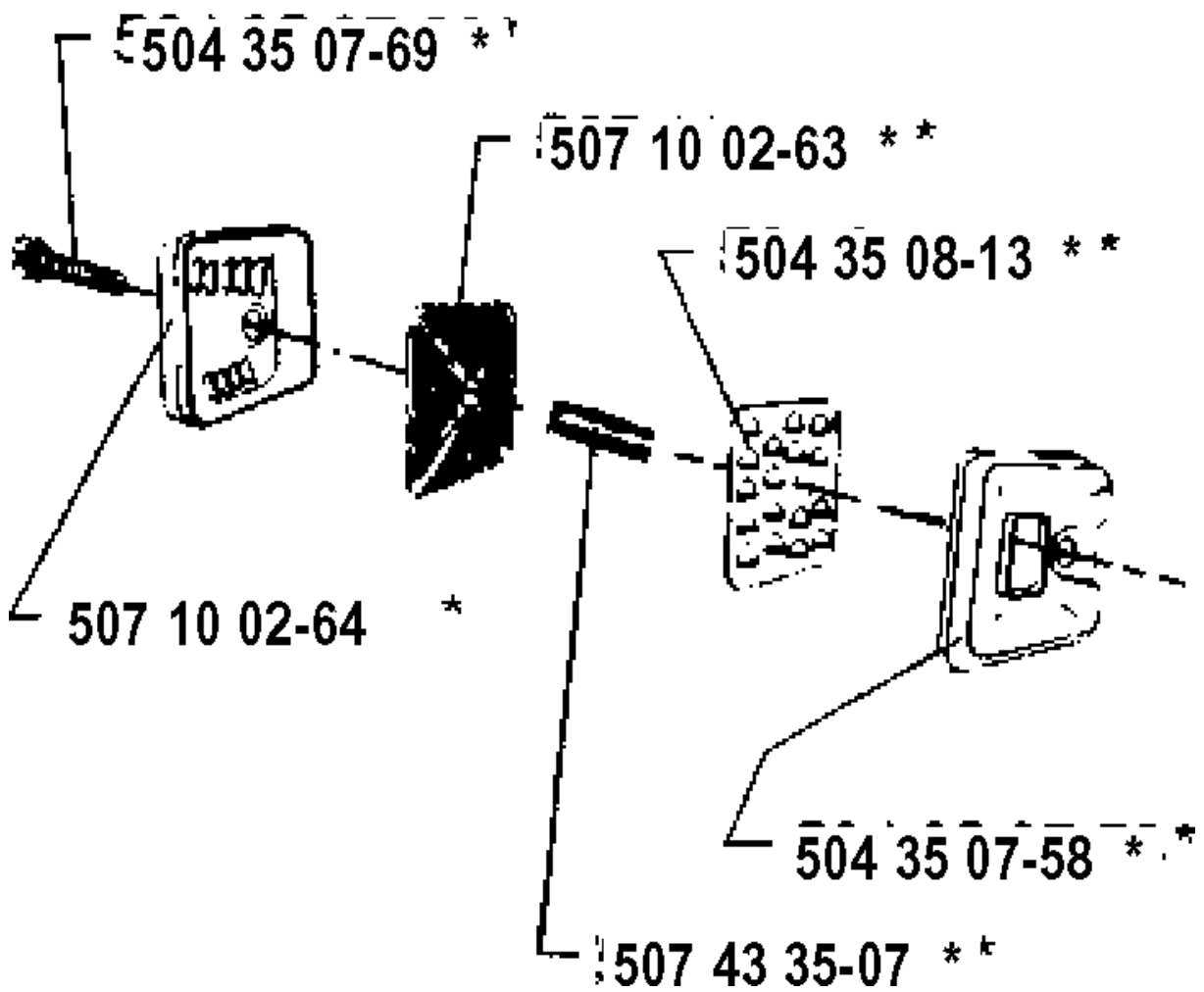
CYLINDER PISTON

35, 19902200001-Current

Part No	Description	Remark	QTY KIT
504 35 08-98	CYLINDER		1
507 10 01-02	GUDGEON PIN		1
507 10 01-03	GUDGEON CLIP		1
507 10 16-01	PISTON ASSY		1
507 43 33-38	WASHER		1
507 43 33-39	BEARING		1
507 43 33-61	PISTON RING		1
507 43 38-68	STOP		1

H

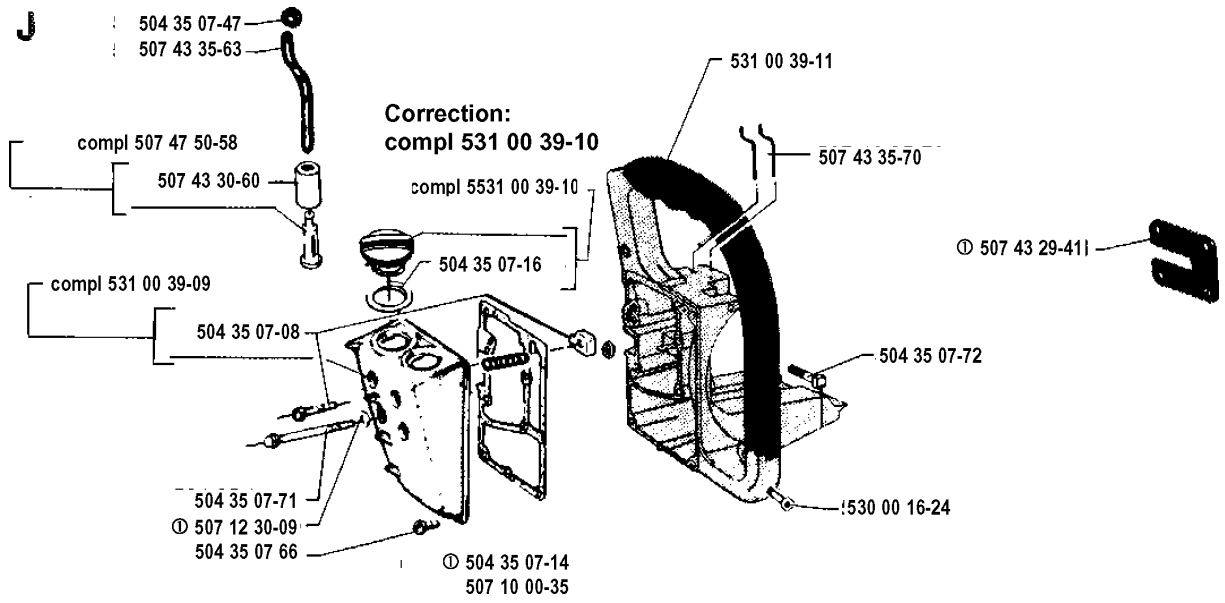
*** compl 504 35 07-69 ***



MUFFLER

35, 19902200001-Current

Part No	Description	Remark	QTY KIT
504 35 07-58	SILENCER		1
504 35 07-69	SCREW		1
504 35 07-69	SCREW		1
504 35 08-13	GRATE		1
507 10 02-63	SPARK CATCHER NET		1
507 10 02-64	SILENCER		1
507 43 35-07	SPACER		1

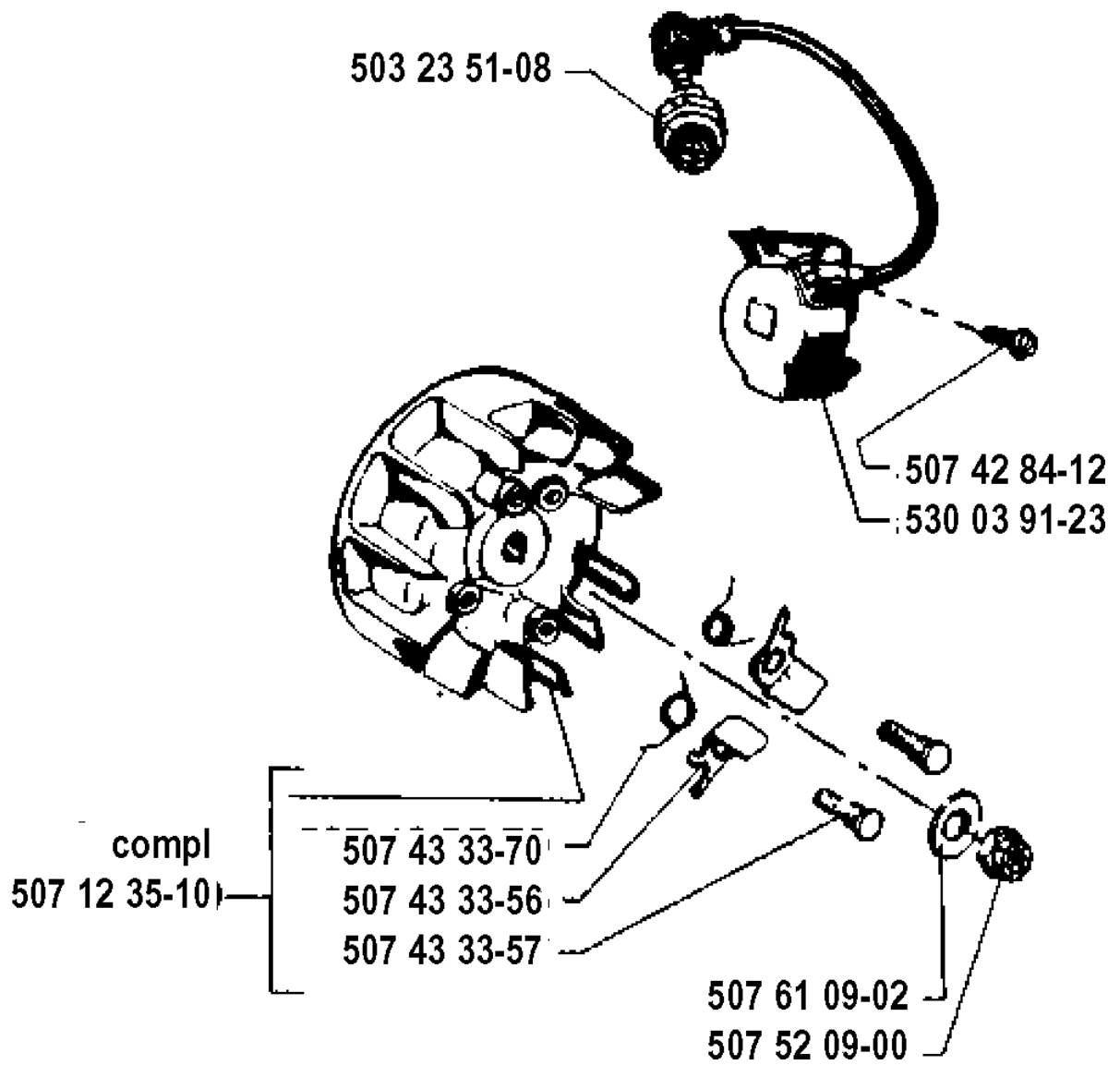


FUEL TANK & HANDLE

35, 19902200001-Current

Part No	Description	Remark	QTY KIT
504 35 07-08			1
504 35 07-14	TANK GASKET		1
504 35 07-16	GASKET		1
504 35 07-47	GROMMET		1
504 35 07-66	SCREW		1
504 35 07-71	SCREW		1
504 35 07-72	BAR BOLT		1
507 10 00-35	OIL SCREEN		1
507 12 30-09	WASHER		1
507 43 29-41	GASKET		1
507 43 30-60	FILTER		1
507 43 35-63	HOSE		1
507 43 35-70	VENT WIRE		1
507 47 50-58	FILTER ASSY		1
530 00 16-24	SCREW		1
531 00 39-09	TANK		1
531 00 39-10	TANK CAP CPL	CORRECTION:	1
531 00 39-11	TANK WITH HANDLE		1

K



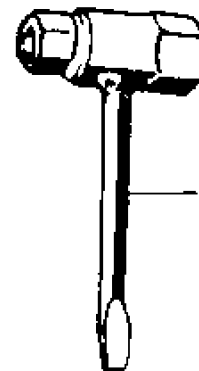
IGNITION SYSTEM

35, 19902200001-Current

Part No	Description	Remark	QTY KIT
503 23 51-08	SPARK PLUG		1
507 12 35-10	FLYWHEEL ASSY		1
507 42 84-12	SCREW		1
507 43 33-56	PAWL		1
507 43 33-57	SCREW		1
507 43 33-70	SPRING		1
507 52 09-00	NUT		1
507 61 09-02	WASHER		1
530 03 91-23	IGNITION MODULE		1

N

Accessories
Zubehöre
Accessoires
Acessorios
Tillbehör

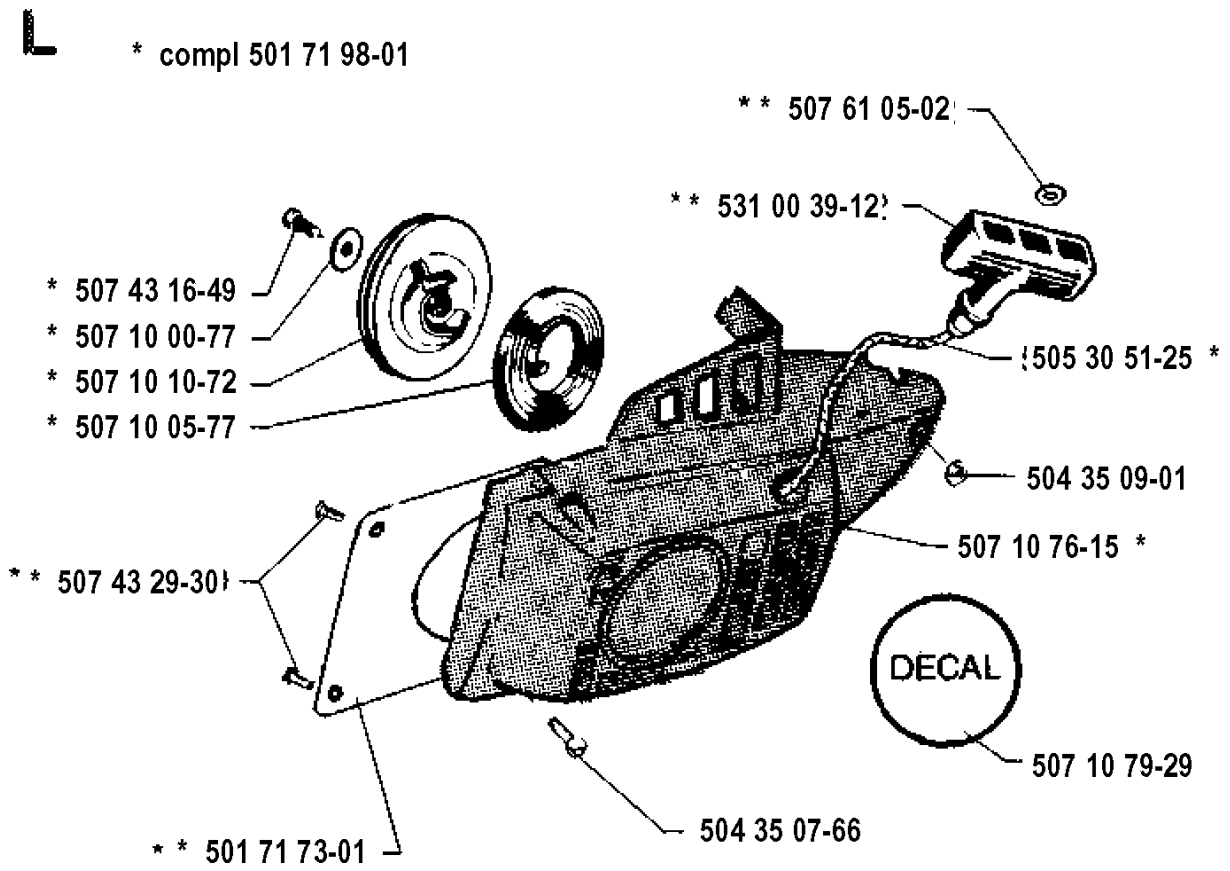


507 10 17-62

ACCESSORIES

35, 19902200001-Current

Part No	Description	Remark	QTY KIT
507 10 17-62	COMB. WRENCH		1



STARTER

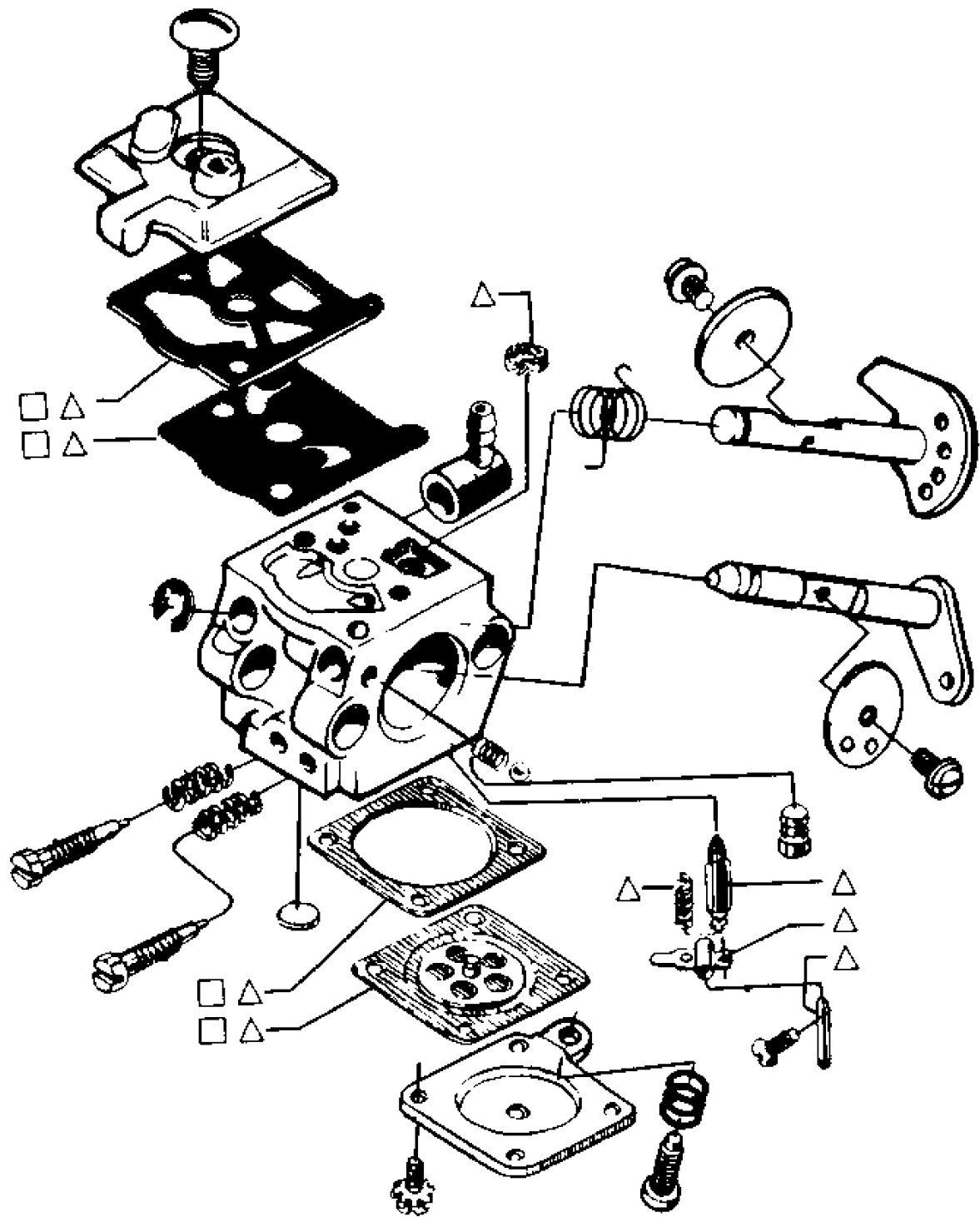
35, 19902200001-Current

Part No	Description	Remark	QTY KIT
501 71 73-01	LEDSKENA		1
501 71 98-01	STARTER ASS'Y		1
504 35 07-66	SCREW		1
504 35 09-01	NUT		1
505 30 51-25	STARTER CORD		1
507 10 00-77	WASHER		1
507 10 05-77			1
507 10 10-72	STARTER PULLEY		1
507 10 76-15	STARTER HOUSING		1
507 10 79-29	DECAL		1
507 43 16-49	SCREW		1
507 43 29-30	SCREW		1
507 61 05-02	WASHER		1
531 00 39-12	HANDLE		1

M

compl 507 11 60-90

Walbro WA58 A



CARBURETOR DETAILS

35, 19902200001-Current

Part No	Description	Remark	QTY KIT
507 11 60-90	CARBURETTOR		1