

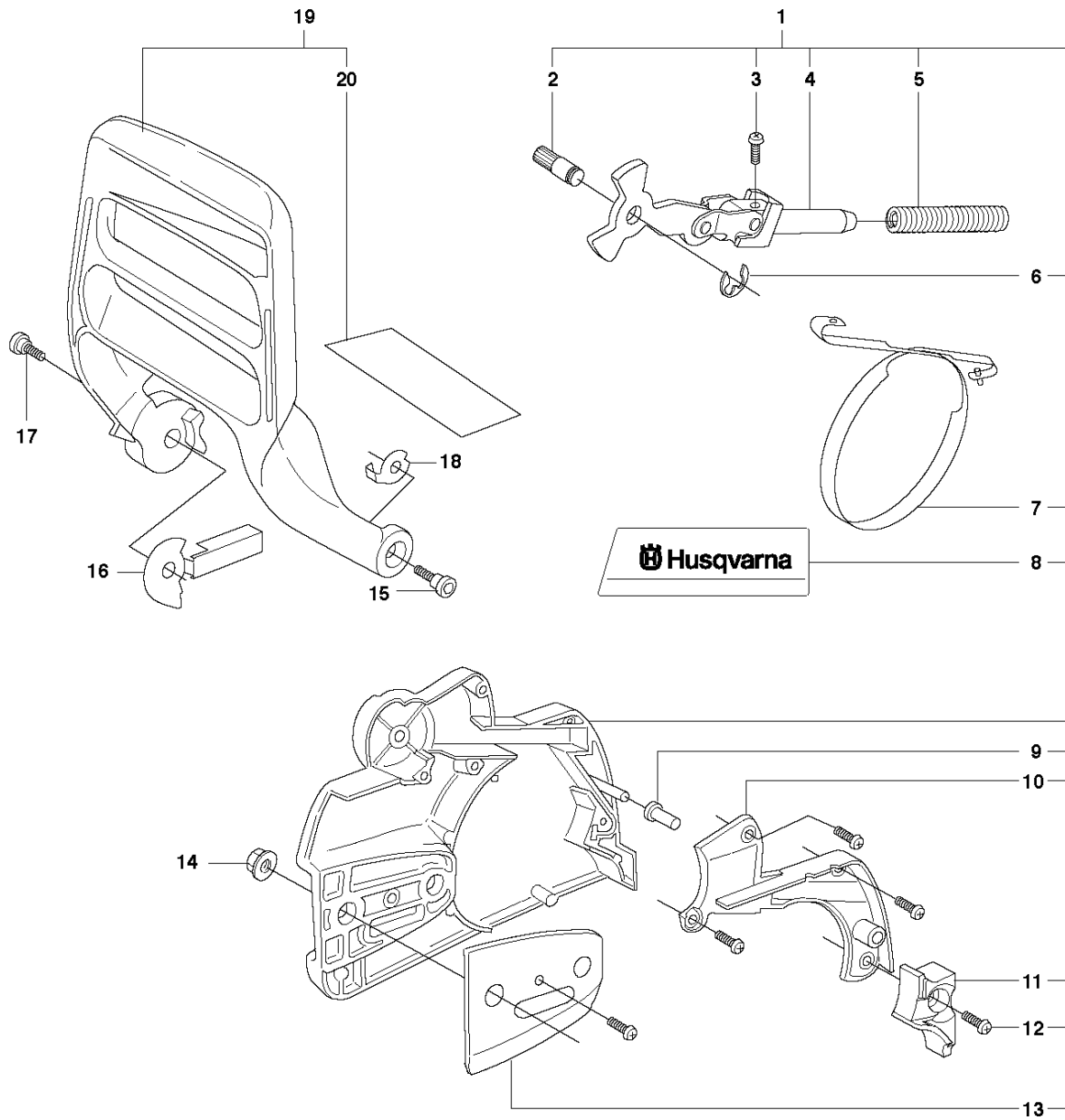


# SPARE PARTS LIST

## CHAIN SAWS

357 XP, 20111800001-Current

**A** 357  
CHAIN BRAKE

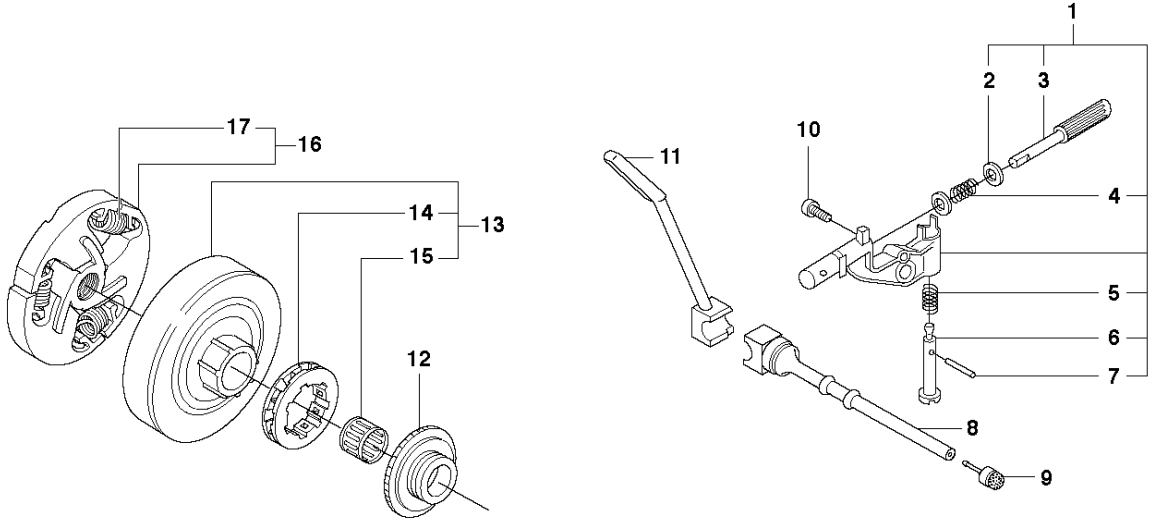


## CHAIN BRAKE

357 XP, 2011180001-Current

Ref	Part No	Description	Remark	QTY	KIT
1	537 10 78-03	CHAIN BRAKE		1	
2	503 89 29-01	PIN		1	1
3	503 21 70-10	SCREW CCRPANT		1	1
4	503 89 08-02	KNEE JOINT ASSY		1	1
5	503 46 59-01	BRAKE SPRING		1	1
6	735 31 08-20	E-CLIP		1	1
7	537 04 30-01	BRAKE BAND ASSY		1	1
8	537 37 04-01	LABEL		1	1
9	503 85 52-01	GUIDE BUSHING		1	1
10	537 10 80-02	HUB CAP		1	1
11	537 08 90-01	WEAR PROTECTION		1	1
12	503 21 70-10	SCREW CCRPANT		5	1
13	503 85 66-01	COVER PLATE		1	1
14	503 22 00-01	HEXAGON NUT		2	
15	503 89 30-03	SCREW		1	
16	537 02 99-01	WEAR PROTECTION		1	
17	503 89 30-03	SCREW		1	
18	503 23 00-71	WASHER		1	
19	537 15 93-02	HAND GUARD		1	
20	537 15 27-01	HEAT PROTECTOR		1	19

**B** 357  
CLUTCH & OIL PUMP

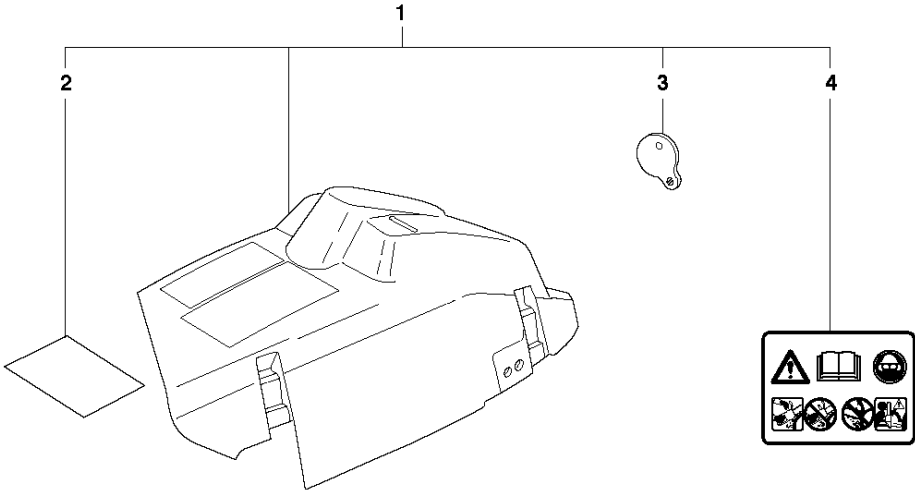


## CLUTCH &amp; OIL PUMP

357 XP, 20111800001-Current

Ref	Part No	Description	Remark	QTY	KIT
1	544 18 01-04	OIL PUMP ASSY		1	
2	503 23 00-60	WASHER		2	1
3	537 06 93-02	PUMP PISTON		1	1
4	503 89 16-01	SPRING		1	1
5	503 89 15-01	SPRING		1	1
6	537 02 71-01	ADJUSTER		1	1
7	721 11 64-30	GROOVED PIN		1	1
8	537 10 11-02	OIL HOSE		1	
9	503 96 75-01	OIL PLUMMET		1	
10	503 21 74-12	SCREW IH SCT		1	
11	537 09 18-01	OIL PRESSURE HOSE		1	
12	503 91 27-03	PUMP PINION	.325x7T	1	
12	503 91 29-03	PUMP PINION	"3/8"x7T"	1	
13	503 98 00-02	CLUTCH DRUM	.325x7T	1	
13	503 93 48-71	CLUTCH DRUM ASSY	"3/8"x7T"	1	
14	501 45 74-02	RIM	.325x7T	1	13
14	501 59 80-02	RIM	"3/8"x7T"	1	13
15	503 25 52-01	NEEDLE BEARING		1	13
16	537 10 34-03	CLUTCH ASSY		1	
17	537 16 69-01	CLUTCH SPRING		1	16

**C** 357  
CYLINDER COVER

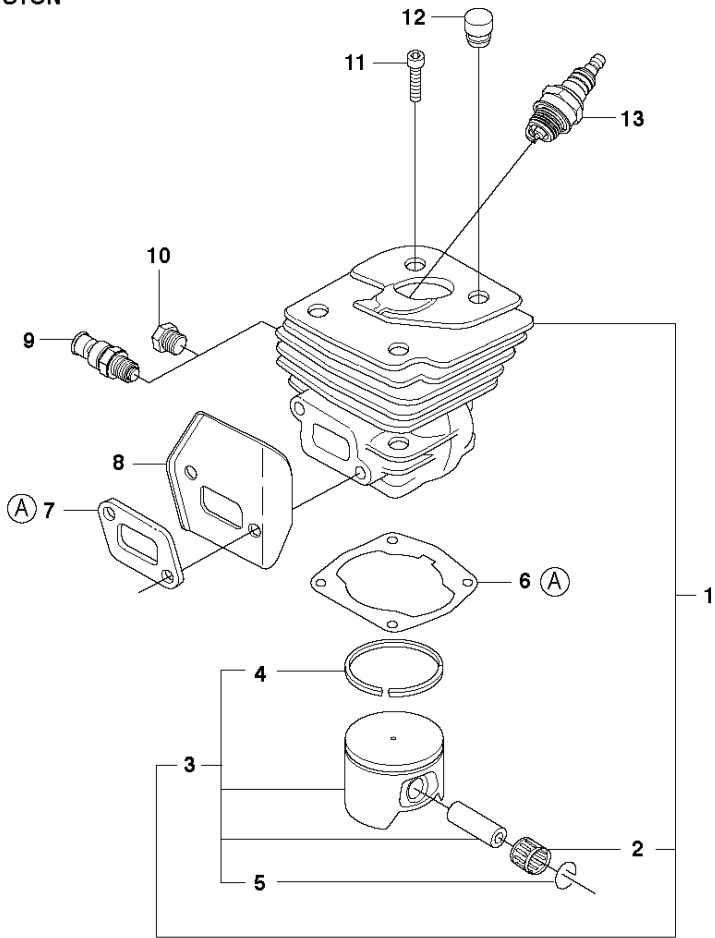


CYLINDER COVER

357 XP, 20111800001-Current

Ref	Part No	Description	Remark	QTY KIT
1	503 92 80-02	CYLINDER COVER		1
2	503 84 59-01	HEAT PROTECTOR		1
3	501 63 97-01	COVER		1
4	503 98 74-01	LABEL		1

**D** 357  
CYLINDER PISTON



14

Ⓐ 503 97 85-01  
Set of gaskets

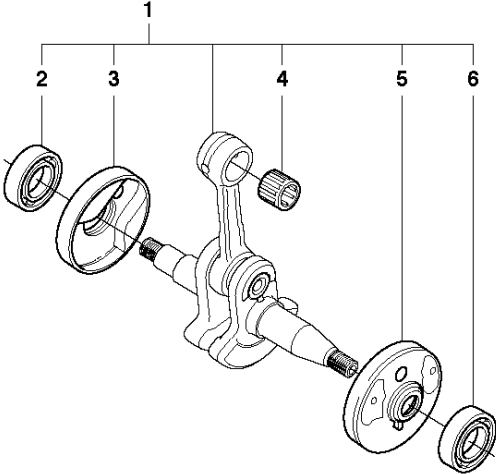


## CYLINDER PISTON

357 XP, 2011180001-Current

Ref	Part No	Description	Remark	QTY	KIT
1	537 24 85-04	CYLINDER ASSY		1	
2	503 25 56-01	NEEDLE BEARING		1	1
3	537 21 96-02	PISTON ASSY		1	1
4	503 28 90-14	PISTON RING		1	3
5	737 43 12-00	SNAP RING		2	3
6	503 96 66-01	GASKET		1	14
7	503 91 66-01	GASKET		1	14
8	503 91 65-02	HEAT DEFLECTOR		1	
9	503 71 53-01	DECOMPRESSION VALVE		1	
10	503 55 22-01	PLUG		1	
11	725 53 33-55	SCREW IHSCM		4	
12	537 02 26-01	SUPPORT		1	
13	503 23 51-08	SPARK PLUG	RCJ 7Y	1	
14	503 97 85-01	GASKET KIT	A = Set of gaskets	1	

**E** 357  
CRANK SHAFT

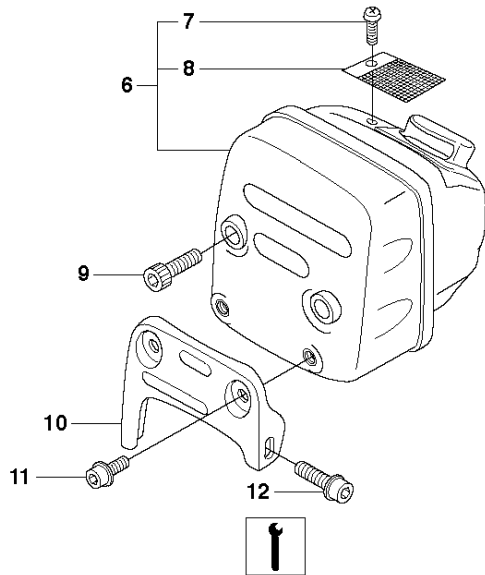
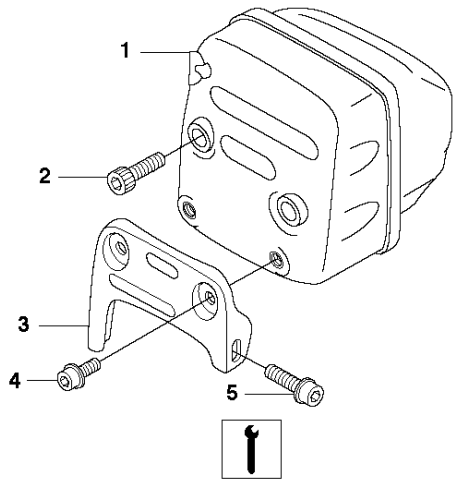


CRANKSHAFT

357 XP, 2011180001-Current

Ref	Part No	Description	Remark	QTY	KIT
1	537 21 92-02	CRANKSHAFT ASSY		1	
2	738 22 02-25	BALL BEARING		1	1
3	503 97 00-02	CUP		1	1
4	503 25 56-01	NEEDLE BEARING		1	1
5	503 97 00-01	CUP		1	1
6	738 22 02-25	BALL BEARING		1	1

**F** 357  
MUFFLER

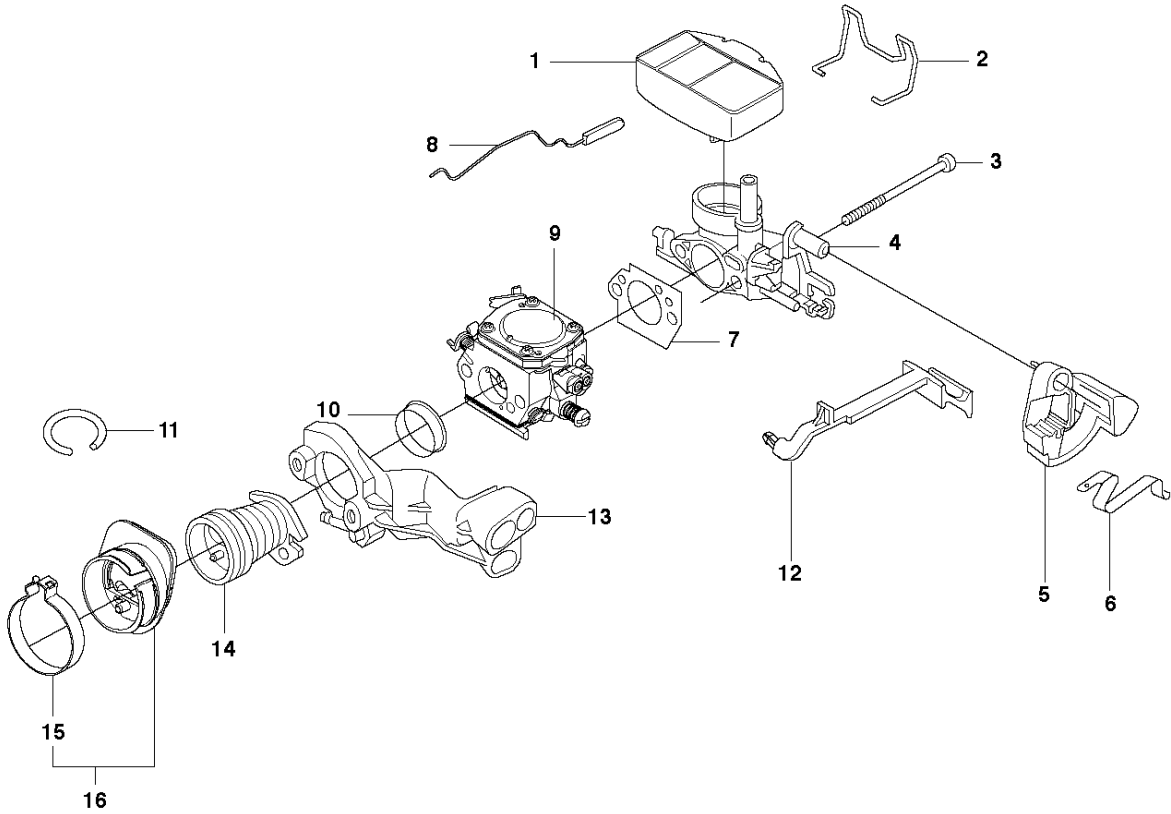


## MUFFLER

357 XP, 2011180001-Current

Ref	Part No	Description	Remark	QTY	KIT
1	504 70 69-01	MUFFLER ASSY	EU	1	
2	725 53 68-55	SCREW IHSCM		2	
3	503 91 74-02	SUPPORT LEG		1	
4	503 20 07-10	SCREW IHSCFM		2	
5	503 20 07-76	SCREW IHSCFM		1	
6	504 70 64-01	MUFFLER ASSY	FF	1	
6	504 70 68-01	MUFFLER CAT	E-tech	1	
7	724 12 87-59	SCREW CRPANM		1	6
8	504 78 58-01	SPARK ARRESTER SCREEN		1	6
9	725 53 68-55	SCREW IHSCM		2	
10	503 91 74-02	SUPPORT LEG		1	
11	503 20 07-10	SCREW IHSCFM		2	
12	503 20 07-76	SCREW IHSCFM		1	

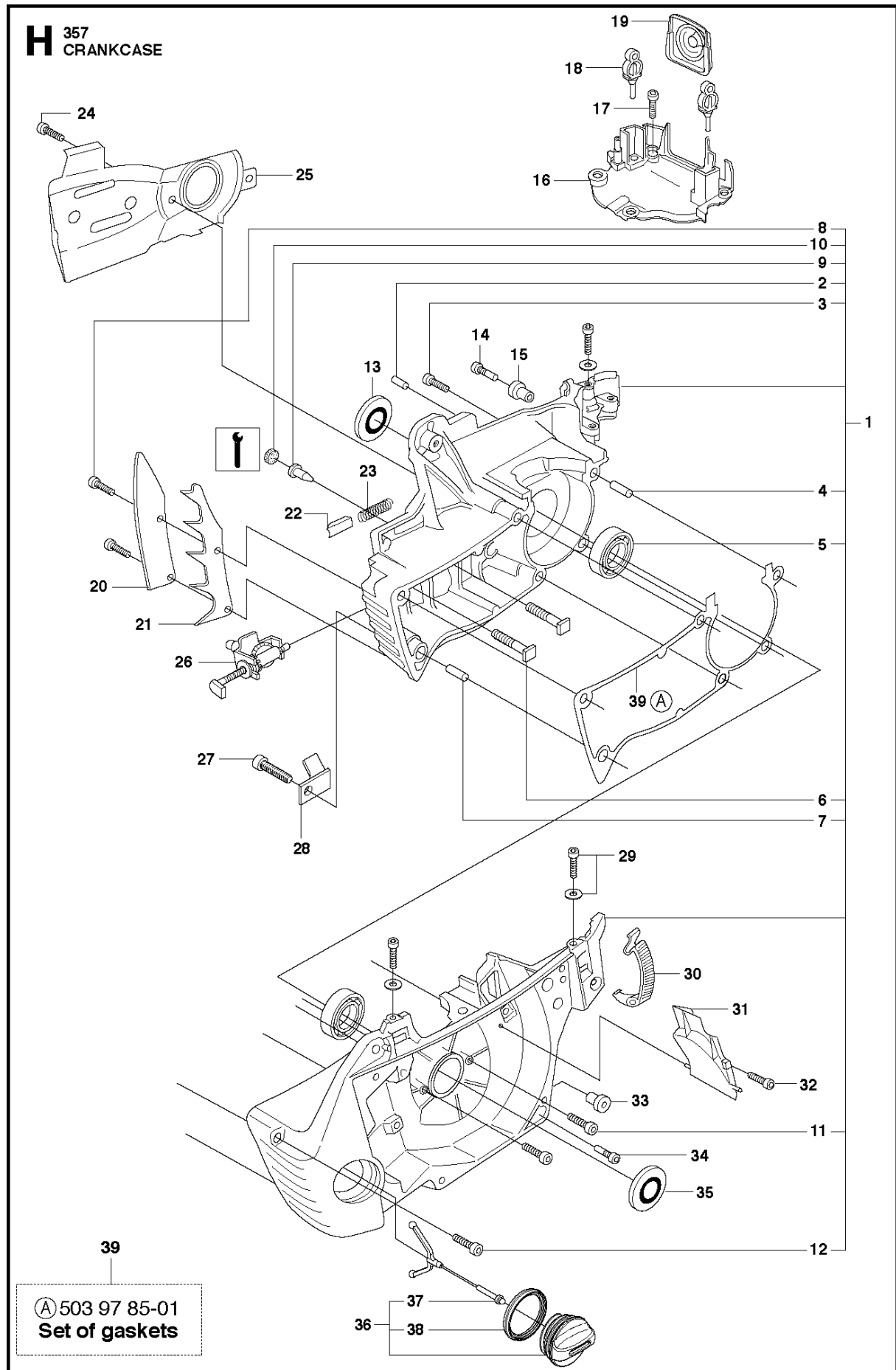
**G** 357  
CARBURETTOR & AIR FILTER



## CARBURETOR &amp; AIR FILTER

357 XP, 20111800001-Current

Ref	Part No	Description	Remark	QTY	KIT
1	537 01 09-01	AIR FILTER	80μ	1	
1	537 01 09-02	AIR FILTER	44μ	1	
1	537 01 09-03	AIR FILTER	FELT	1	
2	503 96 27-01	CLAMP		1	
3	725 53 41-55	SCREW IHSCM		2	
4	544 01 10-02	FILTER HOLDER		1	
5	503 86 95-02	STOP SWITCH		1	
6	503 86 97-02	SPRING		1	
7	503 96 76-01	GASKET		1	
8	503 93 87-02	WIRE		1	
9	505 20 30-01	CARBURETTOR		1	
10	504 06 44-01	SUPPORT RING		1	
11	544 32 51-01	HOSE		1	
12	503 92 25-01	CHOKE CONTROL		1	
13	503 92 85-02	FLANGE		1	
14	503 92 87-02	BELLOWS		1	
15	537 43 88-01	CLIP		1	16
16	537 25 13-02	INSULATION WALL		1	

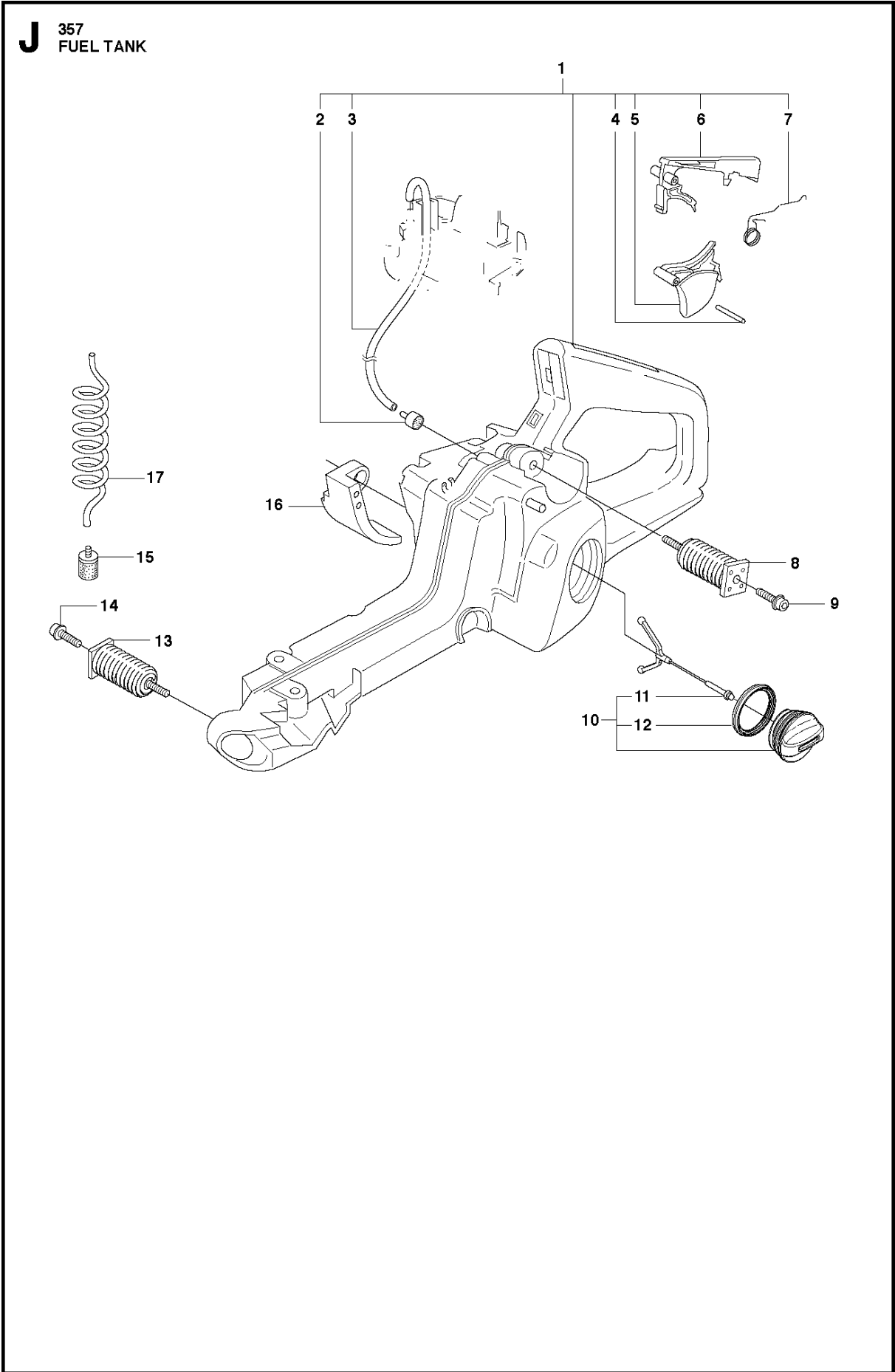




## CRANKCASE

357 XP, 2011180001-Current

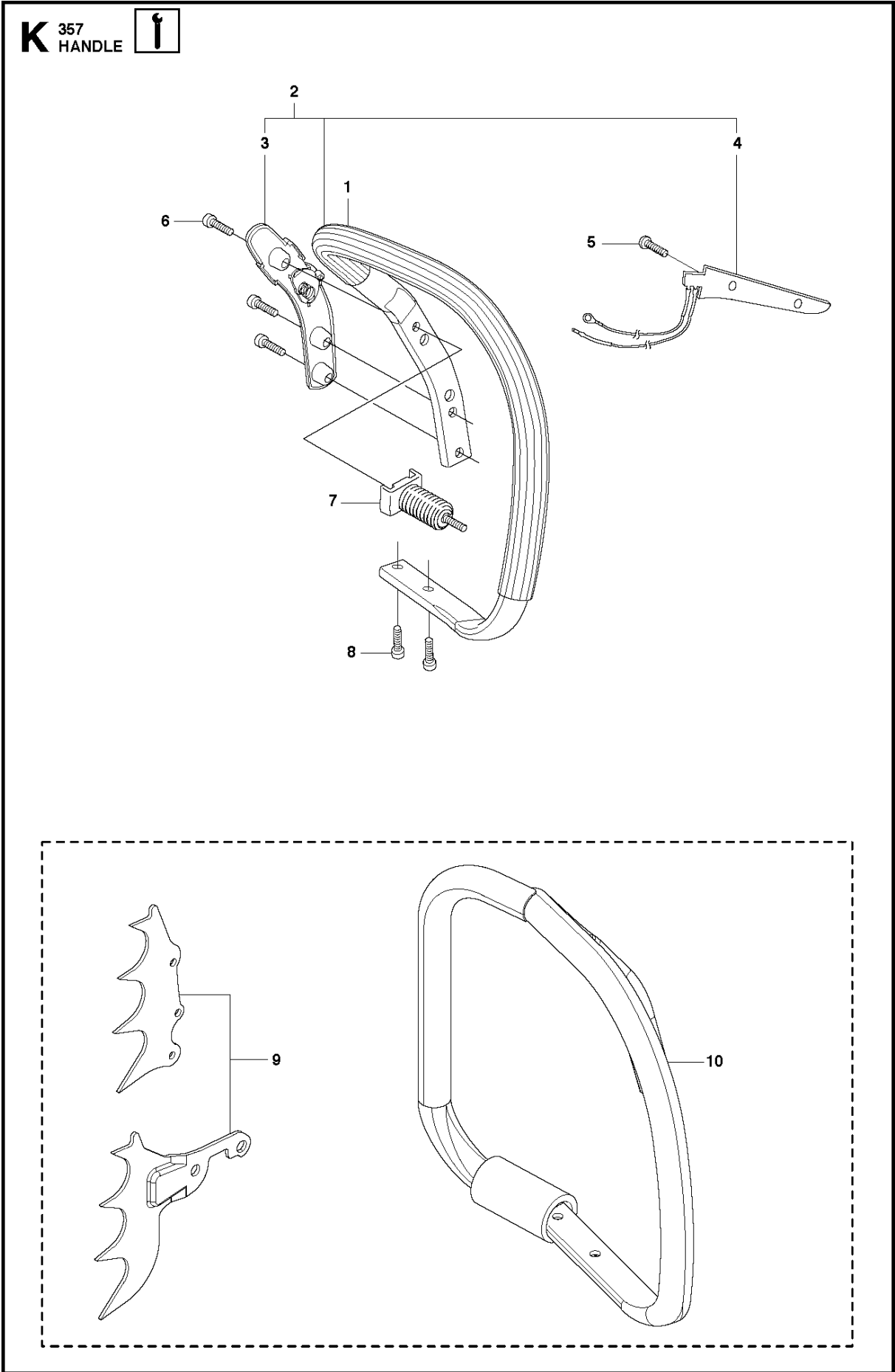
Ref	Part No	Description	Remark	QTY	KIT
1	503 92 53-05	CRANKCASE ASSY		1	
2	721 12 07-30	GROOVED PIN		1	1
3	503 20 08-32	SCREW IHSCM		6	1
4	503 90 56-01	GUIDE BUSHING		1	1
5	738 22 02-25	BALL BEARING		2	1
6	503 87 54-01	BAR BOLT		2	1
7	503 90 56-01	GUIDE BUSHING		1	1
8	503 20 07-76	SCREW IHSCFM		2	1
9	530 02 61-19	CHECK VALVE		1	1
10	537 40 35-01	FILTER		1	1
11	503 20 25-16	SCREW IHSCM		2	1
12	503 20 02-20	SCREW IHSCFM		1	1
13	505 27 57-19	SEALING RING		1	
14	503 21 51-01	SCREW IHST		1	
15	503 86 92-01	BUSHING		1	
16	503 92 79-03	CARBURETTOR		1	
17	503 21 75-12	SCREW IHSCFT		4	
18	503 86 93-01	SUPPORT		2	
19	537 14 65-01	BELLOWS		1	
20	537 02 18-01	BUMPER		1	
21	503 97 38-01	SPIKE		1	
22	503 89 24-01	LOCK		1	
23	503 43 65-01	POSITION SPRING		1	
24	503 21 74-12	SCREW IHST		2	
25	503 93 54-01	CHAIN GUIDE PLATE		1	
26	537 07 12-01	CHAIN TENSIONER		1	
27	503 21 88-76	SCREW IHST		1	
28	537 37 79-01	CHAIN CATCHER		1	
29	503 21 39-01	SCREW IHST		3	
30	503 89 47-01	SNAP LOCKING		3	
31	503 92 90-01	JET		1	
32	503 21 74-12	SCREW IHST		1	
33	503 86 92-01	BUSHING		1	
34	503 21 51-01	SCREW IHST		1	
35	505 27 57-19	SEALING RING		1	
36	537 21 52-02	TANK CAP ASSY		1	
37	503 57 89-01	HOLDER		1	36
38	537 21 50-01	SEALING		1	36
39	503 97 85-01	GASKET KIT	A = Set of gaskets	1	



## FUEL TANK

357 XP, 2011180001-Current

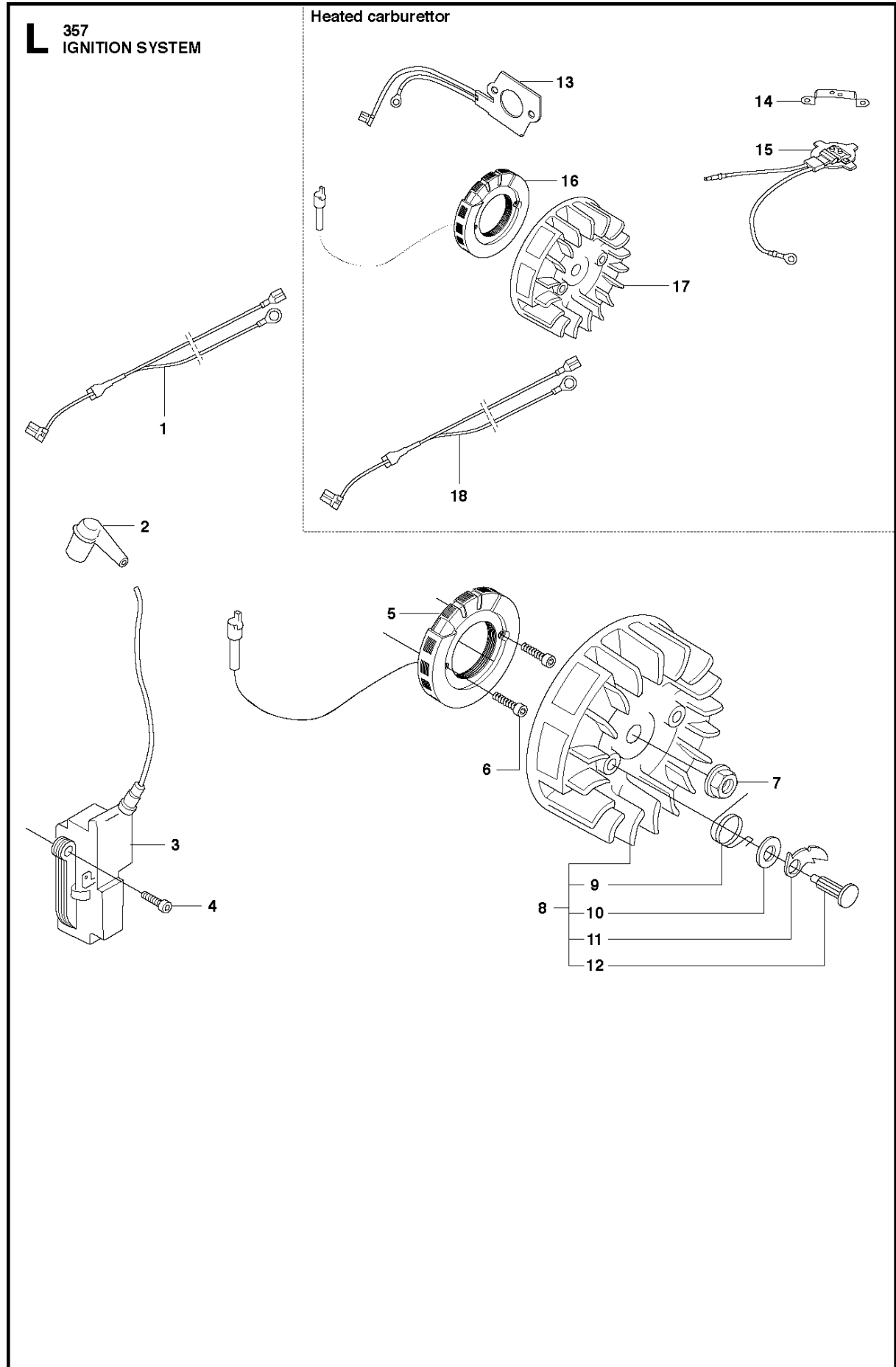
Ref	Part No	Description	Remark	QTY	KIT
1	503 92 30-01	FUEL TANK		1	
2	537 35 95-01	TANK VENT ASSY		1	1
3	544 32 49-20	FUEL HOSE		1	1
4	720 18 25-20	PARALLEL PIN		1	1
5	503 85 45-01	TRIGGER		1	1
6	503 85 44-01	THROTTLE LOCKOUT		1	1
7	503 99 86-01	RECOIL SPRING		1	1
8	503 85 41-01	ANTIVIBRATION ELEMENT		1	
9	503 21 88-76	SCREW IHSCT		1	
10	537 21 52-02	TANK CAP ASSY		1	
10	537 21 52-03	TANK CAP ASSY	E-tech	1	
11	503 57 89-01	HOLDER		1	10
12	537 21 50-01	SEALING		1	10
13	503 92 31-01	ANTIVIBRATION ELEMENT		1	
14	503 21 88-76	SCREW IHSCT		1	
15	503 44 32-01	FUEL FILTER		1	
16	503 96 43-01	WEAR PROTECTION		1	
17	544 32 50-02	FUEL HOSE		1	



HANDLE

357 XP, 20111800001-Current

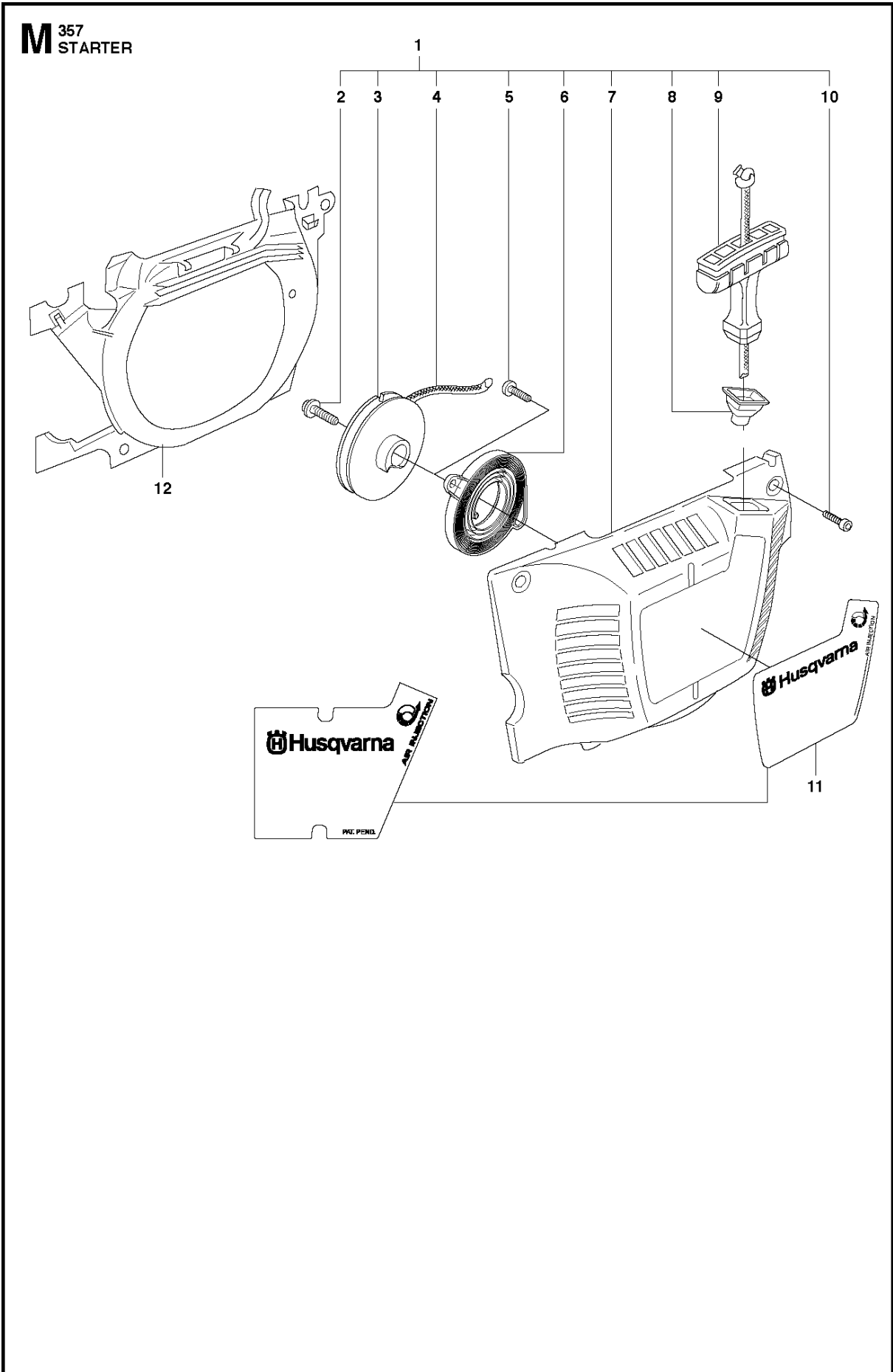
Ref	Part No	Description	Remark	QTY	KIT
1	537 25 65-01	HANDLE		1	
1	537 25 65-02	HANDLE	G	1	2
2	537 32 74-01	HANDLE	G	1	
3	537 32 73-01	CONTACT	G	1	2
4	503 92 61-02	HEATING PLATE	G	1	2
5	503 21 38-01	SCREW CRCSRT	G	2	
6	503 21 88-76	SCREW IHSCCT		3	
7	503 92 33-01	ANTIVIBRATION ELEMENT		1	
8	503 21 88-72	SCREW IHSCCT		2	
9	544 28 38-01	SPIKE		3	
10	544 34 92-01	HANDLE		1	
10	544 34 92-02	HANDLE	G	1	



## IGNITION SYSTEM

357 XP, 20111800001-Current

Ref	Part No	Description	Remark	QTY	KIT
1	503 89 87-01	WIRING ASSY		1	
2	501 48 54-02	SPARK PLUG CAP		1	
3	544 04 70-01	IGNITION MODULE		1	
4	503 21 55-25	SCREW IH SCT		2	
5	537 33 02-01	GENERATOR STATOR	G	1	
6	503 20 25-16	SCREW IH SCM		2	
7	503 22 04-01	NUT		1	
8	503 92 18-01	FLYWHEEL		1	
8	503 92 18-04	FLYWHEEL	G	1	
9	503 81 81-01	SPRING		2	8, 17
10	503 23 00-42	WASHER		2	8, 17
11	537 10 36-01	STARTER PAWL		2	8, 17
12	501 81 99-03	SCREW		2	8, 17
13	504 04 32-01	HEATING PLATE	G	1	
14	537 06 04-02	RETAINER	G	1	
15	501 98 63-01	THERMOSTAT ASSY	G	1	
16	502 60 96-01	GENERATOR STATOR	G, Heated carburettor	1	
17	503 92 18-05	FLYWHEEL	G, Heated carburettor	1	
18	503 89 87-05	WIRING ASSY		1	



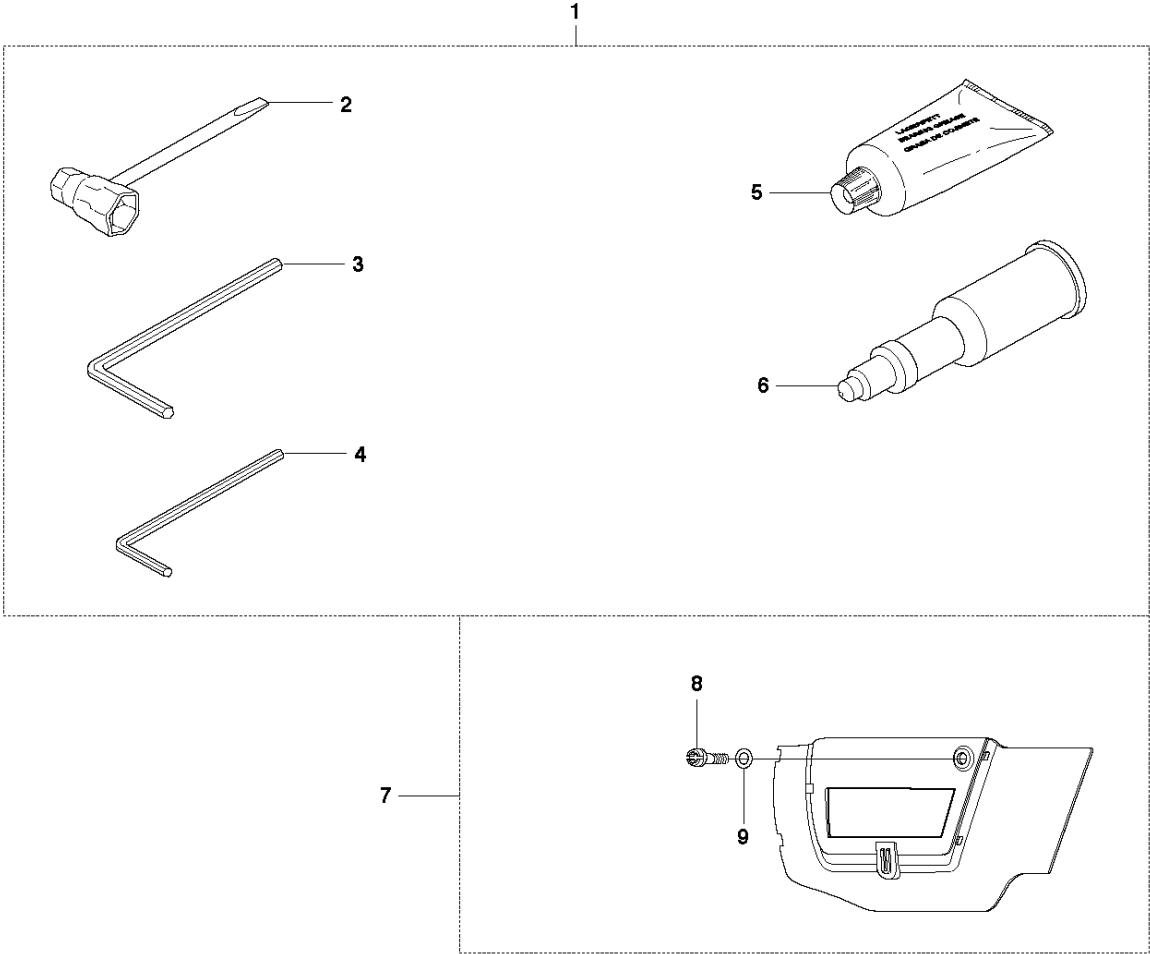


## STARTER

357 XP, 20111800001-Current

Ref	Part No	Description	Remark	QTY	KIT
1	503 93 06-03	STARTER		1	
2	503 21 52-16	SCREW IHSCFT		1	1
3	537 06 59-01	STARTER PULLEY		1	1
4	505 30 51-25	STARTER CORD		1	1
5	503 21 29-10	SCREW CCRPANT		2	1
6	537 09 31-01	SPRING CASSETTE ASSY		1	1
7	503 93 07-02	STARTER HOUSING		1	1
8	501 63 06-01	SLEEVE		1	1
9	503 54 39-01	STARTER HANDLE		1	1
10	544 08 03-01	SCREW		4	1
11	537 32 48-01	LABEL	357XP	1	
11	537 32 48-02	LABEL	357XPG	1	
11	537 32 48-03	LABEL	357XPG carb heat	1	
11	537 32 48-04	LABEL	357XPG E-tech	1	
11	537 32 48-06	LABEL	357XPG carb heat E-tech	1	
12	503 92 89-01	AIR CONDUCTOR		1	

**P** 357  
ACCESSORIES



## ACCESSORIES

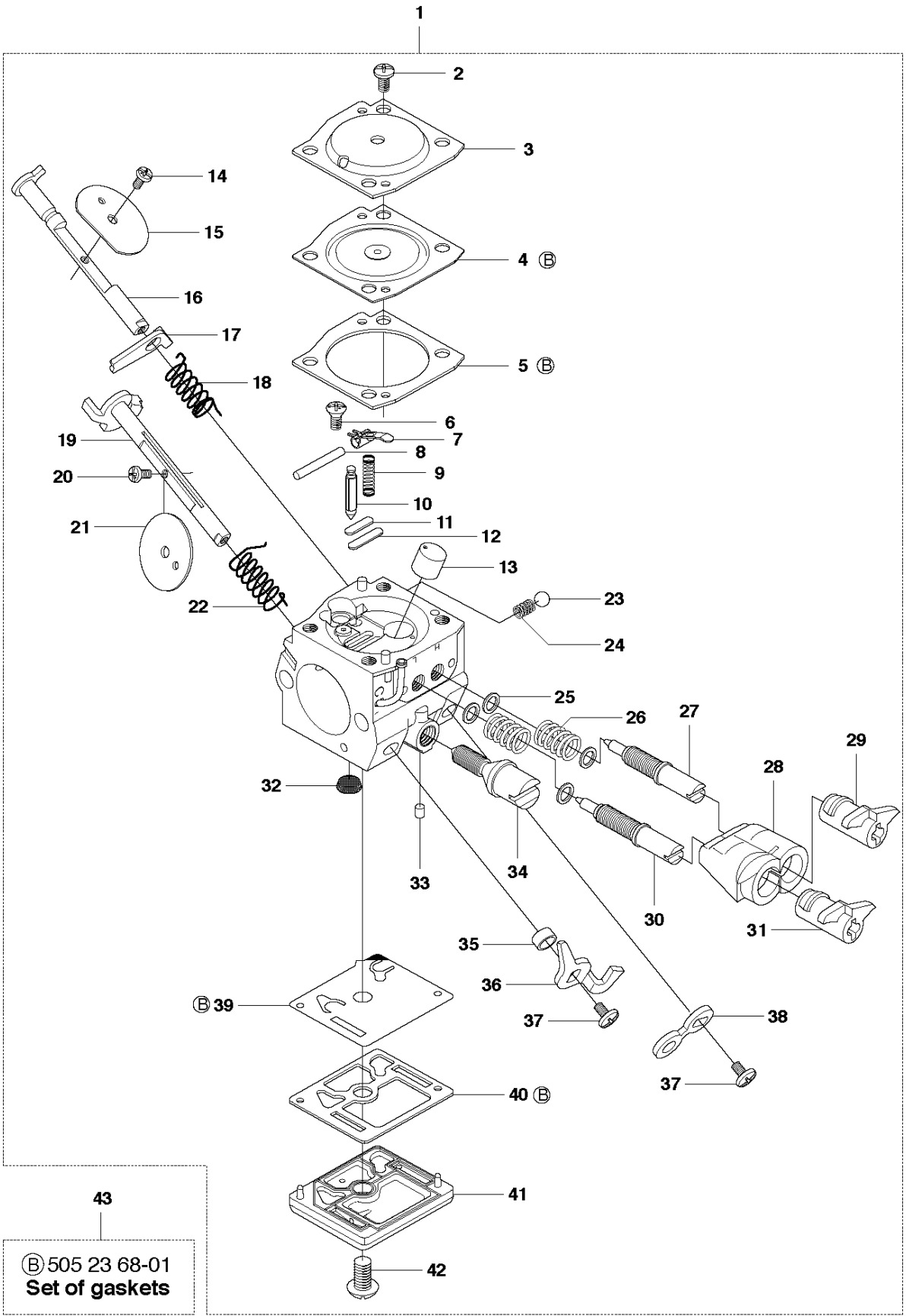
357 XP, 20111800001-Current

Ref	Part No	Description	Remark	QTY	KIT
1	503 55 85-01	TOOL		1	
2	501 69 17-01	COMBINATION WRENCH		1	1
3	503 55 86-02	SPANNER		1	1
4	503 55 86-01	SPANNER		1	1
5	503 62 12-01	GREASE		1	1
6	501 91 14-01	GREASE GUN		1	1
7	503 97 88-01	WINTER COVER	WINTER KIT	1	
8	503 21 70-16	SCREW CCRPANT		1	7
9	740 42 01-00	O-RING		1	7

**N** 357  
CARBURETTOR



# ZAMA C3-EL42

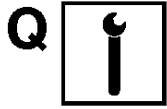


43  
ⓑ 505 23 68-01  
Set of gaskets

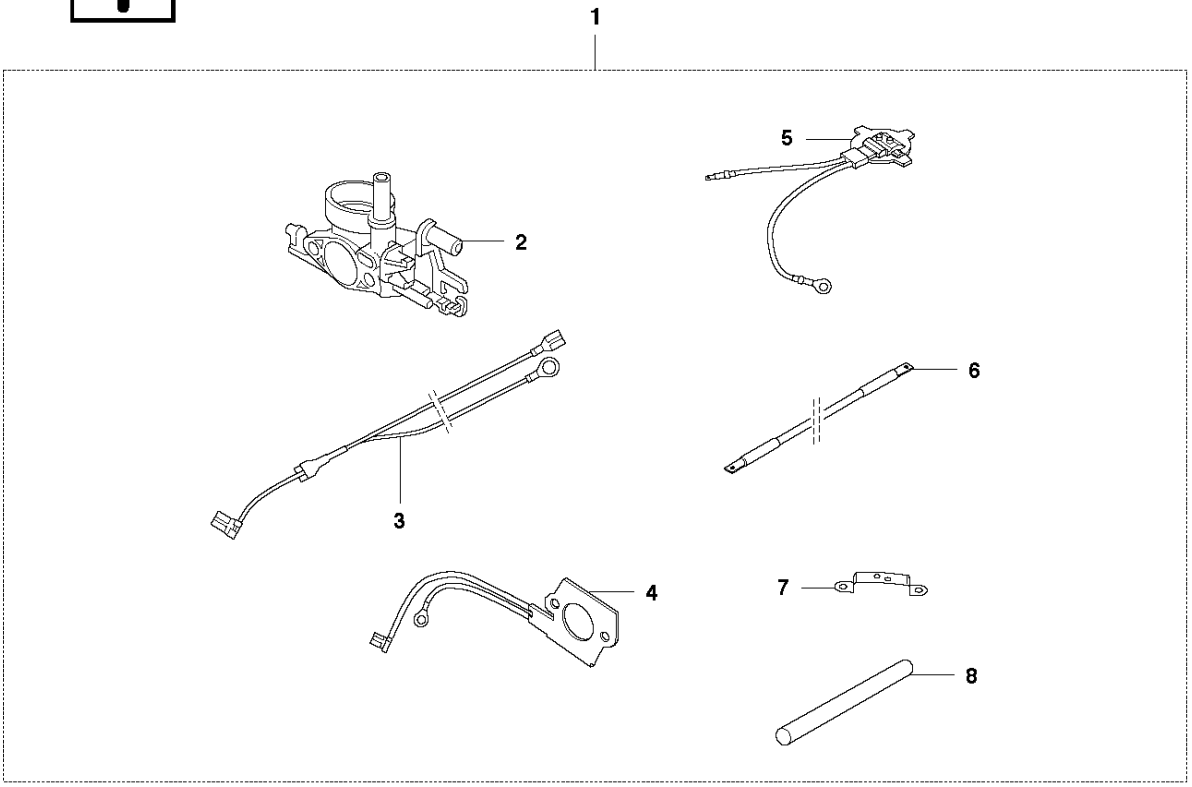
## CARBURETOR

357 XP, 2011180001-Current

Ref	Part No	Description	Remark	QTY	KIT
1	505 20 30-01	CARBURETTOR		1	
2	503 48 05-01	SCREW		4	1
3	537 17 60-01	COVER		1	1
4	537 17 59-01	DIAPHRAGM		1	1, 43
5	505 22 39-01	GASKET		1	1, 43
6	544 08 21-01	SCREW		1	1
7	537 17 64-01	LEVER		1	1
8	503 48 00-01	PIN RETAINING SCREW		1	1
9	537 17 63-01	SPRING		1	1
10	537 17 62-01	VALVE		1	1
11	537 17 78-01	PLUG		1	1
12	503 53 56-01	PLUG WELCH		1	1
13	505 23 67-01	NOZZLE ASSY		1	1
14	503 52 36-01	SCREW		1	1
15	537 17 72-01	VALVE		1	1
16	537 17 71-01	SHAFT ASSY		1	1
17	544 05 67-01	LEVER		1	1
18	537 17 66-01	SPRING		1	1
19	537 17 57-01	SHAFT ASSY		1	1
20	503 48 18-01	SCREW		1	1
21	537 17 70-01	VALVE		1	1
22	537 17 61-01	SPRING		1	1
23	537 01 25-01	BALL		1	1
24	537 01 26-01	SPRING		2	1
25	503 90 31-01	WASHER		4	1
26	503 48 08-01	SPRING		2	1
27	537 17 85-01	SCREW		1	1
28	503 90 34-01	RETAINER		1	1
29	503 90 33-01	LIMITER CAP		1	1
30	537 17 86-01	SCREW		1	1
31	503 90 32-01	LIMITER CAP		1	1
32	503 53 57-01	STRAINER		1	1
33	503 48 11-01	PIECE		1	1
34	504 02 73-01	SCREW		1	1
35	503 48 19-01	COLLAR		1	1
36	537 17 69-01	LEVER		1	1
37	503 47 90-01	SCREW		2	1
38	537 17 75-01	LEVER		1	1
39	537 38 02-01	DIAPHRAGM		1	1, 43
40	503 61 66-01	GASKET		1	1, 43
41	537 17 68-01	COVER		1	1
42	503 47 96-01	SCREW		1	1
43	505 23 68-01	KIT	B = Set of gaskets	1	



### Up to 073900001 (357)



SERVICE UPDATES

357 XP, 20111800001-Current

Ref	Part No	Description	Remark	QTY	KIT
1	502 62 87-01	KIT		1	
2	544 01 10-02	FILTER HOLDER		1	1
3	503 89 87-05	WIRING ASSY		1	1
4	504 04 32-01	HEATING PLATE		1	1
5	501 98 63-01	THERMOSTAT ASSY		1	1
6	504 11 68-01	WIRING ASSY		1	1
7	537 06 04-02	RETAINER		1	1
8	504 04 35-01	CABLE COVER		1	1