

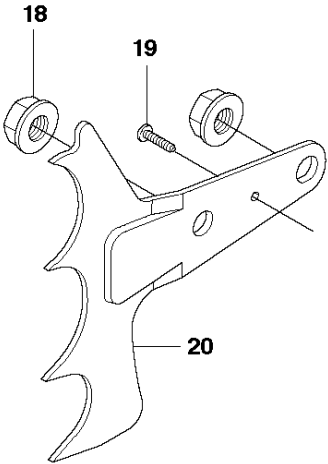
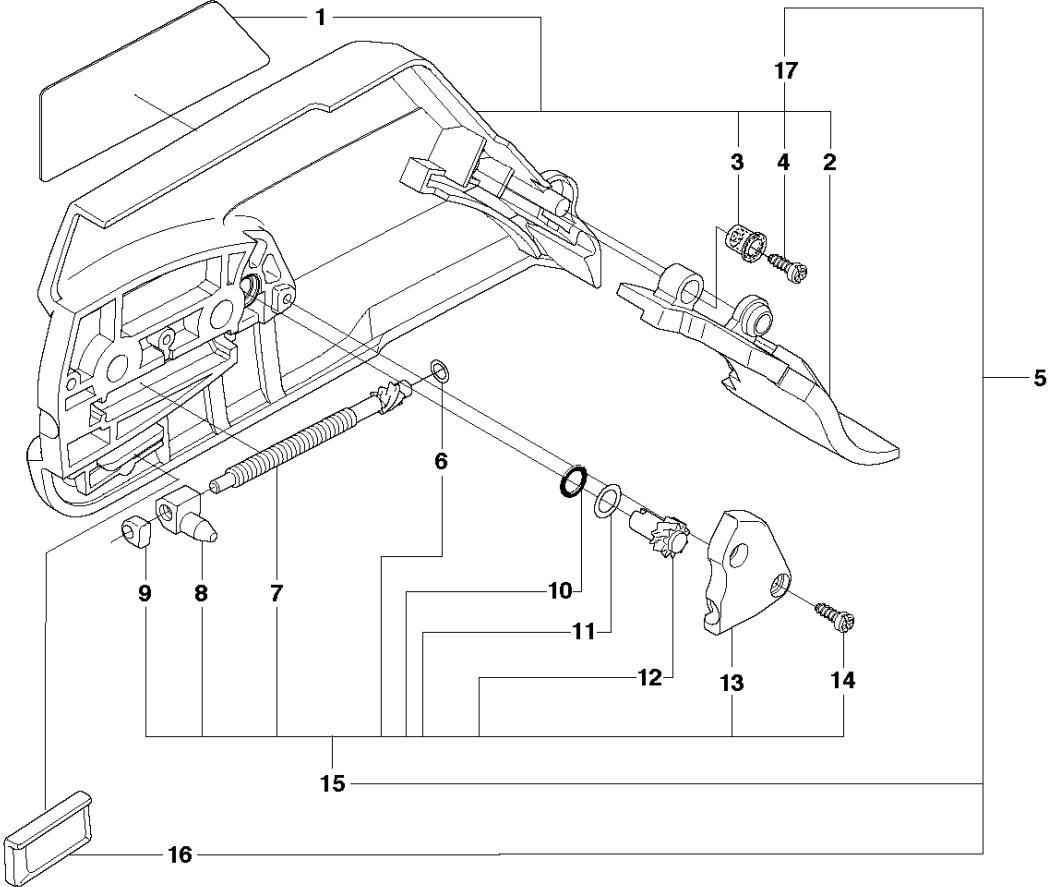


# SPARE PARTS LIST

CHAIN SAWS

365 X-TORQ

**A** 365 X-TORQ  
CLUTCH COVER

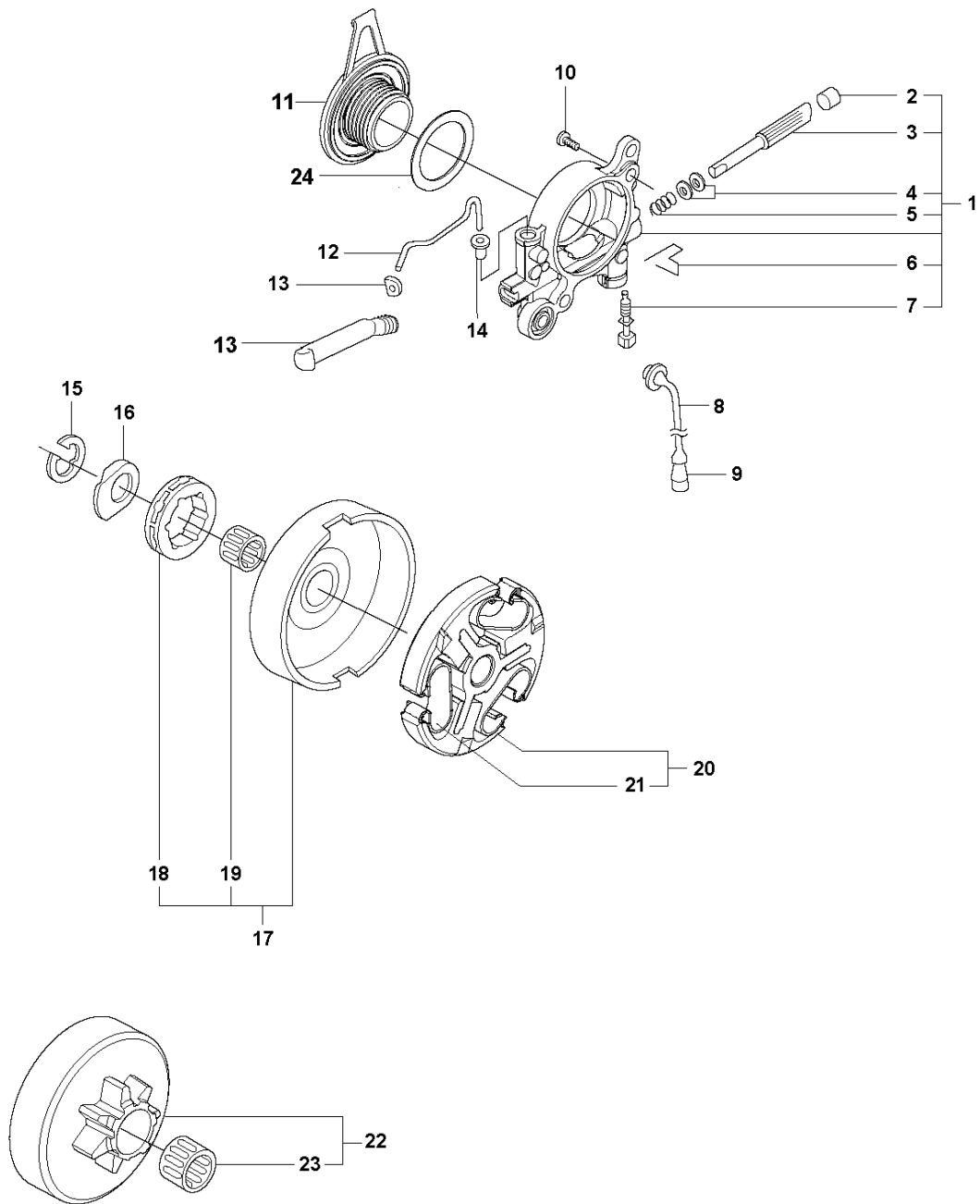


## CLUTCH COVER

365 X-TORQ

| Ref | Part No      | Description       | Remark | QTY | KIT   |
|-----|--------------|-------------------|--------|-----|-------|
| 1   | 537 03 38-03 | LABEL             |        | 1   | 5, 17 |
| 2   | 503 76 29-02 | CHIP GUARD        |        | 1   | 5, 17 |
| 3   | 503 89 70-01 | SLEEVE            |        | 1   | 5, 17 |
| 4   | 525 88 74-02 | SCREW CITXPANT    |        | 1   | 5, 17 |
| 5   | 537 03 35-01 | CLUTCH COVER ASSY |        | 1   |       |
| 6   | 503 23 00-66 | WASHER            |        | 1   | 5,15  |
| 7   | 537 07 95-02 | WORM SCREW        |        | 1   | 5,15  |
| 8   | 503 99 83-01 | PAWL              |        | 1   | 5,15  |
| 9   | 537 01 74-01 | BEARING SLEEVE    |        | 1   | 5,15  |
| 10  | 740 48 07-02 | O-RING            |        | 1   | 5,15  |
| 11  | 503 23 00-63 | WASHER            |        | 1   | 5,15  |
| 12  | 537 07 94-02 | WORM WHEEL        |        | 1   | 5,15  |
| 13  | 537 01 68-01 | COVER             |        | 1   | 5,15  |
| 14  | 525 88 74-02 | SCREW CITXPANT    |        | 2   | 5,15  |
| 15  | 537 04 41-02 | CHAIN TENSIONER   |        | 1   | 5     |
| 16  | 501 51 72-01 | CHAIN GUIDE       |        | 1   | 5     |
| 17  | 537 03 35-71 | CLUTCH COVER ASSY |        | 1   | 5     |
| 18  | 503 22 00-01 | HEXAGON NUT       |        | 2   |       |
| 19  | 525 88 74-02 | SCREW CITXPANT    |        | 1   |       |
| 20  | 503 71 97-01 | SPIKE             |        | 1   |       |

**B** 365 X-TORQ  
CLUTCH & OIL PUMP

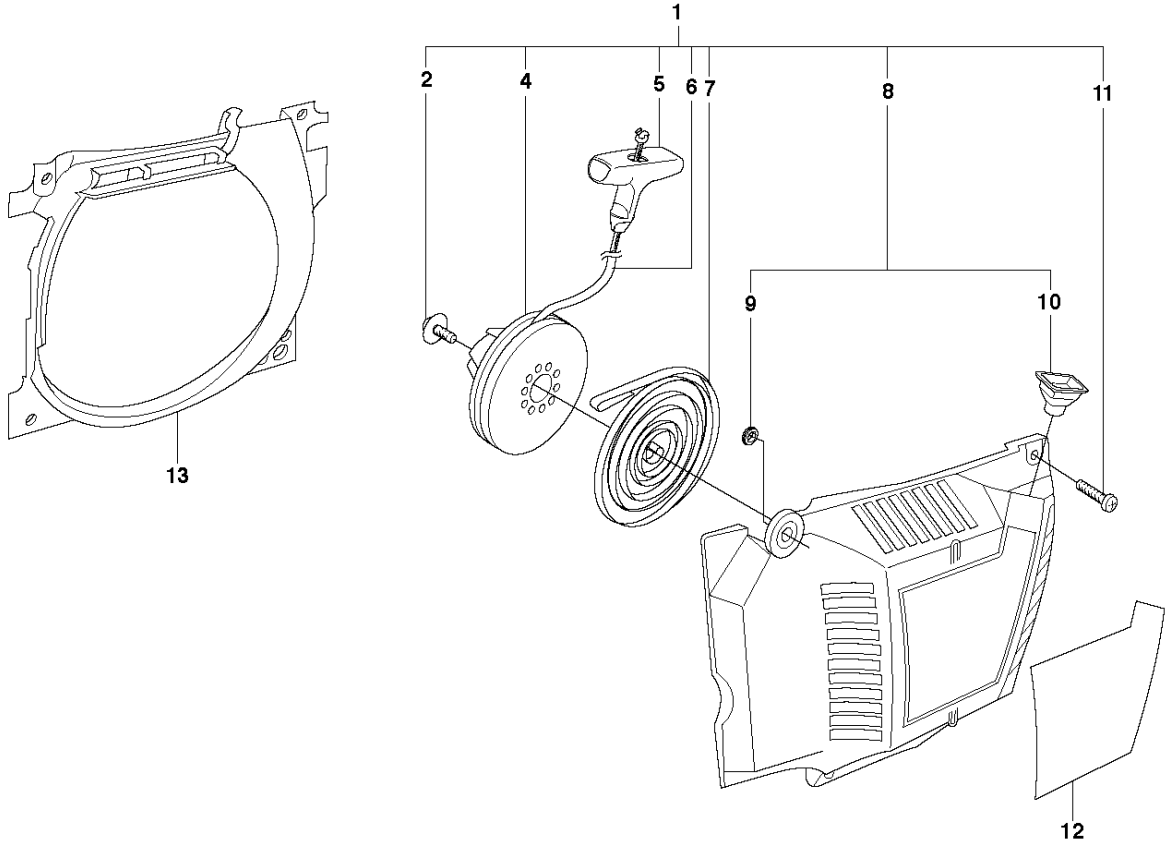


## CLUTCH &amp; OIL PUMP

365 X-TORQ

| Ref | Part No      | Description       | Remark                             | QTY | KIT |
|-----|--------------|-------------------|------------------------------------|-----|-----|
| 1   | 503 52 13-03 | OIL PUMP ASSY     |                                    | 1   |     |
| 2   | 503 62 49-01 | SEALING PLUG      |                                    | 1   | 1   |
| 3   | 503 52 15-01 | PUMP PISTON       |                                    | 1   | 1   |
| 4   | 503 23 00-04 | WASHER            |                                    | 1   | 1   |
| 5   | 501 61 58-01 | SPRING            |                                    | 1   | 1   |
| 6   | 503 81 30-01 | SPRING            |                                    | 1   | 1   |
| 7   | 503 81 13-01 | SCREW             |                                    | 1   | 1   |
| 8   | 503 42 67-01 | OIL HOSE          |                                    | 1   |     |
| 9   | 501 54 41-02 | OIL SCREEN        |                                    | 1   |     |
| 10  | 525 82 49-12 | SCREW ITXSCM      |                                    | 1   |     |
| 11  | 537 20 78-07 | PUMP PINION       |                                    | 1   |     |
| 12  | 503 77 43-01 | OIL PIPE          |                                    | 1   |     |
| 13  | 503 64 47-01 | BUSHING           | Up to serial number<br>20182009999 | 1   |     |
| 13  | 587 29 18-01 | OIL PRESSURE HOSE | From serial number<br>20182100001  | 1   |     |
| 14  | 504 30 00-26 | SEALING           |                                    | 1   |     |
| 15  | 503 27 21-01 | E-CLIP            |                                    | 1   |     |
| 16  | 503 75 24-01 | WASHER            |                                    | 1   |     |
| 17  | 586 98 06-01 | CLUTCH DRUM ASSY  | "3/8"x7T"                          | 1   |     |
| 17  | 586 98 06-02 | CLUTCH DRUM ASSY  | "3/8"x8T"                          | 1   |     |
| 18  | 501 59 80-02 | RIM               | "3/8"x7T"                          | 1   | 17  |
| 18  | 505 30 36-61 | RIM               | "3/8"x8T"                          | 1   | 17  |
| 19  | 503 43 20-01 | NEEDLE HOLDER     |                                    | 1   | 17  |
| 20  | 586 79 84-01 | CLUTCH ASSY       |                                    | 1   |     |
| 21  | 537 36 06-01 | CLUTCH SPRING     |                                    | 1   | 20  |
| 22  | 503 86 17-03 | CLUTCH DRUM ASSY  | "3/8"x8T"                          | 1   |     |
| 23  | 503 43 20-01 | NEEDLE HOLDER     |                                    | 1   | 22  |
| 24  | 503 23 00-59 | WASHER            |                                    | 1   |     |

**C** 365 X-TORQ  
STARTER

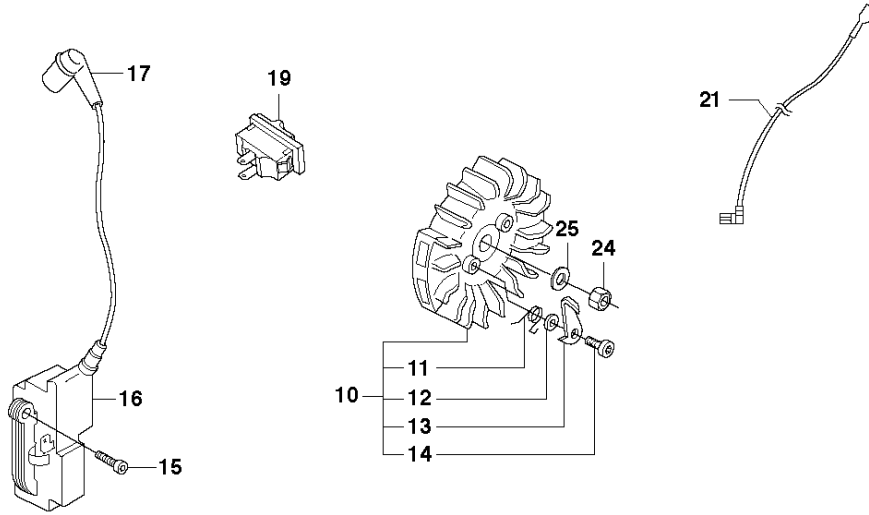


## STARTER

365 X-TORQ

| Ref | Part No      | Description     | Remark | QTY KIT |      |
|-----|--------------|-----------------|--------|---------|------|
| 1   | 503 62 81-71 | STARTER ASSY    |        | 1       |      |
| 2   | 586 44 31-01 | SCREW ITXSCFT   |        | 1       | 1    |
| 4   | 503 85 96-01 | STARTER PULLEY  |        | 1       | 1    |
| 5   | 522 03 73-01 | STARTER HANDLE  |        | 1       | 1    |
| 6   | 503 43 29-02 | STARTER CORD    |        | 1       | 1    |
| 7   | 537 28 36-02 | RECOIL SPRING   |        | 1       | 1    |
| 8   | 503 62 82-02 | STARTER HOUSING |        | 1       | 1    |
| 9   | 537 08 67-01 | BUSHING         |        | 1       | 1, 8 |
| 10  | 501 63 06-01 | SLEEVE          |        | 1       | 1, 8 |
| 11  | 525 82 45-01 | SCREW CITXPANMO |        | 4       | 1    |
| 12  | 537 23 02-14 | LABEL           |        | 1       |      |
| 13  | 503 62 83-01 | AIR CONDUCTOR   |        | 1       |      |

**D** 365 X-TORQ  
IGNITION SYSTEM



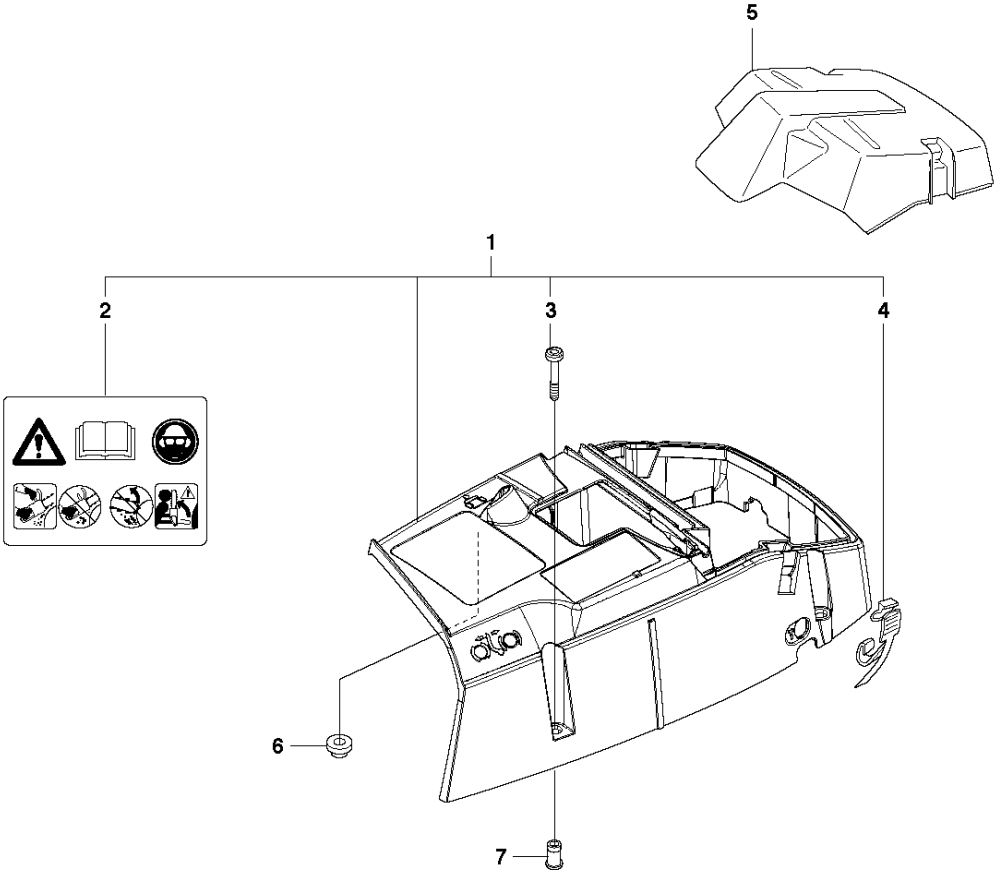


## IGNITION SYSTEM

365 X-TORQ

| Ref | Part No      | Description     | Remark   | QTY | KIT |
|-----|--------------|-----------------|----------|-----|-----|
| 10  | 537 05 16-05 | FLYWHEEL ASSY   |          | 1   |     |
| 11  | 501 67 35-01 | SPRING          |          | 1   | 10  |
| 12  | 503 23 00-42 | WASHER          |          | 1   | 10  |
| 13  | 537 01 55-01 | STARTER PAWL    |          | 1   | 10  |
| 14  | 506 00 69-01 | SCREW           |          | 1   | 10  |
| 15  | 582 02 97-01 | SCREW ITXSCM    |          | 2   |     |
| 16  | 588 93 74-03 | IGNITION MODULE | DM51 COT | 1   |     |
| 17  | 501 48 54-02 | SPARK PLUG CAP  |          | 1   |     |
| 19  | 503 71 82-01 | SWITCH          |          | 1   |     |
| 21  | 503 62 61-01 | CABLE           |          | 1   |     |
| 24  | 503 22 10-11 | HEXAGON NUT     |          | 2   |     |
| 25  | 503 23 01-01 | WASHER          |          | 1   |     |

**E** 365 X-TORQ  
CYLINDER COVER

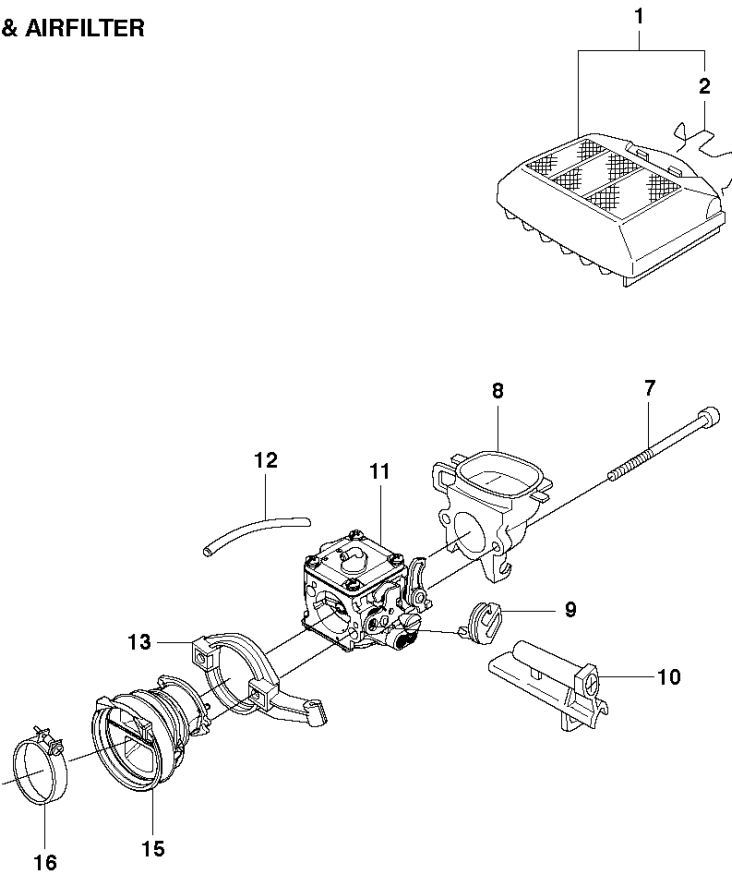


CYLINDER COVER

365 X-TORQ

| Ref | Part No      | Description         | Remark | QTY KIT |   |
|-----|--------------|---------------------|--------|---------|---|
| 1   | 575 25 59-02 | CYLINDER COVER ASSY |        | 1       |   |
| 2   | 503 98 74-01 | LABEL               |        | 1       | 1 |
| 3   | 525 88 70-01 | SCREW CITXPANMO     |        | 3       | 1 |
| 4   | 503 74 01-02 | SNAP LOCKING        |        | 2       | 1 |
| 5   | 503 62 80-01 | FILTER COVER        |        | 1       |   |
| 6   | 537 01 65-01 | SUPPORT             |        | 1       |   |
| 7   | 537 05 59-03 | SLEEVE              |        | 3       | 1 |

**F** 365 X-TORQ  
CARBURETOR & AIRFILTER

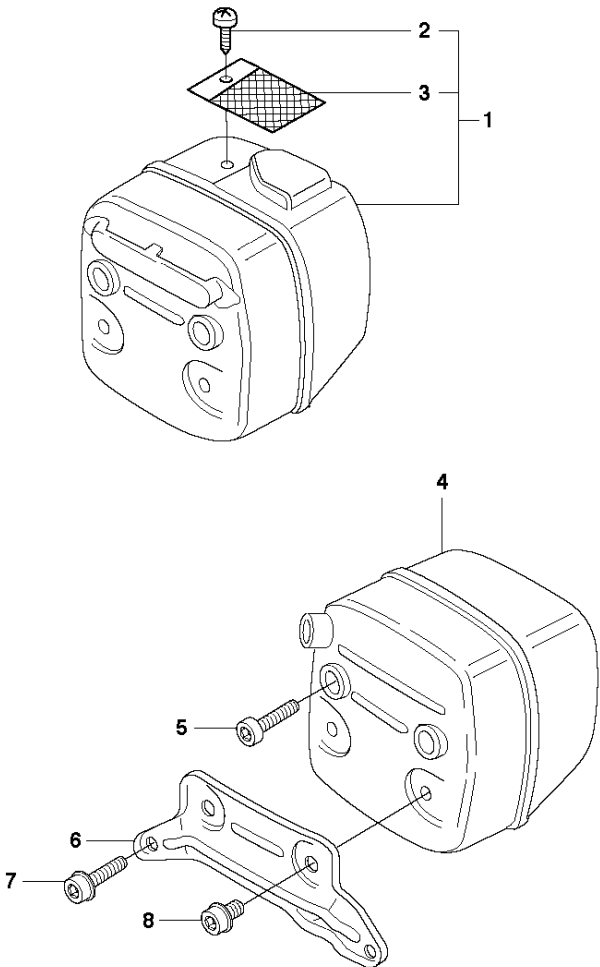


## CARBURETOR &amp; AIR FILTER

365 X-TORQ

| Ref | Part No      | Description     | Remark              | QTY | KIT |
|-----|--------------|-----------------|---------------------|-----|-----|
| 1   | 575 26 91-01 | AIR FILTER ASSY | 80 My               | 1   |     |
| 1   | 575 26 91-02 | AIR FILTER ASSY | 44 My               | 1   |     |
| 1   | 575 26 91-03 | AIR FILTER ASSY | Felt                | 1   |     |
| 2   | 503 73 54-01 | CLAMP           |                     | 1   | 1   |
| 7   | 581 14 30-02 | SCREW ITXSCM    |                     | 2   |     |
| 8   | 515 98 29-02 | FILTER HOLDER   |                     | 1   |     |
| 9   | 503 68 41-01 | LEVER           |                     | 1   |     |
| 10  | 522 41 88-01 | GUIDE SLEEVE    |                     | 1   |     |
| 11  | 581 10 07-01 | CARBURETTOR     | Walbro RWJ-4B       | 1   |     |
| 12  | 503 40 06-04 | IMPULSE HOSE    |                     | 1   |     |
| 13  | 522 44 62-01 | FLANGE          |                     | 1   |     |
| 15  | 521 99 25-04 | INLET PIPE      | For cold conditions | 1   |     |
| 15  | 521 99 25-03 | INLET PIPE      |                     | 1   |     |
| 16  | 505 28 33-11 | HOSE CLAMP      |                     | 1   |     |

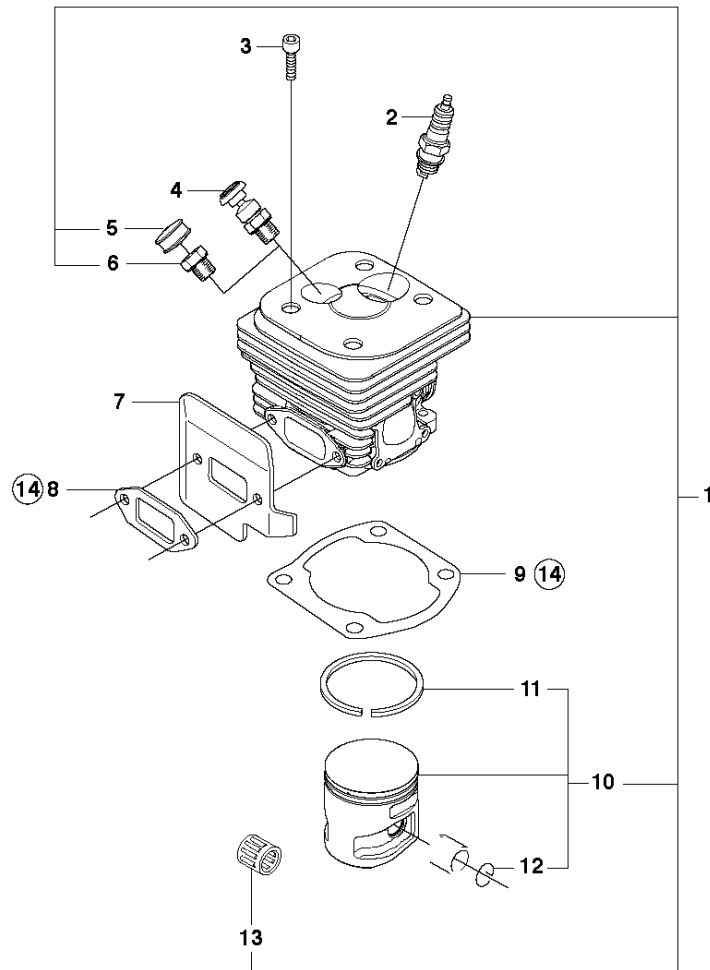
**G** 365 X-TORQ  
MUFFLER



## MUFFLER

365 X-TORQ

| Ref | Part No      | Description           | Remark | QTY | KIT |
|-----|--------------|-----------------------|--------|-----|-----|
| 1   | 544 02 97-02 | MUFFLER ASSY          | DF     | 1   |     |
| 2   | 724 12 87-59 | SCREW CRPANM          |        | 1   | 1   |
| 3   | 503 76 64-02 | SPARK ARRESTER SCREEN |        | 1   | 1   |
| 4   | 544 02 95-01 | MUFFLER ASSY          | Tube   | 1   |     |
| 5   | 525 82 51-01 | SCREW ITXSCM          |        | 2   |     |
| 6   | 579 02 59-01 | SUPPORT               |        | 1   |     |
| 7   | 525 75 51-01 | SCREW ITXSCFM         |        | 2   |     |
| 8   | 525 75 51-07 | SCREW ITXSCFM         |        | 2   |     |

**H** 365 X-TORQ  
CYLINDER PISTON

⑭ 503 64 72-01  
**Set of gaskets**  
**Dichtungssatz**  
**Jeu de joints**  
**Juego de juntas**  
**Packningssats**

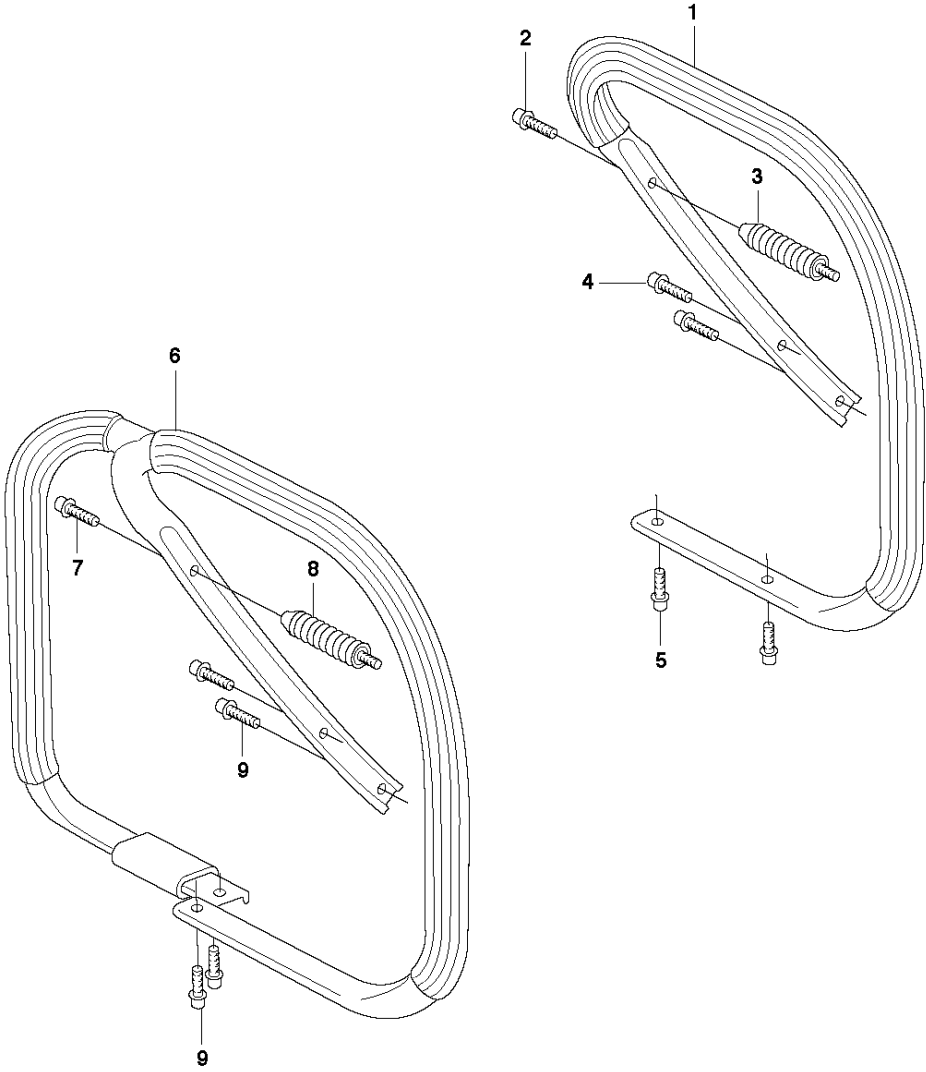


## CYLINDER PISTON

365 X-TORQ

| Ref | Part No      | Description         | Remark         | QTY KIT |       |
|-----|--------------|---------------------|----------------|---------|-------|
| 1   | 575 77 41-02 | CYLINDER ASSY       |                | 1       |       |
| 2   | 503 23 51-11 | SPARK PLUG          | BPMR7A         | 1       |       |
| 3   | 525 82 49-03 | SCREW ITXSCM        |                | 4       |       |
| 4   | 584 28 87-01 | DECOMPRESSION VALVE |                | 1       |       |
| 5   | 537 20 71-01 | PLUG                |                | 1       | 1     |
| 6   | 503 55 22-01 | PLUG                |                | 1       | 1     |
| 7   | 523 04 91-01 | HEAT DEFLECTOR      |                | 1       |       |
| 8   | 503 77 59-01 | GASKET              |                | 1       | 14    |
| 9   | 503 96 15-01 | GASKET              |                | 1       | 14    |
| 10  | 577 20 77-02 | PISTON ASSY         |                | 1       | 1     |
| 11  | 576 81 84-01 | PISTON RING         |                | 2       | 1, 10 |
| 12  | 737 43 12-00 | SNAP RING           |                | 2       | 1, 10 |
| 13  | 577 57 24-01 | NEEDLE BEARING      |                | 1       |       |
| 14  | 503 64 72-01 | GASKET KIT          | Set of gaskets | 1       | 1     |

**J** 365 X-TORQ  
HANDLE

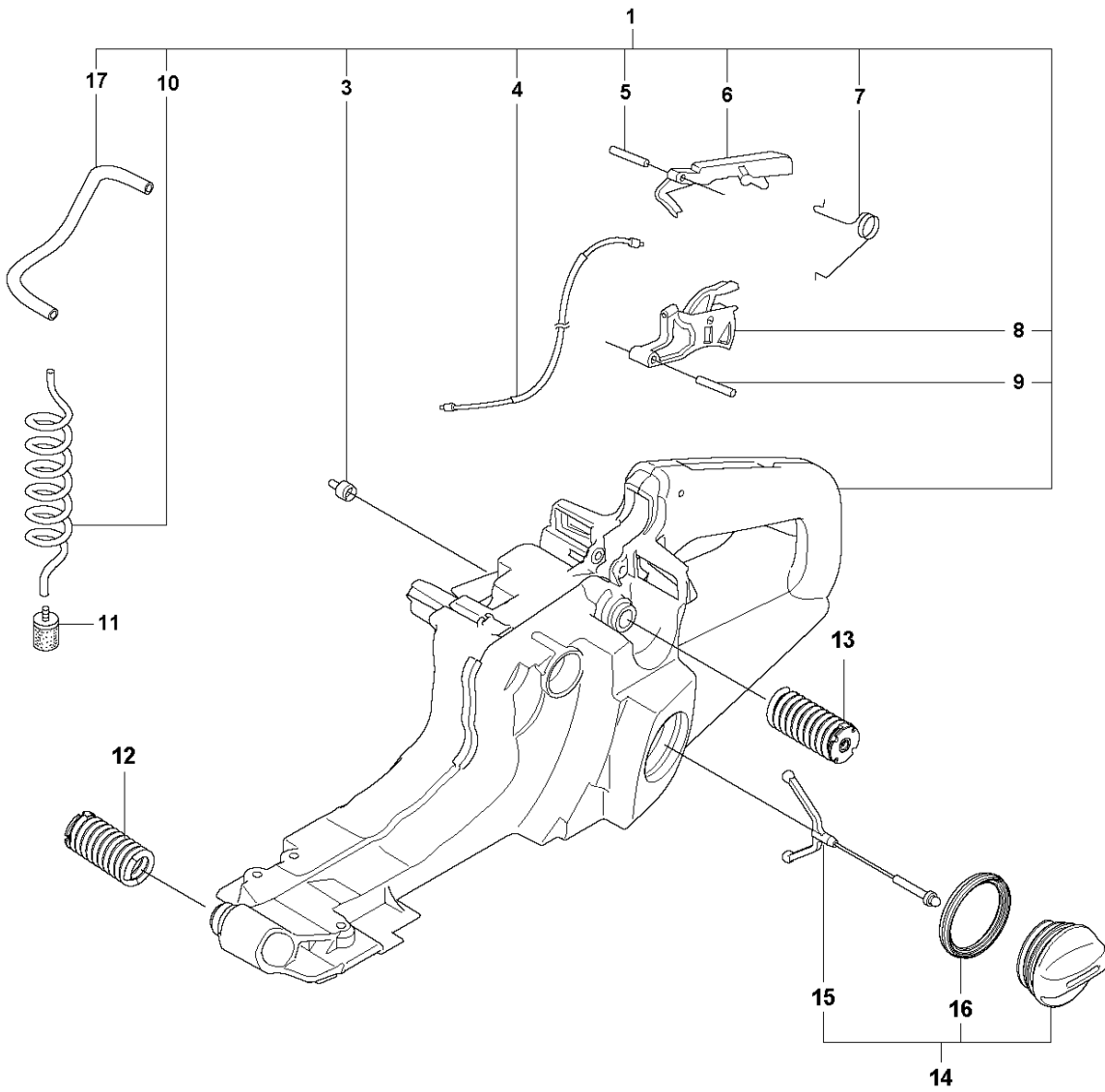


HANDLE

365 X-TORQ

| Ref | Part No      | Description           | Remark | QTY | KIT |
|-----|--------------|-----------------------|--------|-----|-----|
| 1   | 522 42 88-01 | FRONT HANDLE ASSY     |        | 1   |     |
| 2   | 586 44 00-01 | SCREW ITXSCFT         |        | 1   |     |
| 3   | 503 63 75-04 | ANTIVIBRATION ELEMENT | STD    | 1   |     |
| 3   | 503 63 75-05 | ANTIVIBRATION ELEMENT | HARD   | 1   |     |
| 4   | 586 44 30-01 | SCREW ITXSCFT         |        | 2   |     |
| 5   | 586 44 30-01 | SCREW ITXSCFT         |        | 2   |     |
| 6   | 522 59 32-01 | FRONT HANDLE ASSY     | WRAP   | 1   |     |
| 7   | 586 44 00-01 | SCREW ITXSCFT         |        | 1   |     |
| 8   | 503 63 75-04 | ANTIVIBRATION ELEMENT |        | 1   |     |
| 9   | 586 44 30-01 | SCREW ITXSCFT         |        | 5   | 10  |

**K** 365 X-TORQ  
FUEL TANK

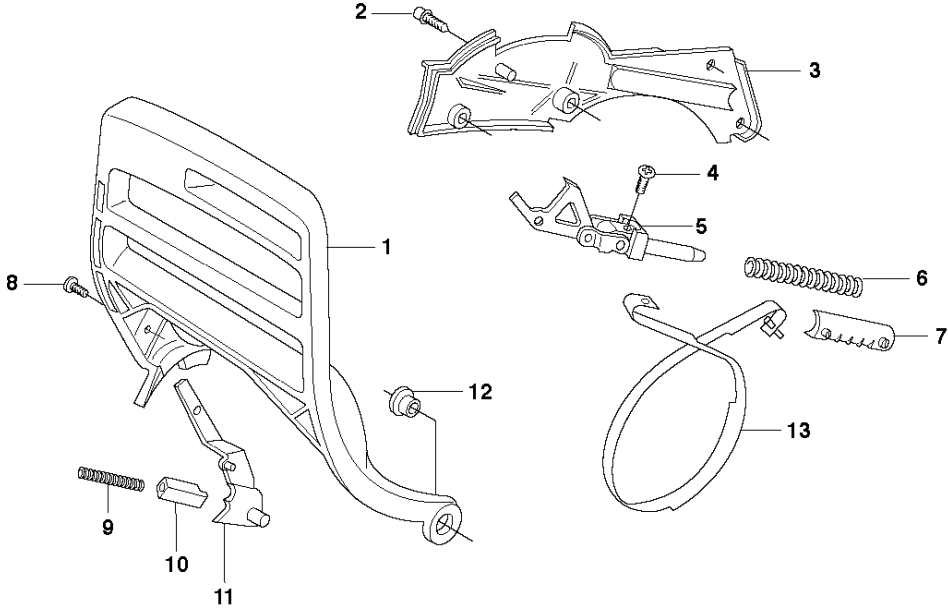


## FUEL TANK

365 X-TORQ

| Ref | Part No      | Description           | Remark                             | QTY KIT |    |
|-----|--------------|-----------------------|------------------------------------|---------|----|
| 1   | 544 11 40-13 | FUEL TANK             |                                    | 1       |    |
| 2   | 537 09 93-01 | CONNECTION BEND       | Up to serial number<br>20184700378 | 1       | 1  |
| 3   | 501 15 29-01 | TANK VENT ASSY        | From serial number<br>20184700379  | 1       |    |
| 3   | 537 09 22-01 | TANK VENT ASSY        | Up to serial number<br>20184700378 | 1       | 1  |
| 4   | 503 71 76-01 | THROTTLE CABLE ASSY   |                                    | 1       | 1  |
| 5   | 720 12 40-20 | PARALLEL PIN          |                                    | 1       | 1  |
| 6   | 503 55 66-01 | THROTTLE LOCKOUT      |                                    | 1       | 1  |
| 7   | 503 73 64-01 | SPRING                |                                    | 1       | 1  |
| 8   | 503 82 98-01 | TRIGGER               |                                    | 1       | 1  |
| 9   | 720 12 72-20 | PARALLEL PIN          |                                    | 1       |    |
| 10  | 581 75 62-02 | FUEL HOSE             |                                    | 1       | 1  |
| 11  | 503 44 32-01 | FUEL FILTER           |                                    | 1       |    |
| 12  | 503 63 76-03 | ANTIVIBRATION ELEMENT | Std                                | 1       |    |
| 12  | 503 63 76-04 | ANTIVIBRATION ELEMENT | Hard                               | 1       |    |
| 13  | 503 89 56-01 | ANTIVIBRATION ELEMENT | Std                                | 1       |    |
| 13  | 503 89 56-02 | ANTIVIBRATION ELEMENT | Hard                               | 1       |    |
| 14  | 537 21 52-07 | TANK CAP ASSY         |                                    | 1       |    |
| 15  | 503 57 89-01 | HOLDER                |                                    | 1       | 14 |
| 16  | 589 24 11-01 | GASKET                |                                    | 1       | 14 |
| 17  | 581 75 61-06 | FUEL HOSE             |                                    | 1       | 1  |

**L** 365 X-TORQ  
CHAIN BRAKE

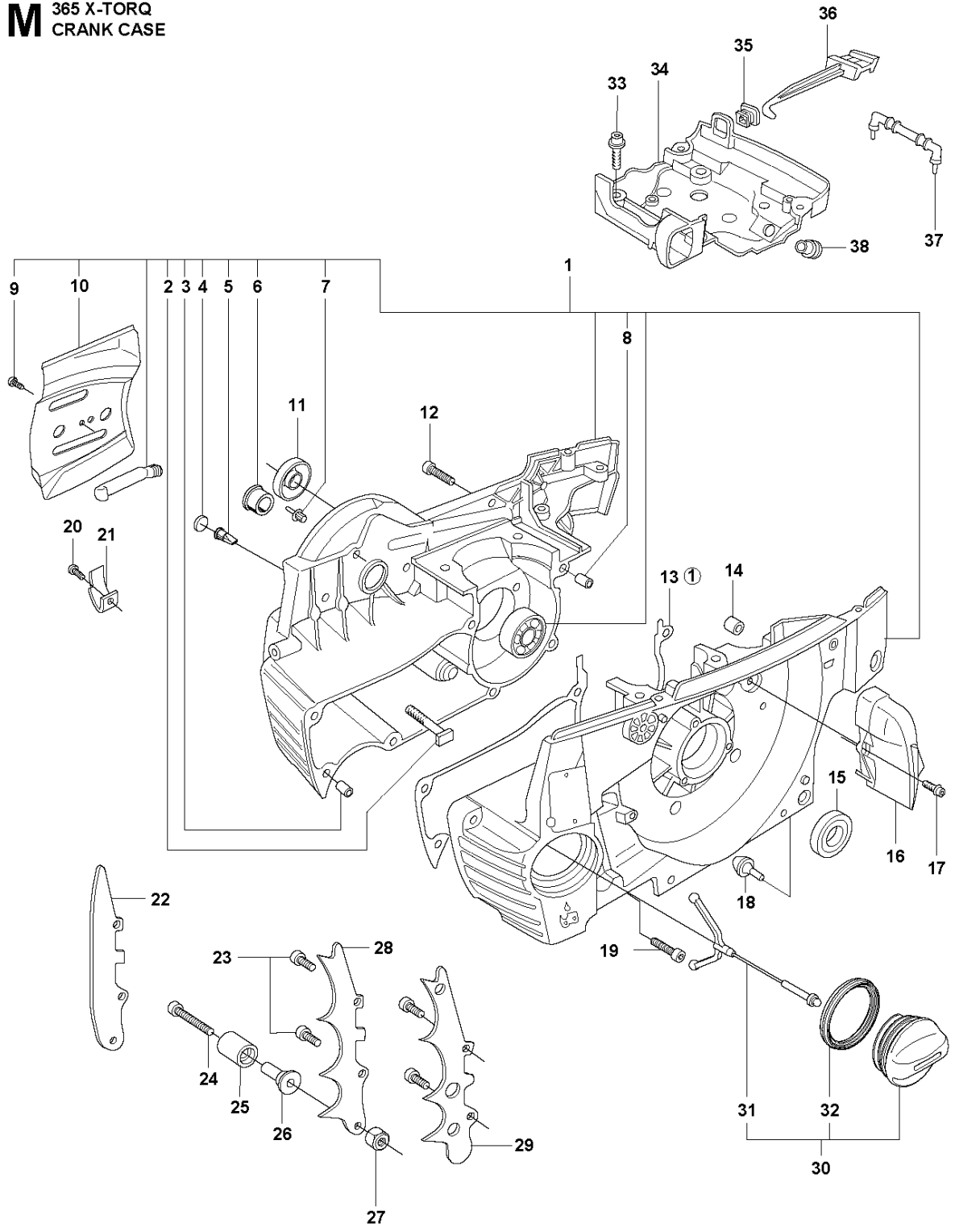


## CHAIN BRAKE

365 X-TORQ

| Ref | Part No      | Description     | Remark | QTY KIT |
|-----|--------------|-----------------|--------|---------|
| 1   | 515 98 09-01 | HAND GUARD      |        | 1       |
| 2   | 525 75 52-01 | SCREW ITXSCFM   |        | 4       |
| 3   | 503 75 11-03 | HUB CAP         |        | 1       |
| 4   | 525 88 74-02 | SCREW CITXPANT  |        | 1       |
| 5   | 501 87 53-03 | KNEE JOINT      |        | 1       |
| 6   | 503 70 99-01 | BRAKE SPRING    |        | 1       |
| 7   | 503 79 27-02 | SUPPORT         |        | 1       |
| 8   | 586 43 85-01 | SCREW ITXSCM    |        | 1       |
| 9   | 503 43 65-01 | POSITION SPRING |        | 1       |
| 10  | 503 83 81-02 | LOCK            |        | 1       |
| 11  | 537 00 87-01 | BRAKE LEVER     |        | 1       |
| 12  | 503 77 52-01 | BUSHING         |        | 1       |
| 13  | 503 75 22-02 | BRAKE BAND ASSY |        | 1       |

**M** 365 X-TORQ  
CRANK CASE



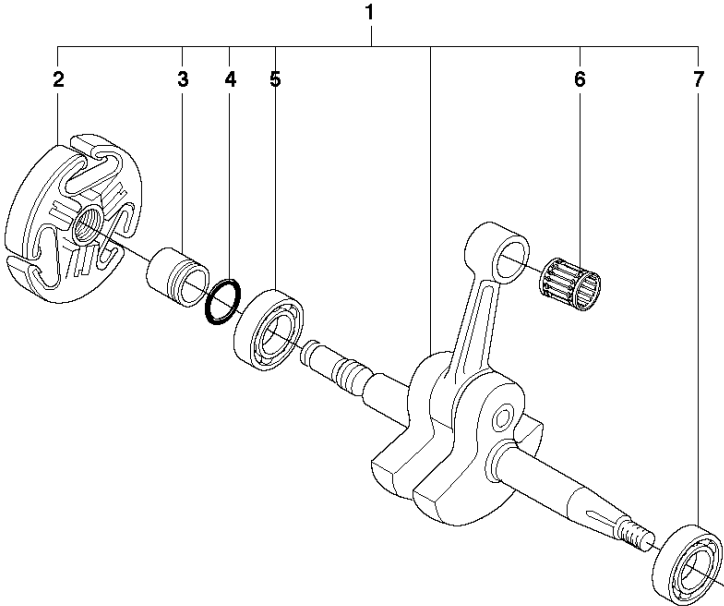


## CRANKCASE

365 X-TORQ

| Ref | Part No      | Description           | Remark                             | QTY KIT |    |
|-----|--------------|-----------------------|------------------------------------|---------|----|
| 1   | 503 62 68-13 | CRANKCASE ASSY        |                                    | 1       |    |
| 2   | 537 05 13-01 | BAR BOLT              |                                    | 1       | 1  |
| 3   | 501 27 08-01 | GUIDE BUSHING         |                                    | 1       | 1  |
| 4   | 530 02 61-19 | CHECK VALVE           |                                    | 1       | 1  |
| 5   | 537 40 35-01 | FILTER                |                                    | 1       | 1  |
| 6   | 503 96 70-01 | BUSHING               |                                    | 1       | 1  |
| 7   | 503 75 18-01 | PIN                   |                                    | 1       | 1  |
| 8   | 501 27 08-01 | GUIDE BUSHING         |                                    | 1       | 1  |
| 9   | 525 88 74-02 | SCREW CITXPANT        |                                    | 1       | 1  |
| 10  | 537 01 37-01 | CHAIN GUIDE PLATE     | Up to serial number<br>20182009999 | 1       |    |
| 10  | 537 01 37-02 | CHAIN GUIDE PLATE     | From serial number<br>20182100001  | 1       | 1  |
| 11  | 503 26 03-01 | SEALING RING          |                                    | 1       |    |
| 12  | 586 44 54-01 | SCREW ITXSCM          |                                    | 1       |    |
| 13  | 503 62 72-01 | GASKET                |                                    | 1       |    |
| 14  | 503 85 73-01 | COVER                 |                                    | 1       |    |
| 15  | 505 27 57-19 | SEALING RING          |                                    | 1       |    |
| 16  | 503 62 84-01 | AIR NOZZLE            |                                    | 1       |    |
| 17  | 525 75 52-01 | SCREW ITXSCFM         |                                    | 1       |    |
| 18  | 503 84 61-01 | BUFFER                |                                    | 1       |    |
| 19  | 575 79 12-02 | SCREW ITXSCM          |                                    | 1       |    |
| 20  | 525 82 49-13 | SCREW ITXSCM          |                                    | 1       |    |
| 21  | 501 68 68-01 | CHAIN CATCHER         |                                    | 1       |    |
| 22  | 537 04 29-01 | BUMPER                |                                    | 1       |    |
| 23  | 575 79 35-01 | SCREW ITXPANM         |                                    | 1       |    |
| 24  | 525 75 51-03 | SCREW ITXSCFM         |                                    | 1       |    |
| 25  | 537 02 44-01 | WEAR PROTECTION       |                                    | 1       |    |
| 26  | 537 08 92-01 | CHAIN CATCHER         |                                    | 1       |    |
| 27  | 503 22 24-01 | LOCK NUT              |                                    | 1       |    |
| 28  | 537 01 71-01 | SPIKE                 |                                    | 1       |    |
| 29  | 503 64 79-02 | SPIKE                 |                                    | 1       |    |
| 30  | 537 21 52-07 | TANK CAP ASSY         |                                    | 1       |    |
| 31  | 503 57 89-01 | HOLDER                |                                    | 1       | 30 |
| 32  | 589 24 11-01 | GASKET                |                                    | 1       | 30 |
| 33  | 525 75 52-01 | SCREW ITXSCFM         |                                    | 4       |    |
| 34  | 588 09 37-01 | CARBURETTOR AREA BASE |                                    | 1       |    |
| 35  | 503 73 44-01 | GROMMET               |                                    | 1       |    |
| 36  | 515 98 22-01 | CHOKE                 |                                    | 1       |    |
| 37  | 579 46 89-01 | SUPPORT               |                                    | 1       |    |
| 38  | 537 09 54-01 | GROMMET               |                                    | 1       |    |

**N** 365 X-TORQ  
CRANK SHAFT



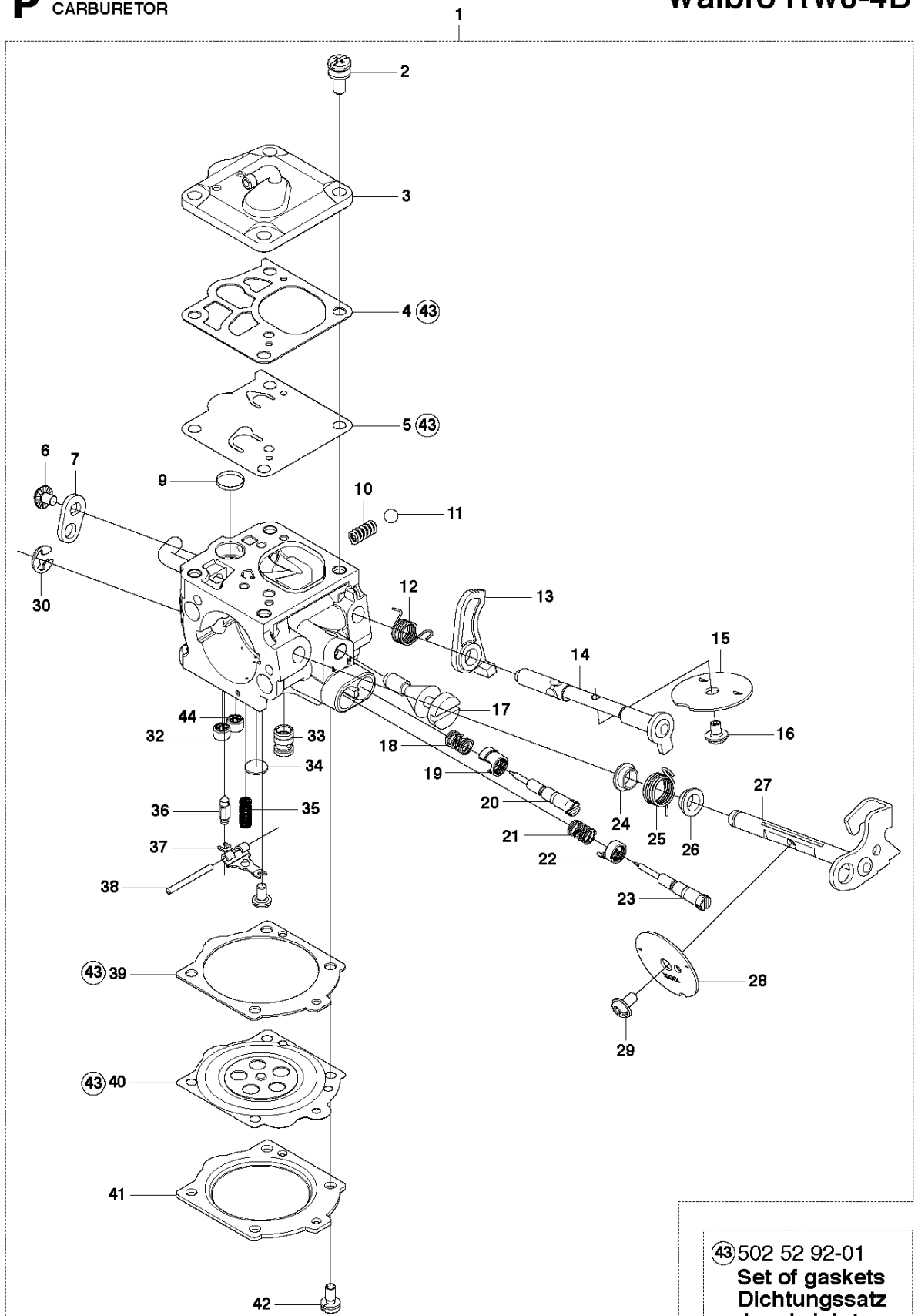
## CRANKSHAFT

365 X-TORQ

| Ref | Part No      | Description     | Remark | QTY KIT |   |
|-----|--------------|-----------------|--------|---------|---|
| 1   | 503 74 87-05 | CRANKSHAFT ASSY |        | 1       |   |
| 2   | 586 79 84-01 | CLUTCH ASSY     |        | 1       | 1 |
| 3   | 503 77 91-01 | SLEEVE          |        | 1       | 1 |
| 4   | 503 26 30-19 | O-RING          |        | 1       | 1 |
| 5   | 585 97 50-01 | BALL BEARING    |        | 1       | 1 |
| 6   | 577 57 24-01 | NEEDLE BEARING  |        | 1       | 1 |
| 7   | 585 97 50-01 | BALL BEARING    |        | 1       | 1 |

**P** 365 X-TORQ  
CARBURETOR

**Walbro RWJ-4B**



④3 502 52 92-01  
**Set of gaskets**  
**Dichtungssatz**  
**Jeu de joints**  
**Juego de juntas**  
**Packningssatz**

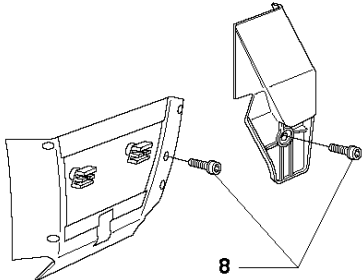
## CARBURETOR

365 X-TORQ

| Ref | Part No      | Description      | Remark                  | QTY | KIT   |
|-----|--------------|------------------|-------------------------|-----|-------|
| 1   | 581 10 07-01 | CARBURETTOR      | Walbro RWJ-4B           | 1   |       |
| 2   | 503 11 75-01 | SCREW            |                         | 1   | 1     |
| 3   | 522 92 35-01 | PUMP COVER       |                         | 1   | 1     |
| 4   | 503 11 72-01 | GASKET           |                         | 1   | 1, 43 |
| 5   | 544 89 72-01 | DIAPHRAGM PUMP   |                         | 1   | 1, 43 |
| 6   | 501 46 87-01 | SCREW            |                         | 1   | 1     |
| 7   | 504 79 07-01 | LEVER            |                         | 1   | 1     |
| 9   | 501 66 61-01 | SCREEN           |                         | 1   | 1     |
| 10  | 503 11 77-01 | SPRING           |                         | 1   | 1     |
| 11  | 503 11 71-01 | BALL             |                         | 1   | 1     |
| 12  | 504 79 15-01 | SPRING           |                         | 1   | 1     |
| 13  | 537 40 92-01 | LEVER            |                         | 1   | 1     |
| 14  | 504 79 05-01 | SHAFT ASSY       |                         | 1   | 1     |
| 15  | 544 89 68-01 | VALVE            |                         | 1   | 1     |
| 16  | 537 00 34-01 | SCREW            |                         | 1   | 1     |
| 17  | 504 79 11-01 | SCREW            | s/n up to - 20131800192 | 1   | 1     |
| 17  | 585 18 67-01 | IDLE SPEED SCREW | s/n from 20131800193 -  | 1   | 1     |
| 18  | 544 97 10-01 | SPRING           |                         | 1   | 1     |
| 19  | 544 97 08-01 | LIMITER CAP      |                         | 1   | 1     |
| 20  | 522 92 39-01 | NEEDLE           |                         | 1   | 1     |
| 21  | 544 97 10-01 | SPRING           |                         | 1   | 1     |
| 22  | 544 97 08-01 | LIMITER CAP      |                         | 1   | 1     |
| 23  | 544 97 13-01 | NEEDLE           |                         | 1   | 1     |
| 24  | 502 10 31-01 | BUSHING          |                         | 1   | 1     |
| 25  | 504 79 14-01 | SPRING           | s/n up to - 20131800192 | 1   | 1     |
| 25  | 576 13 82-01 | SPRING           | s/n from 20131800193 -  | 1   | 1     |
| 26  | 502 10 31-01 | BUSHING          |                         | 1   | 1     |
| 27  | 522 92 37-01 | SHAFT ASSY       |                         | 1   | 1     |
| 28  | 522 92 38-01 | VALVE            | s/n up to - 20131800192 | 1   | 1     |
| 28  | 577 65 79-01 | VALVE            | s/n from 20131800193 -  | 1   | 1     |
| 29  | 537 00 34-01 | SCREW            |                         | 1   | 1     |
| 30  | 505 31 67-36 | RING             |                         | 1   | 1     |
| 32  | 522 92 41-01 | CHECK VALVE      | s/n up to - 20131800192 | 1   | 1     |
| 32  | 580 64 23-01 | CHECK VALVE      | s/n from 20131800193 -  | 1   | 1     |
| 33  | 503 78 61-01 | NOZZLE ASSY      | s/n up to - 20131800192 | 1   | 1     |
| 33  | 577 69 98-01 | MAIN NOZZLE      | s/n from 20131800193 -  | 1   | 1     |
| 34  | 504 79 08-01 | PLUG             |                         | 1   | 1     |
| 35  | 504 79 12-01 | SPRING           |                         | 1   | 1     |
| 36  | 503 56 34-01 | NEEDLE VALVE     |                         | 1   | 1     |
| 37  | 505 31 67-34 | LEVER            |                         | 1   | 1     |
| 38  | 505 31 67-31 | PIN              |                         | 1   | 1     |
| 39  | 501 46 75-01 | GASKET           |                         | 1   | 1, 43 |
| 40  | 503 63 48-01 | SPRING           | s/n up to - 20131800192 | 1   | 1, 43 |
| 40  | 503 63 58-01 | DIAPHRAGM ASSY   | s/n from 20131800193 -  | 1   | 1, 43 |
| 41  | 505 31 67-02 | COVER            |                         | 1   | 1     |
| 42  | 503 10 87-01 | SCREW            |                         | 1   | 1     |
| 43  | 502 52 92-01 | GASKET KIT       | Set of gaskets          | 1   |       |
| 44  | 577 69 97-01 | CHECK VALVE      |                         | 1   | 1     |

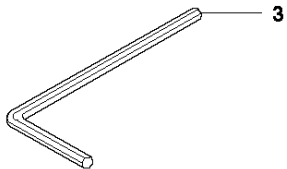
**Q** 365 X-TORQ  
Accessories  
Zubehöre  
Accessories  
Accesorios  
Tillbehör

WINTER

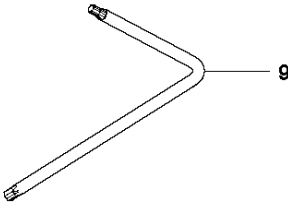


7

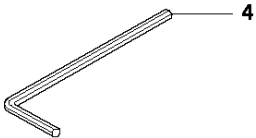
1



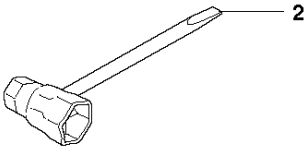
3



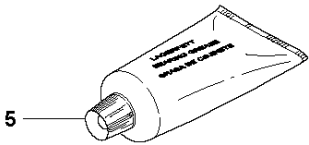
9



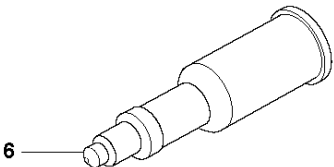
4



2



5



6

## ACCESSORIES

365 X-TORQ

| Ref | Part No      | Description        | Remark       | QTY | KIT |
|-----|--------------|--------------------|--------------|-----|-----|
| 1   | 588 79 74-01 | TOOL               |              | 1   |     |
| 2   | 501 69 17-01 | COMBINATION WRENCH |              | 1   | 1   |
| 3   | 503 55 86-02 | SPANNER            | NV5          | 1   | 1   |
| 4   | 503 55 86-01 | SPANNER            | NV4          | 1   | 1   |
| 5   | 503 62 12-01 | GREASE             |              | 1   |     |
| 6   | 501 91 14-01 | GREASE GUN         |              | 1   |     |
| 7   | 503 96 90-11 | WINTER KIT         | WINTER       | 1   |     |
| 8   | 586 50 52-01 | SCREW CITXPANT     |              | 1   | 7   |
| 9   | 575 88 07-01 | WRENCH             | TORX T27/T20 | 1   | 1   |