



# SPARE PARTS LIST

## CHAIN SAWS

385 XP, 20064000001-Current

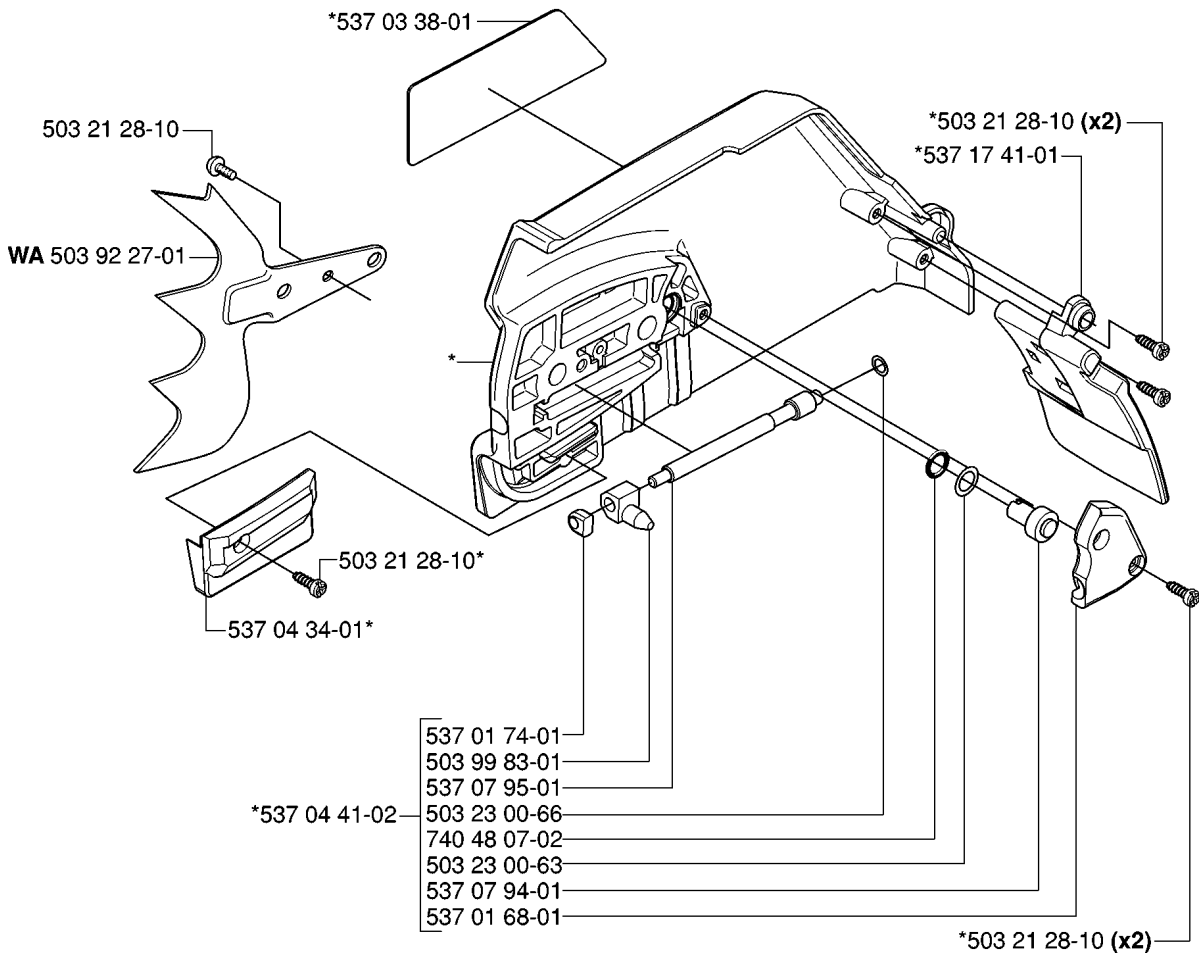


## CHAIN BRAKE &amp; CLUTCH COVER

385 XP, 20064000001-Current

Part No	Description	Remark	QTY KIT
501 87 53-04	KNEE JOINT		1
503 20 02-12	SCREW IHSCFM		4
503 20 25-12	SCREW IHSCM		1
503 21 28-10	SCREW CCRPANT		1
503 21 28-10	SCREW CCRPANT		1
503 21 28-10	SCREW CCRPANT		1
503 21 28-10	SCREW CCRPANT		1
503 21 28-10	SCREW CCRPANT		2
503 22 00-01	HEXAGON NUT		2
503 23 00-63	WASHER		1
503 23 00-66	WASHER		1
503 43 65-01	POSITION SPRING		1
503 70 99-01	BRAKE SPRING		1
503 71 97-01	SPIKE		1
503 75 11-03	HUB CAP		1
503 75 22-02	BRAKE BAND ASSY		1
503 76 29-02	CHIP GUARD		1
503 77 52-01	BUSHING		1
503 79 27-01	SUPPORT		1
503 83 81-02	LOCK		1
503 89 70-01	SLEEVE		1
503 99 83-01	PAWL		1
537 00 87-01	BRAKE LEVER		1
537 01 67-01	WEAR PROTECTION		1
537 01 68-01	COVER		1
537 01 69-01	HAND GUARD		1
537 01 74-01	BEARING SLEEVE		1
537 03 35-02	CLUTCH COVER ASSY		1
537 03 35-72	CLUTCH COVER ASSY		1
537 03 38-03	LABEL		1
537 04 34-01	CHAIN GUIDE		1
537 04 41-02	CHAIN TENSIONER		1
537 07 94-01	WORM WHEEL		1
537 07 95-01	WORM SCREW		1
740 48 07-02	O-RING		1

**A** \*compl 537 33 10-01 WA



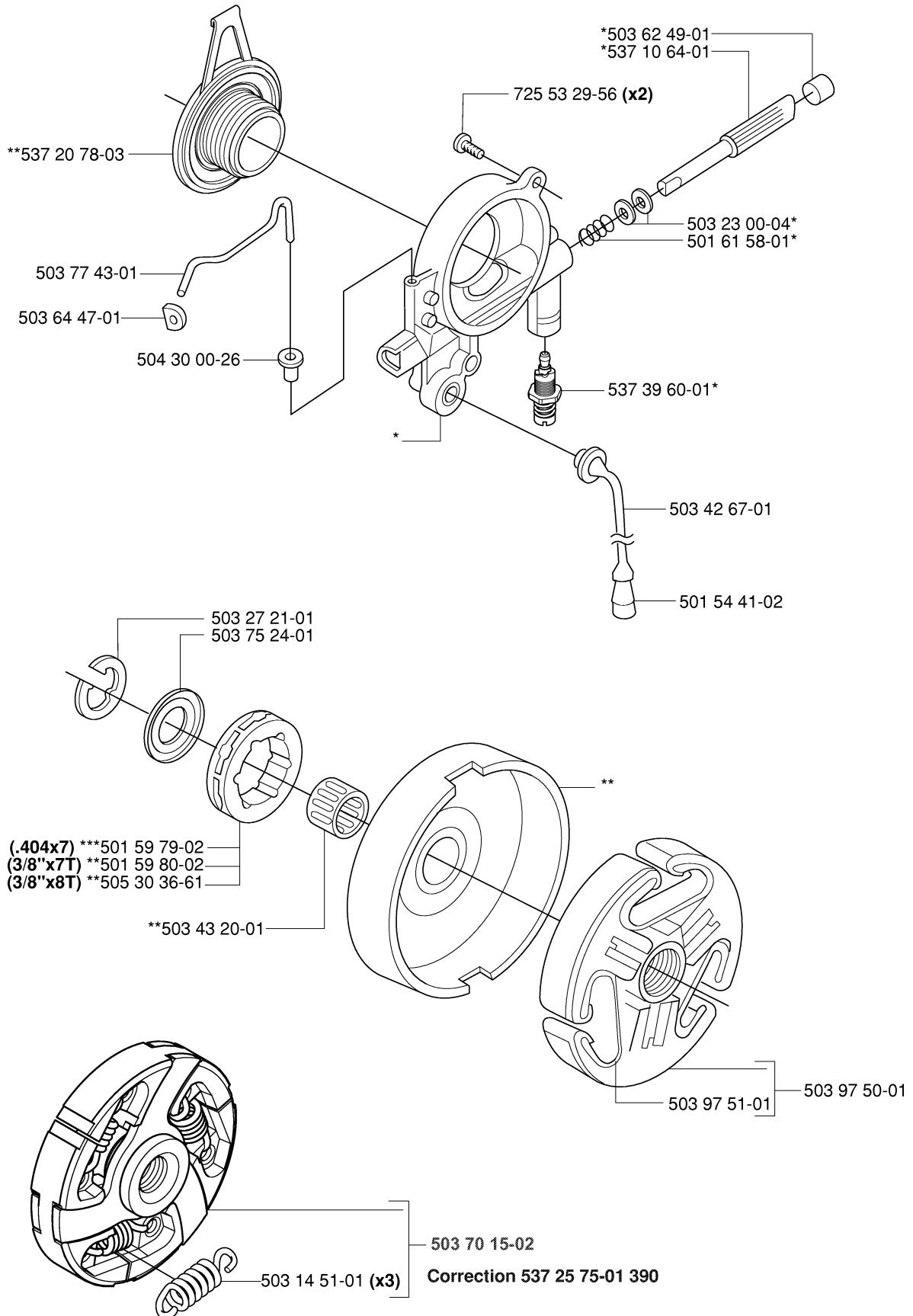
## CLUTCH COVER

385 XP, 20064000001-Current

Part No	Description	Remark	QTY KIT
503 21 28-10	SCREW CCRPANT		2
503 21 28-10	SCREW CCRPANT		1
503 21 28-10	SCREW CCRPANT		2
503 21 28-10	SCREW CCRPANT		1
503 23 00-63	WASHER		1
503 23 00-66	WASHER		1
503 92 27-01	SPIKE		1
503 99 83-01	PAWL		1
537 01 68-01	COVER		1
537 01 74-01	BEARING SLEEVE		1
537 03 38-01	LABEL		1
537 04 34-01	CHAIN GUIDE		1
537 04 41-02	CHAIN TENSIONER		1
537 07 94-01	WORM WHEEL		1
537 07 95-01	WORM SCREW		1
537 17 41-01	CHIP GUARD		1
537 33 10-01	CLUTCH COVER ASSY		1
740 48 07-02	O-RING		1

**B** \*\*compl 537 13 79-71 (3/8"x7T)  
 \*\*compl 537 13 79-72 (3/8"x8T)  
 \*\*\*compl 537 13 79-02 (.404"x7T)

\*compl 503 52 13-05

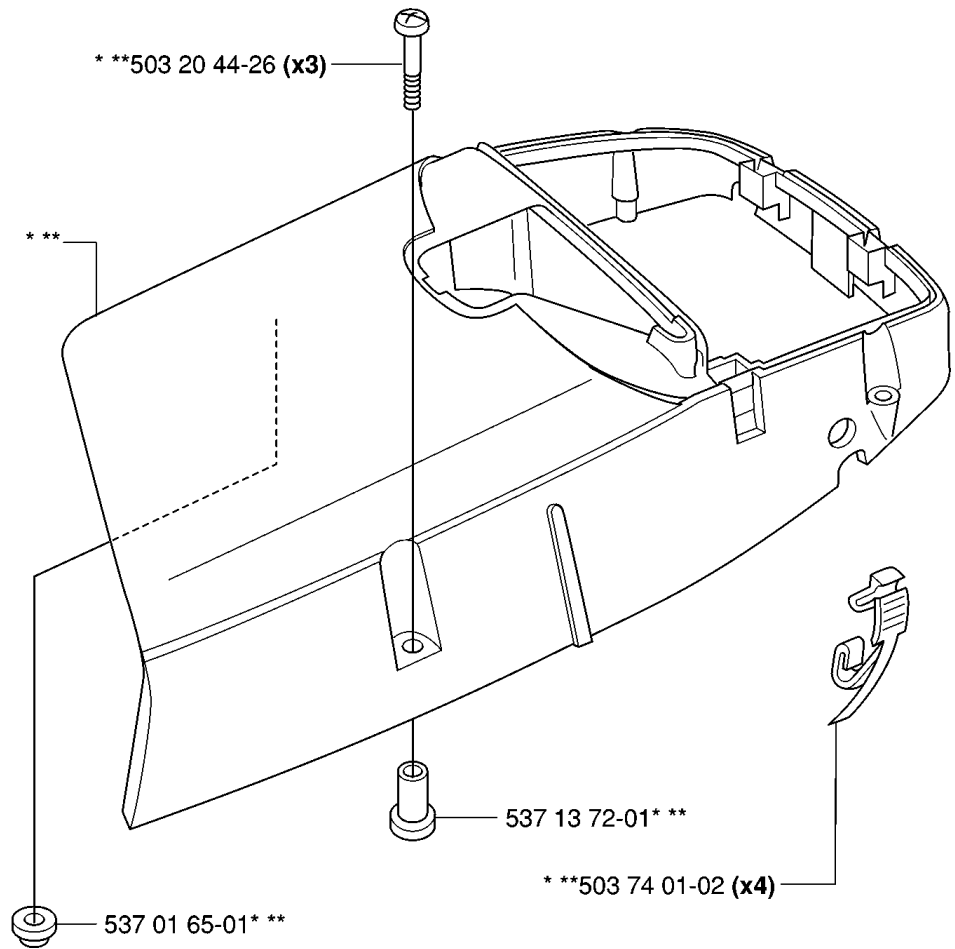
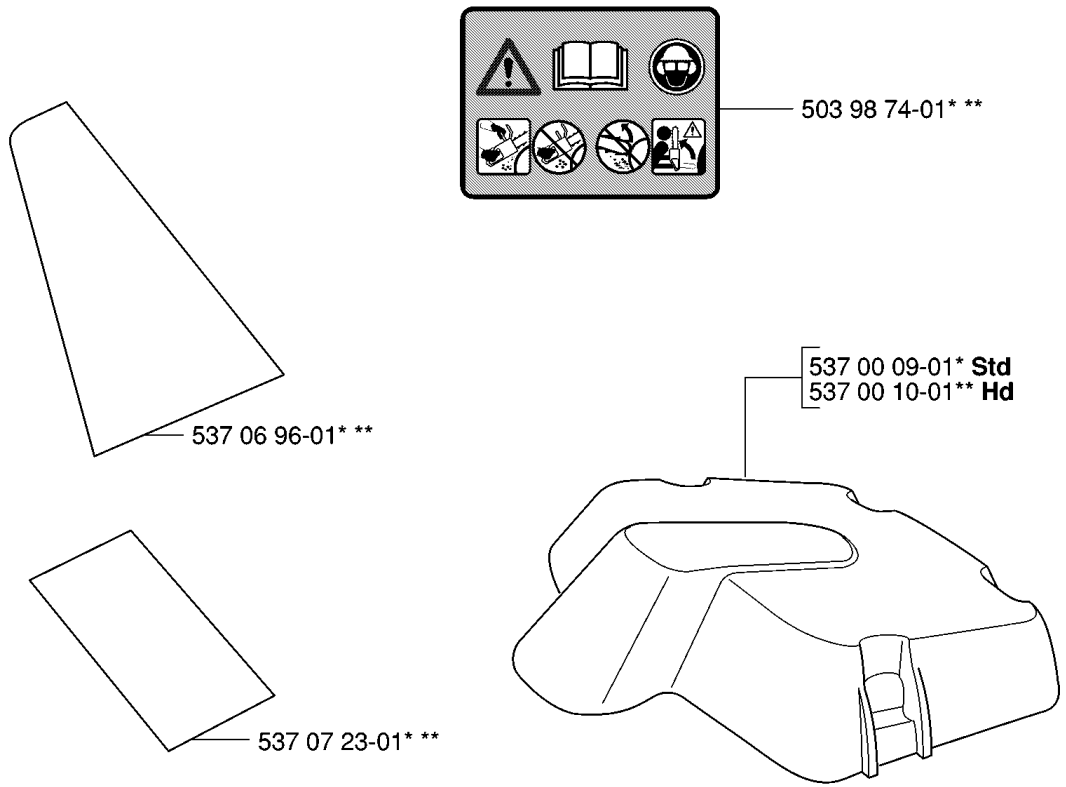


## CLUTCH &amp; OIL PUMP

385 XP, 20064000001-Current

Part No	Description	Remark	QTY KIT
501 54 41-02	OIL SCREEN		1
501 59 79-02	RIM		1
501 59 80-02	RIM		1
501 61 58-01	SPRING		1
503 14 51-01	CLUTCH SPRING		3
503 23 00-04	WASHER		1
503 27 21-01	E-CLIP		1
503 42 67-01	OIL HOSE		1
503 43 20-01	NEEDLE HOLDER		1
503 52 13-05	OIL PUMP ASSY		1
503 62 49-01	SEALING PLUG		1
503 64 47-01	BUSHING		1
503 70 15-02	CLUTCH ASSY		1
503 75 24-01	WASHER		1
503 77 43-01	OIL PIPE		1
503 97 50-01	CLUTCH ASSY		1
503 97 51-01	CLUTCH SPRING		1
504 30 00-26	SEALING		1
505 30 36-61	RIM		1
537 10 64-01	PUMP PISTON		1
537 13 79-02	CLUTCH DRUM		1
537 13 79-71	CLUTCH DRUM ASSY		1
537 13 79-72	CLUTCH DRUM ASSY		1
537 20 78-03	PUMP PINION		1
537 25 75-01	CLUTCH ASSY		1
537 39 60-01	INSERT		1
725 53 29-56	SCREW IHSCM		2

**C** \*compl 537 00 07-01 Std  
\*\*compl 537 00 07-02 Hd



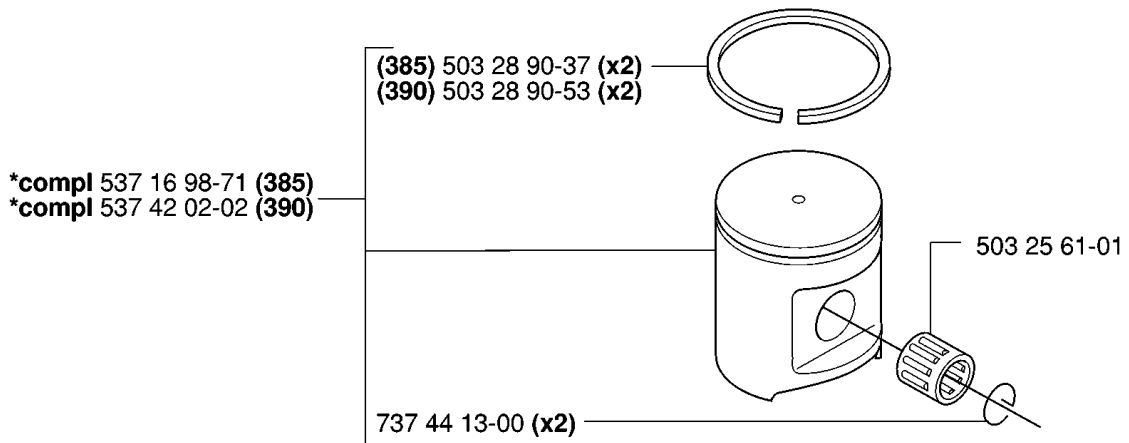
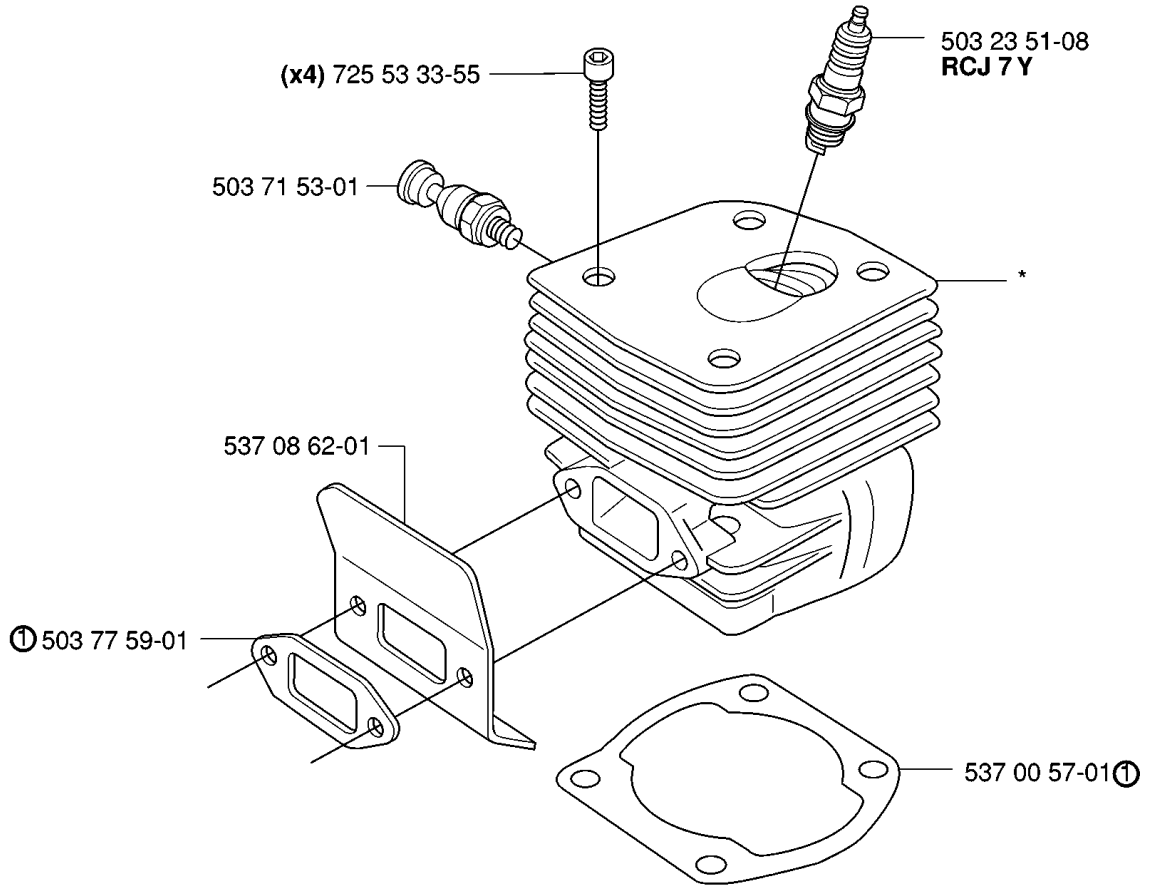


## CYLINDER COVER

385 XP, 20064000001-Current

Part No	Description	Remark	QTY KIT
503 20 44-26	SCREW		3
503 74 01-02	SNAP LOCKING		4
503 98 74-01	LABEL		1
537 00 07-01	CYLINDER COVER ASSY		1
537 00 07-02	CYLINDER COVER ASSY		1
537 00 09-01	FILTER COVER		1
537 00 10-01	FILTER COVER		1
537 01 65-01	SUPPORT		1
537 06 96-01	HEAT PROTECTOR		1
537 07 23-01	HEAT PROTECTOR		1
537 13 72-01	SLEEVE		1

**D** \*compl 537 16 97-71 (385)  
\*compl 544 00 65-02 (390)

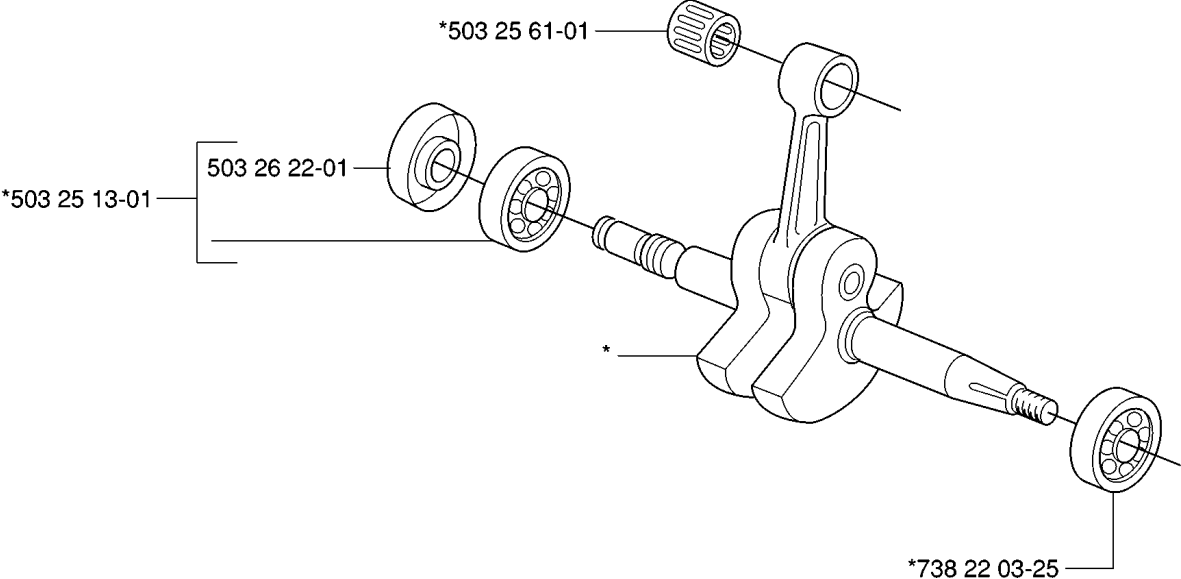


## CYLINDER PISTON

385 XP, 20064000001-Current

Part No	Description	Remark	QTY KIT
503 23 51-08	SPARK PLUG		1
503 25 61-01	NEEDLE BEARING		1
503 28 90-37	PISTON RING		2
503 28 90-53	PISTON RING		2
503 71 53-01	DECOMPRESSION VALVE		1
503 77 59-01	GASKET		1
537 00 57-01	GASKET		1
537 08 62-01	HEAT DEFLECTOR		1
537 16 97-71	CYLINDER ASSY		1
537 16 98-71	PISTON ASSY		1
537 42 02-02	PISTON ASSY		1
544 00 65-02	CYLINDER ASSY		1
725 53 33-55	SCREW IHSCM		4
737 44 13-00	CIRCLIP		2

**E** \*compl 503 99 34-04

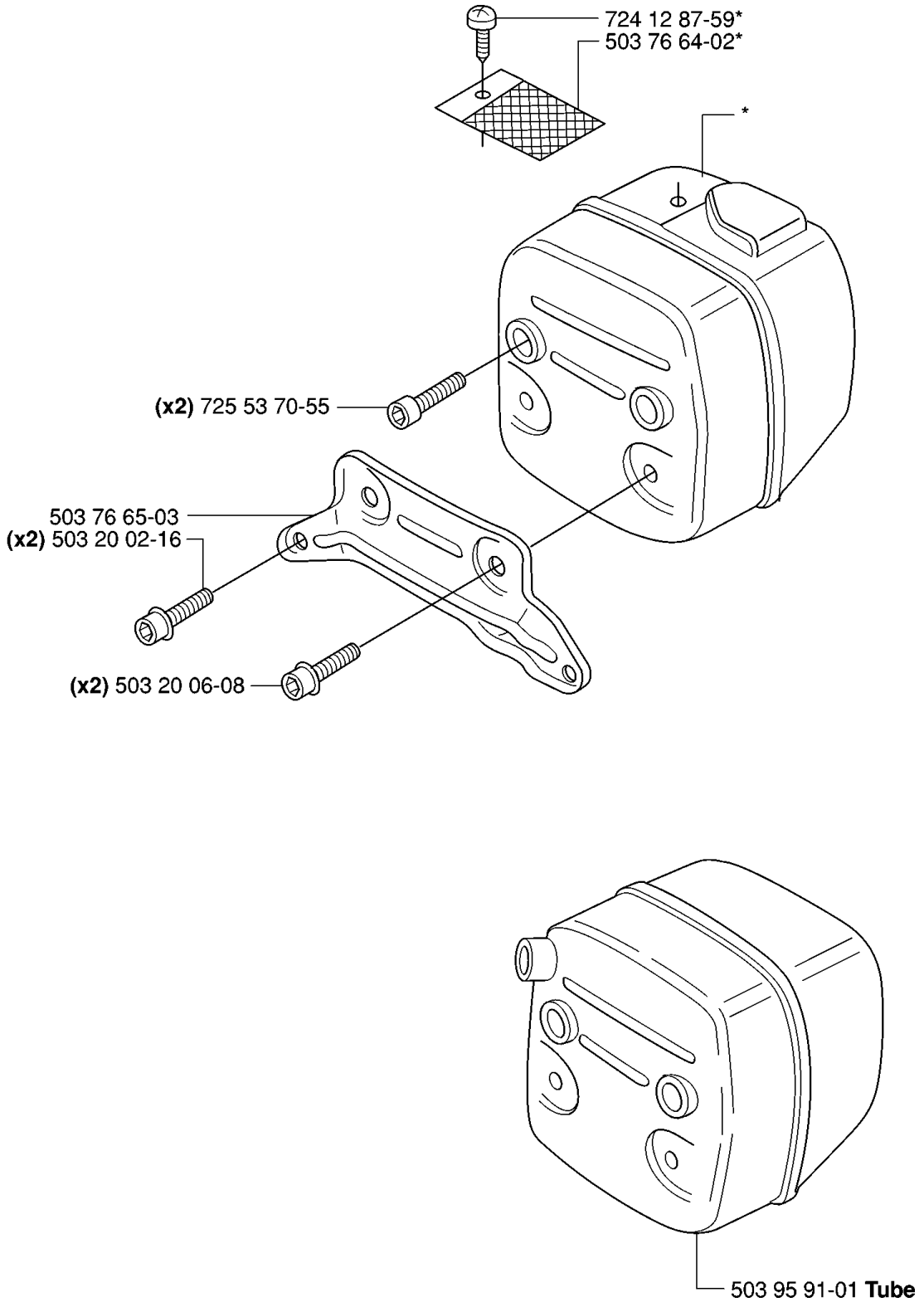


CRANKSHAFT

385 XP, 20064000001-Current

Part No	Description	Remark	QTY KIT
503 25 13-01	BALL BEARING		1
503 25 61-01	NEEDLE BEARING		1
503 26 22-01	SEALING RING		1
503 99 34-04	CRANKSHAFT		1
738 22 03-25	BALL BEARING		1

**F** compl 503 95 90-03 **Jungle**  
\*compl 503 95 90-04 **DF**

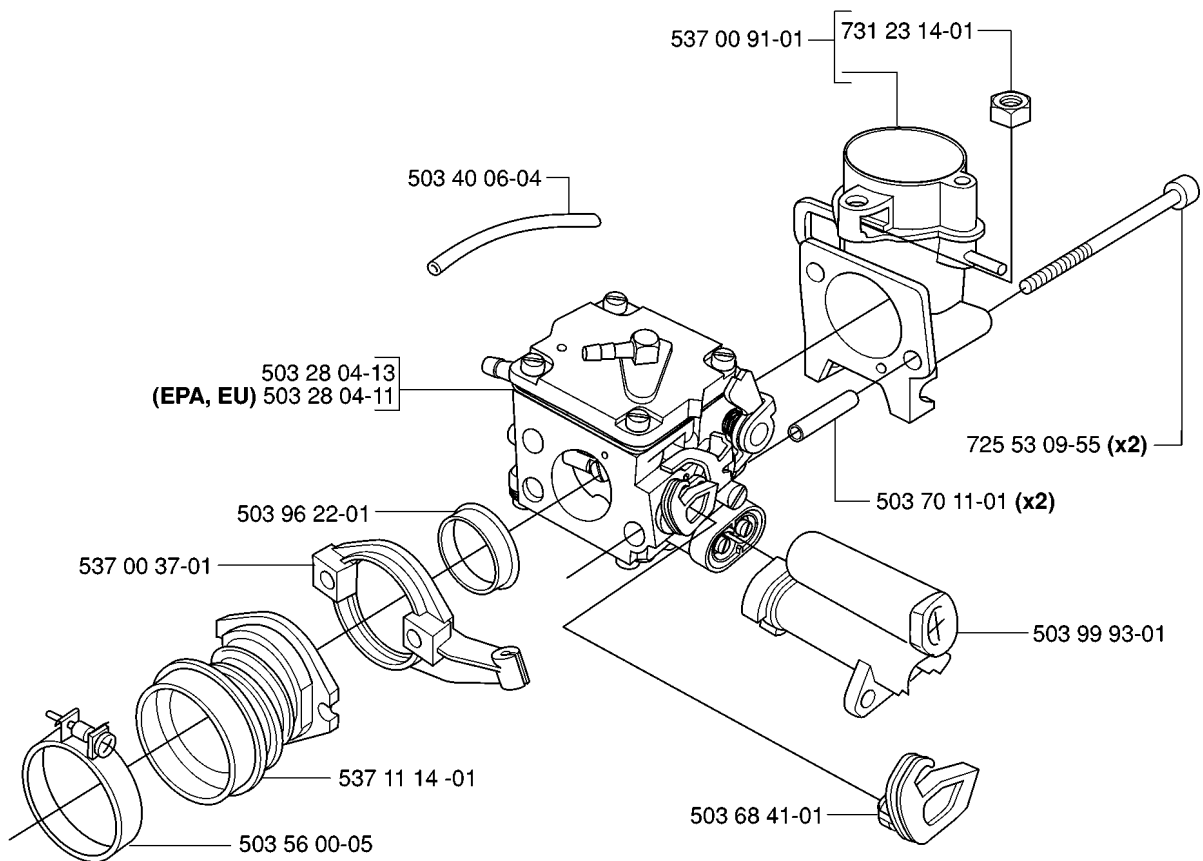
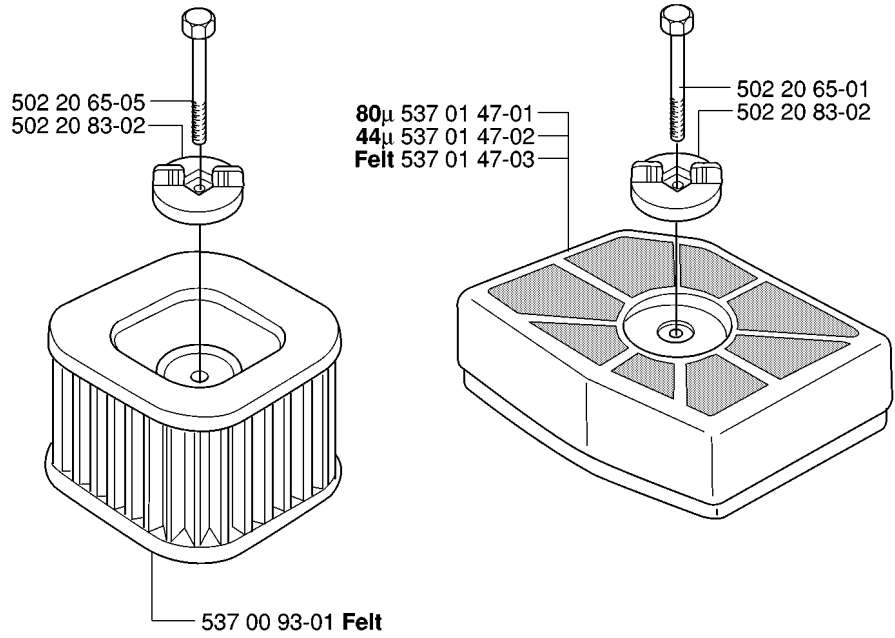


## MUFFLER

385 XP, 20064000001-Current

Part No	Description	Remark	QTY KIT
503 20 02-16	SCREW IHSCFM		2
503 20 06-08	SCREW IHSCFM		2
503 76 64-02	SPARK ARRESTER SCREEN		1
503 76 65-03	BRACKET		1
503 95 90-03	MUFFLER ASSY		1
503 95 90-04	MUFFLER ASSY		1
503 95 91-01	MUFFLER PIPE		1
724 12 87-59	SCREW CRPANM		1
725 53 70-55	SCREW IHSCM		2

**G**



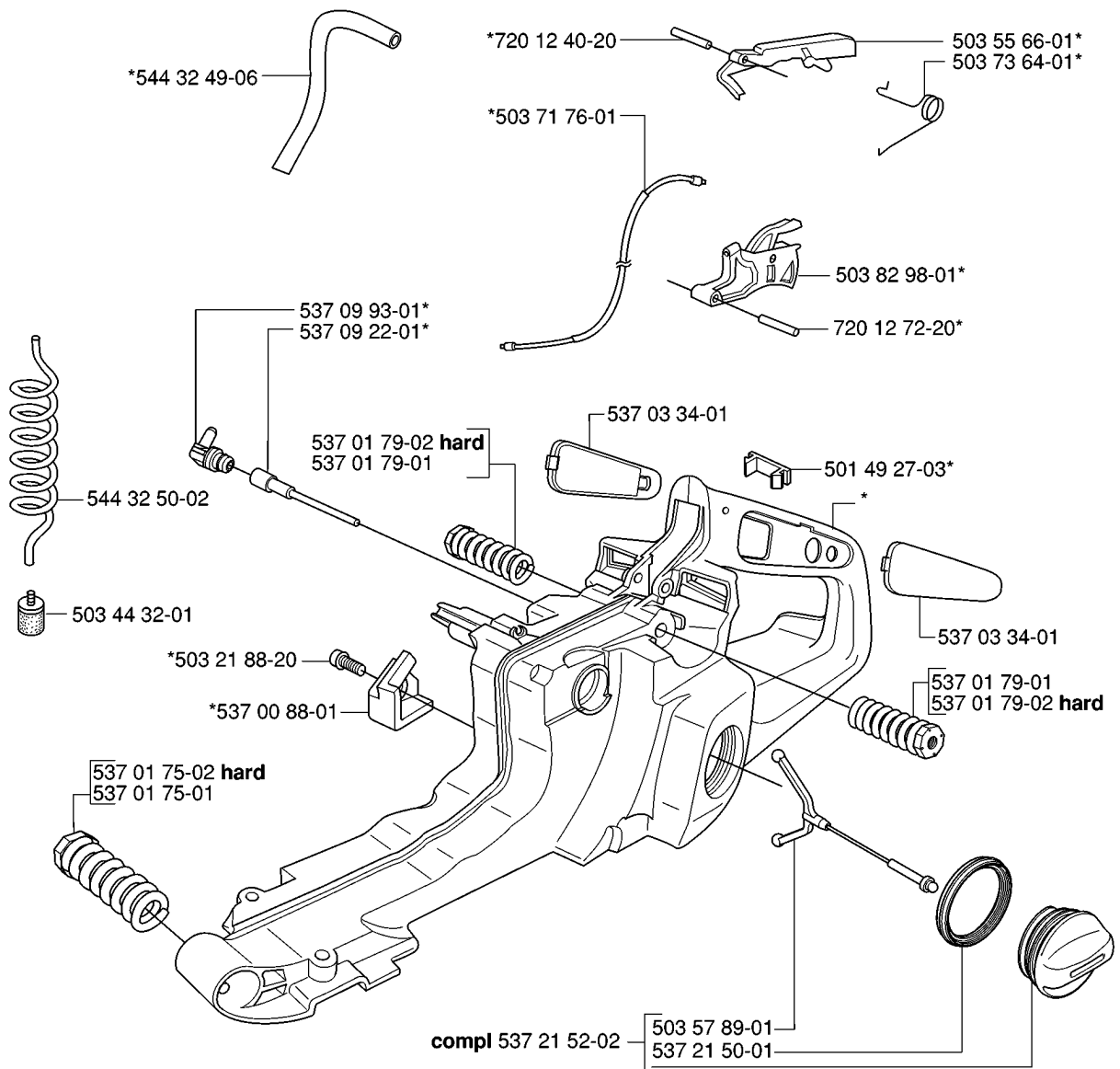


## CARBURETOR &amp; AIR FILTER

385 XP, 20064000001-Current

Part No	Description	Remark	QTY KIT
502 20 65-01	SCREW EHHM		1
502 20 65-05	SCREW EHHM		1
502 20 83-02	KNOB		1
502 20 83-02	KNOB		1
503 28 04-11	CARBURETTOR		1
503 28 04-13	CARBURETTOR		1
503 40 06-04	IMPULSE HOSE		1
503 56 00-05	HOSE CLAMP		1
503 68 41-01	LEVER		1
503 70 11-01	TUBE		2
503 96 22-01	SUPPORT SLEEVE		1
503 99 93-01	GUIDE BUSHING		1
537 00 37-01	FLANGE		1
537 00 91-01	FILTER HOLDER		1
537 00 93-01	AIR FILTER		1
537 01 47-01	AIR FILTER ASSY		1
537 01 47-02	AIR FILTER ASSY		1
537 01 47-03	AIR FILTER ASSY		1
537 11 14-01	INLET PIPE		1
725 53 09-55	SCREW IHSCM		2
731 23 14-01	HEXAGON NUT		1

**H** \*compl 537 00 03-71



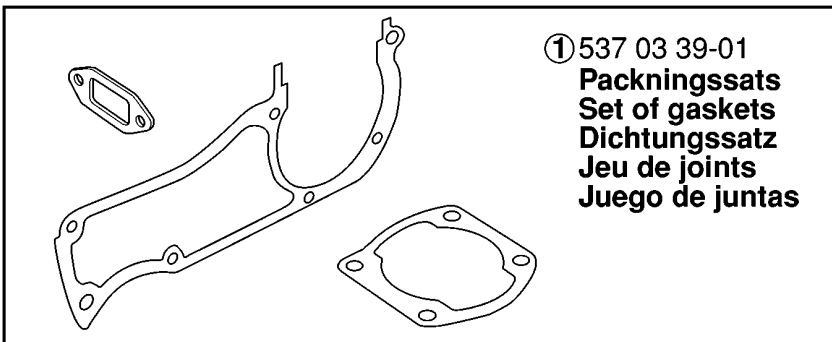
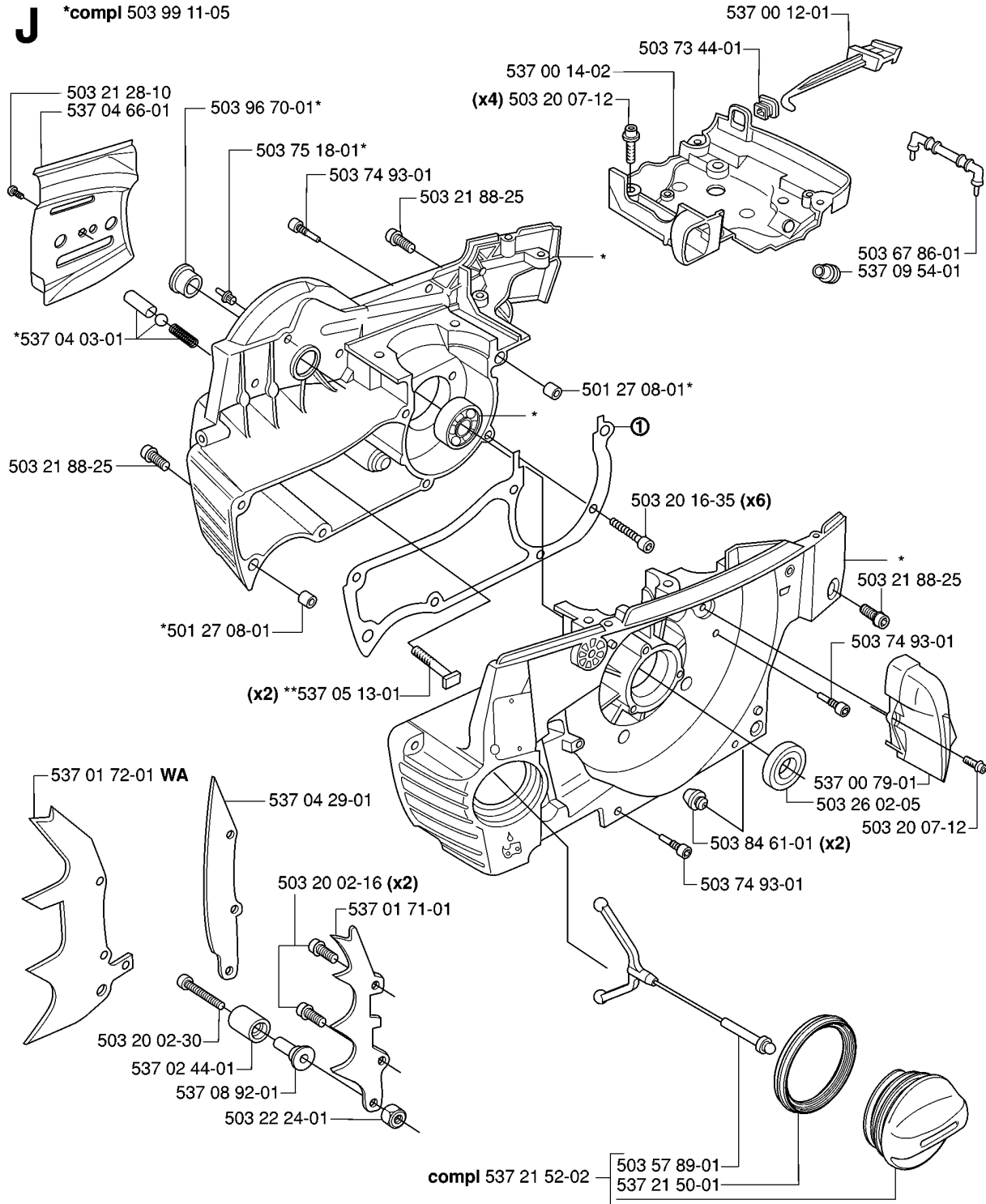
## FUEL TANK

385 XP, 20064000001-Current

Part No	Description	Remark	QTY KIT
501 49 27-03	COVER		1
503 21 88-20	SCREW IHSCT		1
503 44 32-01	FUEL FILTER		1
503 55 66-01	THROTTLE LOCKOUT		1
503 57 89-01	HOLDER		1
503 71 76-01	THROTTLE CABLE ASSY		1
503 73 64-01	SPRING		1
503 82 98-01	TRIGGER		1
537 00 03-71	FUEL TANK		1
537 00 88-01	COVER		1
537 01 75-01	INSULATOR		1
537 01 75-02	INSULATOR		1
537 01 79-01	INSULATOR		1
537 01 79-01	INSULATOR		1
537 01 79-02	INSULATOR		1
537 01 79-02	INSULATOR		1
537 03 34-01	HANDLE INSERT		1
537 03 34-01	HANDLE INSERT		1
537 09 22-01	TANK VENT ASSY		1
537 09 93-01	CONNECTION BEND		1
537 21 50-01	SEALING		1
537 21 52-02	TANK CAP ASSY		1
544 32 49-06	FUEL HOSE		1
544 32 50-02	FUEL HOSE		1
720 12 40-20	PARALLEL PIN		1
720 12 72-20	PARALLEL PIN		1

**J**

\*compl 503 99 11-05

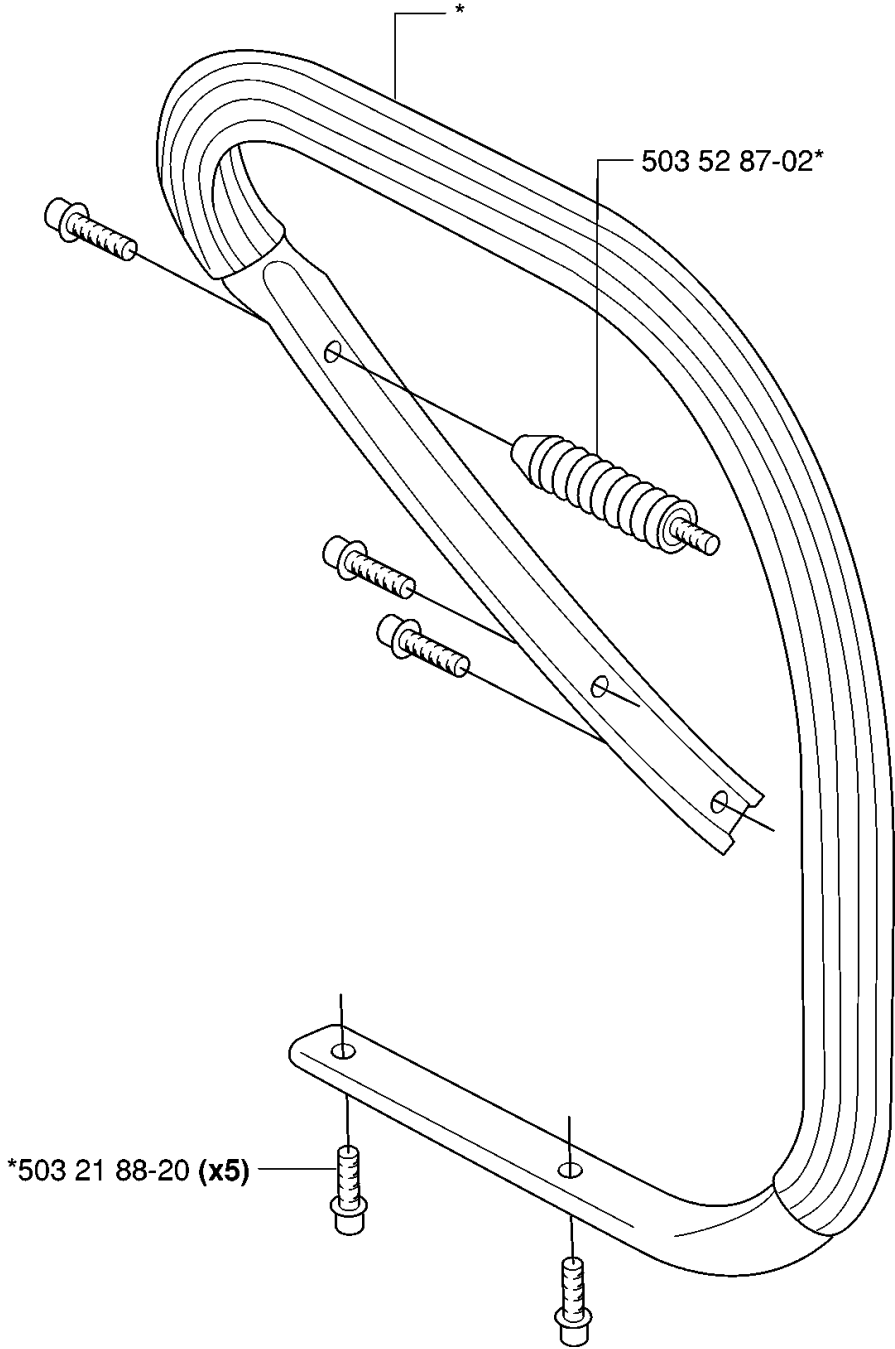


## CRANKCASE

385 XP, 20064000001-Current

Part No	Description	Remark	QTY KIT
501 27 08-01	GUIDE BUSHING		1
501 27 08-01	GUIDE BUSHING		1
503 20 02-16	SCREW IHSCFM		2
503 20 02-30	SCREW IHSCFM		1
503 20 07-12	SCREW IHSCFM		1
503 20 07-12	SCREW IHSCFM		4
503 20 16-35	SCREW IHSCFM		6
503 21 28-10	SCREW CCRPANT		1
503 21 88-25	SCREW IHSCFT		1
503 21 88-25	SCREW IHSCFT		1
503 21 88-25	SCREW IHSCFT		1
503 22 24-01	LOCK NUT		1
503 26 02-05	SEALING RING		1
503 57 89-01	HOLDER		1
503 67 86-01	STÖTTA FÖRGASARE		1
503 73 44-01	GROMMET		1
503 74 93-01	SCREW		1
503 74 93-01	SCREW		1
503 74 93-01	SCREW		1
503 75 18-01	PIN		1
503 84 61-01	BUFFER		2
503 96 70-01	BUSHING		1
503 99 11-05	CRANKCASE ASSY		1
537 00 12-01	CHOKE CONTROL		1
537 00 14-02	CARBURETTOR		1
537 00 79-01	AIR NOZZLE		1
537 01 71-01	SPIKE		1
537 01 72-01	SPIKE		1
537 02 44-01	WEAR PROTECTION		1
537 03 39-01	GASKET KIT		1
537 04 03-01	VALVE		1
537 04 29-01	BUMPER		1
537 04 66-01	KIT		1
537 05 13-01	BAR BOLT		2
537 08 92-01	CHAIN CATCHER		1
537 09 54-01	GROMMET		1
537 21 50-01	SEALING		1
537 21 52-02	TANK CAP ASSY		1

**K** \*compl 503 98 66-71  
\*compl 503 98 66-72 (G)

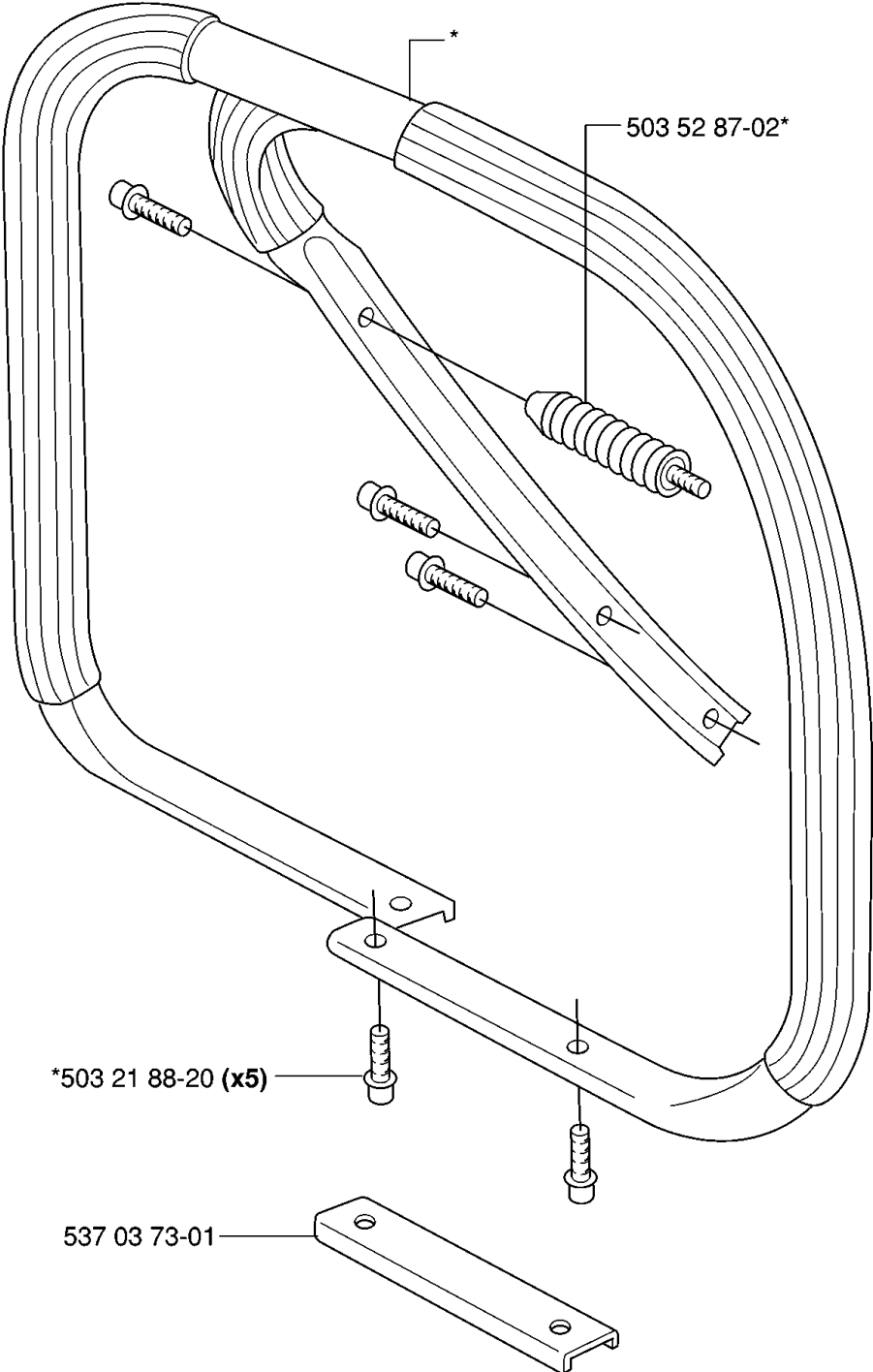


HANDLE

385 XP, 20064000001-Current

Part No	Description	Remark	QTY KIT
503 21 88-20	SCREW IHSCT		5
503 52 87-02	INSULATOR		1
503 98 66-71	FRONT HANDLE ASSY		1
503 98 66-72	FRONT HANDLE ASSY		1

**L** \*compl 503 98 67-71 WA  
\*compl 503 98 67-02 WA (G)



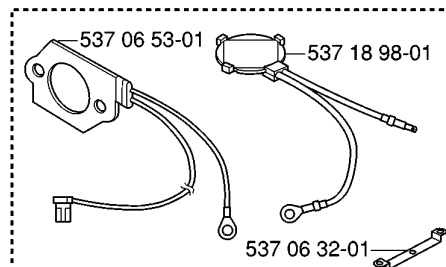
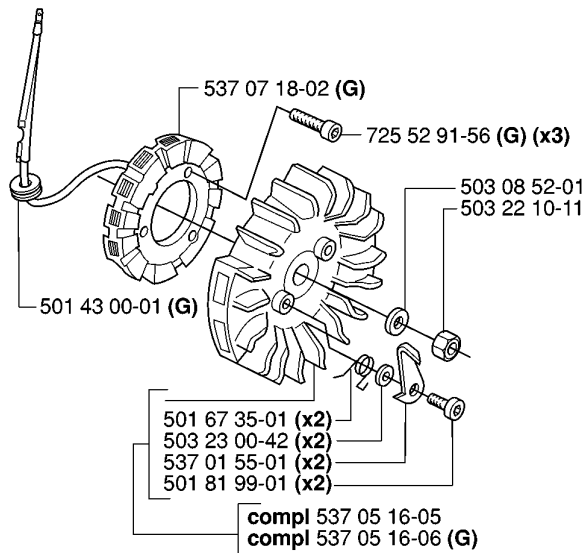
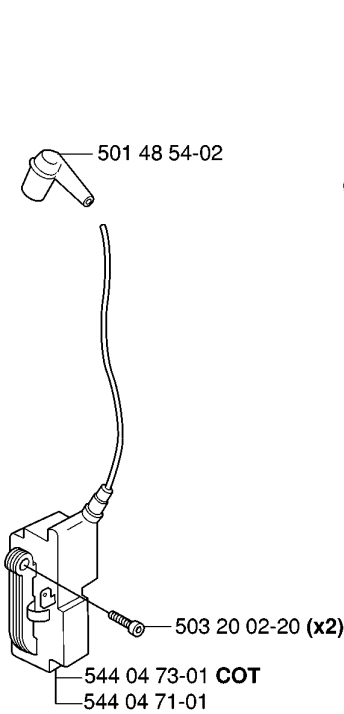
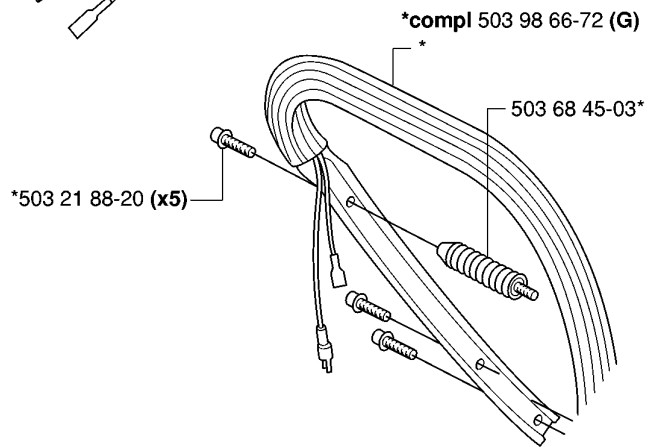
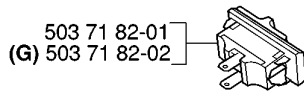
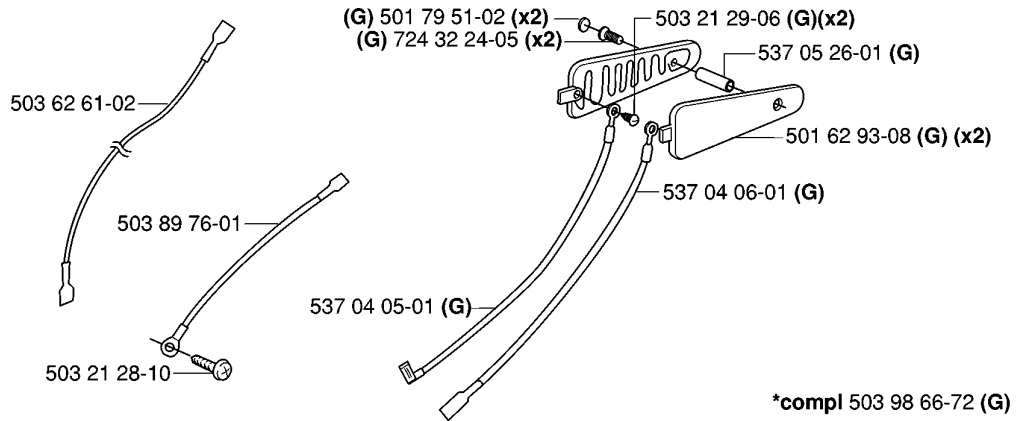


## HANDLE

385 XP, 20064000001-Current

Part No	Description	Remark	QTY KIT
503 21 88-20	SCREW IH SCT		5
503 52 87-02	INSULATOR		1
503 98 67-02	FRONT HANDLE ASSY		1
503 98 67-71	FRONT HANDLE ASSY		1
537 03 73-01	REINFORCING PLATE		1

# M

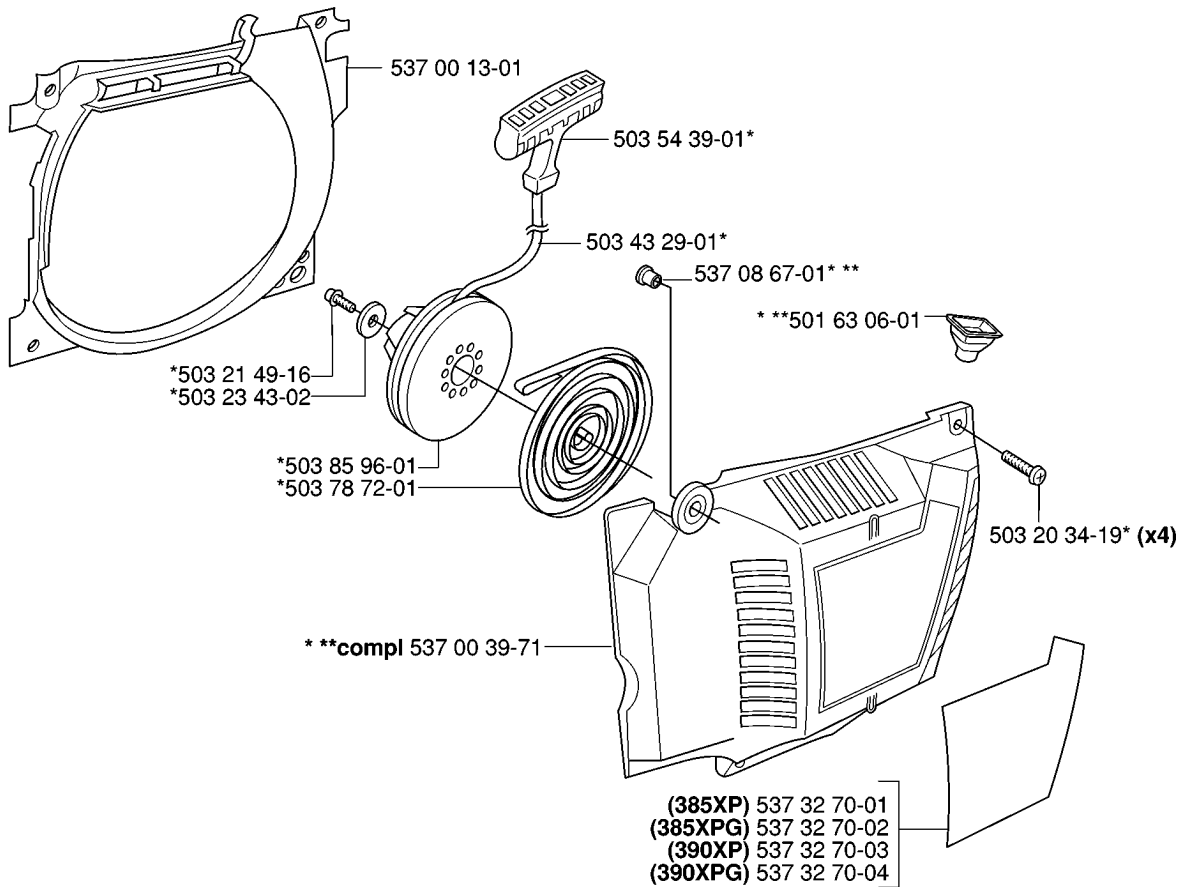


## HANDLES HEATED

385 XP, 20064000001-Current

Part No	Description	Remark	QTY KIT
501 43 00-01	CABLE GROMMET		1
501 48 54-02	SPARK PLUG CAP		1
501 62 93-08	HANDLE INSERT		2
501 67 35-01	SPRING		2
501 79 51-02	COVER WASHER		2
501 81 99-01	SCREW		2
503 08 52-01	WASHER		1
503 20 02-20	SCREW IHSCFM		2
503 21 28-10	SCREW CCRPANT		1
503 21 29-06	SCREW CCRPANT		2
503 21 88-20	SCREW IHSCT		5
503 22 10-11	HEXAGON NUT		1
503 23 00-42	WASHER		2
503 62 61-02	CABLE		1
503 68 45-03	ANTIVIBRATION ELEMENT		1
503 71 82-01	SWITCH		1
503 71 82-02	SWITCH		1
503 89 76-01	CABLE		1
503 98 66-72	FRONT HANDLE ASSY		1
537 01 55-01	STARTER PAWL		2
537 04 05-01	CABLE		1
537 04 06-01	CABLE		1
537 05 16-05	FLYWHEEL ASSY		1
537 05 16-06	FLYWHEEL ASSY		1
537 05 26-01	SPACER		1
537 06 32-01	RETAINER		1
537 06 53-01	FOIL ELEMENT		1
537 07 18-02	STATOR ASSY		1
537 18 98-01	THERMOSTAT ASSY		1
544 04 71-01	IGNITION MODULE		1
544 04 73-01	IGNITION MODULE		1
724 32 24-05	SCREW CRCSFM		2
725 52 91-56	SCREW IHSCM		3

**N** \*compl 537 00 38-71



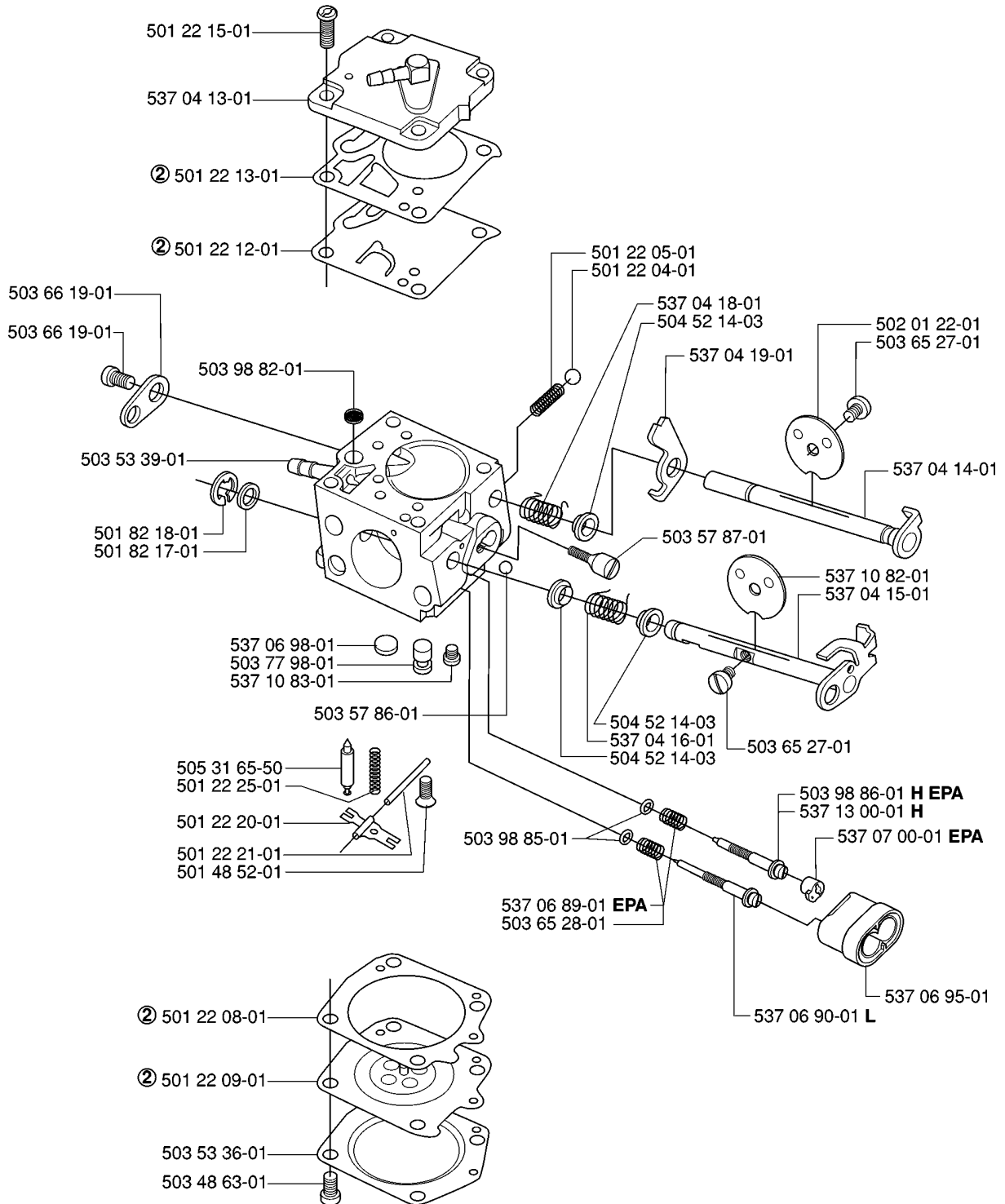
## STARTER

385 XP, 20064000001-Current

Part No	Description	Remark	QTY KIT
501 63 06-01	SLEEVE		1
503 20 34-19	SCREW CCRPANMO		4
503 21 49-16	SCREW IHSCFT		1
503 23 43-02	WASHER		1
503 43 29-01	STARTER CORD		1
503 54 39-01	STARTER HANDLE		1
503 78 72-01	RECOIL SPRING		1
503 85 96-01	STARTER PULLEY		1
537 00 13-01	AIR CONDUCTOR		1
537 00 38-71	STARTER ASSY		1
537 00 39-71	STARTER HOUSING		1
537 08 67-01	BUSHING		1
537 32 70-01	LABEL		1
537 32 70-02	LABEL		1
537 32 70-03	LABEL		1
537 32 70-04	LABEL		1

**P** compl 503 28 04-13  
 compl 503 28 04-11 EPA, EU

# Tilotson HS 299A Tilotson HS 296A EPA



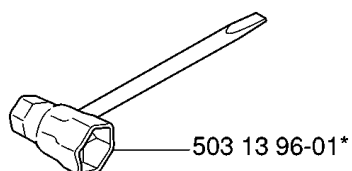
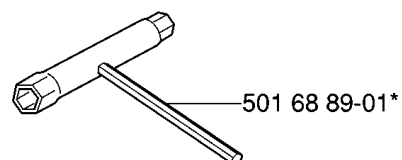
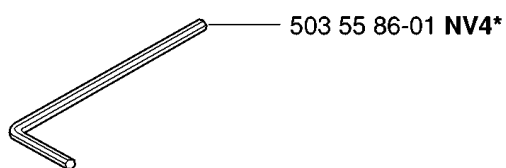
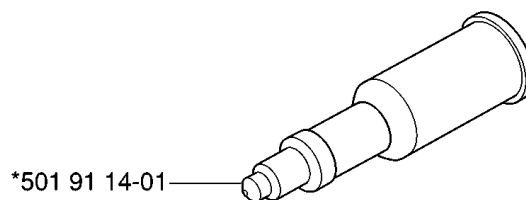
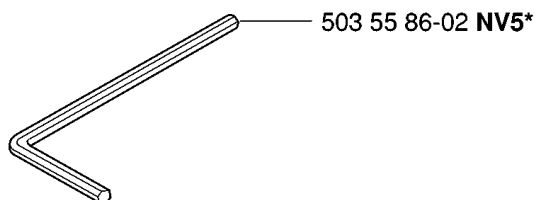
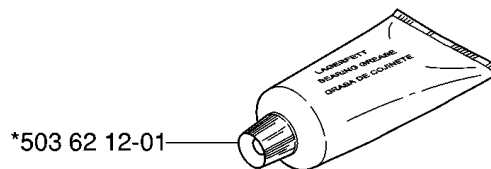
② 501 49 48-02  
**Packningssats**  
**Set of gaskets**  
**Dichtungssatz**  
**Jeu de joints**  
**Juego de juntas**

## CARBURETOR

385 XP, 20064000001-Current

Part No	Description	Remark	QTY KIT
501 22 04-01	BALL		1
501 22 05-01	SPRING		1
501 22 08-01	GASKET		1
501 22 09-01	DIAPHRAGM		1
501 22 12-01	DIAGRAM		1
501 22 13-01	GASKET		1
501 22 15-01	SCREW		1
501 22 20-01	LEVER		1
501 22 21-01	PIN		1
501 22 25-01	SPRING		1
501 48 52-01	SCREW		1
501 82 17-01	WASHER		1
501 82 18-01	THROTTLE SH."E"RING		1
502 01 22-01	VALVE		1
503 28 04-11	CARBURETTOR		1
503 28 04-13	CARBURETTOR		1
503 48 63-01	SCREW		1
503 53 36-01	DIAPHRAGM		1
503 53 39-01	TUBE CONNECTOR		1
503 57 86-01	BALL		1
503 57 87-01	IDLE SPEED SCREW		1
503 65 27-01	SCREW SHUTTER		1
503 65 27-01	SCREW SHUTTER		1
503 65 28-01	SPRING		1
503 66 19-01	CHOKE LEVER		1
503 66 19-01	CHOKE LEVER		1
503 77 98-01	CHECKVALVE ASSY		1
503 98 82-01	SCREEN		1
503 98 85-01	RING		1
503 98 86-01	NEEDLE		1
504 52 14-03	THRO.RETU.SPR.SLEEVE		1
504 52 14-03	THRO.RETU.SPR.SLEEVE		1
504 52 14-03	THRO.RETU.SPR.SLEEVE		1
505 31 65-50	NEEDLE		1
537 04 13-01	FUEL PUMP COVER		1
537 04 14-01	CHOKE LEVER		1
537 04 15-01	SHAFT ASSY		1
537 04 16-01	SPRING		1
537 04 18-01	SPRING		1
537 04 19-01	LEVER		1
537 06 89-01	SPRING		1
537 06 90-01	NEEDLE		1
537 06 95-01	MODULE		1
537 06 98-01	PLUG WELCH		1
537 07 00-01	LIMITER CAP		1
537 10 82-01	THROTTLE SHUTTER		1
537 10 83-01	JET		1
537 13 00-01	NEEDLE		1

**Q** Accessories  
Zubehöre  
Accessories  
Accesorios  
Tillbehör  
\*compl 503 55 85-02



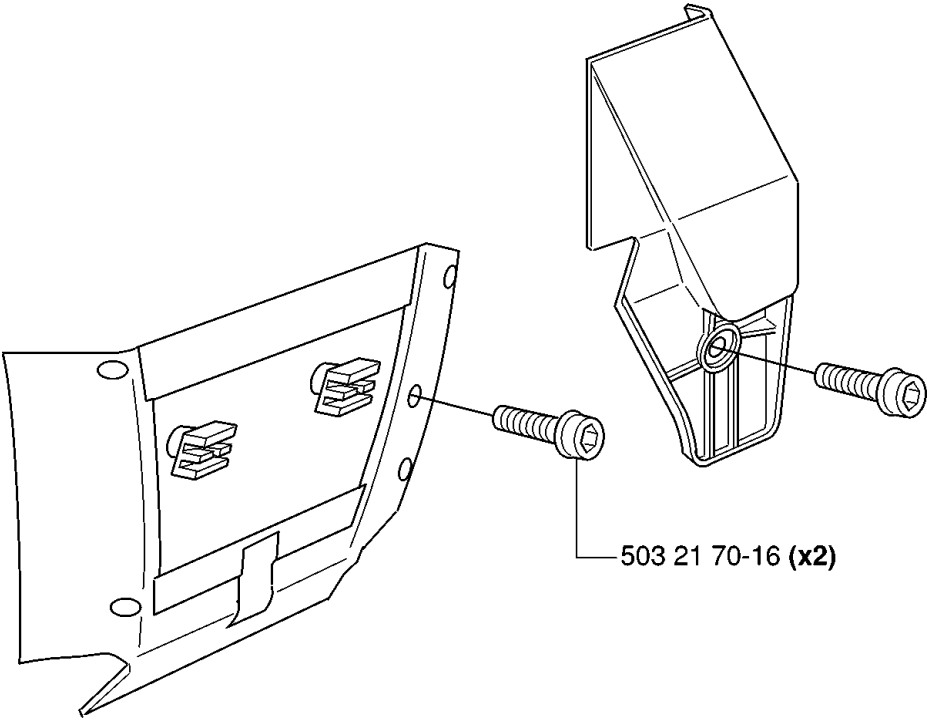


## ACCESSORIES

385 XP, 20064000001-Current

Part No	Description	Remark	QTY KIT
501 68 89-01	COMBINATION WRENCH		1
501 91 14-01	GREASE GUN		1
503 13 96-01	COMBINATION WRENCH		1
503 55 85-02	TOOL KIT		1
503 55 86-01	SPANNER		1
503 55 86-02	SPANNER		1
503 62 12-01	GREASE		1

**Q WINTER KIT**  
compl 537 04 38-01



## ACCESSORIES

385 XP, 20064000001-Current

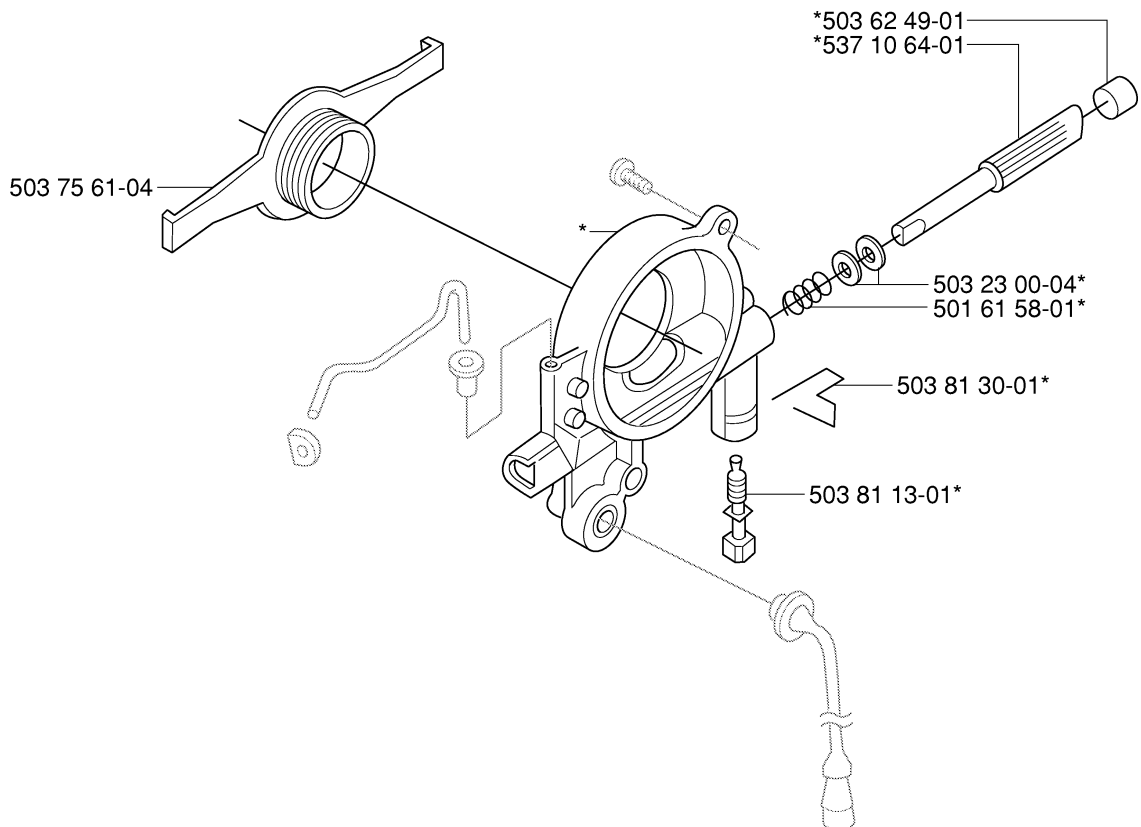
Part No	Description	Remark	QTY KIT
503 21 70-16	SCREW CCRPANT		2
537 04 38-01	WINTER KIT		1

**R**



compl 503 52 13-04

## Up to B0500045



## CLUTCH &amp; OIL PUMP

385 XP, 20064000001-Current

Part No	Description	Remark	QTY KIT
501 61 58-01	SPRING		1
503 23 00-04	WASHER		1
503 23 00-14	WASHER		1
503 52 13-04	OIL PUMP ASSY		1
503 62 49-01	SEALING PLUG		1
503 75 61-04	GEAR WHEEL		1
503 81 13-01	SCREW		1
503 81 30-01	SPRING		1
537 10 64-01	PUMP PISTON		1