

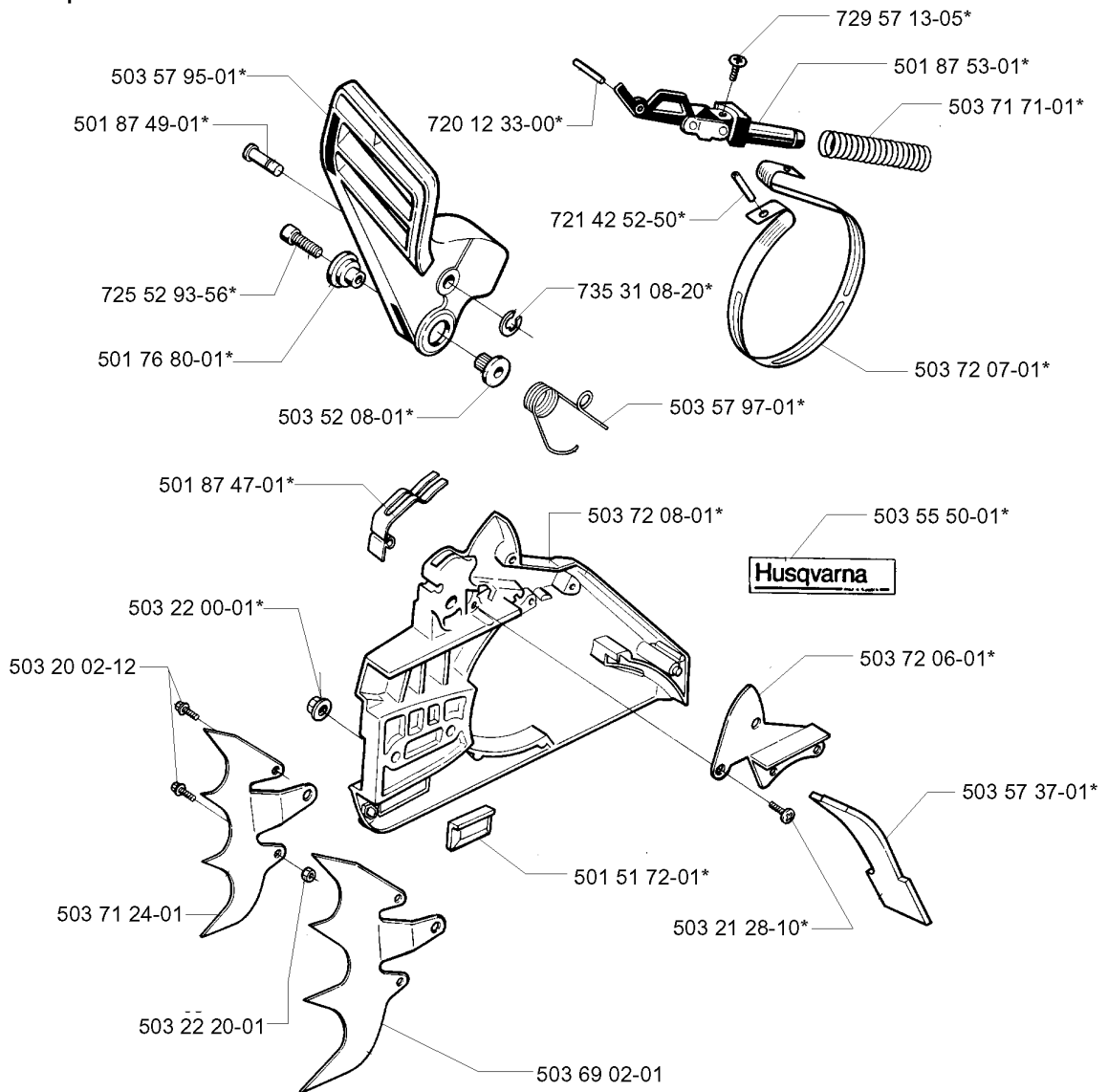


# SPARE PARTS LIST

## CHAIN SAWS

394 XP, 19980900001-Current

**A** \*compl 503 73 15-03

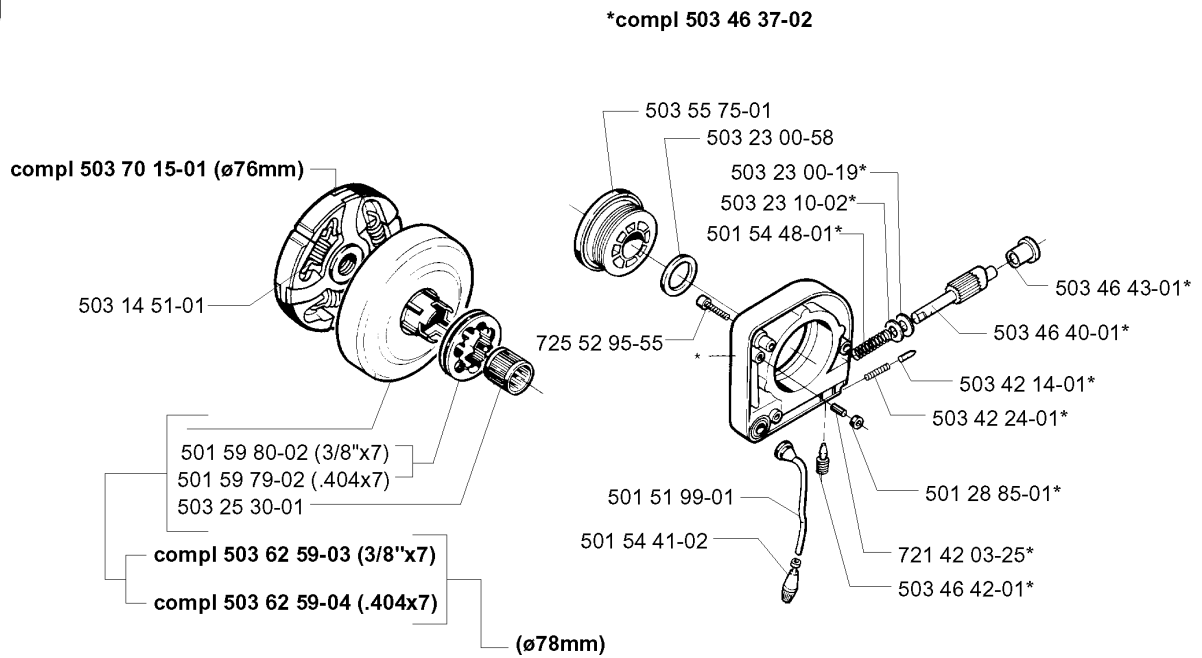


## CHAIN BRAKE

394 XP, 19980900001-Current

Part No	Description	Remark	QTY KIT
501 51 72-01	CHAIN GUIDE		1
501 76 80-01	SHAFT		1
501 87 47-01	SPRING		1
501 87 49-01	PIVOT PIN		1
501 87 53-01	KNEE JOINT ASSY		1
503 20 02-12	SCREW IHSCFM		1
503 21 28-10	SCREW CCRPANT		1
503 22 00-01	HEXAGON NUT		1
503 22 20-01	LOCK NUT		1
503 52 08-01	SHAFT		1
503 55 50-01	DECAL		1
503 57 37-01	CHIP GUARD		1
503 57 95-01	HAND GUARD ASSY		1
503 57 97-01	POSITION SPRING		1
503 69 02-01	SPIKE		1
503 71 24-01	SPIKE		1
503 71 71-01	BRAKE SPRING		1
503 72 06-01	LID		1
503 72 07-01	BRAKE BAND		1
503 72 08-01	CLUTCH COVER		1
503 73 15-03	CHAIN BRAKE ASSY		1
720 12 33-00	PARALLEL PIN		1
721 42 52-50	SPRING PIN		1
725 52 93-56	SCREW IHSCM		1
729 57 13-05	SCREW CRPANT		1
735 31 08-20	E-CLIP		1

**J**



## CLUTCH &amp; OIL PUMP

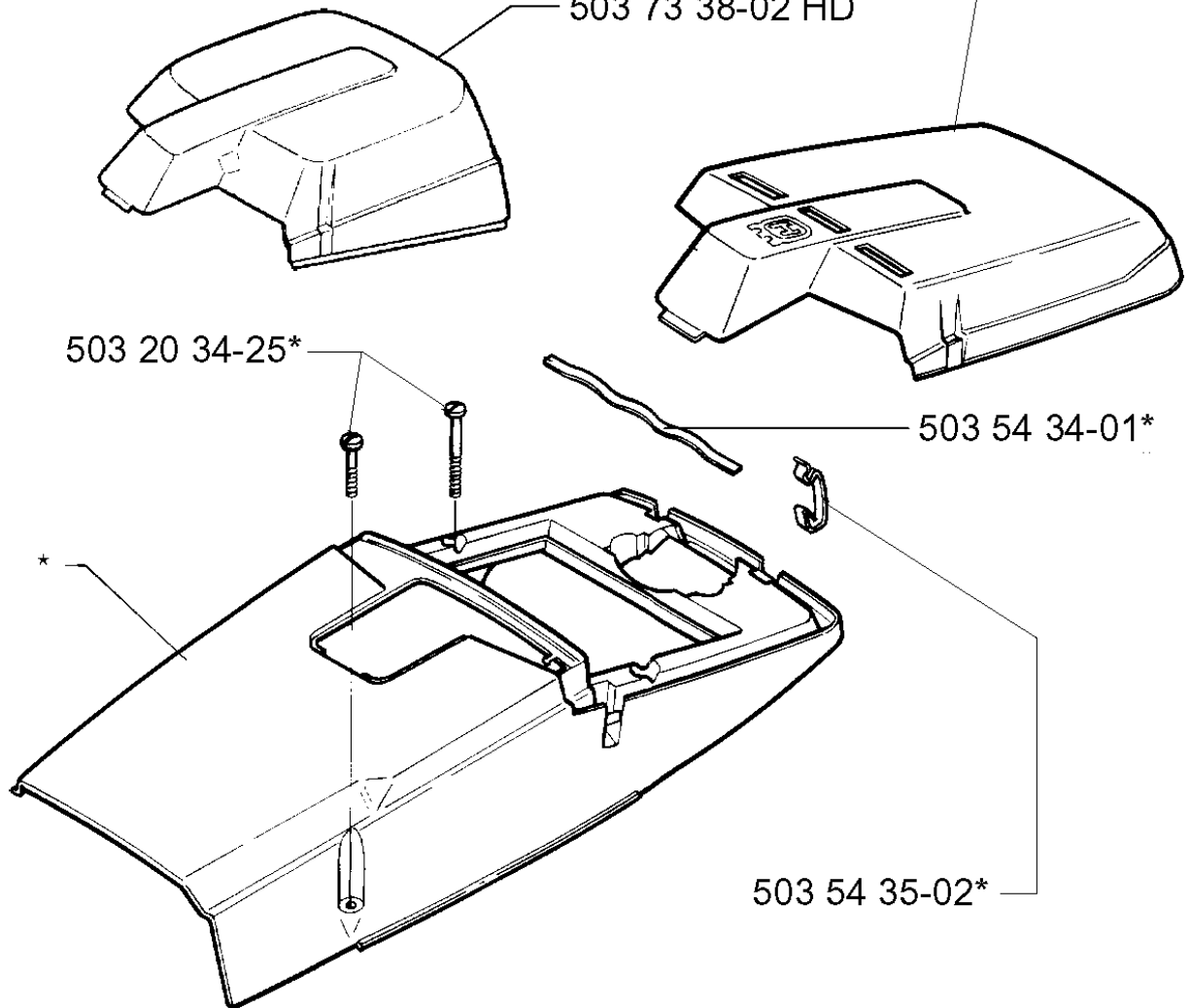
394 XP, 19980900001-Current

Part No	Description	Remark	QTY KIT
501 28 85-01	SEAL		1
501 51 99-01	OIL HOSE		1
501 54 41-02	OIL SCREEN		1
501 54 48-01	SPRING		1
501 59 79-02	RIM	.404X7	1
501 59 80-02	RIM	3/8X7	1
503 14 51-01	CLUTCH SPRING		1
503 23 00-19	WASHER		1
503 23 00-58	WASHER		1
503 23 10-02	WASHER		1
503 25 30-01	NEEDLE BEARING		1
503 42 14-01	INDEXTAPP		1
503 42 24-01	SPRING		1
503 46 37-02	OIL PUMP ASSY		1
503 46 40-01	PUMP PISTON		1
503 46 42-01	PIN SCREW		1
503 46 43-01	TÄTNINGSPROPP		1
503 55 75-01	GEAR WHEEL		1
503 62 59-03	CLUTCH DRUM ASSY	3/8X7 DIA.78MM	1
503 62 59-04	CLUTCH DRUM ASSY	.404X7 DIA.78MM	1
503 70 15-01	CLUTCH ASSY	DIA.76MM	1
721 42 03-25	PINNE FRP-LS3X6 OXSV		1
725 52 95-55	SCREW IHSCM		1

**B** \*compl 503 52 64-08 HD  
\*compl 503 52 64-06

Std 503 52 65-02\*

503 73 38-02 HD

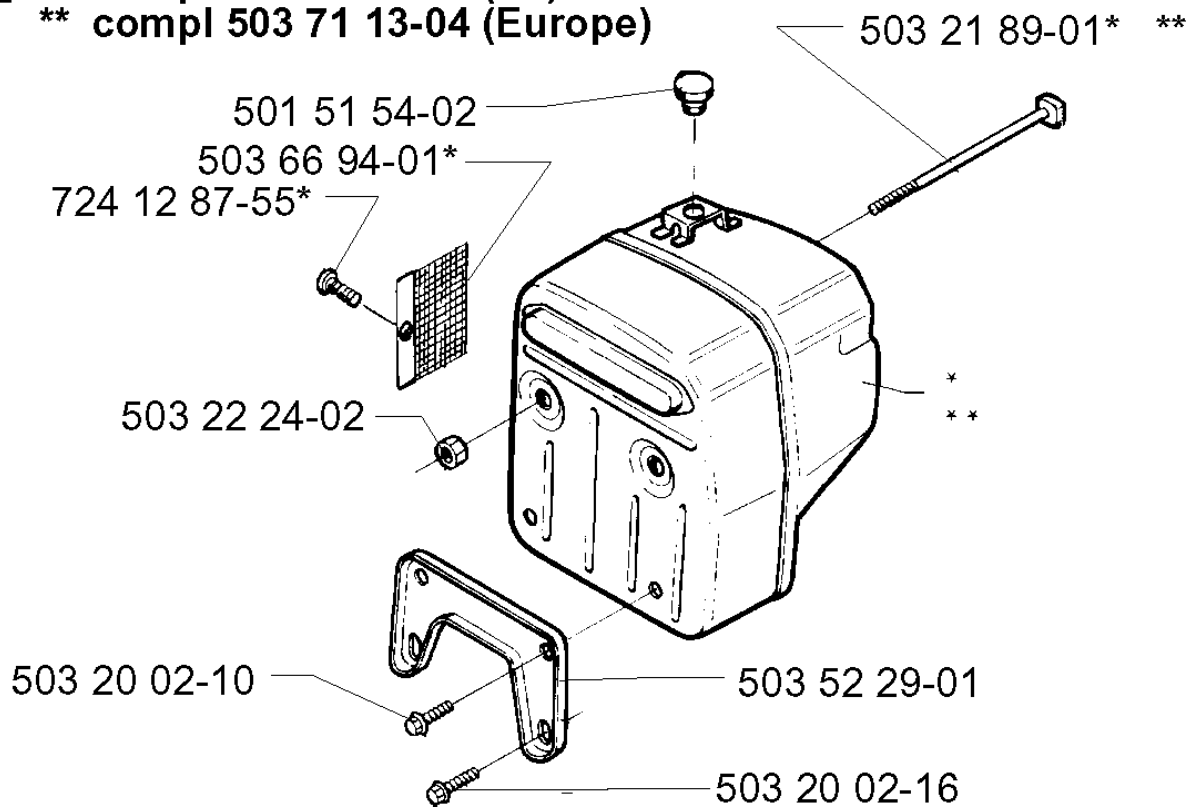


## COVER

394 XP, 19980900001-Current

Part No	Description	Remark	QTY KIT
503 20 34-25	SCREW CCRPANMO		1
503 52 64-06	CYLINDER COVER ASSY		1
503 52 64-08	CYLINDER COVER ASSY	HD	1
503 52 65-02	FILTER COVER	STD	1
503 54 34-01	SPRING		1
503 54 35-02	SPRING		1
503 73 38-02	FILTER COVER	HD	1

**F** \* compl 503 71 13-07 (FF)  
 \*\* compl 503 71 13-04 (Europe)

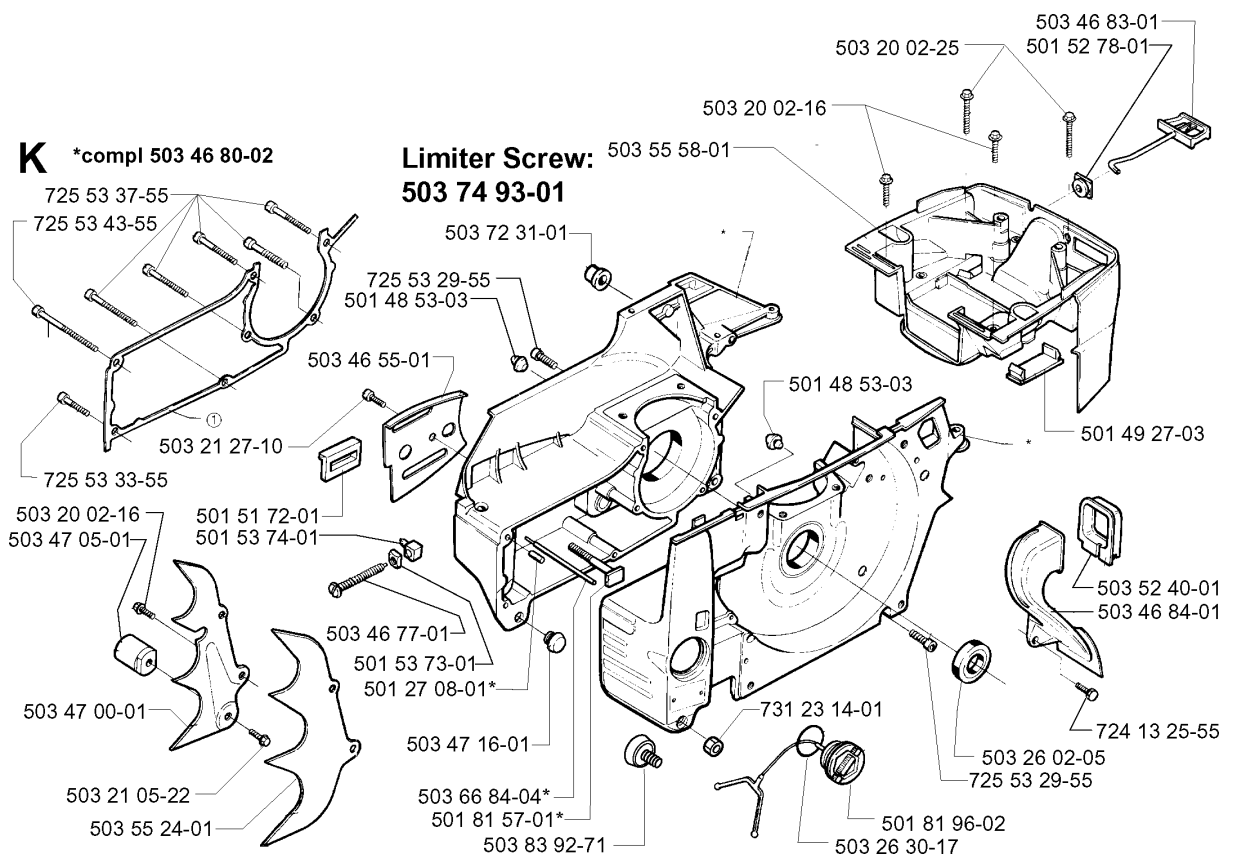




## MUFFLER

394 XP, 19980900001-Current

Ref	Part No	Description	Remark	QTY KIT
203 20 02-10	503 20 02-10	SCREW IHSCFM		1
503 71 13-07	503 71 13-07	MUFFLER	FF	1
503 71 13-04	503 71 13-04	MUFFLER	EUROPE	1
501 71 13-07	503 71 13-07	MUFFLER		1
501 51 54-02	501 51 54-02	SUPPORT		1
503 66 94-01	503 66 94-01	SPARK ARRESTER SCREEN		1
724 12 87-55	724 12 87-55	SCREW CRPANM		1
503 22 24-02	503 22 24-02	LOCK NUT		1
503 20 02-10	503 20 02-10	SCREW IHSCFM		1
503 20 02-16	503 20 02-16	SCREW IHSCFM		1
503 71 13-01	503 71 13-01	MUFFLER		1
503 52 29-01	503 52 29-01	BRACKET		1
503 21 89-01	503 21 89-01	SCREW		1

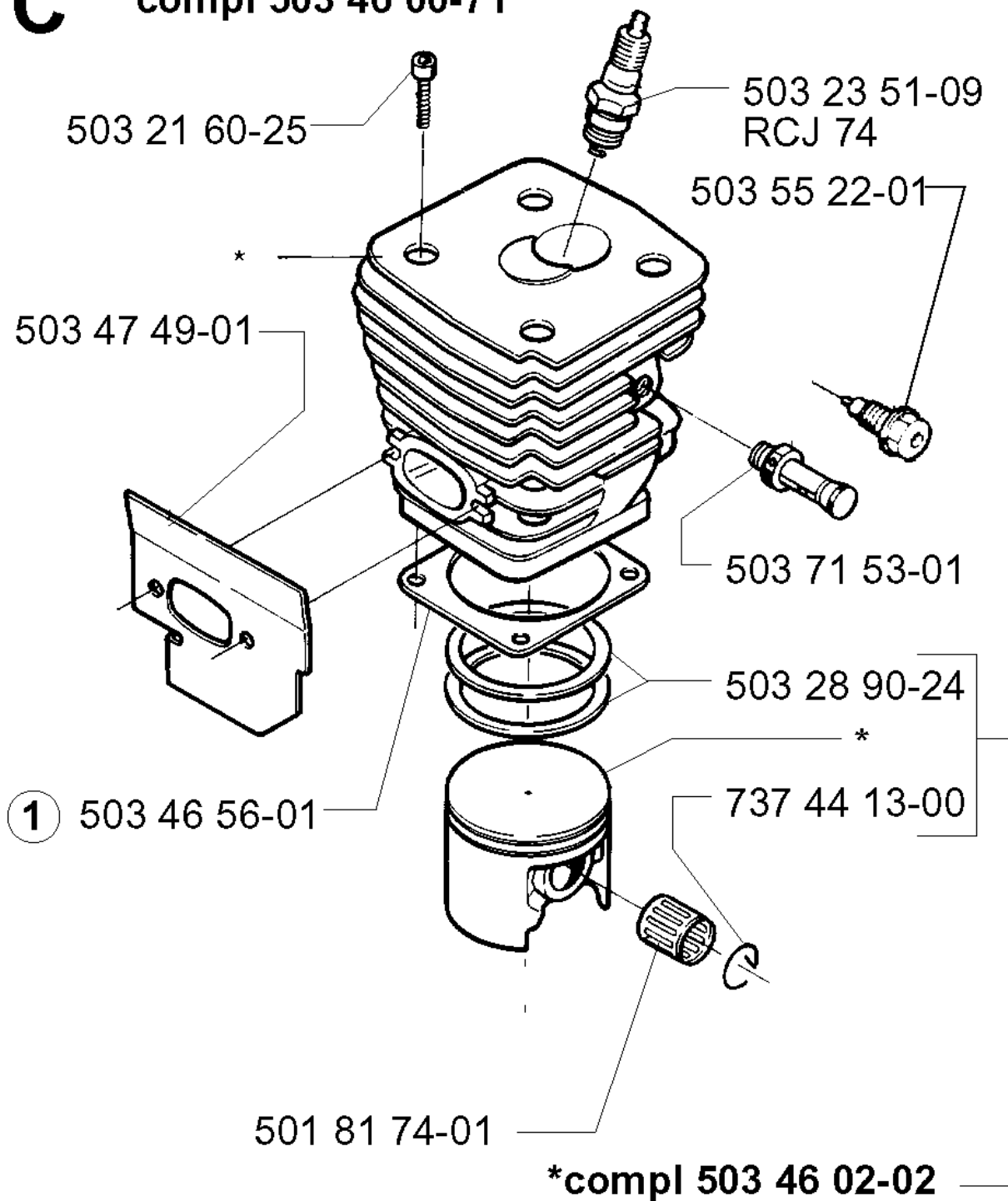


## CRANKCASE

394 XP, 19980900001-Current

Part No	Description	Remark	QTY KIT
501 27 08-01	GUIDE BUSHING		1
501 48 53-03	BUFFER		1
501 48 53-03	BUFFER		1
501 49 27-03	COVER		1
501 51 72-01	CHAIN GUIDE		1
501 52 78-01	GROMMET		1
501 53 73-01	LOCK NUT		1
501 53 74-01	PAWL		1
501 81 57-01	BAR BOLT		1
501 81 96-02	TANK CAP ASSY		1
503 20 02-16	SCREW IHSCFM		1
503 20 02-16	SCREW IHSCFM		1
503 20 02-25	SCREW IHSCFM		1
503 21 05-22	SCREW IHST		1
503 21 27-10	SCREW CCRPANT		1
503 26 02-05	SEALING RING		1
503 26 30-17	O-RING		1
503 46 55-01	PROTECTIVE PLATE		1
503 46 77-01	SCREW		1
503 46 80-02	CRANKCASE ASSY		1
503 46 83-01	CHOKE CONTROL		1
503 46 84-01	AIR NOZZLE		1
503 47 00-01	SPIKE		1
503 47 05-01	CHAIN CATCHER		1
503 47 16-01	BUFFER		1
503 52 40-01	GROMMET		1
503 55 24-01	SPIKE		1
503 55 58-01	CARBURETTOR		1
503 66 84-04	TANK VENT ASSY		1
503 72 31-01	BUSHING		1
503 74 93-01	SCREW	LIMITER SCREW:	1
503 83 92-71	SUPPORT		1
724 13 25-55	SCREW CRPANM		1
725 53 29-55	SCREW IHSCM		1
725 53 29-55	SCREW IHSCM		1
725 53 33-55	SCREW IHSCM		1
725 53 37-55	SCREW IHSCM		1
725 53 43-55	SCREW IHSCM		1
731 23 14-01	HEXAGON NUT		1

**C** \*compl 503 46 00-71

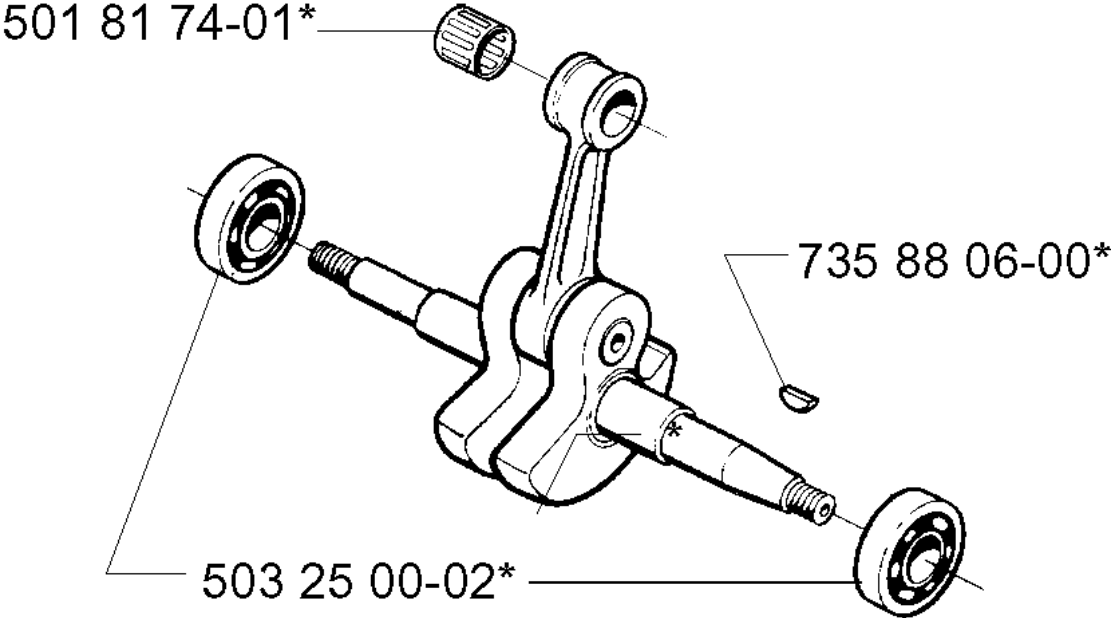


## CYLINDER PISTON

394 XP, 19980900001-Current

Part No	Description	Remark	QTY KIT
501 81 74-01	NEEDLE BEARING		1
503 21 60-25	SCREW		1
503 23 51-09	SPARK PLUG	RCJ 74	1
503 28 90-24	PISTON RING		1
503 46 00-71	CYLINDER ASSY		1
503 46 02-02	PISTON ASSY		1
503 46 56-01	GASKET		1
503 47 49-01	HEAT DEFLECTOR		1
503 55 22-01	PLUG		1
503 71 53-01	DECOMPRESSION VALVE		1
737 44 13-00	CIRCLIP		1

**G** \*compl 501 81 49-02

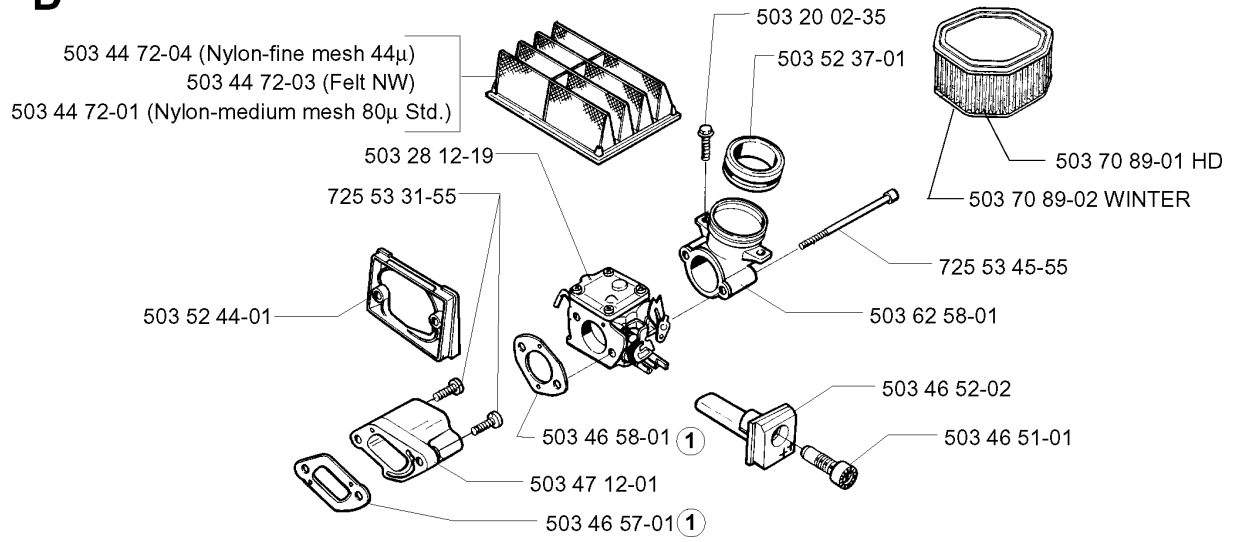


CRANKSHAFT

394 XP, 19980900001-Current

Part No	Description	Remark	QTY KIT
501 81 49-02	CRANKSHAFT ASSY		1
501 81 74-01	NEEDLE BEARING		1
503 25 00-02	BALL BEARING		1
735 88 06-00	WOODRUFF KEY		1

**D**



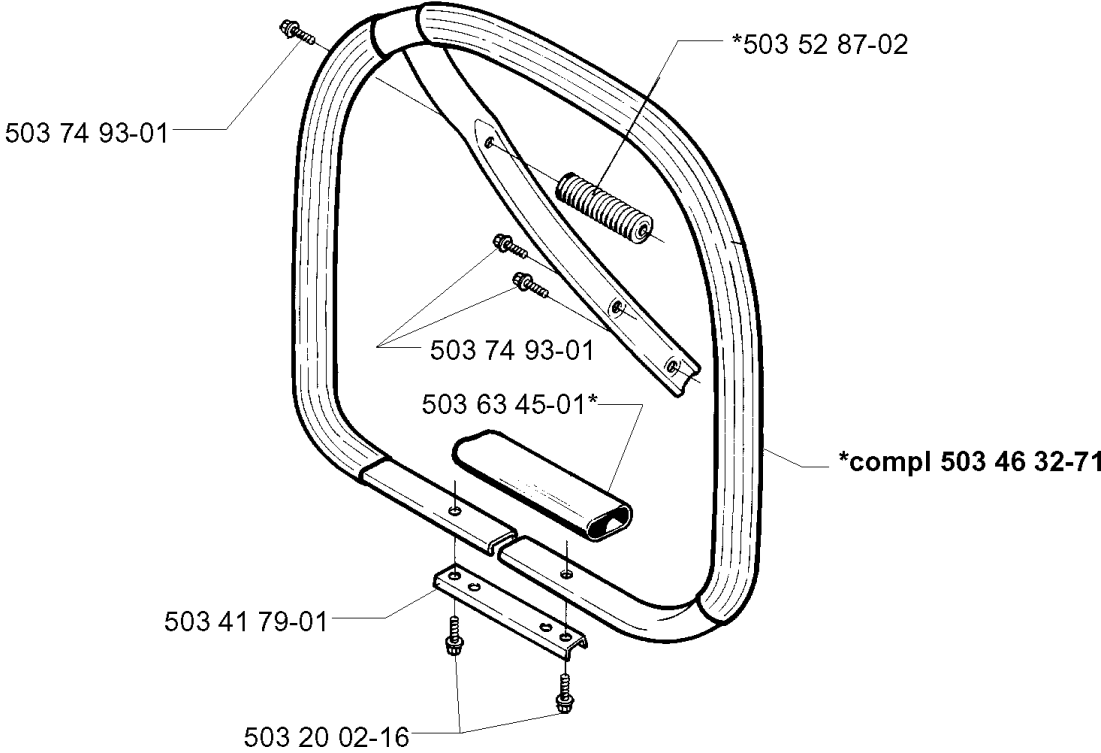


## CARBURETOR &amp; AIR FILTER

394 XP, 19980900001-Current

Part No	Description	Remark	QTY KIT
503 20 02-35	SCREW IHSCFM		1
503 28 12-19	CARBURETTOR		1
503 44 72-01	AIR FILTER		1
503 44 72-03	AIR FILTER	FELT NW	1
503 44 72-04	AIR FILTER		1
503 46 51-01	HANDLE		1
503 46 52-02	GUIDE BUSHING		1
503 46 57-01	GASKET		1
503 46 58-01	GASKET		1
503 47 12-01	MANIFOLD		1
503 52 37-01	SEALING		1
503 52 44-01	SEALING COLLAR		1
503 62 58-01	FILTERBLOCK ASSY		1
503 70 89-01	AIR FILTER	HD	1
503 70 89-02	AIR FILTER	WINTER	1
725 53 31-55	SCREW IHSCM		1
725 53 45-55	SCREW IHSCM		1

P

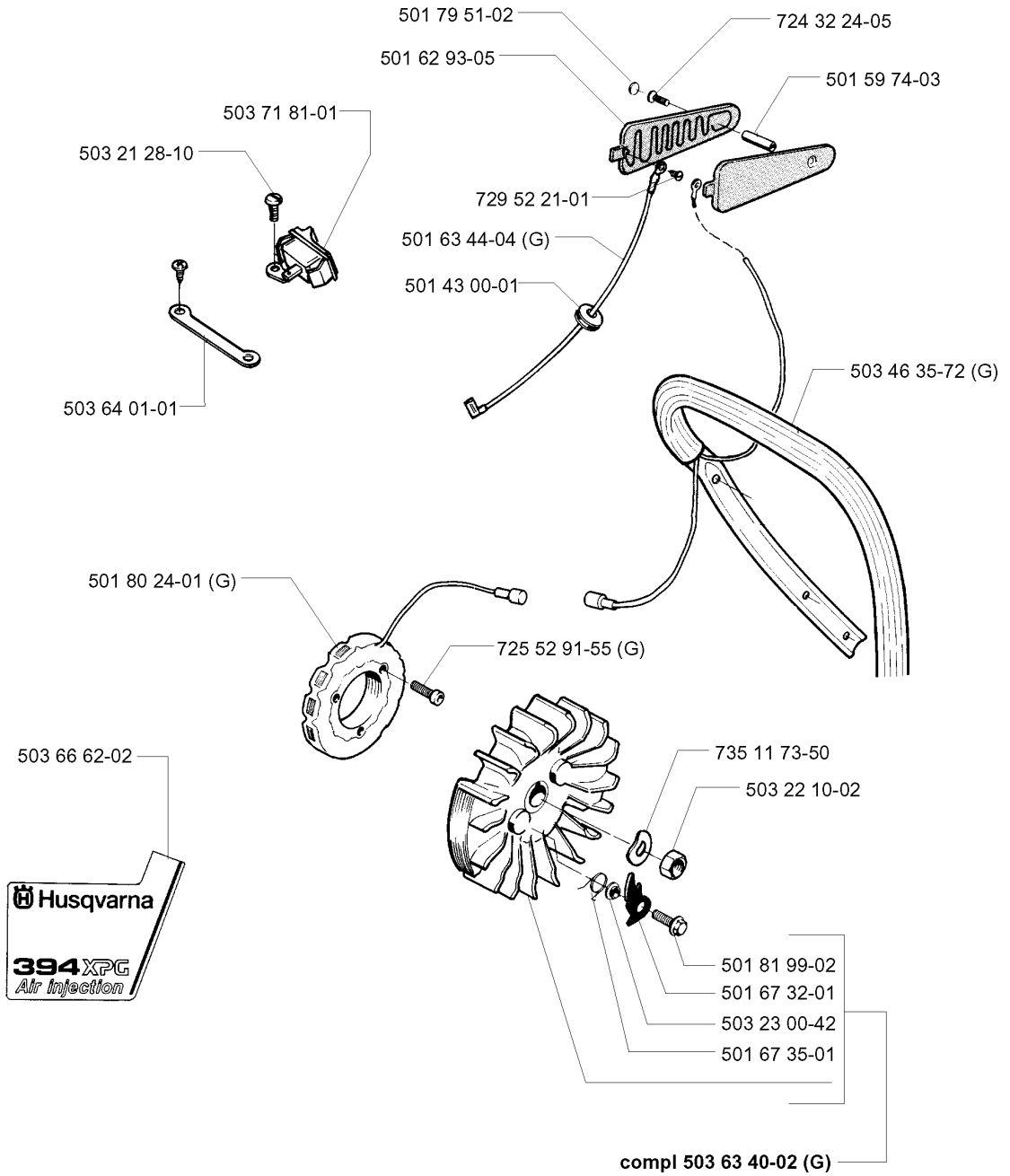


## HANDLE

394 XP, 19980900001-Current

Part No	Description	Remark	QTY KIT
503 20 02-16	SCREW IHSCFM		1
503 21 05-22	SCREW IH SCT		1
503 21 05-22	SCREW IH SCT		1
503 41 79-01	ATTACHMENT PLATE		1
503 46 32-71	FRONT HANDLE ASSY		1
503 46 35-71	FRONT HANDLE ASSY		1
503 52 87-02	INSULATOR		1
503 63 45-01	PROTECTION		1
503 74 93-01	SCREW		1

**S** XPG



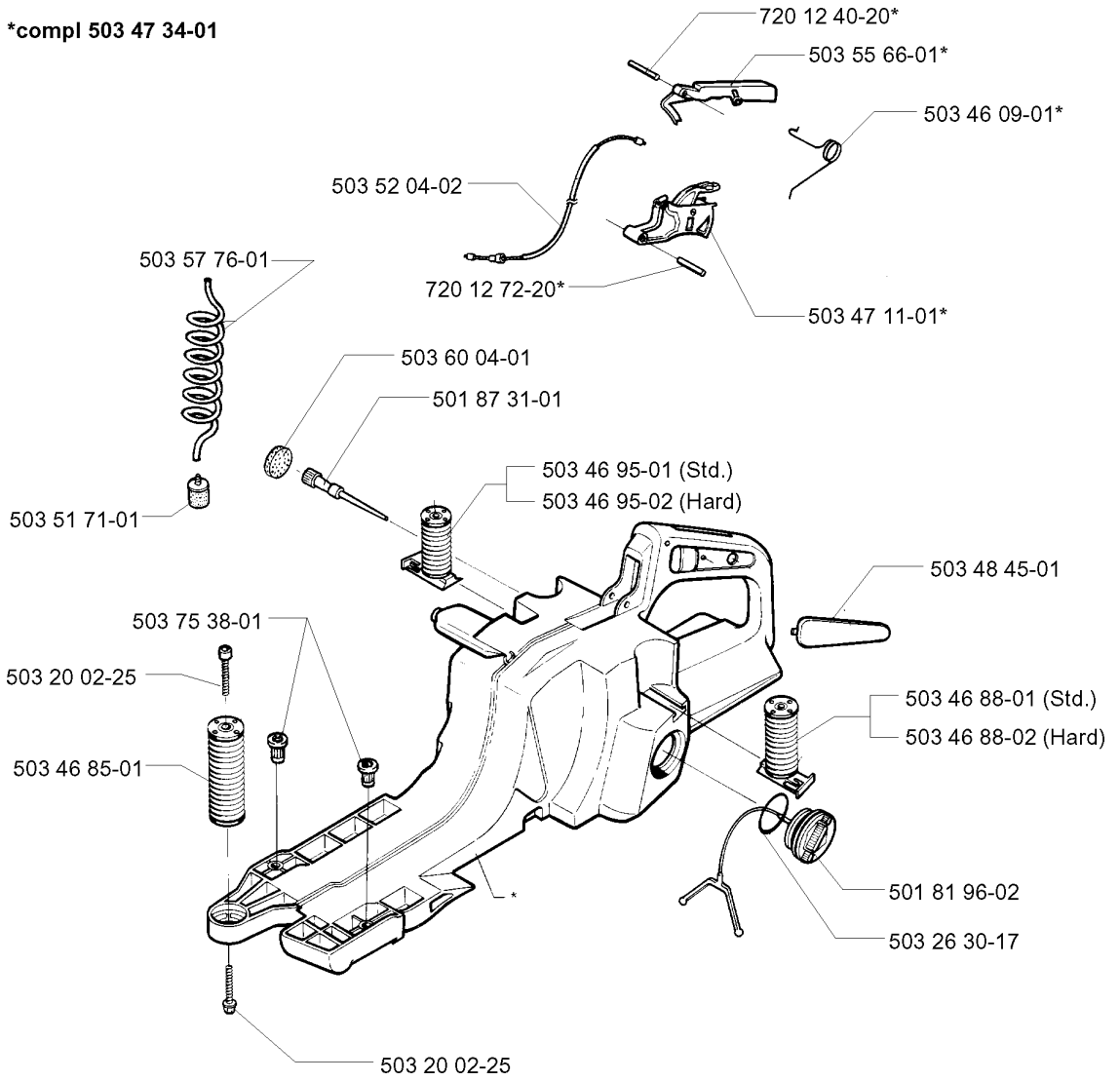
## ELECTRICAL

394 XP, 19980900001-Current

Part No	Description	Remark	QTY KIT
501 08 17-01	IGNITION CABLE		1
501 43 00-01	CABLE GROMMET		1
501 48 54-02	SPARK PLUG CAP		1
501 59 74-03	SPACER		1
501 62 93-05	HANDLE INSERT		1
501 63 44-04	CABLE		1
501 67 32-01	PAWL		1
501 67 35-01	SPRING		1
501 79 51-02	COVER WASHER		1
501 80 24-01	STATOR ASSY		1
501 81 99-02	SCREW		1
501 83 98-04	CABLE		1
503 21 28-10	SCREW CCRPANT		1
503 22 10-02	HEXAGON NUT		1
503 23 00-42	WASHER		1
503 46 35-72	FRONT HANDLE ASSY		1
503 52 78-01	WIRE		1
503 63 40-01	FLYWHEEL ASSY		1
503 63 40-02	FLYWHEEL ASSY		1
503 63 98-01	IGNITION MODULE		1
503 64 01-01	SHEET		1
503 66 62-02	DECAL		1
503 71 79-01	STOP SWITCH		1
503 71 81-01	SWITCH		1
724 32 24-05	SCREW CRCSFM		1
725 52 91-55	SCREW IHSCM		1
725 52 95-55	SCREW IHSCM		1
729 52 21-01	SCREW CRPANT		1
735 11 73-50	SPRING WASHER		1

**E**

\*compl 503 47 34-01

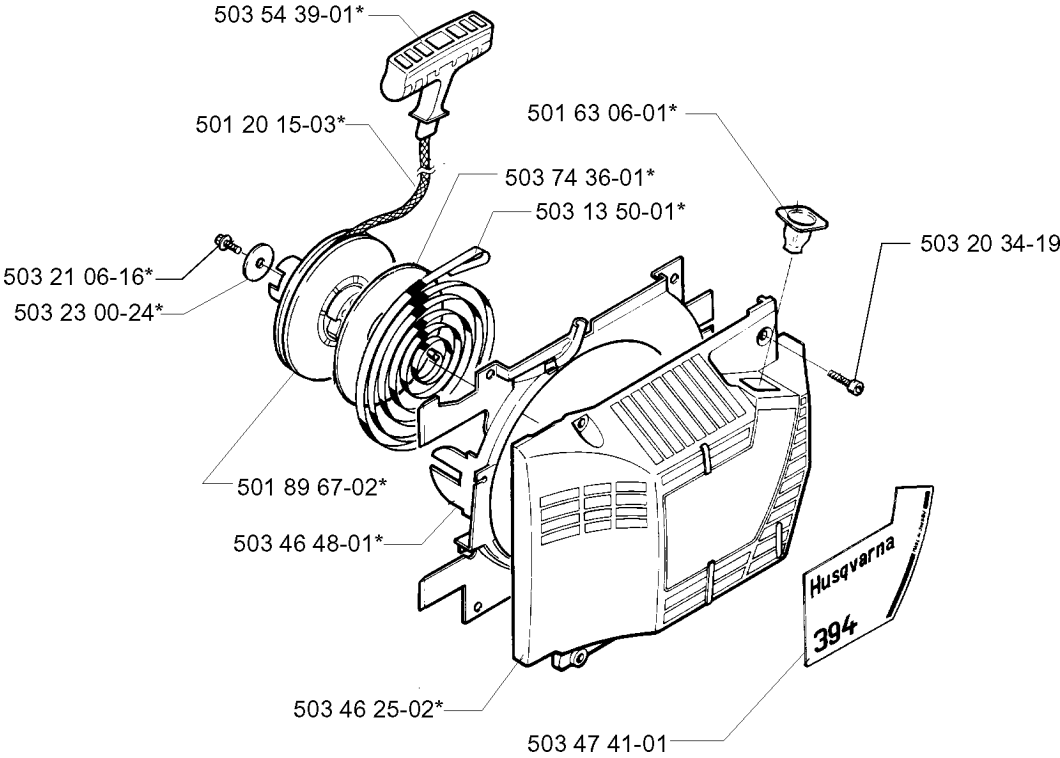


## FUEL TANK

394 XP, 19980900001-Current

Part No	Description	Remark	QTY KIT
501 81 96-02	TANK CAP ASSY		1
501 87 31-01	TANK VENT ASSY		1
503 20 02-25	SCREW IHSCFM		1
503 20 02-25	SCREW IHSCFM		1
503 26 30-17	O-RING		1
503 46 09-01	SPRING		1
503 46 85-01	ANTIVIBRATION ELEMENT		1
503 46 88-01	ANTIVIBRATION ELEMENT	STD.	1
503 46 88-02	ANTIVIBRATION ELEMENT	HARD	1
503 46 95-01	ANTIVIBRATION ELEMENT	STD.	1
503 46 95-02	ANTIVIBRATION ELEMENT	HARD	1
503 47 11-01	THROTTLE CONTROL ASSY		1
503 47 34-01	FUEL TANK		1
503 48 45-01	HANDLE INSERT		1
503 51 71-01	FUEL FILTER		1
503 52 04-02	THROTTLE CABLE ASSY		1
503 55 66-01	THROTTLE LOCKOUT		1
503 57 76-01	FUEL HOSE		1
503 60 04-01	FILTER PLUG		1
503 75 38-01	THREAD INSERT		1
720 12 40-20	PARALLEL PIN		1
720 12 72-20	PARALLEL PIN		1

**M** \*compl 503 46 24-02





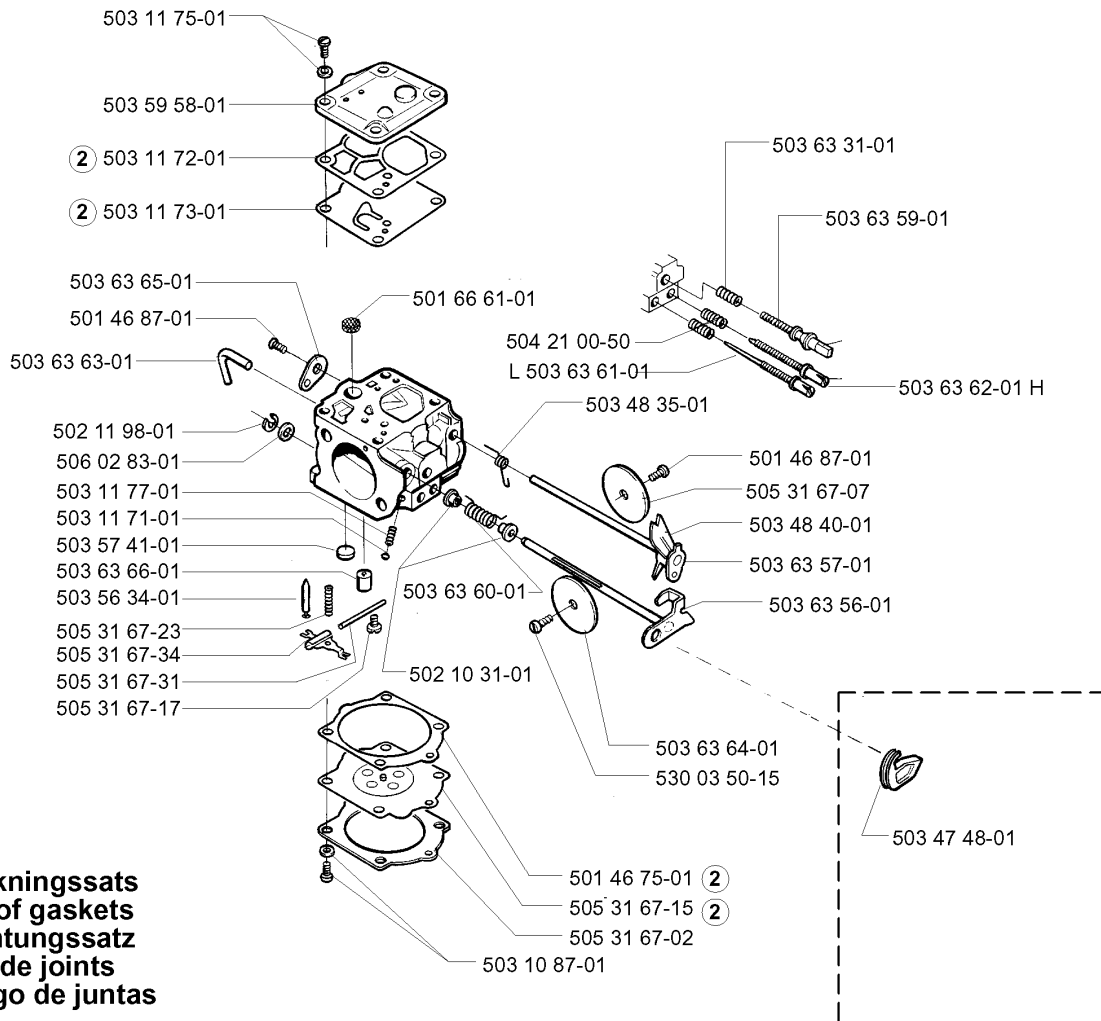
## STARTER

394 XP, 19980900001-Current

Part No	Description	Remark	QTY KIT
501 20 15-03	STARTER CORD		1
501 63 06-01	SLEEVE		1
501 89 67-02	STARTER PULLEY		1
503 13 50-01	RECOIL SPRING		1
503 20 34-19	SCREW CCRPANMO		1
503 21 06-16	SCREW IHSCT		1
503 23 00-24	WASHER		1
503 46 24-02	STARTER ASSY		1
503 46 25-02	STARTER HOUSING		1
503 46 48-01	AIR CONDUCTOR		1
503 47 41-01	LABEL		1
503 54 39-01	STARTER HANDLE		1
503 74 36-01	DISC		1

**N** compl 503 28 12-19

**Walbro WJ 71**



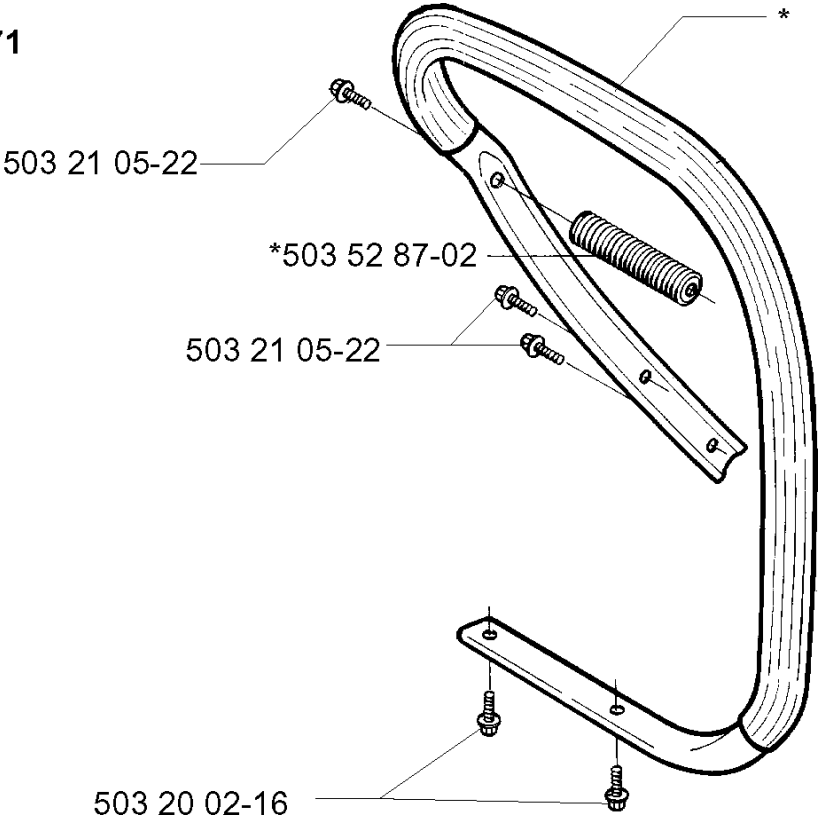
**Packningssats**  
**Set of gaskets**  
**Dichtungssatz**  
**Jeu de joints**  
**Juego de juntas**

## CARBURETOR DETAILS

394 XP, 19980900001-Current

Part No	Description	Remark	QTY KIT
501 46 75-01	GASKET	SET OF GASKETS	1
501 46 87-01	SCREW		1
501 46 87-01	SCREW		1
501 66 61-01	SCREEN		1
502 10 31-01	BUSHING		1
502 11 98-01	CIRCLIP		1
503 10 87-01	SCREW		1
503 11 71-01	BALL		1
503 11 72-01	GASKET	SET OF GASKETS	1
503 11 73-01	DIAPHRAGM PUMP	SET OF GASKETS	1
503 11 75-01	SCREW		1
503 11 77-01	SPRING		1
503 28 12-19	CARBURETTOR		1
503 47 48-01	LEVER		1
503 48 35-01	SPRING		1
503 48 40-01	LEVER		1
503 56 34-01	NEEDLE VALVE		1
503 57 41-01	PLUG		1
503 59 58-01	COVER		1
503 63 31-01	SPRING		1
503 63 56-01	SHAFT ASSY		1
503 63 57-01	SHAFT ASSY		1
503 63 59-01	SCREW IDLE SPEED		1
503 63 60-01	SPRING THROTT.RETURN		1
503 63 61-01	NEEDLE IDLE	L	1
503 63 62-01	NEEDLE HIGH SPEED	H	1
503 63 63-01	FITTING		1
503 63 64-01	VALVE THROTTLE		1
503 63 65-01	LEVER		1
503 63 66-01	NOZZLE ASSY CH.VALVE		1
504 21 00-50	SPRING		1
505 31 67-02	COVER		1
505 31 67-07	VALVE-CHOKE		1
505 31 67-15	DIAPHRAGM ASSY	SET OF GASKETS	1
505 31 67-17	SCREW		1
505 31 67-23	SPRING		1
505 31 67-31	PIN		1
505 31 67-34	LEVER		1
506 02 83-01	WASHER		1
530 03 50-15	SCREW		1

**H** \*compl 503 46 35-71



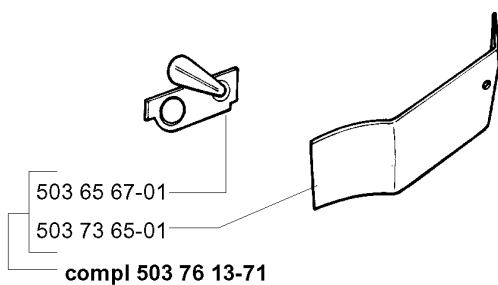
## HANDLE

394 XP, 19980900001-Current

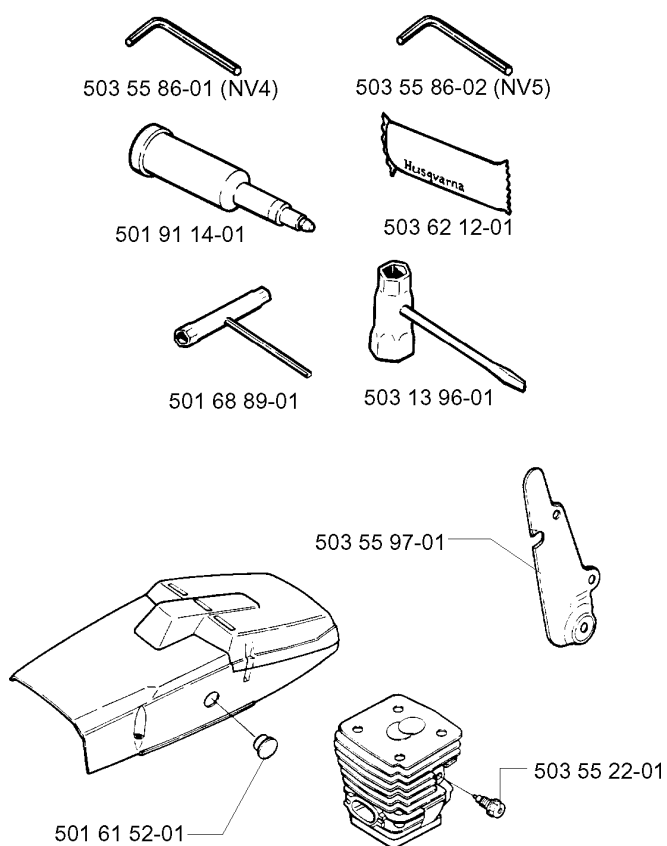
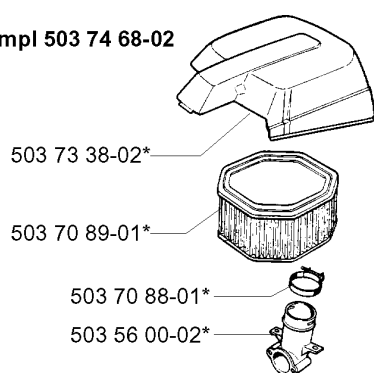
Part No	Description	Remark	QTY KIT
503 20 02-16	SCREW IHSCFM		1
503 21 05-22	SCREW IH SCT		1
503 41 79-01	ATTACHMENT PLATE		1
503 46 32-71	FRONT HANDLE ASSY		1
503 46 35-71	FRONT HANDLE ASSY		1
503 52 87-02	INSULATOR		1
503 63 45-01	PROTECTION		1
503 74 93-01	SCREW		1
503 74 93-01	SCREW		1

**Q**

**Tillbehör  
Accessories  
Zubehöre  
Accessoires  
Accesorios**



**\*compl 503 74 68-02**

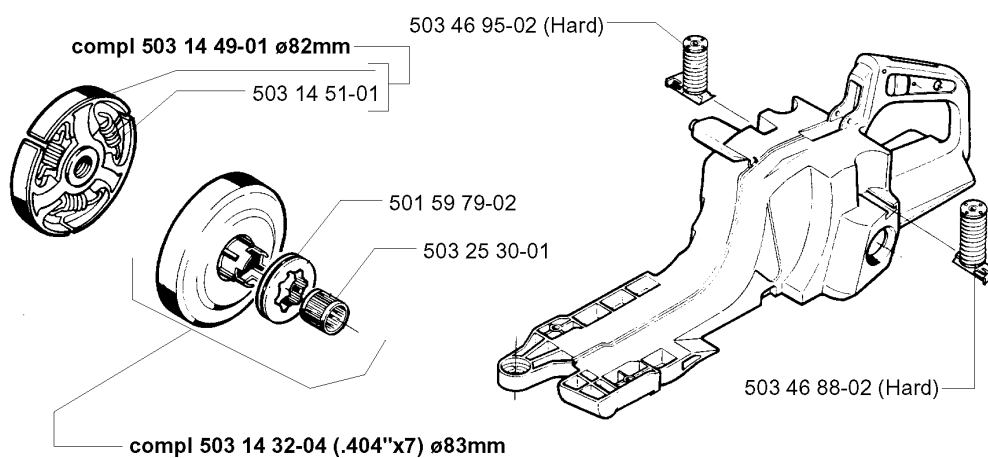
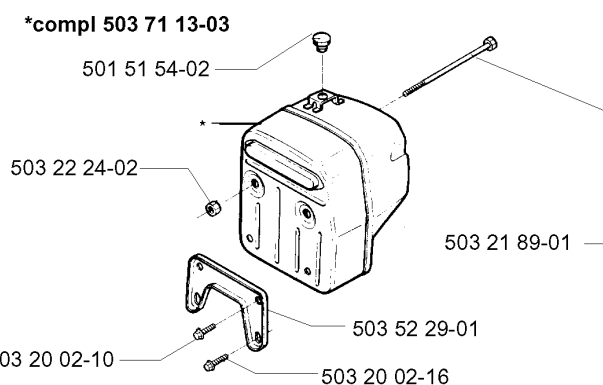
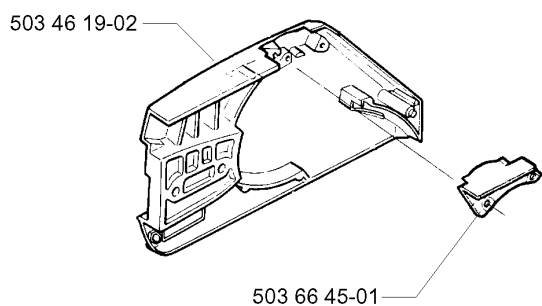


## ACCESSORIES

394 XP, 19980900001-Current

Part No	Description	Remark	QTY KIT
501 61 52-01	PLUG		1
501 68 89-01	COMBINATION WRENCH		1
501 91 14-01	GREASE GUN		1
503 13 96-01	COMBINATION WRENCH		1
503 55 22-01	PLUG		1
503 55 86-01	SPANNER	NV4	1
503 55 86-02	SPANNER	NV5	1
503 55 97-01	BUMPER		1
503 56 00-02	HOSE CLAMP		1
503 62 12-01	GREASE		1
503 65 67-01	COVER PLATE		1
503 70 88-01	FILTER CONNECTION		1
503 70 89-01	AIR FILTER		1
503 73 38-02	FILTER COVER		1
503 73 65-01	WINTER COVER		1
503 74 68-02	AIR FILTER		1
503 76 13-71	WINTER KIT		1

# R Jungle



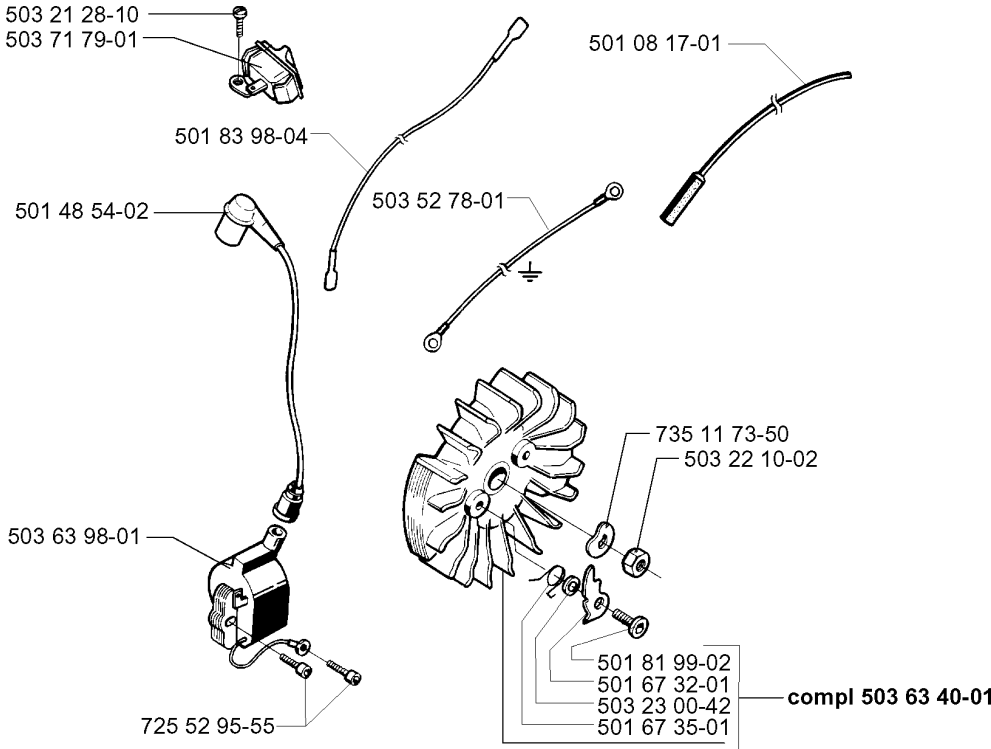


## ACCESSORIES

394 XP, 19980900001-Current

Part No	Description	Remark	QTY KIT
501 51 54-02	SUPPORT		1
501 59 79-02	RIM		1
503 14 32-04	CLUTCH DRUM ASSY	.404X7 DIA.83MM	1
503 14 49-01	CLUTCH ASSY	DIA.82MM	1
503 14 51-01	CLUTCH SPRING		1
503 20 02-10	SCREW IHSCFM		1
503 20 02-16	SCREW IHSCFM		1
503 21 89-01	SCREW		1
503 22 24-02	LOCK NUT		1
503 25 30-01	NEEDLE BEARING		1
503 46 19-02	CLUTCH COVER		1
503 46 88-02	ANTIVIBRATION ELEMENT	HARD	1
503 46 95-02	ANTIVIBRATION ELEMENT	HARD	1
503 52 29-01	BRACKET		1
503 66 45-01	LID		1
503 71 13-03	MUFFLER		1

L



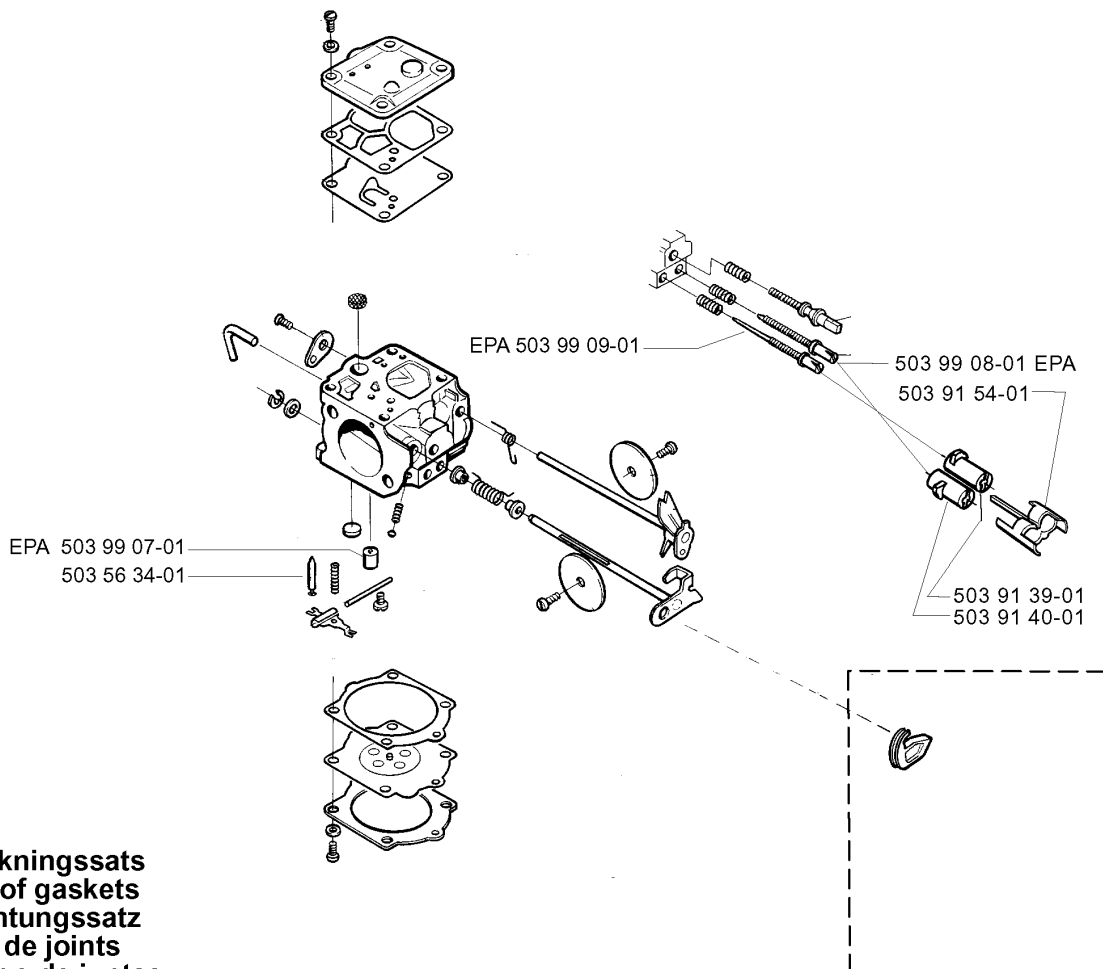
## ELECTRICAL

394 XP, 19980900001-Current

Ref	Part No	Description	Remark	QTY KIT
501 08 17-01	501 08 17-01	IGNITION CABLE		1
501 48 54-02	501 48 54-02	SPARK PLUG CAP		1
503 71 81-01	503 71 81-01	SWITCH		1
503 21 28-10	503 21 28-10	SCREW CCRPANT		1
503 64 01-01	503 64 01-01	SHEET		1
501 80 24-01	501 80 24-01	STATOR ASSY	G	1
501 83 98-04	501 83 98-04	CABLE		1
503 66 62-02	503 66 62-02	DECAL		1
503 63 40-02	503 63 40-02	FLYWHEEL ASSY	G	1
501 67 35-01	501 67 35-01	SPRING		1
503 22 10-22	503 22 10-02	HEXAGON NUT		1
503 23 00-42	503 23 00-42	WASHER		1
501 67 32-01	501 67 32-01	PAWL		1
503 52 78-01	503 52 78-01	WIRE		1
501 81 99-02	501 81 99-02	SCREW		1
503 63 40-01	503 63 40-01	FLYWHEEL ASSY		1
503 22 10-02	503 22 10-02	HEXAGON NUT		1
503 63 98-01	503 63 98-01	IGNITION MODULE		1
503 71 79-01	503 71 79-01	STOP SWITCH		1
735 11 73-50	735 11 73-50	SPRING WASHER		1
725 52 91-55	725 52 91-55	SCREW IHSCM	G	1
725 52 95-55	725 52 95-55	SCREW IHSCM		1
503 46 35-72	503 46 35-72	FRONT HANDLE ASSY	G	1
501 59 74-03	501 59 74-03	SPACER		1
724 32 24-05	724 32 24-05	SCREW CRCSFM		1
501 43 00-01	501 43 00-01	CABLE GROMMET		1
501 63 44-04	501 63 44-04	CABLE	G	1
729 52 21-01	729 52 21-01	SCREW CRPANT		1
501 62 93-05	501 62 93-05	HANDLE INSERT		1
501 79 51-02	501 79 51-02	COVER WASHER		1

**T** compl 503 28 12-15 EPA

# Walbro WJ 70 EPA

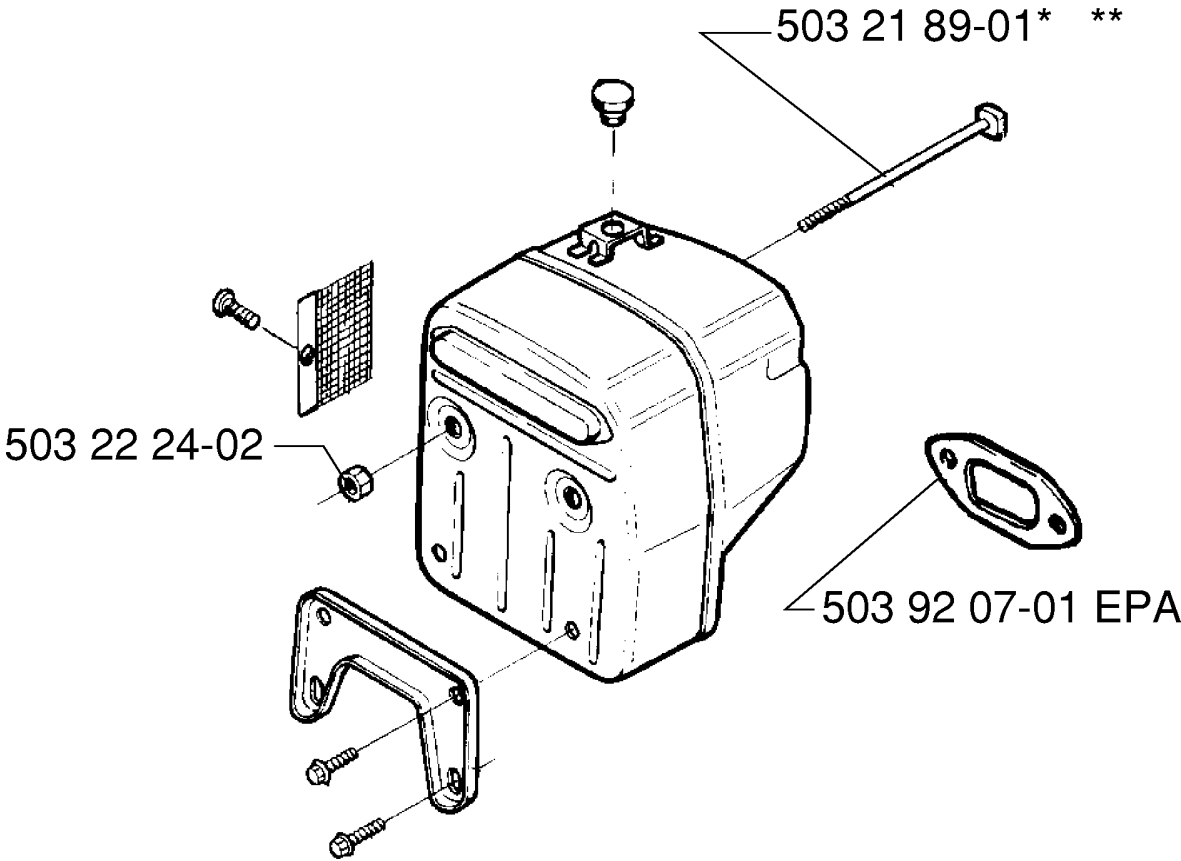


CARBURETOR DETAILS

394 XP, 19980900001-Current

Part No	Description	Remark	QTY KIT
503 28 12-15	CARBURETTOR	EPA	1
503 56 34-01	NEEDLE VALVE		1
503 91 39-01	LIMITER CAP		1
503 91 40-01	LIMITER CAP		1
503 91 54-01	RETAINER		1
503 99 07-01	NOZZLE	EPA	1
503 99 08-01	NEEDLE	EPA	1
503 99 09-01	NEEDLE	EPA	1

\* compl 503 71 13-07 (FF)

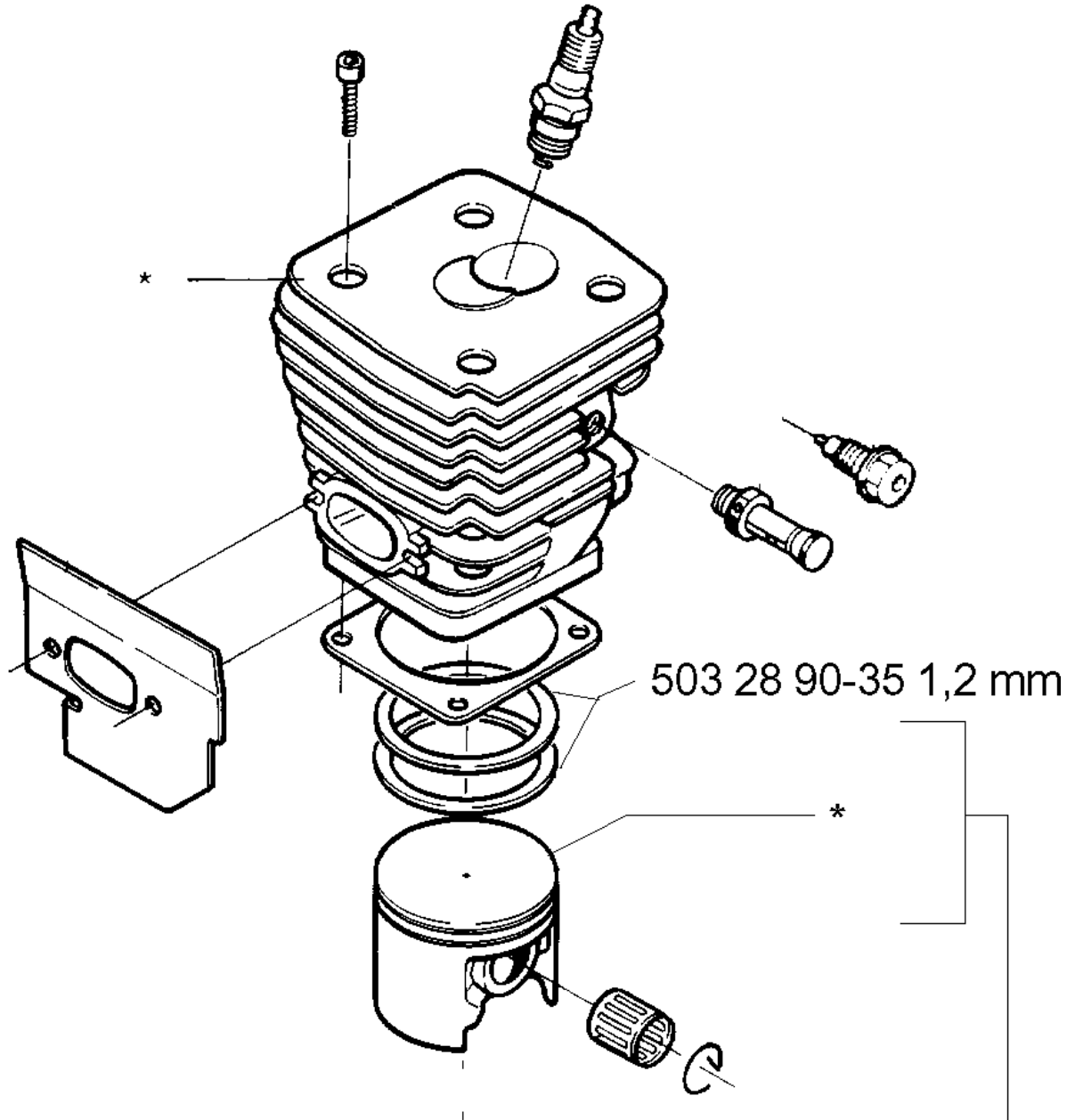


MUFFLER

394 XP, 19980900001-Current

Part No	Description	Remark	QTY KIT
503 21 89-01	SCREW		1
503 22 24-02	LOCK NUT		1
503 71 13-07	MUFFLER	FF	1
503 92 07-01	GASKET	EPA	1

**\*compl 503 90 76-71 EPA**



**\*compl 503 91 91-71 EPA**



CYLINDER PISTON

394 XP, 19980900001-Current

Part No	Description	Remark	QTY KIT
503 28 90-35	PISTON RING	1,2 MM	1
503 90 76-71	CYLINDER ASSY	EPA	1
503 91 91-71	PISTON	EPA	1