

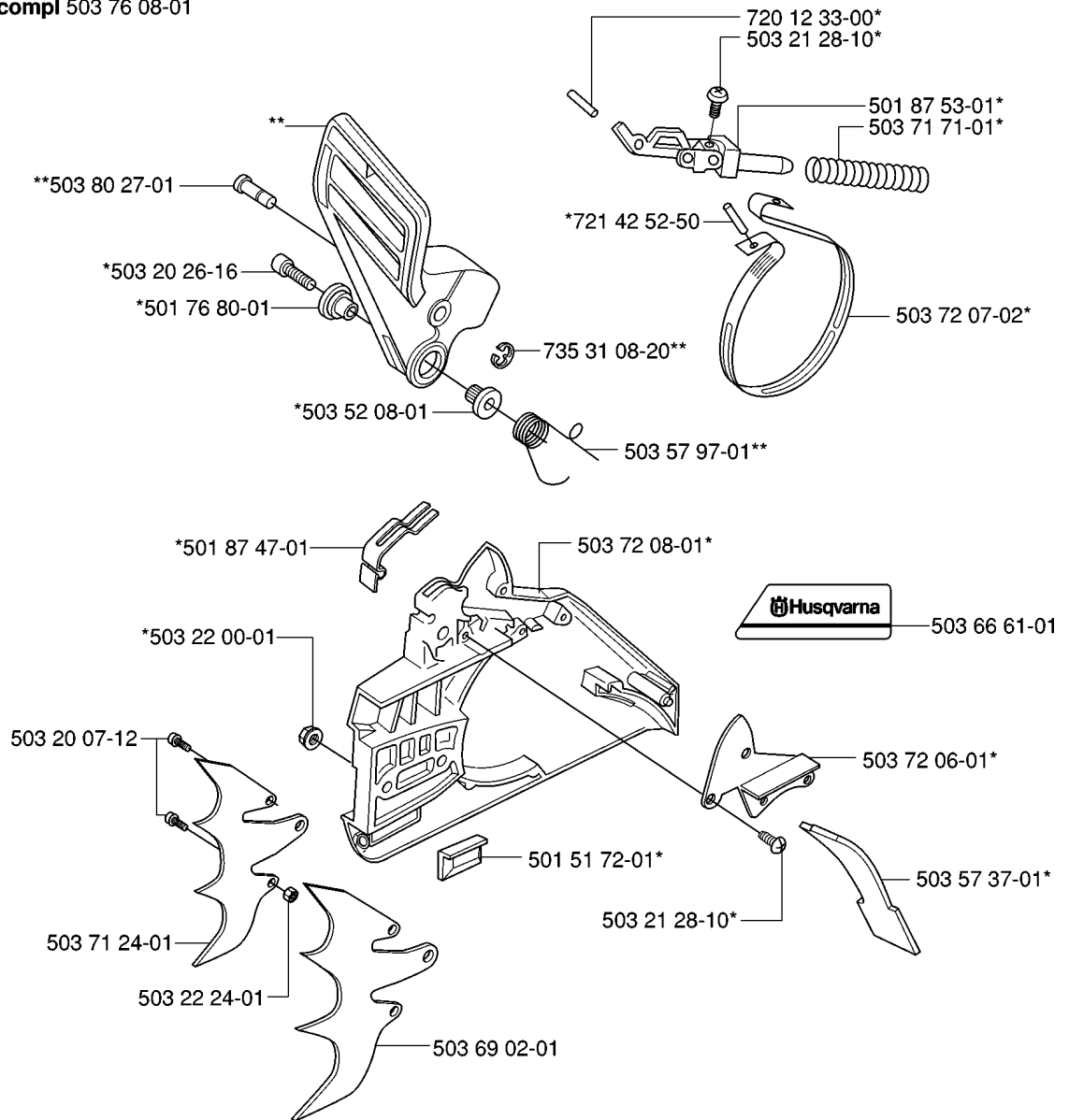


SPARE PARTS LIST

CHAIN SAWS

395 XP, 20070100001-Current

A *compl 503 73 15-06
 **compl 503 76 08-01

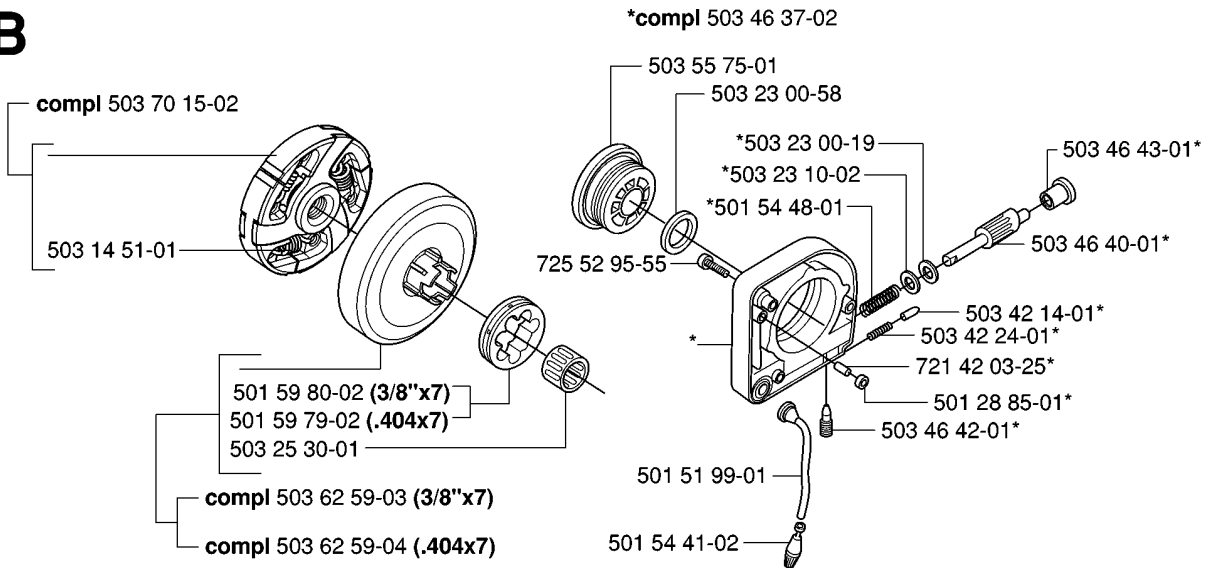


CHAIN BRAKE & CLUTCH COVER

395 XP, 20070100001-Current

Part No	Description	Remark	QTY KIT
501 51 72-01	CHAIN GUIDE		1
501 76 80-01	SHAFT		1
501 87 47-01	SPRING		1
501 87 53-01	KNEE JOINT ASSY		1
503 20 07-12	SCREW IHSCFM		1
503 20 26-16	SCREW IHSCM		1
503 21 28-10	SCREW CCRPANT		1
503 21 28-10	SCREW CCRPANT		1
503 22 00-01	HEXAGON NUT		1
503 22 24-01	LOCK NUT		1
503 52 08-01	SHAFT		1
503 57 37-01	CHIP GUARD		1
503 57 97-01	POSITION SPRING		1
503 66 61-01	DECAL		1
503 69 02-01	SPIKE		1
503 71 24-01	SPIKE		1
503 71 71-01	BRAKE SPRING		1
503 72 06-01	LID		1
503 72 07-02	BRAKE BAND		1
503 72 08-01	CLUTCH COVER		1
503 73 15-06	CHAIN BRAKE ASSY		1
503 76 08-01	HAND GUARD ASSY		1
503 80 27-01	PIVOT PIN		1
720 12 33-00	PARALLEL PIN		1
721 42 52-50	SPRING PIN		1
735 31 08-20	E-CLIP		1

B

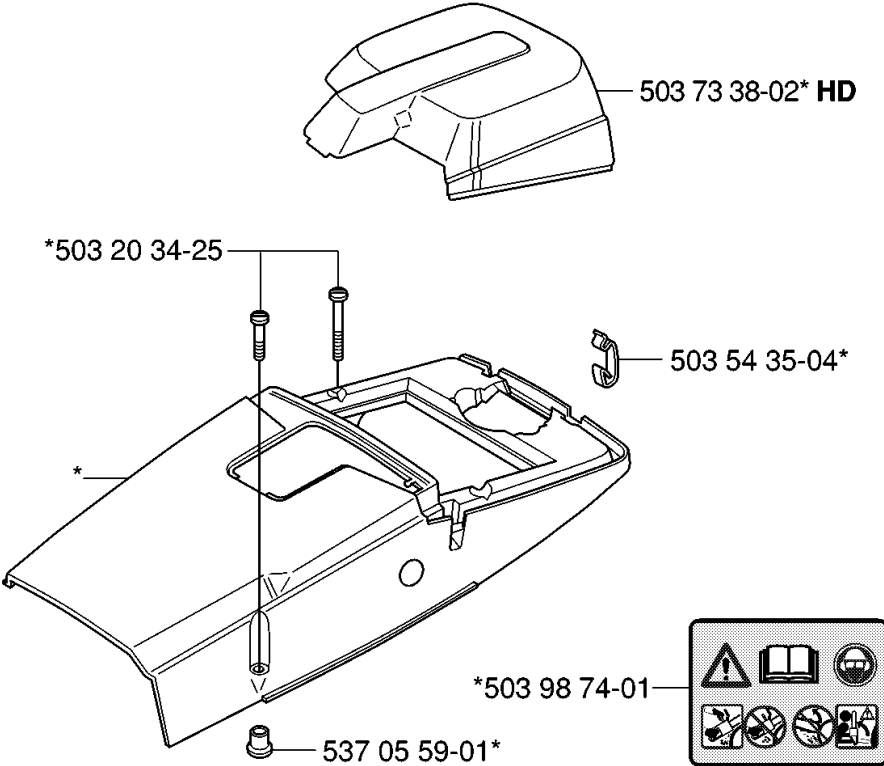


CLUTCH & OIL PUMP

395 XP, 20070100001-Current

Part No	Description	Remark	QTY KIT
501 28 85-01	SEAL		1
501 51 99-01	OIL HOSE		1
501 54 41-02	OIL SCREEN		1
501 54 48-01	SPRING		1
501 59 79-02	RIM		1
501 59 80-02	RIM		1
503 14 51-01	CLUTCH SPRING		1
503 23 00-19	WASHER		1
503 23 00-58	WASHER		1
503 23 10-02	WASHER		1
503 25 30-01	NEEDLE BEARING		1
503 42 14-01	INDEXTAPP		1
503 42 24-01	SPRING		1
503 46 37-02	OIL PUMP ASSY		1
503 46 40-01	PUMP PISTON		1
503 46 42-01	PIN SCREW		1
503 46 43-01	TÄTNINGSPROPP		1
503 55 75-01	GEAR WHEEL		1
503 62 59-03	CLUTCH DRUM ASSY		1
503 62 59-04	CLUTCH DRUM ASSY		1
503 70 15-02	CLUTCH ASSY		1
721 42 03-25	PINNE FRP-LS3X6 OXSV		1
725 52 95-55	SCREW IHSCM		1

C *compl 503 52 64-09 HD

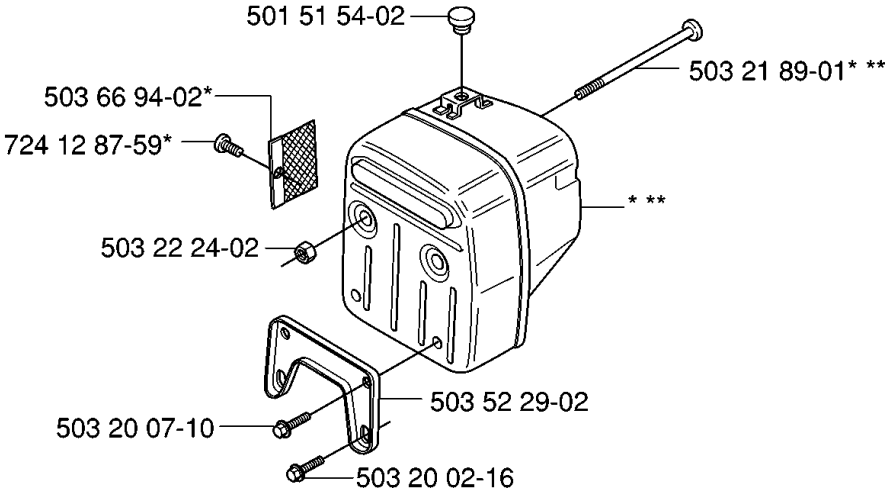


CYLINDER COVER

395 XP, 20070100001-Current

Part No	Description	Remark	QTY KIT
503 20 34-25	SCREW CCRPANMO		1
503 52 64-09	CYLINDER COVER ASSY		1
503 54 35-04	SPRING		1
503 73 38-02	FILTER COVER		1
503 98 74-01	LABEL		1
537 05 59-01	SLEEVE		1

D *compl 503 71 13-07 (FF)
**compl 503 71 13-04 (Europe)
**compl 503 71 13-05 (DJ)

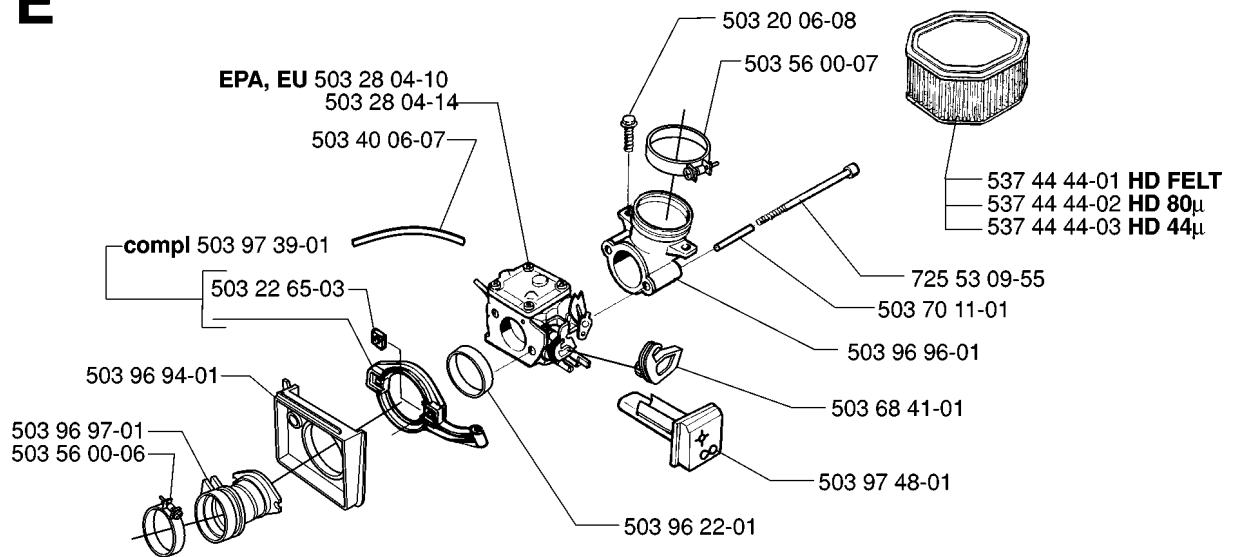


MUFFLER

395 XP, 20070100001-Current

Part No	Description	Remark	QTY KIT
501 51 54-02	SUPPORT		1
503 20 02-16	SCREW IHSCFM		1
503 20 07-10	SCREW IHSCFM		1
503 21 89-01	SCREW		1
503 22 24-02	LOCK NUT		1
503 52 29-02	BRACKET		1
503 66 94-02	SPARK ARRESTER SCREEN		1
503 71 13-04	MUFFLER		1
503 71 13-05	MUFFLER		1
503 71 13-07	MUFFLER		1
724 12 87-59	SCREW CRPANM		1

E

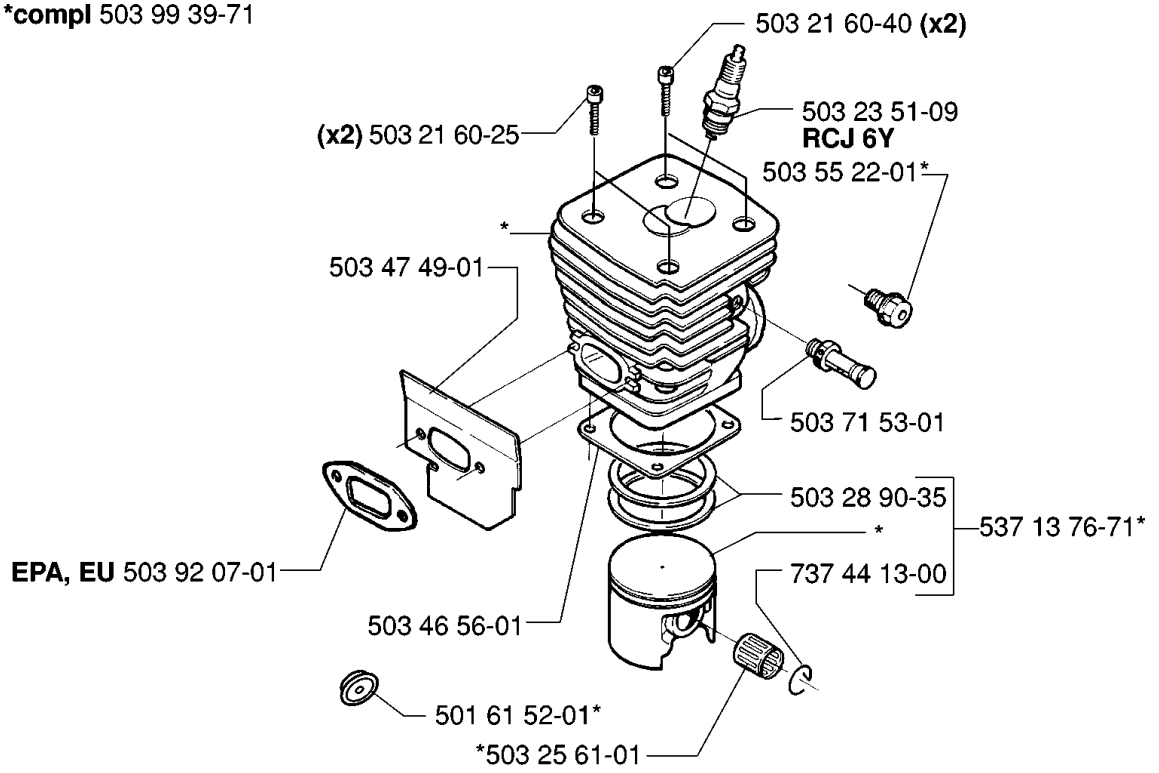


CARBURETOR & AIR FILTER

395 XP, 20070100001-Current

Part No	Description	Remark	QTY KIT
503 20 06-08	SCREW IHSCFM		1
503 22 65-03	SQUARE NUT		1
503 28 04-10	CARBURETTOR		1
503 28 04-14	CARBURETTOR		1
503 40 06-07	IMPULSE HOSE		1
503 56 00-06	HOSE CLAMP		1
503 56 00-07	HOSE CLAMP		1
503 68 41-01	LEVER		1
503 70 11-01	TUBE		1
503 96 22-01	SUPPORT SLEEVE		1
503 96 94-01	SEALING COLLAR		1
503 96 96-01	FILTER HOLDER		1
503 96 97-01	INLET PIPE		1
503 97 39-01	FLANGE		1
503 97 48-01	GUIDE BUSHING		1
537 44 44-01	AIR FILTER ASSY		1
537 44 44-02	AIR FILTER ASSY		1
537 44 44-03	AIR FILTER ASSY		1
725 53 09-55	SCREW IHSCM		1

F *compl 503 99 39-71

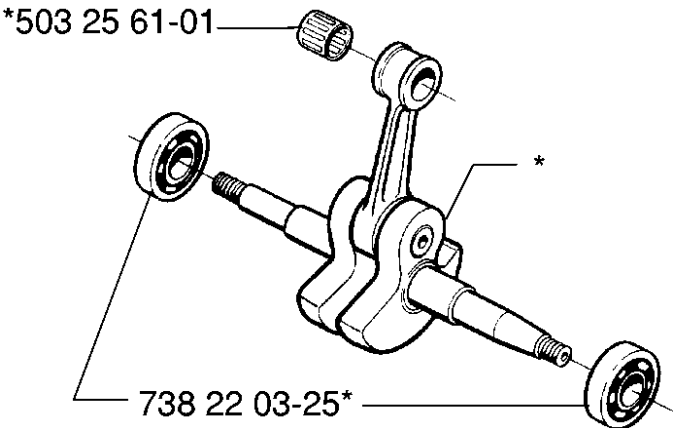


CYLINDER PISTON

395 XP, 20070100001-Current

Part No	Description	Remark	QTY KIT
501 61 52-01	PLUG		1
503 21 60-25	SCREW		2
503 21 60-40	SCREW		2
503 23 51-09	SPARK PLUG		1
503 25 61-01	NEEDLE BEARING		1
503 28 90-35	PISTON RING		1
503 46 56-01	GASKET		1
503 47 49-01	HEAT DEFLECTOR		1
503 55 22-01	PLUG		1
503 71 53-01	DECOMPRESSION VALVE		1
503 92 07-01	GASKET		1
503 99 39-71	CYLINDER		1
537 13 76-71	PISTON ASSY		1
737 44 13-00	CIRCLIP		1

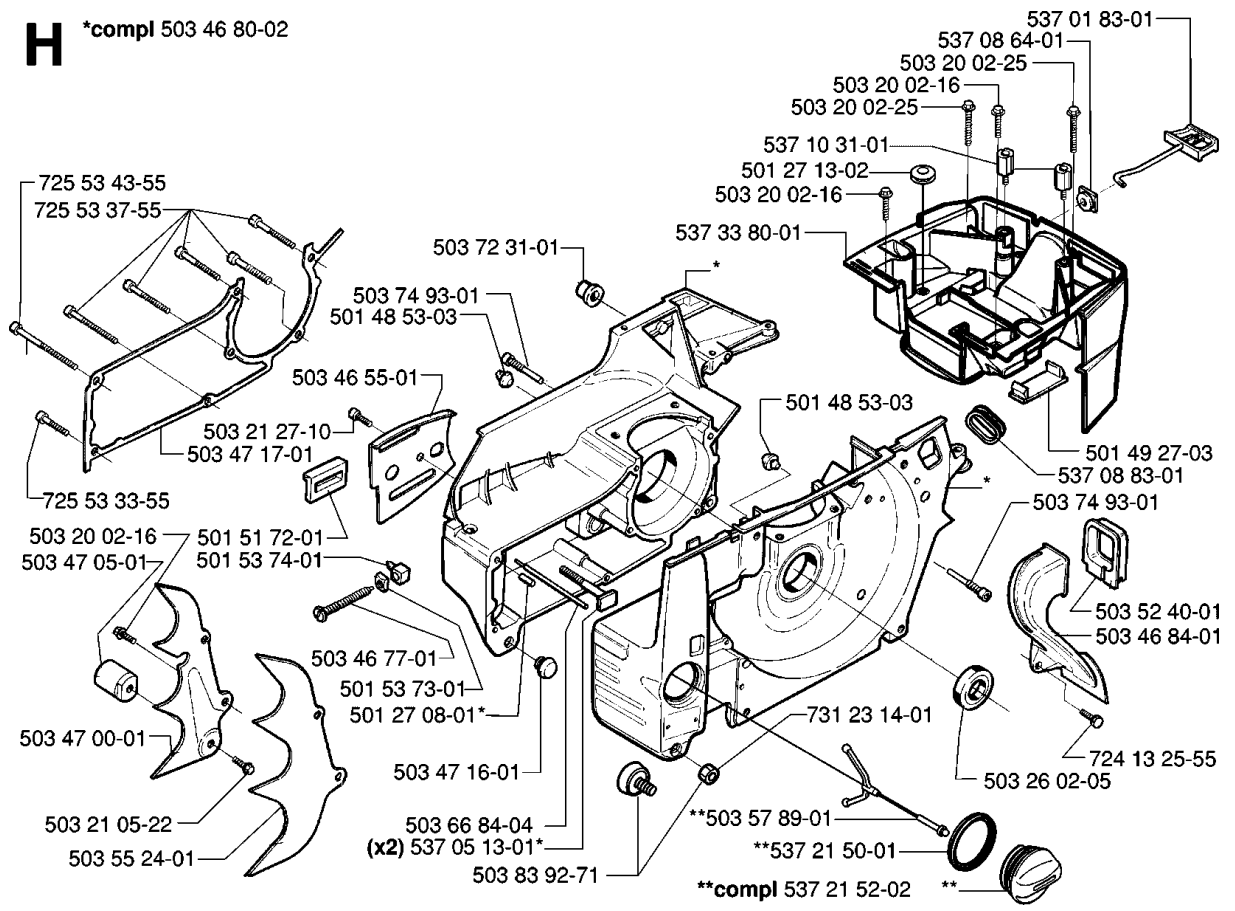
G *compl 537 09 05-71



CRANKSHAFT

395 XP, 20070100001-Current

Part No	Description	Remark	QTY KIT
503 25 61-01	NEEDLE BEARING		1
537 09 05-71	CRANKSHAFT ASSY		1
738 22 03-25	BALL BEARING		1

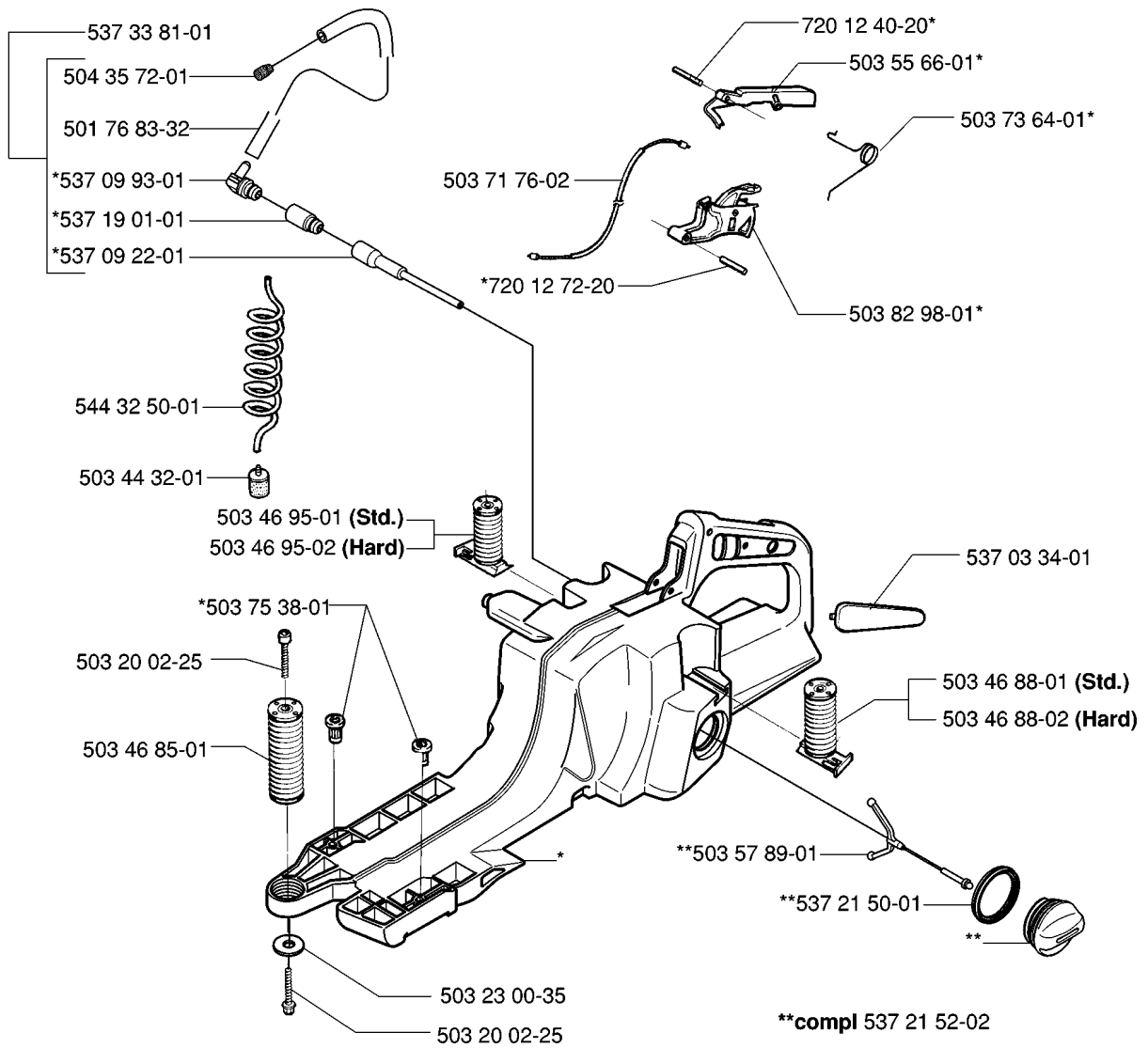


CRANKCASE

395 XP, 20070100001-Current

Part No	Description	Remark	QTY KIT
501 27 08-01	GUIDE BUSHING		1
501 27 13-02	CABLE GROMMET		1
501 48 53-03	BUFFER		1
501 48 53-03	BUFFER		1
501 49 27-03	COVER		1
501 51 72-01	CHAIN GUIDE		1
501 53 73-01	LOCK NUT		1
501 53 74-01	PAWL		1
503 20 02-16	SCREW IHSCFM		1
503 20 02-16	SCREW IHSCFM		1
503 20 02-16	SCREW IHSCFM		1
503 20 02-25	SCREW IHSCFM		1
503 20 02-25	SCREW IHSCFM		1
503 21 05-22	SCREW IHSCFM		1
503 21 27-10	SCREW CCRPANT		1
503 26 02-05	SEALING RING		1
503 46 55-01	PROTECTIVE PLATE		1
503 46 77-01	SCREW		1
503 46 80-02	CRANKCASE ASSY		1
503 46 84-01	AIR NOZZLE		1
503 47 00-01	SPIKE		1
503 47 05-01	CHAIN CATCHER		1
503 47 16-01	BUFFER		1
503 47 17-01	GASKET		1
503 52 40-01	GROMMET		1
503 55 24-01	SPIKE		1
503 57 89-01	HOLDER		1
503 66 84-04	TANK VENT ASSY		1
503 72 31-01	BUSHING		1
503 74 93-01	SCREW		1
503 74 93-01	SCREW		1
503 83 92-71	SUPPORT		1
537 01 83-01	CHOKE CONTROL		1
537 05 13-01	BAR BOLT		2
537 08 64-01	GROMMET		1
537 08 83-01	GROMMET		1
537 10 31-01	ANTIVIBRATION ELEMENT		1
537 21 50-01	SEALING		1
537 21 52-02	TANK CAP ASSY		1
537 33 80-01	CARBURETTOR		1
724 13 25-55	SCREW CRPANM		1
725 53 33-55	SCREW IHSCM		1
725 53 37-55	SCREW IHSCM		1
725 53 43-55	SCREW IHSCM		1
731 23 14-01	HEXAGON NUT		1

K *compl 503 47 34-02

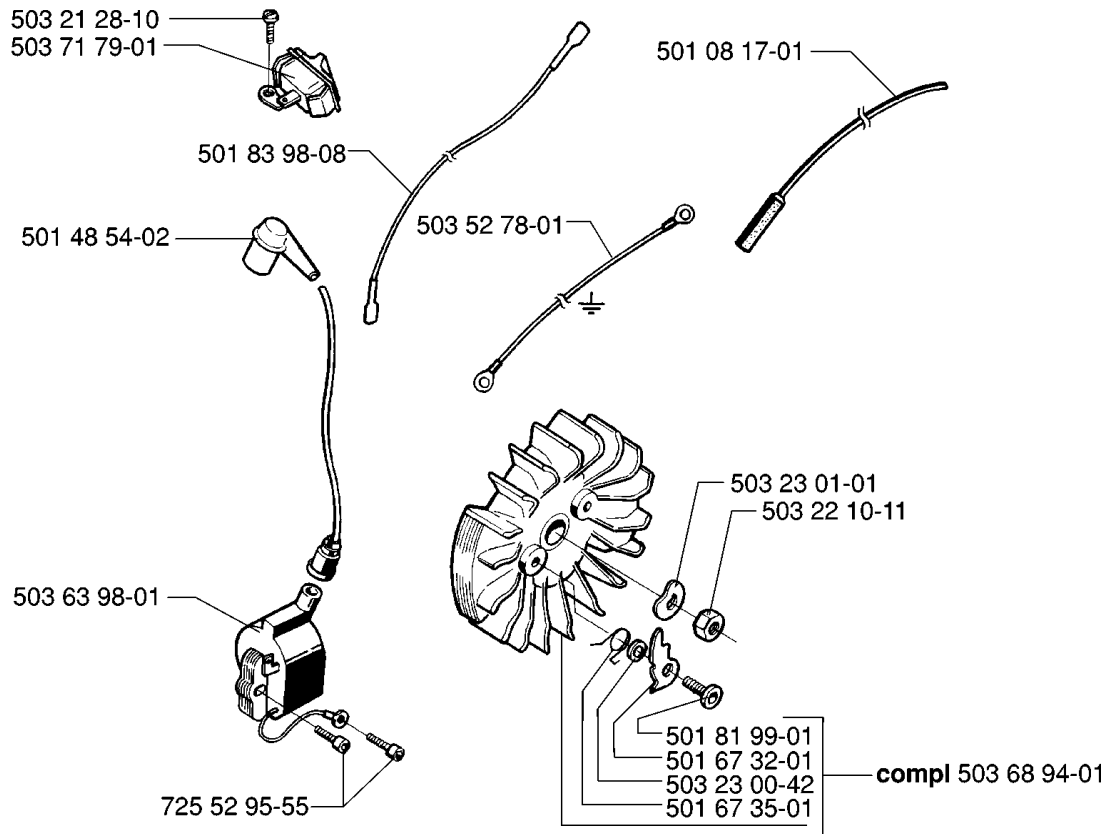


FUEL TANK

395 XP, 20070100001-Current

Part No	Description	Remark	QTY KIT
501 76 83-32	FUEL HOSE		1
503 20 02-25	SCREW IHSCFM		1
503 20 02-25	SCREW IHSCFM		1
503 23 00-35	WASHER		1
503 44 32-01	FUEL FILTER		1
503 46 85-01	ANTIVIBRATION ELEMENT		1
503 46 88-01	ANTIVIBRATION ELEMENT		1
503 46 88-02	ANTIVIBRATION ELEMENT		1
503 46 95-01	ANTIVIBRATION ELEMENT		1
503 46 95-02	ANTIVIBRATION ELEMENT		1
503 47 34-02	FUEL TANK		1
503 55 66-01	THROTTLE LOCKOUT		1
503 57 89-01	HOLDER		1
503 71 76-02	THROTTLE CABLE ASSY		1
503 73 64-01	SPRING		1
503 75 38-01	THREAD INSERT		1
503 82 98-01	TRIGGER		1
504 35 72-01	PLUG		1
537 03 34-01	HANDLE INSERT		1
537 09 22-01	TANK VENT ASSY		1
537 09 93-01	CONNECTION BEND		1
537 19 01-01	ADAPTER		1
537 21 50-01	SEALING		1
537 21 52-02	TANK CAP ASSY		1
537 33 81-01	TANK VENT ASSY		1
544 32 50-01	FUEL HOSE		1
720 12 40-20	PARALLEL PIN		1
720 12 72-20	PARALLEL PIN		1

L

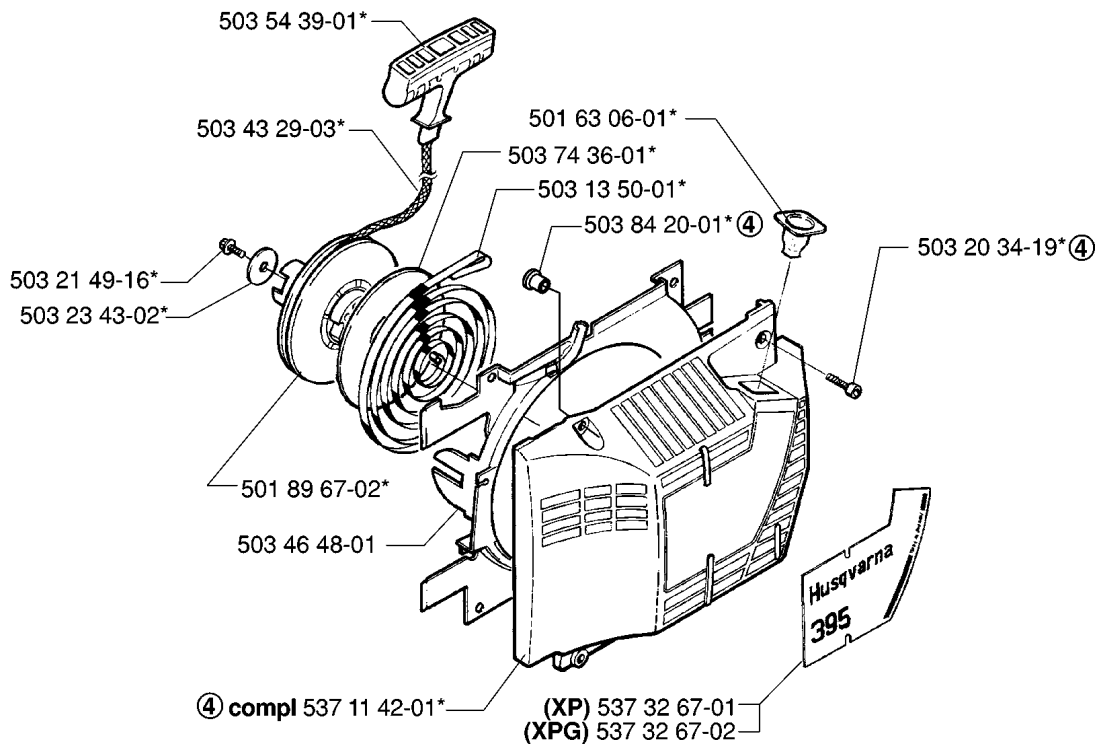


IGNITION SYSTEM

395 XP, 20070100001-Current

Part No	Description	Remark	QTY KIT
501 08 17-01	IGNITION CABLE		1
501 48 54-02	SPARK PLUG CAP		1
501 67 32-01	PAWL		1
501 67 35-01	SPRING		1
501 81 99-01	SCREW		1
501 83 98-08	CABLE		1
503 21 28-10	SCREW CCRPANT		1
503 22 10-11	HEXAGON NUT		1
503 23 00-42	WASHER		1
503 23 01-01	WASHER		1
503 52 78-01	WIRE		1
503 63 98-01	IGNITION MODULE		1
503 68 94-01	FLYWHEEL ASSY		1
503 71 79-01	STOP SWITCH		1
725 52 95-55	SCREW IHSCM		1

M *compl 503 46 24-02

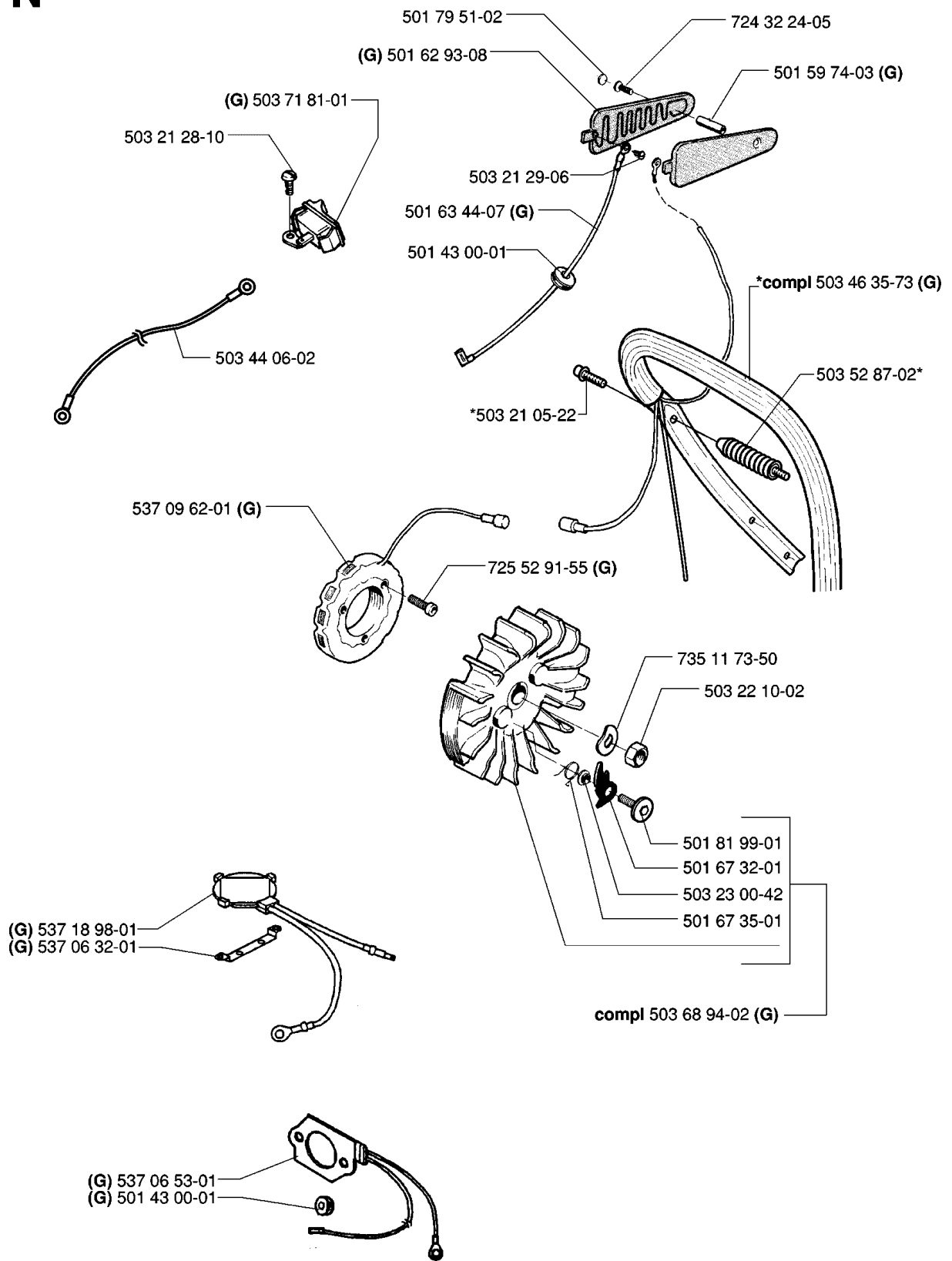


STARTER

395 XP, 20070100001-Current

Part No	Description	Remark	QTY KIT
501 63 06-01	SLEEVE		1
501 89 67-02	STARTER PULLEY		1
503 13 50-01	RECOIL SPRING		1
503 20 34-19	SCREW CCRPANMO		1
503 21 49-16	SCREW IHSCFT		1
503 23 43-02	WASHER		1
503 43 29-03	STARTER CORD		1
503 46 24-02	STARTER ASSY		1
503 46 48-01	AIR CONDUCTOR		1
503 54 39-01	STARTER HANDLE		1
503 74 36-01	DISC		1
503 84 20-01	SLEEVE		1
537 11 42-01	STARTER HOUSING		1
537 32 67-01	LABEL		1
537 32 67-02	LABEL		1

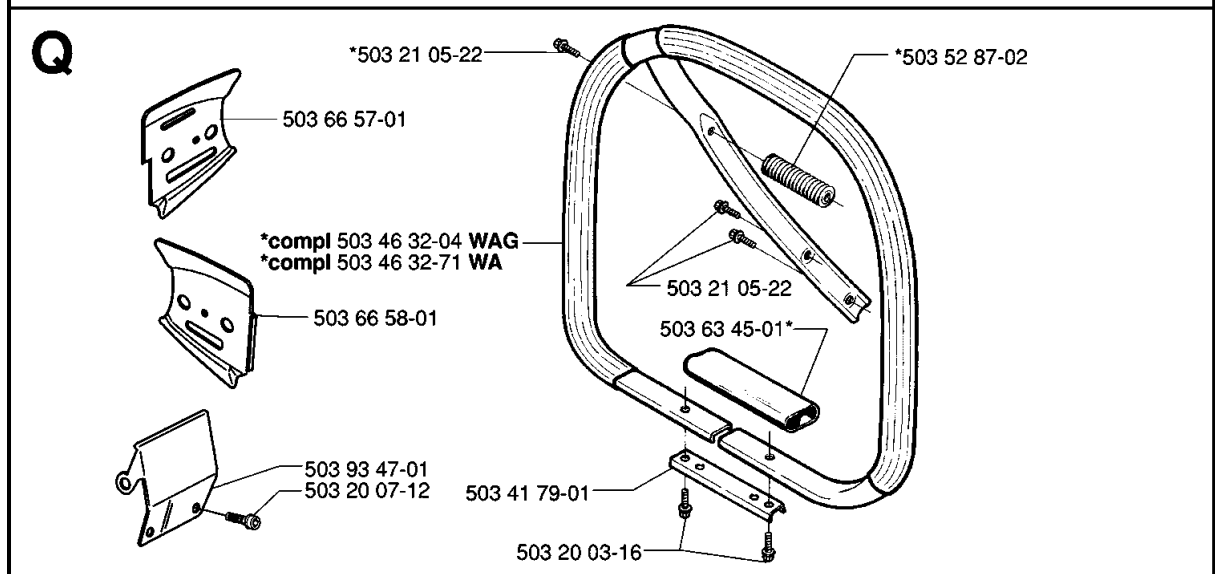
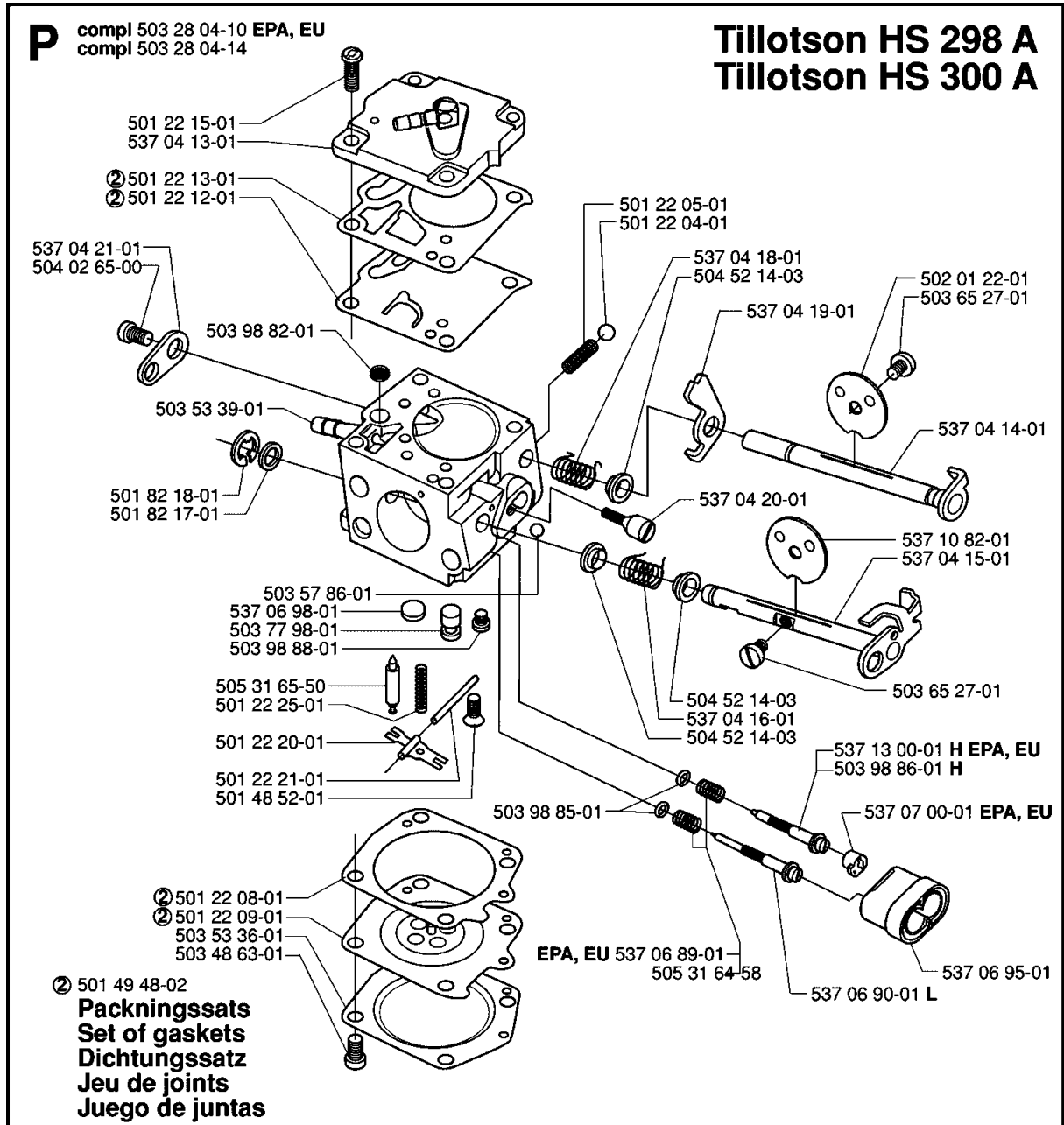
N



HANDLES HEATED

395 XP, 20070100001-Current

Part No	Description	Remark	QTY KIT
501 43 00-01	CABLE GROMMET		1
501 43 00-01	CABLE GROMMET		1
501 59 74-03	SPACER		1
501 62 93-08	HANDLE INSERT		1
501 63 44-07	CABLE		1
501 67 32-01	PAWL		1
501 67 35-01	SPRING		1
501 79 51-02	COVER WASHER		1
501 81 99-01	SCREW		1
503 21 05-22	SCREW IHSC T		1
503 21 28-10	SCREW CCRPANT		1
503 21 29-06	SCREW CCRPANT		1
503 22 10-02	HEXAGON NUT		1
503 23 00-42	WASHER		1
503 44 06-02	GROUND CABLE		1
503 46 35-73	FRONT HANDLE ASSY		1
503 52 87-02	INSULATOR		1
503 68 94-02	FLYWHEEL ASSY		1
503 71 81-01	SWITCH		1
537 06 32-01	RETAINER		1
537 06 53-01	FOIL ELEMENT		1
537 09 62-01	STATOR ASSY		1
537 18 98-01	THERMOSTAT ASSY		1
724 32 24-05	SCREW CRCSFM		1
725 52 91-55	SCREW IHSCM		1
735 11 73-50	SPRING WASHER		1

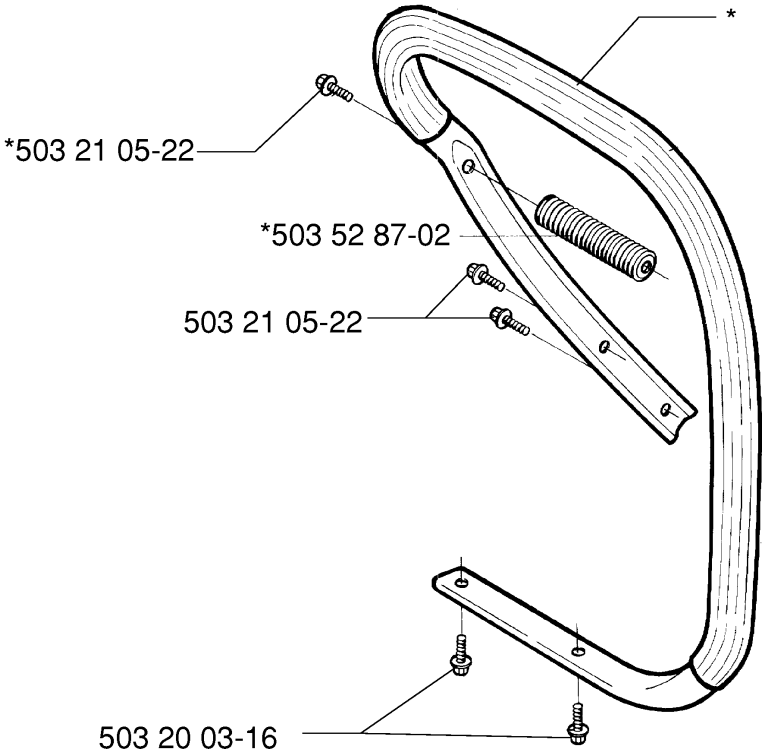


CARBURETOR

395 XP, 20070100001-Current

Part No	Description	Remark	QTY KIT
501 22 04-01	BALL		1
501 22 05-01	SPRING		1
501 22 08-01	GASKET		1
501 22 09-01	DIAPHRAGM		1
501 22 12-01	DIAGRAM		1
501 22 13-01	GASKET		1
501 22 15-01	SCREW		1
501 22 20-01	LEVER		1
501 22 21-01	PIN		1
501 22 25-01	SPRING		1
501 48 52-01	SCREW		1
501 82 17-01	WASHER		1
501 82 18-01	THROTTLE SH."E"RING		1
502 01 22-01	VALVE		1
503 28 04-10	CARBURETTOR		1
503 28 04-14	CARBURETTOR		1
503 48 63-01	SCREW		1
503 53 36-01	DIAPHRAGM		1
503 53 39-01	TUBE CONNECTOR		1
503 57 86-01	BALL		1
503 65 27-01	SCREW SHUTTER		1
503 65 27-01	SCREW SHUTTER		1
503 77 98-01	CHECKVALVE ASSY		1
503 98 82-01	SCREEN		1
503 98 85-01	RING		1
503 98 86-01	NEEDLE		1
503 98 88-01	JET		1
504 02 65-00	SCREW		1
504 52 14-03	THRO.RETU.SPR.SLEEVE		1
504 52 14-03	THRO.RETU.SPR.SLEEVE		1
504 52 14-03	THRO.RETU.SPR.SLEEVE		1
505 31 64-58	IDLE MIXTURE SPRING		1
505 31 65-50	NEEDLE		1
537 04 13-01	FUEL PUMP COVER		1
537 04 14-01	CHOKE LEVER		1
537 04 15-01	SHAFT ASSY		1
537 04 16-01	SPRING		1
537 04 18-01	SPRING		1
537 04 19-01	LEVER		1
537 04 20-01	IDLE SPEED SCREW		1
537 04 21-01	CHOKE LEVER		1
537 06 89-01	SPRING		1
537 06 90-01	NEEDLE		1
537 06 95-01	MODULE		1
537 06 98-01	PLUG WELCH		1
537 07 00-01	LIMITER CAP		1
537 10 82-01	THROTTLE SHUTTER		1
537 13 00-01	NEEDLE		1

J *compl 503 46 35-71

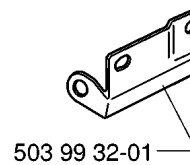
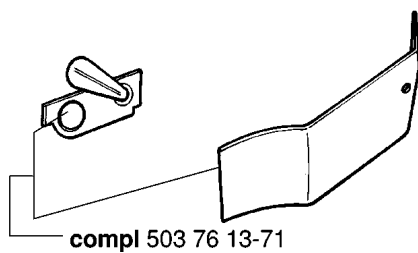
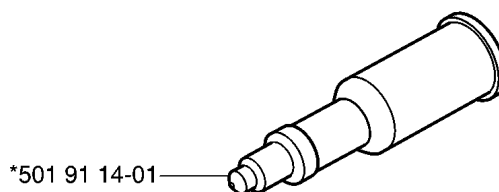
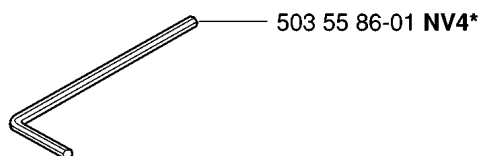
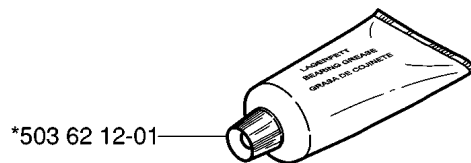
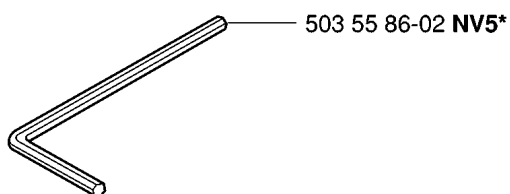
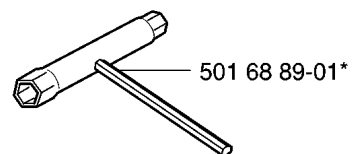
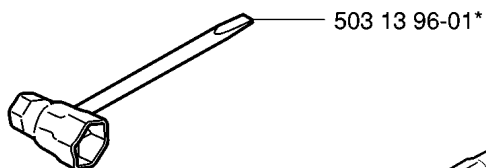


HANDLE

395 XP, 20070100001-Current

Part No	Description	Remark	QTY KIT
503 20 03-16	SCREW IHSCFM		1
503 21 05-22	SCREW IHST		1
503 46 35-71	FRONT HANDLE ASSY		1
503 52 87-02	INSULATOR		1

R Tillbehör
Accessories
Zubehöre
Accessoires
Accesorios
*compl 503 55 85-02



ACCESSORIES

395 XP, 20070100001-Current

Part No	Description	Remark	QTY KIT
501 68 89-01	COMBINATION WRENCH		1
501 91 14-01	GREASE GUN		1
503 13 96-01	COMBINATION WRENCH		1
503 55 85-02	TOOL KIT		1
503 55 86-01	SPANNER		1
503 55 86-02	SPANNER		1
503 62 12-01	GREASE		1
503 76 13-71	WINTER KIT		1
503 99 32-01	PROTECTIVE PLATE		1