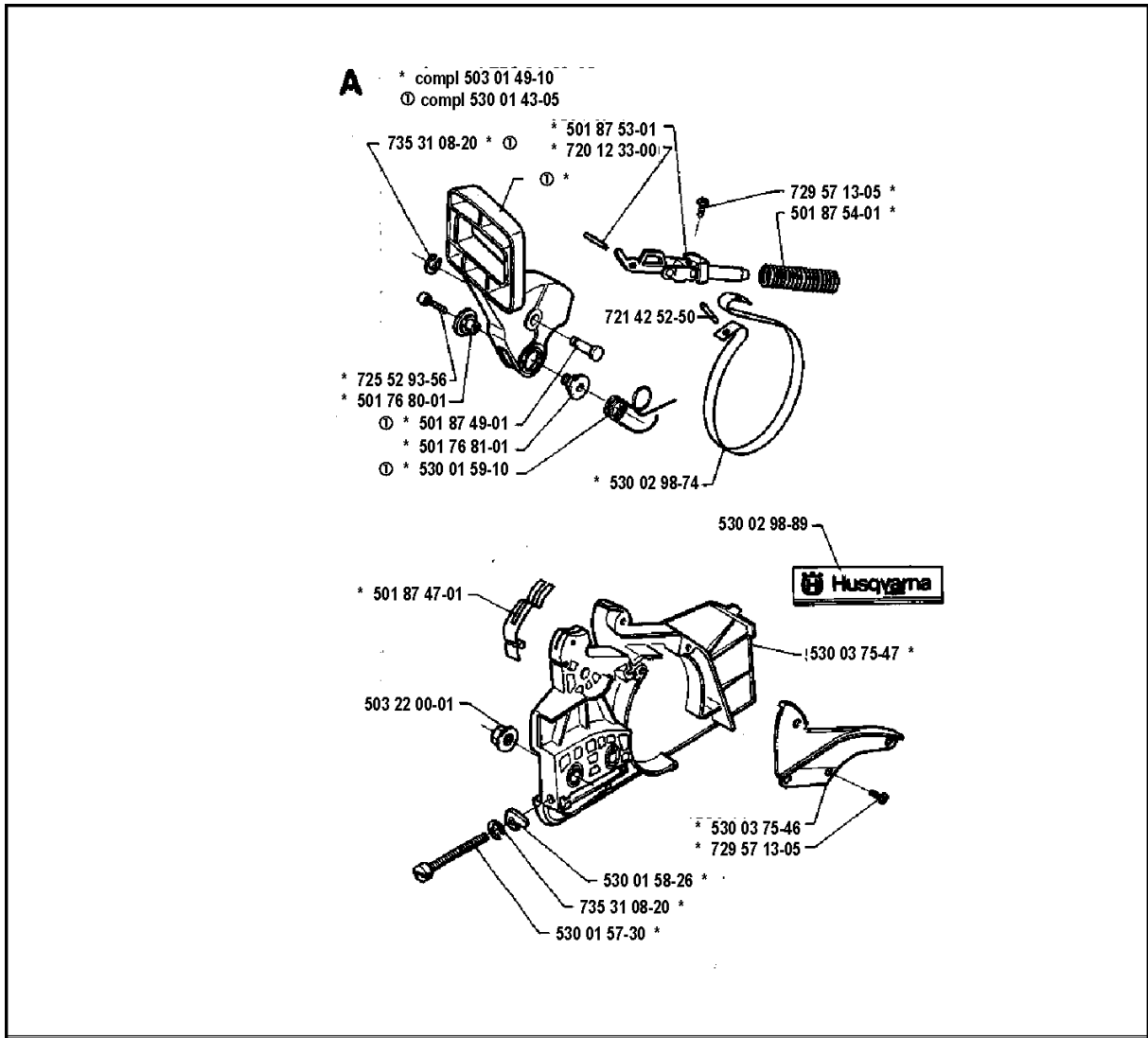




# SPARE PARTS LIST

CHAIN SAWS

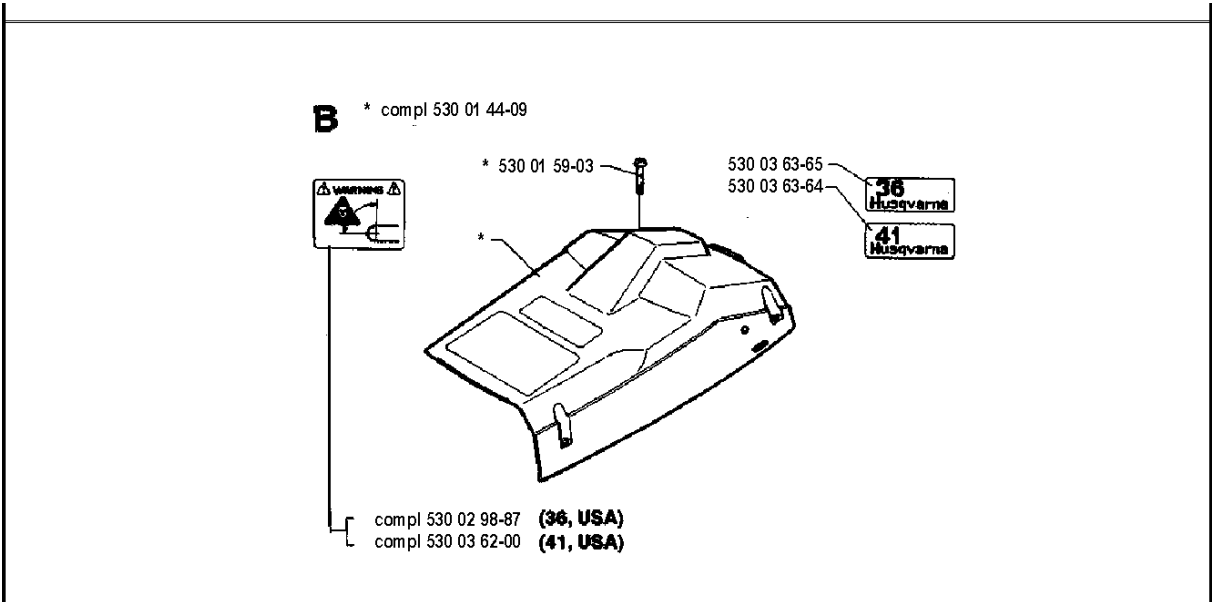
41, 19941800001-Current



## CHAIN BRAKE

41, 19941800001-Current

Ref	Part No	Description	Remark	QTY KIT
503 01 49-10	530 05 31-73	CHAIN BRAKE		1
530 01 43-05	530 01 43-05	HAND GUARD		1
735 31 08-20	735 31 08-20	E-CLIP		1
725 52 93-56	725 52 93-56	SCREW IHSCM		1
501 76 80-01	501 76 80-01	SHAFT		1
501 87 49-01	501 87 49-01	PIVOT PIN		1
501 76 81-01	501 76 81-01	SHAFT		1
530 01 59-10	530 01 59-10	SPRING		1
501 87 47-01	501 87 47-01	SPRING		1
503 22 00-01	503 22 00-01	HEXAGON NUT		1
530 01 57-30	530 01 57-30	SCREW		1
735 31 08-20	735 31 08-20	E-CLIP		1
530 01 58-26	530 01 58-26	PEN		1
729 57 13-05	729 57 13-05	SCREW CRPANT		1
530 03 75-46	530 03 75-46	COVER		1
530 03 75-47	530 03 75-47	CLUTCH COVER		1
530 02 98-89	530 02 98-89	DECAL		1
530 02 98-74	530 02 98-74	BRAKE BAND		1
721 42 52-50	721 42 52-50	SPRING PIN		1
501 87 54-01	501 87 54-01	BRAKE SPRING		1
729 57 13-05	729 57 13-05	SCREW CRPANT		1
720 12 33-00	720 12 33-00	PARALLEL PIN		1
501 87 53-01	501 87 53-01	KNEE JOINT ASSY		1

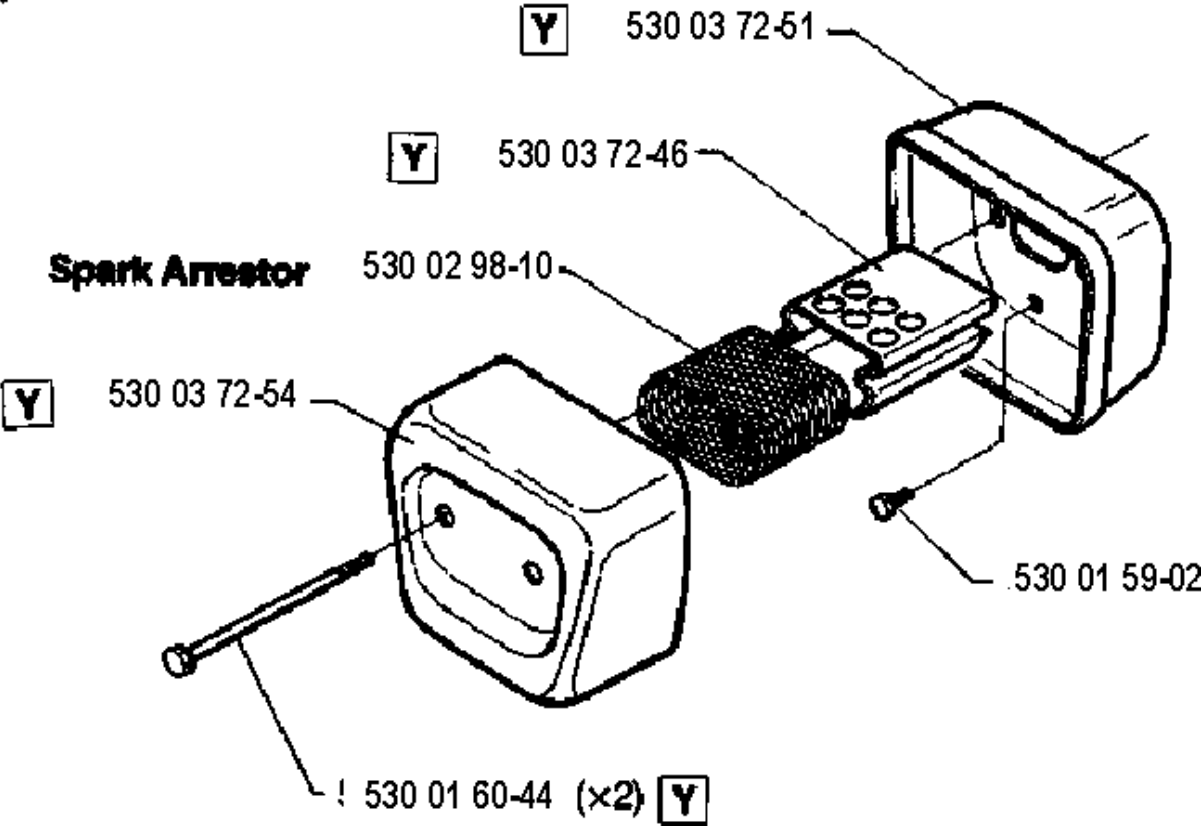


## COVER

41, 19941800001-Current

Part No	Description	Remark	QTY KIT
530 01 44-09	COVER		1
530 01 59-03	SCREW		1
530 02 98-87	DECAL	36, USA	1
530 03 62-00	DECAL	41, USA	1
530 03 63-64	DECAL		1
530 03 63-65	DECAL		1

**F**

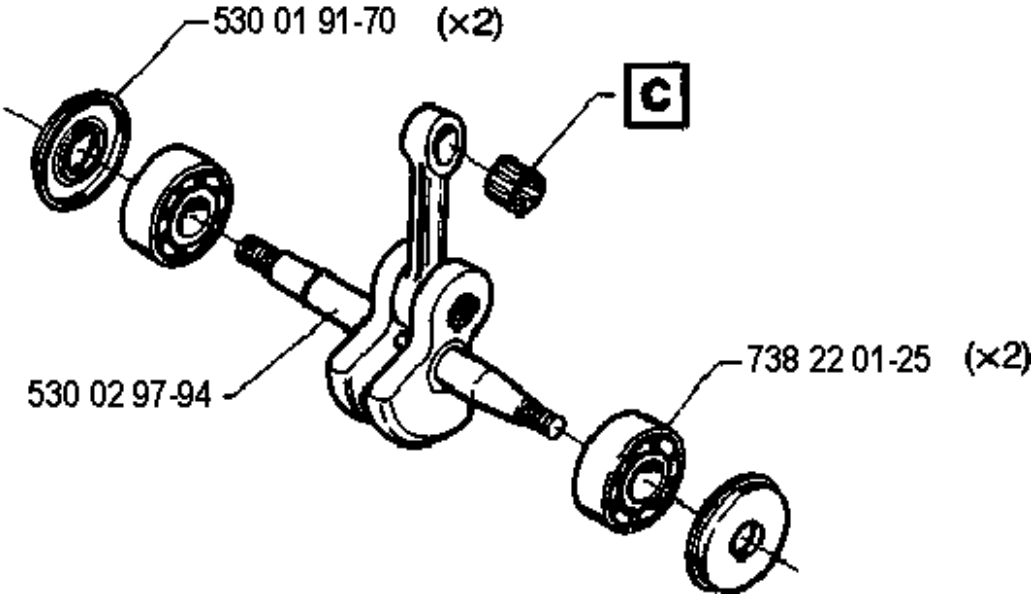


MUFFLER

41, 19941800001-Current

Part No	Description	Remark	QTY KIT
530 01 59-02	SCREW		1
530 01 60-44	BOLT		2
530 02 98-10	SCREEN	SPARK ARRESTOR	1
530 03 72-46	FLAME PROTECTION		1
530 03 72-51	MUFFLER		1
530 03 72-54	MUFFLER		1

**G**

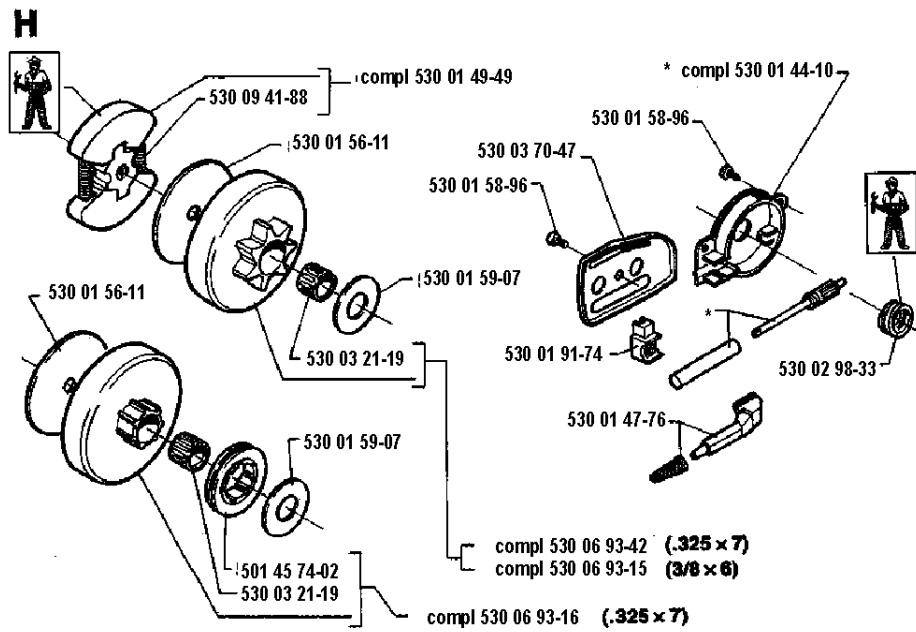




CRANKSHAFT

41, 19941800001-Current

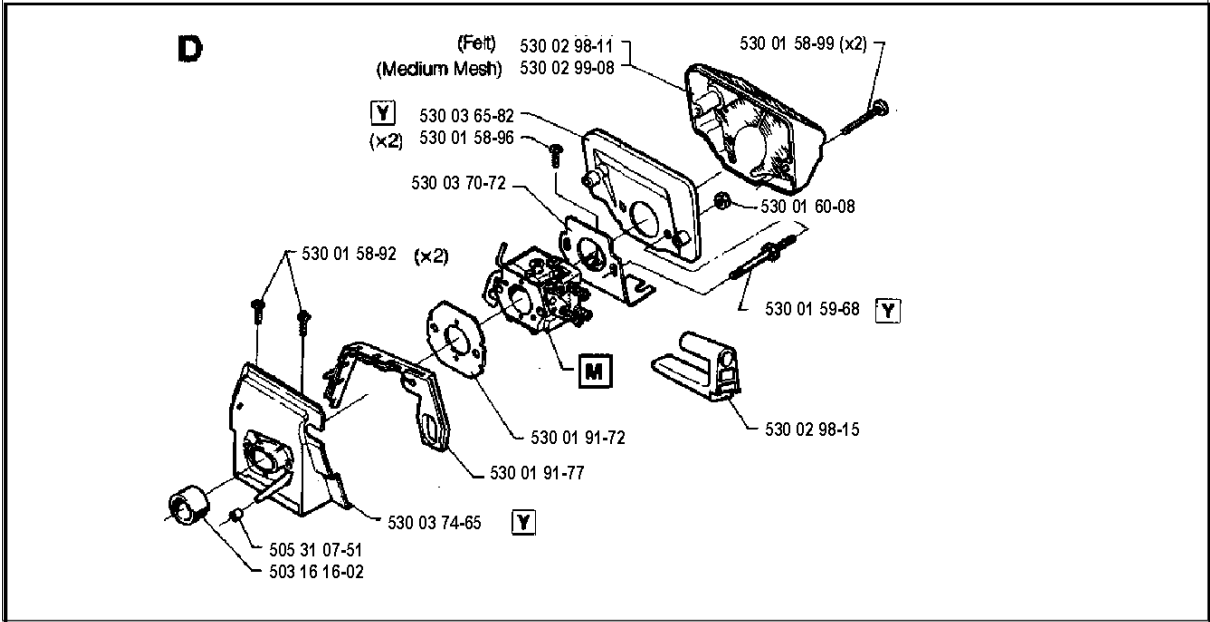
Part No	Description	Remark	QTY KIT
530 01 91-70	SEALING		2
530 02 97-94	CRANKSHAFT		1
738 22 01-25	BALL BEARING		2



## CLUTCH &amp; OIL PUMP

41, 19941800001-Current

Part No	Description	Remark	QTY KIT
501 45 74-02	RIM		1
530 01 44-10	OIL PUMP		1
530 01 47-76	OIL PICK-UP		1
530 01 49-49	CLUTCH		1
530 01 56-11	WASHER		1
530 01 56-11	WASHER		1
530 01 58-96	SCREW		1
530 01 58-96	SCREW		1
530 01 59-07	WASHER		1
530 01 59-07	WASHER		1
530 01 91-74	SEALING		1
530 02 98-33	PUMP		1
530 03 21-19	BUSHING		1
530 03 21-19	BUSHING		1
530 03 70-47	CHAIN GUIDE		1
530 06 93-15	CLUTCH DRUM	3/8X6	1
530 06 93-16	CLUTCH DRUM	.325X7	1
530 06 93-42	CLUTCH DRUM	.325X7	1
530 09 41-88	SPRING		1



## CARBURETOR &amp; AIR FILTER

41, 1994180001-Current

Part No	Description	Remark	QTY KIT
503 16 16-02	INLET PIPE		1
505 31 07-51	IMPULSE HOSE		1
530 01 58-92	SCREW		2
530 01 58-96	SCREW		2
530 01 58-99	SCREW		2
530 01 59-68	SCREW		1
530 01 60-08	NUT		1
530 01 91-72	GASKET		1
530 01 91-77	SEALING		1
530 02 98-11	AIR FILTER	FELT	1
530 02 98-15	GUIDE		1
530 02 99-08	AIR FILTER	MEDIUM MESH	1
530 03 65-82	HOLDER		1
530 03 70-72	SUPPORT		1
530 03 74-65	ADAPTER		1

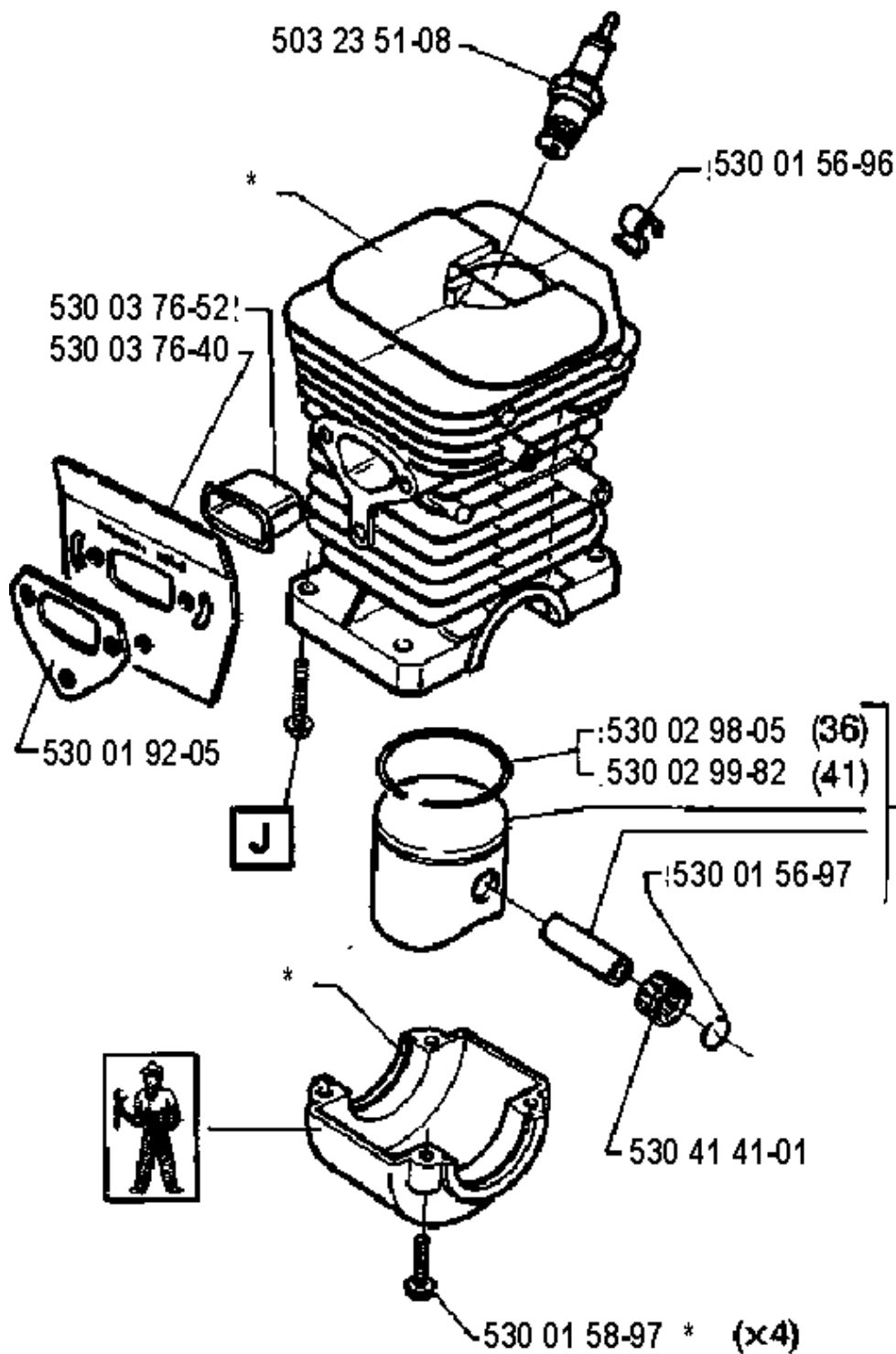


## FUEL TANK &amp; HANDLE

41, 1994180001-Current

Part No	Description	Remark	QTY KIT
501 62 87-01	ANTIVIBRATION ELEMENT		4
501 81 96-02	TANK CAP ASSY		1
501 91 89-02	SUPPORT		1
503 26 30-11	O-RING		1
503 57 89-01	HOLDER		1
530 01 41-99	FUEL FILTER		1
530 01 42-90	HANDLE		1
530 01 48-84	TANK		1
530 01 59-05	SCREW		1
530 01 59-06	SCREW		1
530 02 10-82	HOSE		1
530 02 61-19	CHECK VALVE		1
530 02 98-60	SCREW		1
530 02 98-61	SPRING		1
530 02 98-63	HUB CAP		1
530 02 98-68	PLUG		1
530 02 98-69	THROTTLE ROD		1
530 02 99-84	LIMITER		2
530 06 95-87	THROTTLE TRIGGER		1

- C** \* compl 530 06 94-17 **(36, ø 38 mm)** **Y**  
 \* compl 530 06 94-14 **(41, ø 40 mm)** **Y**



- compl 530 06 93-17 **(36)**  
 compl 530 06 94-54 **(41)**

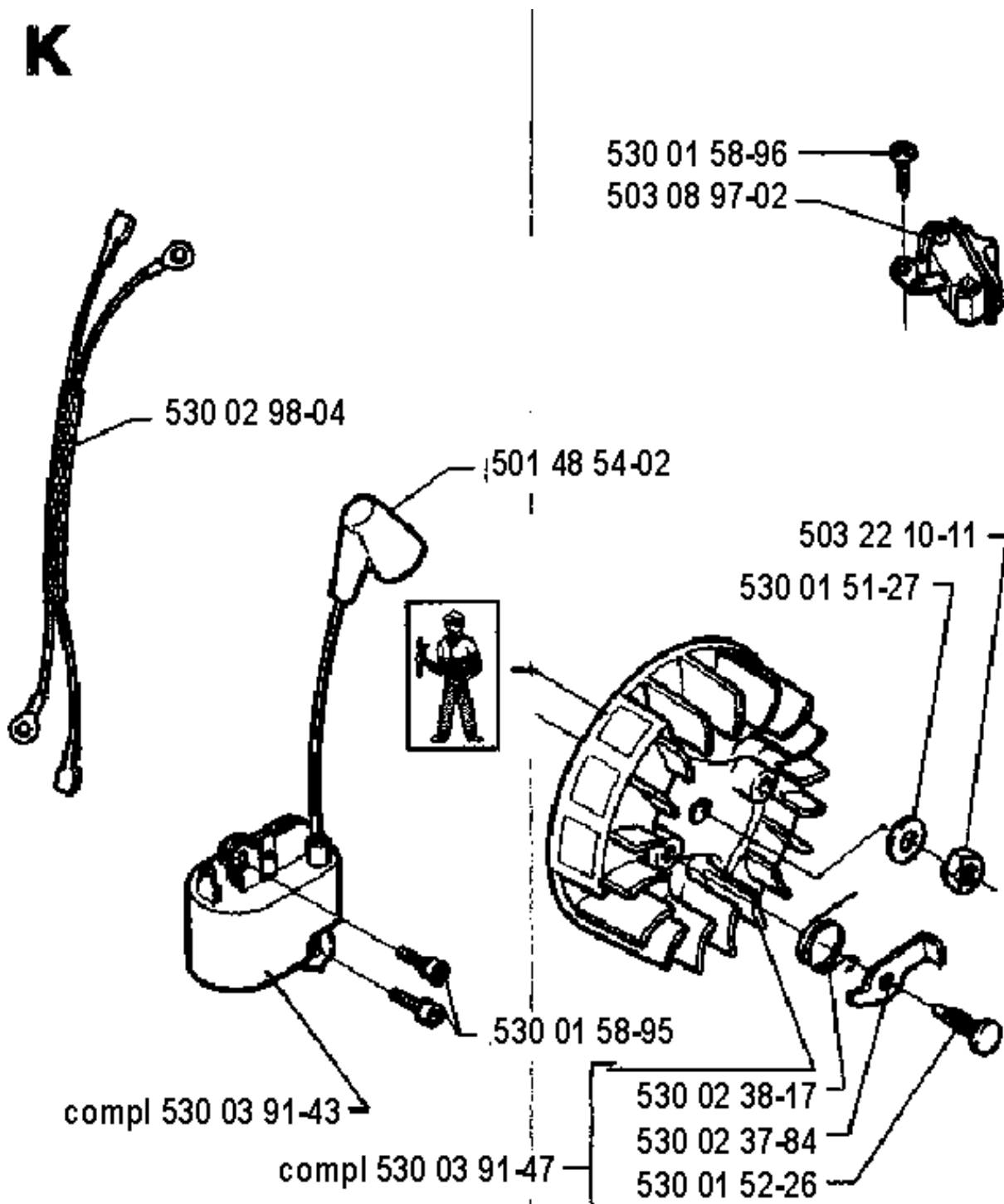


## CYLINDER PISTON

41, 19941800001-Current

Part No	Description	Remark	QTY KIT
503 23 51-08	SPARK PLUG		1
530 01 56-96	CABLE CLAMP		1
530 01 56-97	LOCKING RING		1
530 01 58-97	SCREW		4
530 01 92-05	GASKET		1
530 02 98-05	PISTON RING	36	1
530 02 99-82	PISTON RING	41	1
530 03 76-40	PLATE		1
530 03 76-52	DEFLECTOR		1
530 06 93-17	PISTON ASSY	36	1
530 06 94-14	CYLINDER/CRANKCASE	41, DIA. 40 MM	1
530 06 94-17	CYLINDER/CRANKCASE	36, DIA. 38 MM	1
530 06 94-54	PISTON	41	1
530 41 41-01	ILLUSTRATED PARTS LIST		1

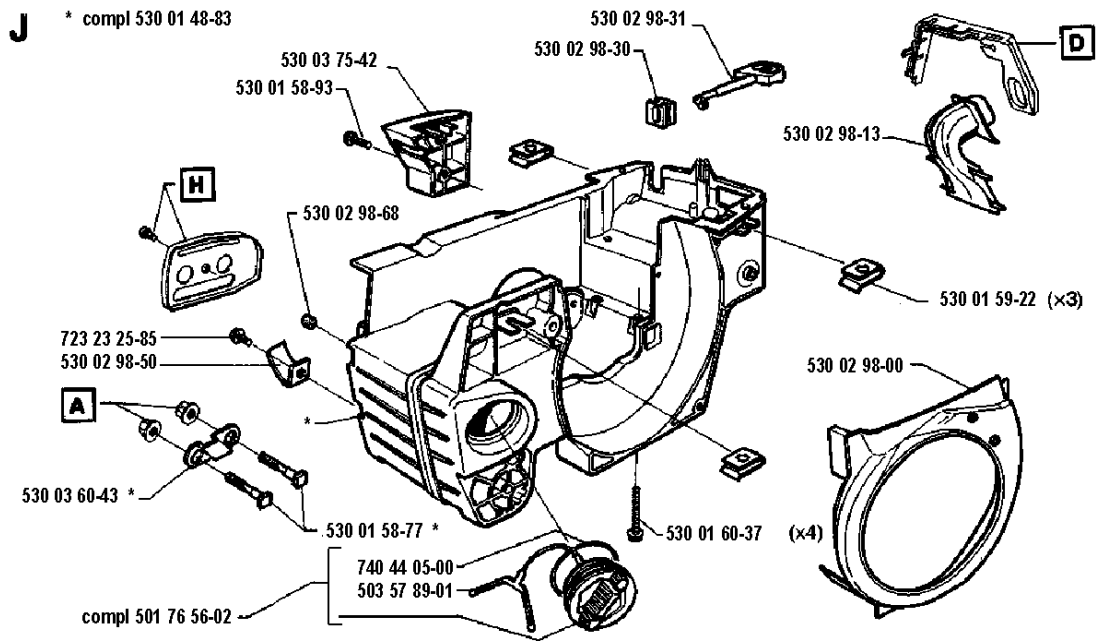
**K**



## IGNITION SYSTEM

41, 19941800001-Current

Part No	Description	Remark	QTY KIT
501 48 54-02	SPARK PLUG CAP		1
503 08 97-02	STOP SWITCH		1
503 22 10-11	HEXAGON NUT		1
530 01 51-27	WASHER		1
530 01 52-26	PEN		1
530 01 58-95	SCREW		1
530 01 58-96	SCREW		1
530 02 37-84	PAWL		1
530 02 38-17	SPRING		1
530 02 98-04	CABLE		1
530 03 91-43	IGNITION MODULE		1
530 03 91-47	FLYWHEEL ASSY		1



## CRANKCASE

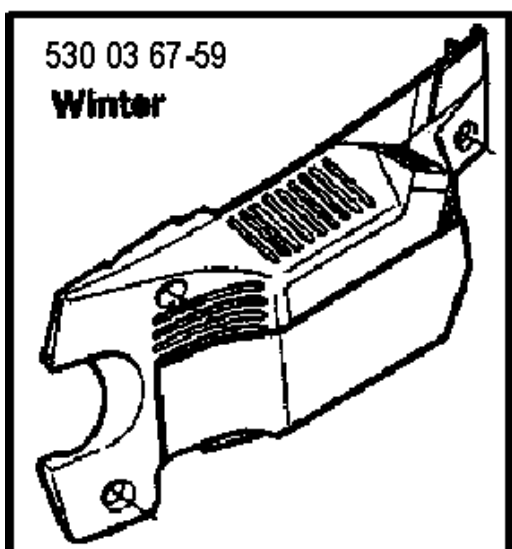
41, 1994180001-Current

Part No	Description	Remark	QTY KIT
501 76 56-02	TANK CAP ASSY		1
503 57 89-01	HOLDER		1
530 01 48-83	CRANKCASE ASSY		1
530 01 58-77	BOLT		1
530 01 58-93	SCREW		1
530 01 59-22	NUT		3
530 01 60-37	SCREW		4
530 02 98-00	AIR CONDUCTOR		1
530 02 98-13	JET		1
530 02 98-30	GUIDE		1
530 02 98-31	CHOKE CONTROL		1
530 02 98-50	CHAIN CATCHER		1
530 02 98-68	PLUG		1
530 03 60-43	SUPPORT		1
530 03 75-42	COVER		1
723 23 25-85	SCREW SLPANM		1
740 44 05-00	O-RING		1



506 02 39-02

**VEG.OIL**



530 01 59-06 \*

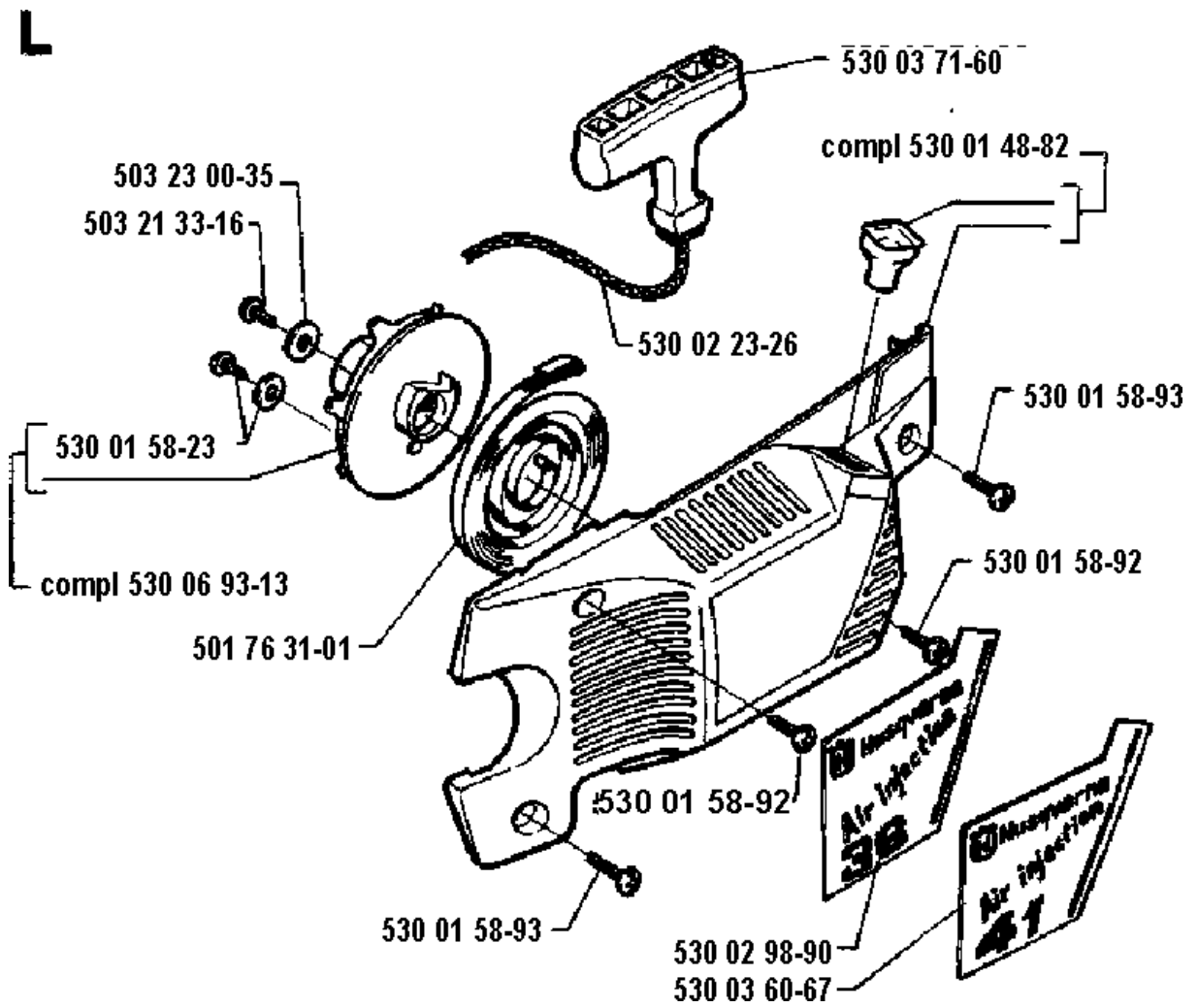
\* compl 530 01 43-81



## ACCESSORIES

41, 19941800001-Current

Part No	Description	Remark	QTY KIT
506 02 39-02	PUMP PISTON	VEG.OIL	1
530 01 43-81	FELLING DOG		1
530 01 59-06	SCREW		1
530 03 67-59	PROTECTOR	WINTER	1





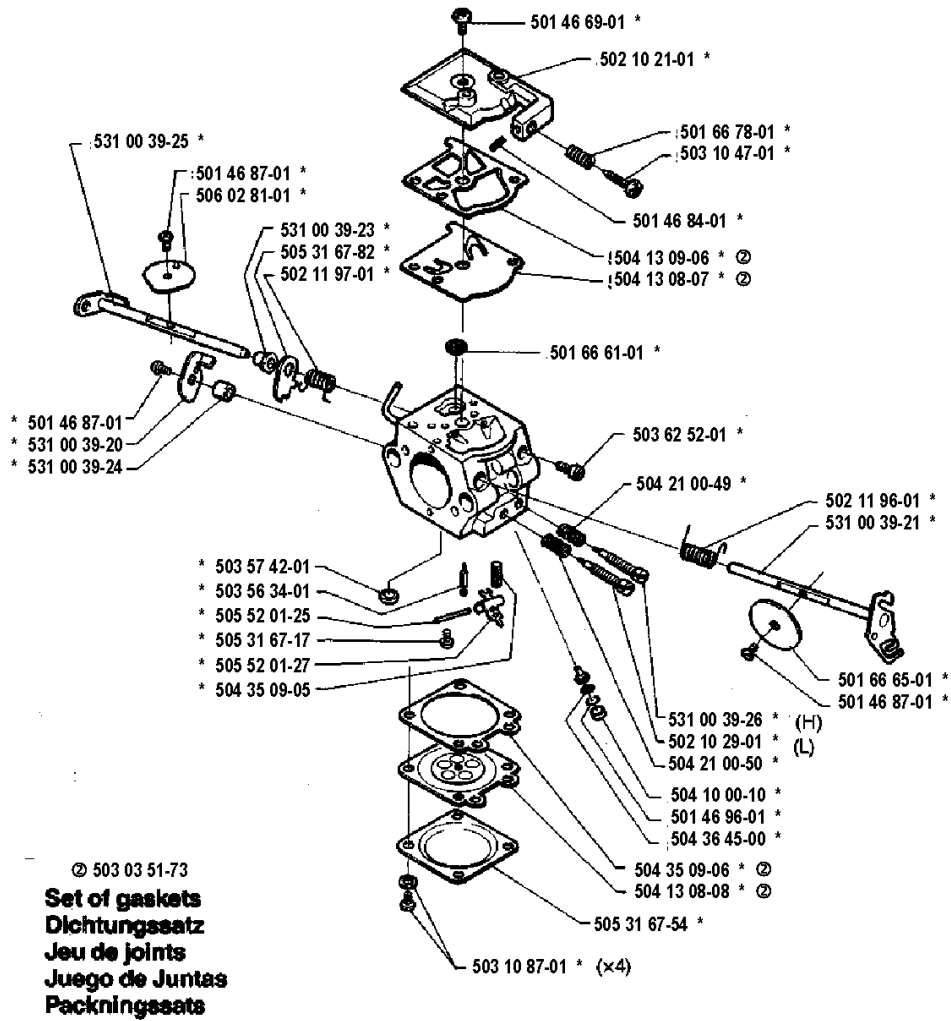
## STARTER

41, 19941800001-Current

Part No	Description	Remark	QTY KIT
501 76 31-01	SPRING CASSETTE ASSY		1
503 21 33-16	SCREW CITXPANT		1
503 23 00-35	WASHER		1
530 01 48-82	FAN HOUSING		1
530 01 58-23	SCREW CPL		1
530 01 58-92	SCREW		1
530 01 58-92	SCREW		1
530 01 58-93	SCREW		1
530 01 58-93	SCREW		1
530 02 23-26	STARTER ROPE		1
530 02 98-90	DECAL		1
530 03 60-67	DECAL		1
530 03 71-60	STARTER HANDLE		1
530 06 93-13	STARTER PULLEY		1

**M** \* compl 530 03 53-30 **Y**

**Walbro WT 239**



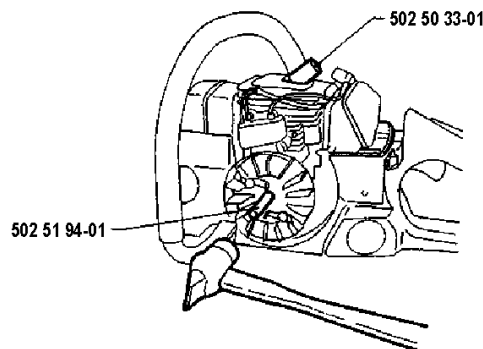
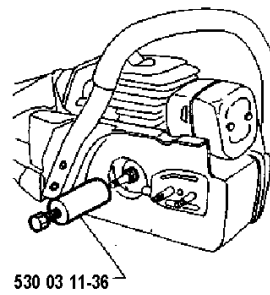
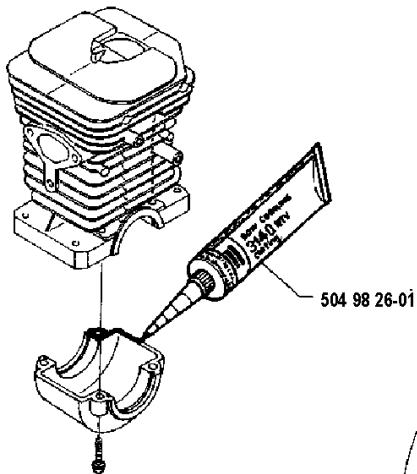
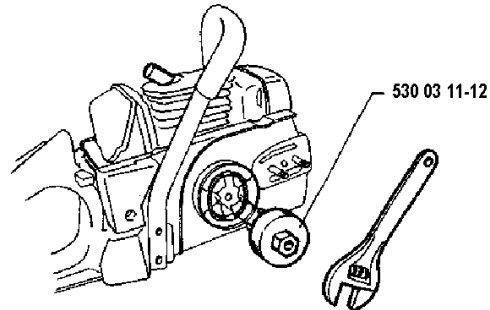
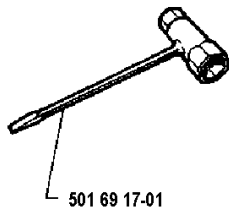
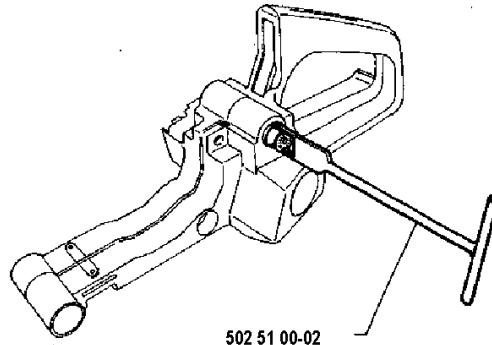
## CARBURETOR DETAILS

41, 19941800001-Current

Part No	Description	Remark	QTY KIT
501 46 69-01	SCREW		1
501 46 84-01	SPRING		1
501 46 87-01	SCREW		1
501 46 87-01	SCREW		1
501 46 87-01	SCREW		1
501 46 96-01	RING		1
501 66 61-01	SCREEN		1
501 66 65-01	VALVE		1
501 66 78-01	SPRING		1
502 10 21-01	LOCK PUMPSIDA		1
502 10 29-01	LOW SPEED NEEDLE	L	1
502 11 96-01	RECOIL SPRING		1
502 11 97-01	RECOIL SPRING		1
503 10 47-01	SCREW		1
503 10 87-01	SCREW		4
503 56 34-01	NEEDLE VALVE		1
503 57 42-01	PLUG		1
503 62 52-01	SCREW ASSY		1
504 10 00-10	PLUG		1
504 13 08-07	DIAPHRAGM PUMP	503 03 51-73 SET OF GASKETS	1
504 13 08-08	DIAPHRAGM	503 03 51-73 SET OF GASKETS	1
504 13 09-06	GASKET	503 03 51-73 SET OF GASKETS	1
504 21 00-49	SPRING		1
504 21 00-50	SPRING		1
504 35 09-05	SPRING		1
504 35 09-06	GASKET	503 03 51-73 SET OF GASKETS	1
504 36 45-00	SCREEN		1
505 31 67-17	SCREW		1
505 31 67-54	LOCK STYRMEMBRAN		1
505 31 67-82	LEVER		1
505 52 01-25	PIN		1
505 52 01-27	LEVER		1
506 02 81-01	VALVE		1
530 03 53-30	CARBURETTOR		1
531 00 39-20	THROTTLE LEVER		1
531 00 39-21	THROTTLE SHAFT		1
531 00 39-23	BUSHING		1
531 00 39-24	SPACER		1
531 00 39-25	CHOKE SHAFT		1
531 00 39-26	NEEDLE	H	1



**Service tools**  
**Servicewerkzeuge**  
**Outils de service**  
**Herramientas de servicio**  
**Service verktyg**



## SERVICE UPDATES

41, 19941800001-Current

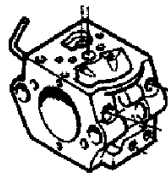
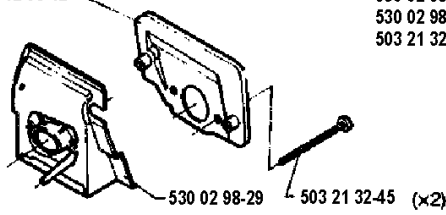
Part No	Description	Remark	QTY KIT
501 69 17-01	COMBINATION WRENCH		1
502 50 33-01	PISTON STOP		1
502 51 00-02	SPANNER		1
502 51 94-01	MANDREL		1
504 98 26-01	SILICONE RUBBER		1
530 03 11-12	PULLER		1
530 03 11-36	PULLER		1

**Y**

530 02 98-12

530 02 98-12  
530 02 98-29  
503 21 32-45

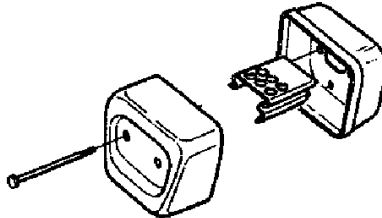
**Serial number:**  
≥138 3006



(compl. 530 03 52-91)

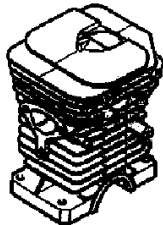
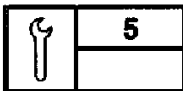
**WT 202**

**Serial number:**  
≥238 0849



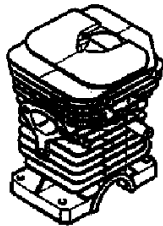
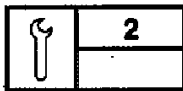
**Serial number:**  
≥239 0902

530 02 98-07  
530 02 98-08  
530 02 98-09  
530 01 58-98



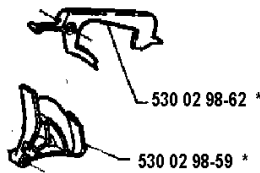
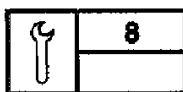
530 01 43-03  
530 01 43-50

**Serial number:**  
≥239 09 02



530 01 48-23  
530 01 48-22

**Serial number:**  
H36 ≥326 0974  
H41 ≥336 0001



530 02 98-59  
530 02 98-62

**Serial number:**  
≥314 0001

SERVICE UPDATES

41, 19941800001-Current

Part No	Description	Remark	QTY KIT
503 21 32-45	SCREW CITXPANT	SERIAL NUMBER: GREATER THAN OR EQUAL TO 138 3006	1
503 21 32-45	SCREW CITXPANT	SERIAL NUMBER: GREATER THAN OR EQUAL TO 138 3006	2
530 01 43-03	CYLINDER	SERIAL NUMBER: GREATER THAN OR EQUAL TO 239 09 02	1
530 01 43-50	CYLINDER	SERIAL NUMBER: GREATER THAN OR EQUAL TO 239 09 02	1
530 01 48-22	CYLINDER	SERIAL NUMBER: H36 GREATER THAN OR EQUAL TO 326 0974 H41 GREATER THAN OR EQUAL TO 336 0001	1
530 01 48-23	CYLINDER	SERIAL NUMBER: H36 GREATER THAN OR EQUAL TO 326 0974 H41 GREATER THAN OR EQUAL TO 336 0001	1
530 01 58-98	BOLT	SERIAL NUMBER: GREATER THAN OR EQUAL TO 239 0902	1
530 02 98-07	MUFFLER	SERIAL NUMBER: GREATER THAN OR EQUAL TO 239 0902	1
530 02 98-08	MUFFLER	SERIAL NUMBER: GREATER THAN OR EQUAL TO 239 0902	1
530 02 98-09	FLAME PROTECTION	SERIAL NUMBER: GREATER THAN OR EQUAL TO 239 0902	1
530 02 98-12	HOLDER	SERIAL NUMBER: GREATER THAN OR EQUAL TO 138 3006	1
530 02 98-12	HOLDER	SERIAL NUMBER: GREATER THAN OR EQUAL TO 138 3006	1
530 02 98-29	PARTITION	SERIAL NUMBER: GREATER THAN OR EQUAL TO 138 3006	1
530 02 98-29	PARTITION	SERIAL NUMBER: GREATER THAN OR EQUAL TO 138 3006	1
530 02 98-59	THROTTLE TRIGGER	SERIAL NUMBER: GREATER THAN OR EQUAL TO 314 0001	1
530 02 98-59	THROTTLE TRIGGER	SERIAL NUMBER: GREATER THAN OR EQUAL TO 314 0001	1
530 02 98-62	THROTTLE LOCK	SERIAL NUMBER: GREATER THAN OR EQUAL TO 314 0001	1
530 02 98-62	THROTTLE LOCK	SERIAL NUMBER: GREATER THAN OR EQUAL TO 314 0001	1
530 03 52-91	CARBURETTOR	WT 202 SERIAL NUMBER: GREATER THAN OR EQUAL TO 238 0849	1