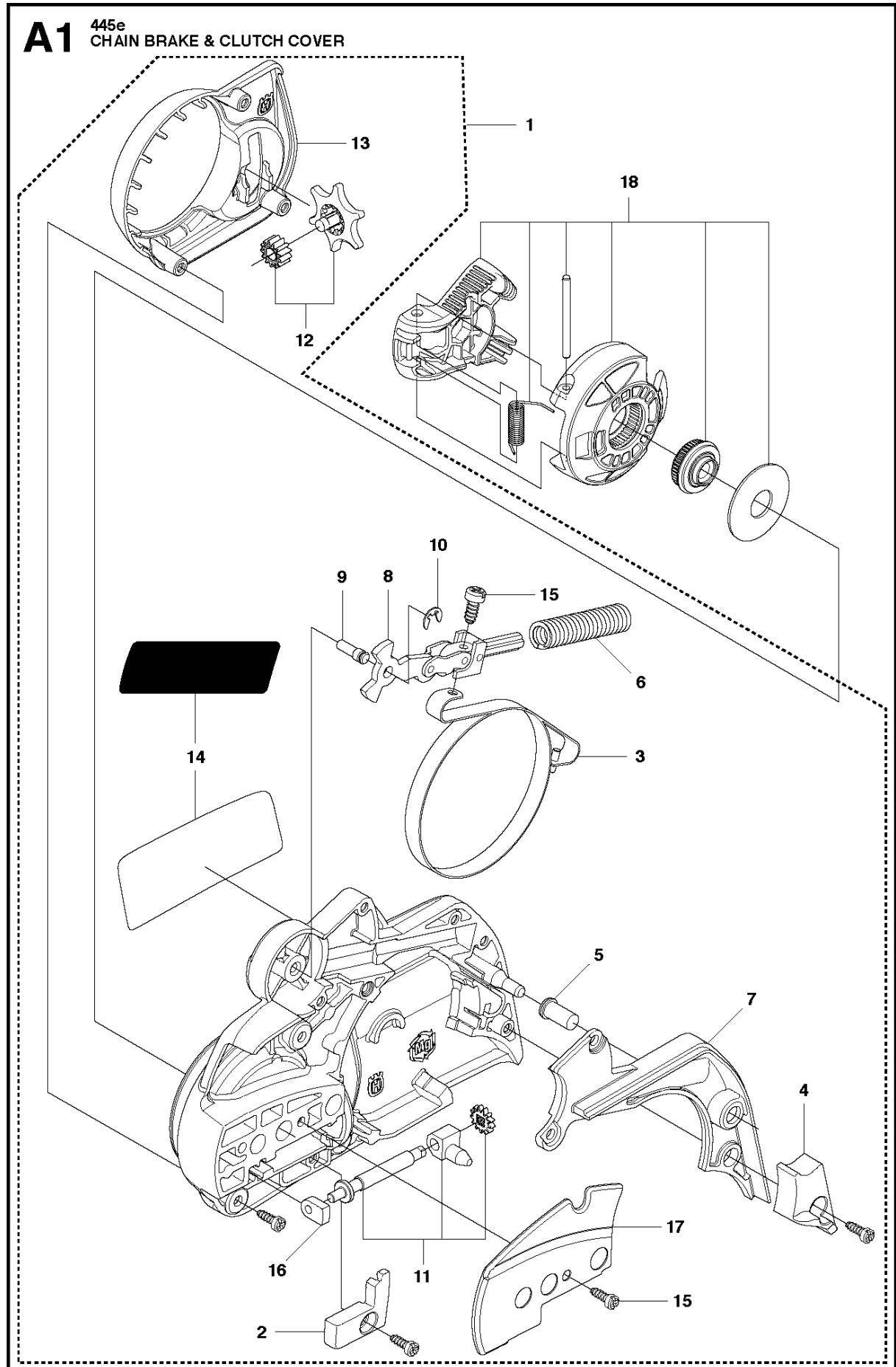




SPARE PARTS LIST

CHAIN SAWS

445 E, 20112700001-Current

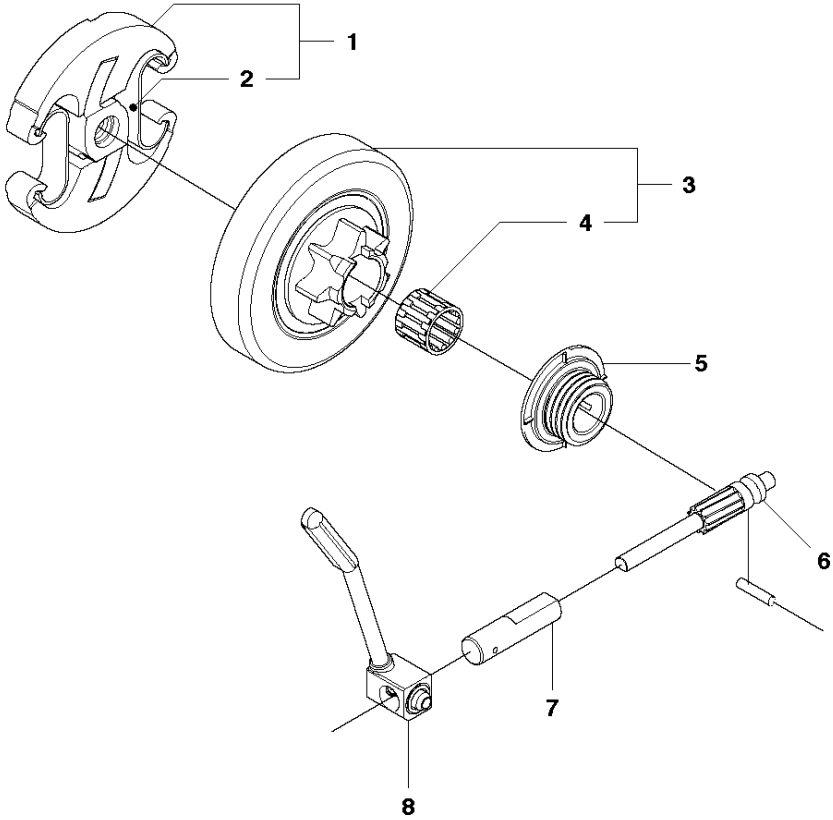


CHAIN BRAKE & CLUTCH COVER

445 E, 2011270001-Current

| Ref | Part No | Description | Remark | QTY | KIT |
|-----|--------------|-------------------|--------|-----|-----|
| 1 | 544 21 72-01 | CLUTCH COVER ASSY | | 1 | |
| 2 | 504 54 28-01 | COVER LID | | 1 | 1 |
| 3 | 537 04 30-01 | BRAKE BAND ASSY | | 1 | 1 |
| 4 | 544 08 30-01 | WEAR PROTECTION | | 1 | 1 |
| 5 | 503 85 52-01 | GUIDE BUSHING | | 1 | 1 |
| 6 | 503 46 59-01 | BRAKE SPRING | | 1 | 1 |
| 7 | 544 08 29-01 | COVER LID | | 1 | 1 |
| 8 | 503 89 08-02 | KNEE JOINT ASSY | | 1 | 1 |
| 9 | 503 89 29-01 | PIN | | 1 | 1 |
| 10 | 735 31 08-20 | E-CLIP | | 1 | 1 |
| 11 | 537 39 29-01 | SCREW | | 1 | 1 |
| 12 | 537 34 72-01 | GEAR ASSY | | 1 | 1 |
| 13 | 537 39 26-01 | HEAT PROTECTOR | | 1 | 1 |
| 14 | 544 35 75-01 | LABEL | | 1 | 1 |
| 15 | 503 21 70-10 | SCREW CCRPANT | | 10 | 1 |
| 16 | 525 35 43-01 | BEARING SLEEVE | | 1 | 1 |
| 17 | 544 25 05-01 | WEAR PLATE | | 1 | 1 |
| 18 | 537 34 78-01 | KNOB | | 1 | |

B 445, 445e
CLUTCH & OIL PUMP

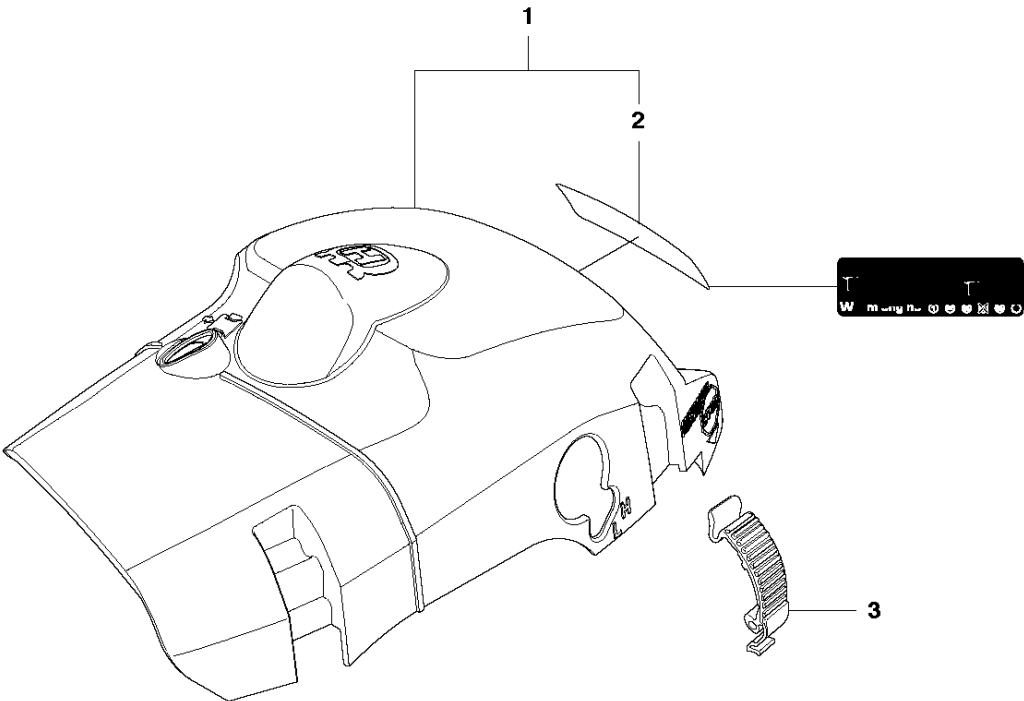


CLUTCH & OIL PUMP

445 E, 20112700001-Current

| Ref | Part No | Description | Remark | QTY | KIT |
|-----|--------------|------------------|--------|-----|-----|
| 1 | 537 11 05-03 | CLUTCH ASSY | | 1 | |
| 2 | 537 35 91-01 | CLUTCH SPRING | | 2 | 1 |
| 3 | 503 87 30-72 | CLUTCH DRUM ASSY | | 1 | |
| 4 | 503 25 52-01 | NEEDLE BEARING | | 1 | 3 |
| 5 | 503 93 18-01 | PUMP PINION | | 1 | |
| 6 | 540 05 79-01 | PUMP PISTON | | 1 | |
| 7 | 537 15 48-01 | PUMP CYLINDER | | 1 | |
| 8 | 544 08 42-01 | OIL HOSE | | 1 | |

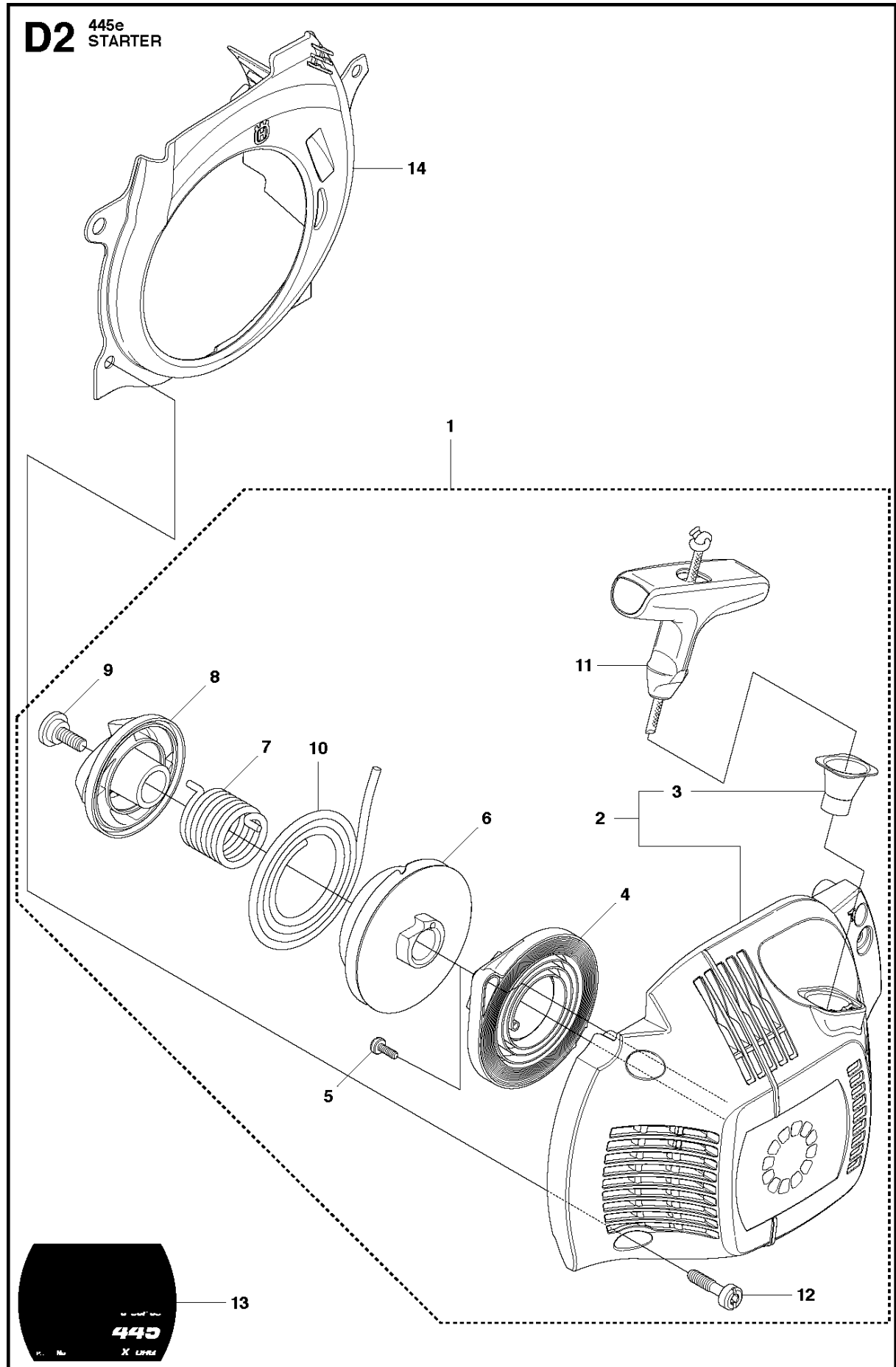
C 445, 445e
CYLINDER COVER



CYLINDER COVER

445 E, 20112700001-Current

| Ref | Part No | Description | Remark | QTY | KIT |
|-----|--------------|---------------------|--------|-----|-----|
| 1 | 544 34 83-03 | CYLINDER COVER ASSY | | 1 | |
| 2 | 522 70 92-01 | LABEL | | 1 | 1 |
| 3 | 503 89 47-01 | SNAP LOCKING | | 3 | |

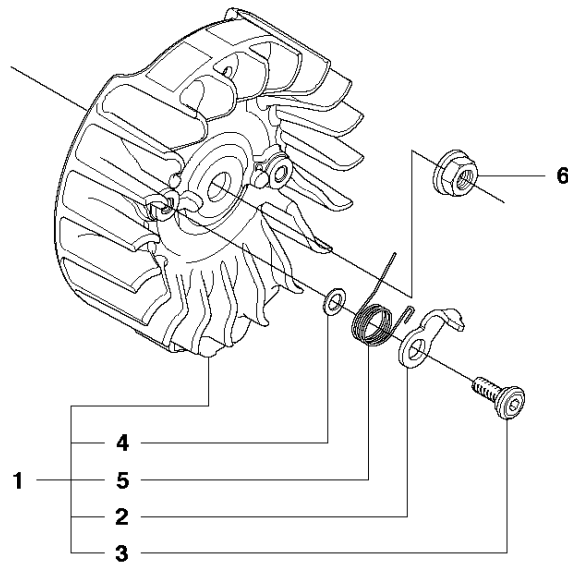
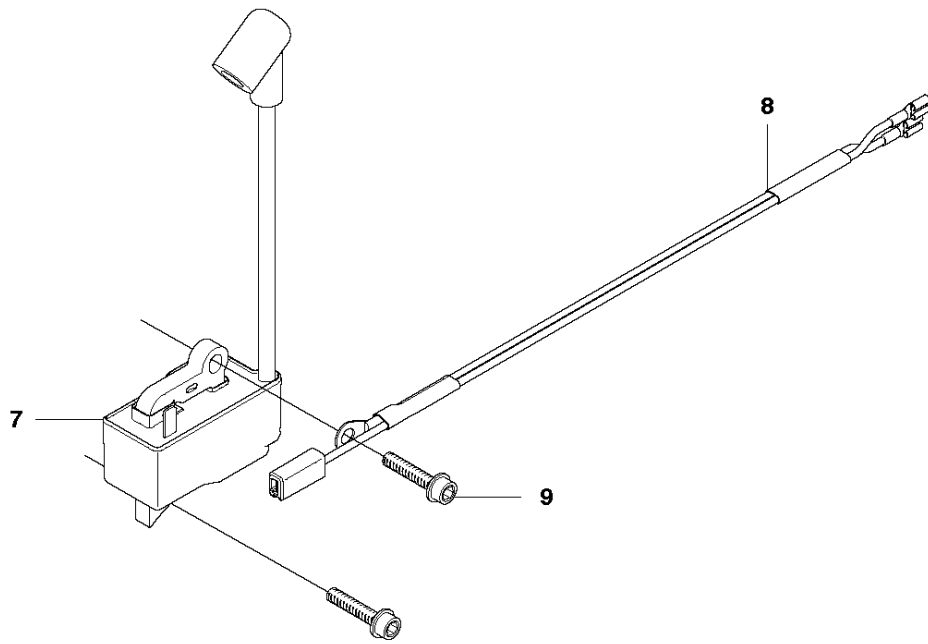


STARTER

445 E, 2011270001-Current

| Ref | Part No | Description | Remark | QTY | KIT |
|-----|--------------|-----------------------|--------|-----|------|
| 1 | 544 15 85-02 | STARTER ASSY | | 1 | |
| 2 | 544 15 84-01 | STARTER HOUSING | | 1 | 1 |
| 3 | 537 28 32-01 | SLEEVE | | 1 | 1, 2 |
| 4 | 540 05 75-02 | SPRING CASSETTE ASSY | | 1 | 1 |
| 5 | 503 21 28-10 | SCREW CCRPANT | | 2 | 1 |
| 6 | 537 42 32-01 | STARTER PULLEY | | 1 | 1 |
| 7 | 537 42 34-01 | SPRING | | 1 | 1 |
| 8 | 537 42 33-01 | DRIVER | | 1 | 1 |
| 9 | 537 42 66-01 | SCREW | | 1 | 1 |
| 10 | 505 30 51-25 | STARTER CORD | | 1 | 1 |
| 11 | 537 23 25-01 | STARTER HANDLE | | 1 | 1 |
| 12 | 503 21 73-21 | SCREW | | 4 | 1 |
| 13 | 544 37 71-01 | LABEL | | 1 | |
| 14 | 544 08 15-01 | COOLING AIR CONDUCTER | | 1 | |

E 445, 445e
IGNITION SYSTEM

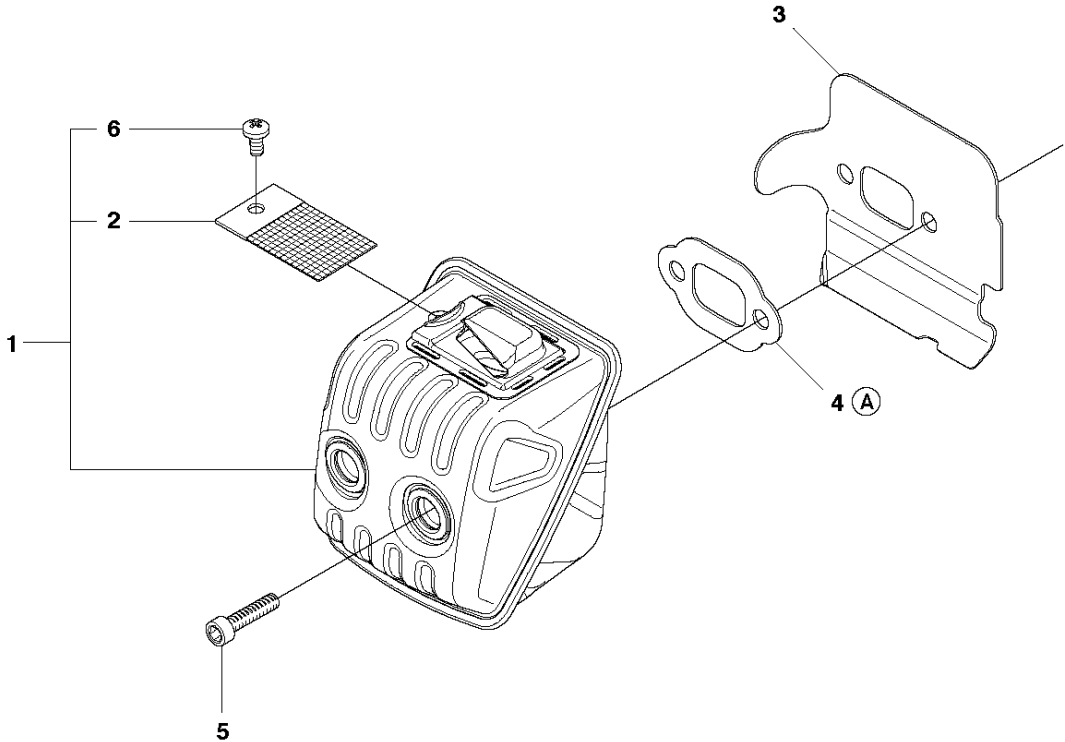


IGNITION SYSTEM

445 E, 20112700001-Current

| Ref | Part No | Description | Remark | QTY | KIT |
|-----|--------------|-----------------|--------|-----|-----|
| 1 | 544 11 18-01 | FLYWHEEL ASSY | | 1 | |
| 2 | 537 24 56-01 | STARTER PAWL | | 2 | 1 |
| 3 | 501 81 99-03 | SCREW | | 2 | 1 |
| 4 | 503 23 00-42 | WASHER | | 2 | 1 |
| 5 | 529 27 11-01 | SPRING | | 2 | 1 |
| 6 | 503 22 04-01 | NUT | | 1 | |
| 7 | 573 93 57-02 | IGNITION MODULE | | 1 | |
| 8 | 510 10 15-01 | WIRING ASSY | | 1 | |
| 9 | 503 20 02-20 | SCREW IHSCFM | | 2 | |

F 445, 445e
MUFFLER

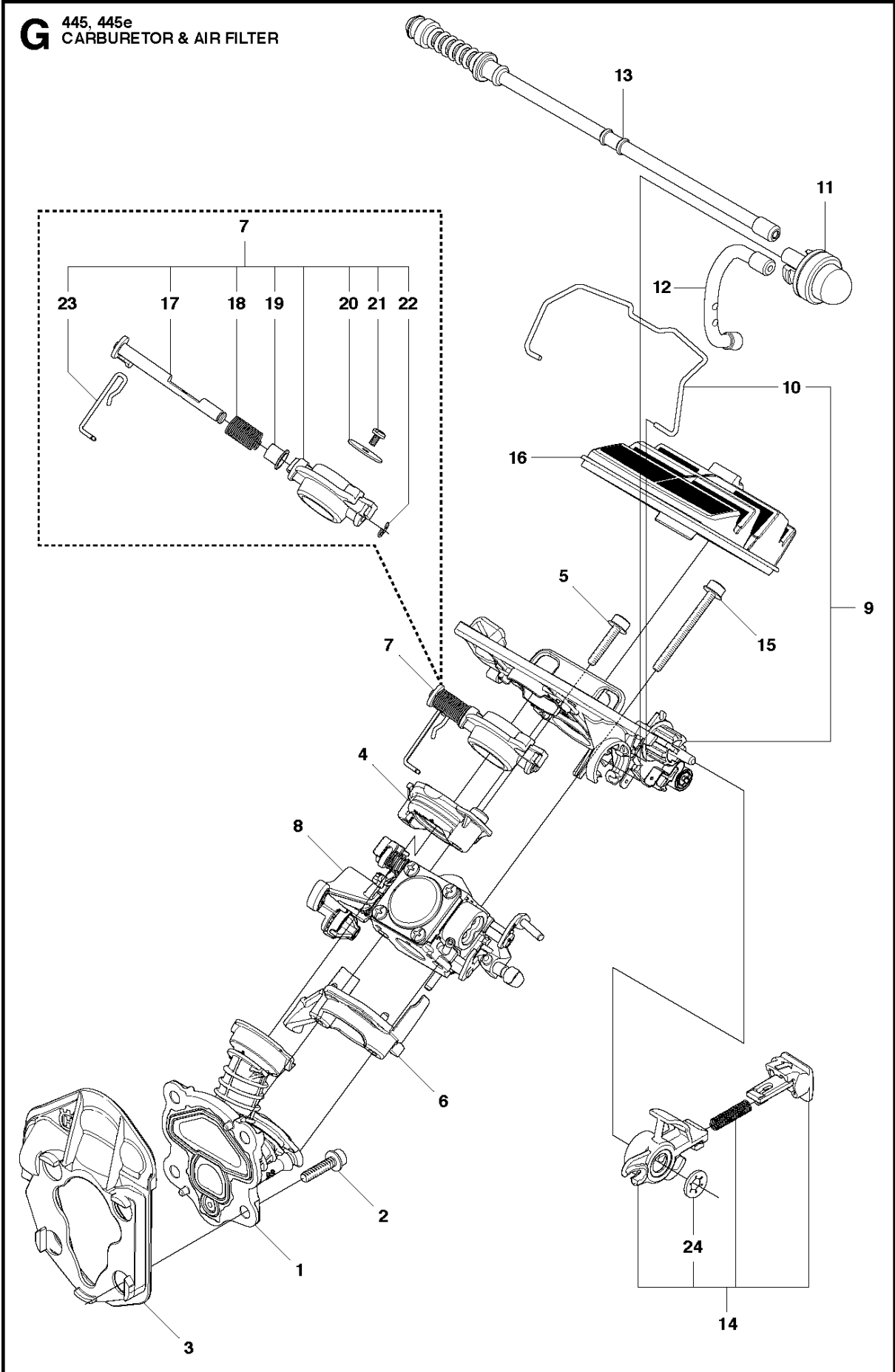


7
Ⓐ 544 97 20-01
Set of gaskets

MUFFLER

445 E, 20112700001-Current

| Ref | Part No | Description | Remark | QTY | KIT |
|-----|--------------|----------------|----------------|-----|-----|
| 1 | 544 14 77-02 | MUFFLER ASSY | | 1 | |
| 2 | 579 75 33-01 | SCREEN | | 1 | 1 |
| 3 | 579 75 32-01 | HEAT DEFLECTOR | | 1 | |
| 4 | 579 75 31-01 | GASKET | | 1 | 7 |
| 5 | 725 53 68-55 | SCREW IHSCM | | 2 | |
| 6 | 724 12 87-59 | SCREW CRPANM | | 1 | 1 |
| 7 | 544 97 20-01 | GASKET KIT | Set of Gaskets | 1 | |

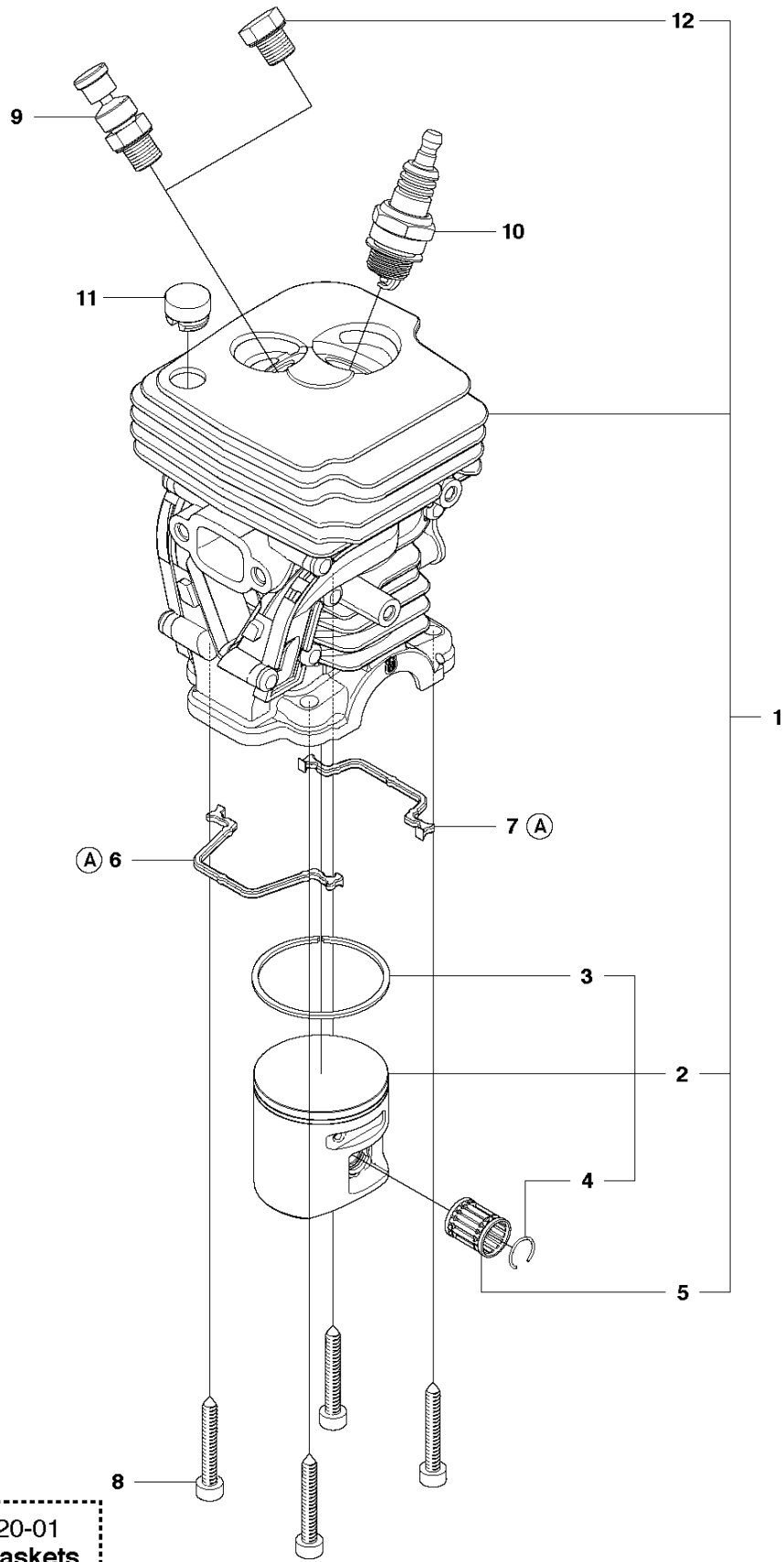


CARBURETOR & AIR FILTER

445 E, 2011270001-Current

| Ref | Part No | Description | Remark | QTY | KIT |
|-----|--------------|------------------|--------------|-----|-----|
| 1 | 544 08 23-01 | PIPE ASSY | | 1 | |
| 2 | 503 20 02-16 | SCREW IHSCFM | | 4 | |
| 3 | 544 08 38-01 | INTERMEDATE WALL | | 1 | |
| 4 | 544 08 40-01 | FLANGE | | 1 | |
| 5 | 503 21 07-25 | SCREW IHSCFT | | 2 | |
| 6 | 544 08 41-01 | FLANGE | | 1 | |
| 7 | 544 14 82-01 | THROTTLE | | 1 | |
| 8 | 506 45 04-01 | CARBURETTOR | C1M-EL37B | 1 | |
| 9 | 504 00 34-01 | FILTER HOLDER | | 1 | |
| 10 | 544 23 14-01 | SHACKLE | | 1 | 9 |
| 11 | 503 93 66-01 | PURGE | air purge | 1 | |
| 12 | 544 40 19-01 | HOSE | suction hose | 1 | |
| 13 | 544 12 97-01 | RETURN HOSE | return hose | 1 | |
| 14 | 544 35 99-02 | CONTROL | | 1 | |
| 15 | 503 21 07-50 | SCREW IHSCFT | | 2 | |
| 16 | 544 08 08-01 | AIR FILTER | μ 80 | 1 | |
| 16 | 544 08 08-02 | AIR FILTER | μ 44 | 1 | |
| 16 | 544 08 08-03 | AIR FILTER | Felt | 1 | |
| 17 | 502 08 10-01 | SHAFT ASSY | | 1 | 7 |
| 18 | 502 08 11-01 | SPRING | | 1 | 7 |
| 19 | 502 08 08-01 | COLLAR | | 1 | 7 |
| 20 | 502 08 12-01 | VALVE | | 1 | 7 |
| 21 | 503 48 18-01 | SCREW | | 1 | 7 |
| 22 | 537 38 52-01 | CLIP | | 1 | 7 |
| 23 | 502 08 09-01 | ROD | | 1 | 7 |
| 24 | 735 58 30-00 | WASHER | | 1 | 14 |

H 445, 445e
CYLINDER PISTON



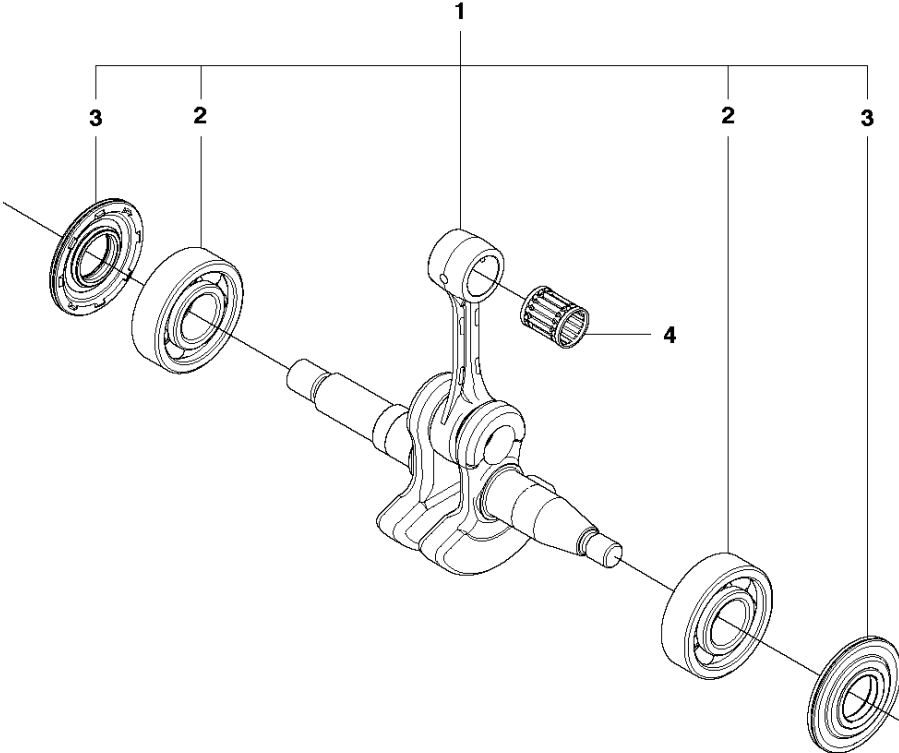
(A) 544 97 20-01
Set of gaskets

CYLINDER PISTON

445 E, 2011270001-Current

| Ref | Part No | Description | Remark | QTY | KIT |
|-----|--------------|---------------------|----------------|-----|------|
| 1 | 544 11 99-02 | CYLINDER | | 1 | |
| 2 | 544 08 84-03 | PISTON ASSY | | 1 | 1 |
| 3 | 537 40 11-01 | PISTON RING | | 1 | 1, 2 |
| 4 | 544 21 13-01 | CIRCLIP | | 1 | 1, 2 |
| 5 | 503 25 63-01 | NEEDLE BEARING | | 1 | 1 |
| 6 | 544 10 87-01 | GASKET | | 1 | 13 |
| 7 | 544 10 92-01 | GASKET | | 1 | 13 |
| 8 | 503 20 05-27 | SCREW IHSCM | | 4 | |
| 9 | 544 87 07-01 | DECOMPRESSION VALVE | | 1 | |
| 10 | 503 23 51-11 | SPARK PLUG | | 1 | |
| 11 | 540 05 73-01 | SUPPORT | | 1 | |
| 12 | 503 55 22-01 | PLUG | | 1 | 1 |
| 13 | 544 97 20-01 | GASKET KIT | Set of Gaskets | 1 | |

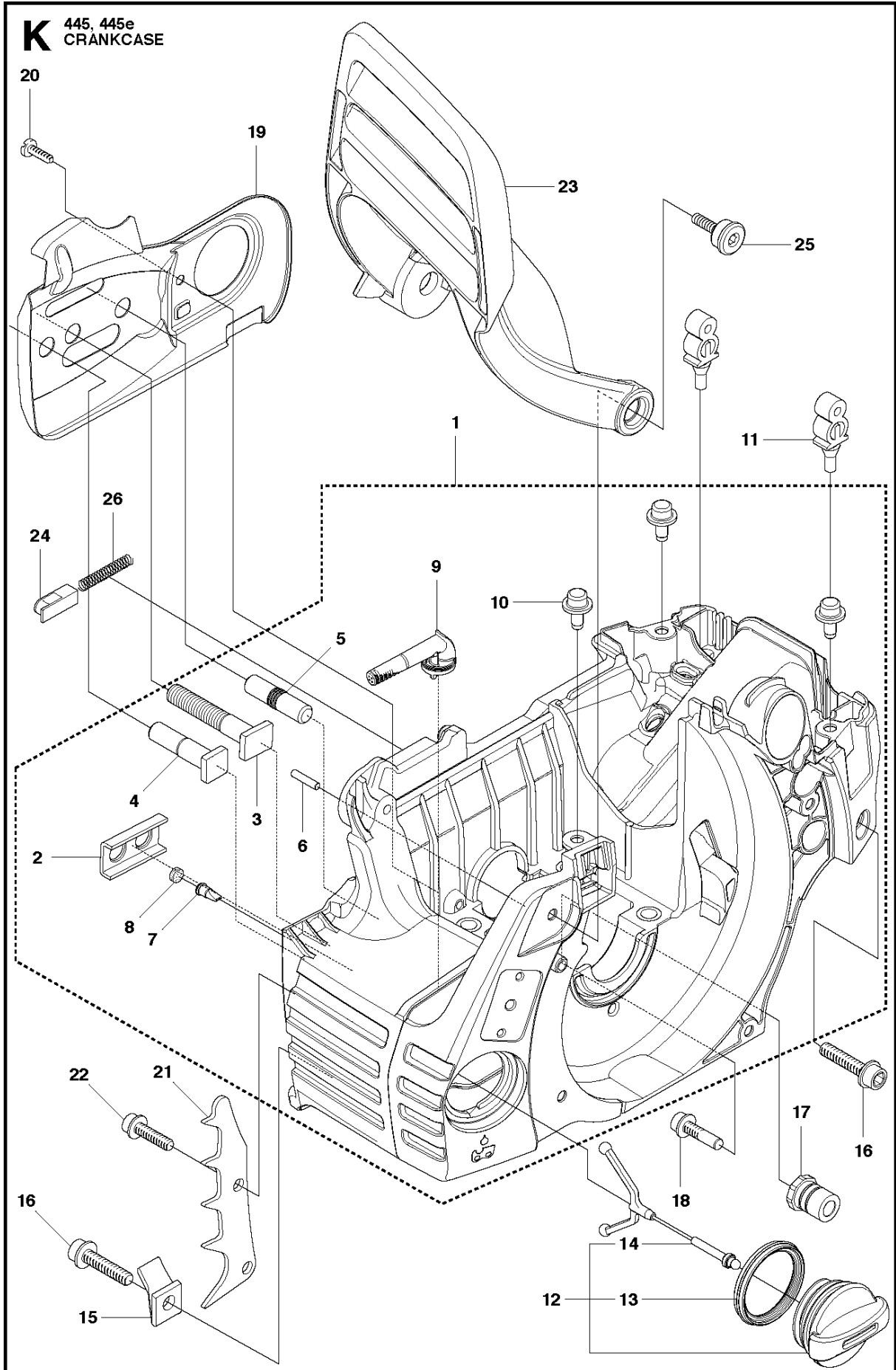
J 445, 445e
CRANKSHAFT



CRANKSHAFT

445 E, 20112700001-Current

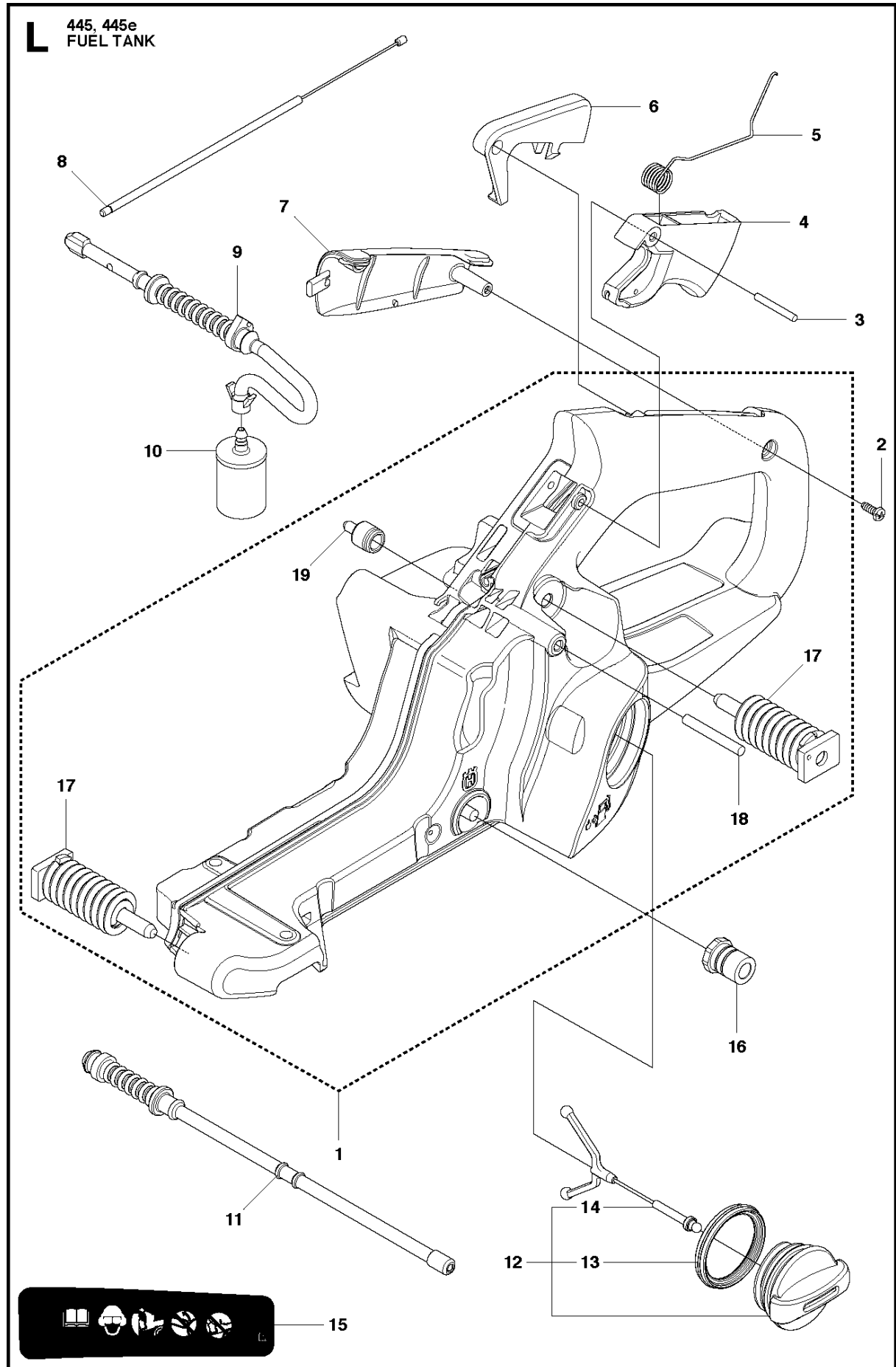
| Ref | Part No | Description | Remark | QTY | KIT |
|-----|--------------|-----------------|--------|-----|-----|
| 1 | 525 60 50-01 | CRANKSHAFT ASSY | | 1 | |
| 2 | 544 06 20-01 | BEARING | | 2 | 1 |
| 3 | 544 01 38-01 | SEALING | | 2 | 1 |
| 4 | 503 25 63-01 | NEEDLE BEARING | | 1 | |



CRANKCASE

445 E, 20112700001-Current

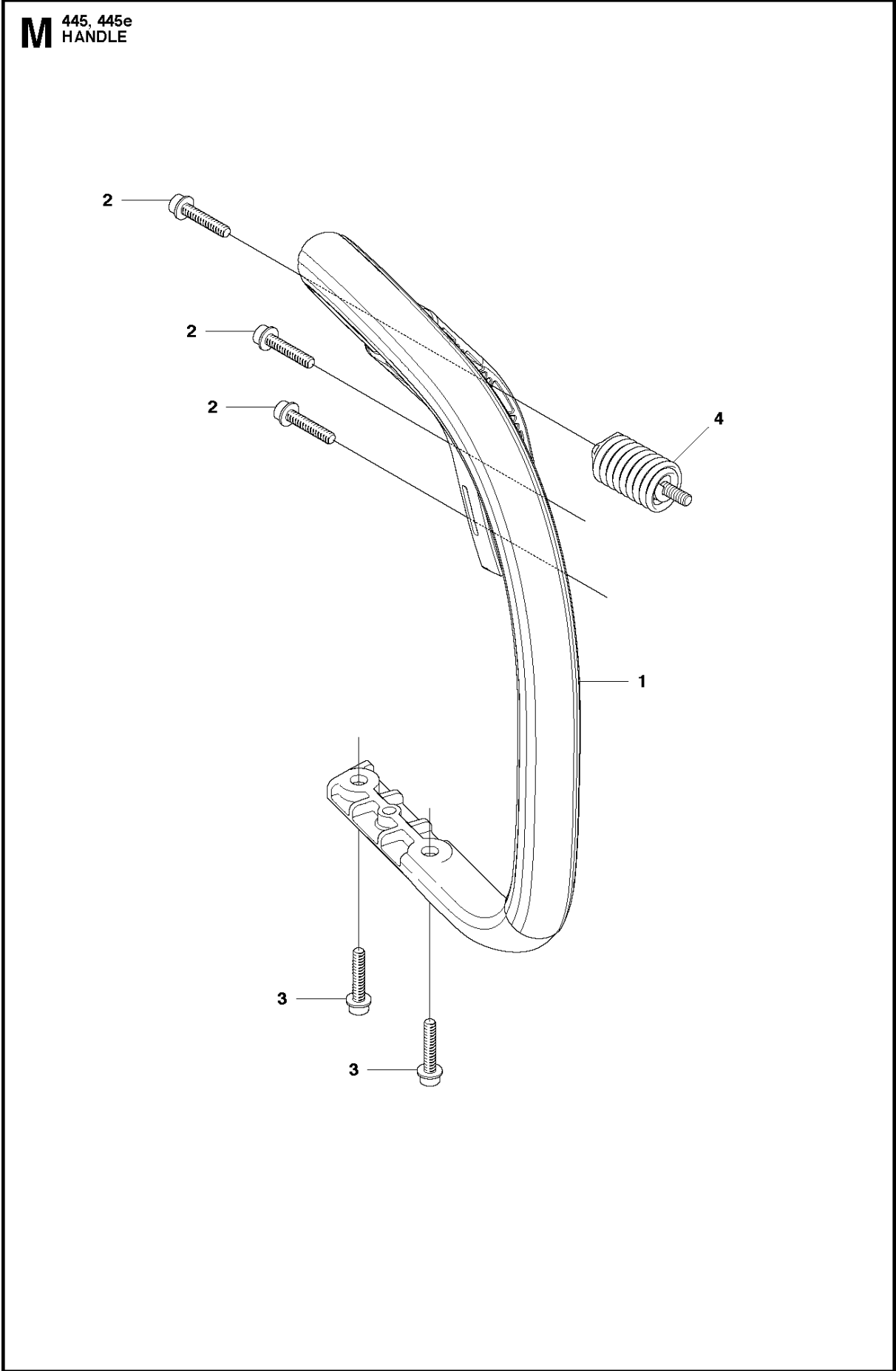
| Ref | Part No | Description | Remark | QTY | KIT |
|-----|--------------|-------------------|--------|-----|-----|
| 1 | 537 43 82-01 | CRANKCASE | | 1 | |
| 2 | 503 87 58-02 | STIFFENING PLATE | | 1 | 1 |
| 3 | 503 87 54-02 | BAR BOLT | | 1 | 1 |
| 4 | 537 33 46-01 | BAR BOLT | | 1 | 1 |
| 5 | 544 03 64-01 | BAR BOLT | | 1 | 1 |
| 6 | 503 24 09-05 | NEEDLE ROLLER | | 1 | 1 |
| 7 | 530 02 61-19 | CHECK VALVE | | 1 | 1 |
| 8 | 537 40 35-01 | FILTER | | 1 | 1 |
| 9 | 544 08 33-01 | OIL SCREEN | | 1 | 1 |
| 10 | 544 33 16-01 | GUIDE PIN | | 3 | 1 |
| 11 | 503 86 93-01 | SUPPORT | | 2 | |
| 12 | 544 11 12-01 | TANK CAP ASSY | | 1 | |
| 13 | 537 21 50-01 | SEALING | | 1 | 12 |
| 14 | 503 57 89-01 | HOLDER | | 1 | 12 |
| 15 | 503 88 63-01 | PIN | | 1 | |
| 16 | 503 21 88-76 | SCREW IHSCCT | | 2 | |
| 17 | 501 00 76-01 | SUPPORT | | 2 | |
| 18 | 503 21 51-03 | SCREW IHSCCT | | 1 | |
| 19 | 544 09 40-01 | CHAIN GUIDE PLATE | | 1 | |
| 20 | 503 21 70-10 | SCREW CCRPANT | | 1 | |
| 21 | 503 90 59-01 | SPIKE | | 1 | |
| 22 | 503 21 75-20 | SCREW IHSCFT | | 2 | |
| 23 | 544 08 26-01 | HAND GUARD | | 1 | |
| 24 | 503 89 24-01 | LOCK | | 1 | |
| 25 | 503 89 30-01 | SCREW | | 2 | |
| 26 | 503 43 65-01 | POSITION SPRING | | 1 | |



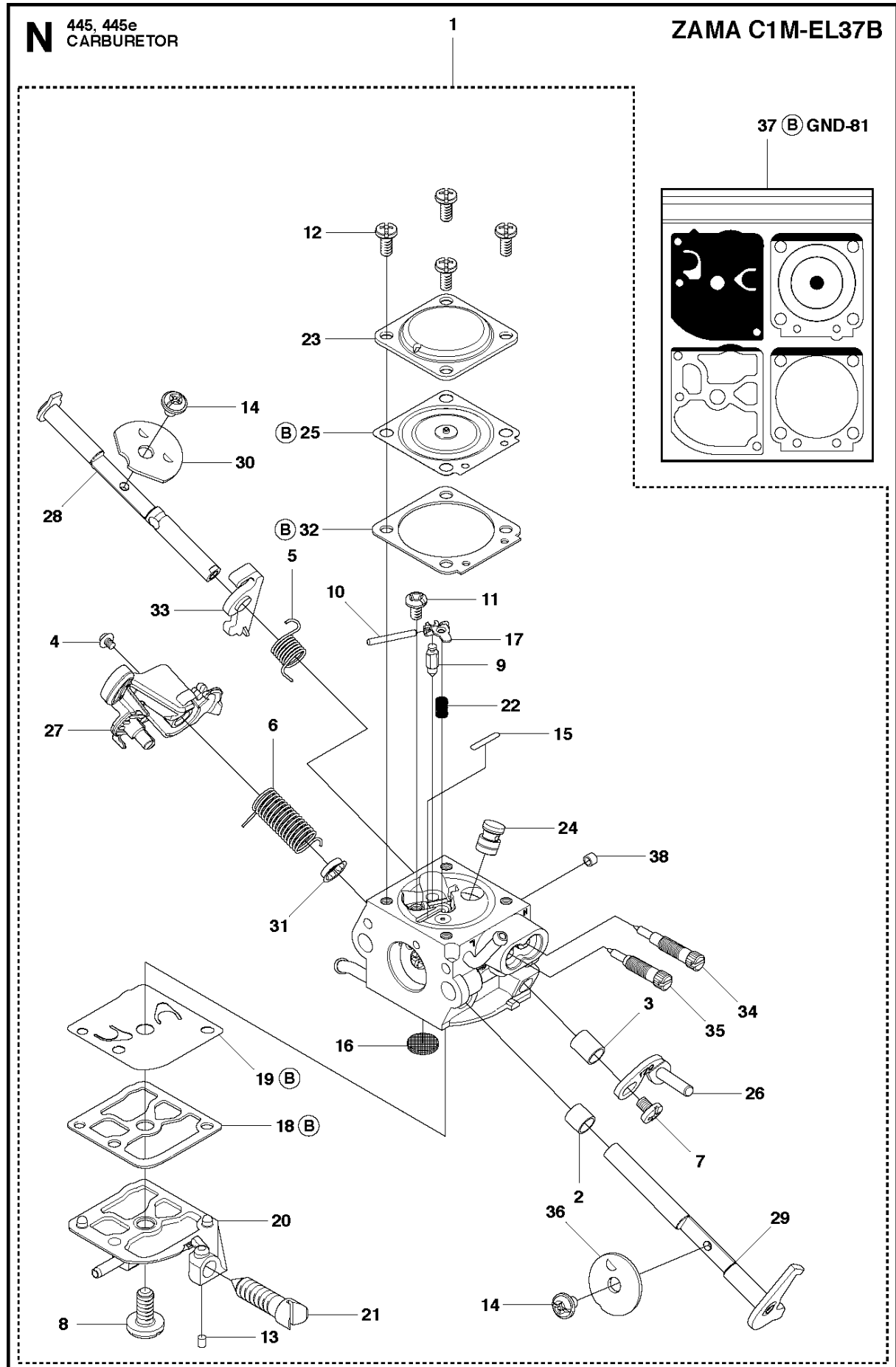
FUEL TANK

445 E, 2011270001-Current

| Ref | Part No | Description | Remark | QTY | KIT |
|-----|--------------|-----------------------|--------|-----|-----|
| 1 | 525 86 21-01 | FUEL TANK ASSY | | 1 | |
| 2 | 503 21 28-10 | SCREW CCRPANT | | 1 | |
| 3 | 720 18 25-20 | PARALLEL PIN | | 1 | |
| 4 | 544 09 97-01 | THROTTLE TRIGGER | | 1 | |
| 5 | 544 09 99-01 | SPRING | | 1 | |
| 6 | 544 09 98-01 | THROTTLE LOCKOUT | | 1 | |
| 7 | 504 12 22-01 | HANDLE INSERT | | 1 | |
| 8 | 504 09 88-01 | THROTTLE CABLE ASSY | | 1 | |
| 9 | 544 12 86-01 | FUEL HOSE | | 1 | |
| 10 | 503 44 32-01 | FUEL FILTER | | 1 | |
| 11 | 544 12 97-01 | RETURN HOSE | | 1 | |
| 12 | 544 11 12-01 | TANK CAP ASSY | | 1 | |
| 13 | 537 21 50-01 | SEALING | | 1 | 12 |
| 14 | 503 57 89-01 | HOLDER | | 1 | 12 |
| 15 | 544 37 50-01 | LABEL | | 1 | |
| 16 | 501 00 76-01 | SUPPORT | | 1 | |
| 17 | 544 10 12-01 | ANTIVIBRATION ELEMENT | | 2 | 1 |
| 18 | 721 12 63-39 | GROOVED PIN | | 1 | 1 |
| 19 | 537 35 95-01 | TANK VENT ASSY | | 1 | 1 |



| Ref | Part No | Description | Remark | QTY KIT |
|-----|--------------|-----------------------|--------|---------|
| 1 | 544 08 39-01 | FRONT HANDLE | | 1 |
| 2 | 503 21 88-76 | SCREW IHSCT | | 3 |
| 3 | 503 21 02-70 | SCREW IHSCT | | 2 |
| 4 | 503 89 83-01 | ANTIVIBRATION ELEMENT | | 1 |

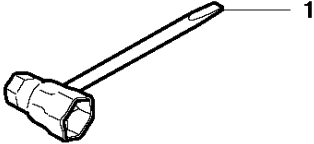


CARBURETOR

445 E, 2011270001-Current

| Ref | Part No | Description | Remark | QTY | KIT |
|-----|--------------|---------------------|--------|-----|-------|
| 1 | 506 45 04-01 | CARBURETTOR | | 1 | |
| 2 | 502 07 82-01 | COLLAR | | 1 | 1 |
| 3 | 502 07 83-01 | COLLAR | | 1 | 1 |
| 4 | 502 07 84-01 | SCREW | | 1 | 1 |
| 5 | 502 07 86-01 | SPRING | | 1 | 1 |
| 6 | 502 07 87-01 | SPRING | | 1 | 1 |
| 7 | 503 47 90-01 | SCREW | | 1 | 1 |
| 8 | 503 47 96-01 | SCREW | | 1 | 1 |
| 9 | 503 47 97-01 | VALVE | | 1 | 1 |
| 10 | 503 48 00-01 | PIN RETAINING SCREW | | 1 | 1 |
| 11 | 503 48 01-01 | SCREW | | 1 | 1 |
| 12 | 503 48 05-01 | SCREW | | 4 | 1 |
| 13 | 503 48 11-01 | PIECE | | 1 | 1 |
| 14 | 503 48 18-01 | SCREW | | 2 | 1 |
| 15 | 503 53 56-01 | PLUG WELCH | | 2 | 1 |
| 16 | 503 53 57-01 | STRAINER | | 1 | 1 |
| 17 | 503 66 59-01 | LEVER | | 1 | 1 |
| 18 | 537 02 01-01 | GASKET | | 1 | 1, 37 |
| 19 | 537 38 31-01 | DIAPHRAGM PUMP | | 1 | 1, 37 |
| 20 | 502 07 89-01 | COVER | | 1 | 1 |
| 21 | 537 38 33-01 | SCREW | | 1 | 1 |
| 22 | 537 38 34-01 | SPRING | | 1 | 1 |
| 23 | 537 38 37-01 | COVER | | 1 | 1 |
| 24 | 544 23 77-01 | NOZZLE ASSY | | 1 | 1 |
| 25 | 502 07 90-01 | DIAPHRAGM | | 1 | 1, 37 |
| 26 | 502 07 91-01 | LEVER | | 1 | 1 |
| 27 | 505 10 17-01 | LEVER | | 1 | 1 |
| 28 | 502 07 94-01 | SHAFT ASSY | | 1 | 1 |
| 29 | 502 07 95-01 | SHAFT ASSY | | 1 | 1 |
| 30 | 502 24 77-01 | VALVE | | 1 | 1 |
| 31 | 502 07 98-01 | COLLAR | | 1 | 1 |
| 32 | 537 38 36-01 | GASKET | | 1 | 1, 37 |
| 33 | 502 08 17-01 | LEVER | | 1 | 1 |
| 34 | 502 07 99-01 | SCREW | | 1 | 1 |
| 35 | 502 08 00-01 | SCREW | | 1 | 1 |
| 36 | 502 08 01-01 | VALVE | | 1 | 1 |
| 37 | 502 08 02-01 | GASKET KIT | | 1 | |
| 38 | 544 11 95-01 | PLUG | | 1 | 1 |

P 445, 445e
ACCESSORIES

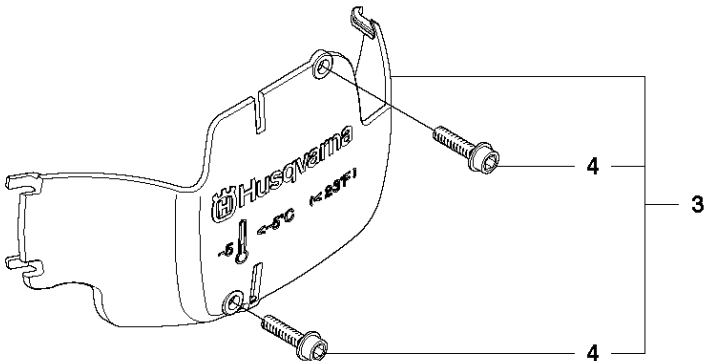


ACCESSORIES

445 E, 20112700001-Current

| Ref | Part No | Description | Remark | QTY KIT |
|-----|--------------|-------------|--------|---------|
| 1 | 503 55 85-04 | TOOL | | 1 |

Q 445e
WINTER KIT



| Ref | Part No | Description | Remark | QTY | KIT |
|-----|--------------|---------------|---------------------|-----|-----|
| 3 | 544 46 45-02 | WINTER KIT | Winter kit e-series | 1 | |
| 4 | 503 21 70-16 | SCREW CCRPANT | | 2 | 3 |