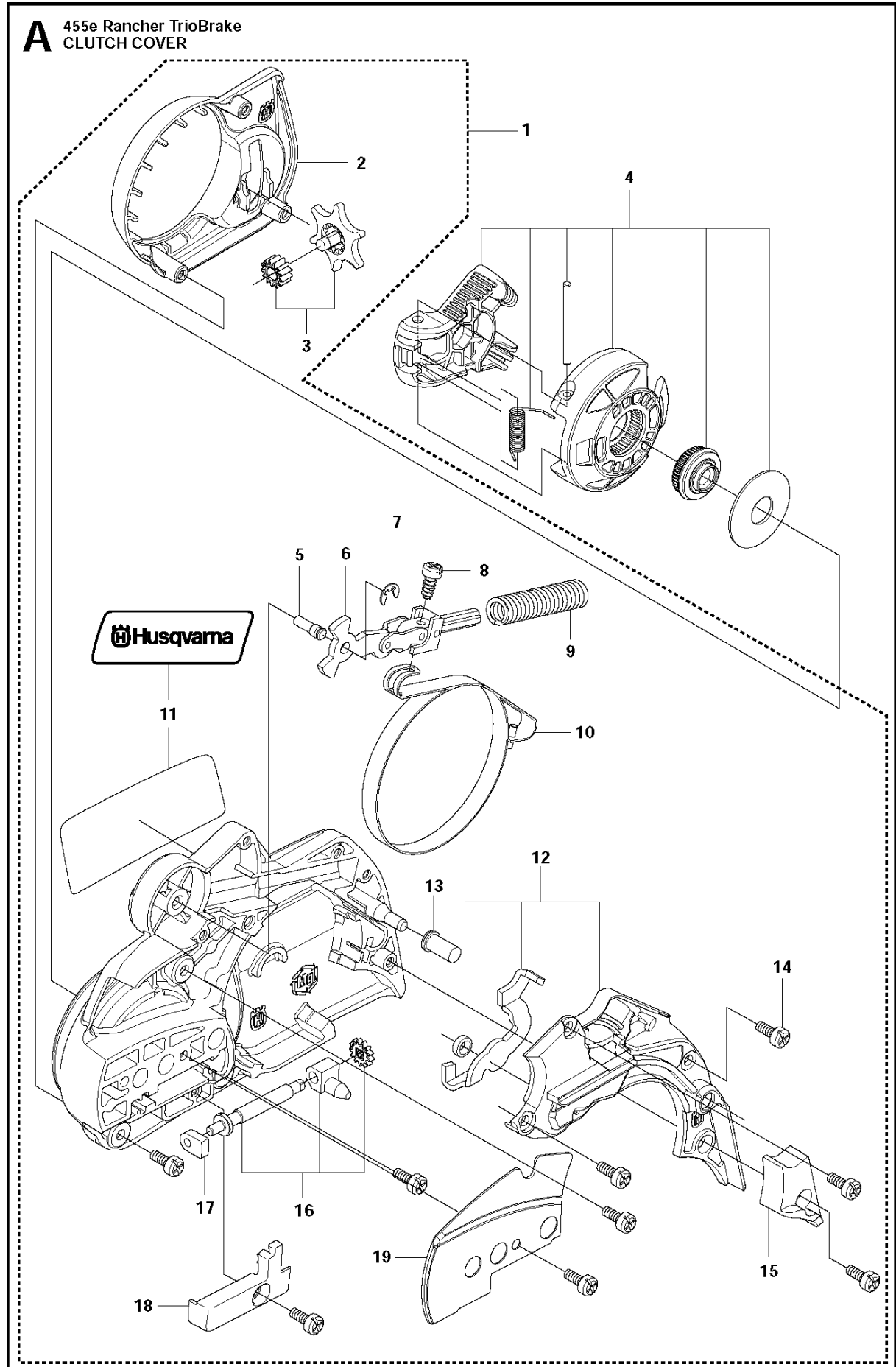




# SPARE PARTS LIST

CHAIN SAWS

455 E TRIOBRAKE

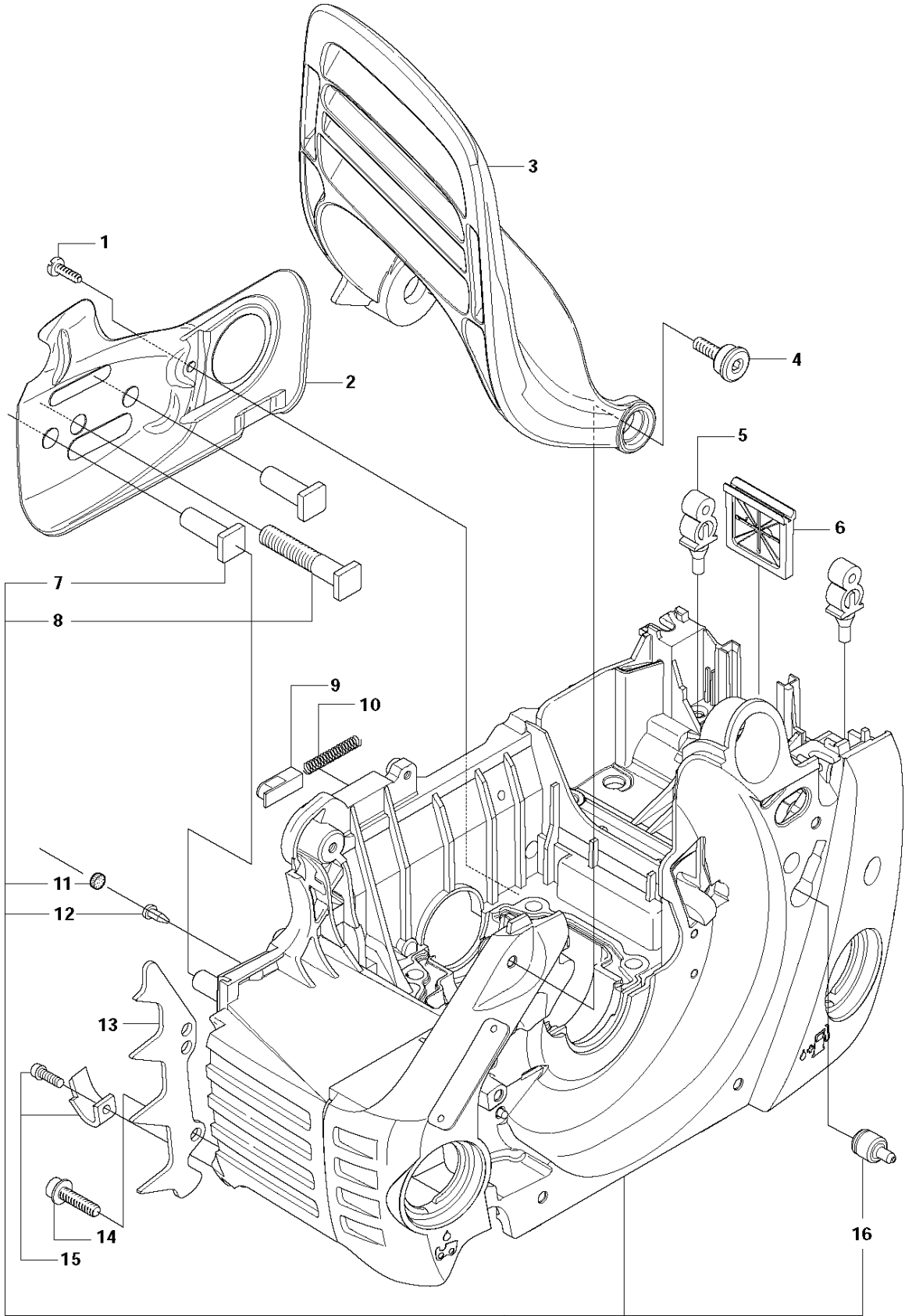


## CLUTCH COVER

455 E TRIOBRAKE

Ref	Part No	Description	Remark	QTY	KIT
1	505 32 42-01	CLUTCH COVER ASSY		1	
2	537 39 26-01	HEAT PROTECTOR		1	1
3	537 34 72-01	GEAR ASSY		1	1
4	537 34 78-01	KNOB		1	
5	503 89 29-01	PIN		1	1
6	503 89 08-02	KNEE JOINT ASSY		1	1
7	735 31 08-20	E-CLIP		1	1
8	503 21 70-10	SCREW CCRPANT		1	1
9	503 46 59-01	BRAKE SPRING		1	1
10	537 04 30-01	BRAKE BAND ASSY		1	1
11	544 35 75-01	LABEL		1	1
12	502 30 61-01	COVER LID		1	1
13	503 85 52-01	GUIDE BUSHING		1	1
14	503 21 70-10	SCREW CCRPANT		9	1
15	544 08 30-01	WEAR PROTECTION		1	1
16	537 39 29-01	SCREW		1	1
17	544 84 55-01	BEARING SLEEVE		1	1
18	504 54 28-01	COVER LID		1	1
19	544 25 05-01	WEAR PLATE		1	1

**B** 455e Rancher TrioBrake  
CRANKCASE

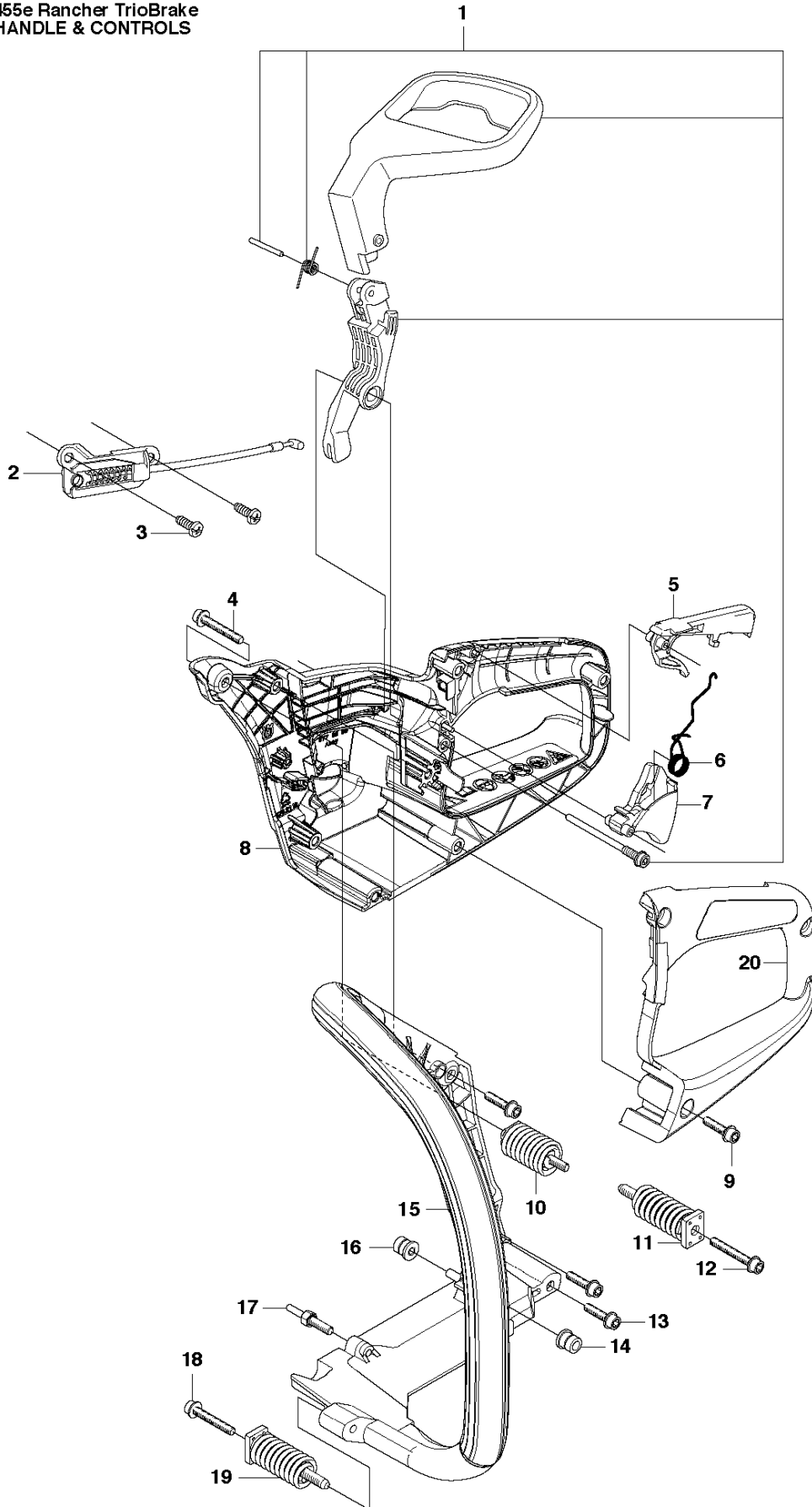


## CRANKCASE

455 E TRIOBRAKE

Ref	Part No	Description	Remark	QTY	KIT
1	503 21 70-10	SCREW CCRPANT		1	
2	537 27 13-02	CHAIN GUIDE PLATE		1	
3	537 28 43-01	HAND GUARD		1	
4	537 29 65-01	SCREW		2	
5	503 86 93-01	SUPPORT		2	
6	537 26 04-01	BELLOWS		1	
7	537 33 46-02	BAR BOLT		2	17
8	537 22 78-01	BAR BOLT		1	17
9	503 89 24-01	LOCK		1	
10	503 43 65-01	POSITION SPRING		1	
11	537 40 35-01	FILTER		1	17
12	530 02 61-19	CHECK VALVE		1	17
13	503 97 38-01	SPIKE		1	
14	503 21 68-20	SCREW IHSCFT		2	
15	503 91 06-71	KIT		1	
16	537 35 95-01	TANK VENT ASSY		1	17
17	510 06 59-04	CRANKCASE		1	

**C** 455e Rancher TrioBrake  
HANDLE & CONTROLS



## HANDLE &amp; CONTROLS

455 E TRIOBRAKE

Ref	Part No	Description	Remark	QTY KIT
1	575 83 16-01	HAND GUARD		1
2	574 21 21-01	WIRE ASSY		1
3	503 21 70-72	SCREW CCRPANT		1
4	503 21 88-25	SCREW IHSCFT		1
5	537 26 24-01	THROTTLE LOCKOUT		1
6	503 99 86-01	RECOIL SPRING		1
7	537 26 05-03	THROTTLE TRIGGER		1
8	581 60 32-01	REAR HANDLE		1
9	503 21 02-70	SCREW IHSCFT		3
10	537 30 46-01	ANTIVIBRATION ELEMENT		1
11	503 85 41-01	ANTIVIBRATION ELEMENT		1
12	503 21 88-76	SCREW IHSCFT		1
13	503 21 02-70	SCREW IHSCFT		3
14	503 86 92-01	BUSHING		1
15	574 21 19-01	FRONT HANDLE		1
16	503 86 92-01	BUSHING		3
17	537 24 29-01	SCREW		1
18	503 21 88-76	SCREW IHSCFT		1
19	503 92 31-01	ANTIVIBRATION ELEMENT		1
20	537 23 07-04	HUB CAP		1