



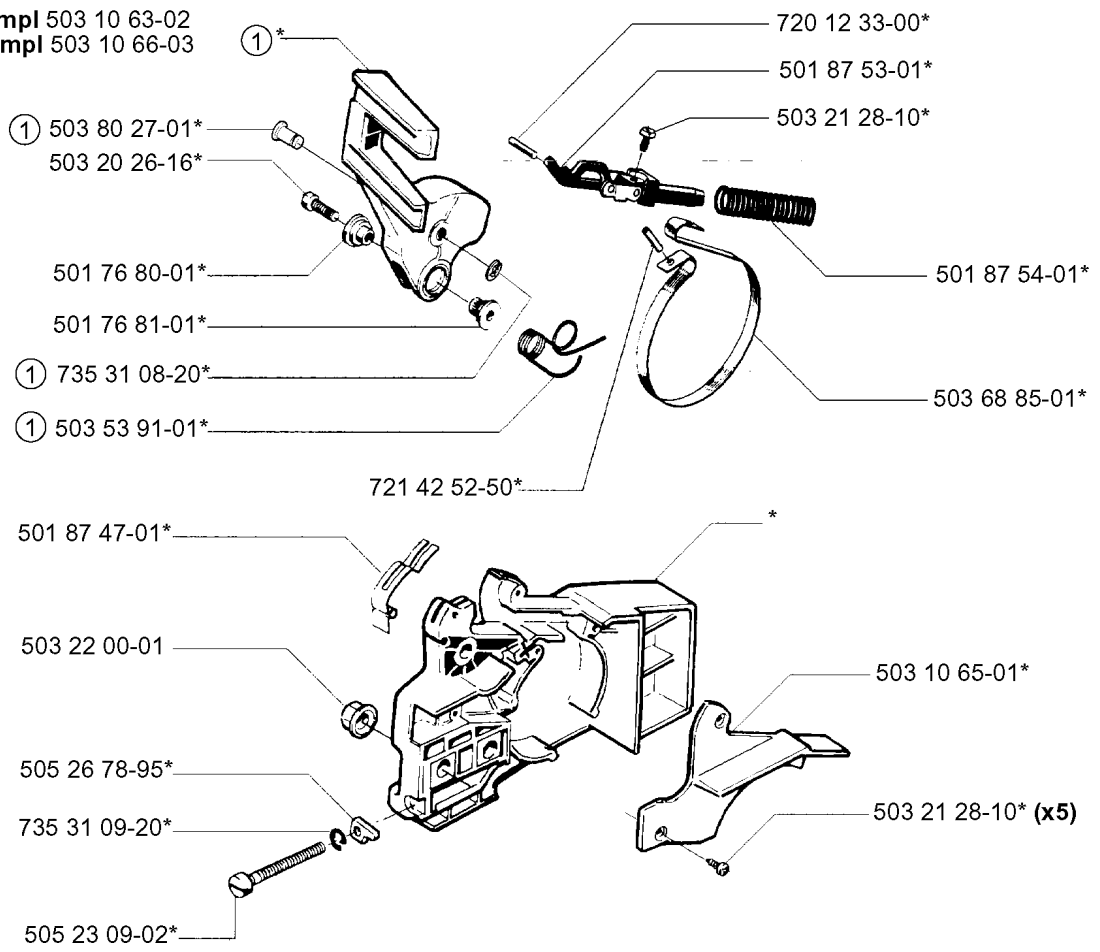
SPARE PARTS LIST

CHAIN SAWS

49, 20013500001-Current

A

*compl 503 10 63-02
 ① compl 503 10 66-03



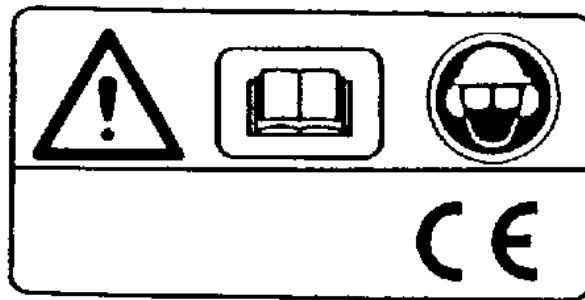
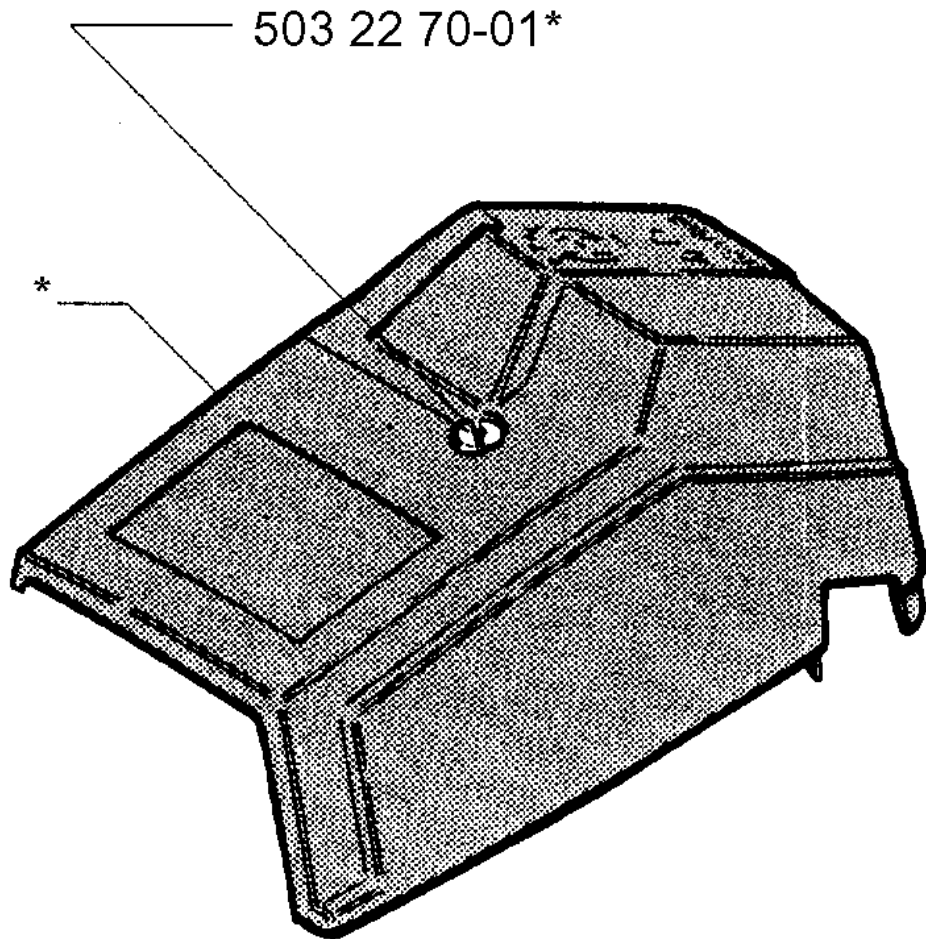
CHAIN BRAKE

49, 20013500001-Current

Part No	Description	Remark	QTY KIT
501 76 80-01	SHAFT		1
501 76 81-01	SHAFT		1
501 87 47-01	SPRING		1
501 87 53-01	KNEE JOINT ASSY		1
501 87 54-01	BRAKE SPRING		1
503 10 63-02	CHAIN BRAKE		1
503 10 65-01	HUB CAP		1
503 10 66-03	HAND GUARD ASSY		1
503 20 26-16	SCREW IHSCM		1
503 21 28-10	SCREW CCRPANT		1
503 21 28-10	SCREW CCRPANT		5
503 22 00-01	HEXAGON NUT		1
503 53 91-01	POSITION SPRING		1
503 68 85-01	BRAKE BAND		1
503 80 27-01	PIVOT PIN		1
505 23 09-02	SCREW		1
505 26 78-95	PAWL		1
720 12 33-00	PARALLEL PIN		1
721 42 52-50	SPRING PIN		1
735 31 08-20	E-CLIP		1
735 31 09-20	E-CLIP		1

B

***compl 503 50 20-06 (USA)**



503 98 74-01*

COVER

49, 20013500001-Current

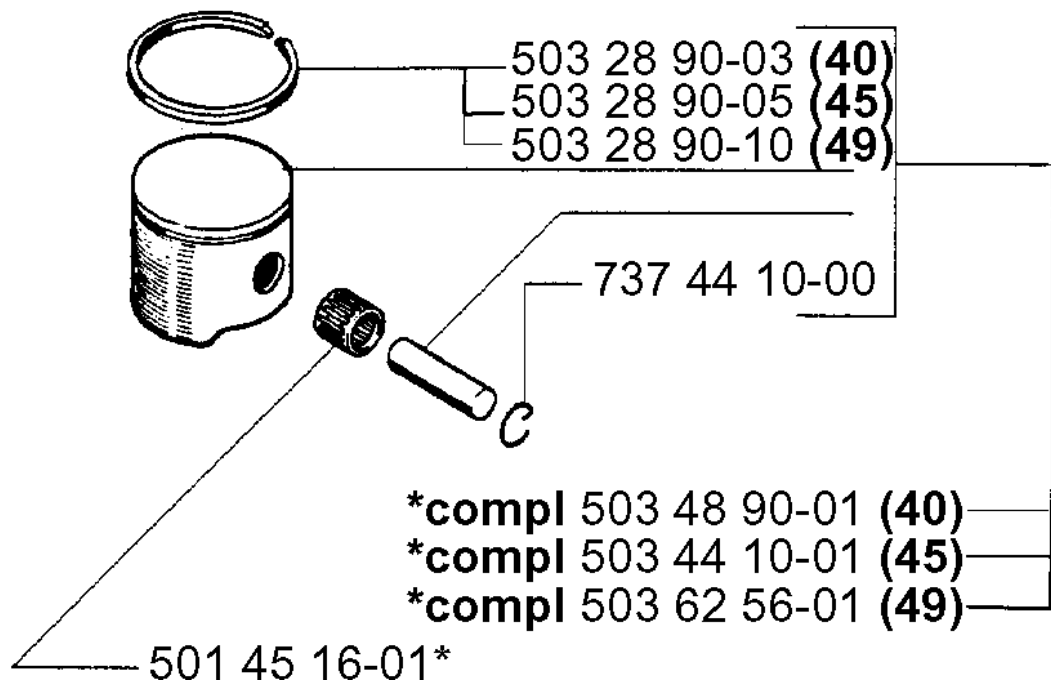
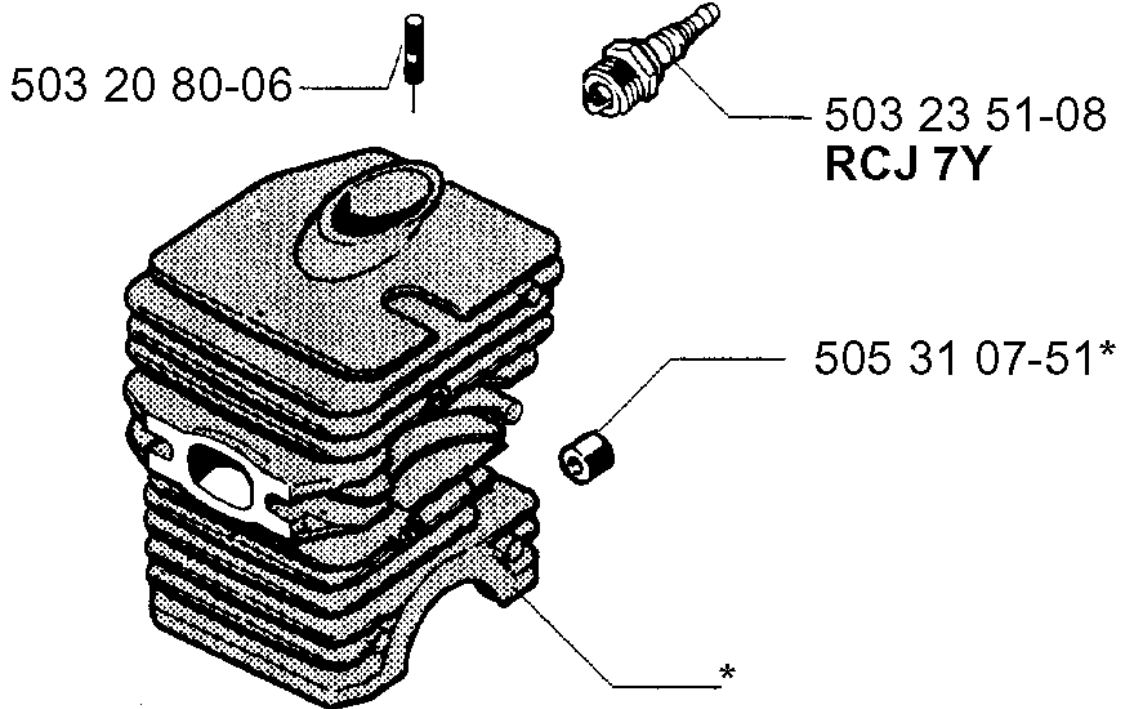
Part No	Description	Remark	QTY KIT
503 22 70-01	NUT		1
503 50 20-06	CYLINDER COVER ASSY	USA	1
503 98 74-01	LABEL		1

C

***compl 506 01 06-07 (40)**

***compl 503 44 08-02 (45)**

***compl 503 62 55-02 (49)**

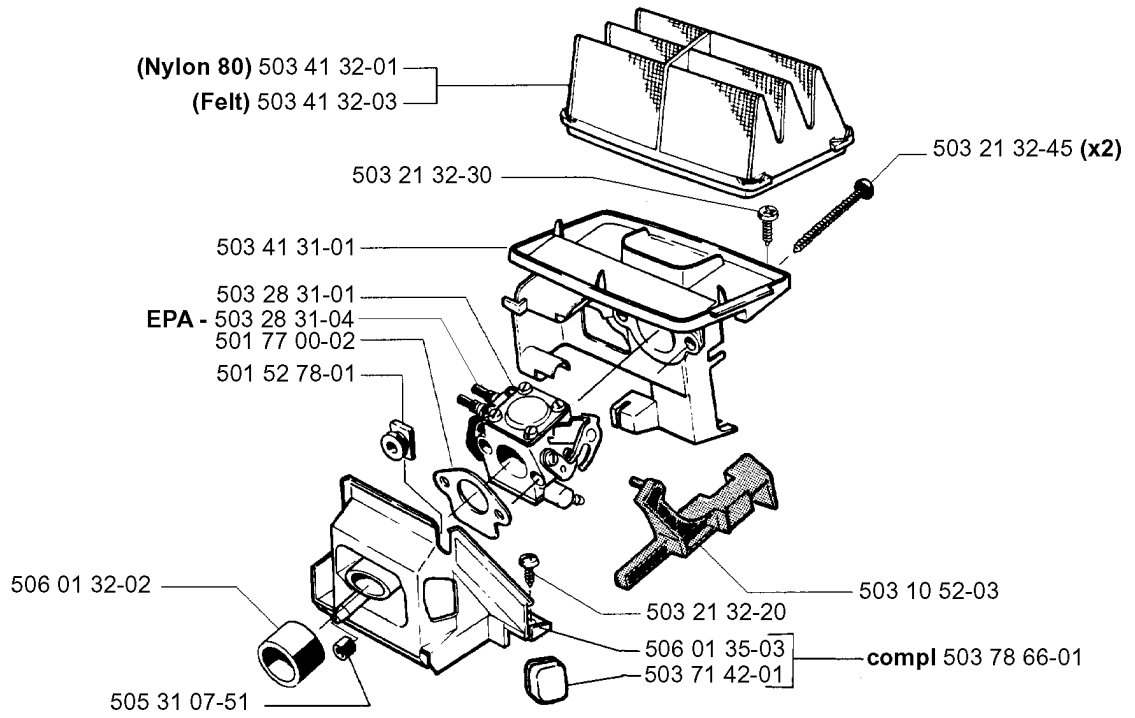


CYLINDER PISTON

49, 20013500001-Current

Part No	Description	Remark	QTY KIT
501 45 16-01	NEEDLE BEARING		1
503 20 80-06	SCREW		1
503 23 51-08	SPARK PLUG	RCJ 7Y	1
503 28 90-03	PISTON RING	40	1
503 28 90-05	PISTON RING	45	1
503 28 90-10	PISTON RING	49	1
503 44 08-02	CYLINDER ASSY	45	1
503 44 10-01	PISTON ASSY	45	1
503 48 90-01	PISTON ASSY	40	1
503 62 55-02	CYLINDER ASSY	49	1
503 62 56-01	PISTON ASSY	49	1
505 31 07-51	IMPULSE HOSE		1
506 01 06-07	CYLINDER ASSY	40	1
737 44 10-00	SNAP RING		1

D

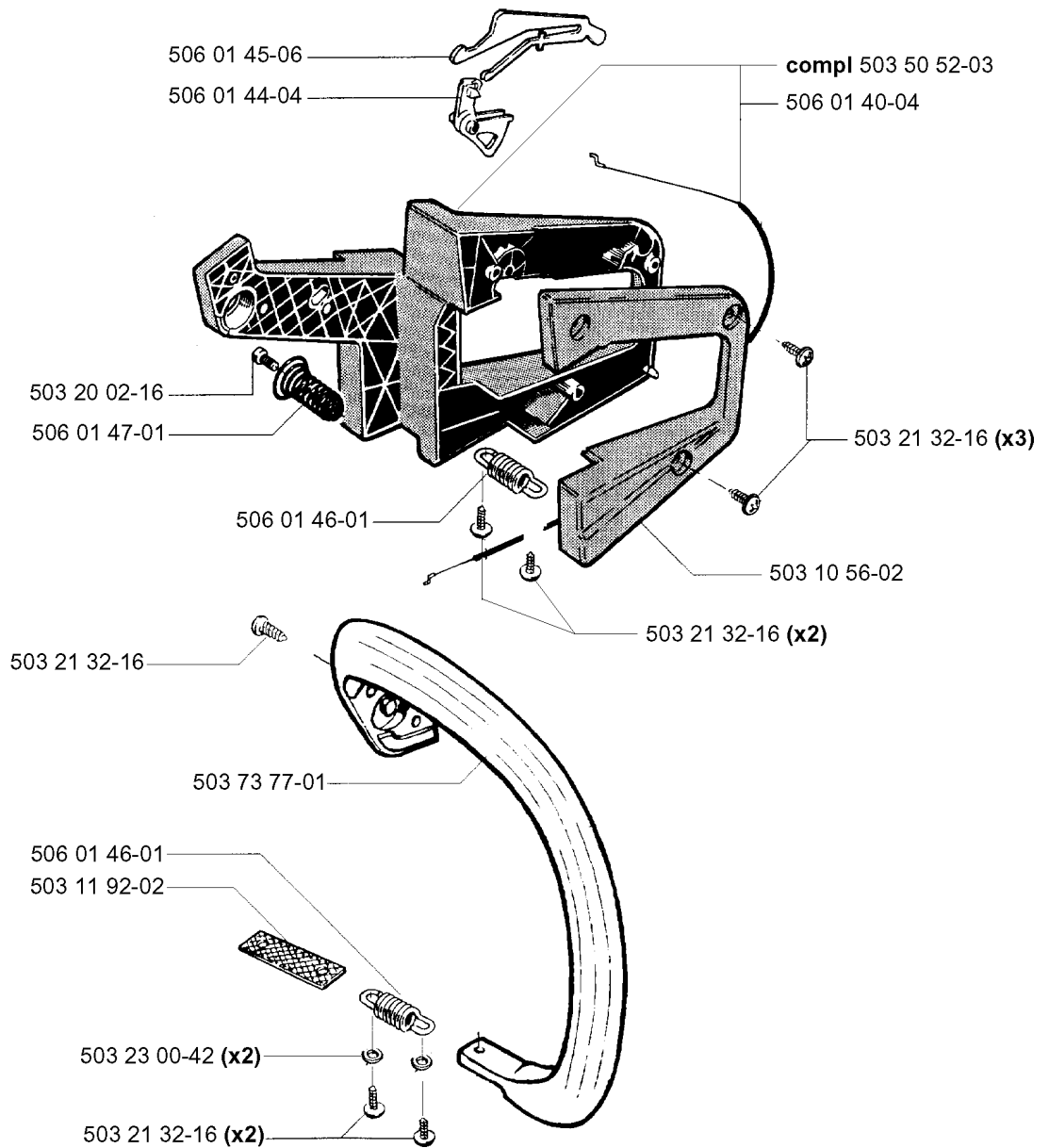


CARBURETOR & AIR FILTER

49, 20013500001-Current

Part No	Description	Remark	QTY KIT
501 52 78-01	GROMMET		1
501 77 00-02	GASKET		1
503 10 52-03	CHOKE CONTROL		1
503 21 32-20	SCREW CITXPANT		1
503 21 32-30	SCREW CITXPANT		1
503 21 32-45	SCREW CITXPANT		2
503 28 31-01	CARBURETTOR		1
503 28 31-04	CARBURETTOR	EPA	1
503 41 31-01	AIR FILTER HOLDER		1
503 41 32-01	AIR FILTER	NYLON 80	1
503 41 32-03	AIR FILTER	FELT	1
503 71 42-01	PLUG		1
503 78 66-01	KIT		1
505 31 07-51	IMPULSE HOSE		1
506 01 32-02	INLET PIPE		1
506 01 35-03	INSULATION WALL		1

E



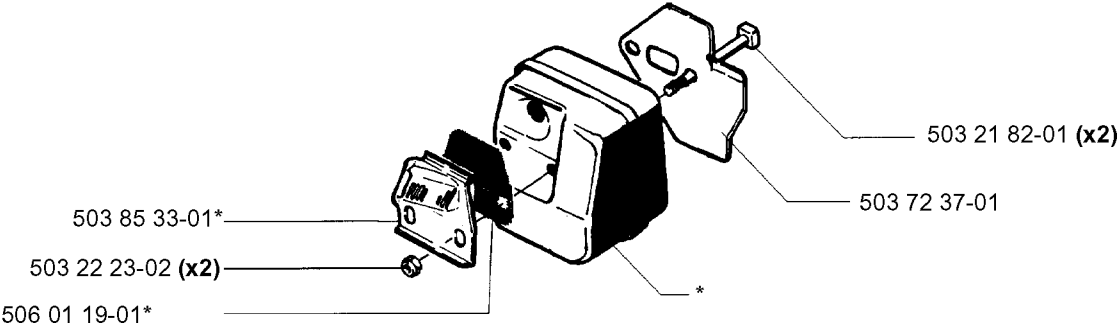
HANDLE

49, 20013500001-Current

Part No	Description	Remark	QTY KIT
503 10 56-02	HANDLE HALF		1
503 11 92-02	STRAP		1
503 20 02-16	SCREW IHSCFM		1
503 21 32-16	SCREW CITXPANT		2
503 21 32-16	SCREW CITXPANT		1
503 21 32-16	SCREW CITXPANT		3
503 21 32-16	SCREW CITXPANT		2
503 23 00-42	WASHER		2
503 50 52-03	HANDLE HALF		1
503 73 77-01	FRONT HANDLE		1
506 01 40-04	THROTTLE CABLE		1
506 01 44-04	THROTTLE TRIGGER		1
506 01 45-06	THROTTLE LOCKOUT		1
506 01 46-01	ANTIVIBRATION ELEMENT		1
506 01 46-01	ANTIVIBRATION ELEMENT		1
506 01 47-01	ANTIVIBRATION ELEMENT		1

F

*compl 503 59 51-03



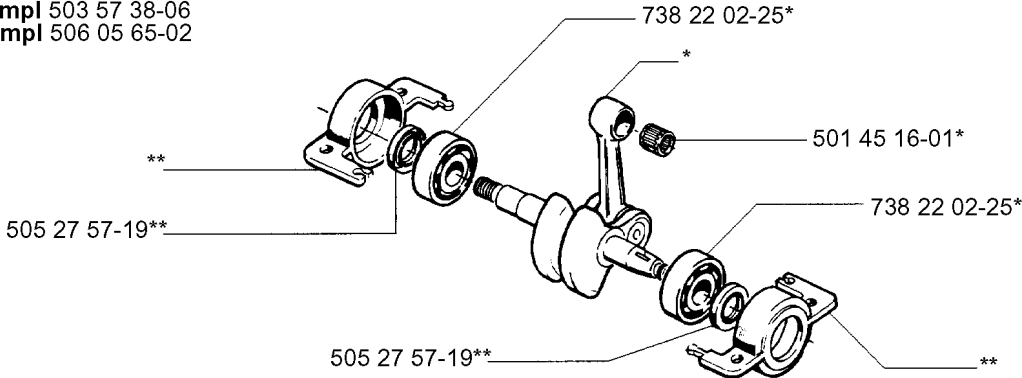
MUFFLER

49, 20013500001-Current

Part No	Description	Remark	QTY KIT
503 21 82-01	SCREW		2
503 22 23-02	LOCK NUT		2
503 59 51-03	MUFFLER KIT		1
503 72 37-01	PLATE		1
503 85 33-01	EXHAUST DUCT		1
506 01 19-01	SPARK ARRESTER		1

G

*compl 503 57 38-06
**compl 506 05 65-02

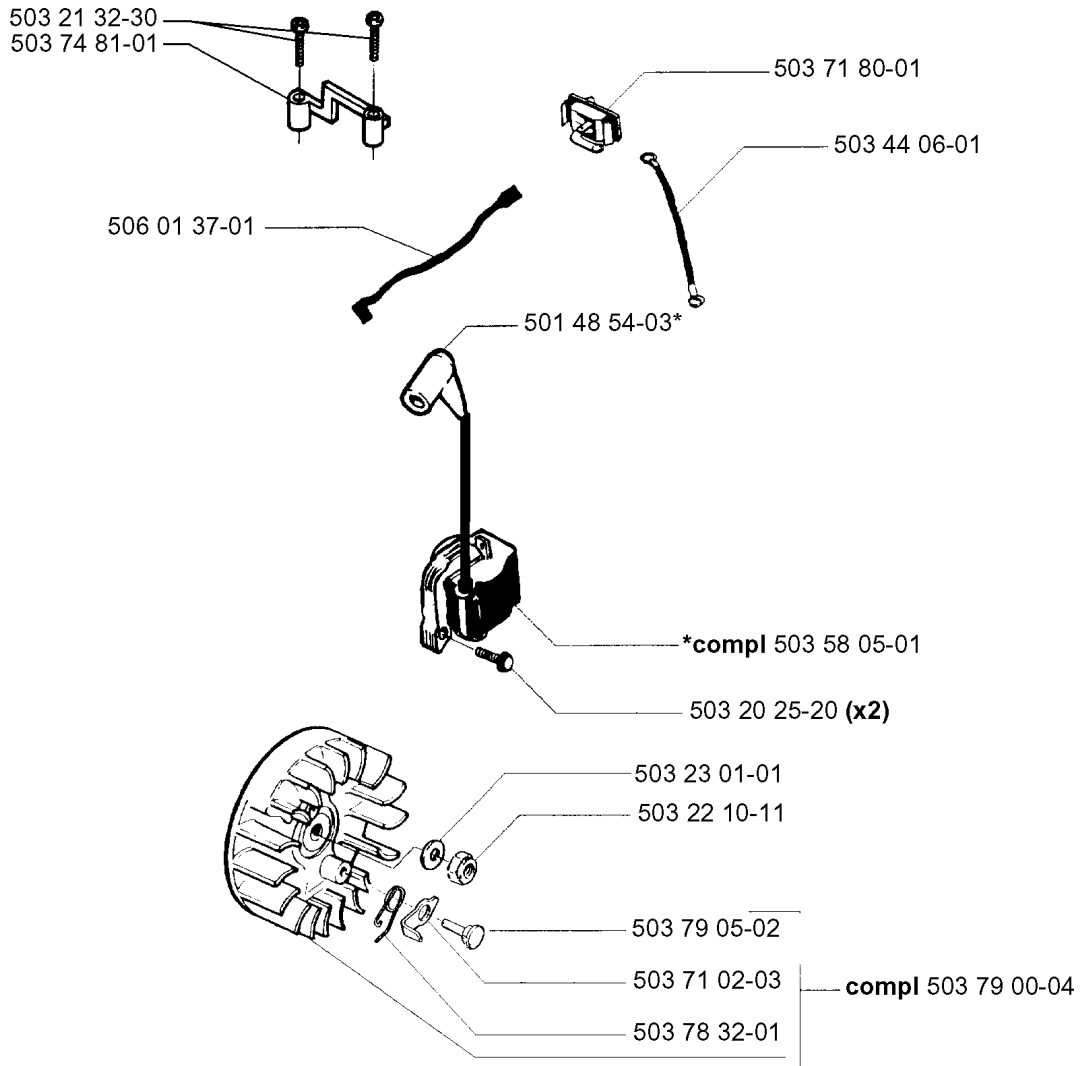


CRANKSHAFT

49, 20013500001-Current

Part No	Description	Remark	QTY KIT
501 45 16-01	NEEDLE BEARING		1
503 57 38-06	CRANKSHAFT ASSY		1
505 27 57-19	SEALING RING		1
505 27 57-19	SEALING RING		1
506 05 65-02	SEAL		1
738 22 02-25	BALL BEARING		1
738 22 02-25	BALL BEARING		1

H

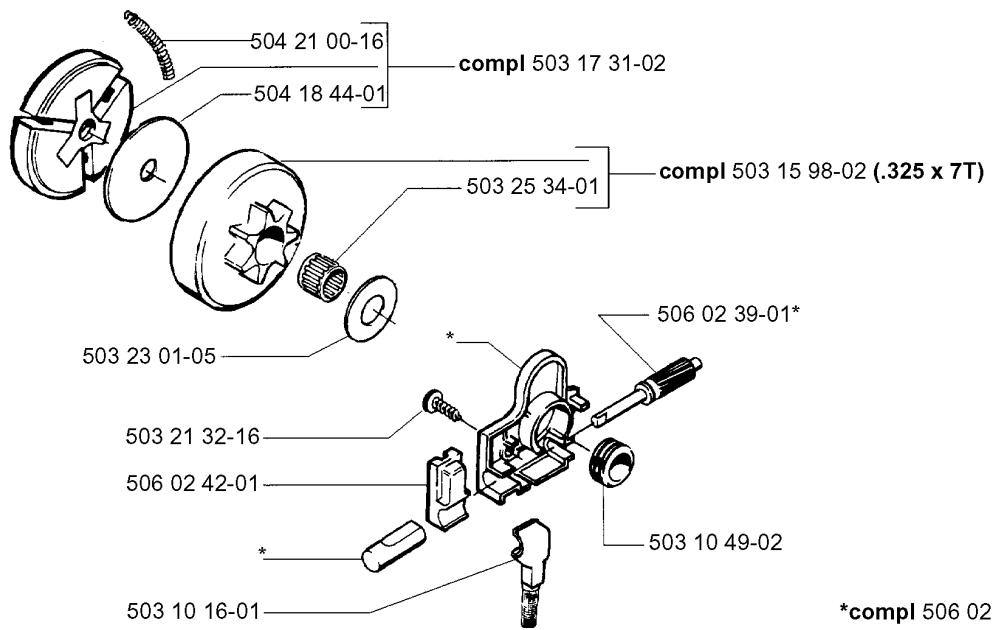


CLUTCH & OIL PUMP

49, 20013500001-Current

Part No	Description	Remark	QTY KIT
501 48 54-03	SPARK PLUG		1
503 20 25-20	SCREW IHSCM		2
503 21 32-30	SCREW CITXPANT		1
503 22 10-11	HEXAGON NUT		1
503 23 01-01	WASHER		1
503 44 06-01	GROUND CABLE		1
503 58 05-01	IGNITION MODULE		1
503 71 02-03	STARTER PAWL		1
503 71 80-01	STOP SWITCH		1
503 74 81-01	CLAMP		1
503 78 32-01	SPRING		1
503 79 00-04	FLYWHEEL		1
503 79 05-02	RIVET		1
506 01 37-01	CABLE		1

J

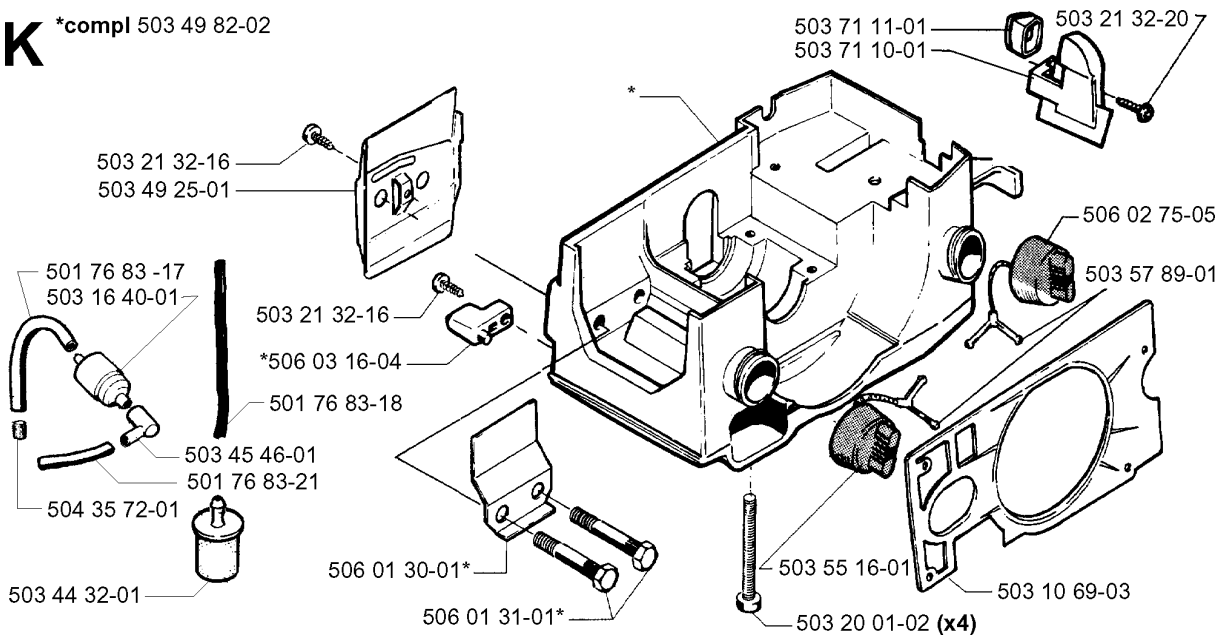


CLUTCH & OIL PUMP

49, 20013500001-Current

Part No	Description	Remark	QTY KIT
503 10 16-01	SUCTION HOSE ASSY		1
503 10 49-02	PUMP PINION		1
503 15 98-02	CLUTCH DRUM	.325 X 7T	1
503 17 31-02	CLUTCH		1
503 21 32-16	SCREW CITXPANT		1
503 23 01-05	WASHER		1
503 25 34-01	NEEDLE BEARING		1
504 18 44-01	WASHER		1
504 21 00-16	CLUTCH SPRING		1
506 02 39-01	PUMP PISTON		1
506 02 42-01	PRESSURE PIPE		1
506 02 77-01	OIL PUMP ASSY		1

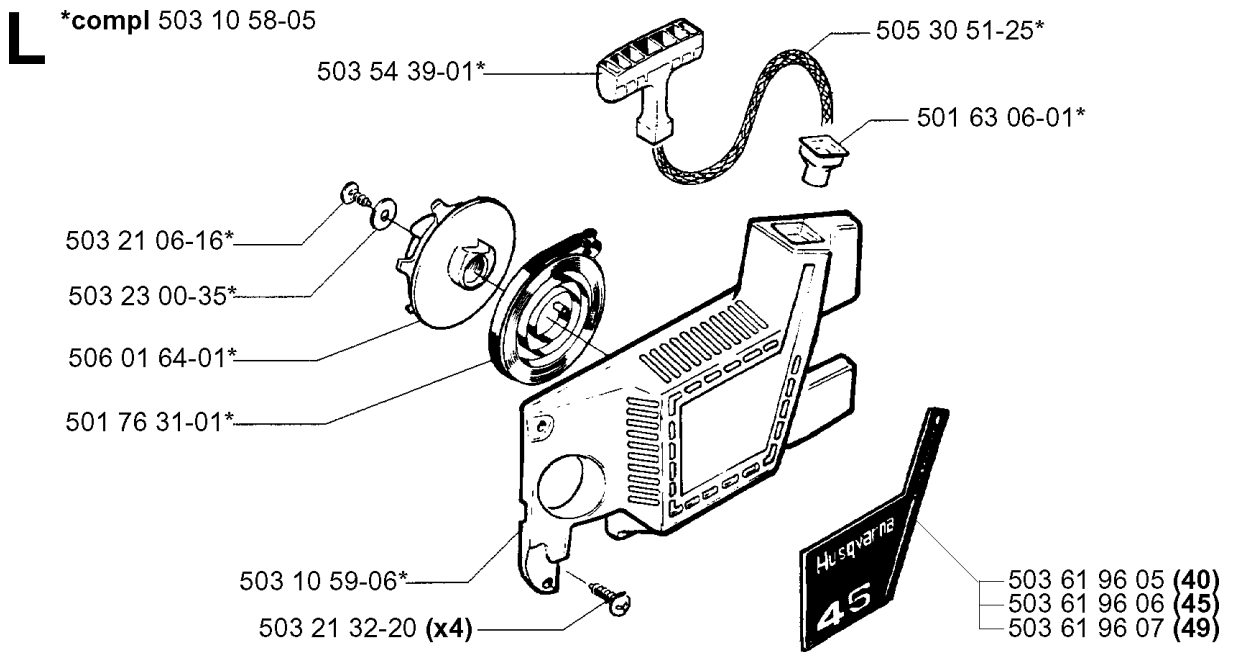
K *compl 503 49 82-02



CRANKCASE

49, 20013500001-Current

Part No	Description	Remark	QTY KIT
501 76 83-17	FUEL HOSE		1
501 76 83-18	FUEL HOSE		1
501 76 83-21	FUEL HOSE		1
503 10 69-03	BAR		1
503 16 40-01	TANK VENT		1
503 20 01-02	SCREW EHHFMO		4
503 21 32-16	SCREW CITXPANT		1
503 21 32-16	SCREW CITXPANT		1
503 21 32-20	SCREW CITXPANT		1
503 44 32-01	FUEL FILTER		1
503 45 46-01	CONNECTION BEND		1
503 49 25-01	CHAIN GUIDE PLATE		1
503 49 82-02	TANK ASSY		1
503 55 16-01	TANK CAP ASSY		1
503 57 89-01	HOLDER		1
503 71 10-01	NOZZLE		1
503 71 11-01	GROMMET		1
504 35 72-01	PLUG		1
506 01 30-01	HEAT PROTECTOR		1
506 01 31-01	BAR BOLT		1
506 02 75-05	TANK CAP ASSY		1
506 03 16-04	CHAIN CATCHER		1



STARTER

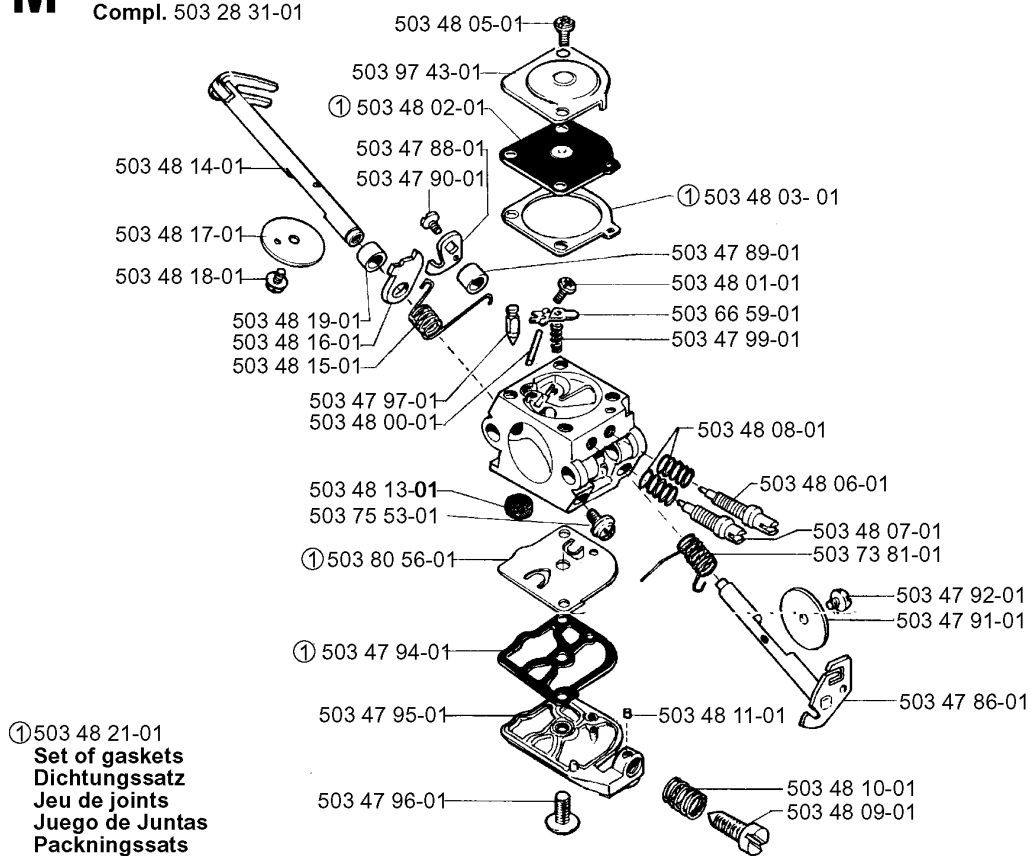
49, 20013500001-Current

Part No	Description	Remark	QTY KIT
501 63 06-01	SLEEVE		1
501 76 31-01	SPRING CASSETTE ASSY		1
503 10 58-05	STARTER ASSY		1
503 10 59-06	STARTER HOUSING		1
503 21 06-16	SCREW IHSCCT		1
503 21 32-20	SCREW CITXPANT		4
503 23 00-35	WASHER		1
503 54 39-01	STARTER HANDLE		1
503 61 96-05	LABEL	40	1
503 61 96-06	LABEL	45	1
503 61 96-07	LABEL	49	1
505 30 51-25	STARTER CORD		1
506 01 64-01	STARTER PULLEY		1

M

Compl. 503 28 31-01

ZAMA C1Q - EL 1



CARBURETOR DETAILS

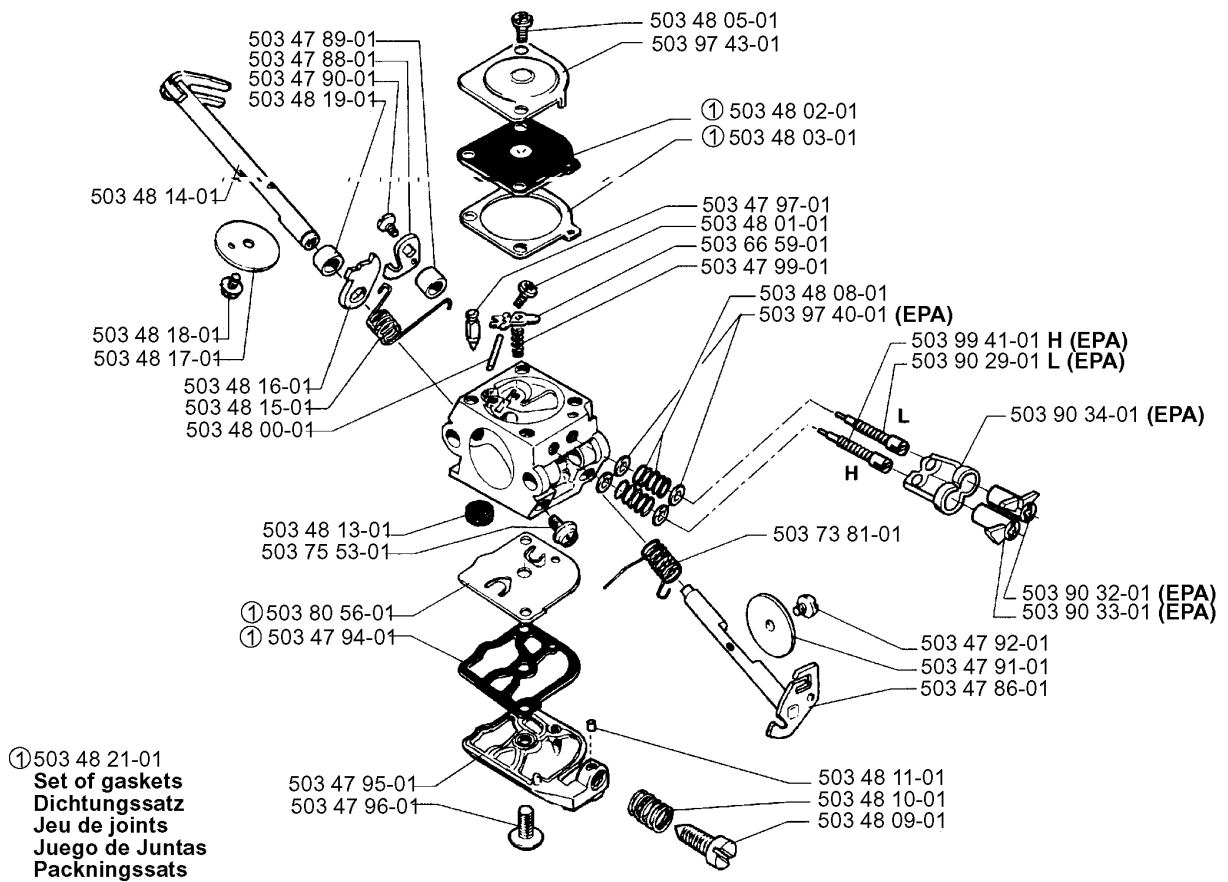
49, 20013500001-Current

Part No	Description	Remark	QTY KIT
503 28 31-01	CARBURETTOR		1
503 47 86-01	SHAFT ASSY		1
503 47 88-01	LEVER		1
503 47 89-01	COLLAR		1
503 47 90-01	SCREW		1
503 47 91-01	VALVE		1
503 47 92-01	SCREW		1
503 47 94-01	GASKET	503 48 21-01 SET OF GASKETS	1
503 47 95-01	COVER		1
503 47 96-01	SCREW		1
503 47 97-01	VALVE		1
503 47 99-01	SPRING		1
503 48 00-01	PIN RETAINING SCREW		1
503 48 01-01	SCREW		1
503 48 02-01	DIAPHRAGM	503 48 21-01 SET OF GASKETS	1
503 48 03-01	GASKET	503 48 21-01 SET OF GASKETS	1
503 48 05-01	SCREW		1
503 48 06-01	SCREW		1
503 48 07-01	SCREW		1
503 48 08-01	SPRING		1
503 48 09-01	SCREW		1
503 48 10-01	SPRING		1
503 48 11-01	PIECE		1
503 48 13-01	STRAINER		1
503 48 14-01	SHAFT ASSY		1
503 48 15-01	SPRING		1
503 48 16-01	LEVER		1
503 48 17-01	VALVE		1
503 48 18-01	SCREW		1
503 48 19-01	COLLAR		1
503 66 59-01	LEVER		1
503 73 81-01	RECOIL SPRING		1
503 75 53-01	SCREW		1
503 80 56-01	DIAPHRAGM PUMP	503 48 21-01 SET OF GASKETS	1
503 97 43-01	COVER		1

N

Compl. 503 28 31-04

ZAMA C1Q - EL 5 (EPA)



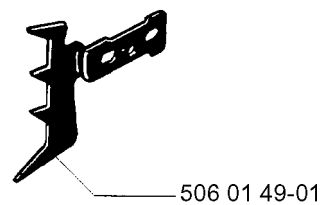
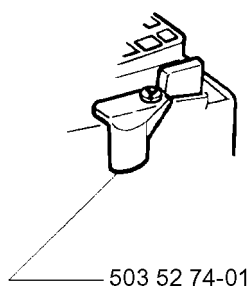
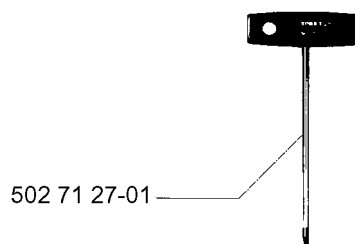
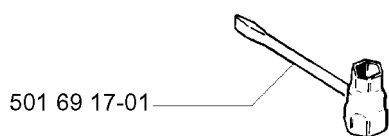
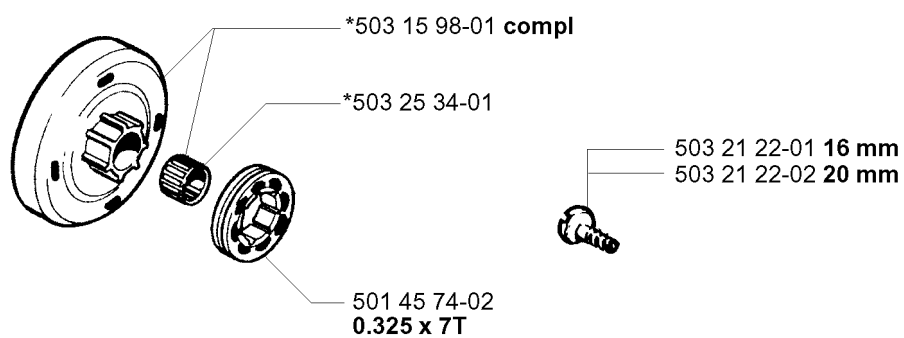
CARBURETOR DETAILS

49, 20013500001-Current

Part No	Description	Remark	QTY KIT
503 28 31-04	CARBURETTOR		1
503 47 86-01	SHAFT ASSY		1
503 47 88-01	LEVER		1
503 47 89-01	COLLAR		1
503 47 90-01	SCREW		1
503 47 91-01	VALVE		1
503 47 92-01	SCREW		1
503 47 94-01	GASKET	503 48 21-01 SET OF GASKETS	1
503 47 95-01	COVER		1
503 47 96-01	SCREW		1
503 47 97-01	VALVE		1
503 47 99-01	SPRING		1
503 48 00-01	PIN RETAINING SCREW		1
503 48 01-01	SCREW		1
503 48 02-01	DIAPHRAGM	503 48 21-01 SET OF GASKETS	1
503 48 03-01	GASKET	503 48 21-01 SET OF GASKETS	1
503 48 05-01	SCREW		1
503 48 08-01	SPRING		1
503 48 09-01	SCREW		1
503 48 10-01	SPRING		1
503 48 11-01	PIECE		1
503 48 13-01	STRAINER		1
503 48 14-01	SHAFT ASSY		1
503 48 15-01	SPRING		1
503 48 16-01	LEVER		1
503 48 17-01	VALVE		1
503 48 18-01	SCREW		1
503 48 19-01	COLLAR		1
503 66 59-01	LEVER		1
503 73 81-01	RECOIL SPRING		1
503 75 53-01	SCREW		1
503 80 56-01	DIAPHRAGM PUMP	503 48 21-01 SET OF GASKETS	1
503 90 29-01	SCREW	L (EPA)	1
503 90 32-01	LIMITER CAP	EPA	1
503 90 33-01	LIMITER CAP	EPA	1
503 90 34-01	RETAINER	EPA	1
503 97 40-01	WASHER	EPA	1
503 97 43-01	COVER		1
503 99 41-01	NEEDLE	H (EPA)	1

P

Accessories
Zubehöre
Accessoires
Accesorios
Tillbehör



ACCESSORIES

49, 20013500001-Current

Part No	Description	Remark	QTY KIT
501 45 74-02	RIM	0.325 X 7T	1
501 69 17-01	COMBINATION WRENCH		1
502 71 27-01	WRENCH		1
503 15 98-01	CLUTCH DRUM		1
503 21 22-01	SCREW SLPANT	16 MM	1
503 21 22-02	SCREW SLPANT	20 MM	1
503 25 34-01	NEEDLE BEARING		1
503 52 74-01	PEN		1
506 01 49-01	SPIKE		1
506 02 39-02	PUMP PISTON	VEG. OIL	1