

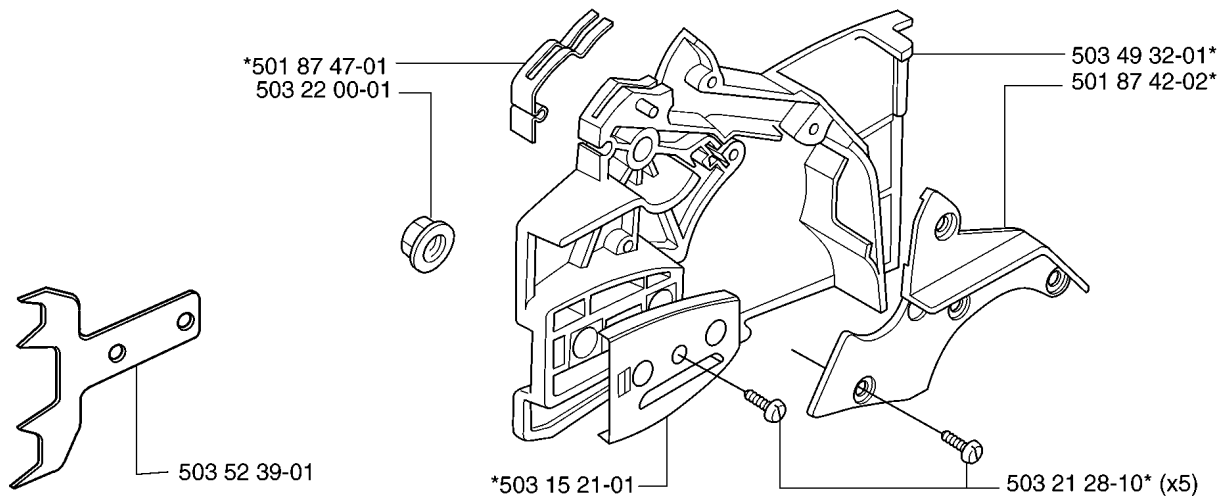
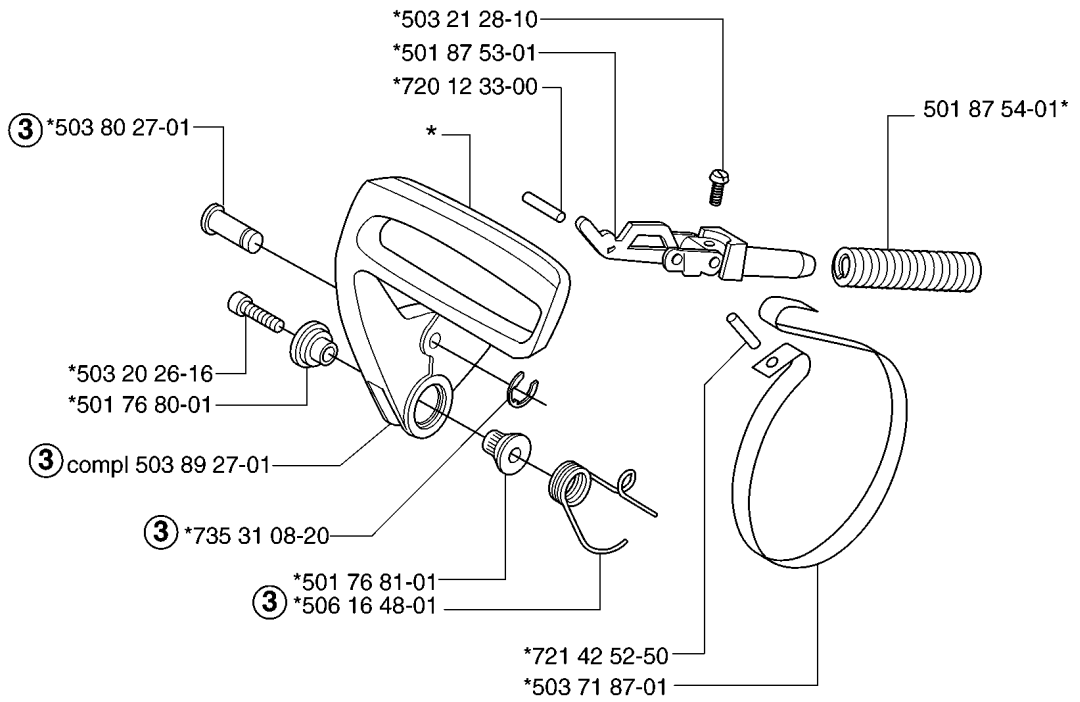


# SPARE PARTS LIST

CHAIN SAWS

55, 20070500001-Current

**A** \*compl 503 49 81-03

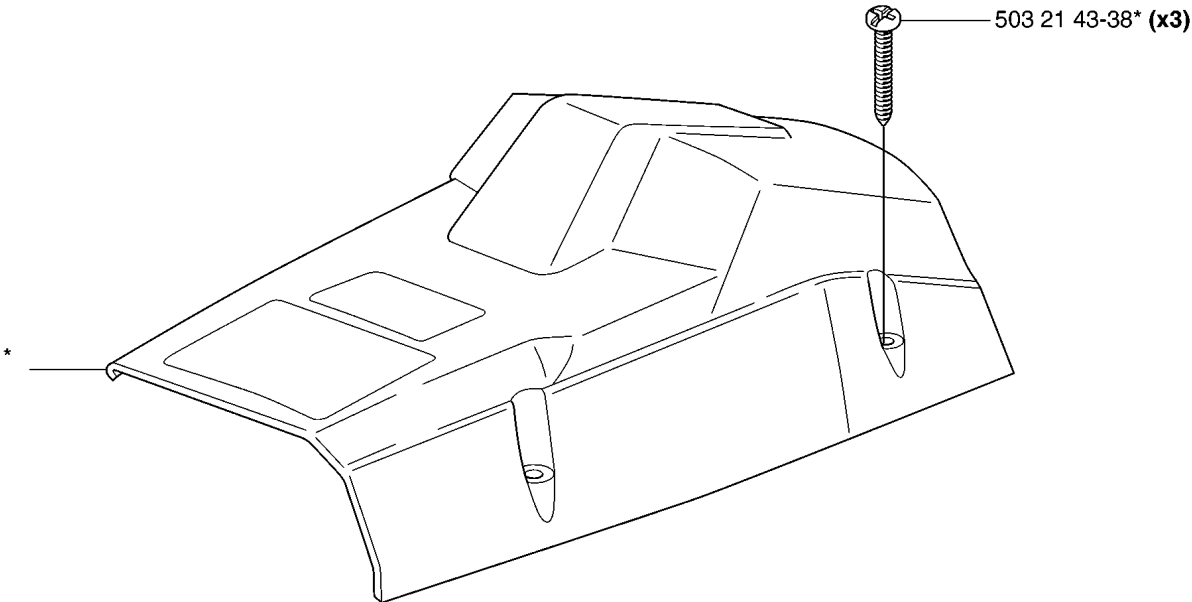


## CHAIN BRAKE &amp; CLUTCH COVER

55, 20070500001-Current

Part No	Description	Remark	QTY KIT
501 76 80-01	SHAFT		1
501 76 81-01	SHAFT		1
501 87 42-02	HUB CAP		1
501 87 47-01	SPRING		1
501 87 53-01	KNEE JOINT ASSY		1
501 87 54-01	BRAKE SPRING		1
503 15 21-01	COVER SHEET		1
503 20 26-16	SCREW IHSCM		1
503 21 28-10	SCREW CCRPANT		5
503 21 28-10	SCREW CCRPANT		1
503 22 00-01	HEXAGON NUT		1
503 49 32-01	CLUTCH COVER		1
503 49 81-03	CLUTCH COVER ASSY		1
503 52 39-01	SPIKE		1
503 71 87-01	BRAKE BAND		1
503 80 27-01	PIVOT PIN		1
503 89 27-01	HAND GUARD		1
506 16 48-01	POSITION SPRING		1
720 12 33-00	PARALLEL PIN		1
721 42 52-50	SPRING PIN		1
735 31 08-20	E-CLIP		1

**B** \*compl 503 60 90-06



\*503 98 74-01

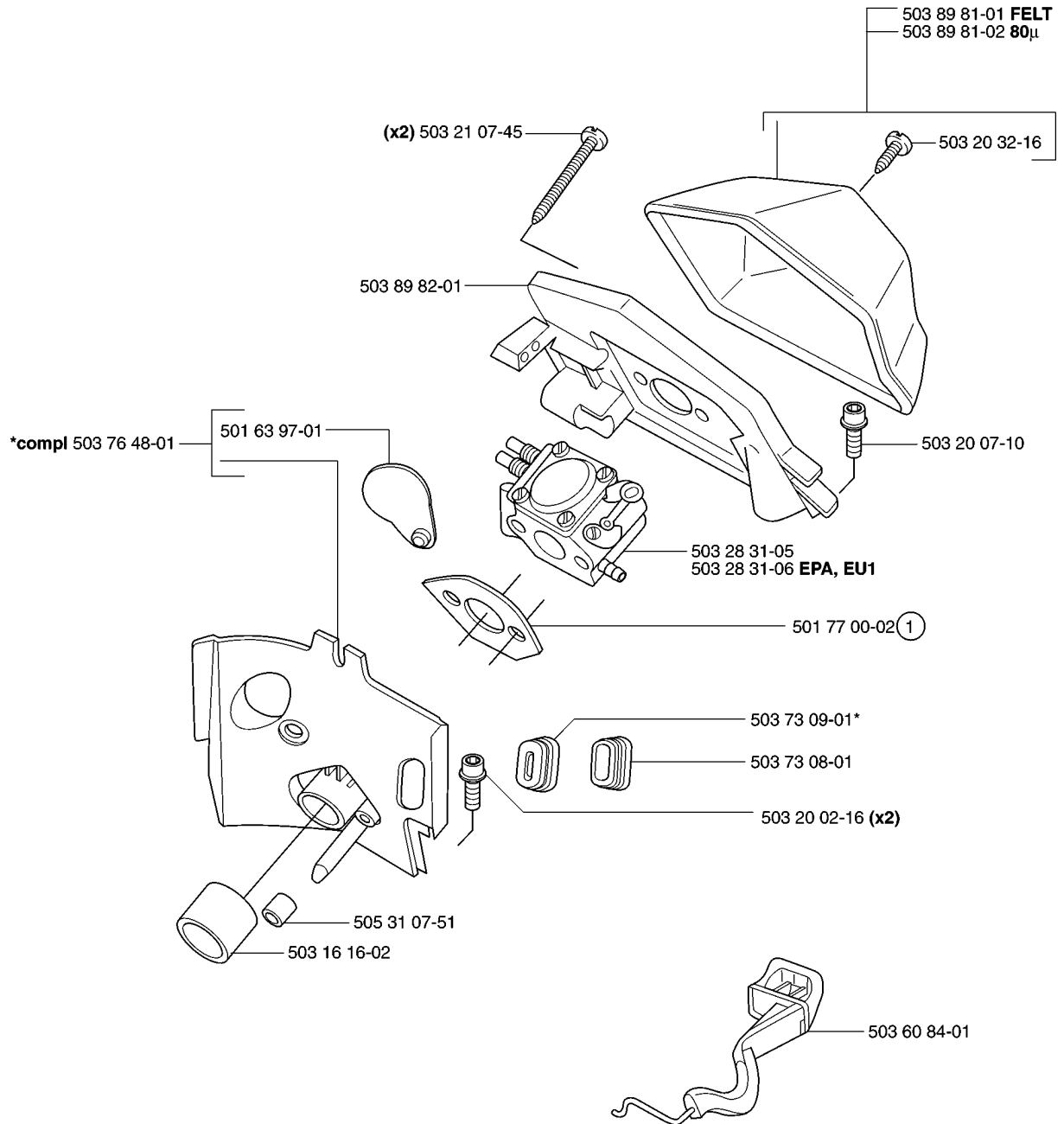
A rectangular box containing a grid of eight safety icons. The icons include: a warning triangle with an exclamation mark, an open book, a person with a hand on their forehead, a person with a hand on their back, a person with a hand on their chest, a person with a hand on their shoulder, a person with a hand on their arm, and a person with a hand on their leg.

CYLINDER COVER

55, 20070500001-Current

Part No	Description	Remark	QTY KIT
503 21 43-38	SCREW		3
503 60 90-06	CYLINDER COVER ASSY		1
503 98 74-01	LABEL		1

C

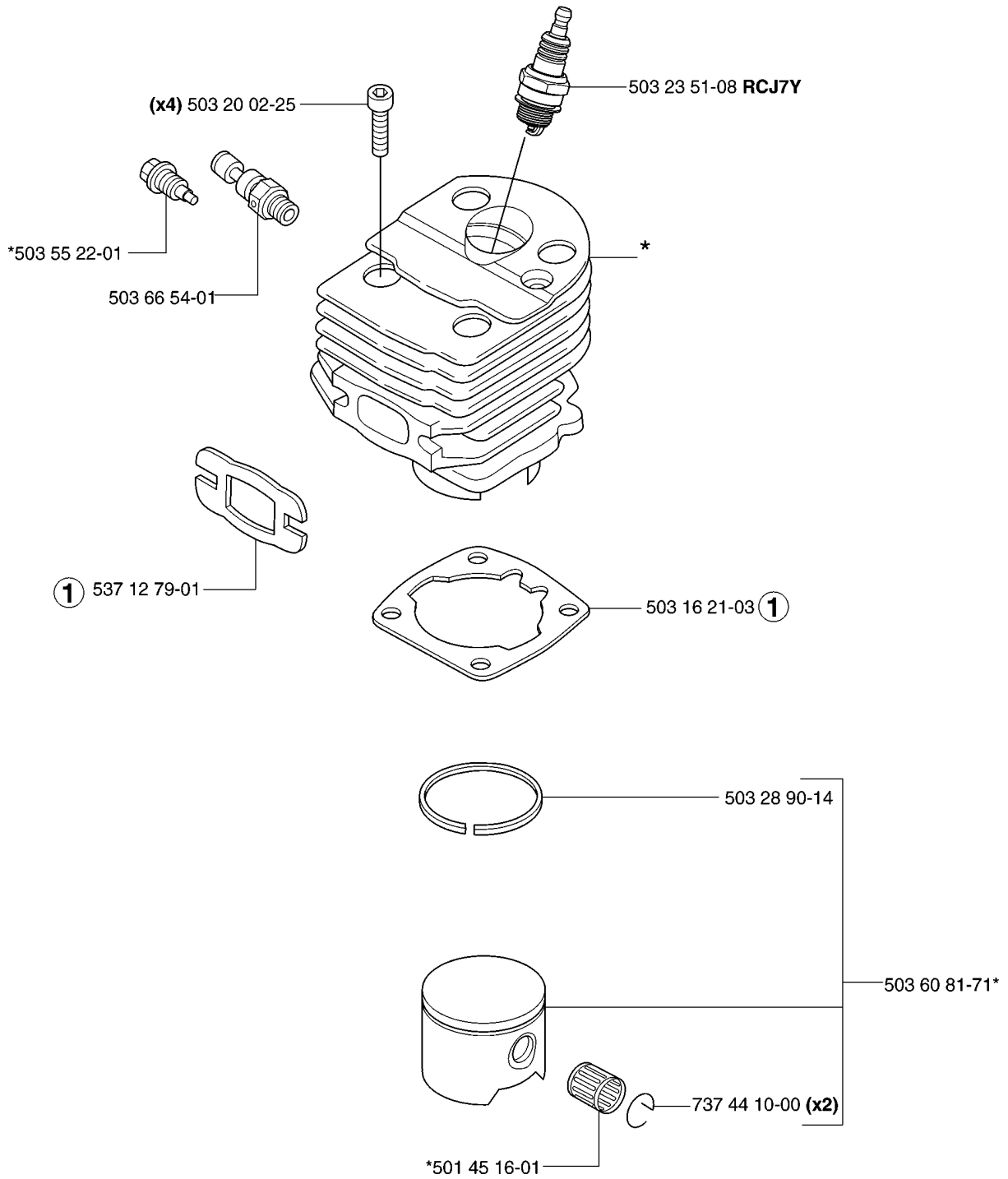


## CARBURETOR &amp; AIR FILTER

55, 20070500001-Current

Part No	Description	Remark	QTY KIT
501 63 97-01	COVER		1
501 77 00-02	GASKET		1
503 16 16-02	INLET PIPE		1
503 20 02-16	SCREW IHSCFM		2
503 20 07-10	SCREW IHSCFM		1
503 20 32-16	SCREW CCRPANMO		1
503 21 07-45	SCREW IHSCF		2
503 28 31-05	CARBURETTOR		1
503 28 31-06	CARBURETTOR		1
503 60 84-01	CHOKE CONTROL		1
503 73 08-01	GROMMET		1
503 73 09-01	PLUG		1
503 76 48-01	KIT		1
503 89 81-01	AIR FILTER		1
503 89 82-01	AIR FILTER HOLDER		1
505 31 07-51	IMPULSE HOSE		1

**D** \*compl 503 60 91-71



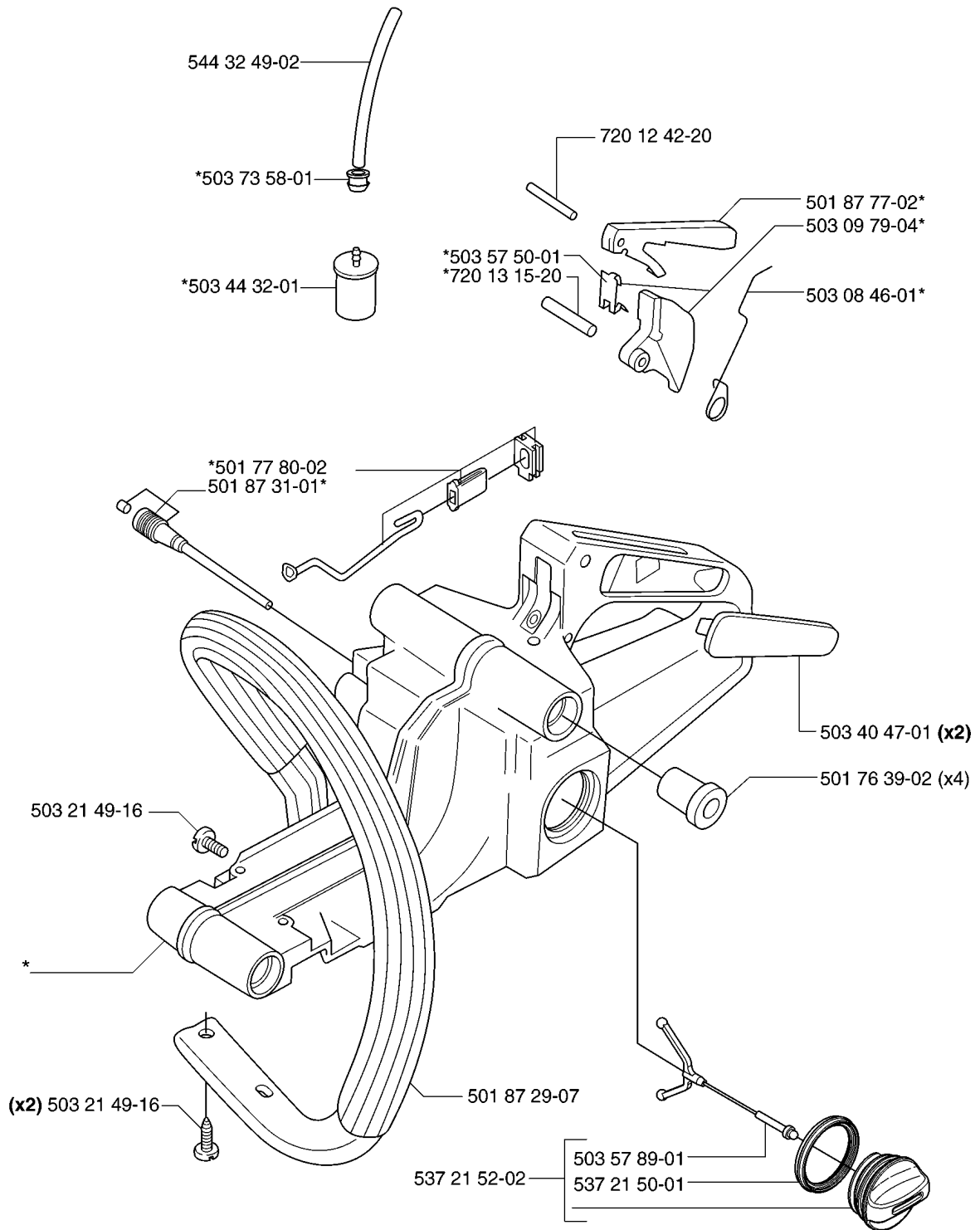


## CYLINDER PISTON

55, 20070500001-Current

Part No	Description	Remark	QTY KIT
501 45 16-01	NEEDLE BEARING		1
503 16 21-03	GASKET		1
503 20 02-25	SCREW IHSCFM		4
503 23 51-08	SPARK PLUG		1
503 28 90-14	PISTON RING		1
503 55 22-01	PLUG		1
503 60 81-71	PISTON ASSY		1
503 60 91-71	CYLINDER ASSY		1
503 66 54-01	DECOMPRESSION VALVE		1
537 12 79-01	GASKET		1
737 44 10-00	SNAP RING		2

**E** \*compl 501 76 13-10

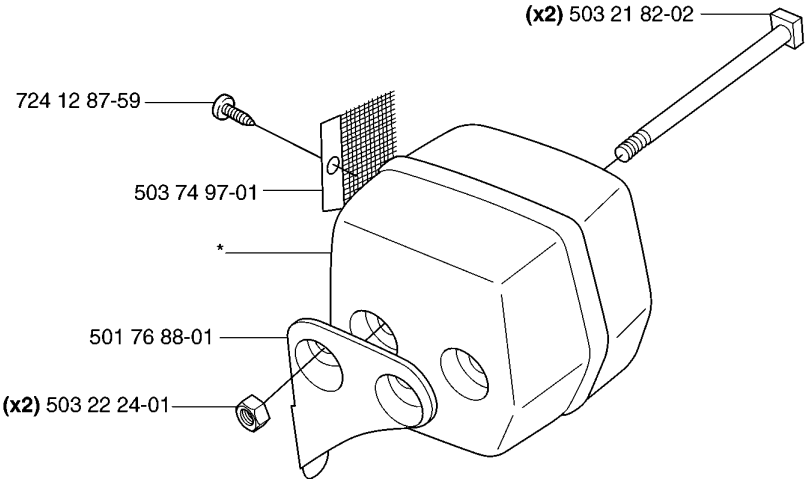


## FUEL TANK

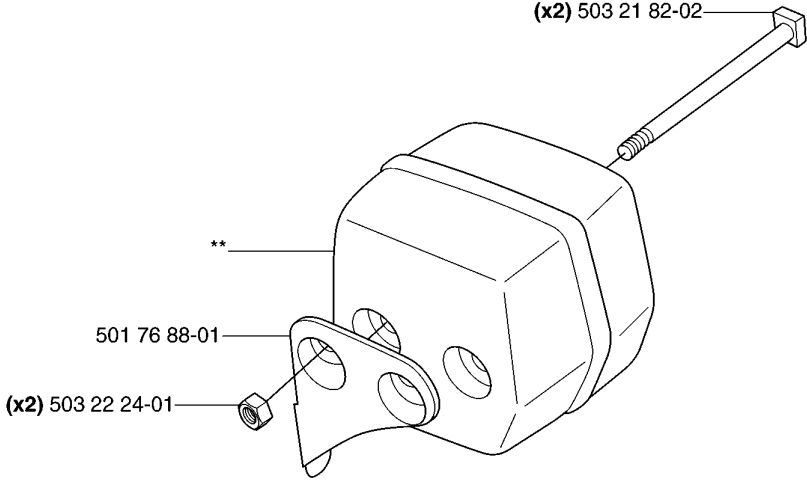
55, 20070500001-Current

Part No	Description	Remark	QTY KIT
501 76 13-10	FUEL TANK		1
501 76 39-02	ANTIVIBRATION ELEMENT		4
501 77 80-02	TRIGGER		1
501 87 29-07	FRONT HANDLE ASSY		1
501 87 31-01	TANK VENT ASSY		1
501 87 77-02	THROTTLE LOCKOUT		1
503 08 46-01	RECOIL SPRING		1
503 09 79-04	THROTTLE LEVER		1
503 21 49-16	SCREW IHSCFT		1
503 21 49-16	SCREW IHSCFT		2
503 40 47-01	HANDLE INSERT		2
503 44 32-01	FUEL FILTER		1
503 57 50-01	WEAR PROTECTION		1
503 57 89-01	HOLDER		1
503 73 58-01	BUSHING		1
537 21 50-01	SEALING		1
537 21 52-02	TANK CAP ASSY		1
544 32 49-02	FUEL HOSE		1
720 12 42-20	PARALLEL PIN		1
720 13 15-20	PARALLEL PIN		1

**F** \*compl 503 74 91-03 (FF) EPA, EU1



**\*\*compl 501 76 66-05 (FG)**

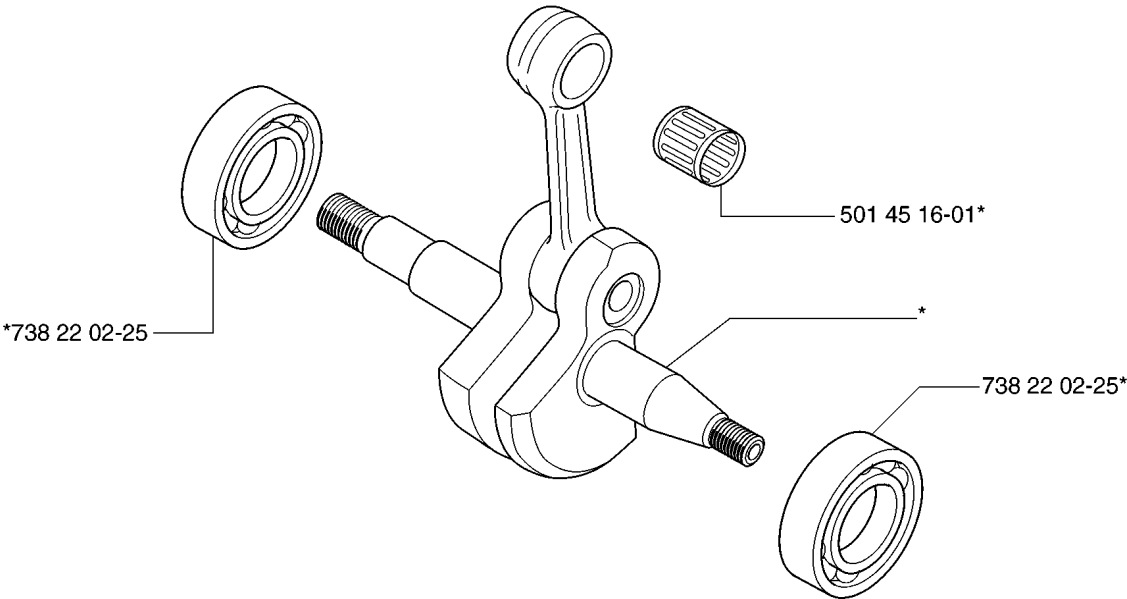


## MUFFLER

55, 20070500001-Current

Part No	Description	Remark	QTY KIT
501 76 66-05	MUFFLER ASSY		1
501 76 88-01	BRACKET		1
501 76 88-01	BRACKET		1
503 21 82-02	SCREW		2
503 21 82-02	SCREW		2
503 22 24-01	LOCK NUT		2
503 22 24-01	LOCK NUT		2
503 74 91-03	MUFFLER FF		1
503 74 97-01	SPARK ARRESTER SCREEN		1
724 12 87-59	SCREW CRPANM		1

**G** \*compl 503 57 38-06

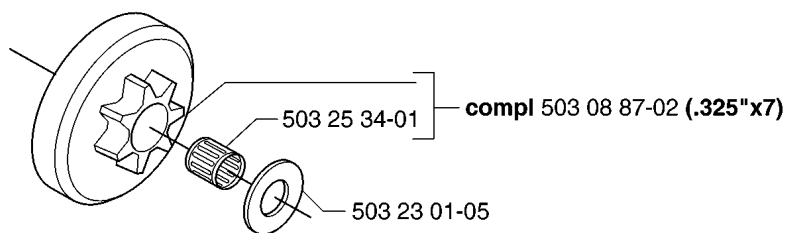
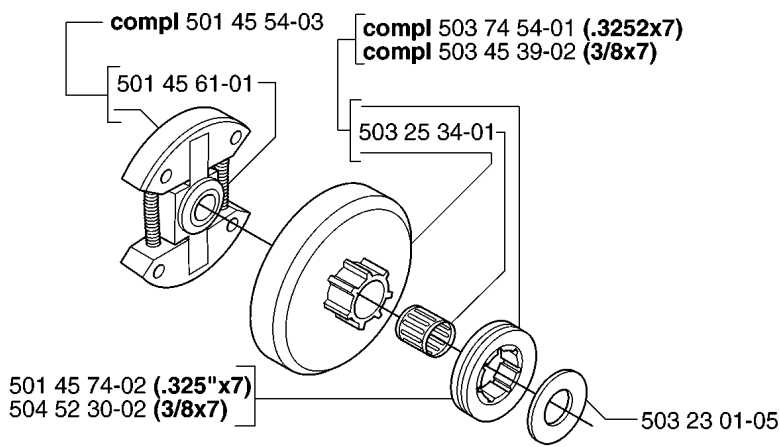
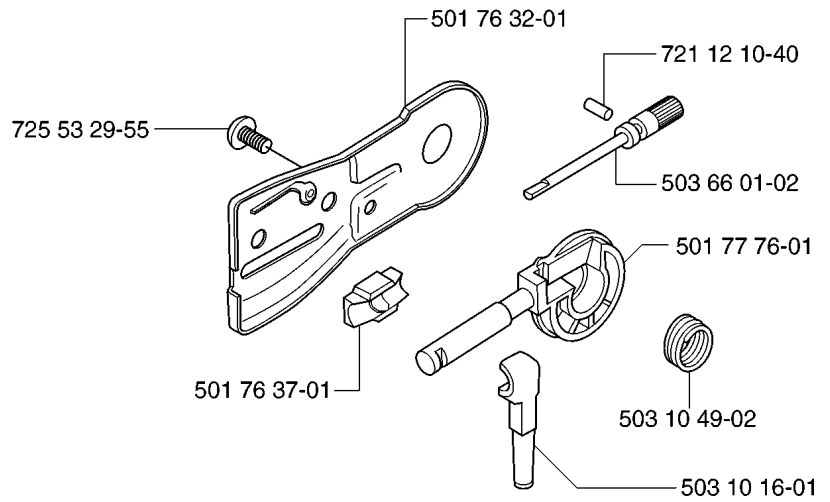


CRANKSHAFT

55, 20070500001-Current

Part No	Description	Remark	QTY KIT
501 45 16-01	NEEDLE BEARING		1
503 57 38-06	CRANKSHAFT ASSY		1
738 22 02-25	BALL BEARING		1
738 22 02-25	BALL BEARING		1

# H



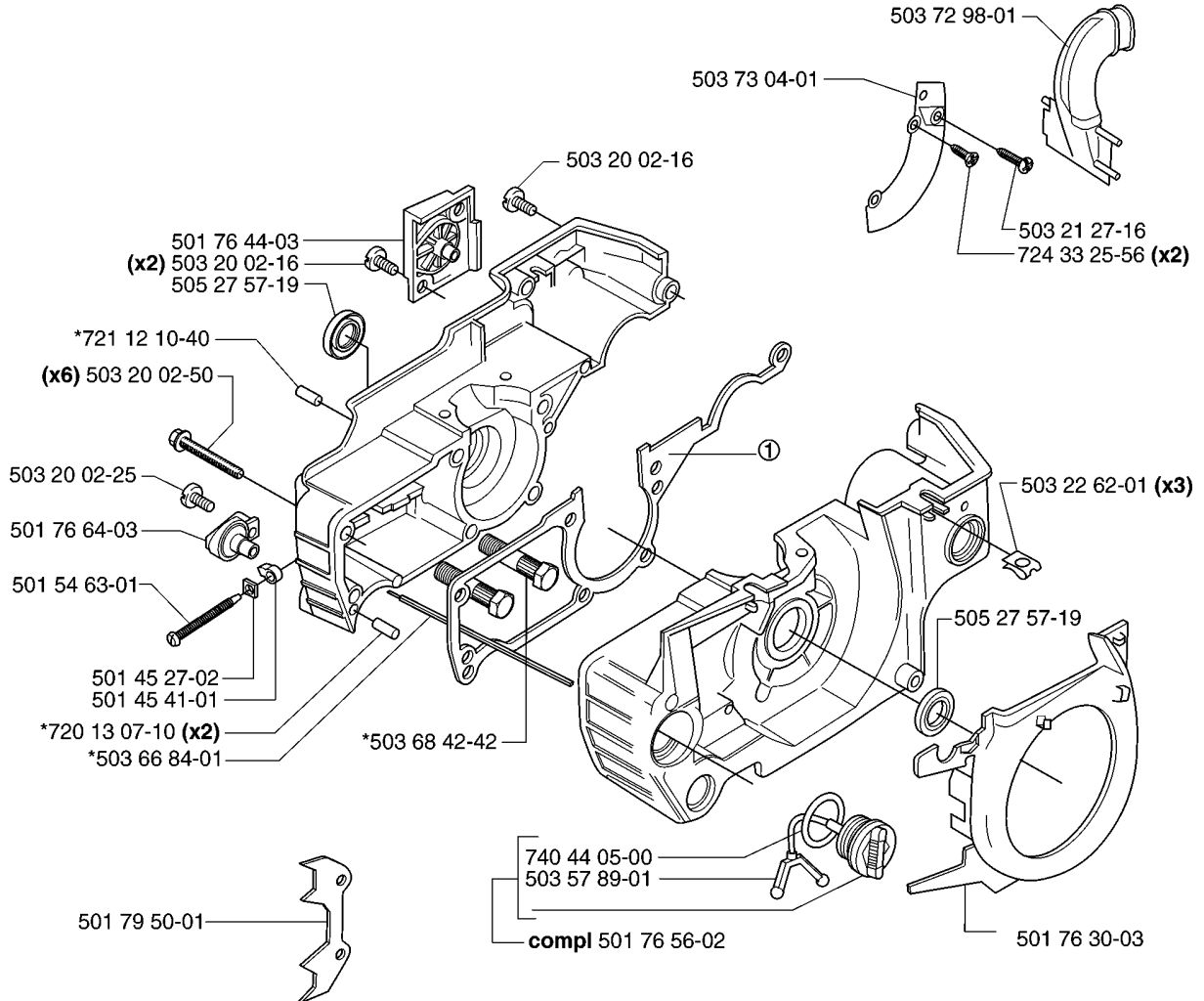


## CLUTCH &amp; OIL PUMP

55, 20070500001-Current

Part No	Description	Remark	QTY KIT
501 45 54-03	CLUTCH ASSY		1
501 45 61-01	CLUTCH SPRING		1
501 45 74-02	RIM		1
501 76 32-01	CHAIN GUIDE PLATE		1
501 76 37-01	SEALING		1
501 77 76-01	OIL PUMP		1
503 08 87-02	CLUTCH DRUM ASSY		1
503 10 16-01	SUCTION HOSE ASSY		1
503 10 49-02	PUMP PINION		1
503 23 01-05	WASHER		1
503 23 01-05	WASHER		1
503 25 34-01	NEEDLE BEARING		1
503 25 34-01	NEEDLE BEARING		1
503 45 39-02	CLUTCH DRUM ASSY		1
503 66 01-02	PUMP PISTON		1
503 74 54-01	CLUTCH DRUM ASSY		1
504 52 30-02	RIM		1
721 12 10-40	GROOVED PIN		1
725 53 29-55	SCREW IHSCM		1

**J** \*compl 501 76 22-02



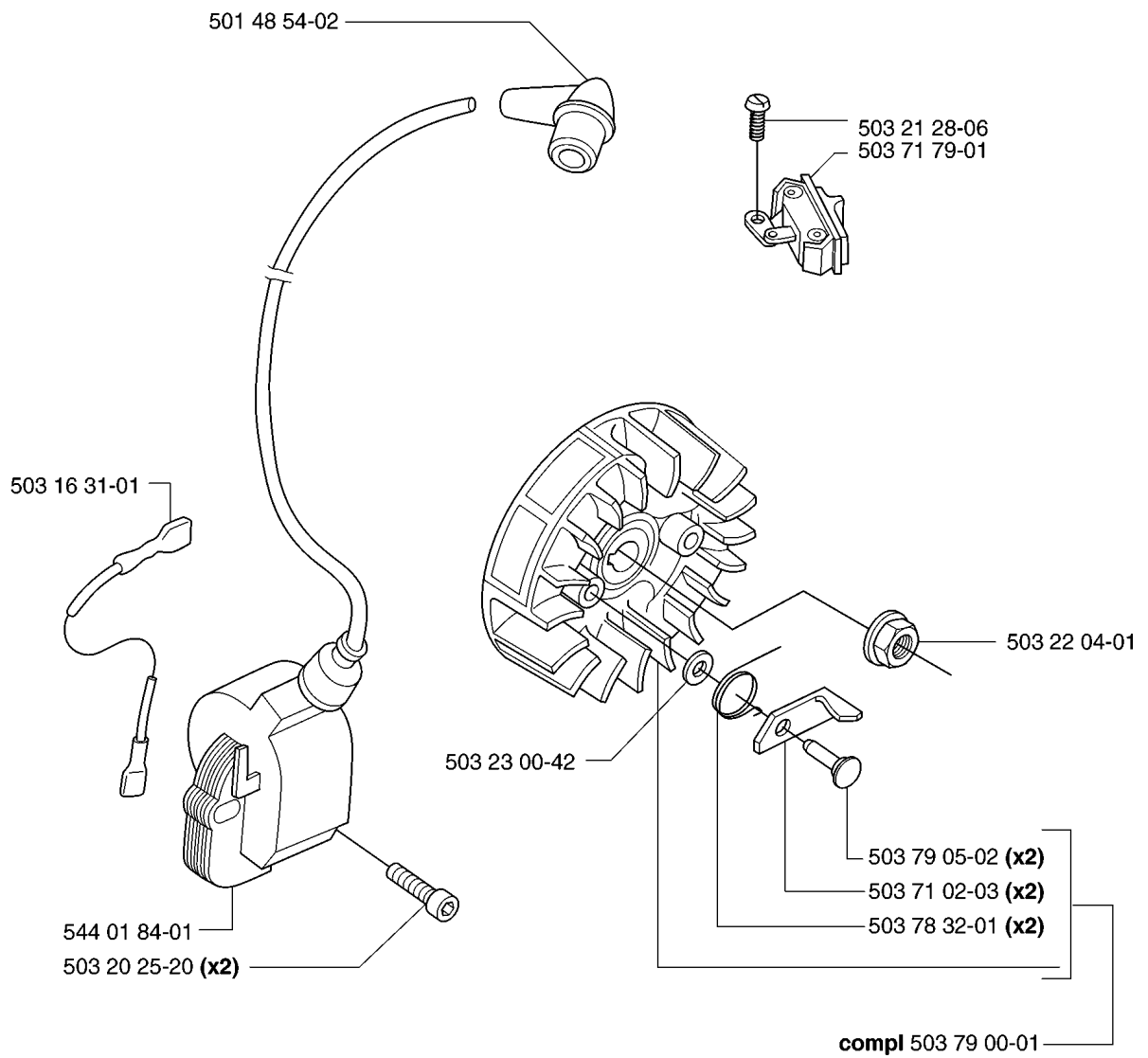
① 501 76 18-02  
**Set of gaskets**  
**Dichtungssatz**  
**Jeu de joints**  
**Juego de Juntas**  
**Packningssats**

## CRANKCASE

55, 20070500001-Current

Part No	Description	Remark	QTY KIT
501 45 27-02	LOCK NUT		1
501 45 41-01	NUT		1
501 54 63-01	SCREW		1
501 76 22-02	CRANKCASE		1
501 76 30-03	LEDSKENA		1
501 76 44-03	LID		1
501 76 56-02	TANK CAP ASSY		1
501 76 64-03	CHAIN CATCHER		1
501 79 50-01	SPIKE		1
503 20 02-16	SCREW IHSCFM		2
503 20 02-16	SCREW IHSCFM		1
503 20 02-25	SCREW IHSCFM		1
503 20 02-50	SCREW IHSCFM		6
503 21 27-16	SCREW CRPANT		1
503 22 62-01	NUT		3
503 57 89-01	HOLDER		1
503 66 84-01	TANK VENT ASSY		1
503 68 42-42	BAR BOLT		1
503 72 98-01	AIR NOZZLE		1
503 73 04-01	AIR CONDUCTOR		1
505 27 57-19	SEALING RING		1
505 27 57-19	SEALING RING		1
720 13 07-10	PARALLEL PIN		2
721 12 10-40	GROOVED PIN		1
724 33 25-56	SCREW CRCSFM		2
740 44 05-00	O-RING		1

# K

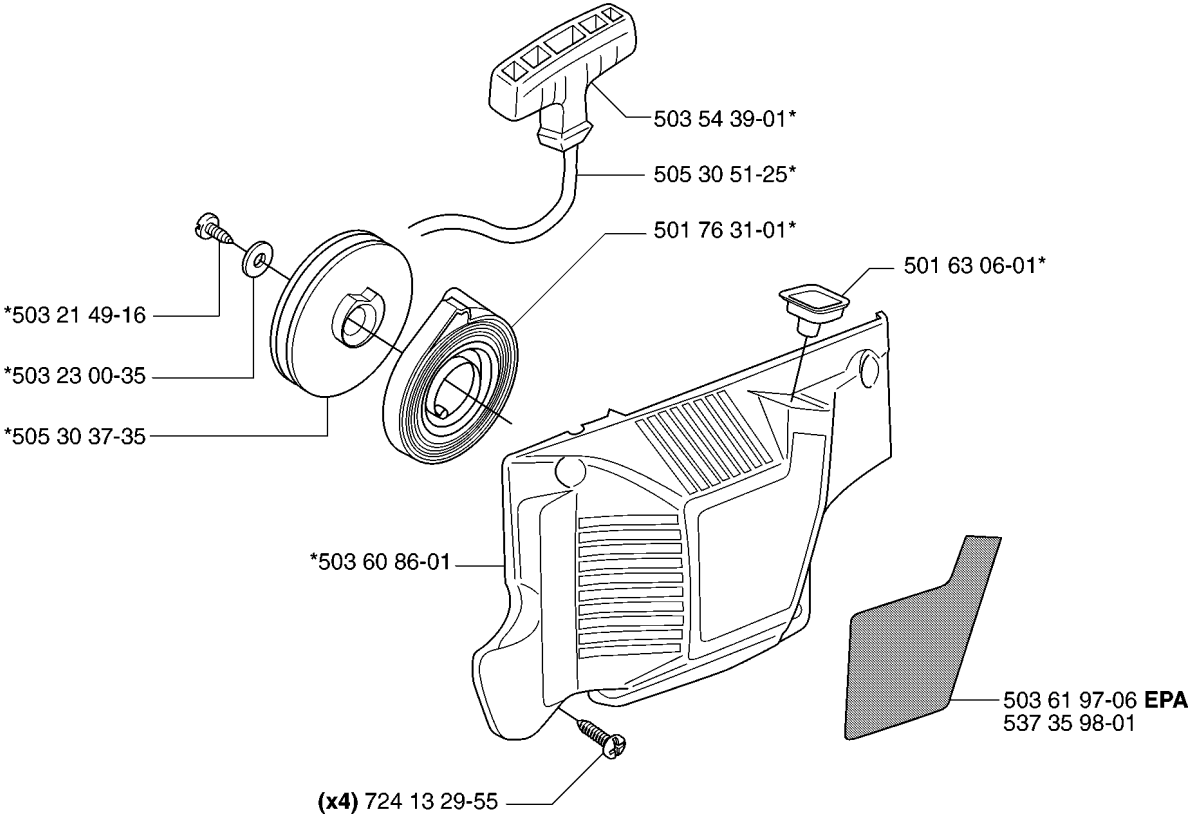


## IGNITION SYSTEM

55, 20070500001-Current

Part No	Description	Remark	QTY KIT
501 48 54-02	SPARK PLUG CAP		1
503 16 31-01	CABLE		1
503 20 25-20	SCREW IHSCM		2
503 21 28-06	SCREW CCRPANT		1
503 22 04-01	NUT		1
503 23 00-42	WASHER		1
503 71 02-03	STARTER PAWL		2
503 71 79-01	STOP SWITCH		1
503 78 32-01	SPRING		2
503 79 00-01	FLYWHEEL		1
503 79 05-02	RIVET		2
544 01 84-01	IGNITION SYSTEM		1

**L** \*compl 503 60 88-03



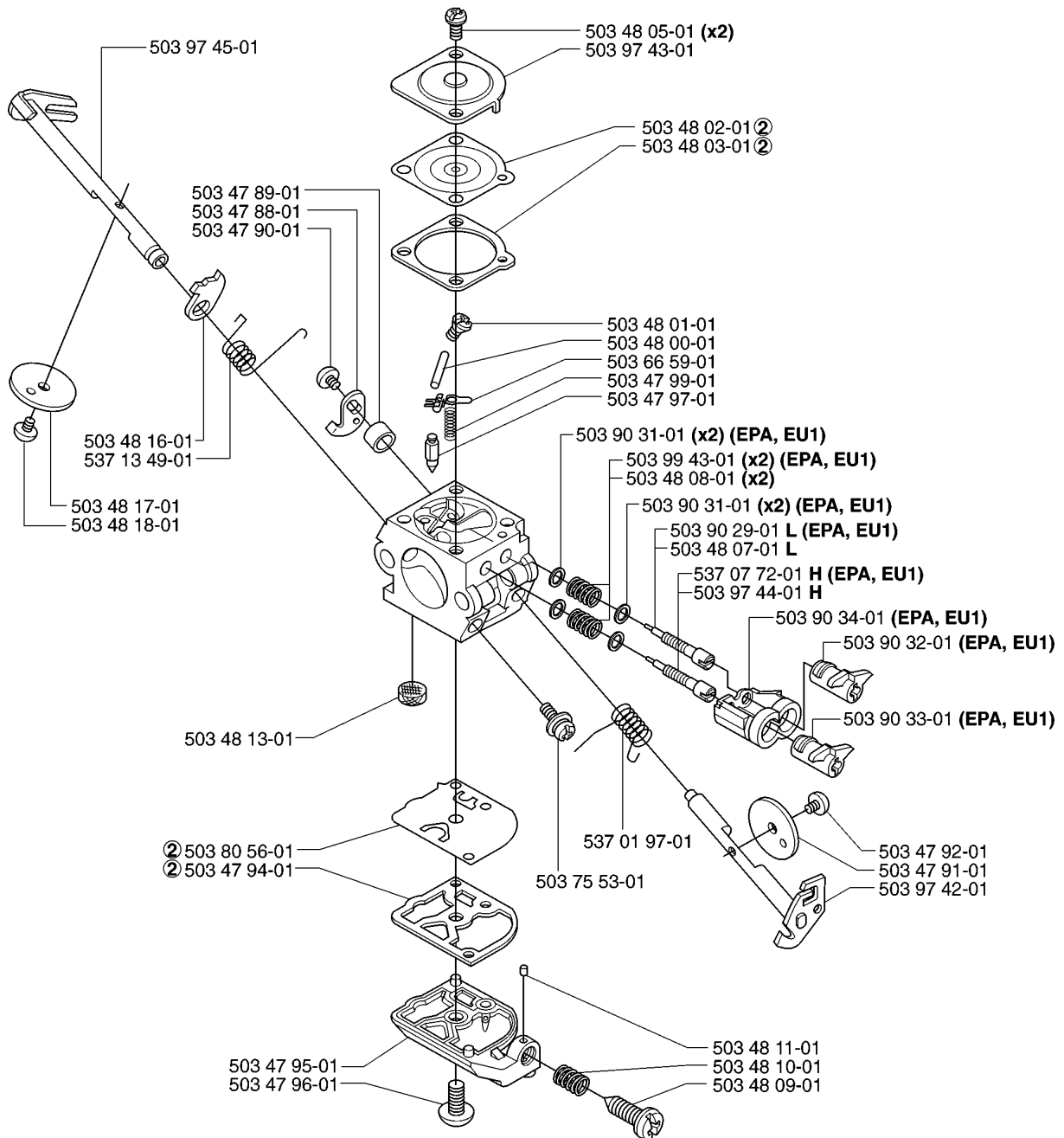
## STARTER

55, 20070500001-Current

Part No	Description	Remark	QTY KIT
501 63 06-01	SLEEVE		1
501 76 31-01	SPRING CASSETTE ASSY		1
503 21 49-16	SCREW IHSCFT		1
503 23 00-35	WASHER		1
503 54 39-01	STARTER HANDLE		1
503 60 86-01	STARTER HOUSING		1
503 60 88-03	STARTER ASSY		1
503 61 97-06	LABEL		1
505 30 37-35	STARTER PULLEY		1
505 30 51-25	STARTER CORD		1
537 35 98-01	DECAL		1
724 13 29-55	SCREW		4

**M** compl 503 28 31-06 ZAMA C1Q-EL7 (EPA, EU1)  
 compl 503 28 31-05 ZAMA C1Q-EL6

**ZAMA C1Q-EL7  
 ZAMA C1Q-EL6**



② 503 48 21-01  
**Set of gaskets**  
**Dichtungssatz**  
**Jeu de joints**  
**Juego de Juntas**  
**Packningssats**



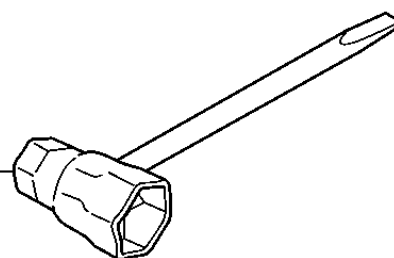
## CARBURETOR

55, 20070500001-Current

Part No	Description	Remark	QTY KIT
503 28 31-05	CARBURETTOR		1
503 28 31-06	CARBURETTOR		1
503 47 88-01	LEVER		1
503 47 89-01	COLLAR		1
503 47 90-01	SCREW		1
503 47 91-01	VALVE		1
503 47 92-01	SCREW		1
503 47 94-01	GASKET		1
503 47 95-01	COVER		1
503 47 96-01	SCREW		1
503 47 97-01	VALVE		1
503 47 99-01	SPRING		1
503 48 00-01	PIN RETAINING SCREW		1
503 48 01-01	SCREW		1
503 48 02-01	DIAPHRAGM		1
503 48 03-01	GASKET		1
503 48 05-01	SCREW		2
503 48 07-01	SCREW		1
503 48 08-01	SPRING		2
503 48 09-01	SCREW		1
503 48 10-01	SPRING		1
503 48 11-01	PIECE		1
503 48 13-01	STRAINER		1
503 48 16-01	LEVER		1
503 48 17-01	VALVE		1
503 48 18-01	SCREW		1
503 66 59-01	LEVER		1
503 75 53-01	SCREW		1
503 80 56-01	DIAPHRAGM PUMP		1
503 90 29-01	SCREW		1
503 90 31-01	WASHER		2
503 90 31-01	WASHER		2
503 90 32-01	LIMITER CAP		1
503 90 33-01	LIMITER CAP		1
503 90 34-01	RETAINER		1
503 97 42-01	SHAFT		1
503 97 43-01	COVER		1
503 97 44-01	SCREW		1
503 97 45-01	SHAFT		1
503 99 43-01	SPRING		2
537 01 97-01	SPRING		1
537 07 72-01	SCREW		1
537 13 49-01	SPRING		1

**N** Tillbehör  
Accessories  
Zubehöre  
Accessoires  
Accesorios

501 69 17-01



ACCESSORIES

55, 20070500001-Current

Part No	Description	Remark	QTY KIT
501 69 17-01	COMBINATION WRENCH		1