



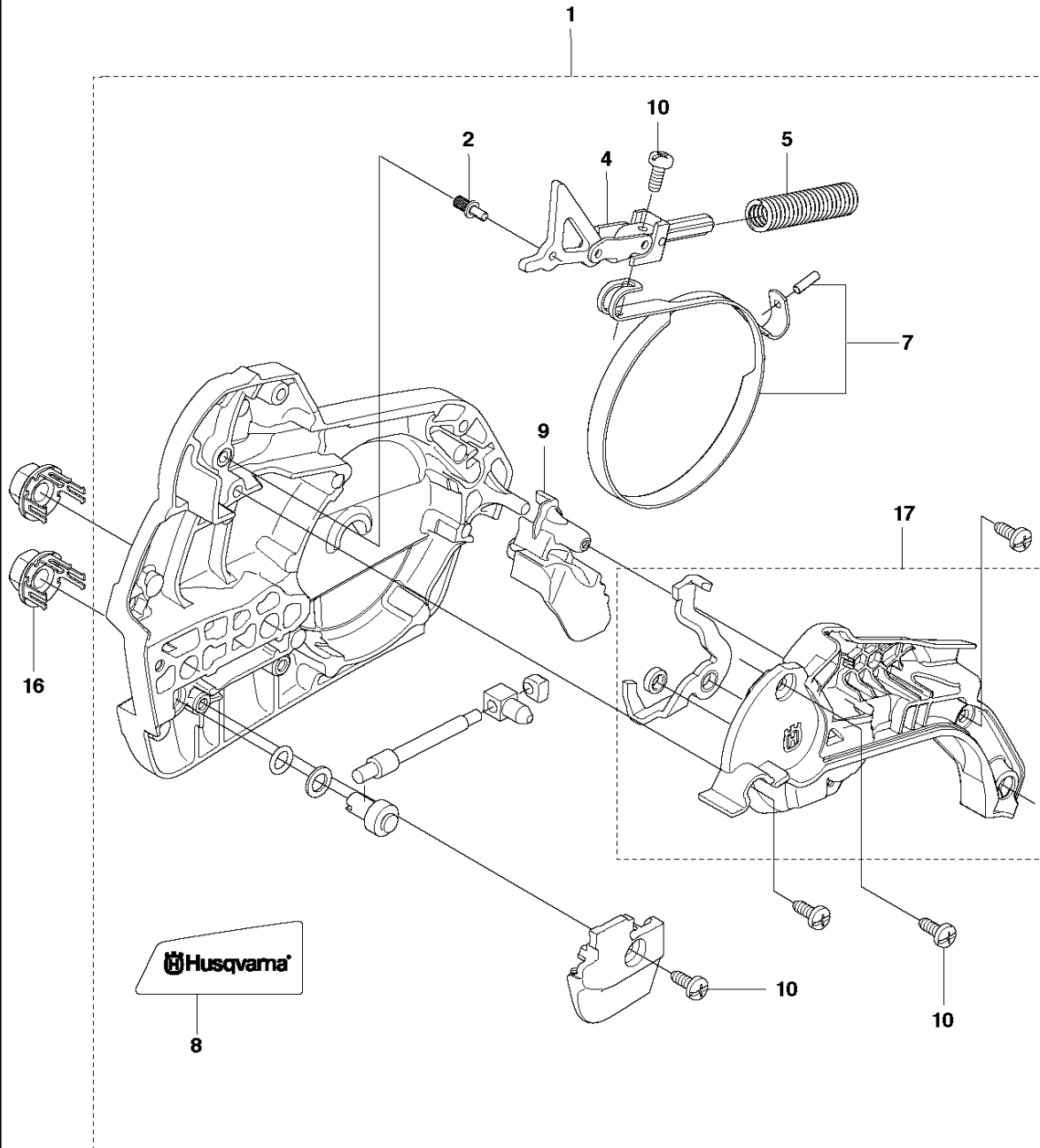
# SPARE PARTS LIST

## CHAIN SAWS

550 XP TRIOBRAKE,  
20114500001-20114500000

**A**

# TrioBrake

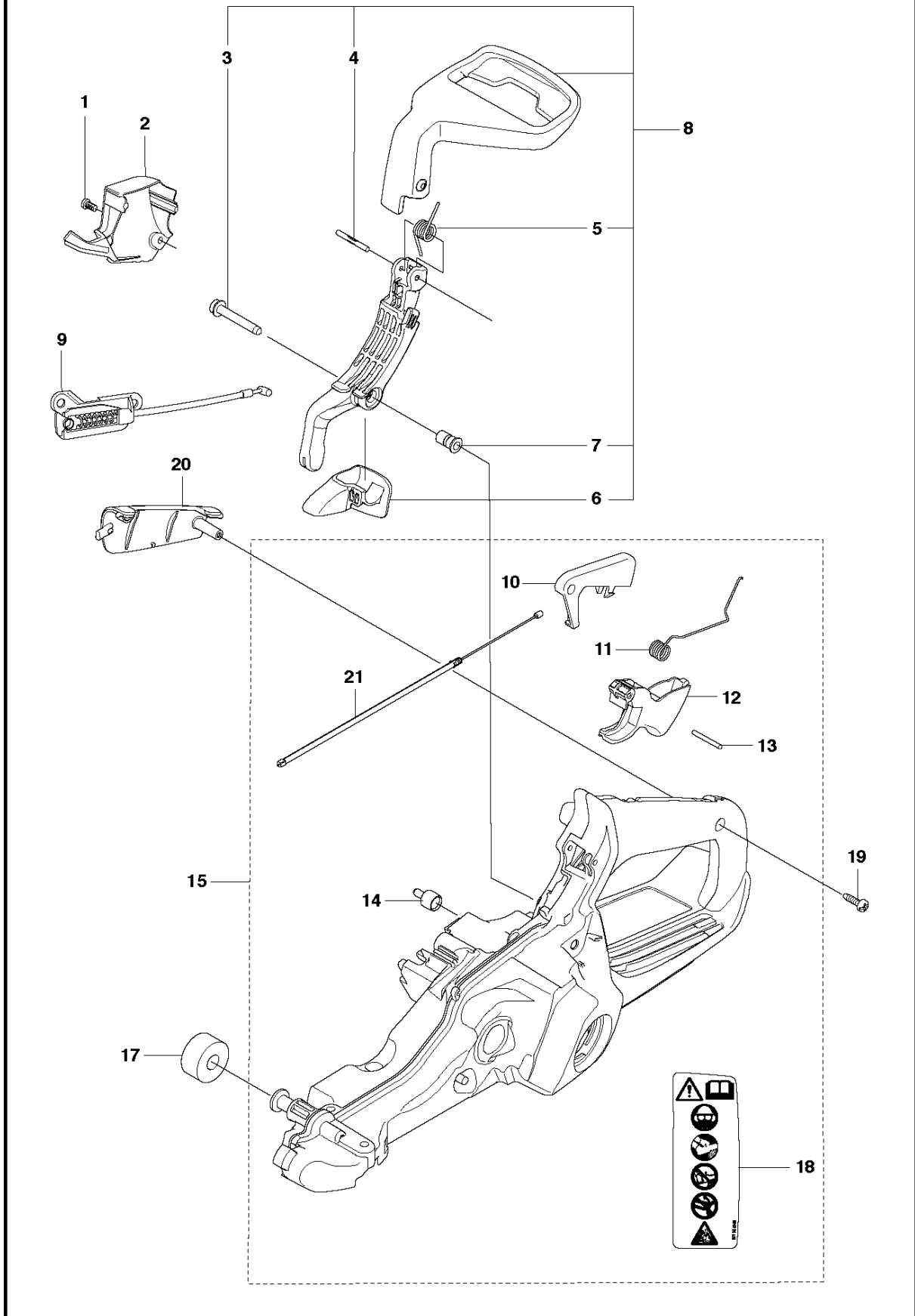


PRODUCT COMPLETE

550 XP TRIOBRAKE, 20114500001-20114500000

| Ref | Part No      | Description       | Remark | QTY KIT |   |
|-----|--------------|-------------------|--------|---------|---|
| 1   | 576 70 86-01 | CLUTCH COVER ASSY | 550XP  | 1       |   |
| 1   | 576 70 86-02 | CLUTCH COVER ASSY | 545    | 1       |   |
| 2   | 503 75 18-01 | PIN               |        | 1       | 1 |
| 4   | 505 19 93-01 | KNEE JOINT ASSY   |        | 1       | 1 |
| 5   | 503 90 83-01 | BRAKE SPRING      |        | 1       | 1 |
| 7   | 505 19 95-02 | BRAKE BAND ASSY   |        | 1       | 1 |
| 8   | 523 05 80-01 | LABEL             |        | 1       | 1 |
| 9   | 505 20 16-01 | GUARD             |        | 1       | 1 |
| 10  | 503 21 70-10 | SCREW CCRPANT     |        | 5       | 1 |
| 16  | 505 19 73-01 | NUT               |        | 2       |   |
| 17  | 576 70 87-01 | COVER LID         |        | 1       | 1 |

# B TrioBrake



## PRODUCT COMPLETE

550 XP TRIOBRAKE, 20114500001-20114500000

| Ref | Part No      | Description         | Remark | QTY | KIT |
|-----|--------------|---------------------|--------|-----|-----|
| 1   | 503 21 70-72 | SCREW CCRPANT       |        | 1   |     |
| 2   | 576 70 80-01 | COVER LID           |        | 1   |     |
| 3   | 503 21 07-45 | SCREW IHSCT         |        | 1   | 8   |
| 4   | 721 12 13-30 | GROOVED PIN         |        | 1   | 8   |
| 5   | 537 05 92-01 | TORSION SPRING      |        | 1   | 8   |
| 6   | 576 70 81-01 | BELLOWS             |        | 1   | 8   |
| 7   | 540 05 80-01 | SLEEVE              |        | 1   | 8   |
| 8   | 578 00 33-01 | HAND GUARD ASSY     |        | 1   |     |
| 9   | 576 70 82-01 | WIRE ASSY           |        | 1   |     |
| 10  | 544 09 98-01 | THROTTLE LOCKOUT    |        | 1   | 15  |
| 11  | 544 09 99-01 | SPRING              |        | 1   | 15  |
| 12  | 505 15 77-01 | THROTTLE            |        | 1   | 15  |
| 13  | 720 18 25-20 | PARALLEL PIN        |        | 1   | 15  |
| 14  | 501 15 29-01 | TANK VENT ASSY      |        | 1   | 15  |
| 15  | 577 79 02-04 | FUEL TANK ASSY      |        | 1   |     |
| 17  | 523 08 55-01 | DEFLECTION LIMITER  |        | 1   |     |
| 18  | 577 84 43-01 | DECAL               |        | 1   | 15  |
| 19  | 503 21 28-13 | SCREW CCRPANT       |        | 1   |     |
| 20  | 504 10 63-01 | HANDLE INSERT       |        | 1   |     |
| 21  | 579 48 24-01 | THROTTLE CABLE ASSY |        | 1   | 15  |