

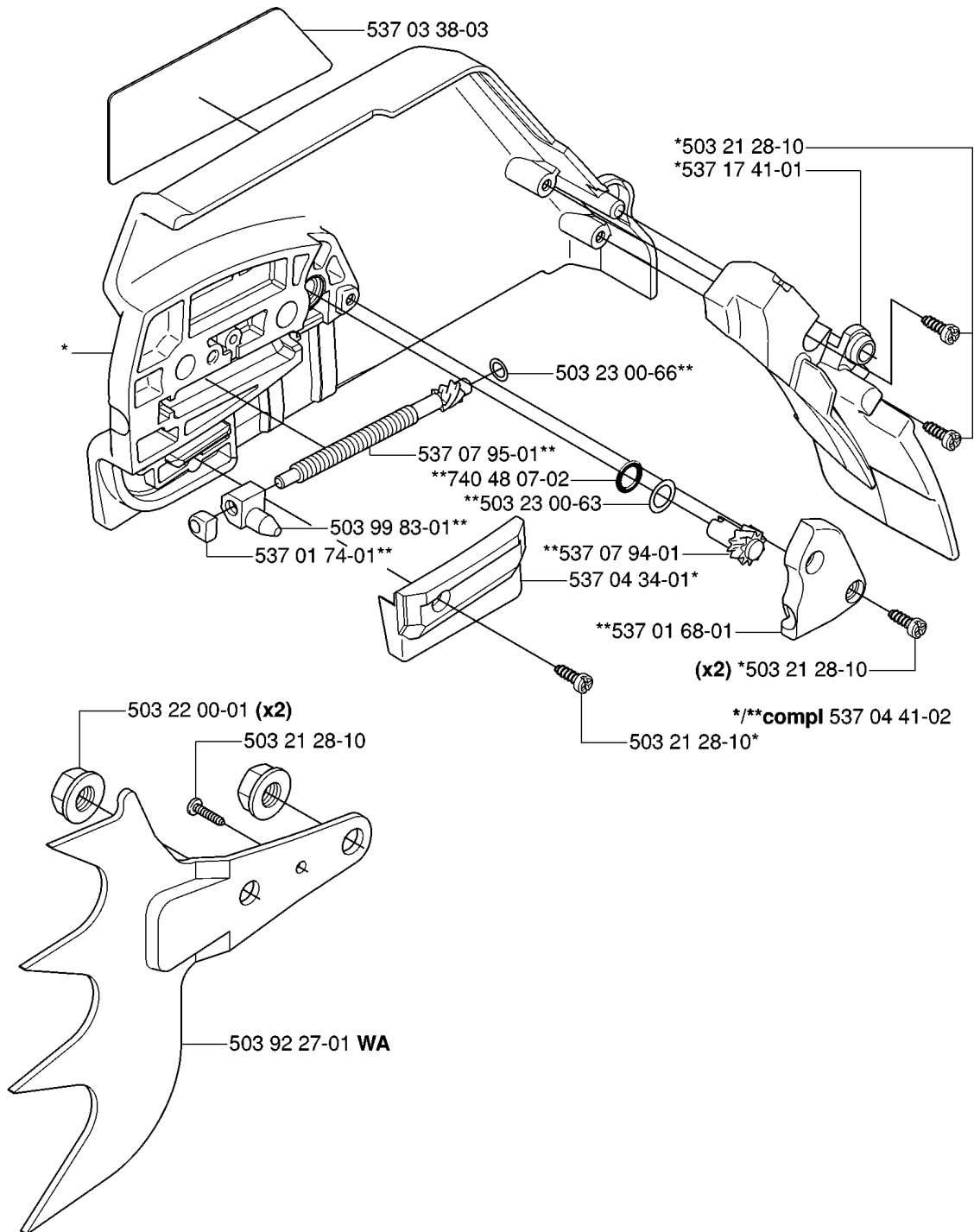


# SPARE PARTS LIST

## CHAIN SAWS

575 XP, 20070100001-Current

**A** \*compl 537 33 10-01 WA

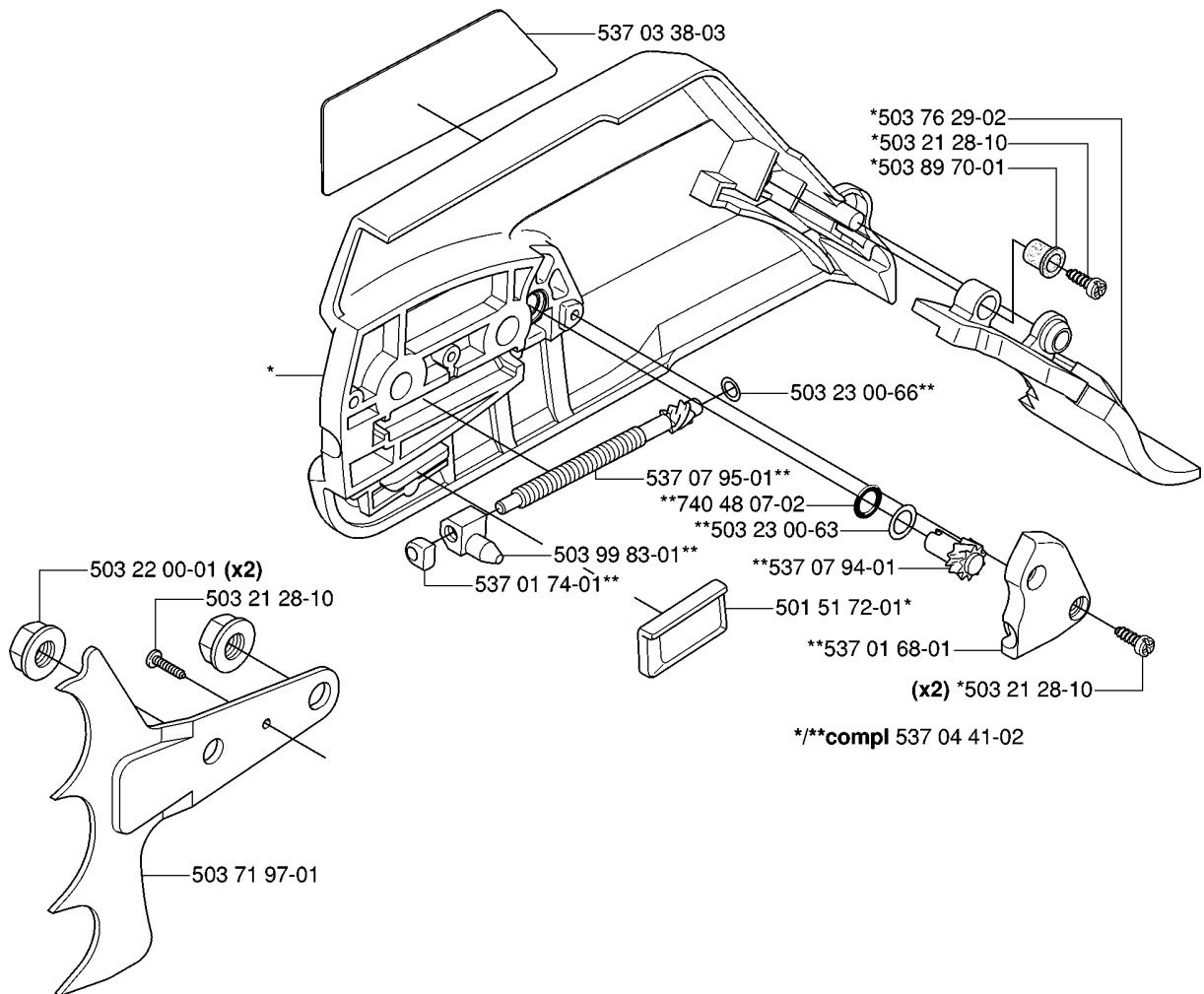


## CLUTCH COVER

575 XP, 20070100001-Current

| Part No      | Description       | Remark | QTY KIT |
|--------------|-------------------|--------|---------|
| 503 21 28-10 | SCREW CCRPANT     |        | 2       |
| 503 21 28-10 | SCREW CCRPANT     |        | 1       |
| 503 21 28-10 | SCREW CCRPANT     |        | 1       |
| 503 21 28-10 | SCREW CCRPANT     |        | 1       |
| 503 22 00-01 | HEXAGON NUT       |        | 2       |
| 503 23 00-63 | WASHER            |        | 1       |
| 503 23 00-66 | WASHER            |        | 1       |
| 503 92 27-01 | SPIKE             |        | 1       |
| 503 99 83-01 | PAWL              |        | 1       |
| 537 01 68-01 | COVER             |        | 1       |
| 537 01 74-01 | BEARING SLEEVE    |        | 1       |
| 537 03 38-03 | LABEL             |        | 1       |
| 537 04 34-01 | CHAIN GUIDE       |        | 1       |
| 537 04 41-02 | CHAIN TENSIONER   |        | 1       |
| 537 07 94-01 | WORM WHEEL        |        | 1       |
| 537 07 95-01 | WORM SCREW        |        | 1       |
| 537 17 41-01 | CHIP GUARD        |        | 1       |
| 537 33 10-01 | CLUTCH COVER ASSY |        | 1       |
| 740 48 07-02 | O-RING            |        | 1       |

**A** \*compl 537 03 35-01 Std



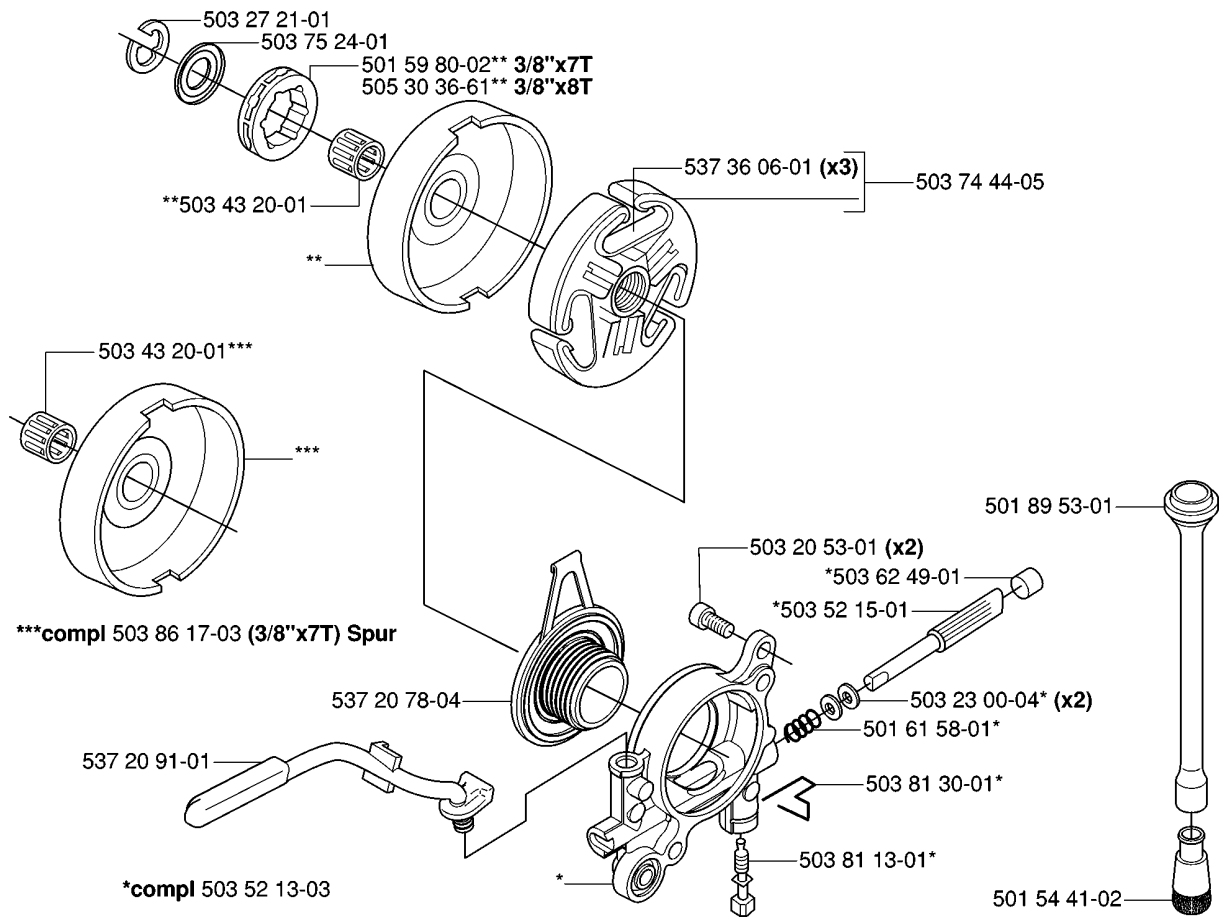
## CLUTCH COVER

575 XP, 20070100001-Current

| Part No      | Description       | Remark | QTY KIT |
|--------------|-------------------|--------|---------|
| 501 51 72-01 | CHAIN GUIDE       |        | 1       |
| 503 21 28-10 | SCREW CCRPANT     |        | 1       |
| 503 21 28-10 | SCREW CCRPANT     |        | 1       |
| 503 21 28-10 | SCREW CCRPANT     |        | 2       |
| 503 22 00-01 | HEXAGON NUT       |        | 2       |
| 503 23 00-63 | WASHER            |        | 1       |
| 503 23 00-66 | WASHER            |        | 1       |
| 503 71 97-01 | SPIKE             |        | 1       |
| 503 76 29-02 | CHIP GUARD        |        | 1       |
| 503 89 70-01 | SLEEVE            |        | 1       |
| 503 99 83-01 | PAWL              |        | 1       |
| 537 01 68-01 | COVER             |        | 1       |
| 537 01 74-01 | BEARING SLEEVE    |        | 1       |
| 537 03 35-01 | CLUTCH COVER ASSY |        | 1       |
| 537 03 38-03 | LABEL             |        | 1       |
| 537 04 41-02 | CHAIN TENSIONER   |        | 1       |
| 537 07 94-01 | WORM WHEEL        |        | 1       |
| 537 07 95-01 | WORM SCREW        |        | 1       |
| 740 48 07-02 | O-RING            |        | 1       |

**B**

**\*\*compl 537 03 62-05 (3/8"x7T)**  
**\*\*compl 537 03 62-06 (3/8"x8T)**

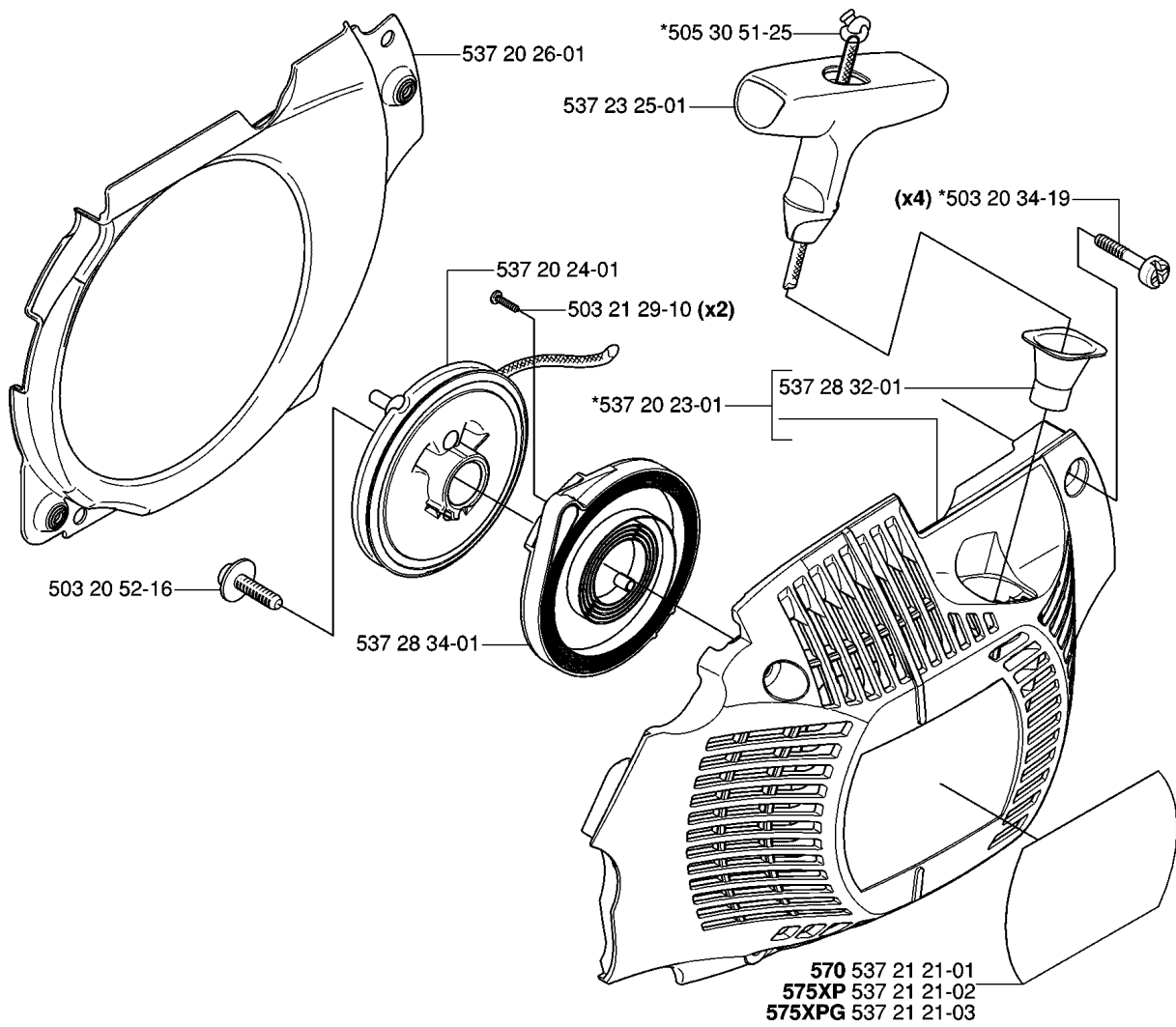


## CLUTCH &amp; OIL PUMP

575 XP, 20070100001-Current

| Part No      | Description       | Remark | QTY KIT |
|--------------|-------------------|--------|---------|
| 501 54 41-02 | OIL SCREEN        |        | 1       |
| 501 59 80-02 | RIM               |        | 1       |
| 501 61 58-01 | SPRING            |        | 1       |
| 501 89 53-01 | OIL HOSE          |        | 1       |
| 503 20 53-01 | SCREW IHSCM       |        | 2       |
| 503 23 00-04 | WASHER            |        | 2       |
| 503 27 21-01 | E-CLIP            |        | 1       |
| 503 43 20-01 | NEEDLE HOLDER     |        | 1       |
| 503 43 20-01 | NEEDLE HOLDER     |        | 1       |
| 503 52 13-03 | OIL PUMP ASSY     |        | 1       |
| 503 52 15-01 | PUMP PISTON       |        | 1       |
| 503 62 49-01 | SEALING PLUG      |        | 1       |
| 503 74 44-05 | CLUTCH ASSY       |        | 1       |
| 503 75 24-01 | WASHER            |        | 1       |
| 503 81 13-01 | SCREW             |        | 1       |
| 503 81 30-01 | SPRING            |        | 1       |
| 503 86 17-03 | CLUTCH DRUM ASSY  |        | 1       |
| 505 30 36-61 | RIM               |        | 1       |
| 537 03 62-05 | CLUTCH DRUM       |        | 1       |
| 537 03 62-06 | CLUTCH DRUM       |        | 1       |
| 537 20 78-04 | PUMP PINION       |        | 1       |
| 537 20 91-01 | OIL PRESSURE HOSE |        | 1       |
| 537 36 06-01 | CLUTCH SPRING     |        | 3       |

**C** \*compl 537 20 29-02



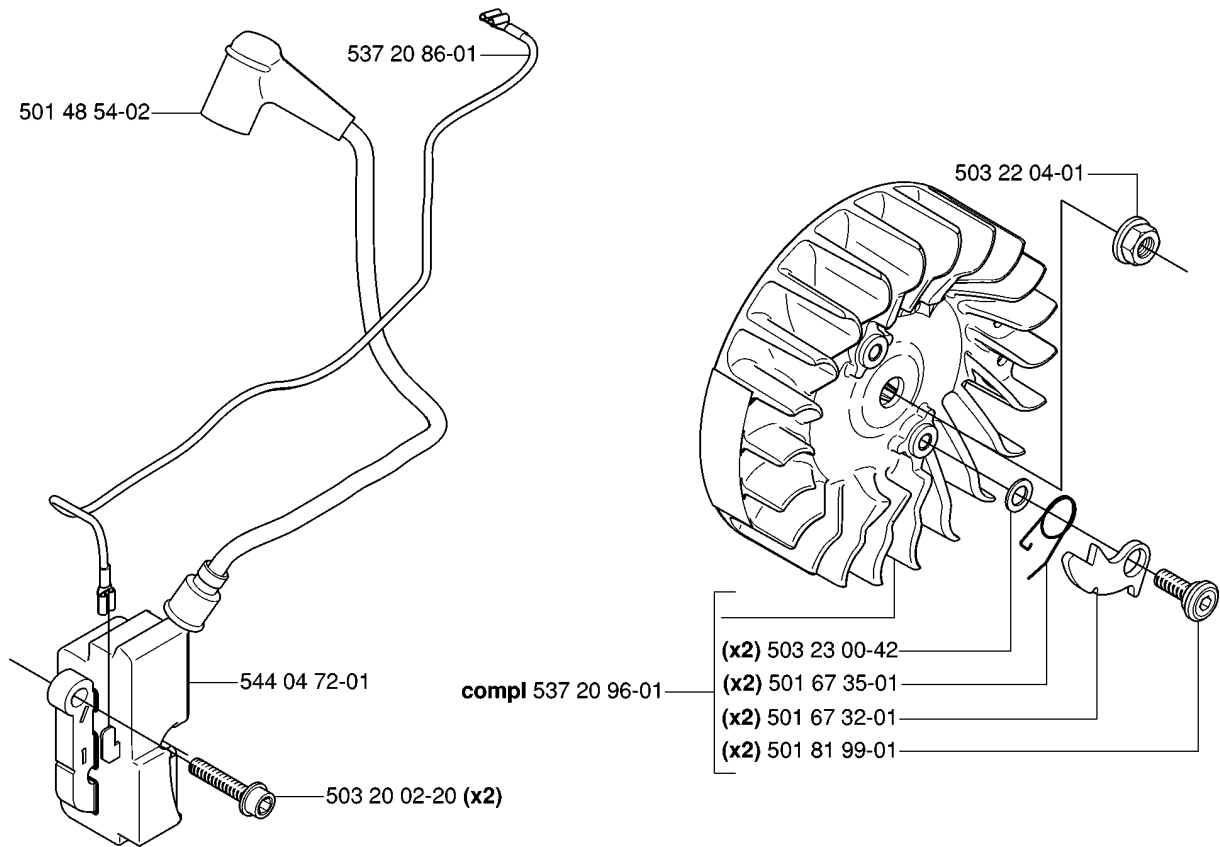


## STARTER

575 XP, 20070100001-Current

| Part No      | Description          | Remark | QTY KIT |
|--------------|----------------------|--------|---------|
| 503 20 34-19 | SCREW CCRPANMO       |        | 4       |
| 503 20 52-16 | SCREW IHSCT          |        | 1       |
| 503 21 29-10 | SCREW CCRPANT        |        | 2       |
| 505 30 51-25 | STARTER CORD         |        | 1       |
| 537 20 23-01 | STARTER HOUSING      |        | 1       |
| 537 20 24-01 | STARTER PULLEY ASSY  |        | 1       |
| 537 20 26-01 | AIR CONDUCTOR        |        | 1       |
| 537 20 29-02 | STARTER              |        | 1       |
| 537 21 21-01 | LABEL                |        | 1       |
| 537 21 21-02 | LABEL                |        | 1       |
| 537 21 21-03 | LABEL                |        | 1       |
| 537 23 25-01 | STARTER HANDLE       |        | 1       |
| 537 28 32-01 | SLEEVE               |        | 1       |
| 537 28 34-01 | SPRING CASSETTE ASSY |        | 1       |

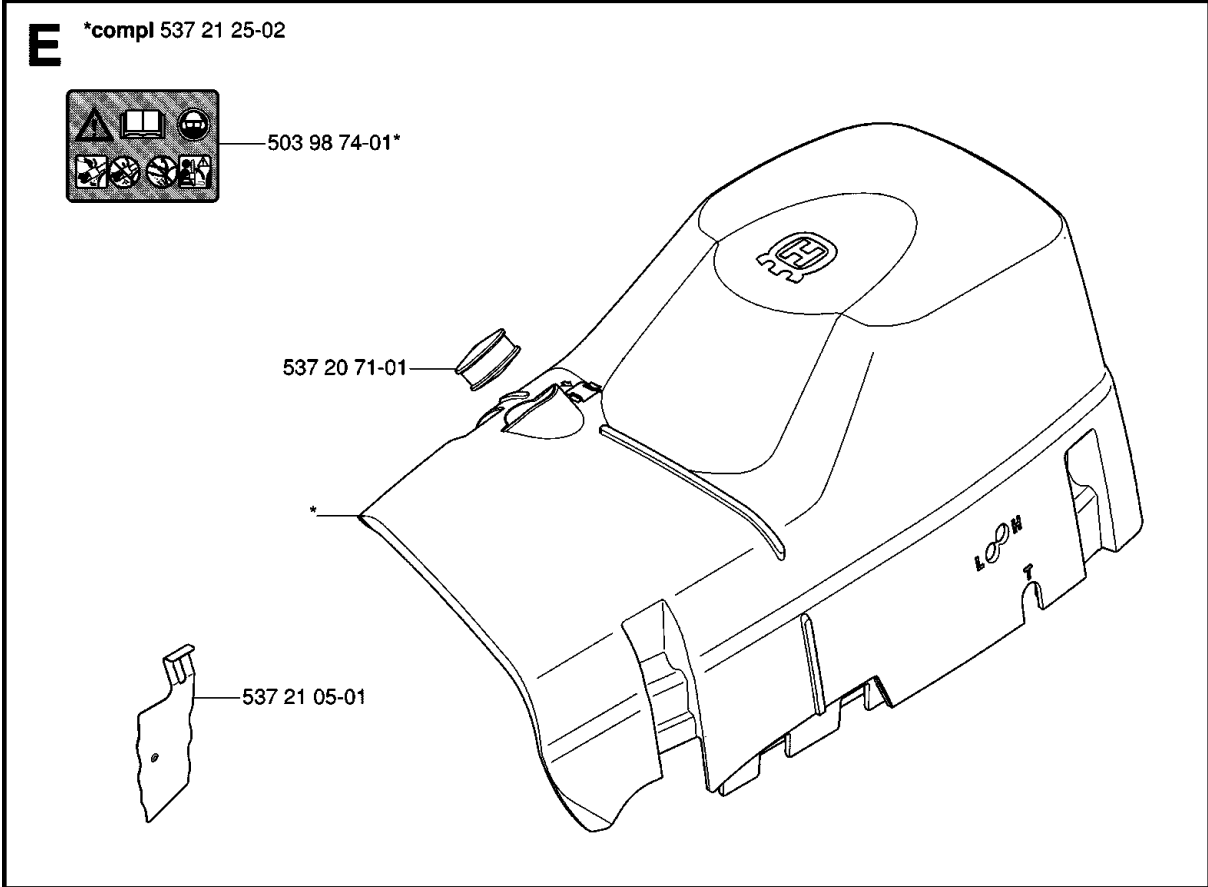
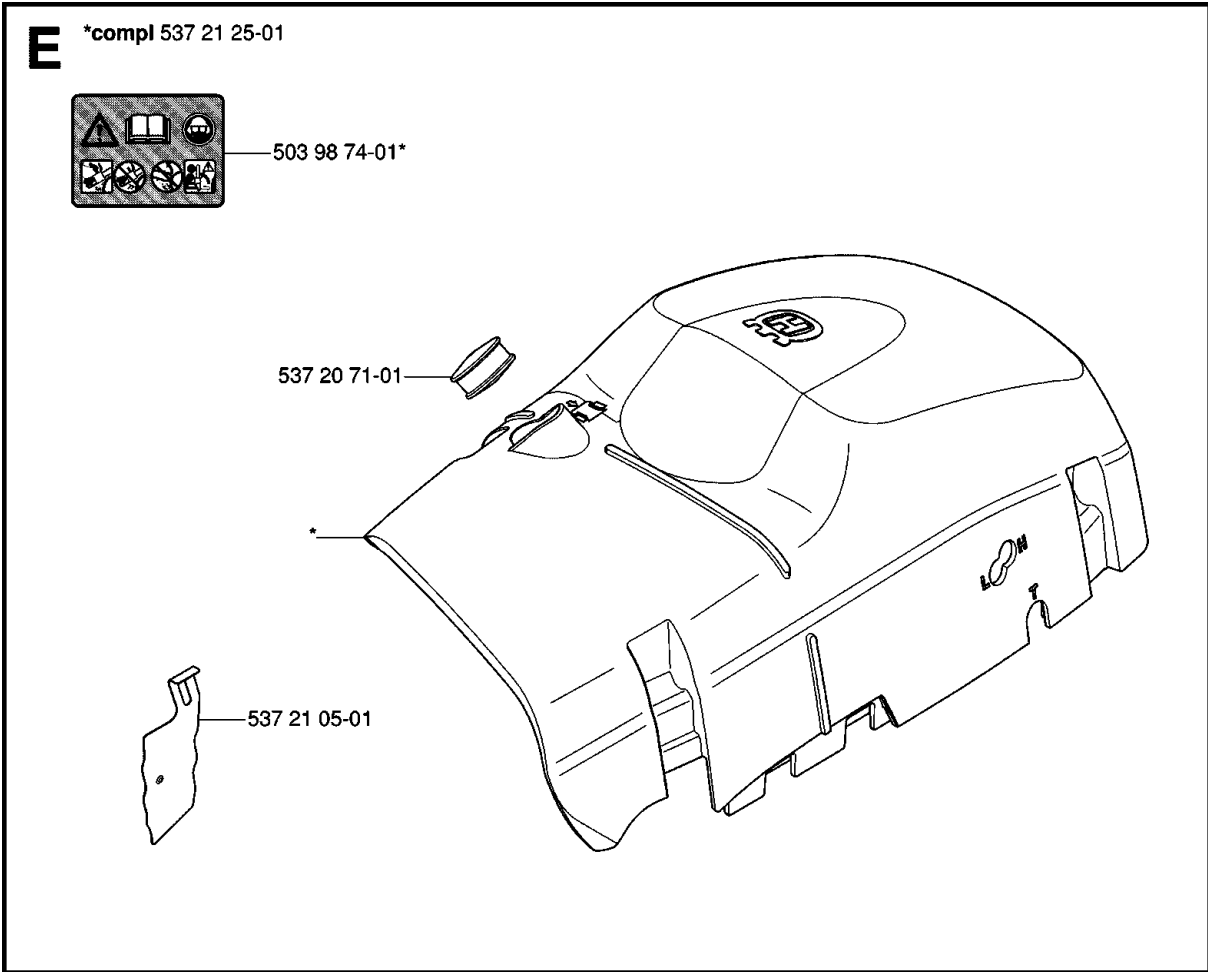
**D**



## IGNITION SYSTEM

575 XP, 20070100001-Current

| Part No      | Description         | Remark | QTY KIT |
|--------------|---------------------|--------|---------|
| 501 48 54-02 | SPARK PLUG CAP      |        | 1       |
| 501 67 32-01 | PAWL                |        | 2       |
| 501 67 35-01 | SPRING              |        | 2       |
| 501 81 99-01 | SCREW               |        | 2       |
| 503 20 02-20 | SCREW IHSCFM        |        | 2       |
| 503 22 04-01 | NUT                 |        | 1       |
| 503 23 00-42 | WASHER              |        | 2       |
| 537 20 86-01 | SHORT CIRCUIT CABLE |        | 1       |
| 537 20 96-01 | FLYWHEEL ASSY       |        | 1       |
| 544 04 72-01 | IGNITION MODULE     |        | 1       |

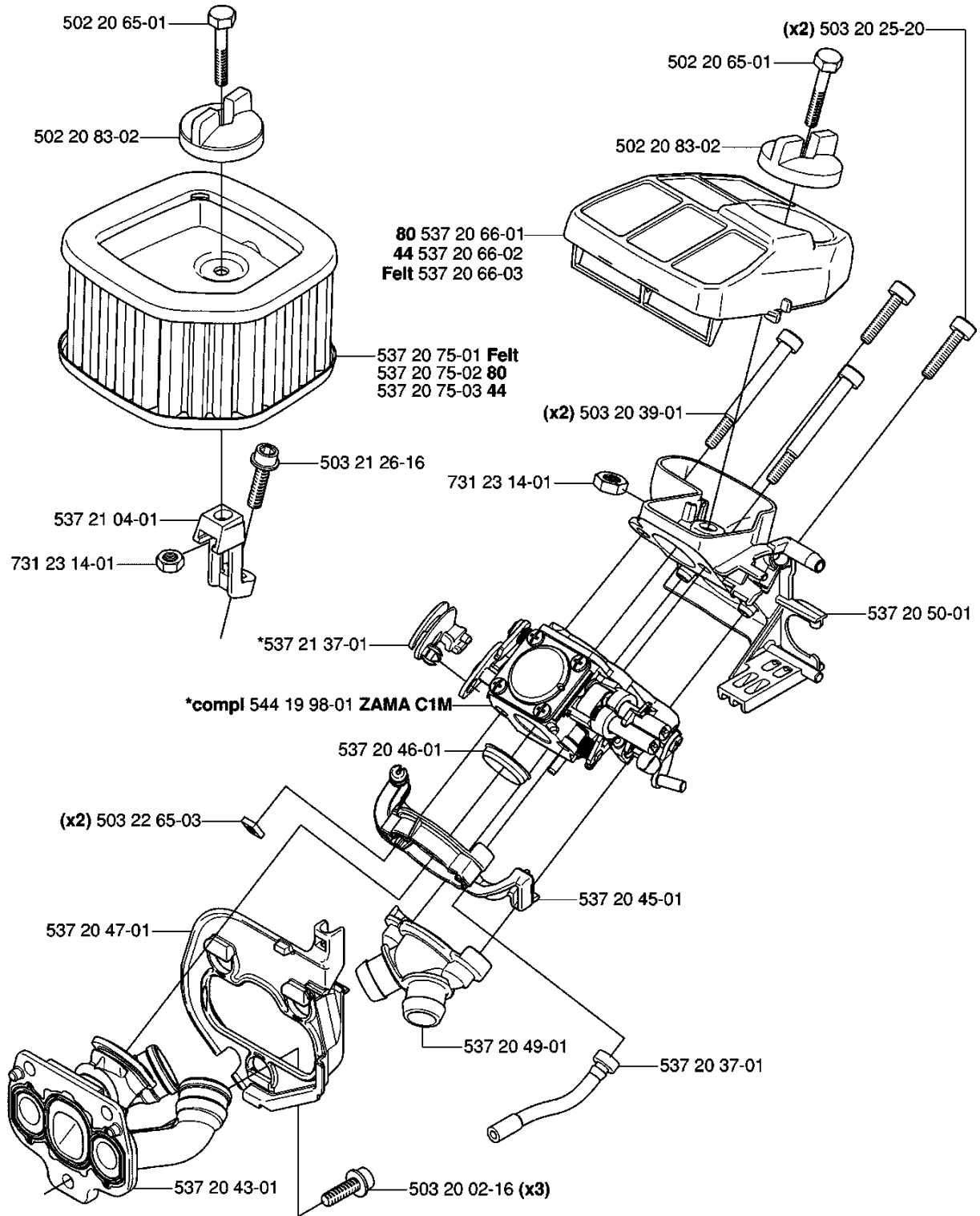


## CYLINDER COVER

575 XP, 20070100001-Current

| Part No      | Description    | Remark | QTY KIT |
|--------------|----------------|--------|---------|
| 503 98 74-01 | LABEL          |        | 1       |
| 503 98 74-01 | LABEL          |        | 1       |
| 537 20 71-01 | PLUG           |        | 1       |
| 537 20 71-01 | PLUG           |        | 1       |
| 537 21 05-01 | WINTER COVER   |        | 1       |
| 537 21 05-01 | WINTER COVER   |        | 1       |
| 537 21 25-01 | CYLINDER COVER |        | 1       |
| 537 21 25-02 | CYLINDER COVER |        | 1       |

**F**

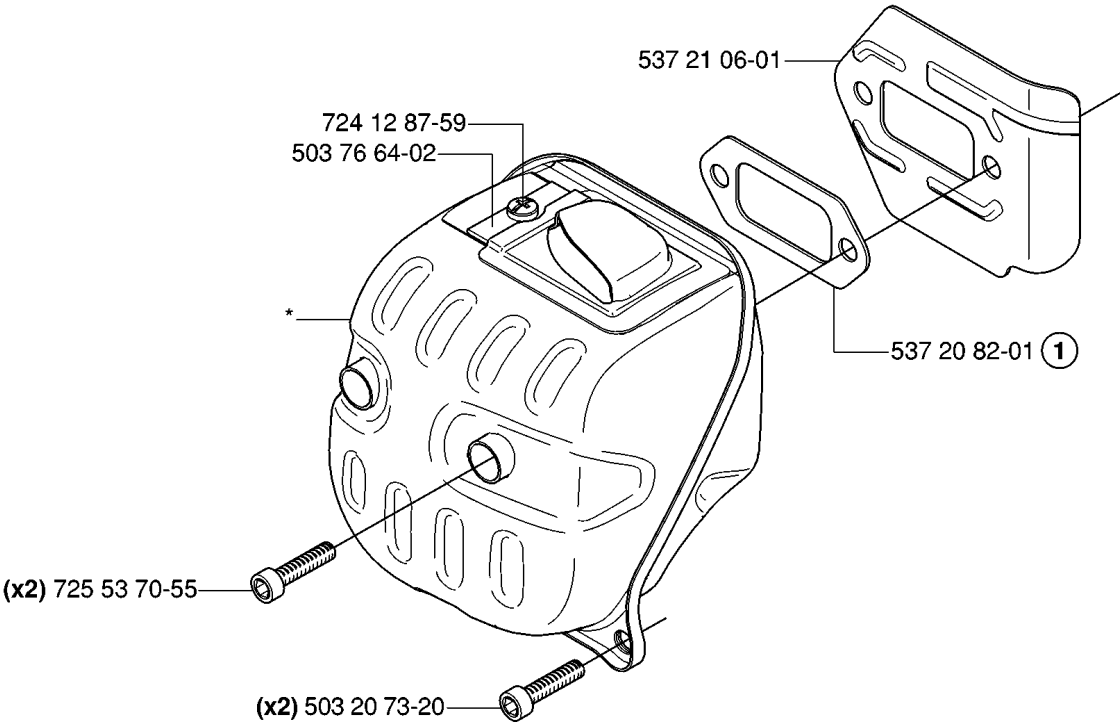


## CARBURETOR &amp; AIR FILTER

575 XP, 20070100001-Current

| Part No      | Description     | Remark | QTY KIT |
|--------------|-----------------|--------|---------|
| 502 20 65-01 | SCREW EHHM      |        | 1       |
| 502 20 65-01 | SCREW EHHM      |        | 1       |
| 502 20 83-02 | KNOB            |        | 1       |
| 502 20 83-02 | KNOB            |        | 1       |
| 503 20 02-16 | SCREW IHSCFM    |        | 3       |
| 503 20 25-20 | SCREW IHSCM     |        | 2       |
| 503 20 39-01 | SCREW IHSCM     |        | 2       |
| 503 21 26-16 | SCREW IHPANM    |        | 1       |
| 503 22 65-03 | SQUARE NUT      |        | 2       |
| 537 20 37-01 | IMPULSE HOSE    |        | 1       |
| 537 20 43-01 | INLET PIPE      |        | 1       |
| 537 20 45-01 | FLANGE          |        | 1       |
| 537 20 46-01 | SUPPORT SLEEVE  |        | 1       |
| 537 20 47-01 | INSULATION WALL |        | 1       |
| 537 20 49-01 | FLANGE          |        | 1       |
| 537 20 50-01 | FILTER HOLDER   |        | 1       |
| 537 20 66-01 | AIR FILTER ASSY |        | 1       |
| 537 20 66-02 | AIR FILTER ASSY |        | 1       |
| 537 20 66-03 | AIR FILTER ASSY |        | 1       |
| 537 20 75-01 | AIR FILTER      |        | 1       |
| 537 20 75-02 | AIR FILTER      |        | 1       |
| 537 20 75-03 | AIR FILTER      |        | 1       |
| 537 21 04-01 | ADAPTER         |        | 1       |
| 537 21 37-01 | LEVER           |        | 1       |
| 544 19 98-01 | CARBURETTOR     |        | 1       |
| 731 23 14-01 | HEXAGON NUT     |        | 1       |
| 731 23 14-01 | HEXAGON NUT     |        | 1       |

**G** \*compl 537 20 67-01



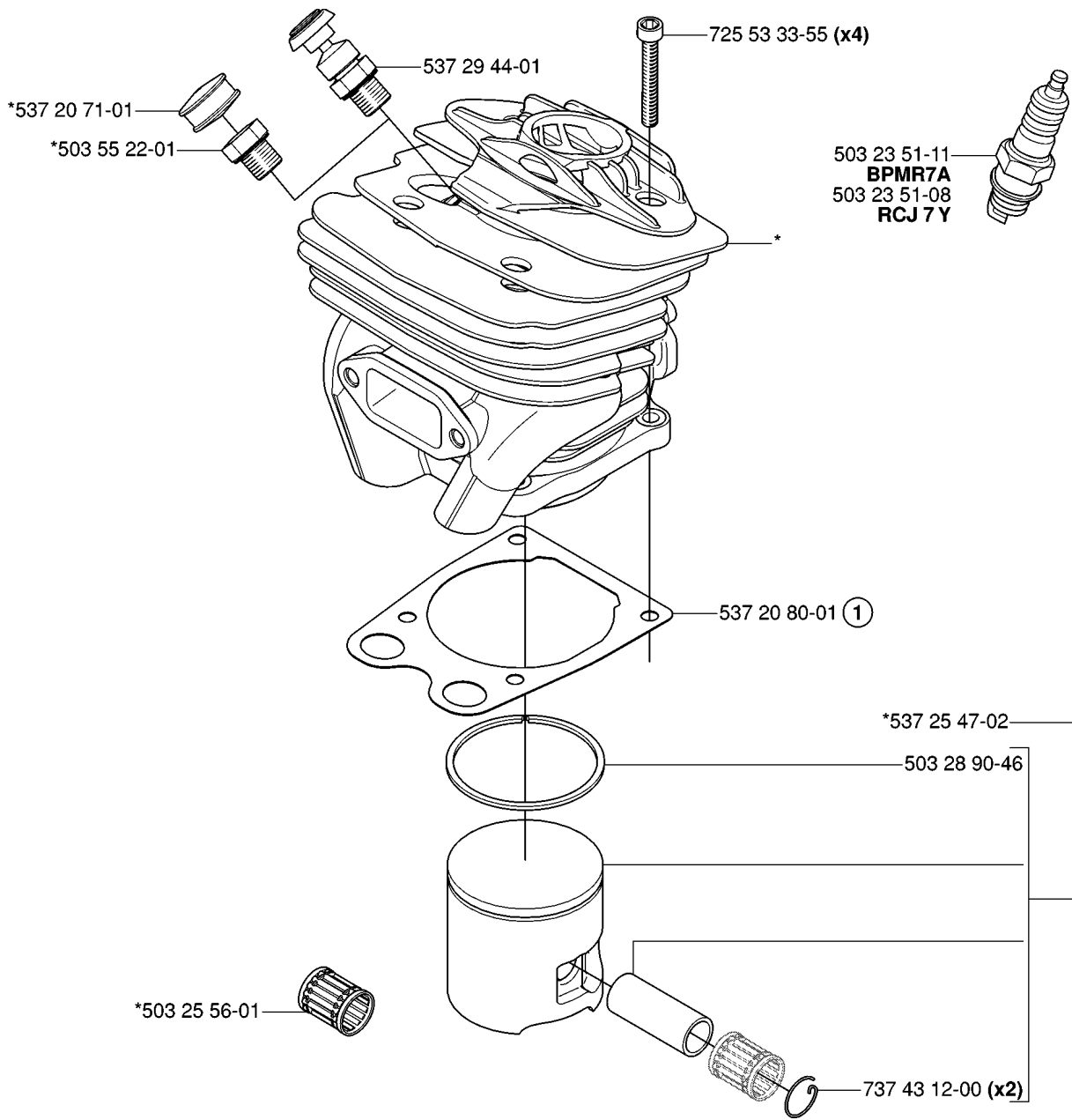


## MUFFLER

575 XP, 20070100001-Current

| Part No      | Description           | Remark | QTY KIT |
|--------------|-----------------------|--------|---------|
| 503 20 73-20 | SCREW IHSCM           |        | 2       |
| 503 76 64-02 | SPARK ARRESTER SCREEN |        | 1       |
| 537 20 67-01 | MUFFLER ASSY          |        | 1       |
| 537 20 82-01 | GASKET                |        | 1       |
| 537 21 06-01 | HEAT DEFLECTOR        |        | 1       |
| 724 12 87-59 | SCREW CRPANM          |        | 1       |
| 725 53 70-55 | SCREW IHSCM           |        | 2       |

**H** \*compl 537 25 45-02 570

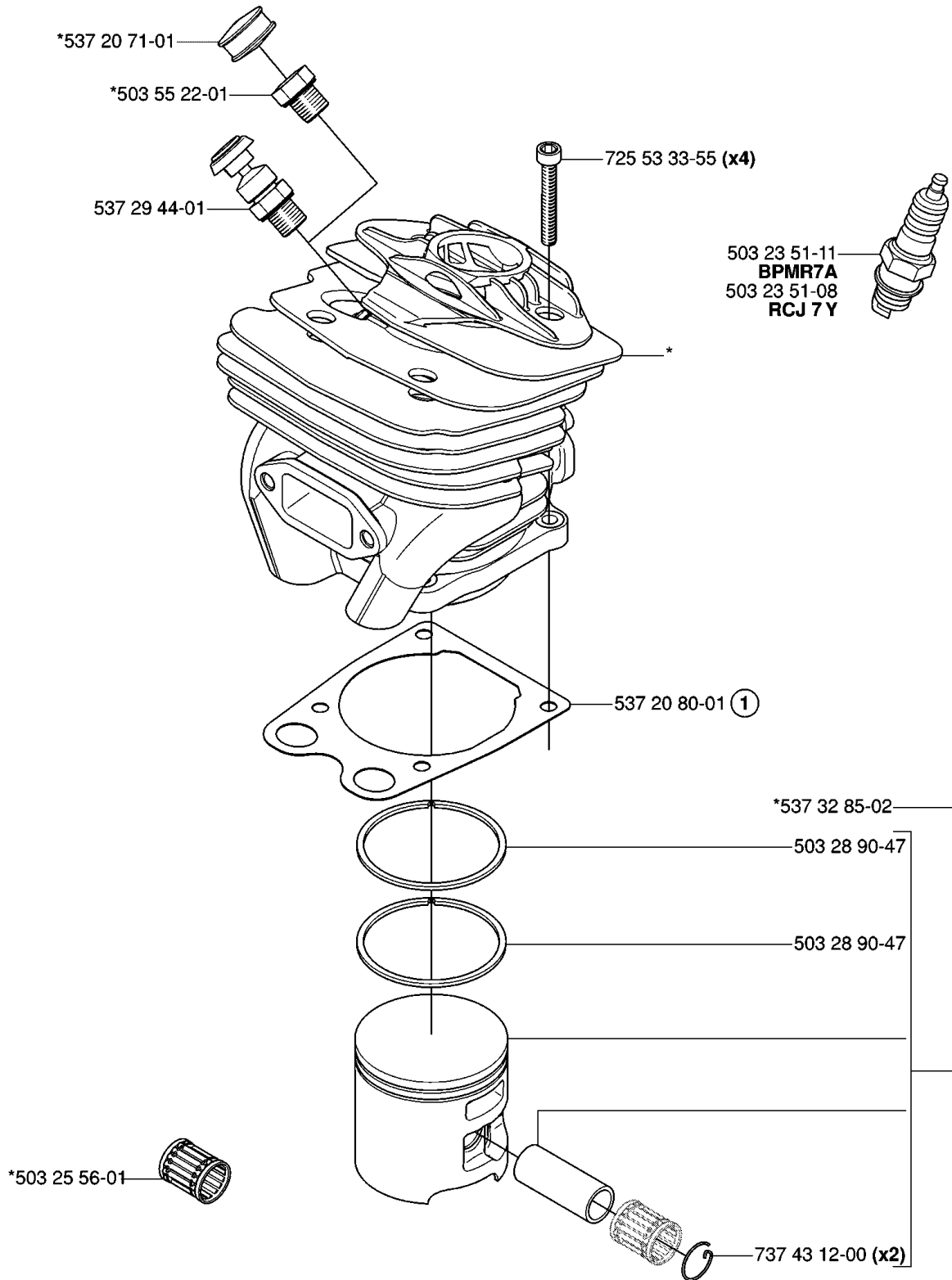


## CYLINDER PISTON

575 XP, 20070100001-Current

| Part No      | Description         | Remark | QTY KIT |
|--------------|---------------------|--------|---------|
| 503 23 51-08 | SPARK PLUG          |        | 1       |
| 503 23 51-11 | SPARK PLUG          |        | 1       |
| 503 25 56-01 | NEEDLE BEARING      |        | 1       |
| 503 28 90-46 | PISTON RING         |        | 1       |
| 503 55 22-01 | PLUG                |        | 1       |
| 537 20 71-01 | PLUG                |        | 1       |
| 537 20 80-01 | GASKET              |        | 1       |
| 537 25 45-02 | CYLINDER            |        | 1       |
| 537 25 47-02 | PISTON              |        | 1       |
| 537 29 44-01 | DECOMPRESSION VALVE |        | 1       |
| 725 53 33-55 | SCREW IHSCM         |        | 4       |
| 737 43 12-00 | SNAP RING           |        | 2       |

**H** \*compl 537 25 41-02 575XP

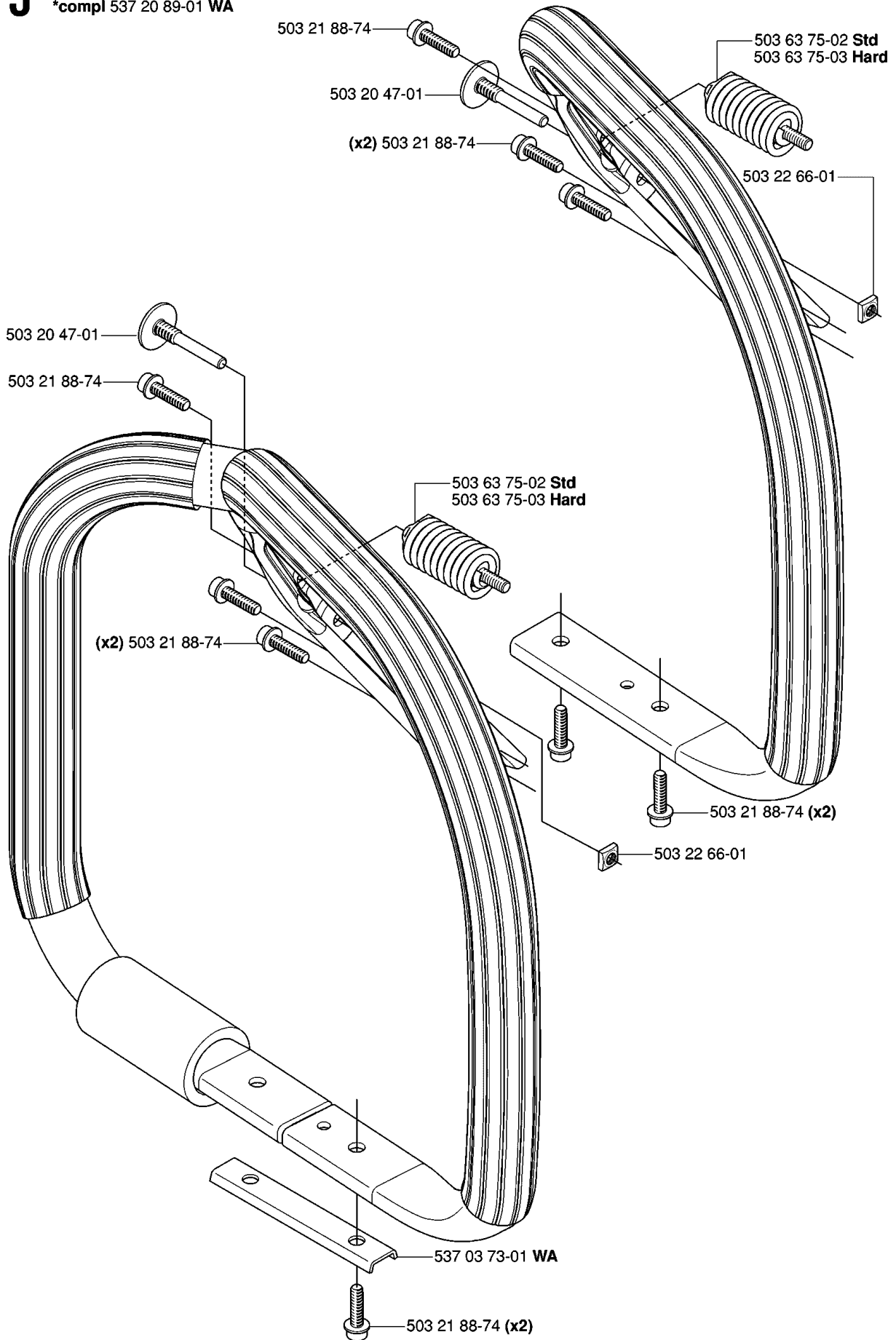


## CYLINDER PISTON

575 XP, 20070100001-Current

| Part No      | Description         | Remark | QTY KIT |
|--------------|---------------------|--------|---------|
| 503 23 51-08 | SPARK PLUG          |        | 1       |
| 503 23 51-11 | SPARK PLUG          |        | 1       |
| 503 25 56-01 | NEEDLE BEARING      |        | 1       |
| 503 28 90-47 | PISTON RING         |        | 1       |
| 503 28 90-47 | PISTON RING         |        | 1       |
| 503 55 22-01 | PLUG                |        | 1       |
| 537 20 71-01 | PLUG                |        | 1       |
| 537 20 80-01 | GASKET              |        | 1       |
| 537 25 41-02 | CYLINDER            |        | 1       |
| 537 29 44-01 | DECOMPRESSION VALVE |        | 1       |
| 537 32 85-02 | PISTON              |        | 1       |
| 725 53 33-55 | SCREW IHSCM         |        | 4       |
| 737 43 12-00 | SNAP RING           |        | 2       |

**J** \*compl 537 20 59-01  
\*compl 537 20 89-01 WA

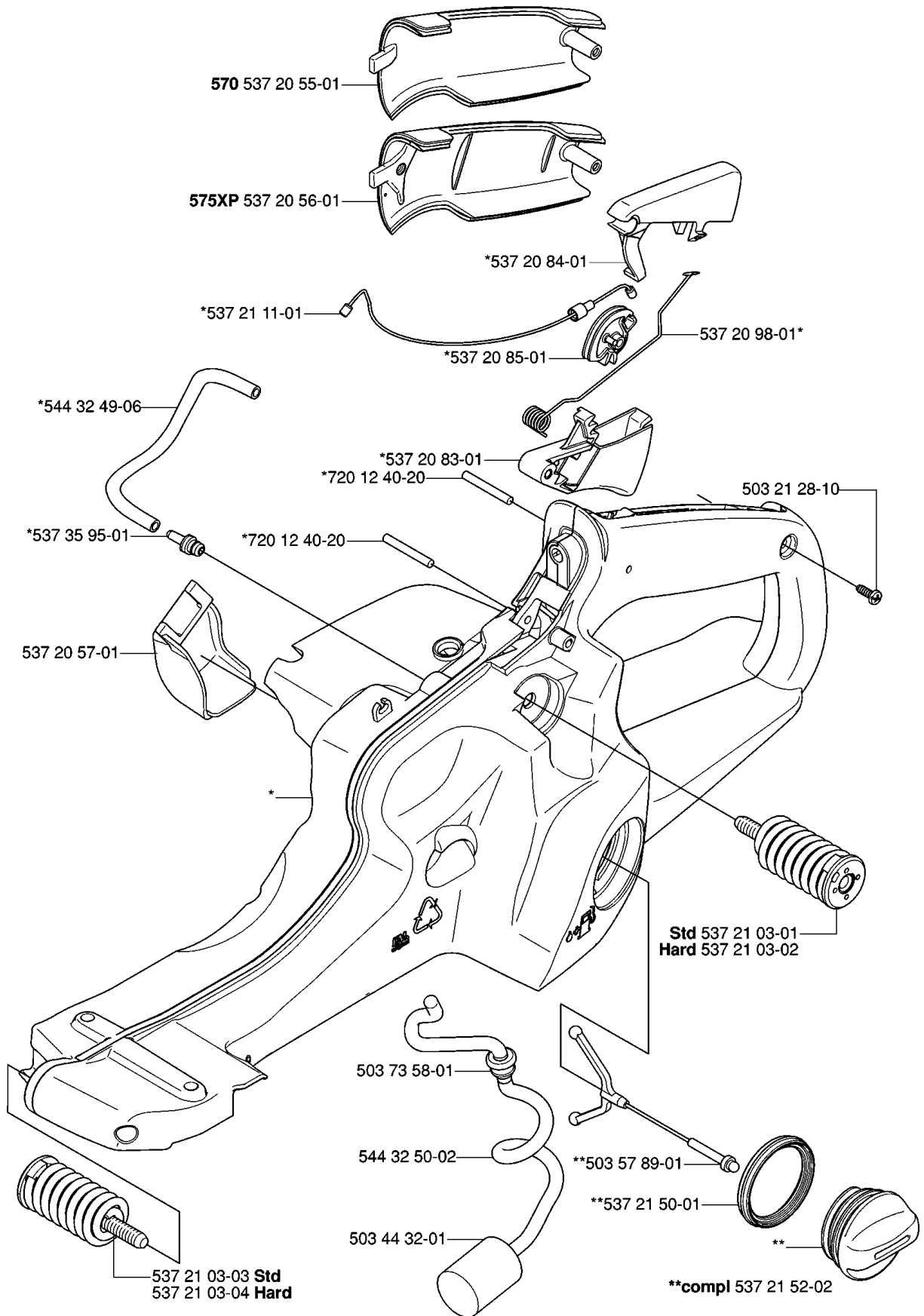


## HANDLE

575 XP, 20070100001-Current

| Part No      | Description           | Remark | QTY KIT |
|--------------|-----------------------|--------|---------|
| 503 20 47-01 | SCREW IHPANM          |        | 1       |
| 503 20 47-01 | SCREW IHPANM          |        | 1       |
| 503 21 88-74 | SCREW IHSCT           |        | 1       |
| 503 21 88-74 | SCREW IHSCT           |        | 2       |
| 503 21 88-74 | SCREW IHSCT           |        | 2       |
| 503 21 88-74 | SCREW IHSCT           |        | 2       |
| 503 21 88-74 | SCREW IHSCT           |        | 1       |
| 503 21 88-74 | SCREW IHSCT           |        | 2       |
| 503 22 66-01 | SQUARE NUT            |        | 1       |
| 503 22 66-01 | SQUARE NUT            |        | 1       |
| 503 63 75-02 | ANTIVIBRATION ELEMENT |        | 1       |
| 503 63 75-02 | ANTIVIBRATION ELEMENT |        | 1       |
| 503 63 75-03 | ANTIVIBRATION ELEMENT |        | 1       |
| 503 63 75-03 | ANTIVIBRATION ELEMENT |        | 1       |
| 537 03 73-01 | REINFORCING PLATE     |        | 1       |
| 537 20 59-01 | FRONT HANDLE ASSY     |        | 1       |
| 537 20 89-01 | HANDLE                |        | 1       |

**K** \*compl 537 21 35-04



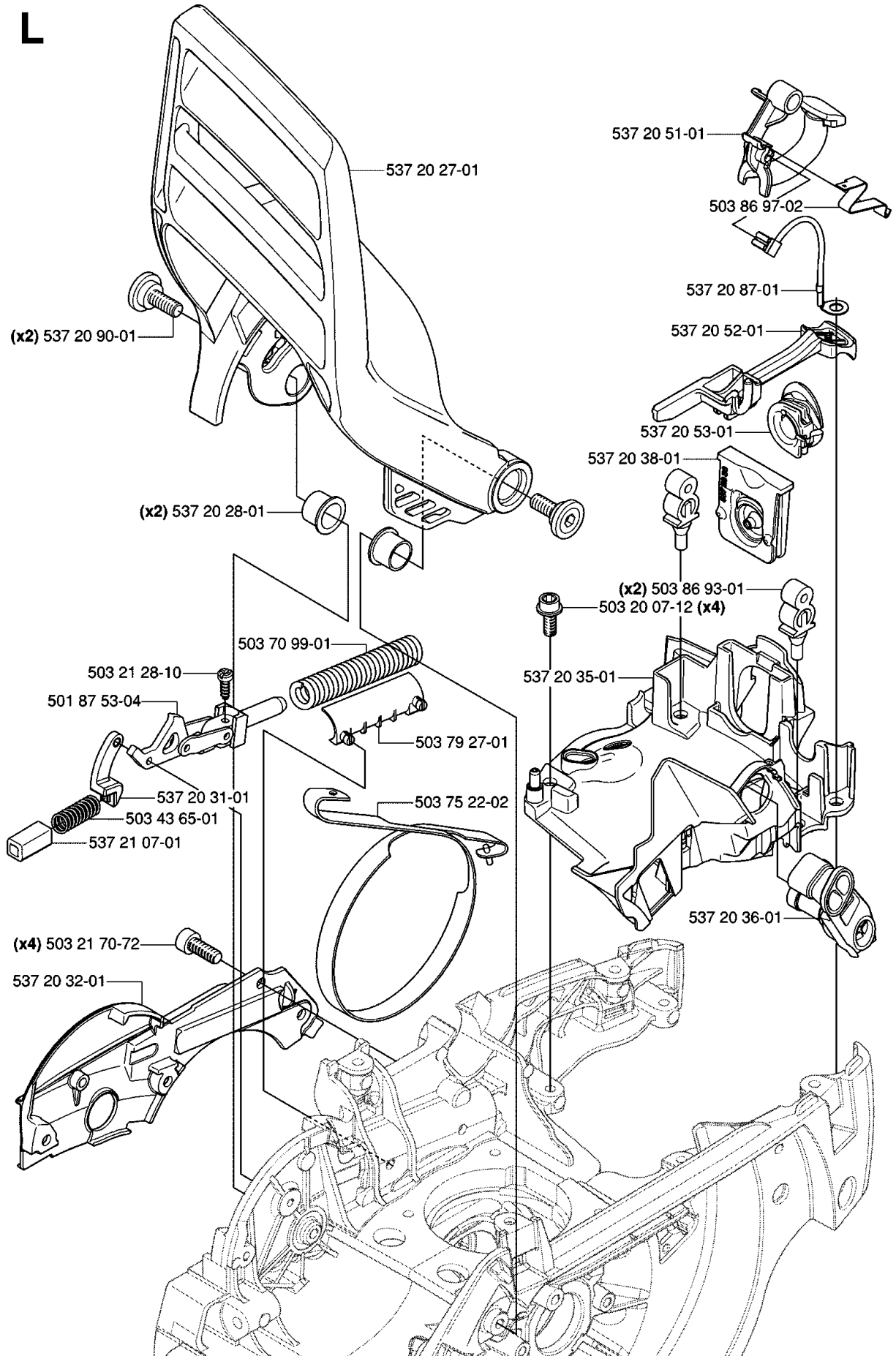


## FUEL TANK

575 XP, 20070100001-Current

| Part No      | Description           | Remark | QTY KIT |
|--------------|-----------------------|--------|---------|
| 503 21 28-10 | SCREW CCRPANT         |        | 1       |
| 503 44 32-01 | FUEL FILTER           |        | 1       |
| 503 57 89-01 | HOLDER                |        | 1       |
| 503 73 58-01 | BUSHING               |        | 1       |
| 537 20 55-01 | COVER                 |        | 1       |
| 537 20 56-01 | COVER                 |        | 1       |
| 537 20 57-01 | COVER                 |        | 1       |
| 537 20 83-01 | THROTTLE TRIGGER      |        | 1       |
| 537 20 84-01 | THROTTLE LOCKOUT      |        | 1       |
| 537 20 85-01 | LEVER                 |        | 1       |
| 537 20 98-01 | SPRING                |        | 1       |
| 537 21 03-01 | ANTIVIBRATION ELEMENT |        | 1       |
| 537 21 03-02 | ANTIVIBRATION ELEMENT |        | 1       |
| 537 21 03-03 | ANTIVIBRATION ELEMENT |        | 1       |
| 537 21 03-04 | ANTIVIBRATION ELEMENT |        | 1       |
| 537 21 11-01 | THROTTLE CABLE        |        | 1       |
| 537 21 35-04 | FUEL TANK             |        | 1       |
| 537 21 50-01 | SEALING               |        | 1       |
| 537 21 52-02 | TANK CAP ASSY         |        | 1       |
| 537 35 95-01 | TANK VENT ASSY        |        | 1       |
| 544 32 49-06 | FUEL HOSE             |        | 1       |
| 544 32 50-02 | FUEL HOSE             |        | 1       |
| 720 12 40-20 | PARALLEL PIN          |        | 1       |
| 720 12 40-20 | PARALLEL PIN          |        | 1       |

L

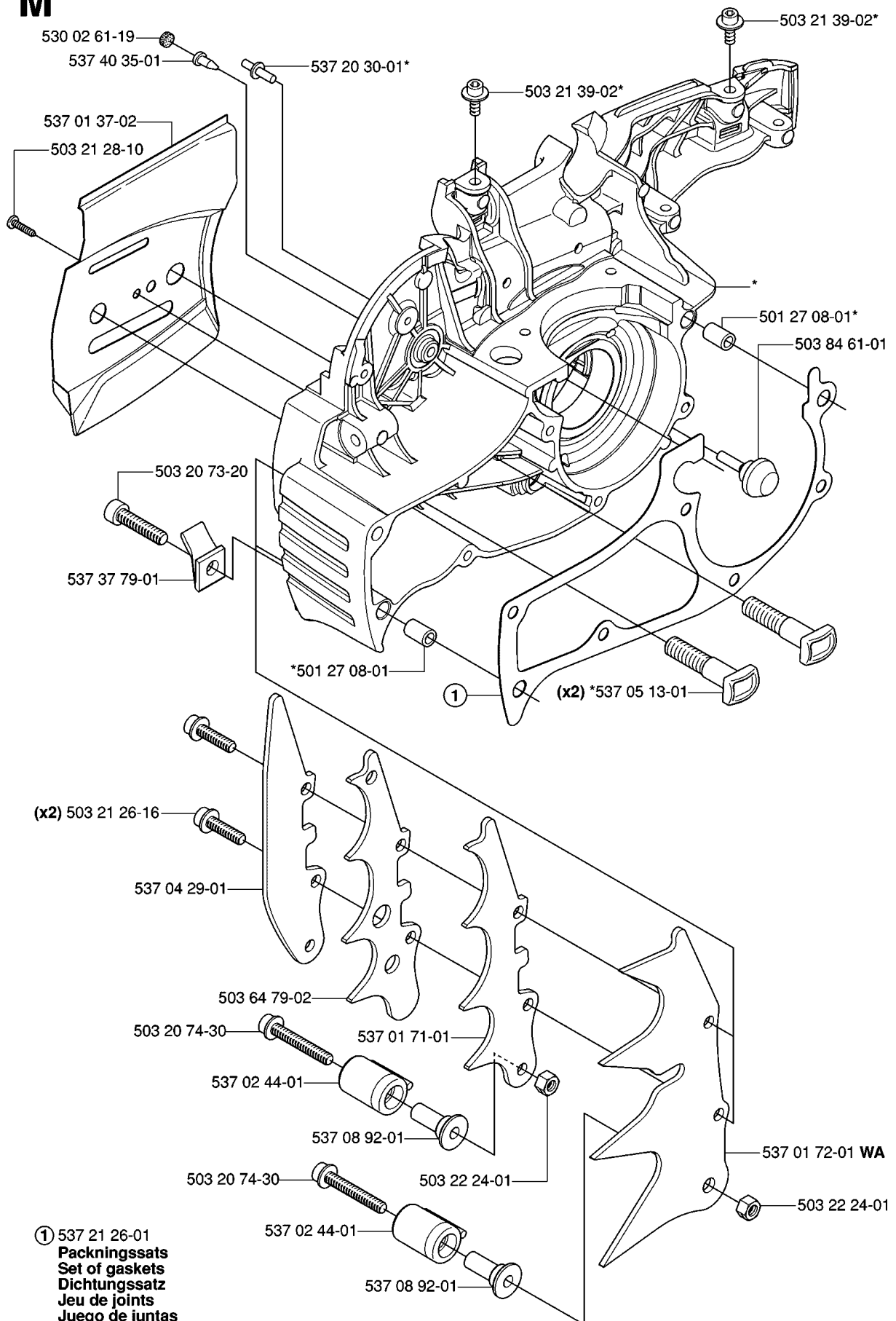


## CHAIN BRAKE

575 XP, 20070100001-Current

| Part No      | Description     | Remark | QTY KIT |
|--------------|-----------------|--------|---------|
| 501 87 53-04 | KNEE JOINT      |        | 1       |
| 503 20 07-12 | SCREW IHSCFM    |        | 4       |
| 503 21 28-10 | SCREW CCRPANT   |        | 1       |
| 503 21 70-72 | SCREW CCRPANT   |        | 4       |
| 503 43 65-01 | POSITION SPRING |        | 1       |
| 503 70 99-01 | BRAKE SPRING    |        | 1       |
| 503 75 22-02 | BRAKE BAND ASSY |        | 1       |
| 503 79 27-01 | SUPPORT         |        | 1       |
| 503 86 93-01 | SUPPORT         |        | 2       |
| 503 86 97-02 | SPRING          |        | 1       |
| 537 20 27-01 | HAND GUARD ASSY |        | 1       |
| 537 20 28-01 | BUSHING         |        | 2       |
| 537 20 31-01 | LOCK            |        | 1       |
| 537 20 32-01 | HUB CAP         |        | 1       |
| 537 20 35-01 | CARBURETTOR     |        | 1       |
| 537 20 36-01 | GUIDE BUSHING   |        | 1       |
| 537 20 38-01 | GROMMET         |        | 1       |
| 537 20 51-01 | STOP SWITCH     |        | 1       |
| 537 20 52-01 | CHOKE CONTROL   |        | 1       |
| 537 20 53-01 | SEALING         |        | 1       |
| 537 20 87-01 | GROUND CABLE    |        | 1       |
| 537 20 90-01 | SCREW           |        | 2       |
| 537 21 07-01 | SPRING GUIDE    |        | 1       |

**M** \*compl 537 20 93-04



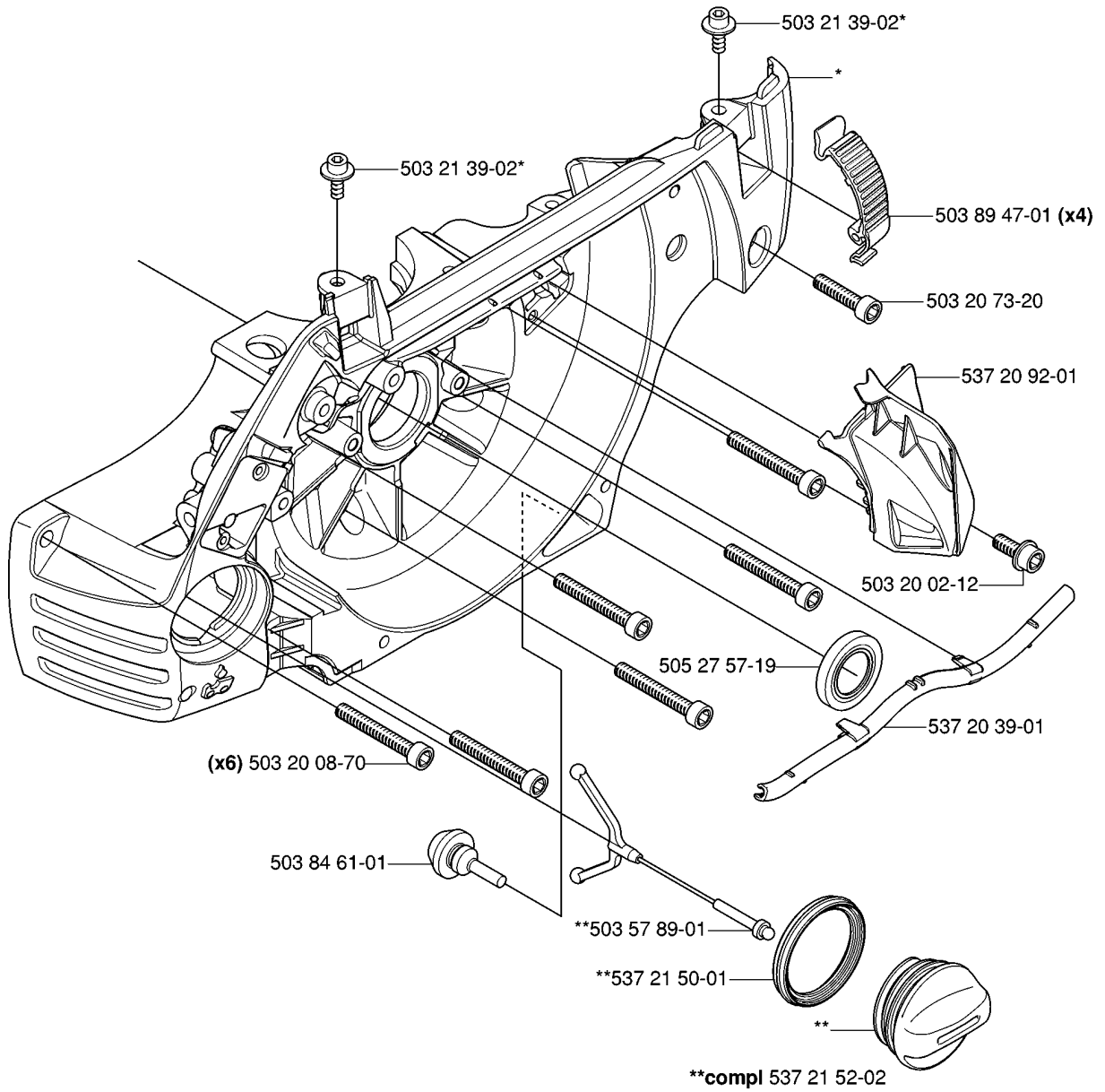
① 537 21 26-01  
**Packingsatz**  
**Set of gaskets**  
**Dichtungssatz**  
**Jeu de joints**  
**Juego de juntas**

## CRANKCASE

575 XP, 20070100001-Current

| Part No      | Description       | Remark | QTY KIT |
|--------------|-------------------|--------|---------|
| 501 27 08-01 | GUIDE BUSHING     |        | 1       |
| 501 27 08-01 | GUIDE BUSHING     |        | 1       |
| 503 20 73-20 | SCREW IHSCM       |        | 1       |
| 503 20 74-30 | SCREW IHSCFM      |        | 1       |
| 503 20 74-30 | SCREW IHSCFM      |        | 1       |
| 503 21 26-16 | SCREW IHPANM      |        | 2       |
| 503 21 28-10 | SCREW CCRPANT     |        | 1       |
| 503 21 39-02 | SCREW IHSCM       |        | 1       |
| 503 21 39-02 | SCREW IHSCM       |        | 1       |
| 503 22 24-01 | LOCK NUT          |        | 1       |
| 503 22 24-01 | LOCK NUT          |        | 1       |
| 503 64 79-02 | SPIKE             |        | 1       |
| 503 84 61-01 | BUFFER            |        | 1       |
| 530 02 61-19 | CHECK VALVE       |        | 1       |
| 537 01 37-02 | CHAIN GUIDE PLATE |        | 1       |
| 537 01 71-01 | SPIKE             |        | 1       |
| 537 01 72-01 | SPIKE             |        | 1       |
| 537 02 44-01 | WEAR PROTECTION   |        | 1       |
| 537 02 44-01 | WEAR PROTECTION   |        | 1       |
| 537 04 29-01 | BUMPER            |        | 1       |
| 537 05 13-01 | BAR BOLT          |        | 2       |
| 537 08 92-01 | CHAIN CATCHER     |        | 1       |
| 537 08 92-01 | CHAIN CATCHER     |        | 1       |
| 537 20 30-01 | PIN KNEE-JOINT    |        | 1       |
| 537 20 93-04 | CRANKCASE ASSY    |        | 1       |
| 537 37 79-01 | CHAIN CATCHER     |        | 1       |
| 537 40 35-01 | FILTER            |        | 1       |

**M** \*compl 537 20 93-02

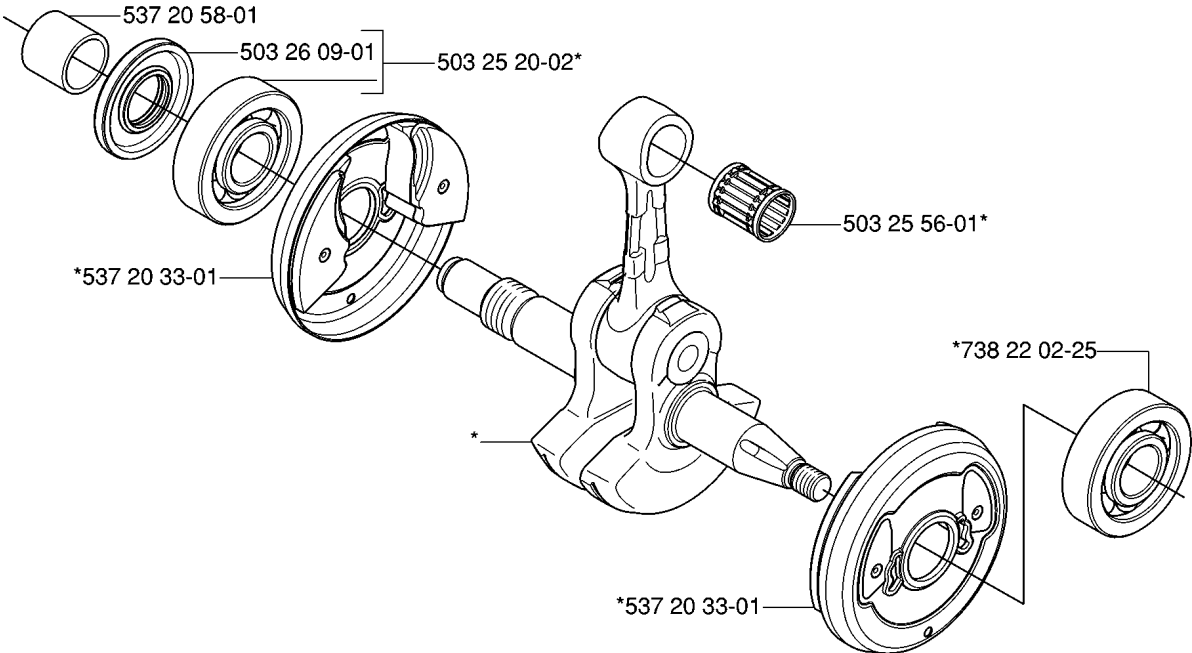


## CRANKCASE

575 XP, 20070100001-Current

| Part No      | Description    | Remark | QTY KIT |
|--------------|----------------|--------|---------|
| 503 20 02-12 | SCREW IHSCFM   |        | 1       |
| 503 20 08-70 | SCREW IHSCM    |        | 6       |
| 503 20 73-20 | SCREW IHSCM    |        | 1       |
| 503 21 39-02 | SCREW IH SCT   |        | 1       |
| 503 21 39-02 | SCREW IH SCT   |        | 1       |
| 503 57 89-01 | HOLDER         |        | 1       |
| 503 84 61-01 | BUFFER         |        | 1       |
| 503 89 47-01 | SNAP LOCKING   |        | 4       |
| 505 27 57-19 | SEALING RING   |        | 1       |
| 537 20 39-01 | CABLE HOLDER   |        | 1       |
| 537 20 92-01 | AIR NOZZLE     |        | 1       |
| 537 20 93-02 | CRANKCASE ASSY |        | 1       |
| 537 21 50-01 | SEALING        |        | 1       |
| 537 21 52-02 | TANK CAP ASSY  |        | 1       |

**N** \*compl 537 30 61-02





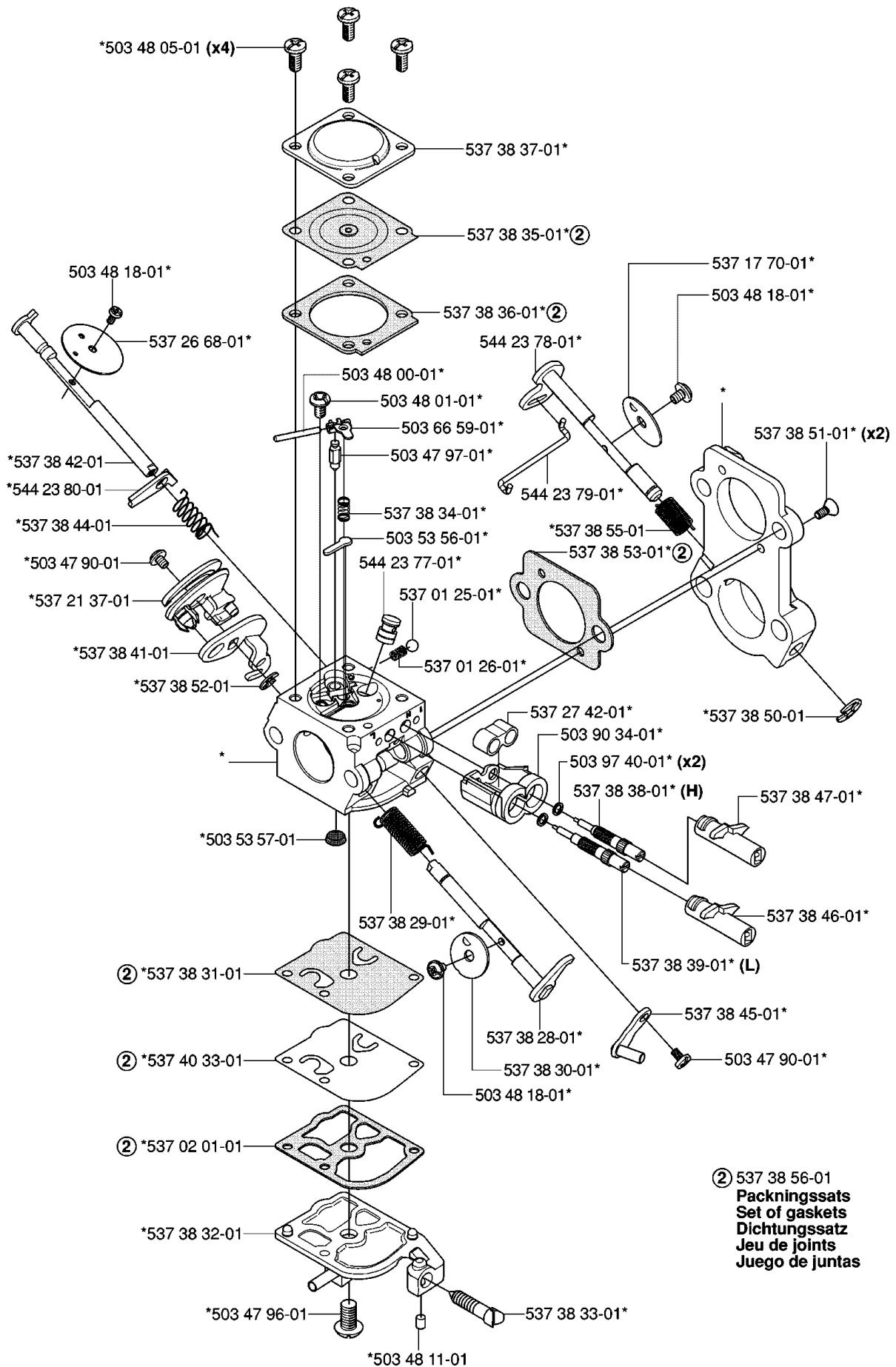
## CRANKSHAFT

575 XP, 20070100001-Current

| Part No      | Description     | Remark | QTY KIT |
|--------------|-----------------|--------|---------|
| 503 25 20-02 | BALL BEARING    |        | 1       |
| 503 25 56-01 | NEEDLE BEARING  |        | 1       |
| 503 26 09-01 | SEALING         |        | 1       |
| 537 20 33-01 | CUP             |        | 1       |
| 537 20 33-01 | CUP             |        | 1       |
| 537 20 58-01 | SLEEVE          |        | 1       |
| 537 30 61-02 | CRANKSHAFT ASSY |        | 1       |
| 738 22 02-25 | BALL BEARING    |        | 1       |

**P** \*compl 544 19 98-01 ZAMA C1M-EL28

**ZAMA C1M-EL28**



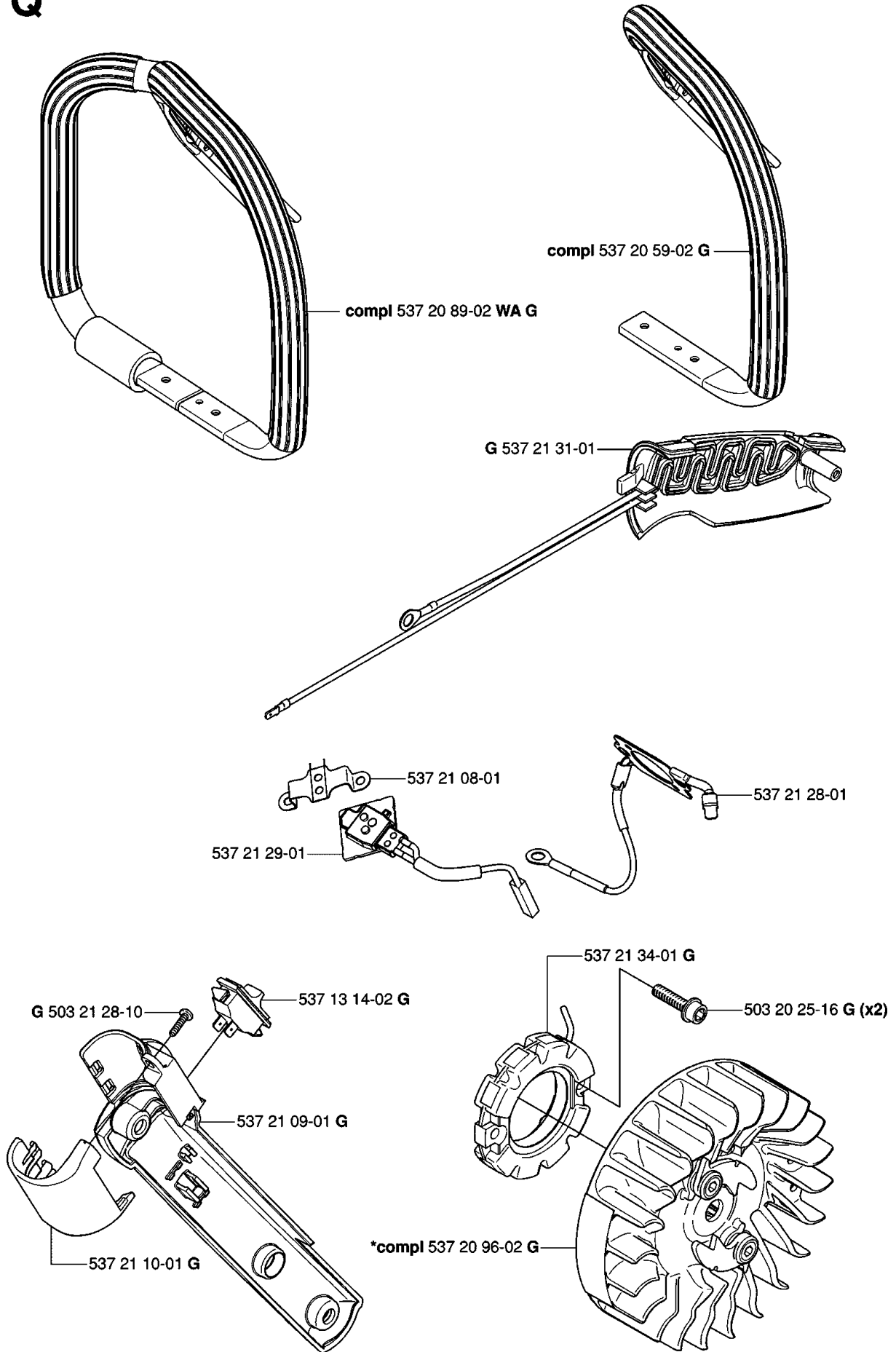
(2) 537 38 56-01  
**Packingsatz**  
**Set of gaskets**  
**Dichtungssatz**  
**Jeu de joints**  
**Juego de juntas**

## CARBURETOR

575 XP, 20070100001-Current

| Part No      | Description         | Remark | QTY KIT |
|--------------|---------------------|--------|---------|
| 503 47 90-01 | SCREW               |        | 1       |
| 503 47 90-01 | SCREW               |        | 1       |
| 503 47 96-01 | SCREW               |        | 1       |
| 503 47 97-01 | VALVE               |        | 1       |
| 503 48 00-01 | PIN RETAINING SCREW |        | 1       |
| 503 48 01-01 | SCREW               |        | 1       |
| 503 48 05-01 | SCREW               |        | 4       |
| 503 48 11-01 | PIECE               |        | 1       |
| 503 48 18-01 | SCREW               |        | 1       |
| 503 48 18-01 | SCREW               |        | 1       |
| 503 48 18-01 | SCREW               |        | 1       |
| 503 53 56-01 | PLUG WELCH          |        | 1       |
| 503 53 57-01 | STRAINER            |        | 1       |
| 503 66 59-01 | LEVER               |        | 1       |
| 503 90 34-01 | RETAINER            |        | 1       |
| 503 97 40-01 | WASHER              |        | 2       |
| 537 01 25-01 | BALL                |        | 1       |
| 537 01 26-01 | SPRING              |        | 1       |
| 537 02 01-01 | GASKET              |        | 1       |
| 537 17 70-01 | VALVE               |        | 1       |
| 537 21 37-01 | LEVER               |        | 1       |
| 537 26 68-01 | VALVE               |        | 1       |
| 537 27 42-01 | BOOT                |        | 1       |
| 537 38 28-01 | SHAFT ASSY          |        | 1       |
| 537 38 29-01 | SPRING              |        | 1       |
| 537 38 30-01 | VALVE               |        | 1       |
| 537 38 31-01 | DIAPHRAGM PUMP      |        | 1       |
| 537 38 32-01 | COVER               |        | 1       |
| 537 38 33-01 | SCREW               |        | 1       |
| 537 38 34-01 | SPRING              |        | 1       |
| 537 38 35-01 | DIAPHRAGM           |        | 1       |
| 537 38 36-01 | GASKET              |        | 1       |
| 537 38 37-01 | COVER               |        | 1       |
| 537 38 38-01 | SCREW               |        | 1       |
| 537 38 39-01 | SCREW               |        | 1       |
| 537 38 41-01 | LEVER               |        | 1       |
| 537 38 42-01 | SHAFT ASSY          |        | 1       |
| 537 38 44-01 | SPRING              |        | 1       |
| 537 38 45-01 | LEVER               |        | 1       |
| 537 38 46-01 | LIMITER CAP         |        | 1       |
| 537 38 47-01 | LIMITER CAP         |        | 1       |
| 537 38 50-01 | CLIP                |        | 1       |
| 537 38 51-01 | SCREW               |        | 2       |
| 537 38 52-01 | CLIP                |        | 1       |
| 537 38 53-01 | GASKET              |        | 1       |
| 537 38 55-01 | SPRING              |        | 1       |
| 537 40 33-01 | DIAPHRAGM           |        | 1       |
| 544 19 98-01 | CARBURETTOR         |        | 1       |
| 544 23 77-01 | NOZZLE ASSY         |        | 1       |
| 544 23 78-01 | SHAFT               |        | 1       |
| 544 23 79-01 | ROD                 |        | 1       |
| 544 23 80-01 | LEVER               |        | 1       |

**Q**



## HANDLES HEATED

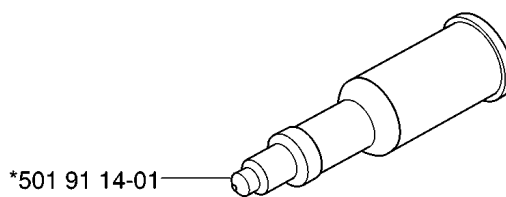
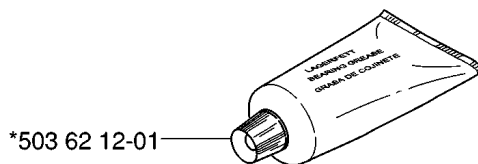
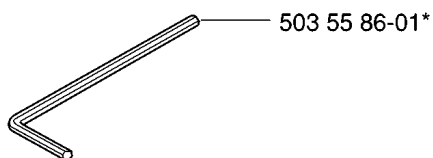
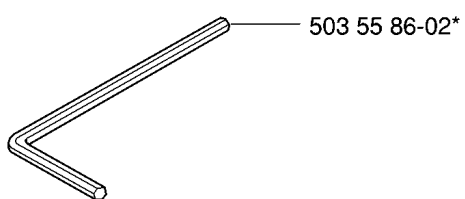
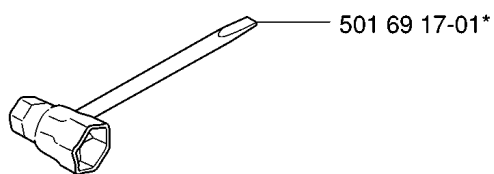
575 XP, 20070100001-Current

| Part No      | Description       | Remark | QTY KIT |
|--------------|-------------------|--------|---------|
| 503 20 25-16 | SCREW IHSCM       |        | 2       |
| 503 21 28-10 | SCREW CCRPANT     |        | 1       |
| 537 13 14-02 | SWITCH            |        | 1       |
| 537 20 59-02 | FRONT HANDLE ASSY |        | 1       |
| 537 20 89-02 | HANDLE            |        | 1       |
| 537 20 96-02 | FLYWHEEL ASSY     |        | 1       |
| 537 21 08-01 | RETAINER          |        | 1       |
| 537 21 09-01 | COVER             |        | 1       |
| 537 21 10-01 | HUB CAP           |        | 1       |
| 537 21 28-01 | FOIL ELEMENT      |        | 1       |
| 537 21 29-01 | THERMOSTAT ASSY   |        | 1       |
| 537 21 31-01 | COVER             |        | 1       |
| 537 21 34-01 | GENERATOR STATOR  |        | 1       |



| Ref | Part No      | Description  | Remark | QTY KIT |
|-----|--------------|--------------|--------|---------|
|     | 537 21 05-01 | WINTER COVER |        | 1       |

**S** Tillbehör  
Accessories  
Zubehöre  
Accessoires  
Accesorios  
\*compl 503 55 85-01





## ACCESSORIES

575 XP, 20070100001-Current

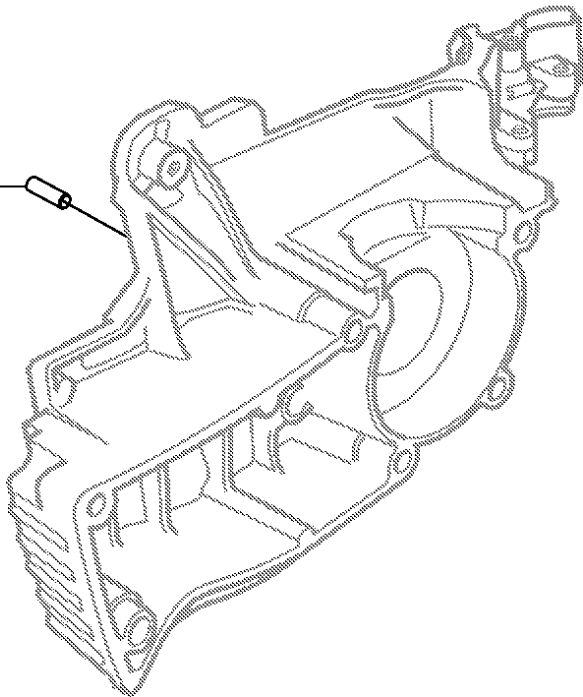
| Part No      | Description        | Remark | QTY KIT |
|--------------|--------------------|--------|---------|
| 501 69 17-01 | COMBINATION WRENCH |        | 1       |
| 501 91 14-01 | GREASE GUN         |        | 1       |
| 503 55 85-01 | TOOL               |        | 1       |
| 503 55 86-01 | SPANNER            |        | 1       |
| 503 55 86-02 | SPANNER            |        | 1       |
| 503 62 12-01 | GREASE             |        | 1       |

**T**



**Up to 052400001**

\*537 04 03-01



SERVICE UPDATES

575 XP, 20070100001-Current

| Part No      | Description | Remark | QTY KIT |
|--------------|-------------|--------|---------|
| 537 04 03-01 | VALVE       |        | 1       |