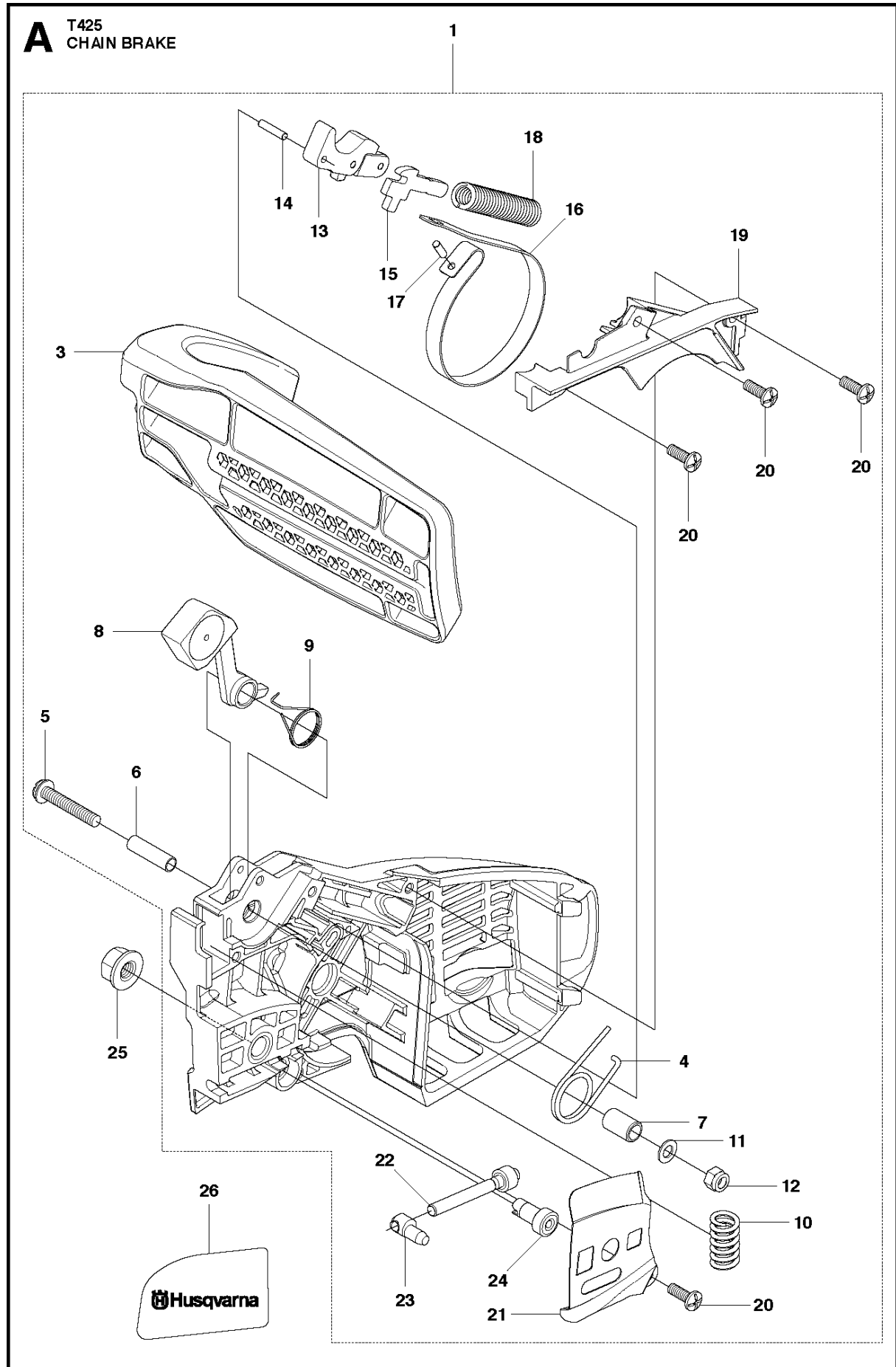




SPARE PARTS LIST

CHAIN SAWS

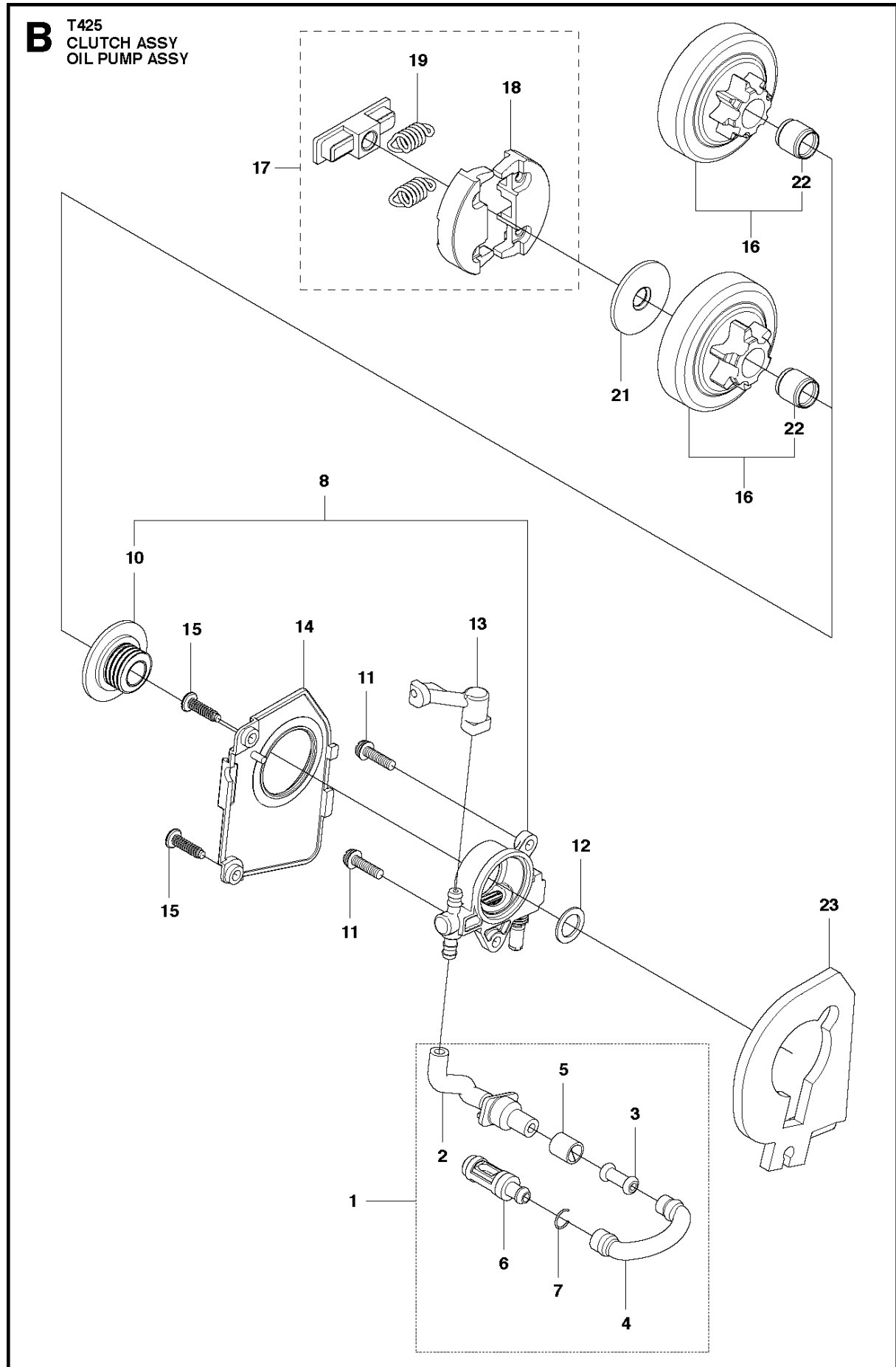
T425, 20080100001-current, CHAIN SAW



CHAIN BRAKE

T425, 20080100001-current, CHAIN SAW

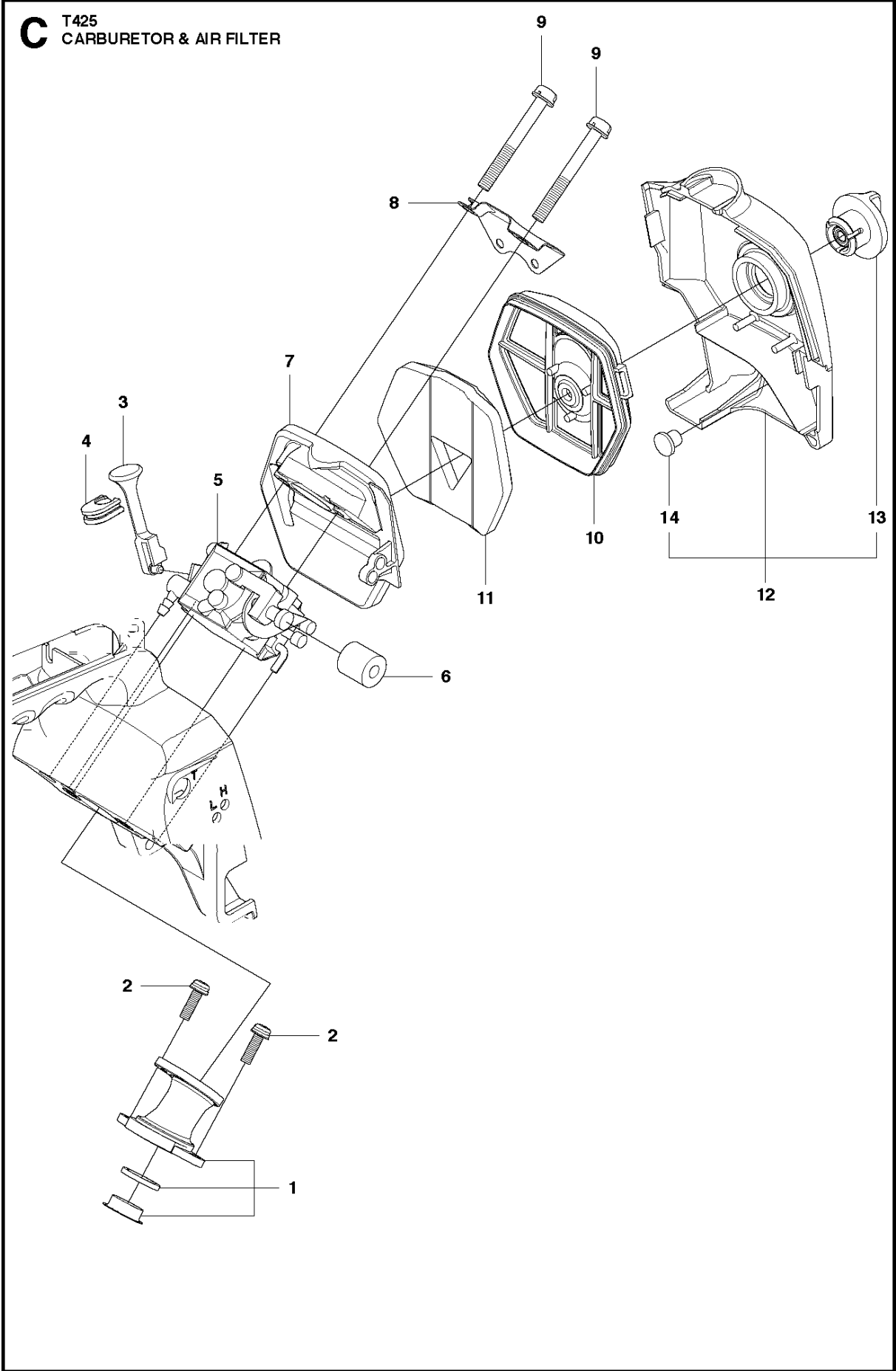
Ref	Part No	Description	Remark	QTY	KIT
1	505 05 04-01	BRAKE ASSY		1	
3	505 05 06-01	GUIDE BAR		1	1
4	505 05 07-01	SPRING		1	1
5	505 05 08-01	SCREW		1	1
6	505 05 09-01	SPACER		1	1
7	505 05 10-01	SPACER		1	1
8	505 05 11-01	WEIGHT		1	1
9	505 05 12-01	SPRING		1	1
10	505 05 13-01	SPRING		1	1
11	505 05 14-01	WASHER		1	1
12	505 05 15-01	NUT		1	1
13	505 05 16-01	LEVER		1	1
14	505 05 17-01	ROLLER		1	1
15	505 05 18-01	ARM		1	1
16	505 05 19-01	BAND		1	1
17	505 05 20-01	ROLLER		1	1
18	505 05 21-01	SPRING		1	1
19	505 05 22-01	COVER		1	1
20	505 05 23-01	SCREW		4	1
21	505 05 24-01	PLATE		1	1
22	505 05 25-01	SCREW		1	1
23	505 05 26-01	NUT		1	1
24	505 05 27-01	GEAR		1	1
25	505 05 28-01	NUT		1	
26	505 05 90-01	DECAL		1	



CLUTCH & OIL PUMP

T425, 20080100001-current, CHAIN SAW

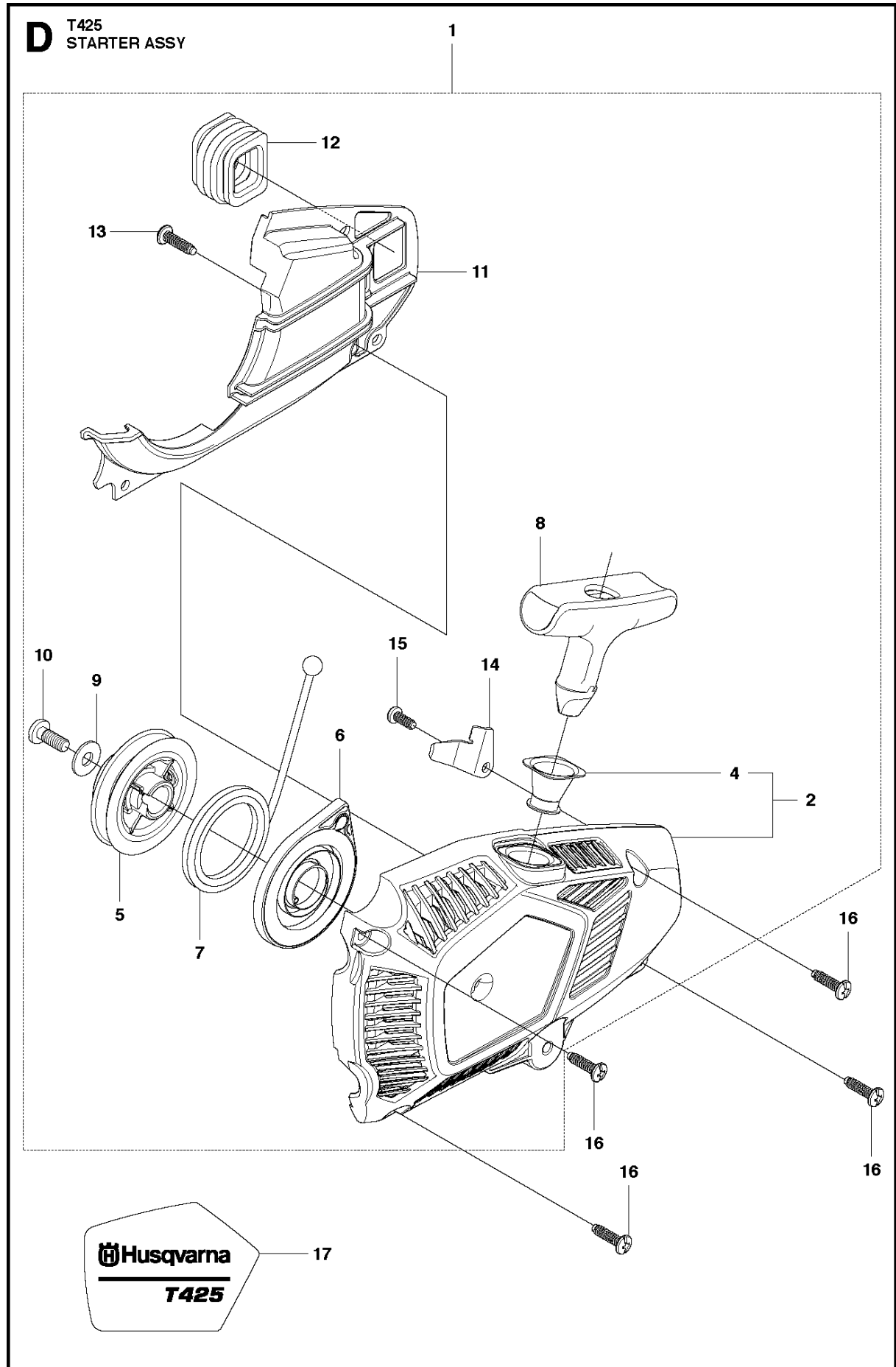
Ref	Part No	Description	Remark	QTY KIT	
1	505 04 46-01	PIPE COMP		1	
2	505 04 47-01	PIPE		1	1
3	505 04 48-01	JOINT		1	1
4	505 04 49-01	PIPE		1	1
5	505 04 50-01	CLIP		1	1
6	505 04 51-01	FILTER		1	1
7	505 04 52-01	RING		1	1
8	505 05 29-01	OIL PUMP ASSY		1	
10	505 05 31-01	WORM		1	8
11	505 04 16-01	SCREW		2	
12	505 05 33-01	WASHER		1	
13	505 05 35-01	PIPE		1	
14	505 05 36-01	COVER		1	
15	505 04 70-01	SCREW		2	
16	525 61 52-01	CLUTCH DRUM	1/4 8-Tooth	1	
16	525 61 53-01	CLUTCH DRUM ASSY	3/8 6-Tooth	1	
17	505 04 98-01	CLUTCH		1	
18	505 04 99-01	SHOE.CLUTCH		2	17
19	505 05 00-01	SPRING		2	17
21	505 05 02-01	PLATE		1	
22	505 05 03-01	BEARING		1	16
23	505 05 34-01	SEAL		1	



CARBURETOR & AIR FILTER

T425, 20080100001-current, CHAIN SAW

Ref	Part No	Description	Remark	QTY	KIT
1	505 06 04-01	PIPE SET		1	1
2	505 04 16-01	SCREW		2	2
3	505 05 84-01	ROD		1	1
4	505 05 85-01	GROMMET		1	1
5	588 15 22-01	CARBURETTOR		1	1
6	505 05 81-01	SEAL		1	1
7	505 05 82-01	PLATE.BASE		1	1
8	505 05 86-01	PLATE		1	1
9	505 05 83-01	SCREW		2	2
10	505 05 87-01	CLEANER		1	1
11	505 05 88-01	AIR FILTER		1	1
12	505 04 92-01	COVER		1	1
13	577 43 37-01	KNOB		1	1
14	505 04 94-01	GROMMET		1	1

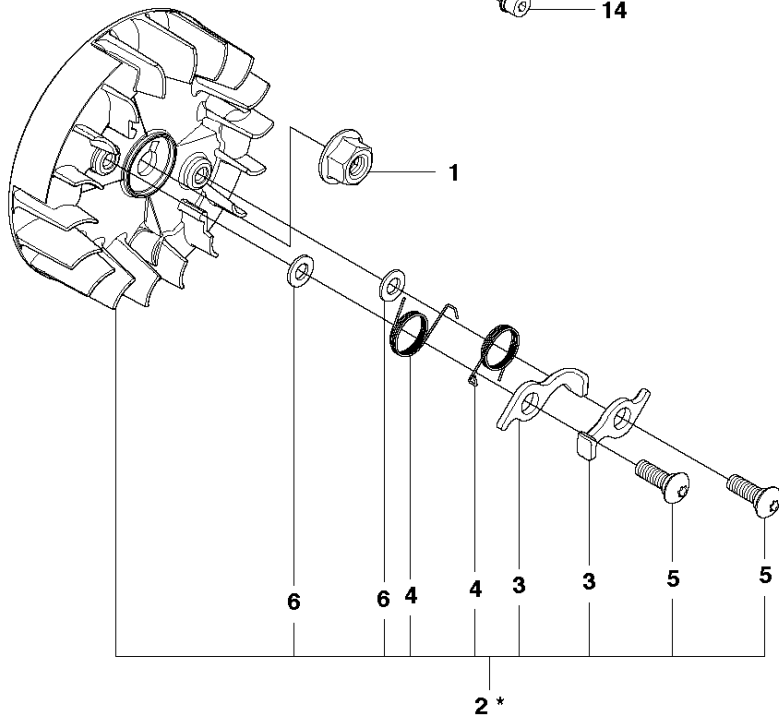
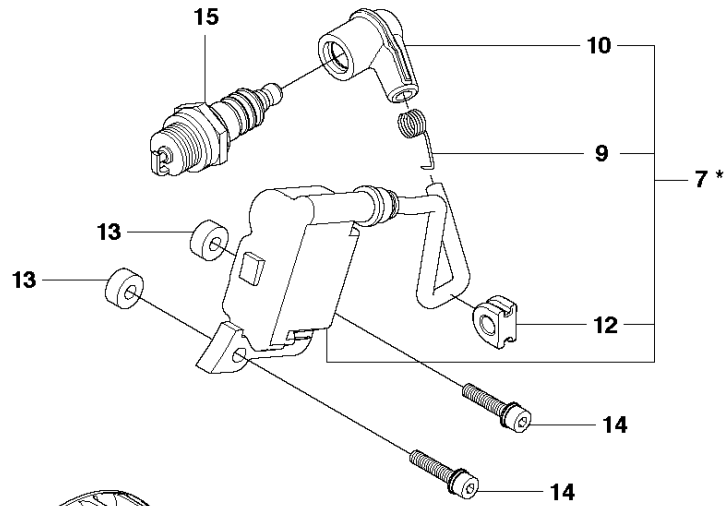
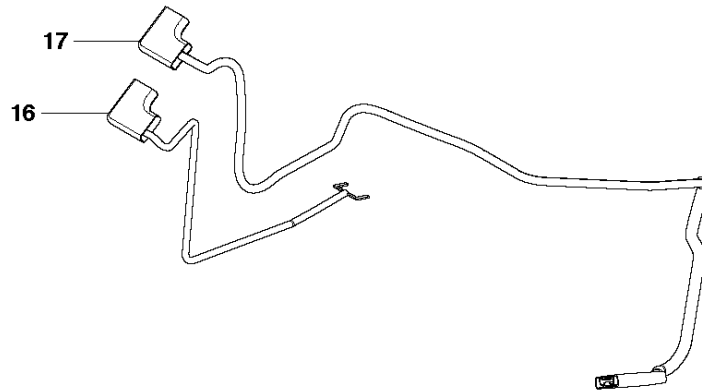


STARTER

T425, 20080100001-current, CHAIN SAW

Ref	Part No	Description	Remark	QTY	KIT
1	505 05 38-01	STARTER		1	
2	505 05 39-01	CASE COMP		1	1
4	537 28 32-01	SLEEVE		1	1, 2
5	505 05 40-01	REEL		1	1
6	505 05 41-01	SPRING		1	1
7	505 05 42-01	ROPE		1	1
8	505 05 43-01	KNOB		1	1
9	505 05 44-01	WASHER		1	1
10	505 04 76-01	SCREW		1	1
11	505 05 46-01	COVER		1	1
12	505 05 47-01	PIPE		1	1
13	505 04 70-01	SCREW		1	1
14	505 15 19-01	GUIDE		1	1
15	505 15 20-01	SCREW		1	1
16	505 04 70-01	SCREW		4	
17	505 05 91-01	DECAL		1	

E T425
IGNITION SYSTEM

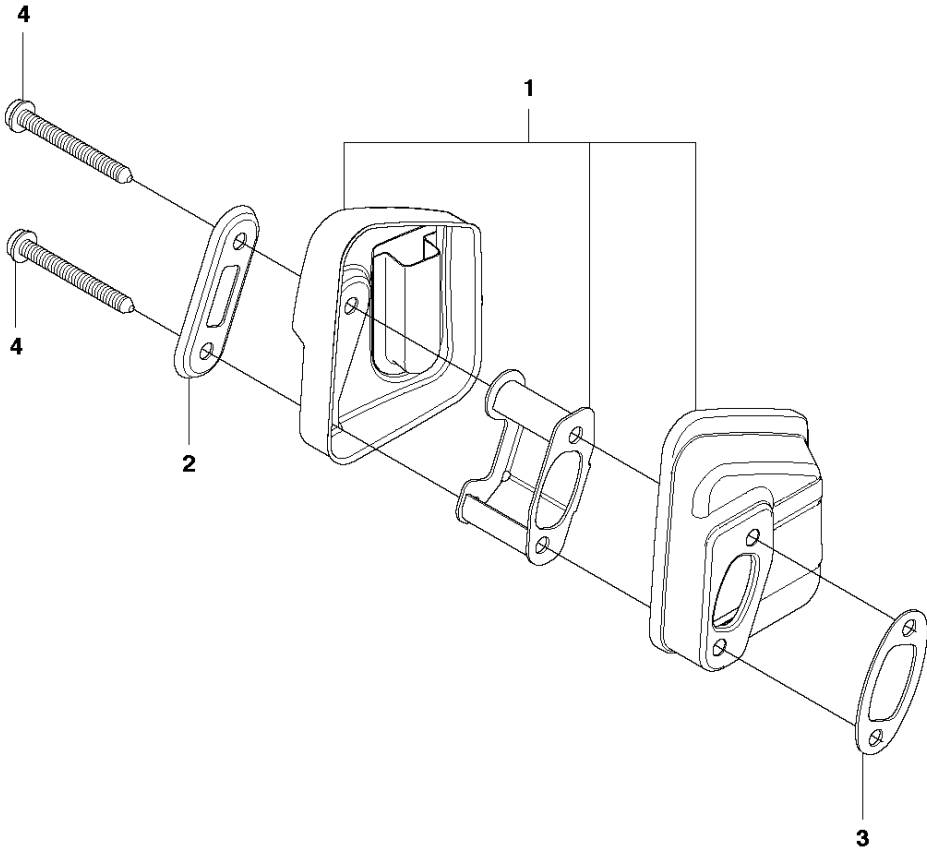


IGNITION SYSTEM

T425, 20080100001-current, CHAIN SAW

Ref	Part No	Description	Remark	QTY	KIT
1	505 04 15-01	NUT		1	
2	575 32 21-01	ROTOR		1	
3	521 55 17-01	PAWL		2	2
4	521 55 18-01	SPRING		2	2
5	521 51 60-01	SCREW		2	2
6	506 61 44-01	WASHER		2	2
7	525 73 81-01	IGNITION MODULE		1	
9	513 24 33-01	SPRING		1	
10	525 61 55-01	HUB CAP		1	
12	505 04 33-01	GROMMET		1	7
13	505 04 34-01	SPACER		2	
14	505 04 35-01	BOLT		2	
15	503 23 51-08	SPARK PLUG		1	
16	505 04 37-01	CORD		1	
17	505 04 38-01	CORD		1	

F T425
MUFFLER ASSY

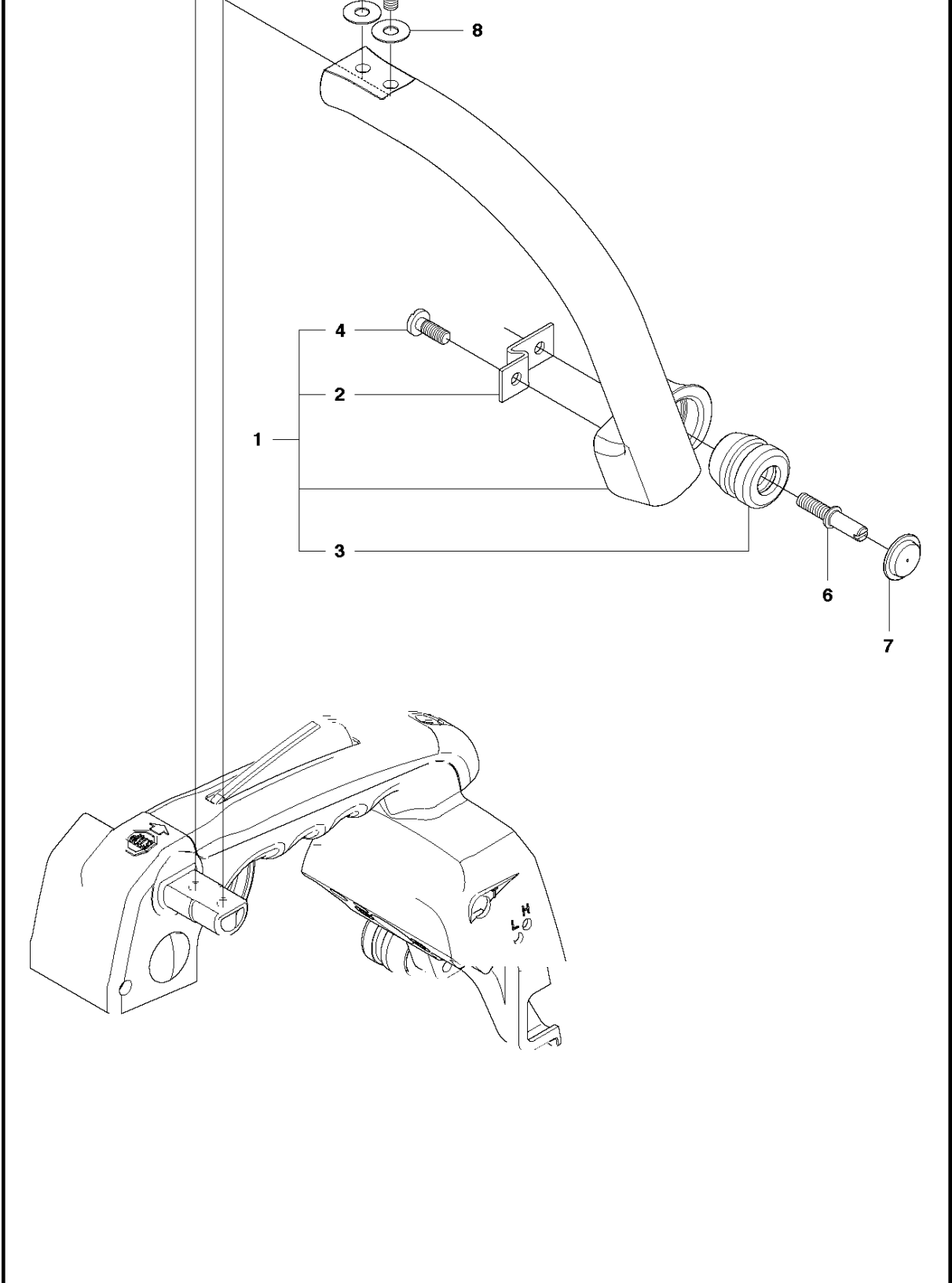


MUFFLER

T425, 20080100001-current, CHAIN SAW

Ref	Part No	Description	Remark	QTY KIT
1	505 04 17-01	MUFFLER		1
2	505 04 20-01	PLATE		1
3	505 04 18-01	GASKET		1
4	505 04 19-01	SCREW		2

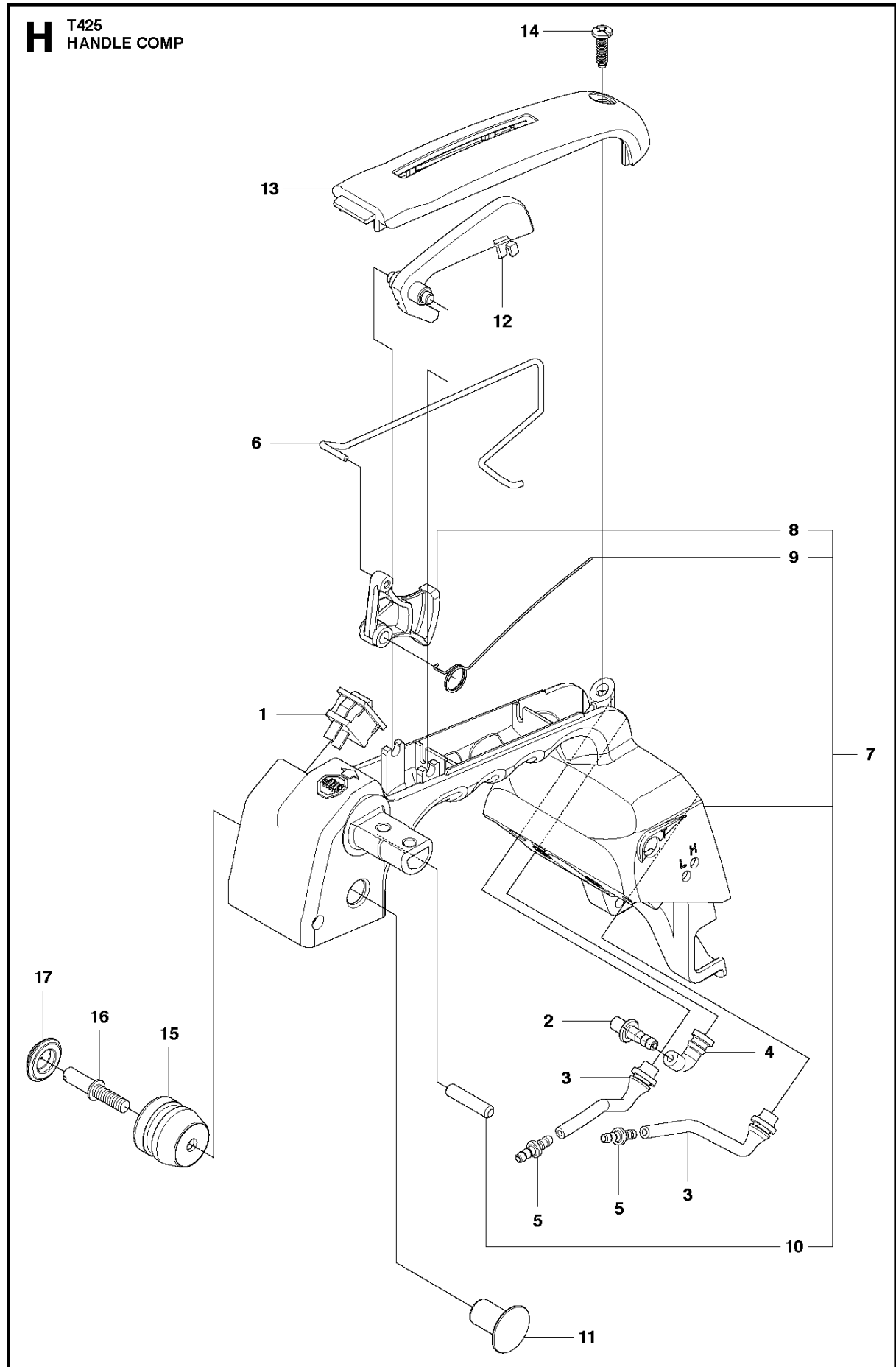
G T425
HANDLE ASSY



HANDLE

T425, 20080100001-current, CHAIN SAW

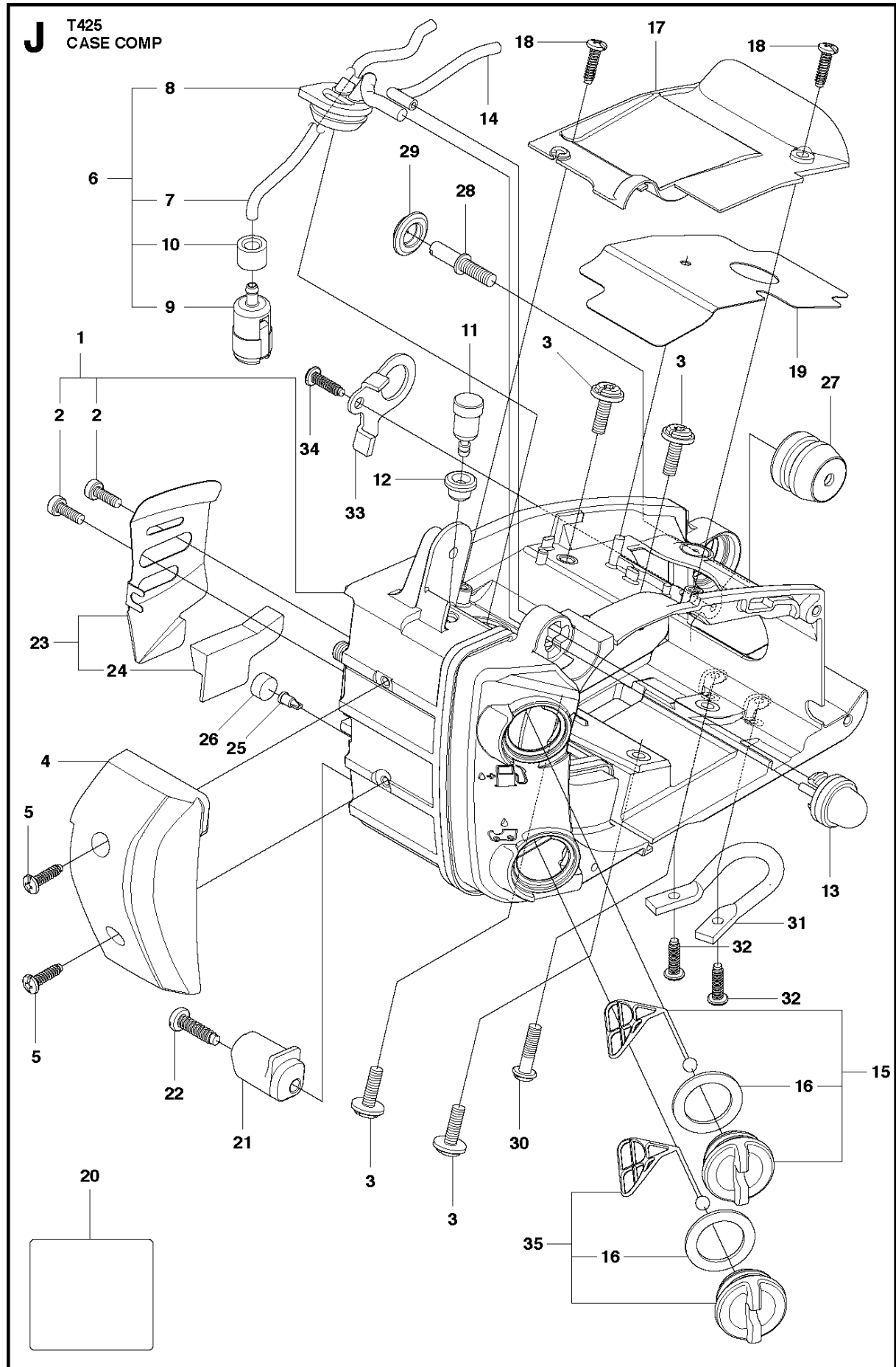
Ref	Part No	Description	Remark	QTY	KIT
1	505 04 73-01	HANDLE ASSY		1	
2	505 04 74-01	STOPPER		1	1
3	505 04 75-01	DAMPER		1	1
4	505 04 76-01	SCREW		1	1
5	505 04 76-01	SCREW		2	
6	505 04 95-01	BOLT		1	
7	505 04 96-01	HUB CAP		1	
8	586 06 04-01	WASHER		2	



HANDLE & CONTROLS

T425, 20080100001-current, CHAIN SAW

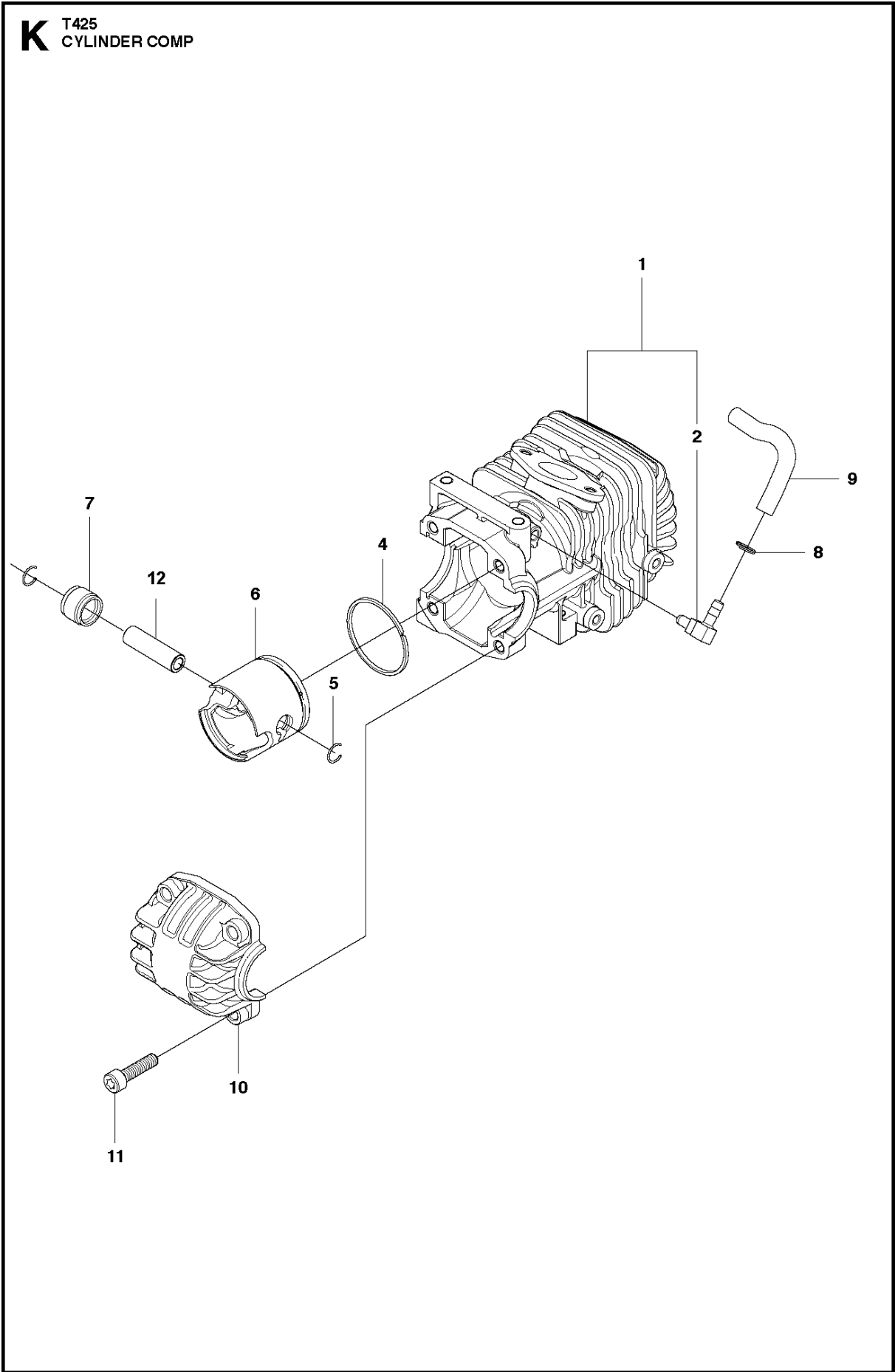
Ref	Part No	Description	Remark	QTY	KIT
1	586 24 69-01	STOP SWITCH		1	
2	505 04 85-01	ELBOW		1	
3	505 04 82-01	PIPE		2	
4	505 04 84-01	PIPE		1	
5	505 04 83-01	JOINT		2	
6	505 04 89-01	ROD		1	
7	505 04 78-01	HANDLE COMP		1	
8	505 04 79-01	LEVER		1	7
9	505 04 80-01	SPRING		1	7
10	505 04 81-01	SPRING PIN		1	7
11	505 04 86-01	STOPPER		1	
12	505 04 88-01	ARM		1	
13	505 04 90-01	COVER		1	
14	505 04 70-01	SCREW		1	
15	505 04 87-01	DAMPER		1	
16	505 04 95-01	BOLT		1	
17	505 04 96-01	HUB CAP		1	



HOUSING

T425, 20080100001-current, CHAIN SAW

Ref	Part No	Description	Remark	QTY	KIT
1	505 04 39-01	CASE COMP		1	
2	505 04 40-01	SCREW		2	1
3	586 95 05-01	BOLT		4	
4	505 04 57-01	COVER		1	
5	505 04 70-01	SCREW		2	
6	505 04 41-01	PIPE ASSY		1	
7	505 04 42-01	PIPE		1	6
8	505 04 43-01	GROMMET		1	6
9	505 04 44-01	FILTER		1	6
10	505 04 45-01	COLLAR		1	6
11	505 04 53-01	BREATHER		1	
12	505 04 54-01	GROMMET		1	
13	505 04 58-01	PUMP		1	
14	505 04 59-01	PIPE		1	
15	505 04 60-01	CAP ASSY		1	
16	505 04 61-01	GASKET		1	16, 35
17	505 04 69-01	COVER		1	
18	505 04 70-01	SCREW		2	
19	505 04 71-01	MAT		1	
20	587 12 09-01	DECAL		1	
21	505 04 66-01	CATCH		1	
22	505 04 67-01	SCREW		1	
23	505 04 64-01	PLATE		1	
24	505 04 65-01	SEAL		1	23
25	505 04 55-01	VALVE		1	
26	505 04 56-01	SEAL		1	
27	505 04 75-01	DAMPER		1	
28	505 04 95-01	BOLT		1	
29	505 04 96-01	HUB CAP		1	
30	505 04 72-01	SCREW		1	
31	505 05 92-01	EYELET		1	
32	505 04 70-01	SCREW		2	
33	505 15 21-01	HANGER		1	
34	505 05 23-01	SCREW		1	
35	505 04 62-01	CAP ASSY		1	

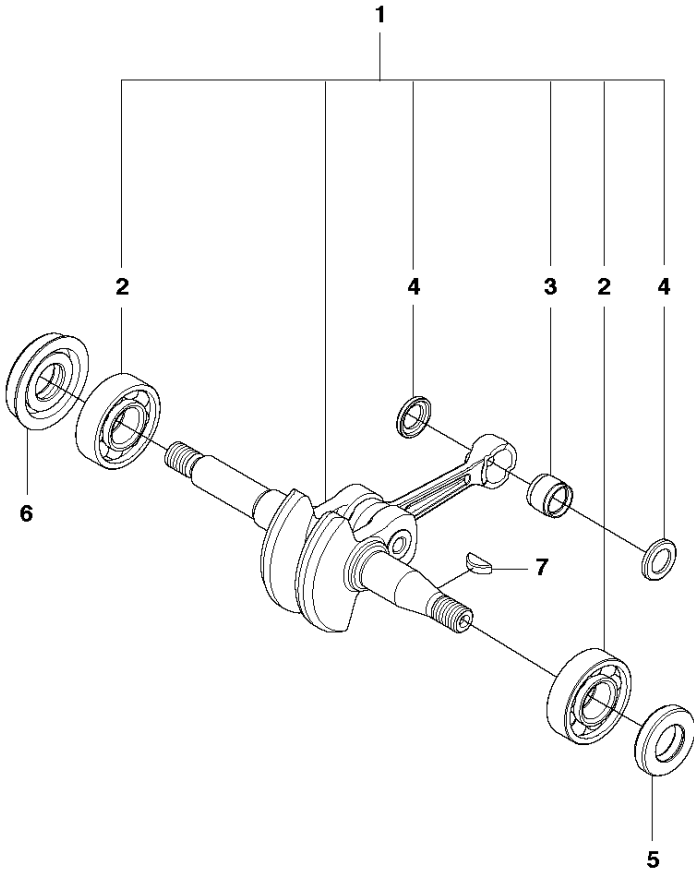


CYLINDER

T425, 20080100001-current, CHAIN SAW

Ref	Part No	Description	Remark	QTY	KIT
1	521 55 32-01	CYLINDER-COMP		1	
2	505 04 00-01	ELBOW		1	1
4	505 04 06-01	PISTON RING		1	1, 3
5	505 04 08-01	RING		2	1, 3
6	505 04 05-01	PISTON		1	1, 3
7	505 04 09-01	BEARING		1	1
8	505 04 02-01	CLIP		1	
9	505 04 01-01	PIPE		1	
10	505 04 03-01	CRANKCASE		1	
11	505 04 04-01	BOLT		4	
12	505 04 07-01	PIN		1	

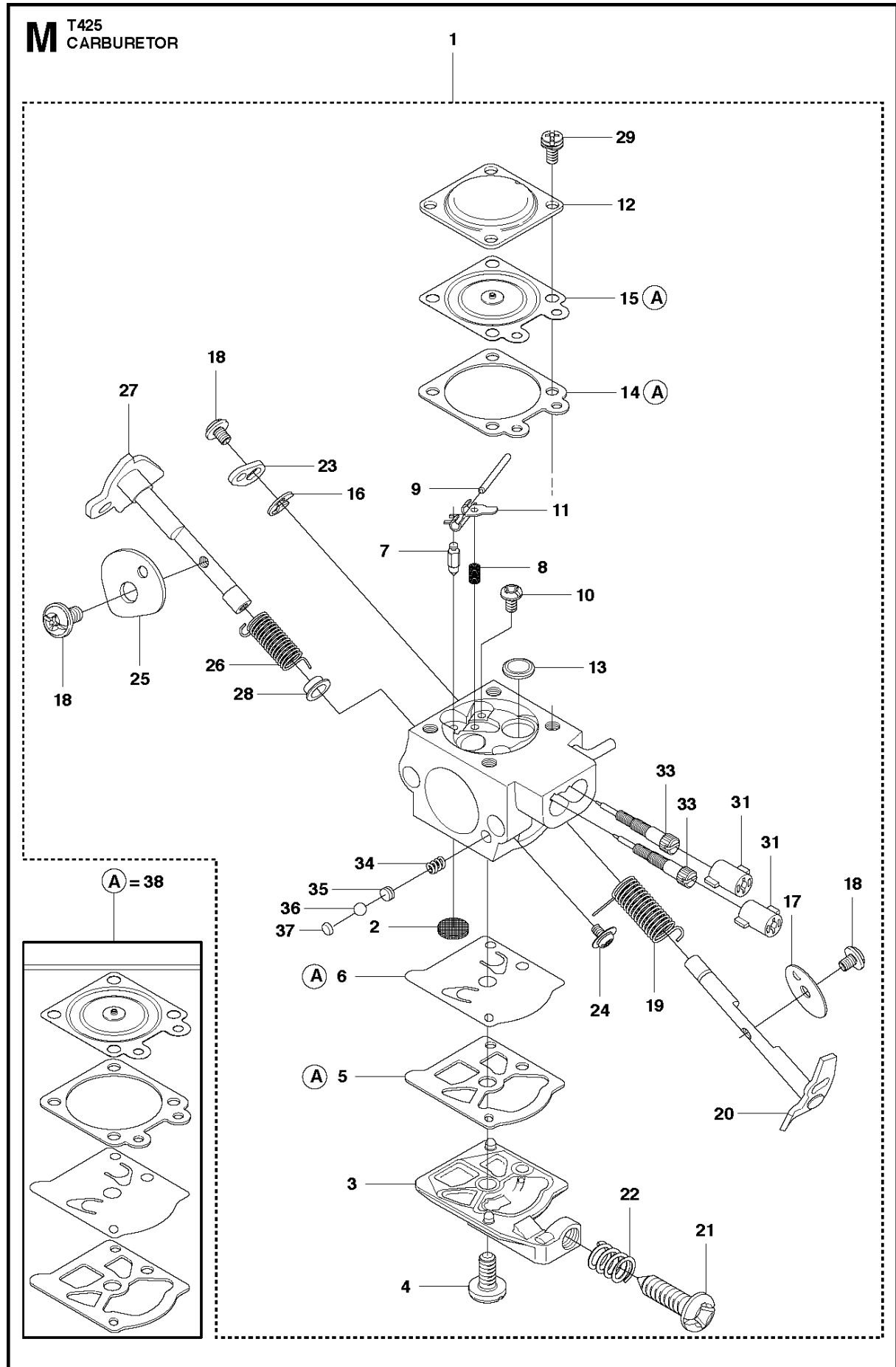
L T425
CRANK SHAFT



CRANKSHAFT

T425, 20080100001-current, CHAIN SAW

Ref	Part No	Description	Remark	QTY	KIT
1	525 61 61-01	CRANKSHAFT		1	
2	505 04 12-01	BEARING		2	1
3	505 04 09-01	BEARING		1	1
4	505 04 10-01	WASHER		2	1
5	505 04 13-01	SEAL		1	
6	505 04 14-01	SEAL		1	
7	544 26 00-01	KEY		1	

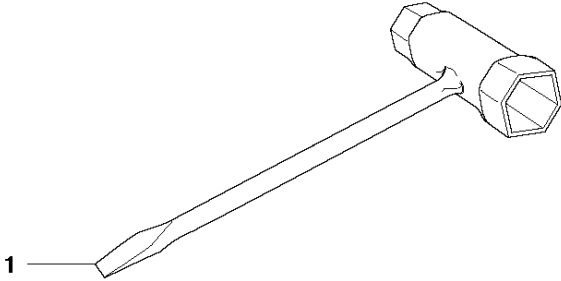
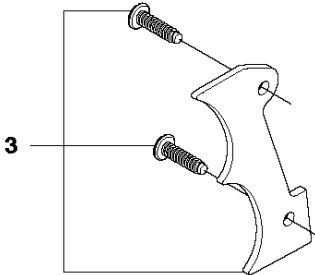
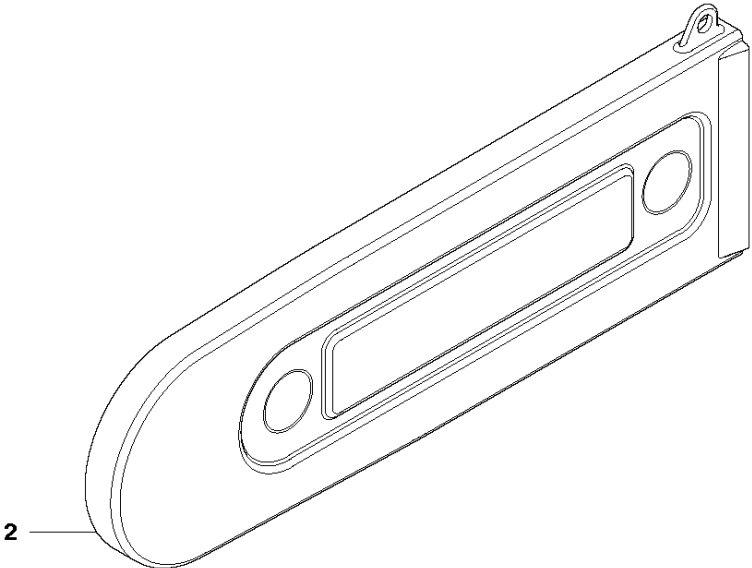


CARBURETOR DETAILS

T425, 20080100001-current, CHAIN SAW

Ref	Part No	Description	Remark	QTY	KIT
1	588 15 22-01	CARBURETTOR		1	
2	505 05 51-01	SCREEN		1	1
3	505 05 52-01	COVER		1	1
4	505 05 53-01	SCREW		1	1
5	505 05 54-01	GASKET		1	1, 37
6	505 05 55-01	DIAPHRAGM		1	1, 37
7	505 05 56-01	VALVE.INLET		1	1
8	505 05 57-01	SPRING		1	1
9	505 05 58-01	PEN		1	1
10	505 05 59-01	SCREW		1	1
11	505 05 60-01	LEVER		1	1
12	505 05 61-01	COVER		1	1
13	505 05 62-01	PLUG		1	1
14	505 05 63-01	GASKET		1	1, 37
15	522 64 84-01	DIAPHRAGM		1	1, 37
16	505 05 65-01	RING		1	1
17	505 05 66-01	VALVE		1	1
18	505 05 67-01	SCREW		3	1
19	505 05 68-01	SPRING		1	1
20	505 05 69-01	SHAFT		1	1
21	505 05 70-01	SCREW		1	1
22	505 05 71-01	SPRING		1	1
23	505 05 72-01	LEVER		1	1
24	505 05 73-01	SCREW		1	1
25	505 05 74-01	VALVE		1	1
26	505 05 75-01	SPRING		1	1
27	505 05 76-01	SHAFT		1	1
28	505 05 77-01	BUSHING		1	1
29	505 05 78-01	SCREW		4	1
31	505 13 43-01	HUB CAP		2	1
33	505 13 41-01	NEEDLE		2	1
34	505 05 79-01	SPRING		1	1
35	505 05 80-01	PISTON		1	1
36	506 12 30-01	LIGHTING KIT		1	1
38	522 64 02-01	GASKET		1	
37	525 55 50-01	PLUG		1	

N T425
ACCESSORIES



ACCESSORIES

T425, 20080100001-current, CHAIN SAW

Ref	Part No	Description	Remark	QTY KIT
1	505 05 94-01	COMBI TOOL		1
2	505 06 05-01	BAR COVER		1
3	505 06 02-01	SPIKE KIT		1