

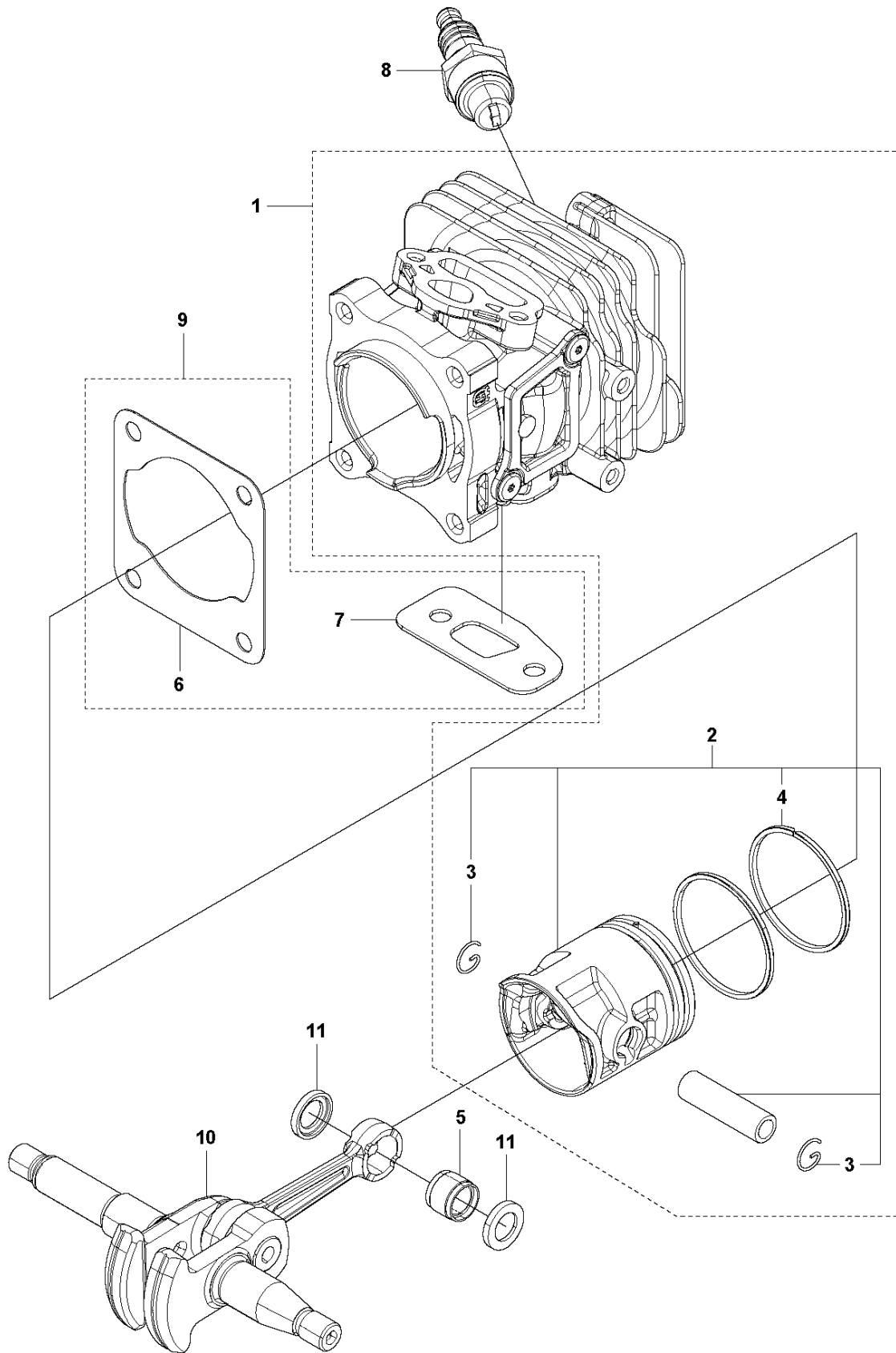


SPARE PARTS LIST

CHAIN SAWS

T525

A T525
CYLINDER, PISTON & CRANKSHAFT

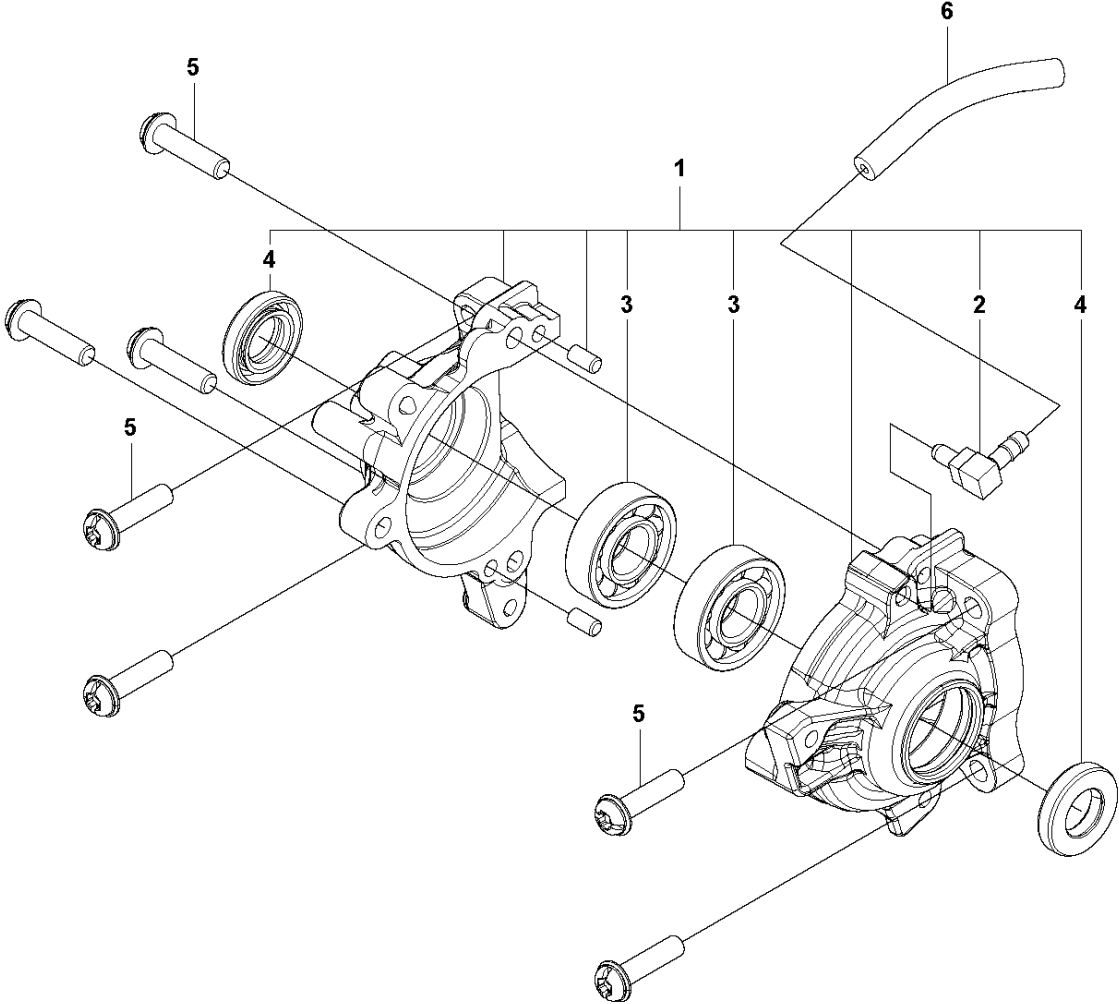


CYLINDER

T525

Ref	Part No	Description	Remark	QTY	KIT
1	501 01 58-01	CYLINDER ASSY		1	
2	501 01 59-02	PISTON ASSY		1	1
3	737 44 08-00	CIRCLIP		2	1, 2
4	590 64 85-01	PISTON RING		2	1, 2
5	505 04 09-01	BEARING		1	
6	587 86 80-01	GASKET		1	9
7	587 87 04-01	GASKET		1	9
8	503 23 54-01	SPARK PLUG		1	
9	590 53 17-01	GASKET KIT		1	
10	587 86 90-01	CRANKSHAFT		1	
11	505 04 10-01	WASHER		2	

B T525
CRANKCASE



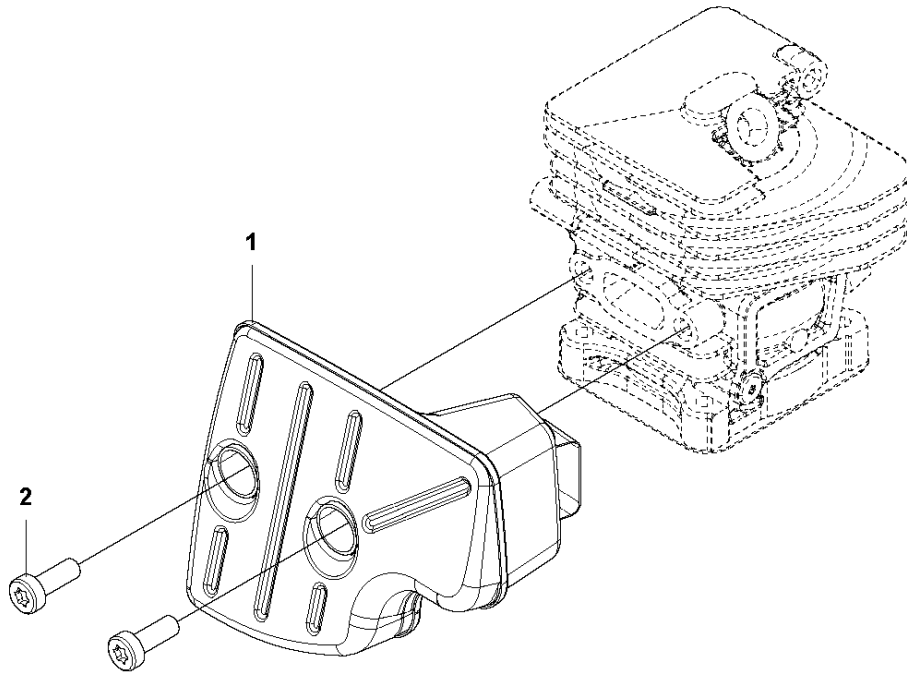
CRANKCASE

T525

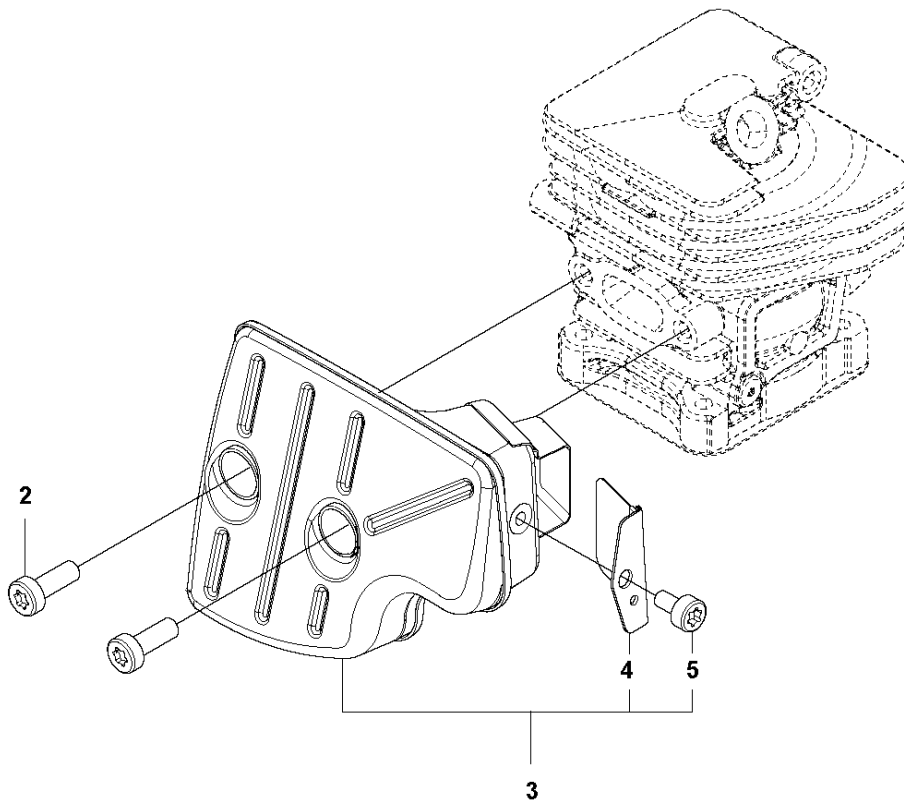
Ref	Part No	Description	Remark	QTY	KIT
1	590 15 33-01	CRANKCASE ASSY		1	
2	590 50 80-01	ELBOW		1	1
3	587 86 95-01	BALL BEARING		2	1
4	521 77 91-01	SEAL		2	1
5	590 26 67-01	SCREW		7	
6	587 86 87-01	IMPULSE HOSE		1	

C T525
MUFFLER

For EU market



For US/CAN, AUS/NZ market

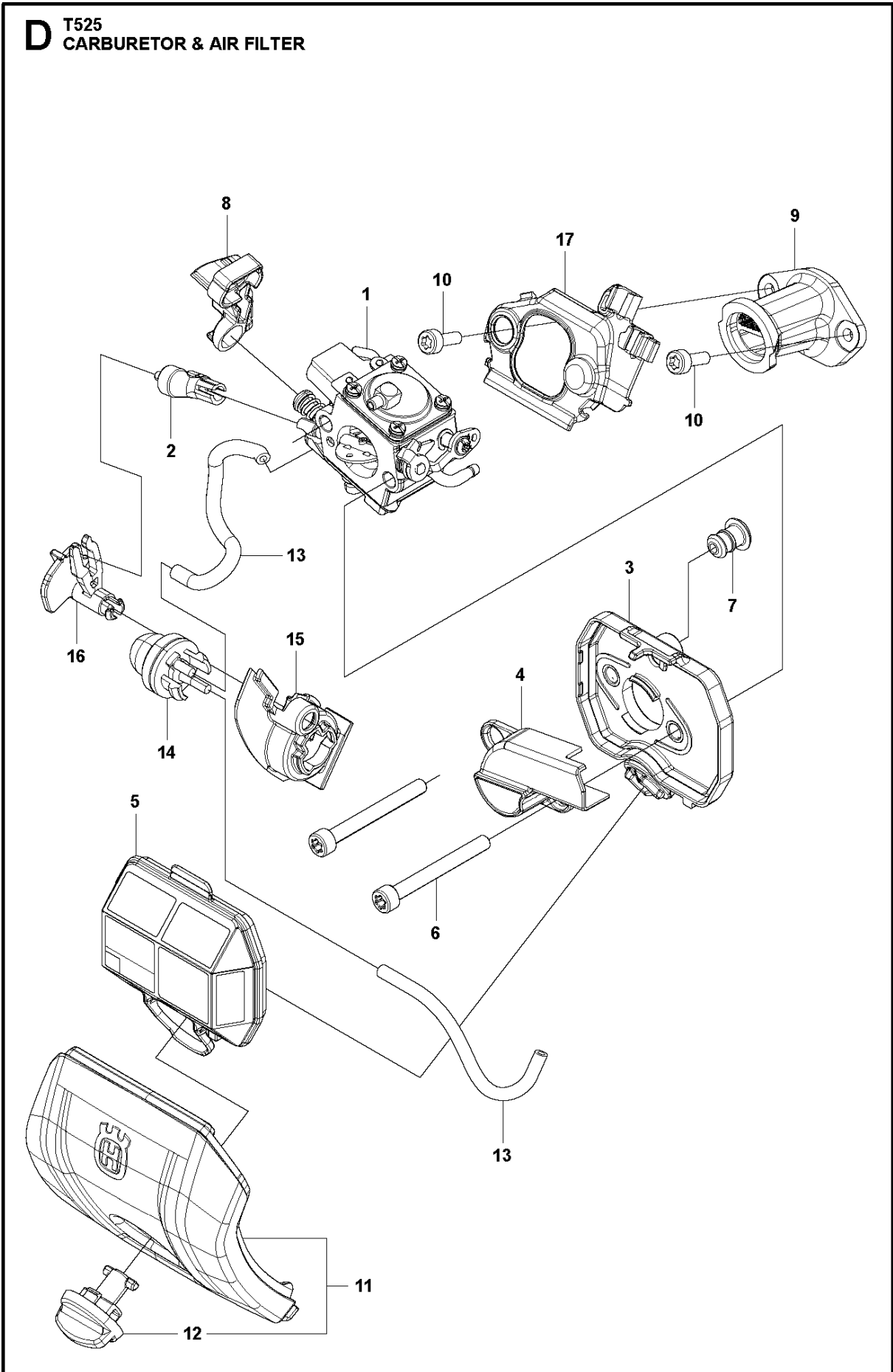


MUFFLER

T525

Ref	Part No	Description	Remark	QTY	KIT
1	587 86 96-01	MUFFLER	For EU market	1	
2	521 51 62-01	BOLT		2	
3	593 33 30-01	MUFFLER ASSY	For US/CAN market	1	
4	593 33 34-01	SPARK ARRESTER SCREEN	For US/CAN market	1	3
5	544 36 27-01	BOLT	For US/CAN market	1	3

D T525
CARBURETOR & AIR FILTER

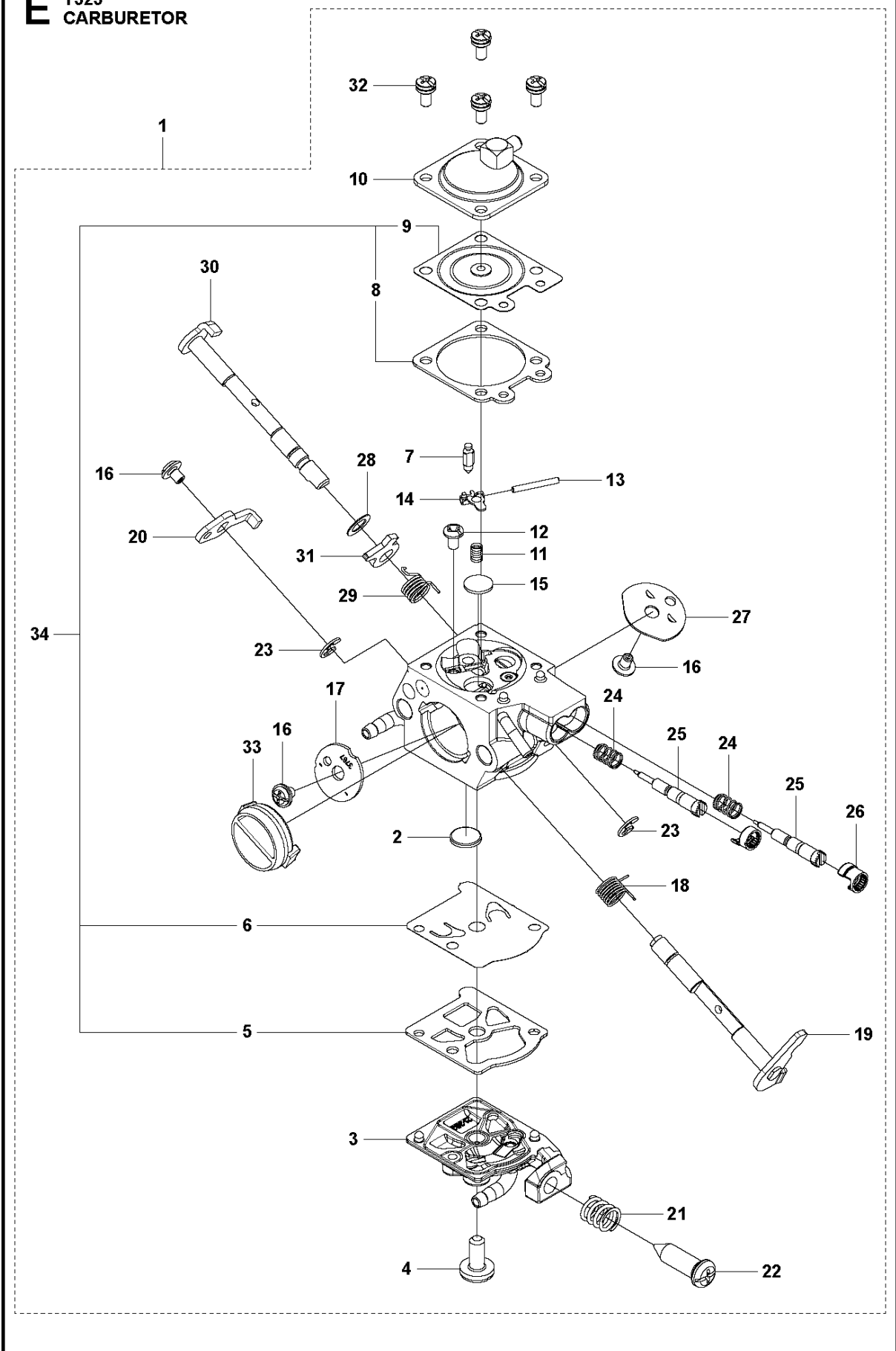


CARBURETOR & AIR FILTER

T525

Ref	Part No	Description	Remark	QTY	KIT
1	587 87 05-01	CARBURETTOR		1	
2	588 66 25-01	CHOKE LEVER		1	
3	587 87 07-01	AIR FILTER BOTTOM		1	
4	589 20 50-01	PLATE		1	
5	587 87 10-01	AIR FILTER HALF		1	
5	597 17 60-01	AIR FILTER HALF	Non-woven	1	
6	587 87 09-01	BOLT		2	
7	521 62 56-02	GROMMET		1	
8	587 87 14-01	GROMMET		1	
9	587 87 11-01	INLET PIPE		1	
10	521 51 57-01	BOLT		2	
11	587 87 96-01	AIR FILTER COVER		1	
12	585 69 74-02	KNOB		1	11
13	595 52 69-03	FUEL HOSE		2	
14	513 78 93-01	PUMP		1	
15	587 88 01-01	BRACKET		1	
16	587 87 06-01	CHOKE CONTROL		1	
17	587 87 99-01	COVER		1	

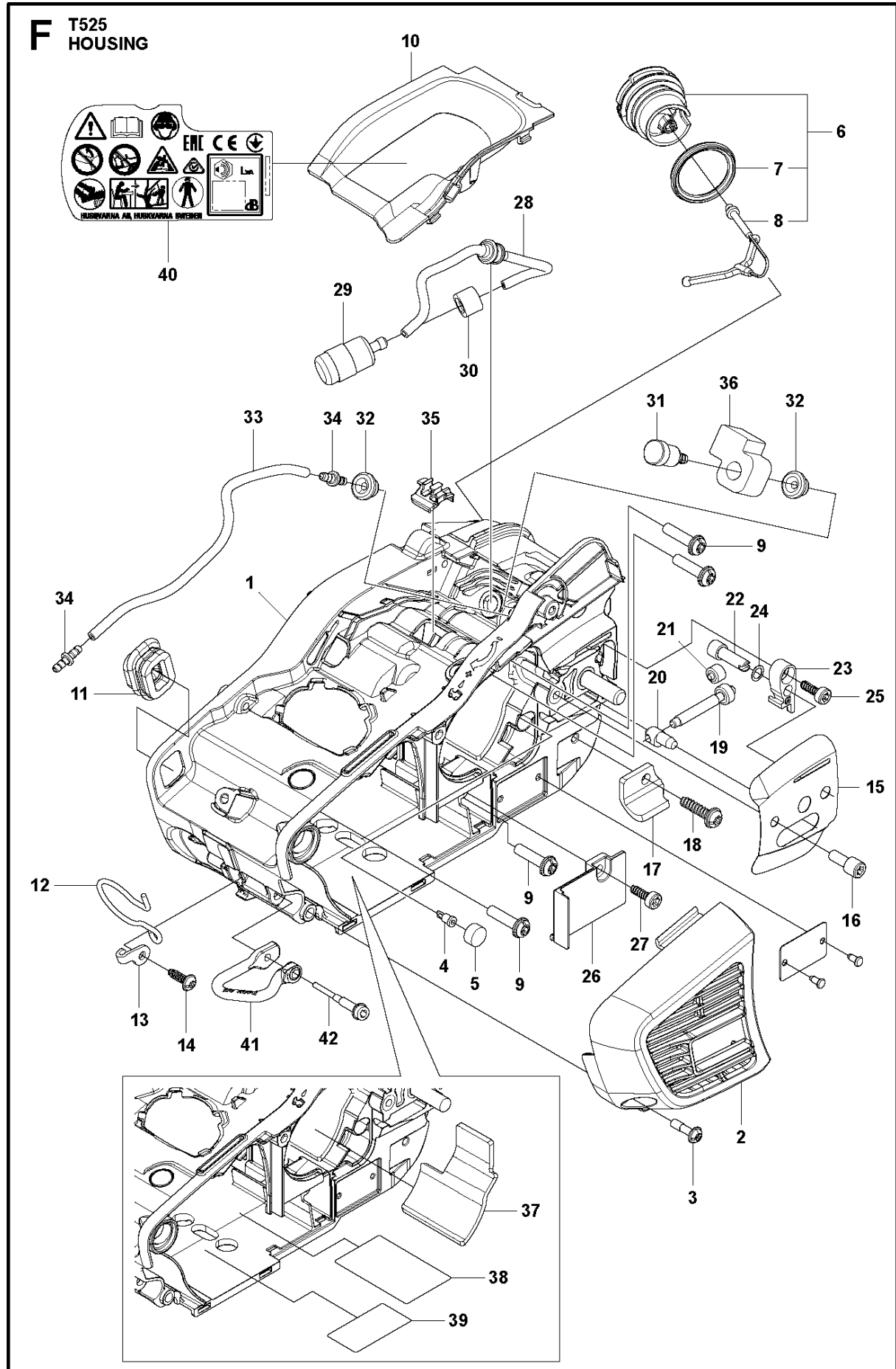
E T525
CARBURETOR



CARBURETOR

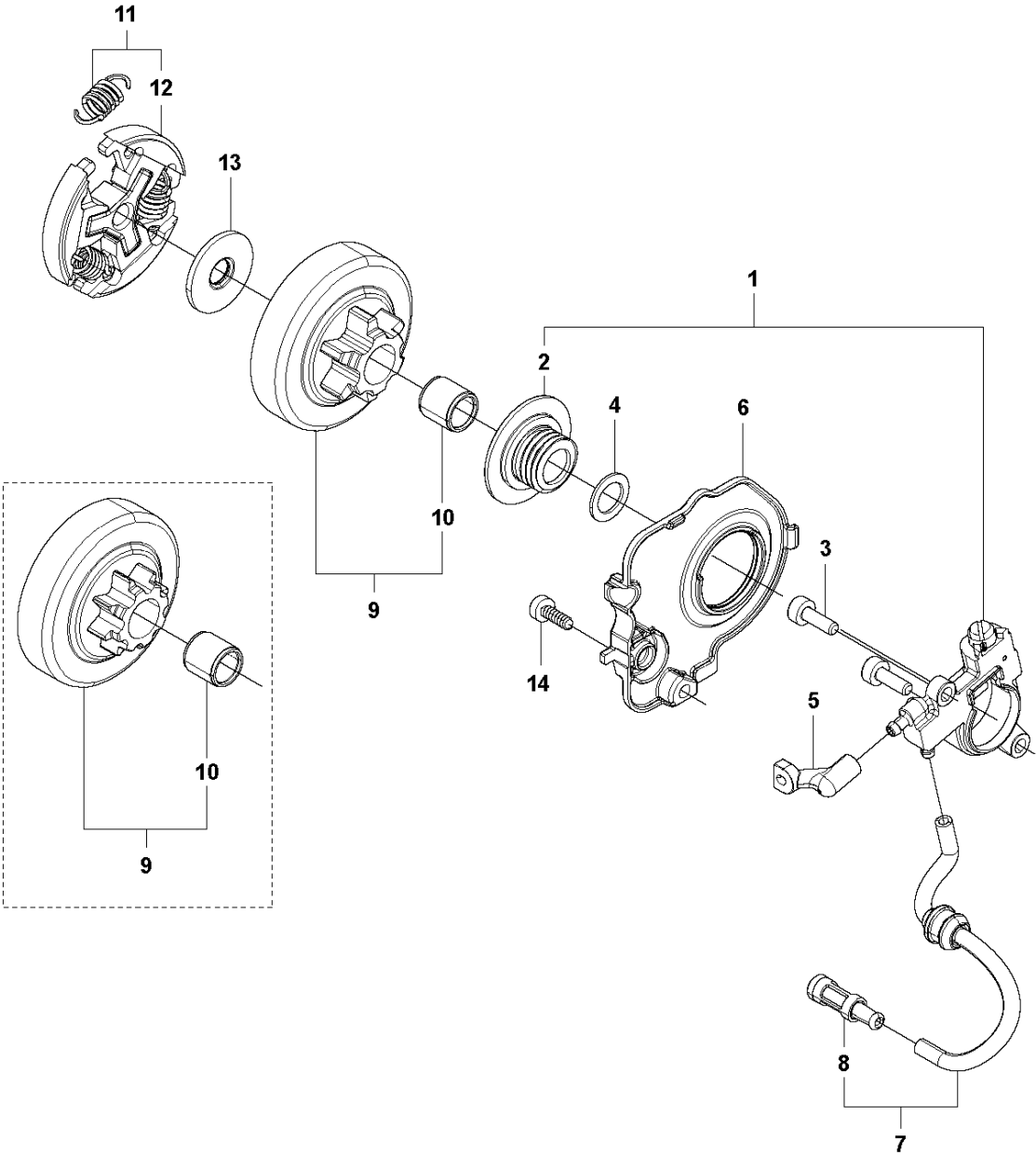
T525

Ref	Part No	Description	Remark	QTY	KIT
1	587 87 05-01	CARBURETTOR		1	
2	520 95 70-01	SCREEN		1	
3	590 21 91-01	COVER ASSY		1	
4	520 97 63-01	SCREW		1	
5	520 95 48-01	GASKET		1	1, 34
6	502 21 36-01	DIAPHRAGM PUMP		1	1, 34
7	521 08 54-01	VALVE.INLET		1	
8	516 97 21-01	GASKET		1	1, 34
9	505 30 68-01	DIAPHRAGM		1	1, 34
10	522 64 60-01	COVER		1	
11	511 96 76-01	SPRING		1	
12	520 97 73-01	SCREW		1	
13	520 97 74-01	PIN		1	
14	520 97 72-01	LEVER		1	
15	516 34 29-01	PLUG		1	
16	520 75 98-01	SCREW		3	
17	590 21 93-01	VALVE		1	
18	590 21 94-01	SPRING		1	
19	590 21 95-01	SHAFT ASSY		1	
20	590 21 97-01	LEVER		1	
21	513 59 32-01	SPRING		1	
22	577 81 57-01	SCREW		1	
23	505 05 65-01	RING		2	
24	578 91 28-01	SPRING		2	
25	579 19 09-01	NEEDLE HIGH SPEED		2	
26	578 91 30-01	CAP		2	
27	521 79 00-01	VALVE		1	
28	516 52 42-01	WASHER		1	
29	590 21 98-01	SPRING		1	
30	590 21 99-01	SHAFT ASSY		1	
31	521 58 11-01	LEVER		1	
32	520 97 88-01	SCREW ASSY		4	
33	590 23 73-01	RING		1	
34	585 59 74-01	GASKET KIT		1	



Ref	Part No	Description	Remark	QTY	KIT
1	587 87 15-01	HOUSING ASSY	s/n up to 20182699999	1	
1	587 87 15-03	HOUSING ASSY	s/n from 20182700001	1	
2	587 87 22-01	MUFFLER GUARD	For EU market	1	
2	593 72 67-01	MUFFLER GUARD	For US/CAN, AUS/NZ market	1	
3	590 26 64-02	SCREW		1	
4	516 96 19-01	BREATHER		1	
5	516 94 81-01	SEAL		1	
6	577 87 86-03	TANK CAP ASSY		2	
7	589 24 13-01	GASKET		1	6
8	503 57 89-01	HOLDER		1	6
9	590 26 65-01	SCREW		4	
10	587 87 26-01	COVER		1	
11	587 87 65-02	AIR INTAKE		1	
12	587 87 31-01	LOOP		1	
13	587 87 32-01	BRACKET		1	
14	576 98 40-02	SCREW		1	
15	587 87 33-01	CHAIN GUIDE PLATE		1	
16	521 79 99-01	BOLT		1	
17	513 55 87-01	CATCH		1	
18	521 51 81-01	SCREW		1	
19	501 90 43-01	WORM SCREW		1	
20	513 70 14-01	NUT		1	
21	501 89 94-01	GEAR		1	
22	501 90 35-01	WORM GEAR		1	
23	501 90 54-01	COVER		1	
24	590 36 10-01	WASHER		1	
25	576 98 40-02	SCREW		1	
26	587 87 40-01	COVER		1	
27	576 98 40-02	SCREW		1	
28	590 15 44-03	FUEL HOSE ASSY	For EU, AUS/NZ market	1	
28	590 15 44-02	FUEL HOSE ASSY	For US/CAN market	1	
29	575 96 07-01	FILTER		1	
30	505 04 45-01	COLLAR		1	
31	513 75 15-01	BREATHER		1	
32	514 20 14-01	GROMMET		2	
33	595 52 69-12	FUEL HOSE		1	
34	516 95 03-01	JOINT		2	
35	587 86 08-01	BRACKET		1	
36	590 22 39-01	SEALING		1	
37	590 15 36-01	INSULATING SHEET		1	1
38	590 15 37-01	INSULATING SHEET		1	1
39	590 15 38-01	INSULATING SHEET		1	1
40	587 88 13-01	DECAL		1	
41	576 38 13-01	LOOP		1	
42	522 84 79-01	SCREW ITXSCFM		1	

G T525
CLUTCH & OIL PUMP

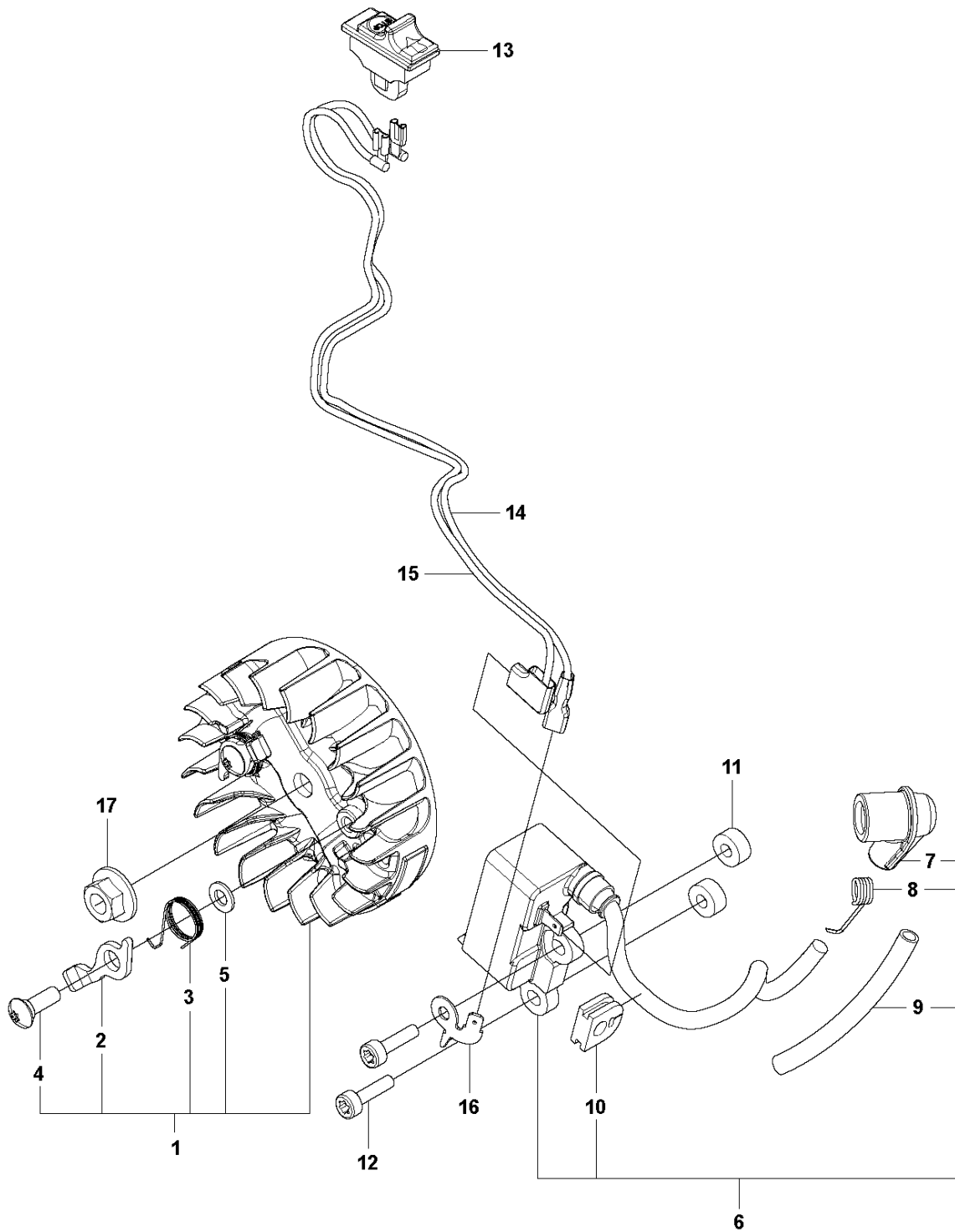


CLUTCH & OIL PUMP

T525

Ref	Part No	Description	Remark	QTY	KIT
1	587 87 34-01	OIL PUMP ASSY		1	
2	505 05 31-01	WORM		1	1
3	521 51 57-01	BOLT		2	
4	505 05 33-01	WASHER		1	
5	587 87 38-01	OIL PRESSURE HOSE		1	
6	587 87 39-01	COVER	s/n up to 20182699999	1	
6	587 87 39-02	COVER	s/n from 20182700001	1	
7	587 87 41-01	OIL HOSE		1	
8	521 54 56-01	FILTER		1	7
9	501 29 05-01	CLUTCH DRUM ASSY	3/8 6 tooth	1	
9	501 29 05-02	CLUTCH DRUM ASSY	1/4 8 tooth	1	
10	514 18 33-01	BEARING		1	9
11	511 04 45-01	CLUTCH		1	11
12	512 42 35-01	SPRING		3	
13	512 42 34-01	PLATE		1	
14	576 98 40-02	SCREW		1	

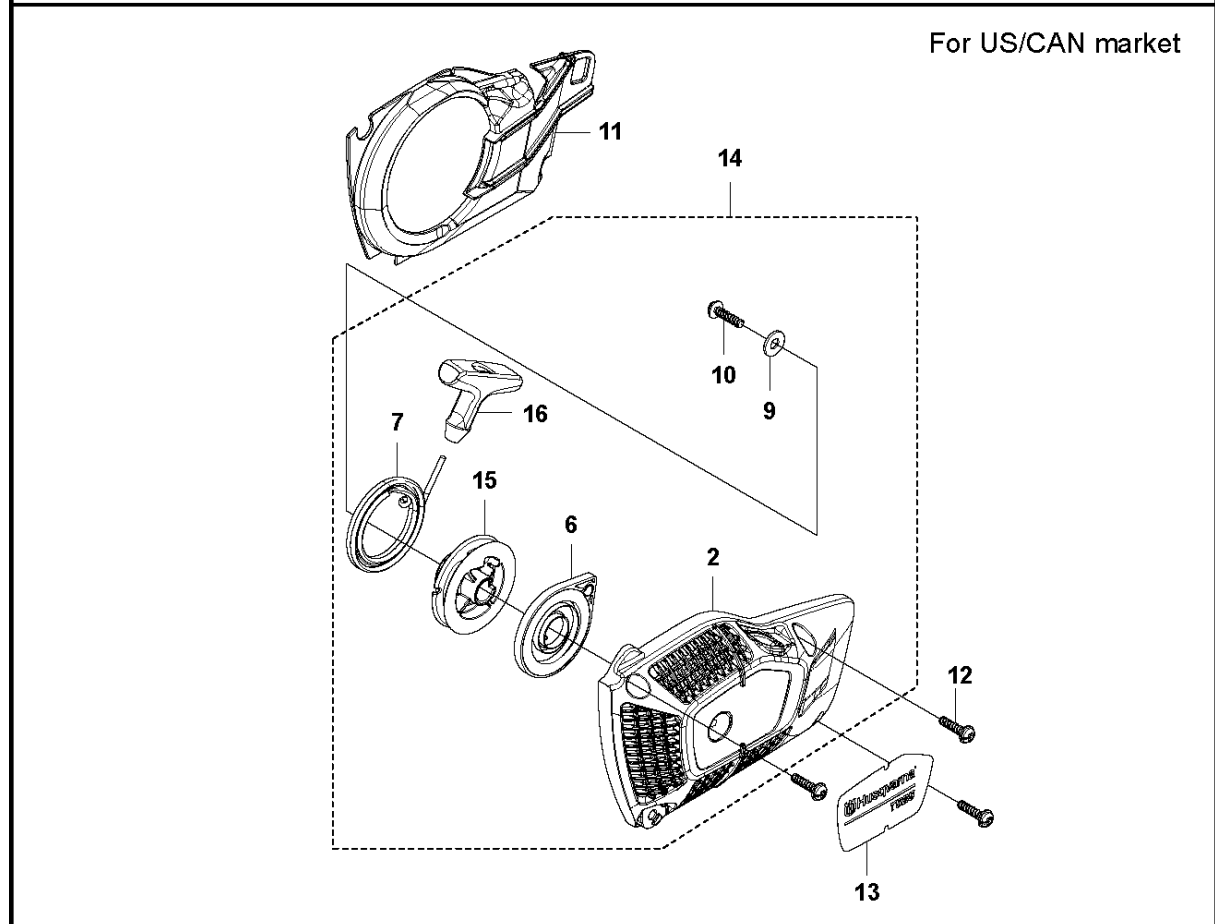
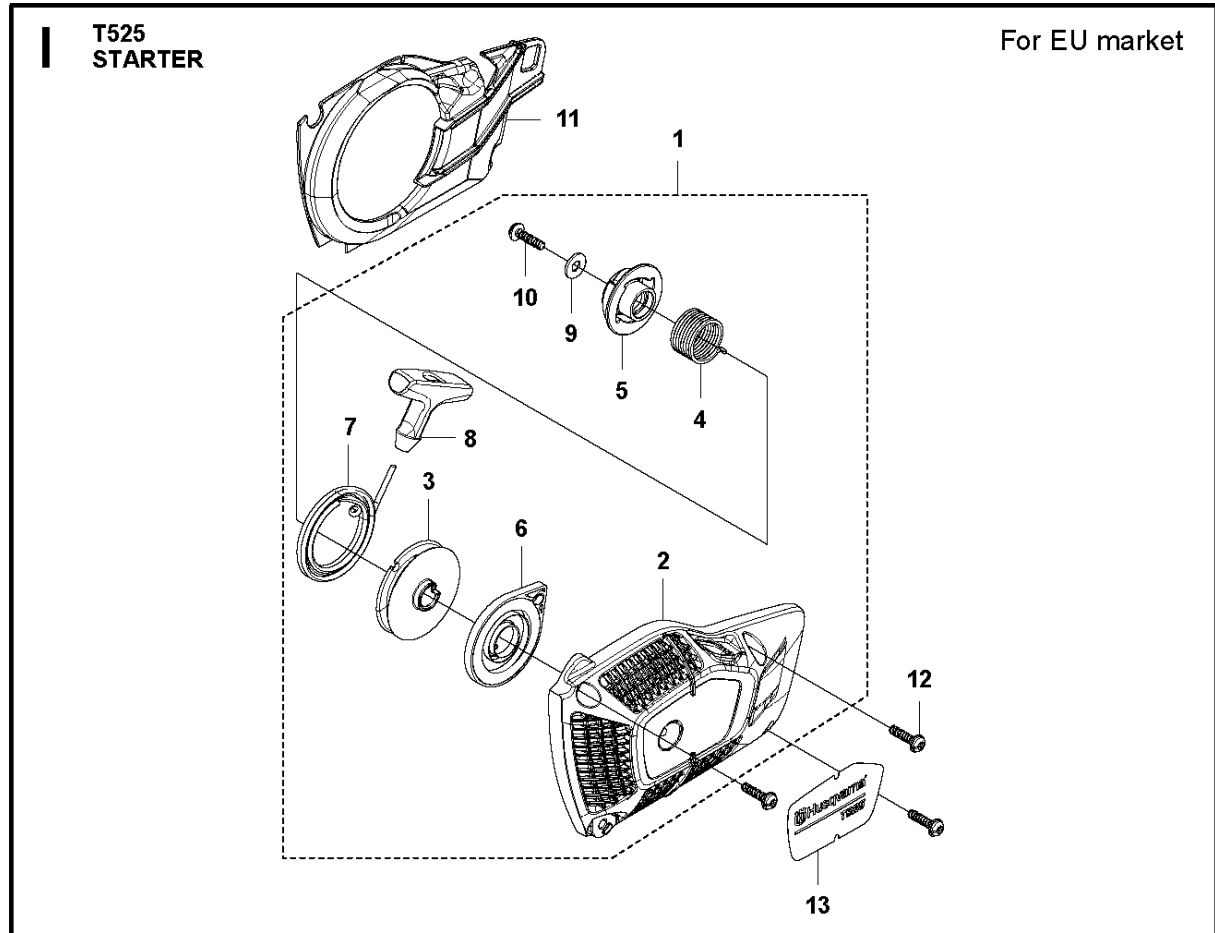
H T525
IGNITION SYSTEM



IGNITION SYSTEM

T525

Ref	Part No	Description	Remark	QTY	KIT
1	587 87 47-01	FLYWHEEL ASSY		1	
2	521 55 17-01	PAWL		2	1
3	521 55 18-01	SPRING		2	1
4	521 51 60-01	SCREW		2	1
5	506 61 44-01	WASHER		2	1
6	587 87 49-01	IGNITION MODULE ASSY		1	
7	512 44 40-01	HUB CAP		1	6
8	513 24 33-01	SPRING		1	6
9	590 15 45-01	TUBE		1	6
10	515 41 53-01	GROMMET		1	6
11	505 04 34-01	SPACER		2	
12	506 74 57-01	BOLT		2	
13	522 79 82-01	STOP SWITCH		1	
14	587 87 54-01	SHORT CIRCUIT CABLE		1	
15	587 87 53-01	SHORT CIRCUIT CABLE		1	
16	588 66 27-01	TERMINAL		1	
17	504 11 80-01	NUT		1	

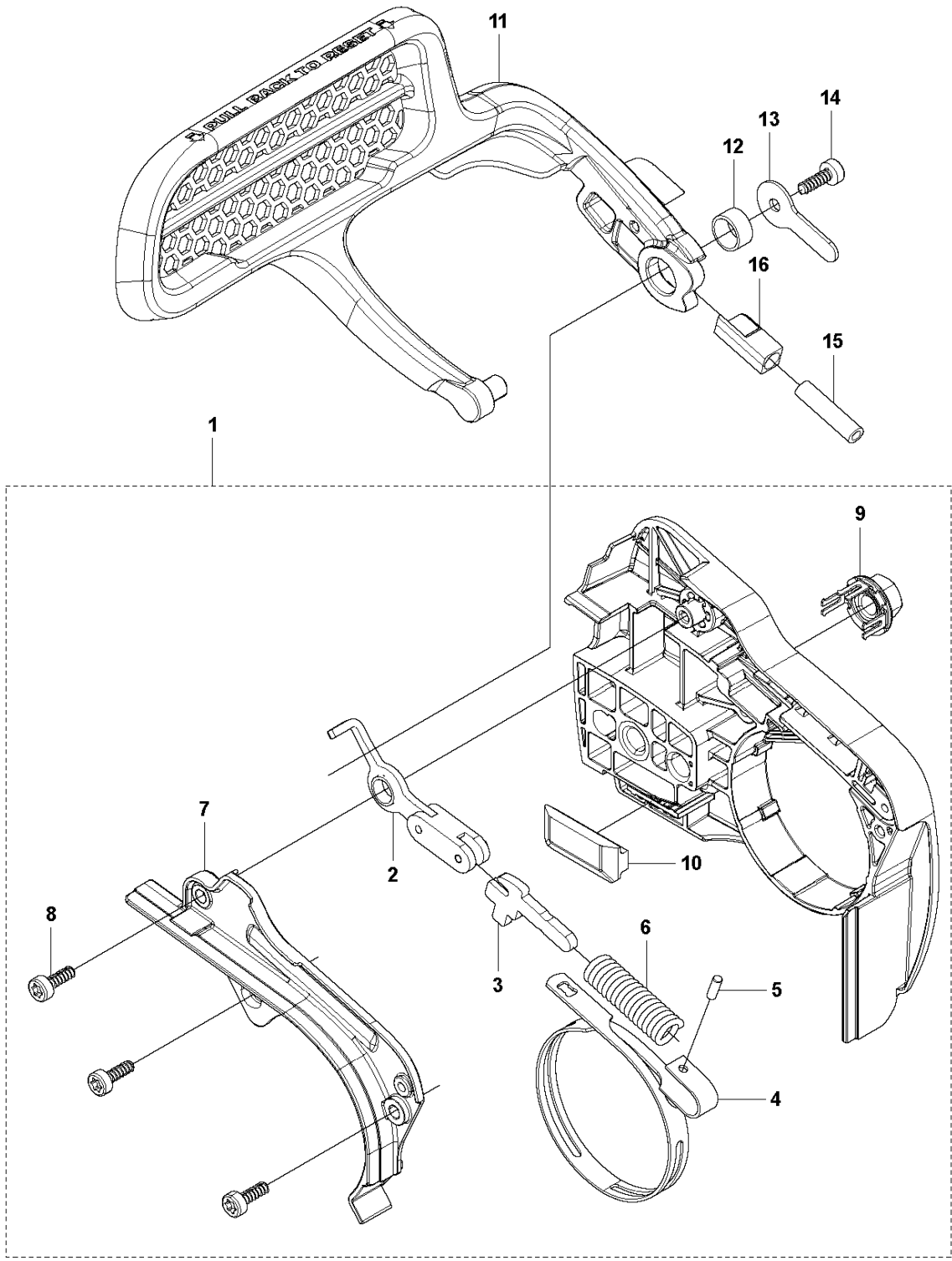


STARTER

T525

Ref	Part No	Description	Remark	QTY	KIT
1	587 87 55-01	STARTER ASSY	For EU market	1	
2	587 87 56-01	STARTER HOUSING		1	1,14
3	587 87 58-01	STARTER PULLEY	For EU market	1	1
4	587 87 59-01	SPRING		1	1
5	587 87 60-01	RATCHET		1	1
6	513 73 46-01	SPRING		1	1,14
7	513 41 71-01	ROPE		1	1,14
8	575 48 95-01	STARTER HANDLE	For EU market	1	1
9	505 05 44-01	WASHER		1	1,14
10	521 51 80-01	SCREW		1	1,14
11	587 87 64-01	COOLING AIR CONDUCTOR		1	
12	521 51 81-01	SCREW		4	
13	593 78 17-01	DECAL		1	
14	596 91 40-01	STARTER ASSY	For US/CAN, AUS/NZ market	1	
15	593 58 71-01	STARTER PULLEY	For US/CAN, AUS/NZ market	1	14
16	593 58 73-02	STARTER HANDLE	For US/CAN, AUS/NZ market	1	14

J T525
CHAIN BRAKE & CLUTCH COVER

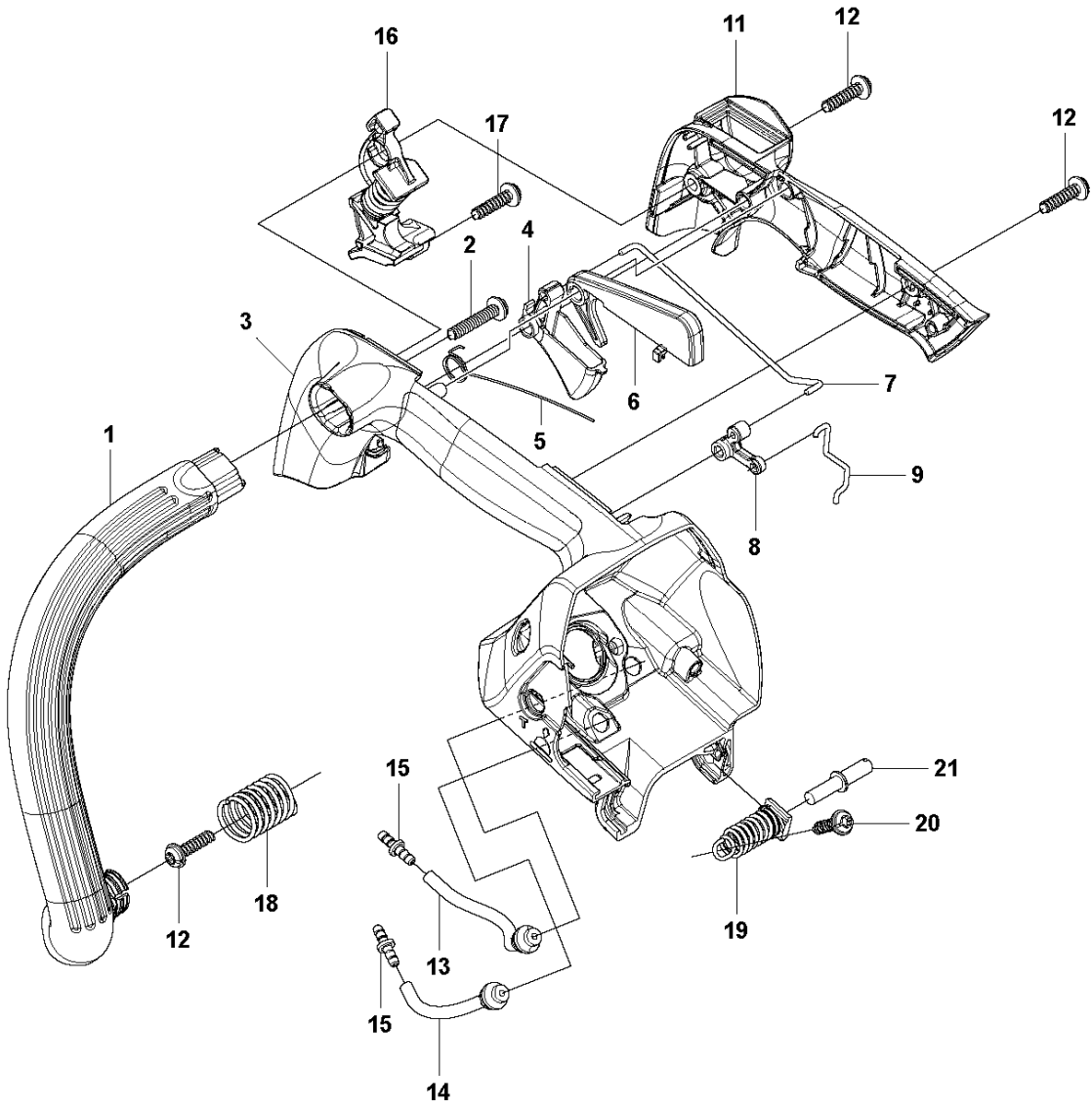


CHAIN BRAKE & CLUTCH COVER

T525

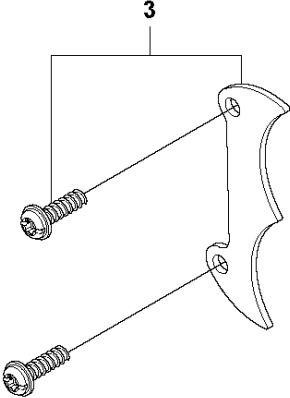
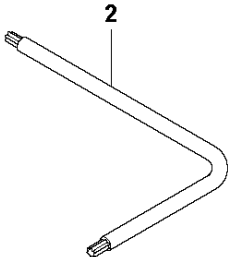
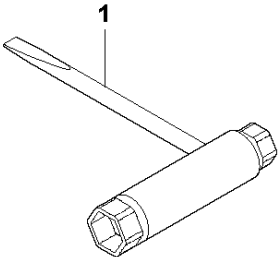
Ref	Part No	Description	Remark	QTY	KIT
1	587 87 66-01	CHAIN BRAKE ASSY		1	
2	587 87 69-01	KNEE JOINT ASSY		1	1
3	516 82 56-01	ARM		1	1
4	587 87 73-01	BRAKE BAND		1	1
5	521 07 54-01	ROLLER		1	1
6	589 56 99-01	BRAKE SPRING		1	1
7	587 87 75-01	COVER LID		1	1
8	576 98 40-02	SCREW		3	1
9	505 19 73-01	NUT		1	1
10	513 61 90-01	GUIDE		1	1
11	587 87 27-01	HAND GUARD		1	
12	587 87 29-02	SPACER		1	
13	587 87 30-01	WASHER		1	
14	576 98 40-02	SCREW		1	
15	576 98 45-01	SPRING		1	
16	576 98 46-01	CATCH		1	

K T525
HANDLE



Ref	Part No	Description	Remark	QTY KIT
1	587 87 78-01	FRONT HANDLE		1
2	512 84 81-01	SCREW		1
3	587 87 81-01	HANDLE	For EU market	1
3	587 87 81-03	HANDLE	For US/CAN, AUS/NZ market	1
4	587 87 83-01	THROTTLE CONTROL		1
5	505 04 80-01	SPRING		1
6	587 87 86-01	THROTTLE LOCKOUT		1
7	587 87 87-01	THROTTLE ROD		1
8	587 87 88-01	LINK ARM		1
9	587 87 90-01	LINK ROD		1
11	587 87 93-01	COVER	For EU market	1
11	587 87 93-02	COVER	For US/CAN, AUS/NZ market	1
12	521 51 81-01	SCREW		3
13	589 20 49-01	GROMMET	For EU, AUS/NZ market	1
13	593 18 69-01	GROMMET	For US/CAN market	1
14	589 20 49-02	GROMMET		1
15	516 95 03-01	JOINT		2
16	501 90 62-03	ANTIVIBRATION ELEMENT		1
17	521 51 80-01	SCREW		1
18	587 88 06-01	SPRING		1
19	588 98 92-01	ANTIVIBRATION ELEMENT		1
20	521 51 79-01	SCREW		1
21	513 72 78-01	BOLT		1

L T525
ACCESSORIES



ACCESSORIES

T525

Ref	Part No	Description	Remark	QTY KIT
1	587 24 35-01	WRENCH		1
2	575 88 07-01	WRENCH		1
3	590 48 78-01	SPIKE		1