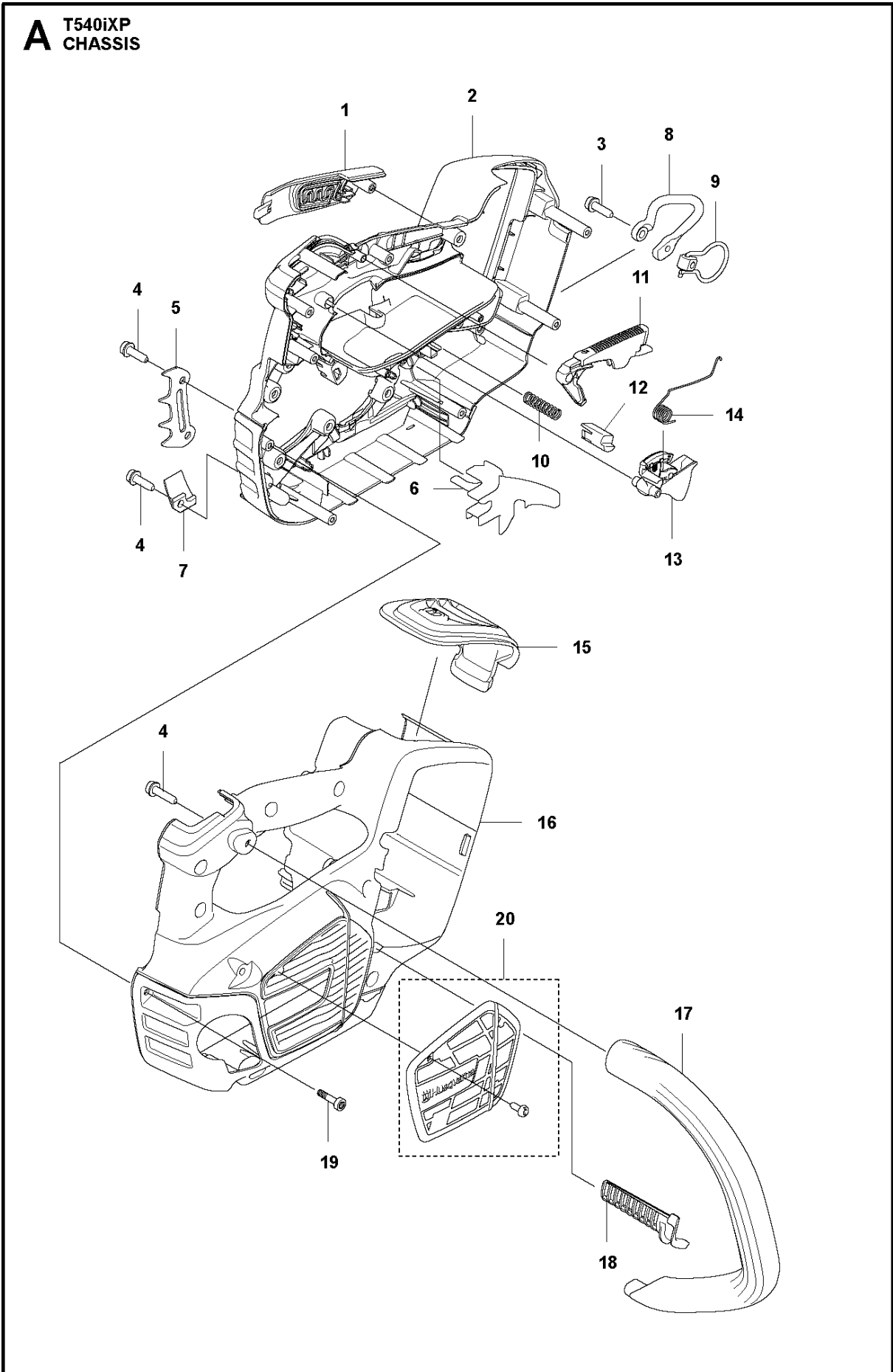




SPARE PARTS LIST

CHAIN SAWS

T540iXP, 2019-12

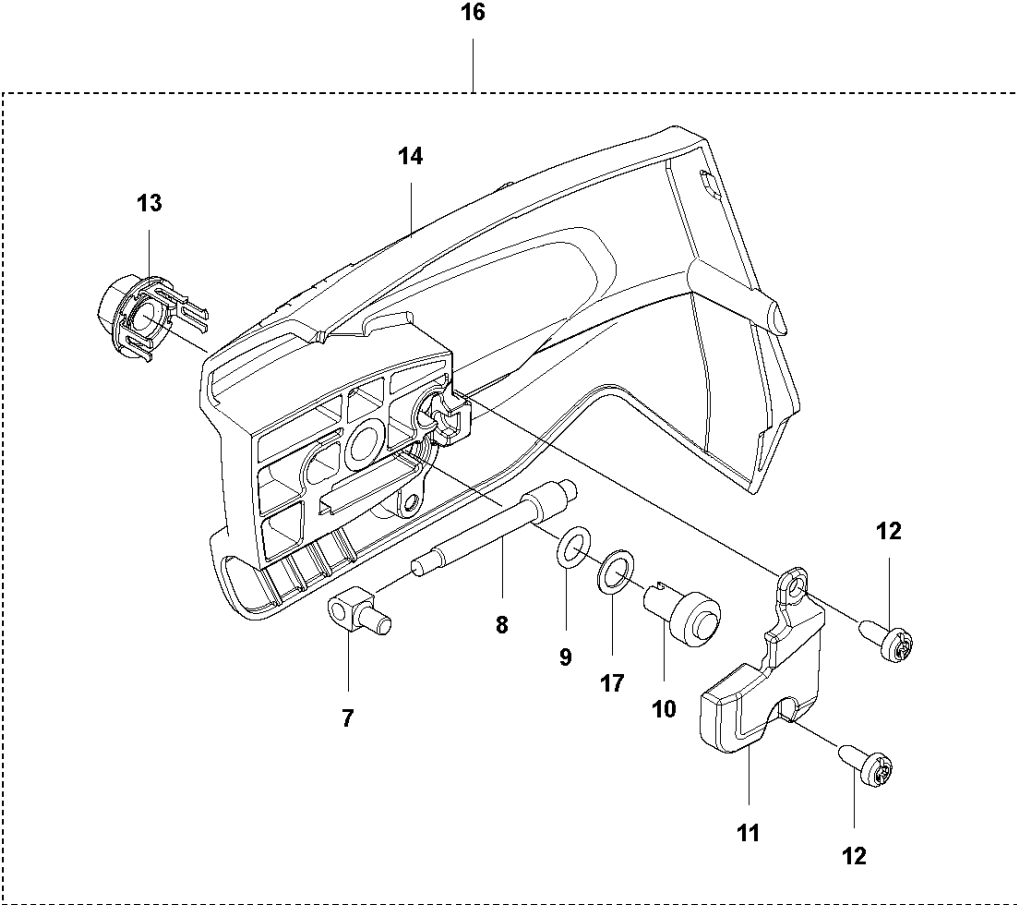
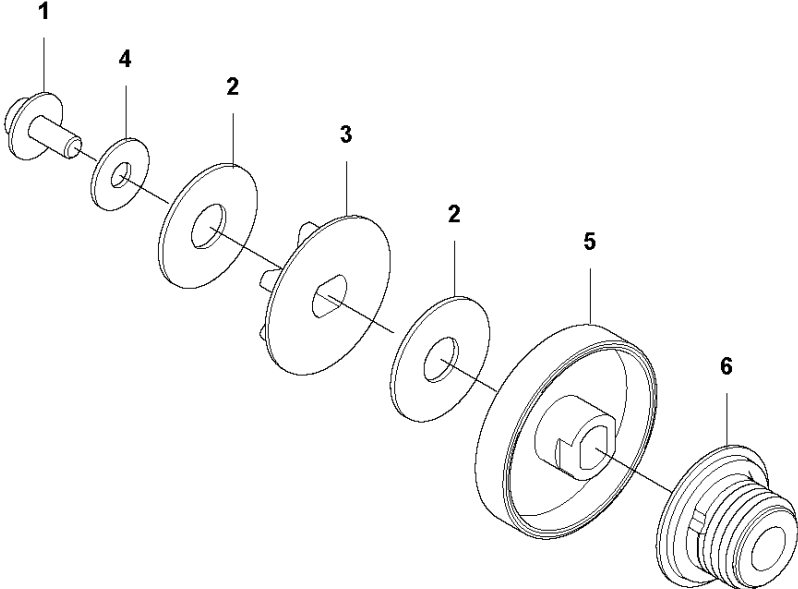


CHASSIS

T540iXP, 2019-12

Ref	Part No	Description	Remark	QTY KIT
1	593 04 91-01	HANDLE INSERT		1
2	593 04 83-01	CHASSIS	Clutch side, TH	1
3	522 84 79-01	SCREW ITXSCFM		1
4	573 92 58-01	SCREW ITXSCFT		2
5	577 28 66-01	SPIKE	Inner	1
6	593 84 95-01	AIR CONDUCTOR	Rear	1
7	505 28 85-01	CHAIN CATCHER		1
8	576 38 13-01	LOOP		1
9	580 86 00-02	LOOP		1
10	585 48 00-01	SPRING		1
11	589 27 39-01	THROTTLE LOCKOUT		1
12	577 99 66-01	PUSH BUTTON		1
13	595 30 70-01	THROTTLE CONTROL ASSY		1
14	593 06 42-01	SPRING		1
15	593 04 90-01	COVER	Air Outlet	1
16	593 04 84-01	CHASSIS	Flywheel side	1
17	593 04 85-01	FRONT HANDLE		1
18	594 03 57-01	AIR INTAKE		1
19	580 29 29-01	SCREW ITXSCT		10
20	597 68 27-01	COVER KIT		1

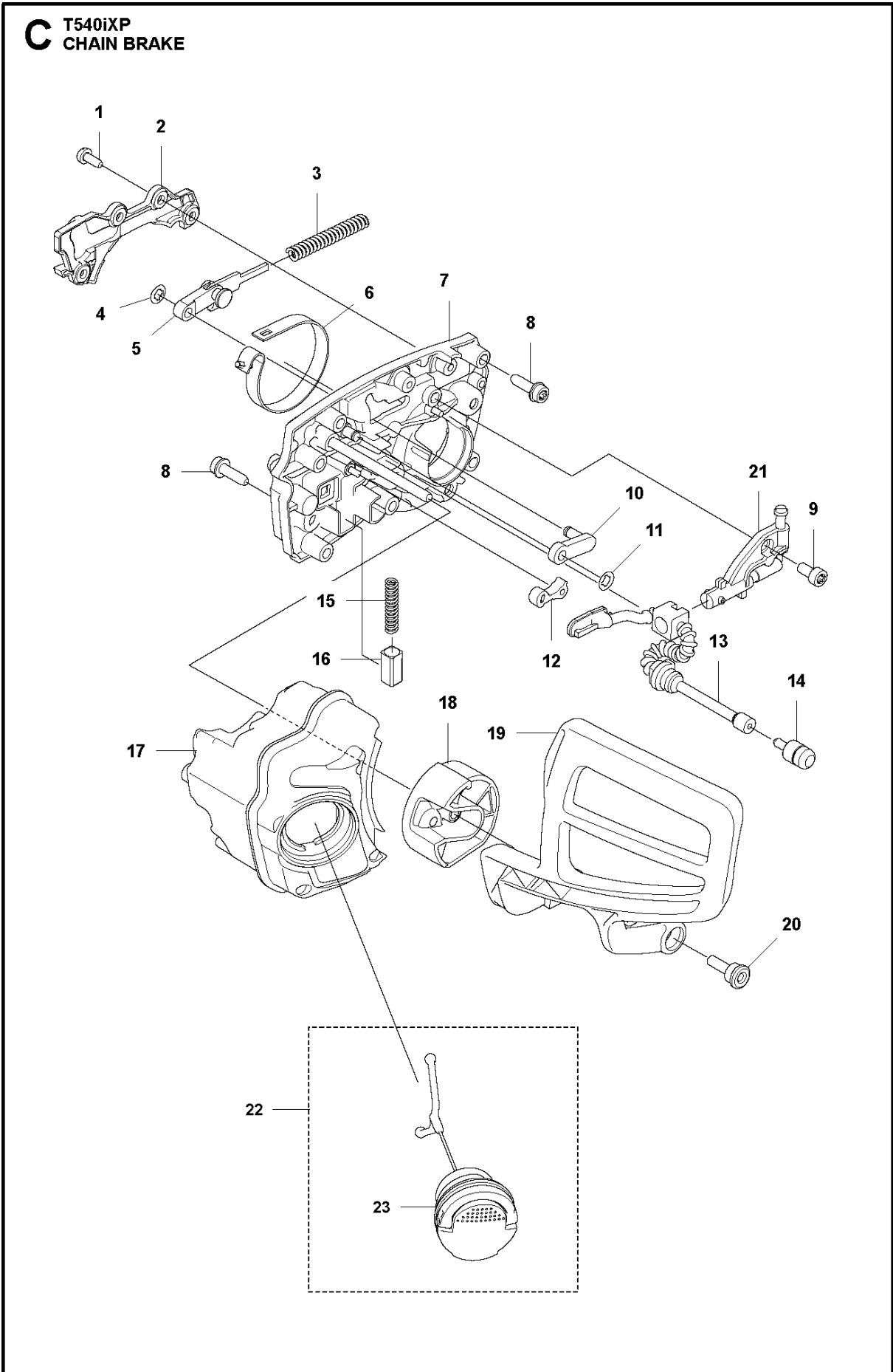
B T540iXP
CLUTCH



CLUTCH

T540iXP, 2019-12

Ref	Part No	Description	Remark	QTY KIT
1	525 75 51-05	SCREW ITXSCFM		1
2	597 67 01-01	DISC SPRING		2
3	594 03 52-01	SPUR SPROCKET	.325"mini - 7T	1
4	503 23 00-35	WASHER		1
5	593 68 44-01	BRAKE DRUM		1
6	593 78 48-01	PUMP PINION		1
7	588 85 03-01	PIN		1
8	537 39 70-01	WORM SCREW		1
9	740 48 07-02	O-RING		2
10	537 07 94-02	WORM WHEEL		1
11	505 21 45-01	COVER	Chain Tensioner	1
12	526 22 18-01	SCREW CITXPANT		2
13	505 19 73-01	NUT	Retainer Assy	1
14	593 05 17-01	CLUTCH COVER		1
16	593 05 20-01	CLUTCH COVER ASSY		1
17	503 23 00-63	WASHER		1

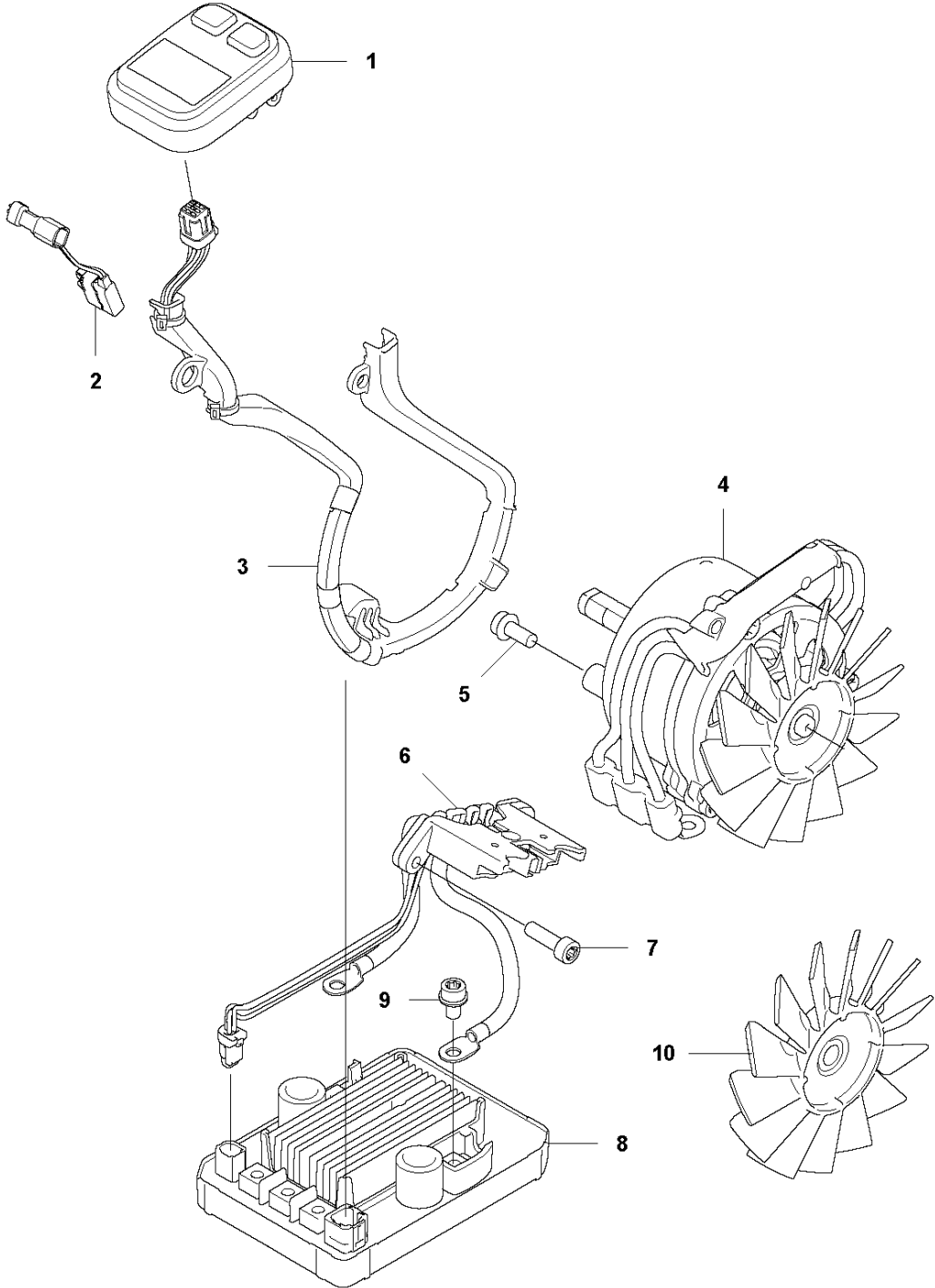


CHAIN BRAKE

T540iXP, 2019-12

Ref	Part No	Description	Remark	QTY KIT
1	526 22 18-01	SCREW CITXPANT		4
2	593 64 16-01	COVER	Brake	1
3	595 02 61-01	BRAKE SPRING		1
4	596 30 24-01	WASHER	Locking	1
5	593 72 21-01	KNEE JOINT ASSY		1
6	585 59 03-01	BRAKE BAND		1
7	593 19 17-01	CHASSIS		1
8	573 92 58-01	SCREW ITXSCFT		7
9	725 53 25-55	SCREW IHSCM		1
10	593 72 23-01	DRIVE LINK	Knee Joint	1
11	596 30 24-01	WASHER	Locking	2
12	505 20 12-01	CATCH		1
13	592 92 08-01	OIL HOSE		1
14	504 71 00-03	OIL PLUMMET		1
15	503 43 65-01	POSITION SPRING		1
16	537 21 07-01	SPRING GUIDE		1
17	593 01 51-01	OIL TANK		1
18	593 19 18-01	HAND GUARD		1
19	593 19 19-01	HAND GUARD		1
20	580 28 42-01	SCREW		1
21	544 18 01-03	OIL PUMP ASSY		1
22	522 62 00-03	TANK CAP ASSY		1
23	589 24 11-01	GASKET		1

D T540iXP
ELECTRIC

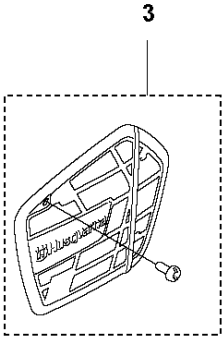
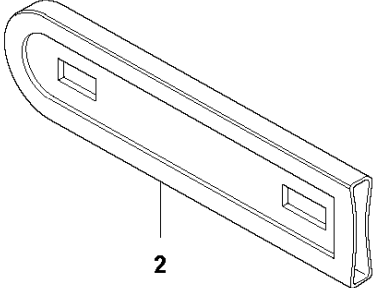
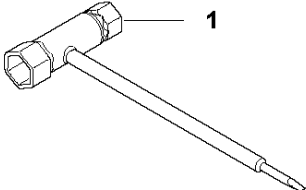


ELECTRICAL

T540iXP, 2019-12

Ref	Part No	Description	Remark	QTY KIT
1	592 64 79-01	CONTROL PANEL	Small with BT	1
2	593 95 41-01	MICRO SWITCH		1
3	593 71 49-01	WIRING ASSY		1
4	598 40 23-01	MOTOR ASSY		1
5	525 75 51-05	SCREW ITXSCFM		3
6	593 08 38-01	WIRING ASSY		1
7	580 29 29-01	SCREW ITXSCT		2
8	598 85 89-01	CONTROL UNIT		1
9	525 75 51-07	SCREW ITXSCFM		5
10	593 78 26-01	FAN		1

E T540iXP
ACCESSORIES



ACCESSORIES

T540iXP, 2019-12

Ref	Part No	Description	Remark	QTY KIT
1	501 69 17-01	COMBINATION WRENCH	1	
2	501 83 44-09	BAR COVER	1	
3	597 68 27-01	COVER KIT	1	