



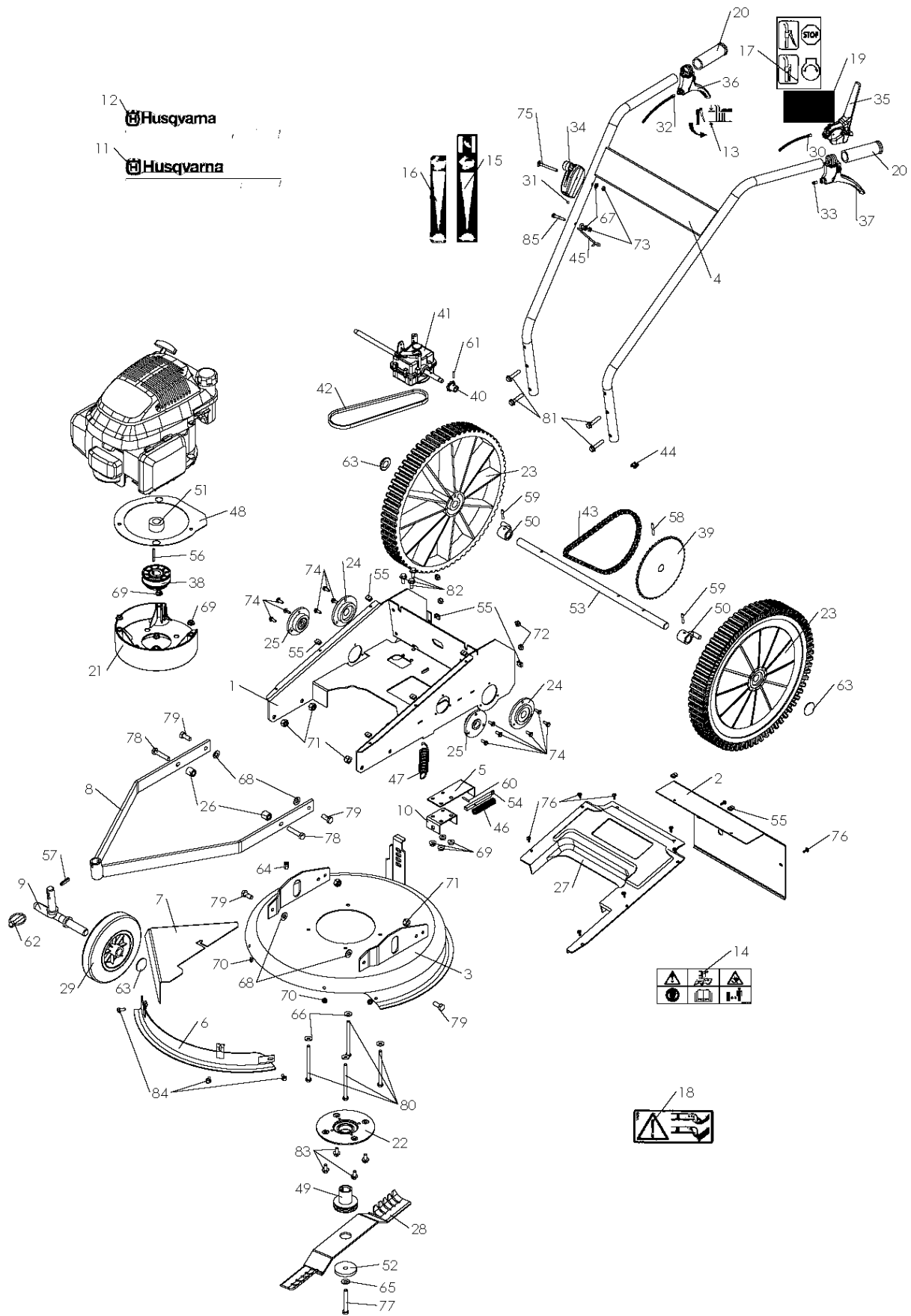
SPARE PARTS LIST

LAWN MOWERS: COMMERCIAL
WALK-BEHINDS

DB51, 504854401, 2015-03

REPAIR PARTS

BRUSHCUTTER - MODEL NO. DB51 / DBH51, PRODUCT NO. 505 51 15-01



Ref	Part No	Description	Remark	QTY KIT
1	505 51 16-01	CHASSIS		1
2	504 05 06-01	BONNET		1
3	504 04 99-01	GUARD		1
4	504 05 08-01	HANDLEBAR		1
5	531 00 94-33	SUPPORT		1
6	585 42 52-01	DEFLECTOR		1
7	585 42 53-01	DEFLECTOR		1
8	504 05 10-01	CHASSI		1
9	531 00 94-27	SUPPORT		1
10	531 00 85-92	SUPPORT		1
11	504 05 29-01	LABEL	Husqvarna DBH51	
12	504 05 28-01	LABEL		1
13	531 00 94-67	DECALC.REGLAGE DE COUPE		1
14	519 65 32-64	LABEL		1
15	531 00 94-05	DECALC.CDE DE GAZ	DBH51	
16	531 00 82-51	DECAL		1
17	531 00 84-06	LABEL		1
18	519 65 32-63	LABEL		2
19	519 00 62-25	DECAL		1
20	544 31 14-01	GRIP		2
21	544 29 17-01	WASHER PLASTIC		1
22	531 00 94-37	COUPELLE PROTEGE LAME		1
23	587 48 24-01	WHEEL		2
24	531 00 83-58	PALIER ARBRE DE ROUE 15366		2
25	544 26 89-01	BEARING		2
26	504 05 13-01	GUARD		2
27	544 26 78-01	HOOD		1
28	531 00 94-60	LAME DE COUPE		1
29	531 00 82-62	WHEEL		1
30	504 05 20-01	CABLE		1
31	504 05 19-01	CABLE		1
32	504 05 18-01	CABLE		1
33	505 51 21-01	CABLE		1
34	504 05 17-01	CONTROL		1
35	504 05 15-01	LEVER		1
36	504 05 14-01	LEVER		1
37	544 31 13-01	CLUTCH LEVER		1
38	531 00 94-70	POULIE DE VARIATEUR		1
39	505 51 19-01	PINION		1
40	504 05 11-01	SPROCKET		1
41	505 51 17-01	GEARBOX		1
42	504 05 09-01	BELT		1
43	531 00 94-64	CHAIN		1
44	519 65 32-36	ATTACHE RAPIDE 13279		1
45	531 00 85-97	ACCROCHE LANCEUR		1
46	519 65 32-09	RESSORT DE VERROUILLAGE 13016		1
47	519 65 32-04	SPRING		1
48	587 48 23-01	ENGINE PLATE		1
49	531 00 94-32	HUB		1
50	519 65 32-51	MOYEU DE ROUE 14013		2
51	504 05 16-01	SPACER		1
52	519 65 32-74	WASHER		1
53	504 05 04-01	SHAFT		1
54	531 00 85-94	AXE		1
55	519 65 34-25	CLIP		9
56	519 65 30-21	KEY		1
57	531 00 85-64	GOUPILLE 8X30		1
58	519 65 31-70	GOUPILLE GM 5 X 40 11768		1
59	519 65 31-69	GOUPILLE DE ROUE GV 5X30 11767		2
60	531 00 83-98	GOUPILLE 4X24 HBK		1
61	519 65 31-68	GOUPILLE 11760		1
62	519 65 31-67	GOUPILLE 11710		1
63	519 65 31-74	HUB CAP		3
64	585 42 73-01	INSERT		1

PRODUCT COMPLETE

DB51, 504854401, 2015-03

Ref	Part No	Description	Remark	QTY KIT
65	504 05 22-01	WASHER		1
66	544 31 49-01	WASHER		3
67	531 00 94-03	WASHER		2
68	531 00 83-89	WASHER		4
69	519 65 34-30	NUT		7
70	519 65 34-32	NUT		3
71	519 65 34-58	NUT		6
72	544 20 79-01	NUT		4
73	732 26 16-01	NUT		2
74	504 05 27-01	SCREW		12
75	544 31 31-01	SCREW		1
76	519 65 34-26	SCREW		9
77	531 00 83-18	SCREW		1
78	519 65 31-27	SCREW		2
79	519 65 31-23	SCREW		4
80	587 48 25-01	SCREW		1
80	519 65 30-45	SCREW		2
81	519 65 34-13	SCREW		4
82	519 65 34-33	NUT		3
83	531 00 82-02	BOLT		4
84	519 65 34-35	SCREW		3
85	519 65 34-37	SCREW		1