

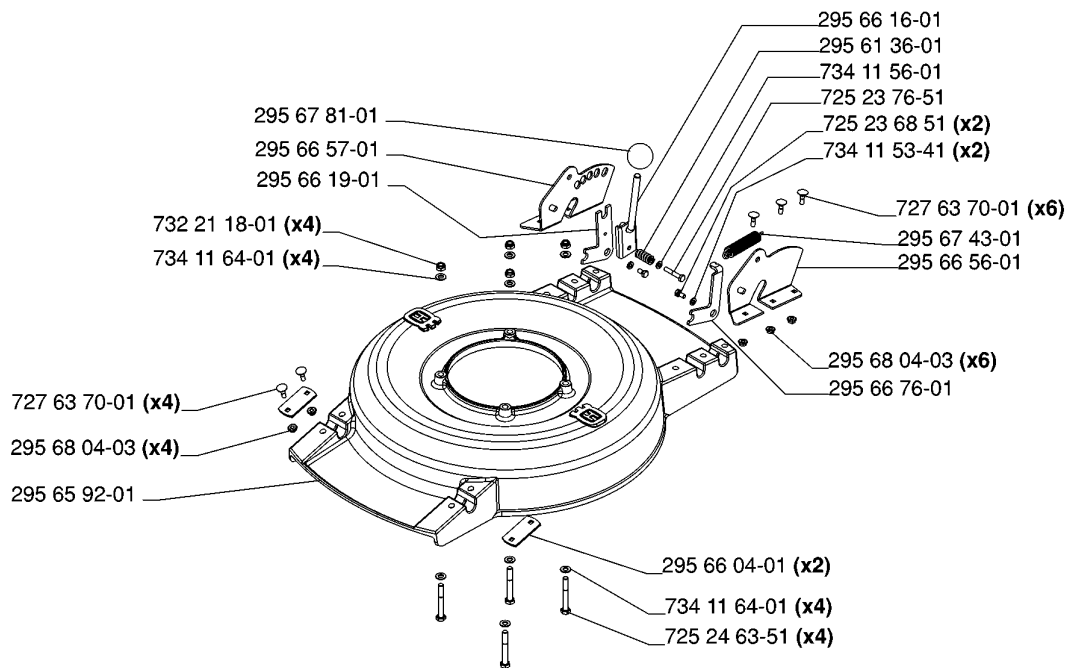


SPARE PARTS LIST

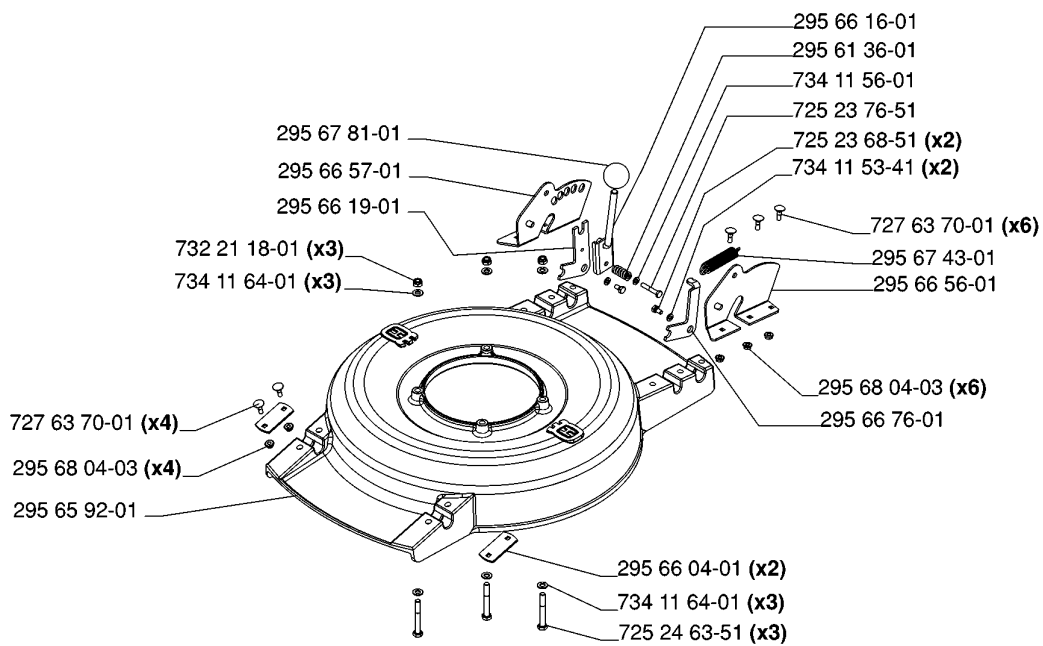
LAWN MOWERS: COMMERCIAL
WALK-BEHINDS

M48 PRO, 953534601, 2007-01

A M 48 Pro
Motor compl 295 68 13-01 (Honda 160 CV)



A M 48
Motor compl 295 68 12-01 (B&S Q 45)

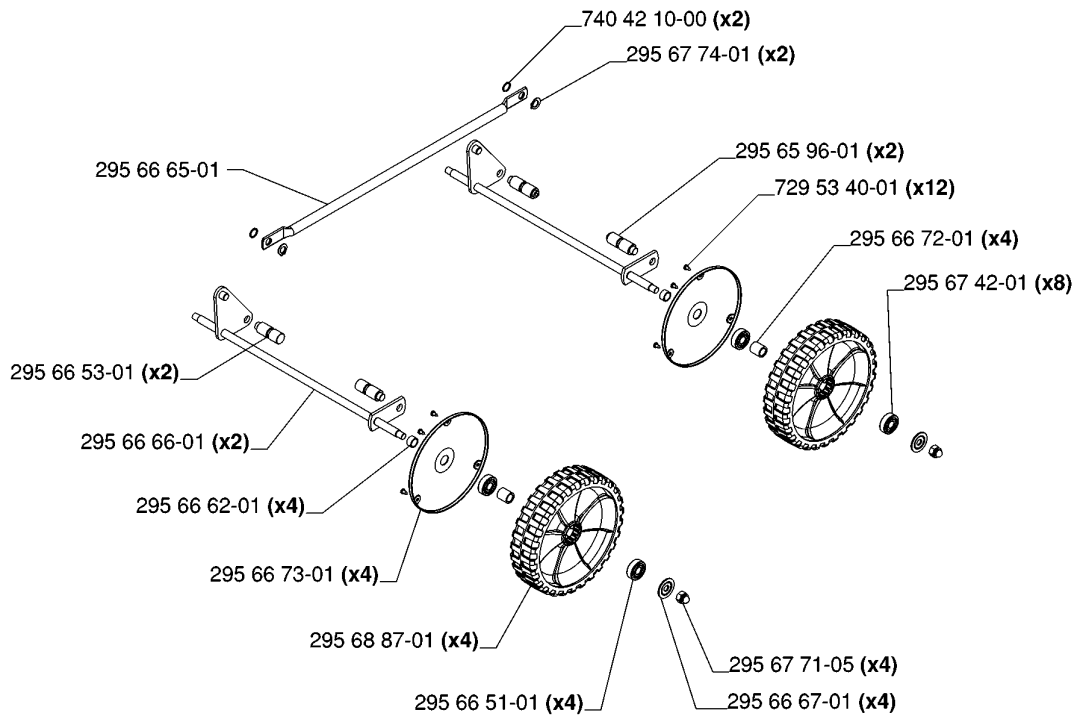


CHASSIS / FRAME

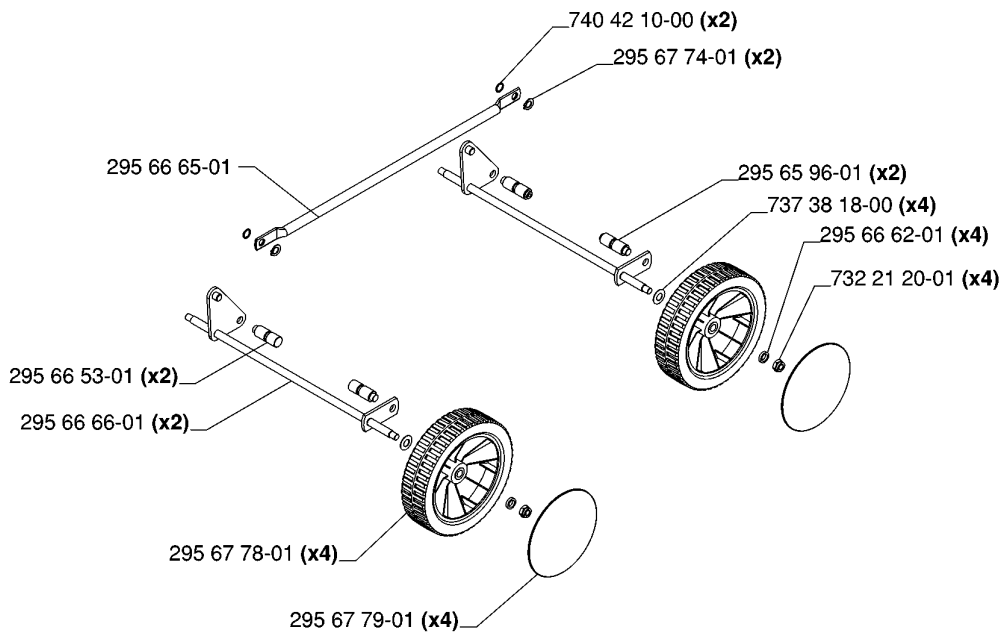
M48 PRO, 953534601, 2007-01

Part No	Description	Remark	QTY KIT
295 61 36-01	SPRING		1
295 61 36-01	SPRING		1
295 65 92-01	CHASSIS		1
295 65 92-01	CHASSIS		1
295 66 04-01	BRACKET		2
295 66 04-01	BRACKET		2
295 66 16-01	LEVER ASSY		1
295 66 16-01	LEVER ASSY		1
295 66 19-01	LINK ARM		1
295 66 19-01	LINK ARM		1
295 66 56-01	HANDLE SUPPORT		1
295 66 56-01	HANDLE SUPPORT		1
295 66 57-01	INDEX PLATE		1
295 66 57-01	INDEX PLATE		1
295 66 76-01	LEVER		1
295 66 76-01	LEVER		1
295 67 43-01	SPRING		1
295 67 43-01	SPRING		1
295 67 81-01	BALL		1
295 67 81-01	BALL		1
295 68 04-03	LOCK NUT		4
295 68 04-03	LOCK NUT		4
295 68 04-03	LOCK NUT		6
295 68 04-03	LOCK NUT		6
295 68 12-01	ENGINE		1
295 68 13-01	ENGINE		1
725 23 68-51	SCREW		2
725 23 68-51	SCREW		2
725 23 76-51	SCREW EHHM		1
725 23 76-51	SCREW EHHM		1
725 24 63-51	SCREW EHHM		4
725 24 63-51	SCREW EHHM		3
727 63 70-01	SCREW RSQM		6
727 63 70-01	SCREW RSQM		6
727 63 70-01	SCREW RSQM		4
727 63 70-01	SCREW RSQM		4
732 21 18-01	LOCK NUT		3
732 21 18-01	LOCK NUT		4
734 11 53-41	WASHER		2
734 11 53-41	WASHER		2
734 11 56-01	WASHER		1
734 11 56-01	WASHER		1
734 11 64-01	WASHER		4
734 11 64-01	WASHER		3
734 11 64-01	WASHER		4
734 11 64-01	WASHER		3

B M 48 Pro



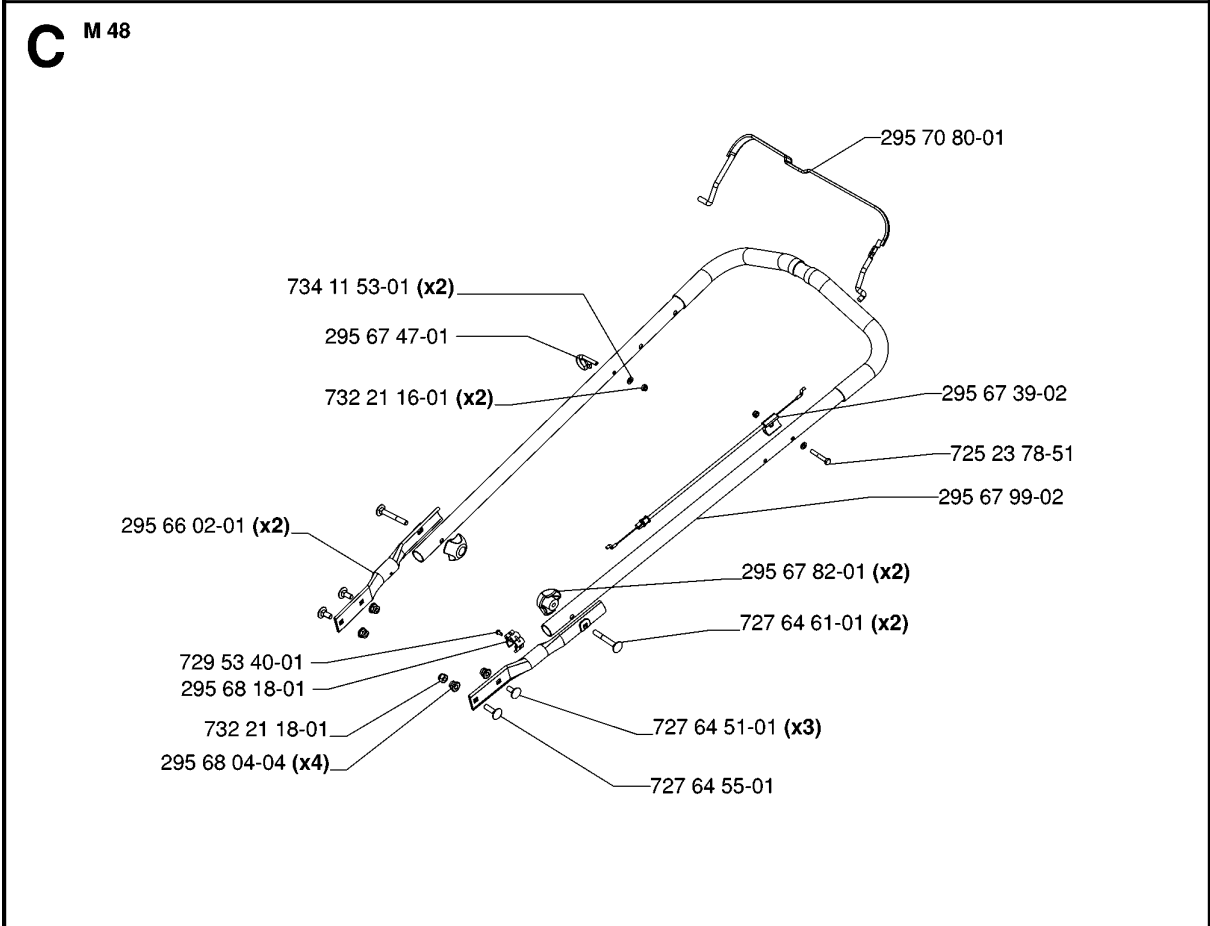
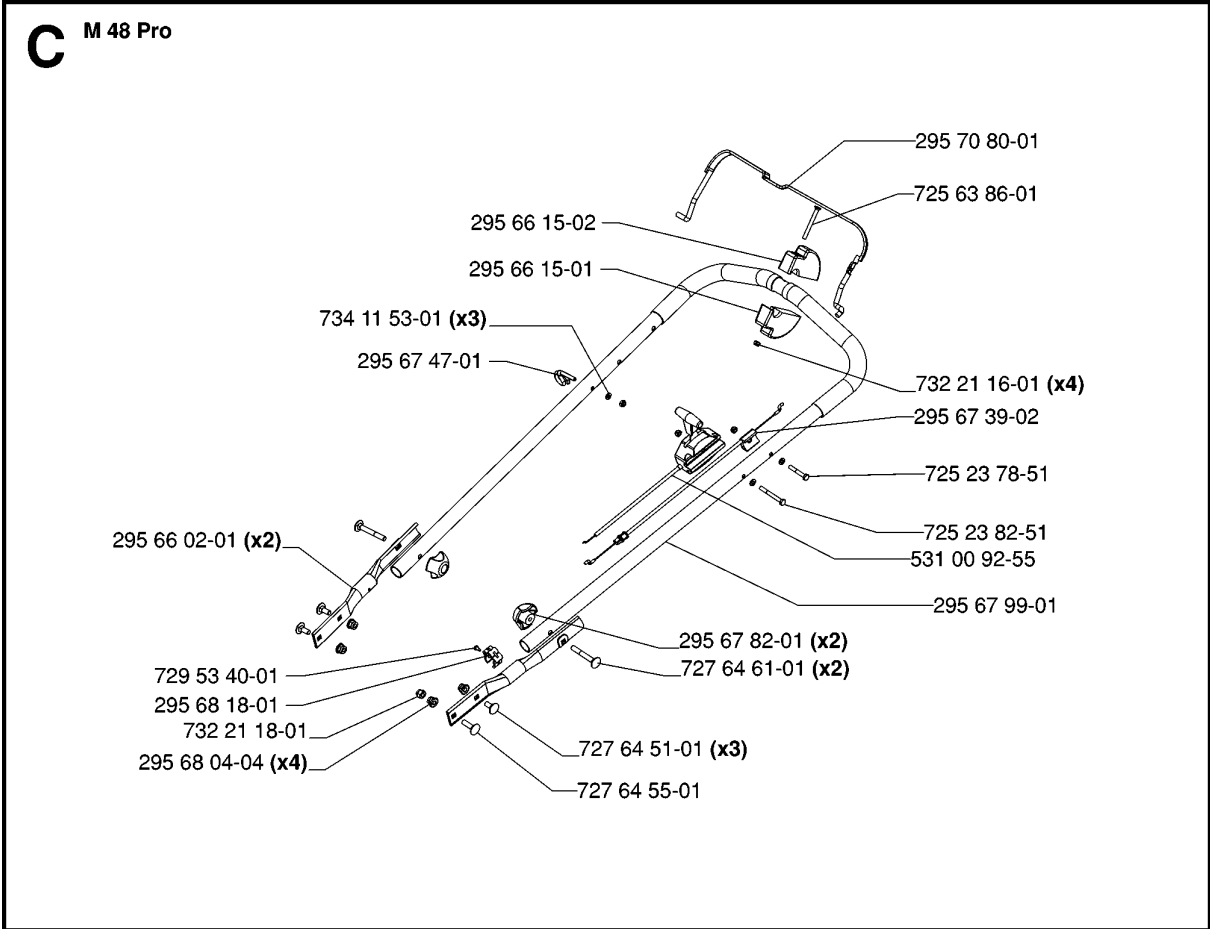
B M 48



WHEELS & TIRES

M48 PRO, 953534601, 2007-01

Part No	Description	Remark	QTY KIT
295 65 96-01	SHAFT		2
295 65 96-01	SHAFT		2
295 66 51-01	TIRE		4
295 66 53-01	SHAFT		2
295 66 53-01	SHAFT		2
295 66 62-01	SPACER		4
295 66 62-01	SPACER		4
295 66 65-01	ROD		1
295 66 65-01	ROD		1
295 66 66-01	AXLE		2
295 66 66-01	AXLE		2
295 66 67-01	WASHER		4
295 66 72-01	SPACER		4
295 66 73-01	SHIELD		4
295 67 42-01	BALL BEARING		8
295 67 71-05	NUT		4
295 67 74-01	RING		2
295 67 74-01	RING		2
295 67 78-01	WHEEL		4
295 67 79-01	HUB CAP		4
295 68 87-01	WHEEL ASSY		4
729 53 40-01	SCREW CCRPANT		12
732 21 20-01	LOCK NUT		4
737 38 18-00	CUP		4
740 42 10-00	O-RING		2
740 42 10-00	O-RING		2

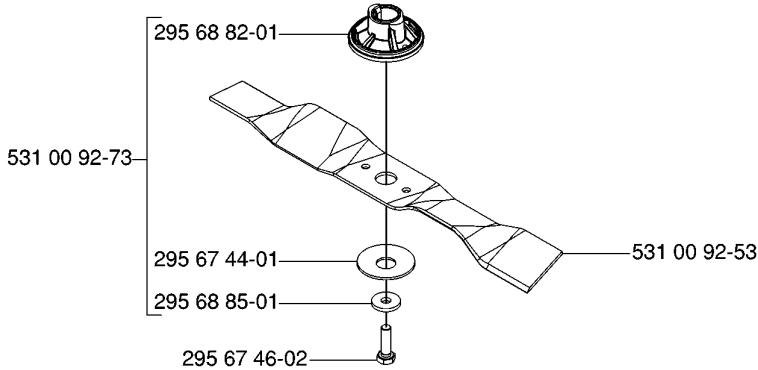


HANDLE & CONTROLS

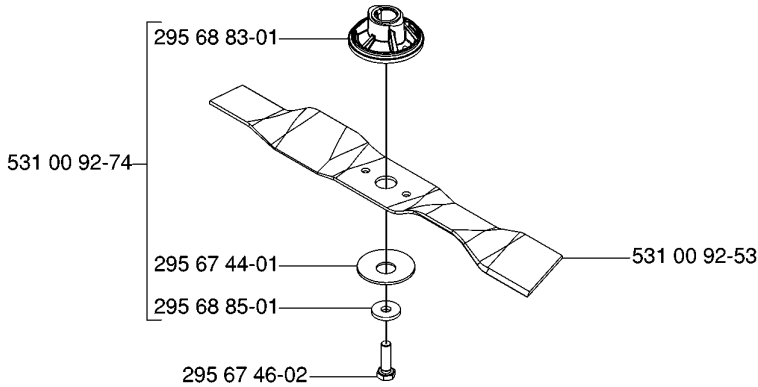
M48 PRO, 953534601, 2007-01

Part No	Description	Remark	QTY KIT
295 66 02-01	BRACKET		2
295 66 02-01	BRACKET		2
295 66 15-01	WEIGHT		1
295 66 15-02	WEIGHT		1
295 67 39-02	CABLE		1
295 67 39-02	CABLE		1
295 67 47-01	HOLDER		1
295 67 47-01	HOLDER		1
295 67 82-01	HANDLE		2
295 67 82-01	HANDLE		2
295 67 99-01	HANDLE ASSY		1
295 67 99-02	HANDLE ASSY		1
295 68 04-04	LOCK NUT		4
295 68 04-04	LOCK NUT		4
295 68 18-01	HOLDER		1
295 68 18-01	HOLDER		1
531 00 92-55	CONTROL		1
725 23 78-51	SCREW EHHM		1
725 23 78-51	SCREW EHHM		1
725 23 82-51	SCREW EHHM		1
725 63 86-01	SCREW IHCSFM		1
727 64 51-01	SCREW RSQM		3
727 64 51-01	SCREW RSQM		3
727 64 55-01	SCREW RSQM		1
727 64 55-01	SCREW RSQM		1
727 64 61-01	SCREW RSQM		2
727 64 61-01	SCREW RSQM		2
729 53 40-01	SCREW CCRPANT		1
729 53 40-01	SCREW CCRPANT		1
732 21 16-01	LOCK NUT		4
732 21 16-01	LOCK NUT		2
732 21 18-01	LOCK NUT		1
732 21 18-01	LOCK NUT		1
734 11 53-01	WASHER		3
734 11 53-01	WASHER		2

D M 48 Pro



D M 48



CUTTING EQUIPMENT

M48 PRO, 953534601, 2007-01

Part No	Description	Remark	QTY KIT
295 67 44-01	SPRING		1
295 67 44-01	SPRING		1
295 67 46-02	BOLT		1
295 67 46-02	BOLT		1
295 68 82-01	BLADE SUPPORT		1
295 68 83-01	BLADE SUPPORT		1
295 68 85-01	WASHER		1
295 68 85-01	WASHER		1
531 00 92-53	BLADE		1
531 00 92-53	BLADE		1
531 00 92-73	KNIFE KIT		1
531 00 92-74	KNIFE KIT		1