

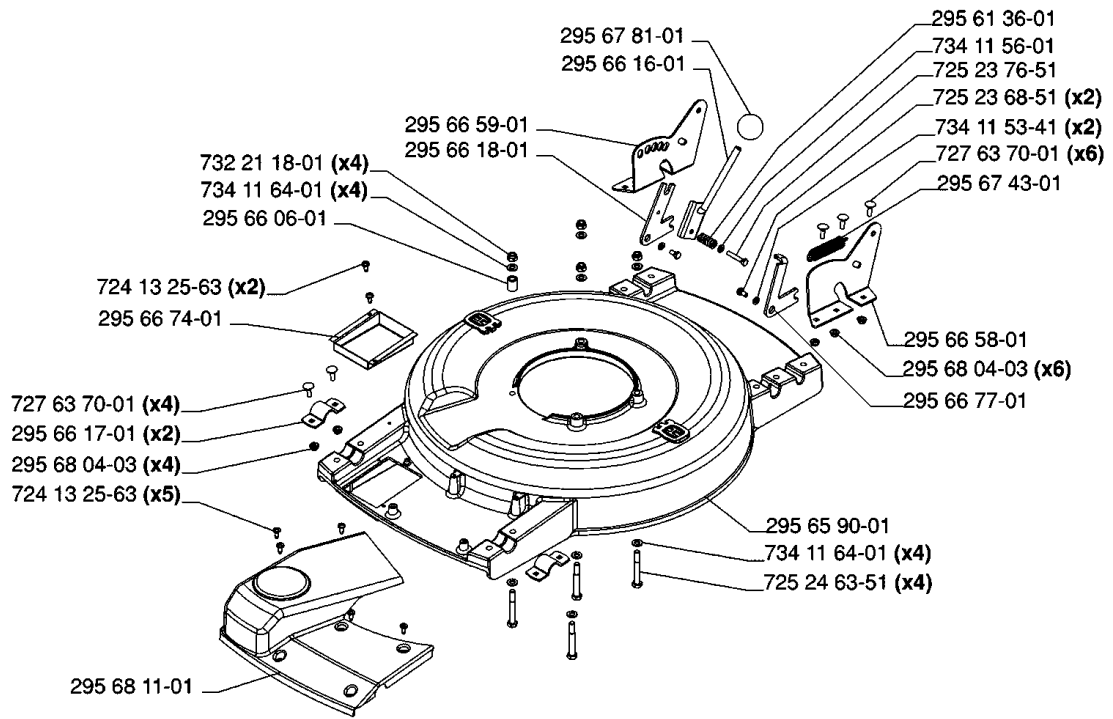


# SPARE PARTS LIST

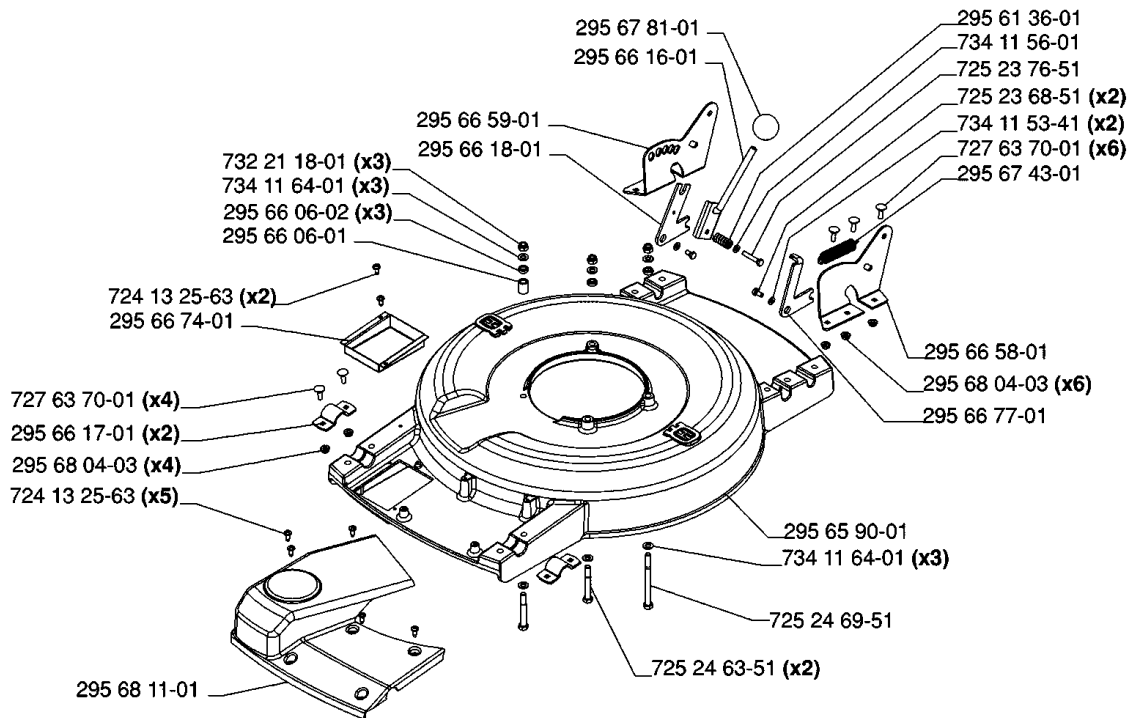
LAWN MOWERS: COMMERCIAL  
WALK-BEHINDS

M53 S, 953534701, 2007-01

**A** M 53 S Pro  
Motor compl 295 68 15-01 (Honda 160 CV)



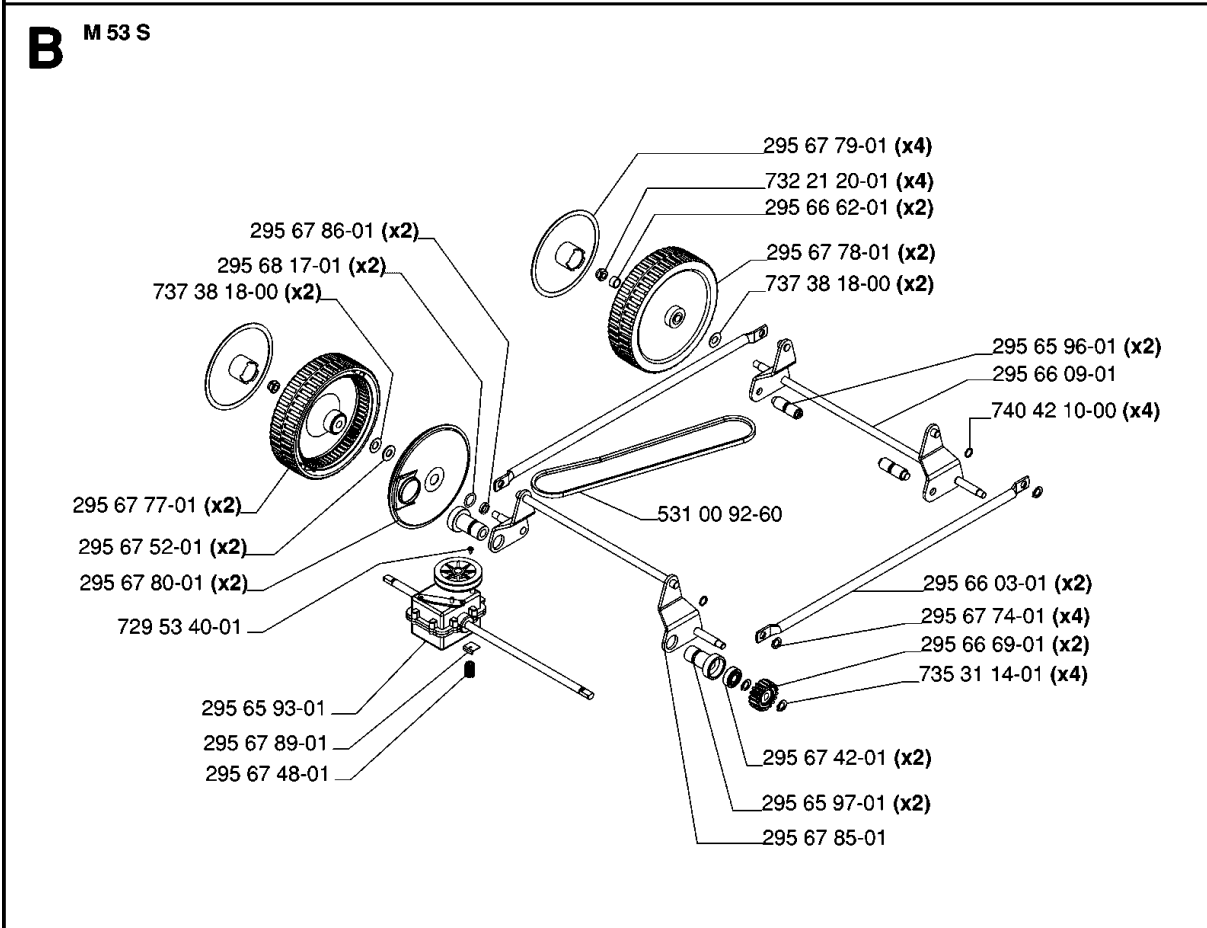
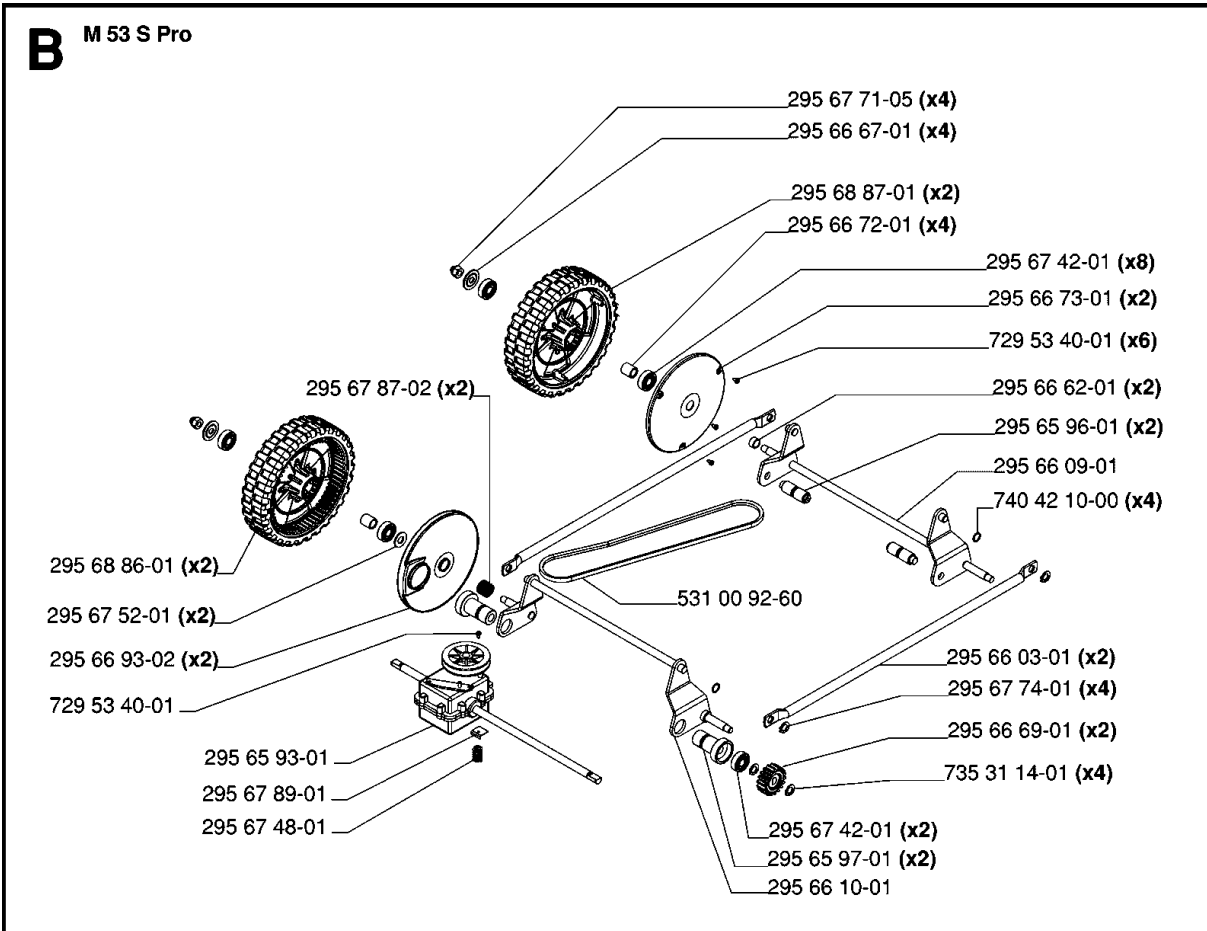
**A** M 53 S  
Motor compl 295 68 14-01 (B&S Q 55)



## CHASSIS / FRAME

M53 S, 953534701, 2007-01

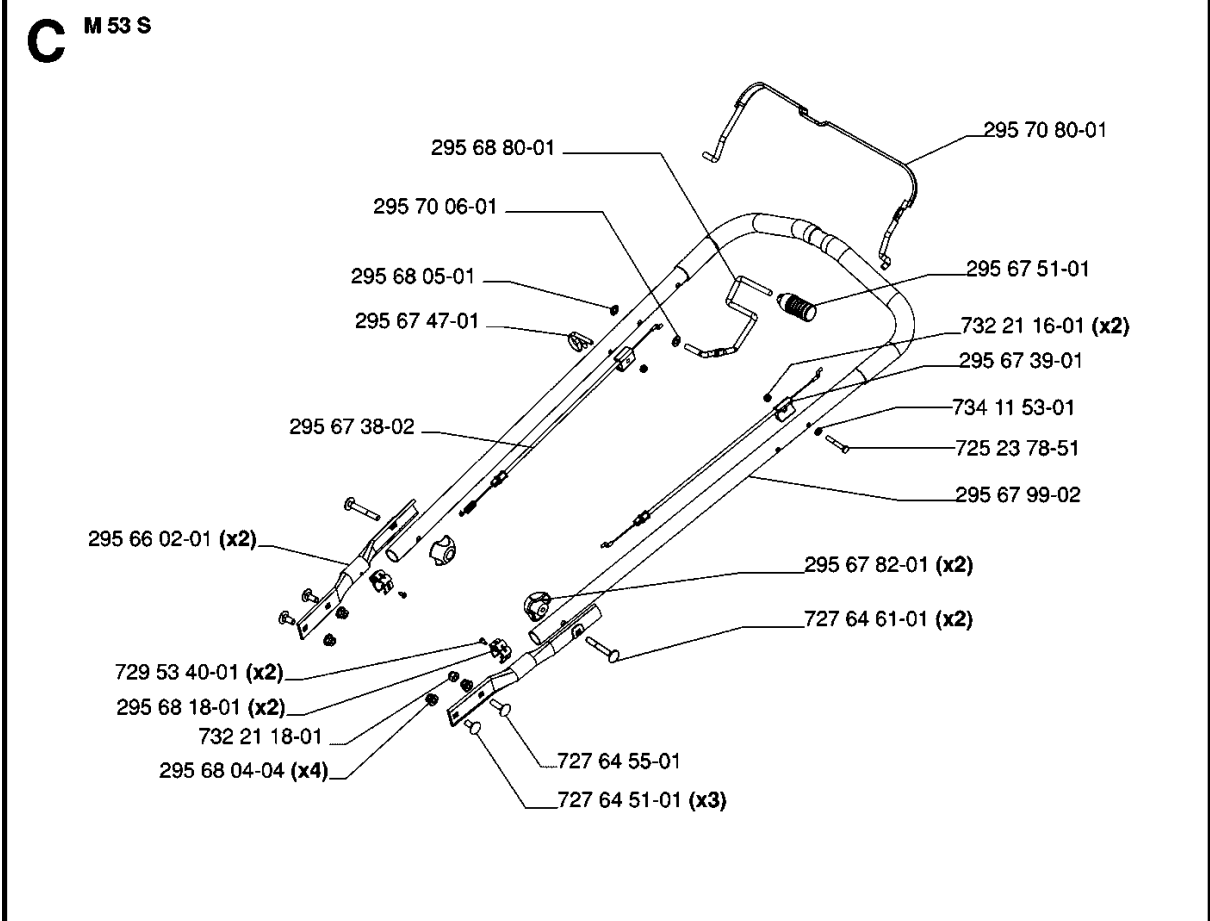
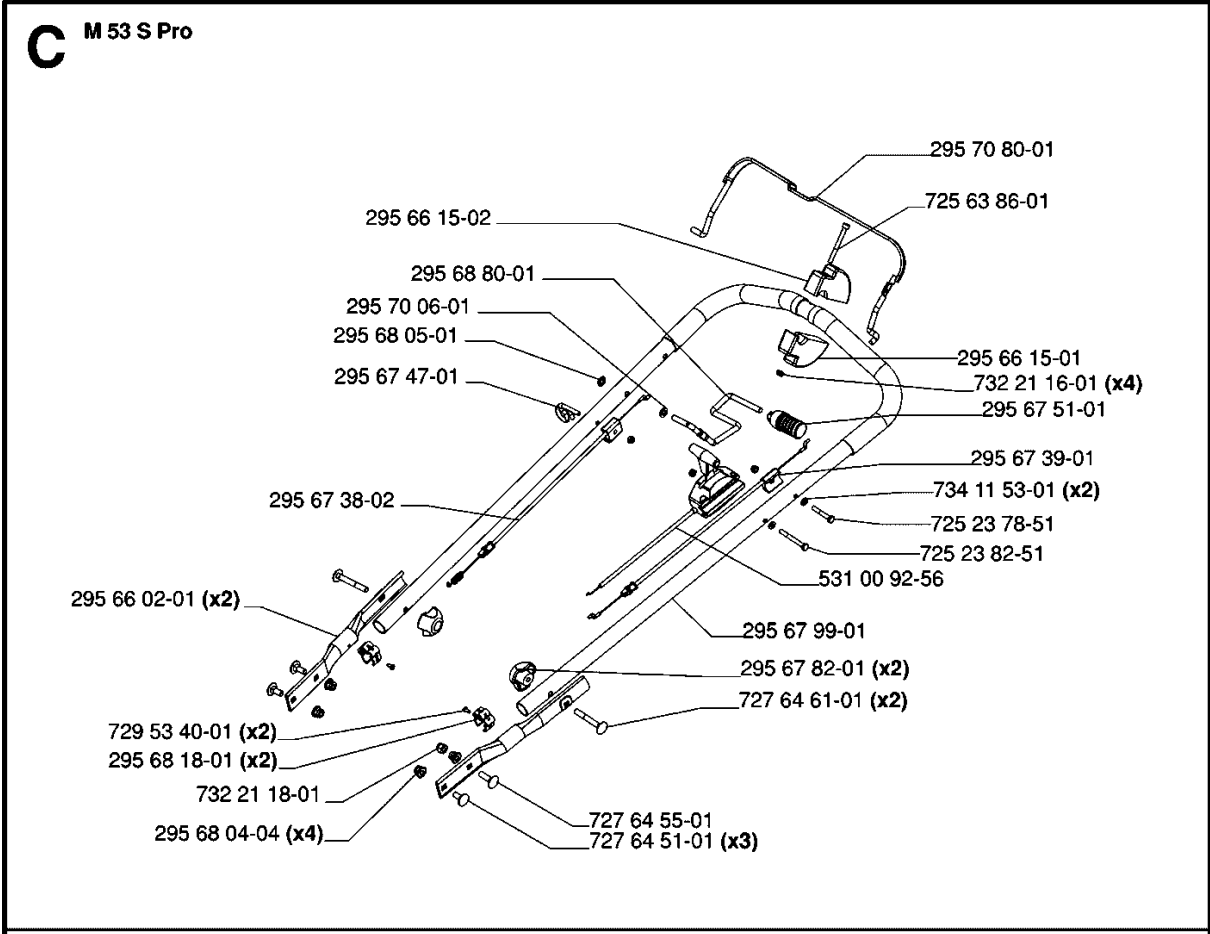
Part No	Description	Remark	QTY KIT
295 61 36-01	SPRING		1
295 61 36-01	SPRING		1
295 65 90-01	CHASSIS		1
295 65 90-01	CHASSIS		1
295 66 06-01	SPACER		1
295 66 06-01	SPACER		1
295 66 06-02	SPACER		3
295 66 16-01	LEVER ASSY		1
295 66 16-01	LEVER ASSY		1
295 66 17-01	HOLDER		2
295 66 17-01	HOLDER		2
295 66 18-01	LINK ARM		1
295 66 18-01	LINK ARM		1
295 66 58-01	HANDLE SUPPORT		1
295 66 58-01	HANDLE SUPPORT		1
295 66 59-01	INDEX PLATE		1
295 66 59-01	INDEX PLATE		1
295 66 74-01	CUP		1
295 66 74-01	CUP		1
295 66 77-01	LEVER		1
295 66 77-01	LEVER		1
295 67 43-01	SPRING		1
295 67 43-01	SPRING		1
295 67 81-01	BALL		1
295 67 81-01	BALL		1
295 68 04-03	LOCK NUT		4
295 68 04-03	LOCK NUT		4
295 68 04-03	LOCK NUT		6
295 68 04-03	LOCK NUT		6
295 68 11-01	FRONT COVER		1
295 68 11-01	FRONT COVER		1
295 68 14-01	ENGINE		1
295 68 15-01	ENGINE		1
724 13 25-63	SCREW		2
724 13 25-63	SCREW		5
724 13 25-63	SCREW		5
724 13 25-63	SCREW		2
725 23 68-51	SCREW		2
725 23 68-51	SCREW		2
725 23 76-51	SCREW EHHM		1
725 23 76-51	SCREW EHHM		1
725 24 63-51	SCREW EHHM		2
725 24 63-51	SCREW EHHM		4
725 24 69-51	SCREW EHHM		1
727 63 70-01	SCREW RSQM		4
727 63 70-01	SCREW RSQM		6
727 63 70-01	SCREW RSQM		4
727 63 70-01	SCREW RSQM		6
732 21 18-01	LOCK NUT		4
732 21 18-01	LOCK NUT		3
734 11 53-41	WASHER		2
734 11 53-41	WASHER		2
734 11 56-01	WASHER		1
734 11 56-01	WASHER		1
734 11 64-01	WASHER		4
734 11 64-01	WASHER		4
734 11 64-01	WASHER		3
734 11 64-01	WASHER		3



## WHEELS &amp; TIRES

M53 S, 953534701, 2007-01

Part No	Description	Remark	QTY KIT
295 65 93-01	GEARBOX		1
295 65 93-01	GEARBOX		1
295 65 96-01	SHAFT		2
295 65 96-01	SHAFT		2
295 65 97-01	SHAFT		2
295 65 97-01	SHAFT		2
295 66 03-01	ROD		2
295 66 03-01	ROD		2
295 66 09-01	AXLE		1
295 66 09-01	AXLE		1
295 66 10-01	AXLE		1
295 66 62-01	SPACER		2
295 66 62-01	SPACER		2
295 66 67-01	WASHER		4
295 66 69-01	PINION		2
295 66 69-01	PINION		2
295 66 72-01	SPACER		4
295 66 73-01	SHIELD		2
295 66 93-02	SHIELD		2
295 67 42-01	BALL BEARING		2
295 67 42-01	BALL BEARING		8
295 67 42-01	BALL BEARING		2
295 67 48-01	SPRING		1
295 67 48-01	SPRING		1
295 67 52-01	SPACER WASHER		2
295 67 52-01	SPACER WASHER		2
295 67 71-05	NUT		4
295 67 74-01	RING		4
295 67 74-01	RING		4
295 67 77-01	WHEEL		2
295 67 78-01	WHEEL		2
295 67 79-01	HUB CAP		4
295 67 80-01	SHIELD		2
295 67 85-01	AXLE		1
295 67 86-01	SPACER		2
295 67 87-02	SPRING		2
295 67 89-01	BRACKET		1
295 67 89-01	BRACKET		1
295 68 17-01	O-RING		2
295 68 86-01	WHEEL ASSY		2
295 68 87-01	WHEEL ASSY		2
531 00 92-60	BELT		1
531 00 92-60	BELT		1
729 53 40-01	SCREW CCRPANT		1
729 53 40-01	SCREW CCRPANT		6
729 53 40-01	SCREW CCRPANT		1
732 21 20-01	LOCK NUT		4
735 31 14-01	CIRCLIP		4
735 31 14-01	CIRCLIP		4
737 38 18-00	CUP		2
737 38 18-00	CUP		2
740 42 10-00	O-RING		4
740 42 10-00	O-RING		4

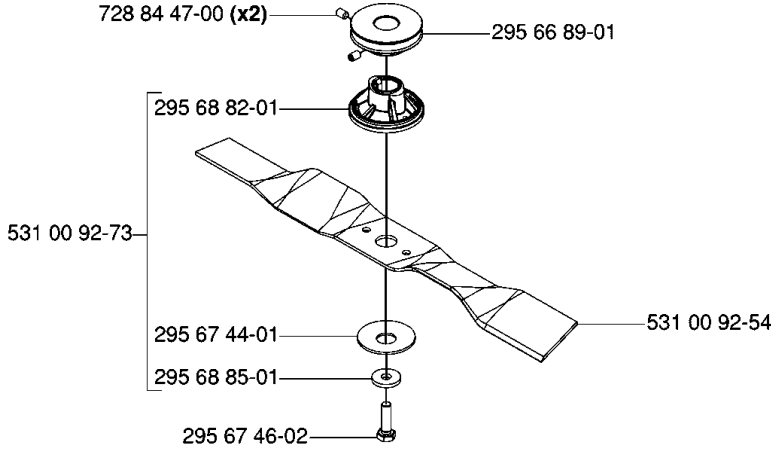


## HANDLE &amp; CONTROLS

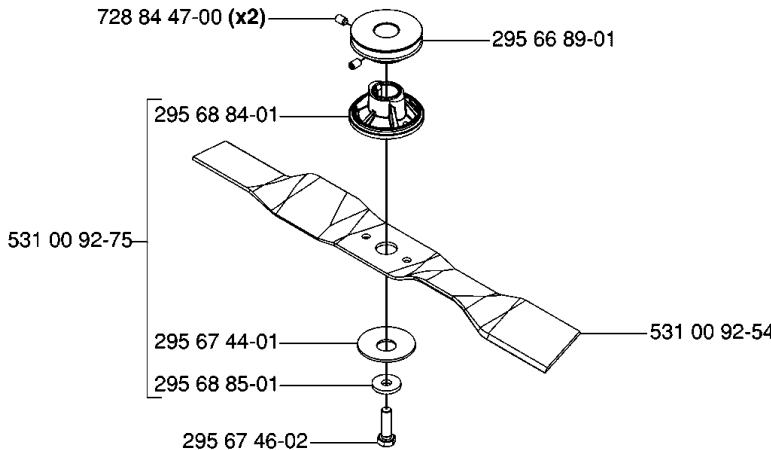
M53 S, 953534701, 2007-01

Part No	Description	Remark	QTY KIT
295 66 02-01	BRACKET		2
295 66 02-01	BRACKET		2
295 66 15-01	WEIGHT		1
295 66 15-02	WEIGHT		1
295 67 38-02	DRIVE CONTROL		1
295 67 38-02	DRIVE CONTROL		1
295 67 39-01	CABLE		1
295 67 39-01	CABLE		1
295 67 47-01	HOLDER		1
295 67 47-01	HOLDER		1
295 67 51-01	KNOB		1
295 67 51-01	KNOB		1
295 67 82-01	HANDLE		2
295 67 82-01	HANDLE		2
295 67 99-01	HANDLE ASSY		1
295 67 99-02	HANDLE ASSY		1
295 68 04-04	LOCK NUT		4
295 68 04-04	LOCK NUT		4
295 68 05-01	WASHER		1
295 68 05-01	WASHER		1
295 68 18-01	HOLDER		2
295 68 18-01	HOLDER		2
295 68 80-01	LEVER		1
295 68 80-01	LEVER		1
295 70 06-01	WASHER		1
295 70 06-01	WASHER		1
531 00 92-56	THROTTLE CABLE ASSY		1
725 23 78-51	SCREW EHHM		1
725 23 78-51	SCREW EHHM		1
725 23 82-51	SCREW EHHM		1
725 63 86-01	SCREW IHCSFM		1
727 64 51-01	SCREW RSQM		3
727 64 51-01	SCREW RSQM		3
727 64 55-01	SCREW RSQM		1
727 64 55-01	SCREW RSQM		1
727 64 61-01	SCREW RSQM		2
727 64 61-01	SCREW RSQM		2
729 53 40-01	SCREW CCRPANT		2
729 53 40-01	SCREW CCRPANT		2
732 21 16-01	LOCK NUT		4
732 21 16-01	LOCK NUT		2
732 21 18-01	LOCK NUT		1
732 21 18-01	LOCK NUT		1
734 11 53-01	WASHER		2
734 11 53-01	WASHER		1

**D** M 53 S Pro



**D** M 53 S





## CUTTING EQUIPMENT

M53 S, 953534701, 2007-01

Part No	Description	Remark	QTY KIT
295 66 89-01	PULLEY		1
295 66 89-01	PULLEY		1
295 67 44-01	SPRING		1
295 67 44-01	SPRING		1
295 67 46-02	BOLT		1
295 67 46-02	BOLT		1
295 68 82-01	BLADE SUPPORT		1
295 68 84-01	BLADE SUPPORT		1
295 68 85-01	WASHER		1
295 68 85-01	WASHER		1
531 00 92-54	BLADE		1
531 00 92-54	BLADE		1
531 00 92-73	KNIFE KIT		1
531 00 92-75	KNIFE KIT		1
728 84 47-00	SCREW IHSETM		2
728 84 47-00	SCREW IHSETM		2