

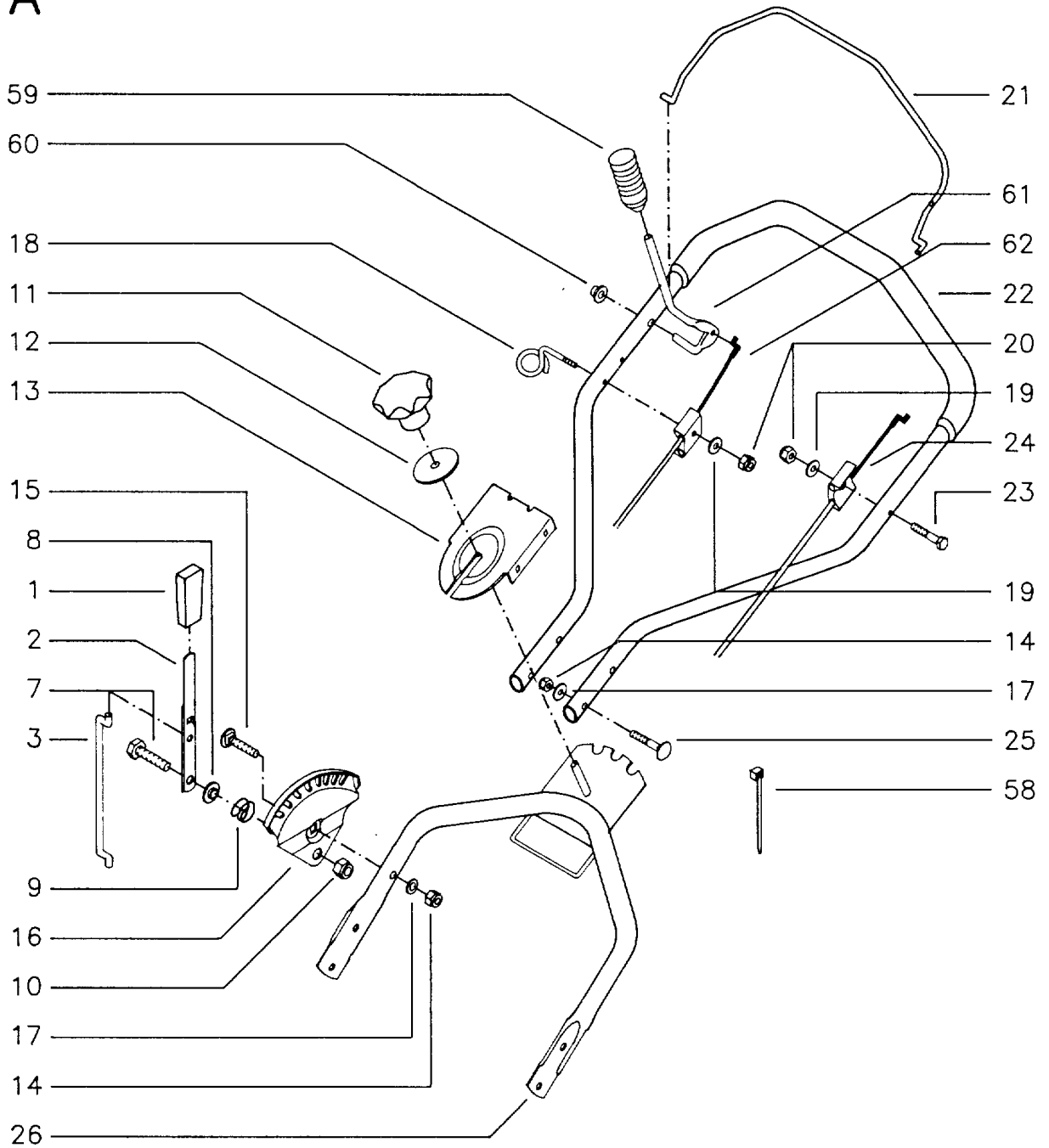


SPARE PARTS LIST

LAWN MOWERS: COMMERCIAL
WALK-BEHINDS

MASTER PRO S BRIGGS & STRATTON,
1998-05

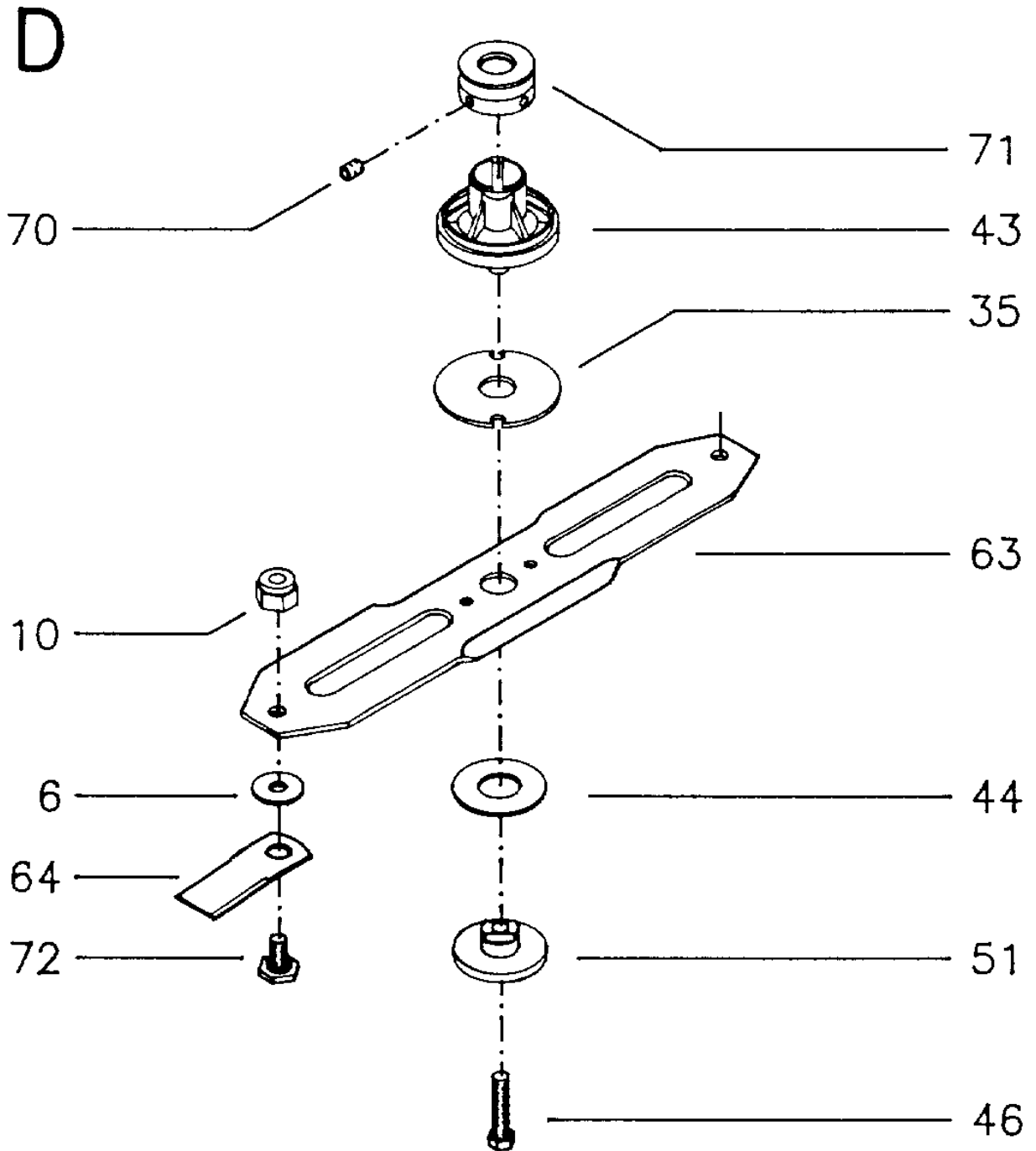
A



HANDLE & CONTROLS

MASTER PRO S BRIGGS & STRATTON, 1998-05

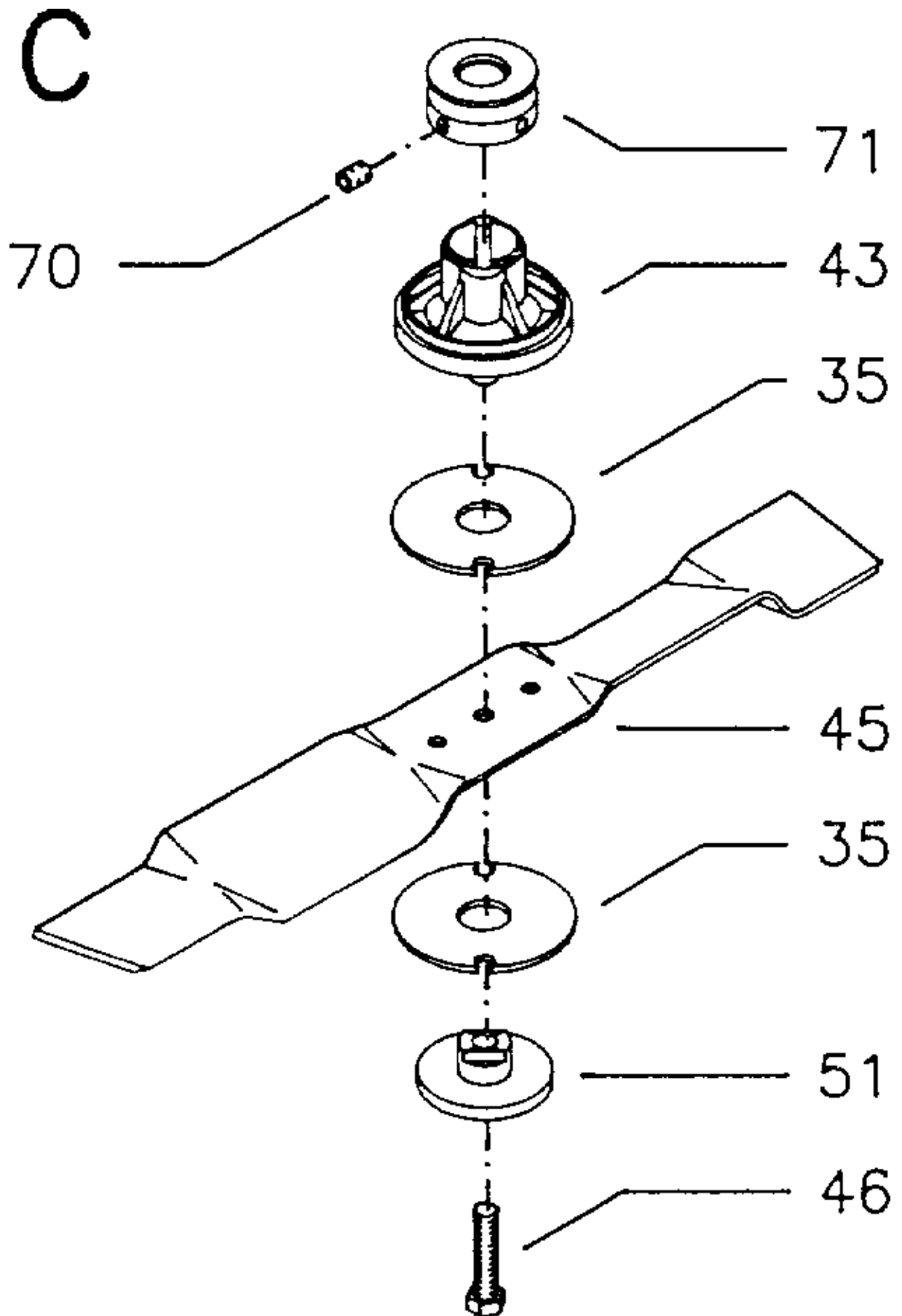
Ref	Part No	Description	Remark	QTY KIT
59	516 86 83-11	GRIP		1
60	516 91 13-00	LOCK RING		1
18	516 62 33-01	GUIDE		1
11	516 91 15-09	KNOB		1
12	515 79 60-01	WASHER		1
13	516 62 67-11	PLATE		1
15	727 64 57-01	SCREW RSQM		1
8	515 13 97-65	WASHER		1
1	516 87 48-07	HANDLE		1
2	515 13 98-90	CLUTCH		1
7	725 24 95-51	SCREW EHHM		1
3	516 64 37-01	ROD		1
9	515 11 80-38	PRESSURE SPRING		1
16	515 13 98-41	SEGMENT		1
10	732 21 20-01	LOCK NUT		1
17	734 11 63-01	WASHER		1
14	732 21 18-01	LOCK NUT		1
26	516 71 26-11	HANDLE		1
58	516 84 45-09	HOOP		1
25	727 64 59-01	SCREW RSQM		1
17	734 11 63-01	WASHER		1
14	732 21 18-01	LOCK NUT		1
19	516 44 91-01	WASHER		1
23	725 23 76-51	SCREW EHHM		1
24	517 81 00-31	WIRE		1
19	516 44 91-01	WASHER		1
20	732 21 16-01	LOCK NUT		1
22	516 63 05-25	HANDLE		1
62	517 81 00-78	WIRE		1
61	516 62 95-01	LEVER		1
21	516 62 63-07	LOOP		1



CUTTING EQUIPMENT

MASTER PRO S BRIGGS & STRATTON, 1998-05

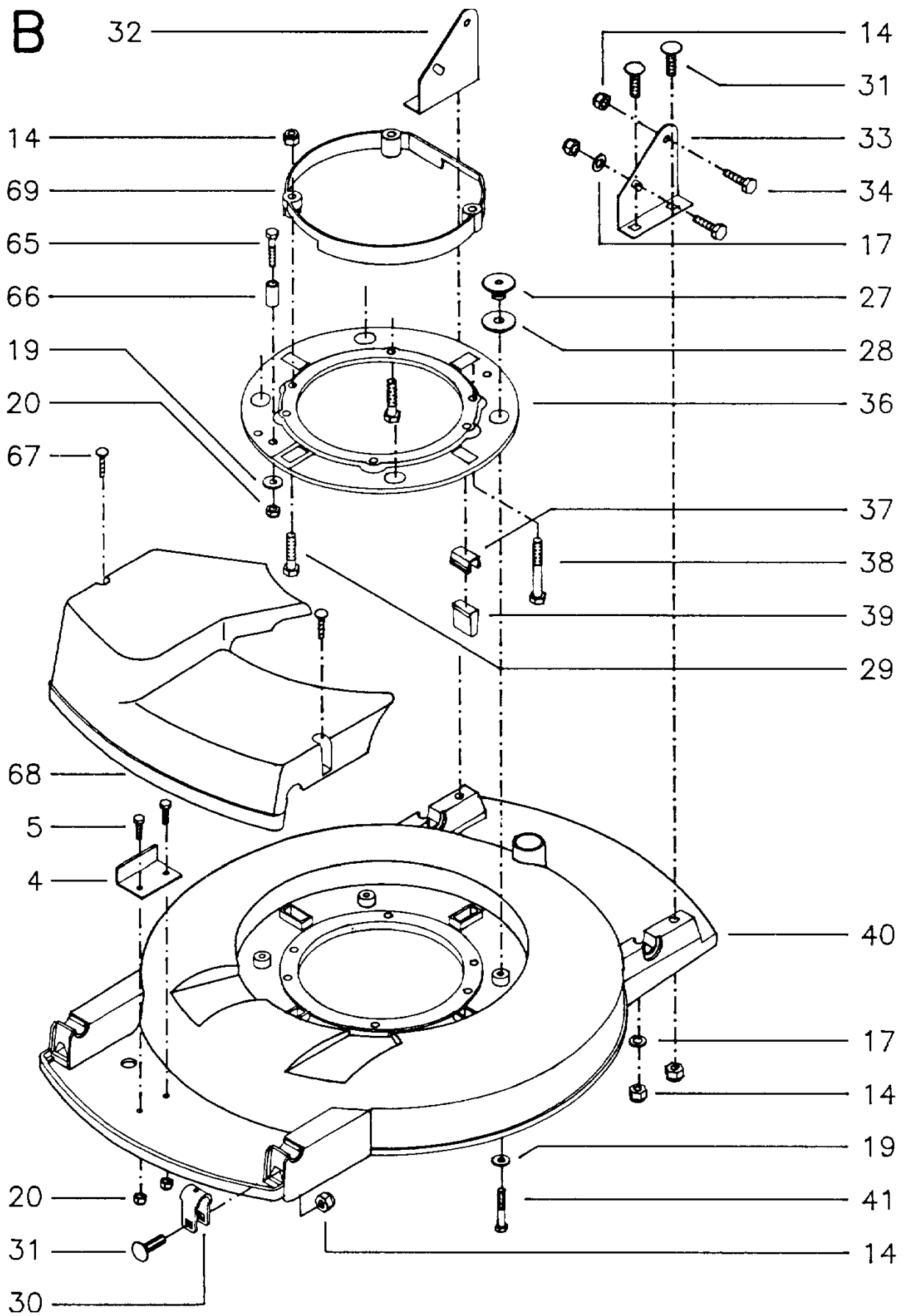
Ref	Part No	Description	Remark	QTY KIT
70	728 84 45-01	SCREW IHSETM		1
10	732 21 20-01	LOCK NUT		1
6	734 11 73-41	WASHER		1
64	516 64 45-00	BLADE		1
72	516 60 98-03	SCREW		1
46	515 12 39-31	SCREW		1
51	516 94 04-02	WASHER		1
44	516 93 96-00	DISC		1
63	516 64 43-00	MOWER BLADE		1
35	516 94 01-00	DISC		1
43	517 83 53-00	BLADE		1
71	516 63 07-00	PULLEY		1



CUTTING EQUIPMENT

MASTER PRO S BRIGGS & STRATTON, 1998-05

Ref	Part No	Description	Remark	QTY KIT
70	728 84 45-01	SCREW IHSETM		1
46	515 12 39-31	SCREW		1
51	516 94 04-02	WASHER		1
35	516 94 01-00	DISC		1
45	531 00 50-45	BLADE		1
35	516 94 01-00	DISC		1
43	517 83 53-00	BLADE		1
71	516 63 07-00	PULLEY		1

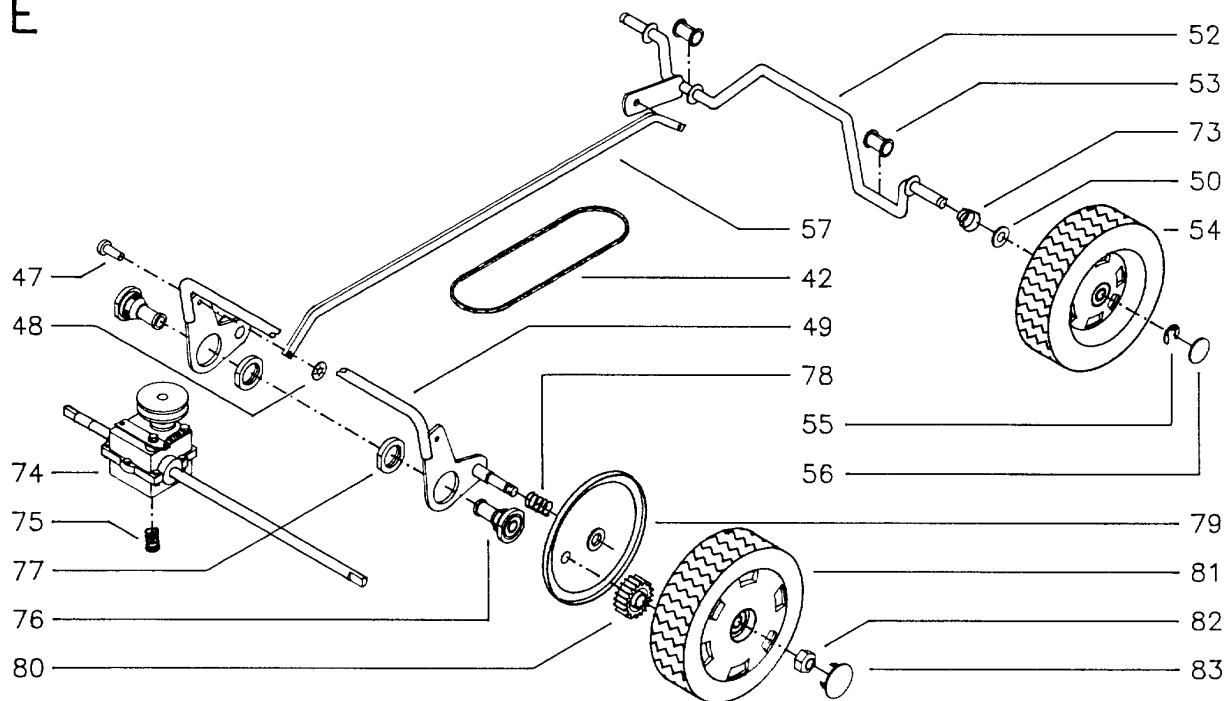


FRAME

MASTER PRO S BRIGGS & STRATTON, 1998-05

Ref	Part No	Description	Remark	QTY KIT
32	516 43 46-01	HANDLE BRACKET		1
14	732 21 18-01	LOCK NUT		1
69	516 93 15-23	RING		1
65	725 23 76-51	SCREW EHHM		1
66	516 49 53-01	SPACER		1
19	516 44 91-01	WASHER		1
20	732 21 16-01	LOCK NUT		1
67	729 54 22-01	SCREW CRPANT		1
68	517 83 55-07	COVER		1
5	725 23 68-51	SCREW		1
4	516 64 34-01	PLATE		1
20	732 21 16-01	LOCK NUT		1
31	727 64 55-01	SCREW RSQM		1
30	515 13 98-55	BEARING HOLDER		1
14	732 21 18-01	LOCK NUT		1
41	725 23 74-56	SCREW EHHM		1
19	516 44 91-01	WASHER		1
14	732 21 18-01	LOCK NUT		1
17	734 11 63-01	WASHER		1
40	517 83 52-07	COVER		1
29	725 24 63-51	SCREW EHHM		1
39	516 94 02-00	DAMPER		1
38	515 70 08-90	SCREW		1
37	516 92 04-00	HUB CAP		1
36	516 49 37-11	ADAPTER		1
28	516 93 98-00	WASHER		1
27	516 64 40-02	WASHER		1
17	734 11 63-01	WASHER		1
34	725 24 49-51	SCREW		1
33	516 43 47-01	HANDLE BRACKET		1
31	727 64 55-01	SCREW RSQM		1
14	732 21 18-01	LOCK NUT		1

E



WHEELS & TIRES

MASTER PRO S BRIGGS & STRATTON, 1998-05

Ref	Part No	Description	Remark	QTY KIT
47	516 93 17-01	BOLT		1
48	516 93 42-00	WASHER		1
74	516 93 99-00	GEARBOX		1
75	516 44 06-01	SPRING		1
77	516 93 31-01	NUT		1
76	516 71 37-01	HOLDER		1
80	516 87 16-00	GEAR		1
56	515 11 60-40	LOCKWASHER		1
55	516 90 51-00	RING		1
78	516 63 02-01	SPRING		1
49	516 71 39-01	SHAFT		1
42	516 93 41-00	BELT		1
57	516 64 38-01	ROD		1
83	516 84 97-11	DISC		1
82	732 21 20-31	NUT		1
81	516 82 06-00	WHEEL		1
79	516 87 15-09	SHIELD		1
54	516 82 53-08	WHEEL		1
50	516 44 07-01	WASHER		1
73	515 11 84-58	SPRING		1
53	515 10 46-34	WHEEL BRG		1
52	516 71 63-01	SHAFT		1