

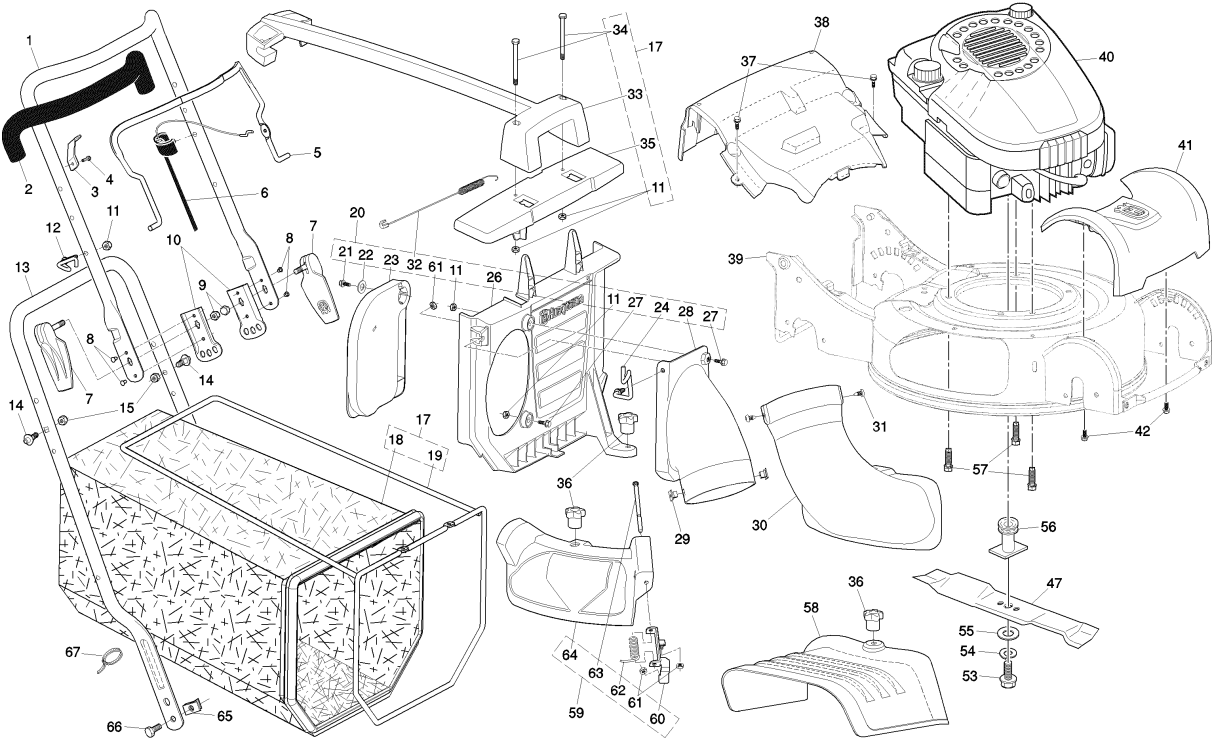


# SPARE PARTS LIST

LAWN MOWERS: COMMERCIAL  
WALK-BEHINDS

R145, 96131002103, 2009-01

ROTARY LAWN MOWER - - MODEL NUMBER R 145 (96131002103) PRODUCT NUMBER 961 41 00-21

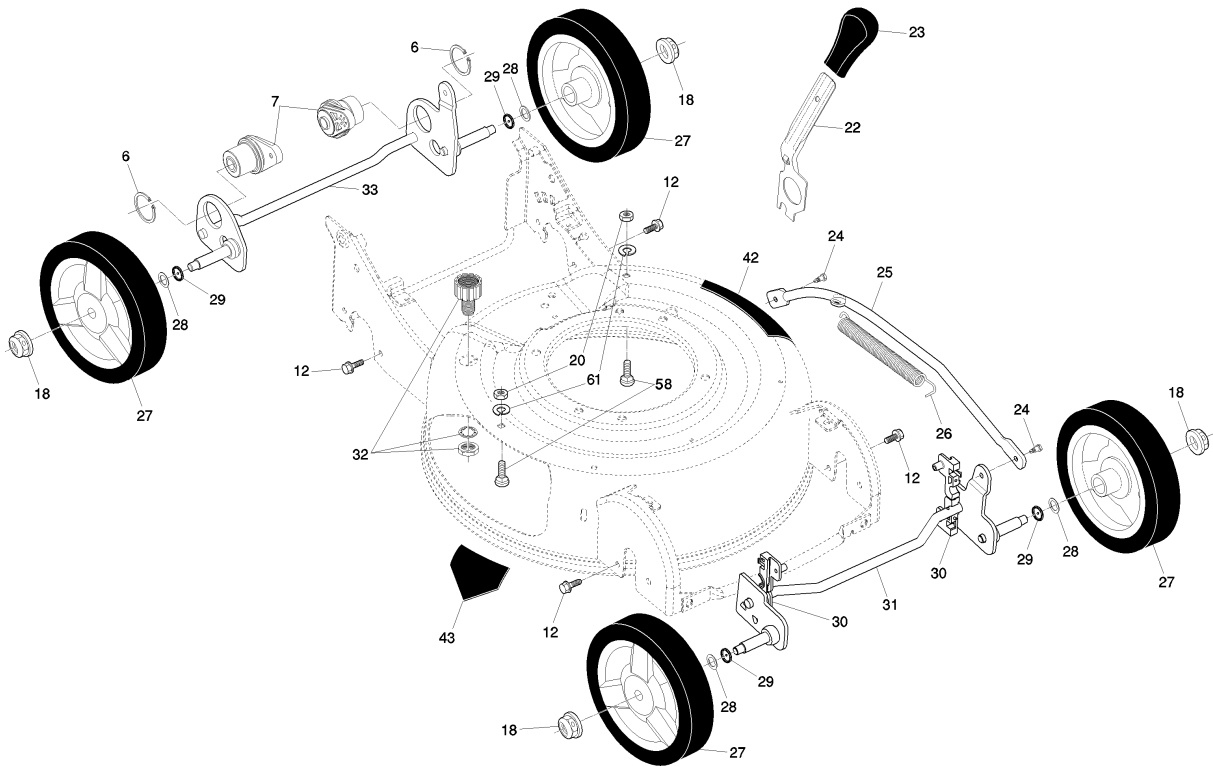


## FRAME &amp; ENGINE

R145, 96131002103, 2009-01

Ref	Part No	Description	Remark	QTY KIT
1	532 40 06-04	HANDLE		1
2	532 18 63-62	GRIP, FOAM		1
3	532 12 52-03	BRACKET		1
4	532 75 06-34	SCREW		1
5	532 18 62-98	LEVER		1
6	532 19 77-40	CABLE		1
7	532 41 35-07	KNOB		1
8	532 19 96-97	RIVET		1
9	532 40 04-13	NUT		1
10	532 41 35-34	BRACKET		1
11	532 13 20-04	NUT		1
12	532 19 47-88	GUIDE		1
13	532 41 35-35	HANDLE		1
14	532 19 92-55	PEN		1
15	532 75 11-53	NUT		1
17	532 40 01-36	BAG		1
18	532 19 92-73	BAG		1
19	532 19 92-78	FRAME		1
20	532 40 01-35	CHUTE		1
21	532 16 34-09	SCREW		1
22	532 05 38-47	WASHER		1
23	532 41 35-08	WINDOW		1
24	532 40 86-52	GUIDE		1
26	532 41 35-09	HOUSING		1
27	532 40 13-69	BOLT		1
28	532 41 35-10	CHUTE		1
29	532 19 97-27	GROMMET		1
30	532 41 35-11	CHUTE		1
31	532 19 98-55	SCREW		1
32	532 40 14-02	SPRING		1
33	532 41 35-36	HANDLE		1
34	871 09 04-48	SCREW		1
35	532 41 35-12	ADAPTER		1
36	532 18 34-47	KNOB		1
37	532 19 94-22	SCREW		1
38	532 41 35-13	DRIVE COVER		1
39	532 41 38-03	KIT		1
41	532 41 35-14	FRONT COVER		1
42	532 19 41-89	SCREW		1
47	532 19 92-43	MOWER BLADE		1
53	532 19 17-60	SCREW		1
54	532 85 02-63	WASHER		1
55	532 85 10-74	WASHER		1
56	532 19 92-49	ADAPTER		1
57	532 15 04-06	BOLT		1
59	532 40 93-14	HOUSING		1
60	532 19 92-68	BRACKET		1
61	532 19 17-30	NUT		1
62	532 18 34-46	SPRING		1
63	532 18 34-45	PIN		1
64	532 41 35-18	HOUSING		1
65	532 40 40-08	NUT		1
66	532 85 09-99	BOLT		1
67	532 06 64-26	HOOP		1

ROTARY LAWN MOWER -- MODEL NUMBER R 145 (96131002103) PRODUCT NUMBER 961 41 00-21



## DRIVE

R145, 96131002103, 2009-01

Ref	Part No	Description	Remark	QTY KIT
6	812 00 00-12	RETAINER RING		1
7	532 19 92-45	AXLE		1
12	532 16 34-09	SCREW		1
18	532 40 91-48	NUT		1
20	532 40 01-00	NUT		1
22	532 41 35-19	LEVER		1
24	532 40 70-59	SHOULDER BOLT SEMI GIMLET PT.		1
25	532 40 71-42	ROD		1
26	532 40 96-16	SPRING		1
27	532 41 08-31	WHEEL		1
28	532 08 83-48	WASHER		1
29	532 19 74-80	O-RING		1
30	532 41 35-20	BEARING		1
31	532 41 40-71	AXLE		1
32	532 40 00-94	CONNECTION		1
33	532 41 40-72	SHAFT		1
42	532 19 99-12	DECAL		1
43	532 18 21-66	DECAL		1
58	872 11 04-07	BOLT		1
61	532 85 02-63	WASHER		1