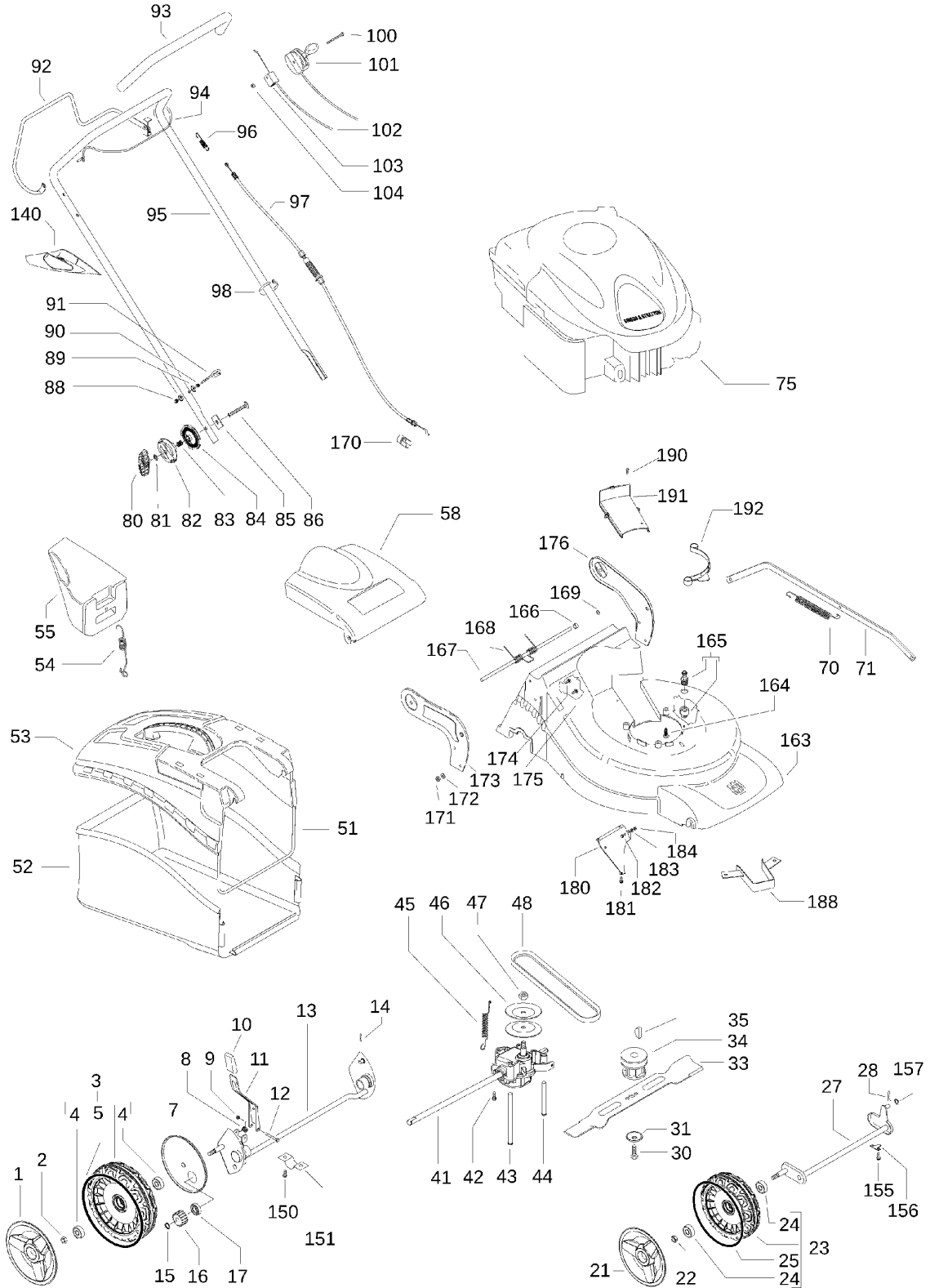




SPARE PARTS LIST

LAWN MOWERS: COMMERCIAL
WALK-BEHINDS

R150 S, 96515950101, 2009-01



PRODUCT COMPLETE

R150 S, 96515950101, 2009-01

Ref	Part No	Description	Remark	QTY KIT
1	544 44 39-01	HUB CAP		2
2	504 85 78-01	NUT		2
3	502 44 56-01	WHEEL ASSY		2
4	504 54 82-01	BALL BEARING		2
5	544 43 28-01	O-RING		2
7	504 82 73-01	DUST COVER		2
8	531 21 08-17	SPRING		1
9	531 20 84-92	NUT		2
10	531 20 79-86	KNOB		1
11	501 97 99-01	LIFTING LEVER ASSY		1
12	538 23 58-07	SCREW		1
13	504 80 01-01	REAR AXLE		1
14	531 20 66-53	PIN		1
15	531 20 87-72	WASHER		2
16	544 34 23-01	PINION		2
17	531 20 87-78	BEARING		2
21	544 44 40-01	HUB CAP		1
22	504 85 78-01	NUT		2
23	502 44 50-01	WHEEL ASSY		2
24	504 54 82-01	BALL BEARING		2
25	544 43 31-01	O-RING		2
27	504 85 65-01	FRONT AXLE ASSY		1
28	531 20 66-53	PIN		1
30	531 20 66-49	SCREW		1
31	531 20 72-37	WASHER		1
33	504 11 33-10	BLADE		1
34	531 20 78-48	SUPPORT		1
35	505 29 09-01	KEY		1
41	544 42 89-03	GEARBOX		1
42	510 03 75-01	SCREW		2
43	504 10 32-01	BELT GUIDE		1
44	544 93 43-01	BELT GUIDE		1
45	544 93 47-01	SPRING		1
46	504 54 79-01	PULLEY		2
47	504 54 80-01	NUT		2
48	504 03 51-01	BELT		1
51	501 32 24-01	FRAME		1
52	531 21 32-11	BAG		1
53	501 32 21-01	COVER		1
54	531 20 58-31	SPRING		1
55	531 21 32-26	PLUG		1
58	501 32 23-05	DEFLECTOR		1
70	531 20 57-15	SPRING		1
71	531 21 33-78	ROD		1
80	531 20 58-40	KNOB		2
81	531 20 49-22	WASHER		2
82	531 21 14-74	SEGMENT		2
83	531 21 14-76	SPRING		2
84	531 21 14-73	SEGMENT		2
85	531 21 15-81	PLATE		2
86	531 21 14-80	SCREW		2
88	531 20 84-91	NUT		2
89	531 20 49-61	WASHER		4
90	531 20 71-65	NUT		2
91	531 20 51-69	PIN RETAINING SCREW		2
92	531 21 26-76	LOOP		1
93	531 21 07-25	PROTECTOR		1
94	531 20 58-63	LOOP		1
95	531 21 20-39	HANDLE		1
96	531 21 05-73	SPRING		1
97	544 90 80-03	CABLE		1
98	531 20 55-81	CLIP		2
100	531 21 35-17	SCREW		1
101	531 21 34-91	CONTROL		1

PRODUCT COMPLETE

R150 S, 96515950101, 2009-01

Ref	Part No	Description	Remark	QTY KIT
102	531 21 35-22	BRAKE WIRE		1
103	531 20 80-43	BRACKET		1
104	531 20 80-63	NUT		1
140	544 89 93-01	TOOL		1
150	531 20 73-85	SCREW		4
151	531 20 66-52	SUPPORT		2
155	531 20 78-56	SCREW		4
156	531 20 55-36	SUPPORT		2
157	531 20 49-06	WASHER		1
163	531 21 34-93	CHASSIS		1
164	531 21 38-45	SCREW		3
165	531 20 58-48	CONNECTOR		1
166	531 21 19-66	SPACER		1
167	531 21 33-44	SHAFT		1
168	501 32 25-01	SPRING		1
169	531 20 76-57	RETAINING RING		2
170	510 41 73-01	BUSHING		1
171	531 20 79-82	NUT		4
172	531 20 79-81	WASHER		4
173	531 21 20-46	PLATE		1
174	531 20 57-41	SCREW		3
175	531 20 49-21	SCREW		1
176	531 21 33-66	BRACKET		1
180	501 96 60-01	DEFLECTOR		1
181	531 20 78-56	SCREW		2
182	531 20 78-38	SCREW		1
183	531 20 66-66	WASHER		1
184	531 20 84-92	NUT		1
188	544 46 86-01	BELT GUIDE		1
190	531 20 78-56	SCREW		2
191	531 21 32-25	COVER		1
192	531 20 63-08	PAWL		1