

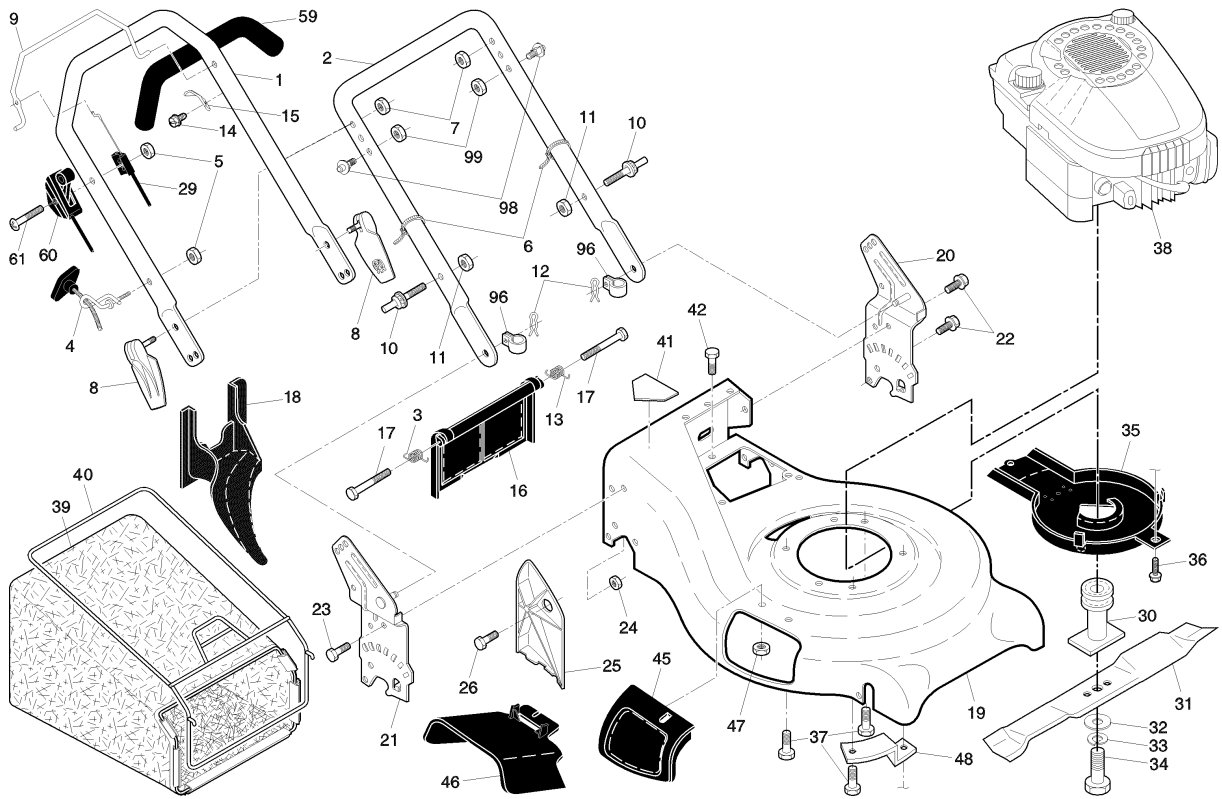


SPARE PARTS LIST

LAWN MOWERS: COMMERCIAL
WALK-BEHINDS

R52 S, 96141006006, 2008-08

ROTARY LAWN MOWER - - MODEL NUMBER R 52S (96141006006) PRODUCT NUMBER 961 41 00-60

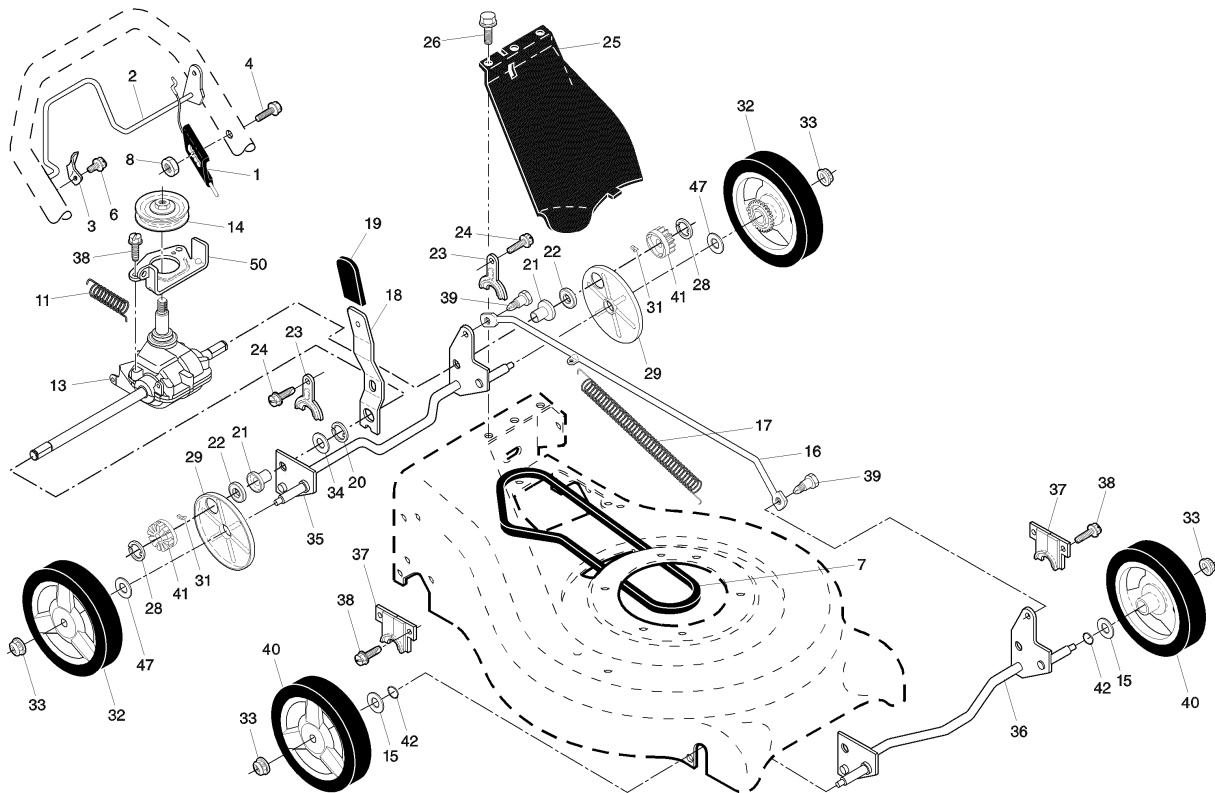


FRAME & ENGINE

R52 S, 96141006006, 2008-08

Ref	Part No	Description	Remark	QTY KIT
1	532 42 08-35	HANDLE HALF		1
2	532 41 67-03	HANDLE		1
3	532 40 54-16	SPRING		1
4	532 19 47-88	GUIDE		1
5	532 13 20-04	NUT		1
6	532 06 64-26	HOOP		1
7	532 40 04-13	NUT		1
8	532 41 35-07	KNOB		1
9	532 41 10-83	CONTROL LEVER		1
10	532 18 88-21	BOLT		1
11	532 75 11-53	NUT		1
12	532 05 17-93	PIN		1
13	532 40 54-15	SPRING		1
14	532 75 06-34	SCREW		1
15	532 12 51-62	PLATE		1
16	532 40 88-88	DEFLECTOR		1
17	532 18 41-93	BOLT		1
18	532 19 81-70	PLUG		1
19	532 40 80-00	KIT.HGS.21.RGD.MC.ORG.*SUBS/2*		1
20	532 41 82-39	BRACKET.HNDL.ASM.21.RWGD.LT		1
21	532 41 82-51	BRACKET.HNDL.ASM.21.RWGD.RT		1
22	817 00 05-12	SCREW		1
23	532 16 31-83	BOLT		1
24	873 80 05-00	LOCK NUT		1
25	532 16 13-33	PLATE		1
26	532 16 34-09	SCREW		1
29	532 13 31-07	WIRE		1
30	532 18 91-79	ADAPTER		1
31	532 19 93-77	MOWER BLADE		1
32	532 85 10-74	WASHER		1
33	532 85 02-63	WASHER		1
34	532 85 10-84	SCREW		1
35	532 40 58-43	SHEILD		1
36	532 19 23-25	SCREW		1
37	532 15 04-06	BOLT		1
39	532 41 04-68	GBAG.94710060.STGRY.GE*SUBS/2*		1
40	532 41 19-51	FRAME		1
41	532 18 21-66	DECAL		1
42	817 06 04-10	SCREW		1
45	532 19 05-10	DOOR		1
46	532 19 05-12	DEFLECTOR		1
47	532 08 83-49	NUT		1
48	532 19 09-39	MOUNTING BRACKET, DEBRI		1
59	532 16 42-65	HANDLE		1
60	532 42 06-10	THROTTLE CONTROL		1
61	532 18 33-65	SCREW		1
96	532 19 79-91	CLIP		1
98	532 19 92-55	PEN		1
99	532 75 11-53	NUT		1
-	532 18 21-34	DECALC."WARNING"		1

ROTARY LAWN MOWER - - MODEL NUMBER R 52S (96141006006) PRODUCT NUMBER 961 41 00-60



DRIVE

R52 S, 96141006006, 2008-08

Ref	Part No	Description	Remark	QTY KIT
1	532 40 65-31	CABLE		1
2	532 41 78-21	DRIVE CONTROL		1
3	532 16 45-57	STOP		1
4	532 19 96-87	SCREW		1
6	532 75 06-34	SCREW		1
7	532 40 65-57	BELT		1
8	532 19 17-30	NUT		1
11	532 40 65-58	SPRING		1
13	532 41 92-13	GEARBOX ASSY		1
14	532 40 57-03	PULLEY		1
15	532 08 83-48	WASHER		1
16	532 40 71-47	ROD		1
17	532 40 96-16	SPRING		1
18	532 41 88-66	SPRING		1
19	532 19 00-69	KNOB		1
20	812 00 00-22	RETAINER RING		1
21	532 41 24-50	BEARING SUPPORT		1
22	532 19 10-39	BEARING		1
23	532 16 45-55	BRACKET		1
24	817 06 04-10	SCREW		1
25	532 40 07-83	COVER		1
26	532 75 06-34	SCREW		1
28	812 00 00-58	E-CLIP		1
29	532 18 94-03	DUST COVER		1
31	532 40 48-45	PAWL, DRIVE		1
32	532 41 31-05	WHEEL & TIRE ASSY, REAR		1
33	532 40 91-48	NUT		1
34	532 85 12-26	WASHER		1
35	532 41 09-22	SHAFT		1
36	532 41 09-33	SHAFT		1
37	532 16 14-63	BRACKET		1
38	532 16 34-09	SCREW		1
39	532 40 70-59	SHOULDER BOLT SEMI GIMLET PT.		1
40	532 41 08-31	WHEEL		1
41	532 40 48-35	PINION		1
42	532 19 74-80	O-RING		1
47	532 06 77-25	WASHER		1
50	532 41 37-22	BRACKET.BELT.KEEPE/AUT*SUBS/2*		1