

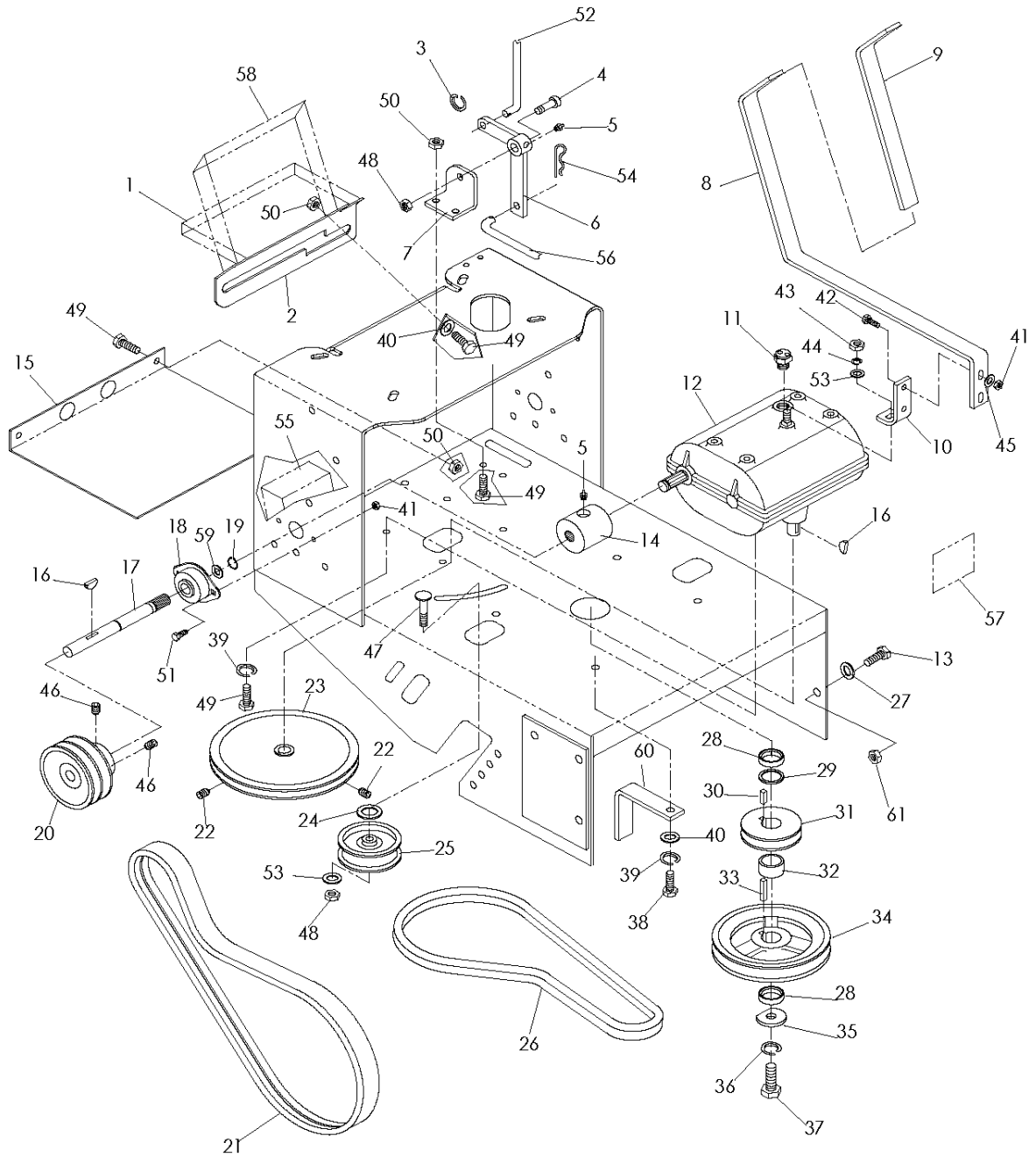


# SPARE PARTS LIST

LAWN MOWERS: COMMERCIAL  
WALK-BEHINDS

W3213P, 968999364, 2008-06

# CHASSIS / FRAME

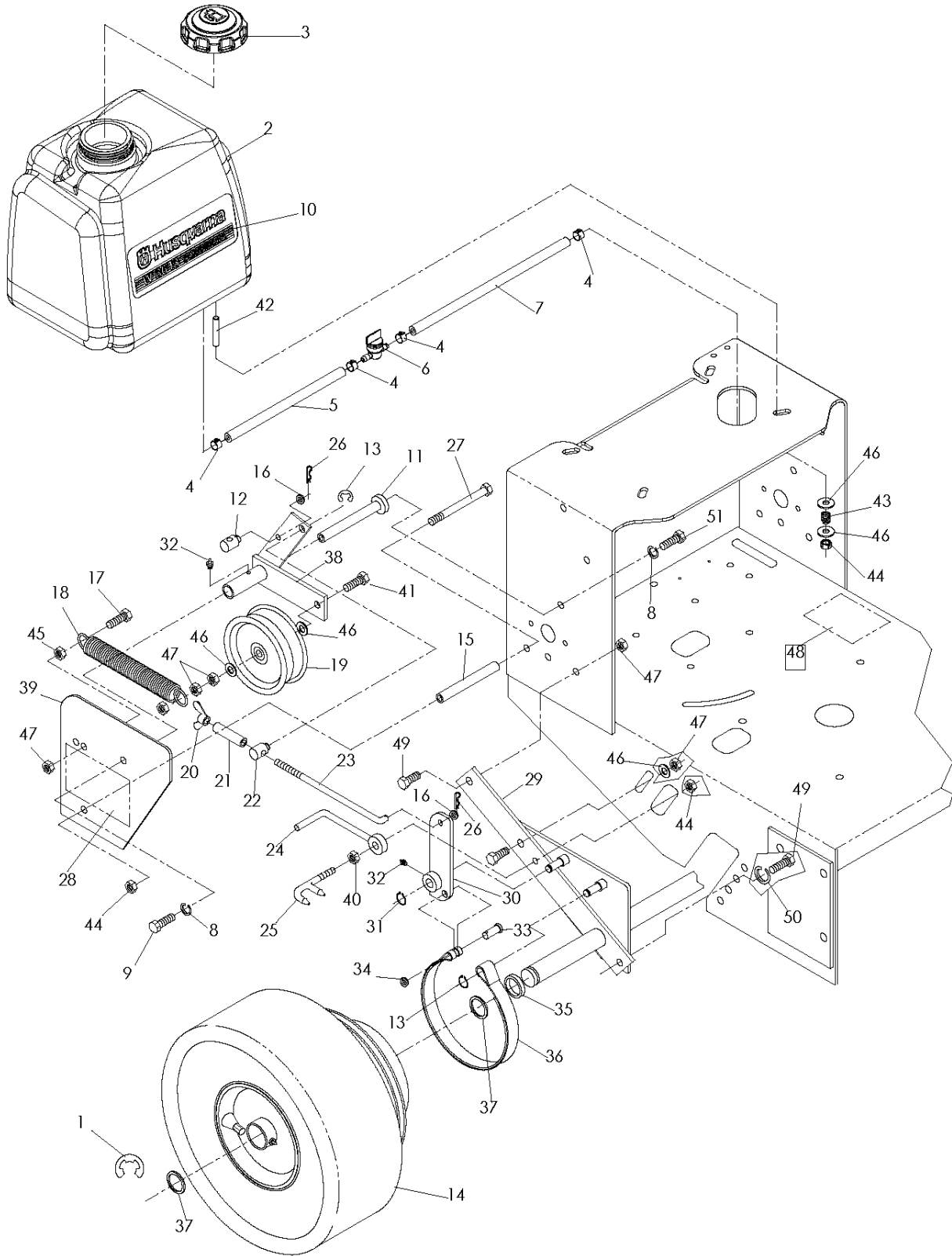


## CHASSIS / FRAME

W3213P, 968999364, 2008-06

Ref	Part No	Description	Remark	QTY KIT
1	539 10 02-77	DECAL		1
2	539 10 19-60	SHIFTER PLATE		1
3	539 91 64-59	RETAINER		1
4	539 10 01-50	SB 12C X 34		1
5	539 97 69-98	NIPPLE		3
6	539 10 00-66	BELLCRANK		1
7	539 10 46-48	BRACKET		1
8	539 10 19-61	SHIFTER ARM		1
9	539 10 19-65	SHIFTER GRIP		1
10	539 10 21-65	SHIFTER BRACKET		1
11	539 10 01-48	SWITCH, TRANS		1
12	539 10 21-62	TRANSMISSION		1
13	539 10 11-75	SCREW		6
14	539 10 21-64	COUPLING		2
15	539 10 45-47	BRACKET		1
16	539 91 02-11	KEY, #9 WOODRUFF		3
17	539 10 21-63	DRIVE SHAFT		2
18	539 10 19-67	BEARING		2
19	539 10 19-71	RETAINER RING		2
20	539 10 19-54	PULLEY	"36, 48"	2
20	539 10 21-54	DRIVE PULLEY (32)	32	2
21	539 11 08-59	BELT	"36, 48"	2
21	539 10 21-49	BELT	32	2
22	539 10 19-88	SETSCREW, 1/4-20 NYLOC		2
23	539 10 19-64	PULLEY, INPUT		1
24	539 11 18-97	WASHER, 3/8, SPEC		1
25	539 91 90-78	PULLEY		1
26	539 10 19-57	BELT		1
27	539 10 48-64	WASHER 7/16 FLAT ZD		6
28	539 92 19-60	SPACER		2
29	539 10 20-50	BUSHING		1
30	539 10 57-18	SQUARE KEY - 1/4 X .5		1
31	539 91 91-48	PULLEY		1
32	539 10 17-20	SPACER		1
33	539 10 19-95	KEY		1
34	539 10 18-34	PULLEY, ENGINE		1
35	539 10 65-04	WASHER		1
36	539 99 02-47	WASHER		1
37	539 10 01-41	SCREW		1
38	539 10 05-67	HCS M8-1.25X30MM GD8.8 ZD		4
39	539 99 01-87	WASHER		8
40	539 99 06-92	WASHER		6
41	539 99 07-61	NUT		6
42	539 97 77-61	SCREW		2
43	539 99 01-55	NUT		1
44	539 99 01-18	WASHER		1
45	539 99 05-98	WASHER		2
46	539 97 69-56	SCREW		4
47	539 10 01-45	RHSNB 3/8C X 2		1
48	539 99 05-46	NUT		2
49	539 97 69-34	SCREW		10
50	539 99 01-84	NUT		6
51	539 99 00-72	SCREW		4
52	539 10 19-72	BLADE ROD		1
53	539 99 05-17	WASHER		2
54	539 97 69-89	SPLIT PIN		1
55	539 10 57-44	DECAL		1
56	539 10 20-48	BLADE ROD 36"		1
57	539 10 01-28	DECAL		1
58	539 10 20-47	DECAL		1
59	539 99 10-43	BUSHING		2
60	539 10 34-62	BELT GUIDE		1
61	539 99 08-39	NUT		6
	539 10 20-36	BELT GUIDE	NOT SHOWN	1
	539 10 34-63	BELT GUIDE	NOT SHOWN	1

# DRIVE



## DRIVE

W3213P, 968999364, 2008-06

Ref	Part No	Description	Remark	QTY KIT
1	539 91 27-30	E-RING 1"		2
2	539 10 56-30	FUEL TANK		1
3	539 10 61-88	TANK CAP - ANTI		1
4	539 91 22-22	CLAMP		4
5	539 93 29-56	GAS LINE 10"		1
6	539 91 63-25	VALVE		1
7	539 10 49-93	GAS LINE - 14"		1
8	539 99 01-87	WASHER		4
9	539 99 02-09	SCREW		4
10	539 11 10-56	DECAL		1
10	539 10 48-29	DECAL		1
10	539 10 48-31	DECAL		1
11	539 10 21-88	SHOULDER PIVOT TUBE		2
12	539 97 64-34	SWIVEL (SHORT)		2
13	539 99 08-70	RING		4
14	539 10 47-15	WHEEL ASM	"32"" W/BRAKE DRUM & PULLEY"	2
15	539 10 19-92	SPACER		2
16	539 99 06-92	WASHER		12
17	539 97 69-41	SCREW		2
18	539 10 19-77	SPRING		2
19	539 10 19-55	PULLEY		2
20	539 10 02-76	WINGNUT, 5/16C NYLOC		2
21	539 10 00-97	SPACER		2
22	539 10 19-40	SWIVEL		2
23	539 10 19-39	BRAKE ROD		2
24	539 10 19-73	BELT GUIDE		2
25	539 10 20-35	SCRAPER	"36, 48"	2
25	539 10 21-55	SCRAPER	32	2
26	539 97 69-88	PIN RETAINING SCREW	#2	4
27	539 99 01-45	BOLT		2
28	539 11 10-54	DECAL		2
29	539 10 19-31	AXLE WELDMENT (36 & 48)	"36, 48"	1
29	539 10 21-52	AXLE WELDMENT (32)	32	1
30	539 10 19-34	BRAKE ARM, RIGHT	RT	1
30	539 10 21-35	ARM	LT	1
31	539 10 19-49	RETAINER RING		2
32	539 97 69-98	NIPPLE		4
33	539 10 20-49	CLEVIS PIN		2
34	539 91 38-47	BOLT RETAINER 3/8		2
35	539 92 19-60	SPACER		2
36	539 10 19-45	BRAKE BAND		2
37	539 91 65-61	MACHINE BUSHING		4
38	539 10 21-68	IDLER PLATE, RIGHT	RT	1
38	539 10 21-69	IDLER PLATE, LEFT	LT	1
39	539 10 19-69	FENDER		2
40	539 99 05-85	NUT		2
41	539 10 13-50	TAPBOLT, 3/8C X 3		2
42	539 10 25-02	STUD		4
43	539 10 28-45	SPRING		4
44	539 99 01-84	NUT		4
45	539 99 06-13	NUT		2
46	539 99 05-17	WASHER		8
47	539 99 05-46	NUT		12
48	539 10 18-81	DECAL		1
49	539 99 05-63	SCREW		6
50	539 99 01-18	WASHER		2



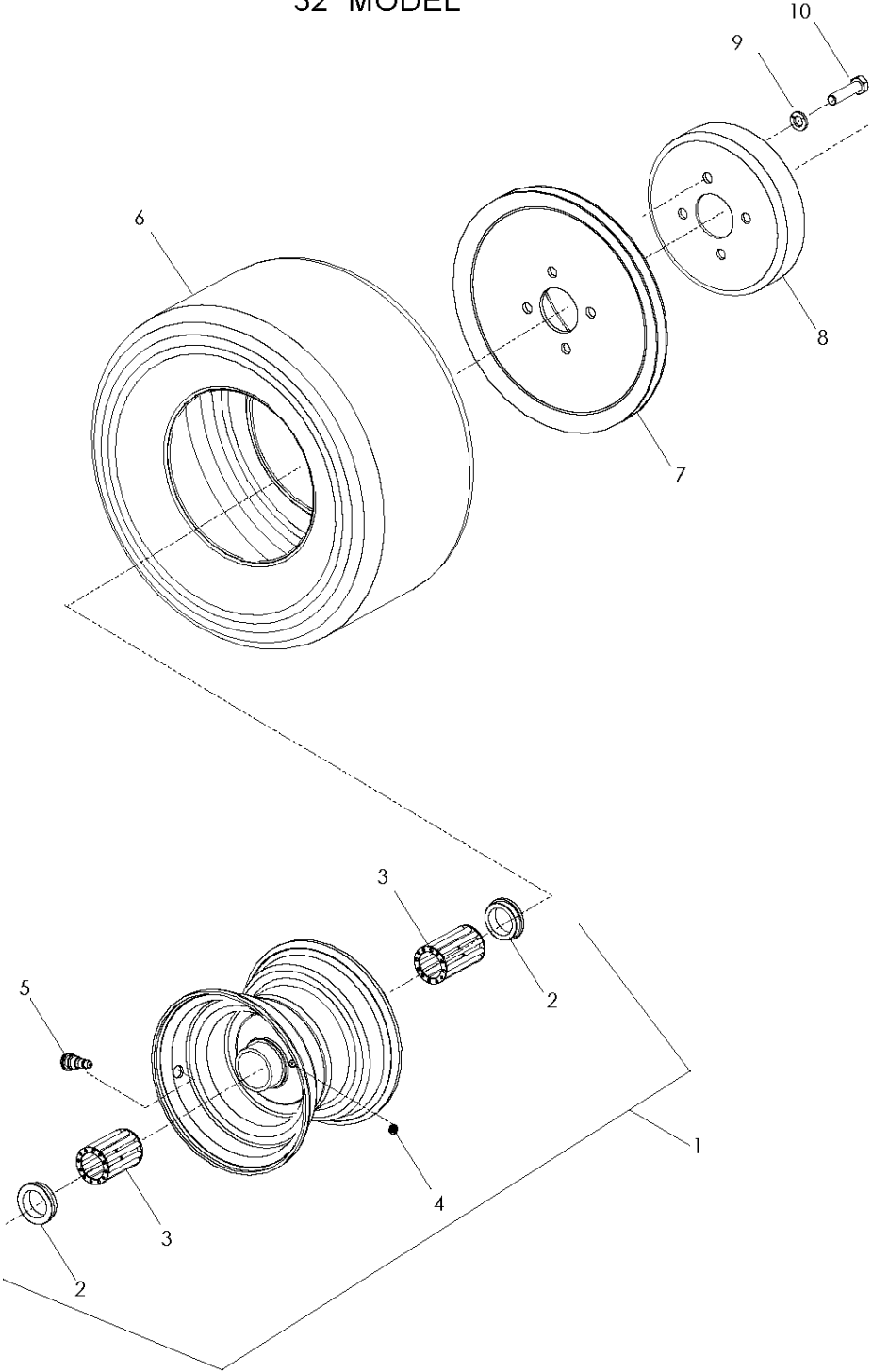
## HANDLE &amp; CONTROLS

W3213P, 968999364, 2008-06

Ref	Part No	Description	Remark	QTY KIT
1	539 99 00-55	WASHER 1/4 SAE		13
2	539 97 63-87	LATCH, LT. THUMB W/GRIP	LT	1
2	539 97 63-88	LATCH, RT.THUMB W/GRIP	RT	1
3	539 97 69-83	WASHER		2
4	539 99 10-03	BOLT		2
5	539 97 78-84	PIN		2
6	539 97 78-86	BUSHING		4
7	539 97 78-57	LEVER O P W/GRIP		2
8	539 10 02-85	DECAL		2
9	539 91 47-34	NUT, PUSH		2
10	539 99 07-61	NUT		5
11	539 97 64-88	GRIP		2
12	539 92 33-13	ROLL PIN 5/16 X 1.125		2
13	539 13 11-56	DRIVE LEVER		2
14	539 99 06-92	WASHER		2
15	539 10 19-86	TRACTION ROD		2
16	539 97 69-88	PIN RETAINING SCREW		2
17	539 10 19-63	THROTTLE CONTROL W/BALL		1
17	539 10 65-53	THROTTLE CABLE	MODEL 968999278	1
18	539 99 03-02	HWST 1/4C X 3/8		2
19	539 99 05-80	SCREW		3
20	539 99 06-55	SCREW		1
21	539 10 17-81	MODULE		1
22	539 10 19-84	HANDLE HARNESS		1
22	539 10 65-31	HANDLE HARNESS, KAW	MODEL 968999278	1
23	539 10 19-35	DECAL		1
24	539 97 65-26	HANDLE		1
25	539 10 00-82	LEVER		1
26	539 99 05-17	WASHER		2
27	539 10 12-19	WASHER		2
28	539 91 20-63	CONE WASHER		1
29	539 99 05-46	NUT		5
30	539 99 05-63	SCREW		4
31	539 97 74-65	BRACKET		1
32	539 91 64-59	RETAINER		1
33	539 97 77-03	PIN RETAINING SCREW		1
34	539 97 72-50	SPRING		2
35	539 91 90-98	SWITCH		3
36	539 10 18-01	LINKAGE, O P		2
37	539 97 69-52	SCREW		6
38	539 10 20-62	DECAL		1
39	539 10 18-91	DECAL		1
40	539 10 19-72	BLADE ROD		1
41	539 10 26-78	PLATE		3
	539 97 68-56	TIE WRAP	NOT SHOWN	4
	539 91 18-53	KEY SWITCH, COMPLETE	NOT SHOWN MODEL 968999278	1

# WHEELS AND TIRES

32" MODEL





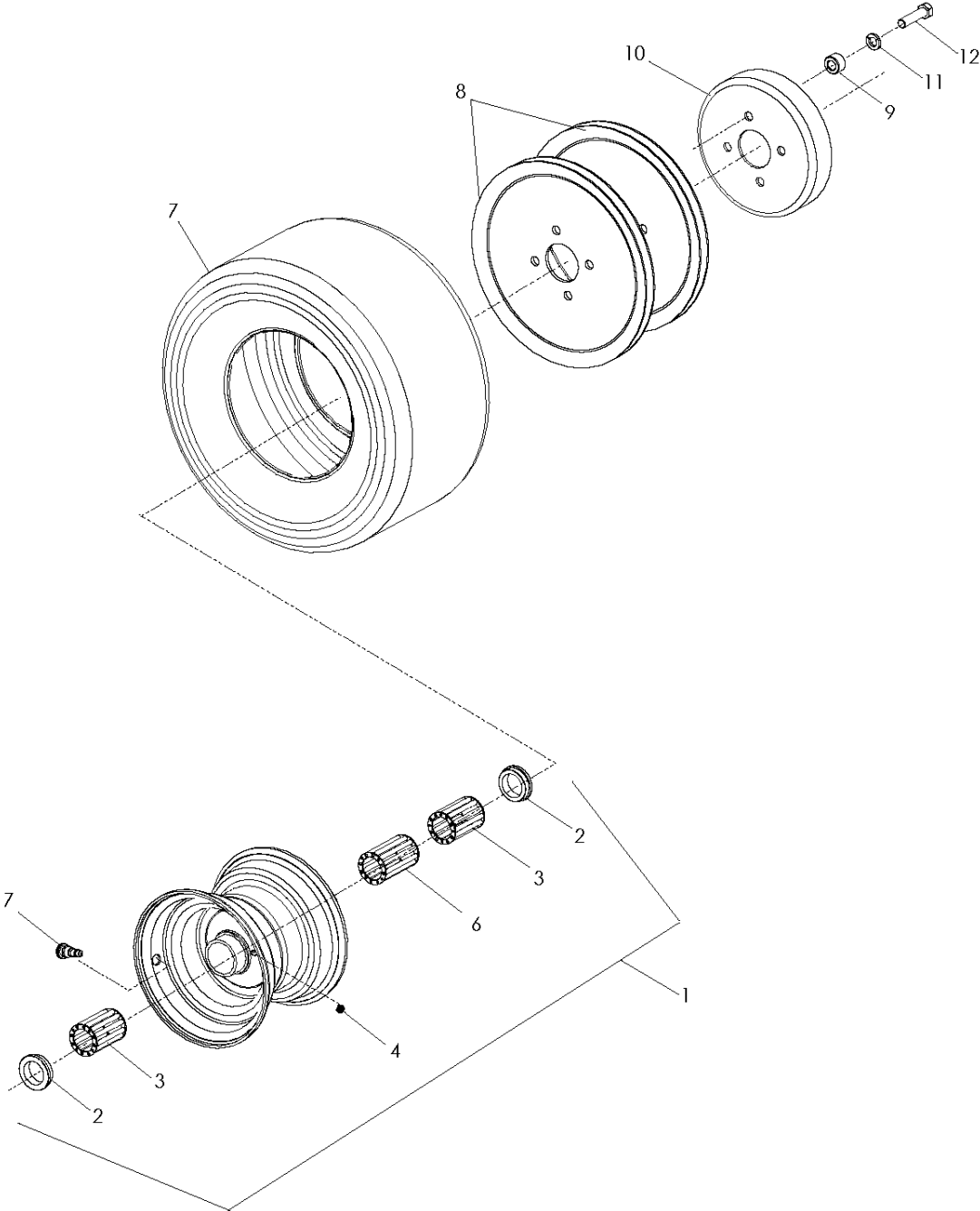
## WHEELS &amp; TIRES

W3213P, 968999364, 2008-06

Ref	Part No	Description	Remark	QTY	KIT
1	539 10 47-14	WHEEL ASM		1	2-6
2	539 10 03-95	END CAP		2	
3	539 10 03-93	ROLLER BEARING (LONG)		2	
4	539 97 69-98	NIPPLE		1	
5	539 91 22-34	VALVE		1	
6	539 97 72-22	TIRE		1	
7	539 97 65-22	PULLEY		1	
8	539 10 19-46	BRAKE DRUM		1	
9	539 99 01-18	WASHER		4	
10	539 97 77-48	BOLT		4	

# WHEELS AND TIRES

36" & 48" MODELS

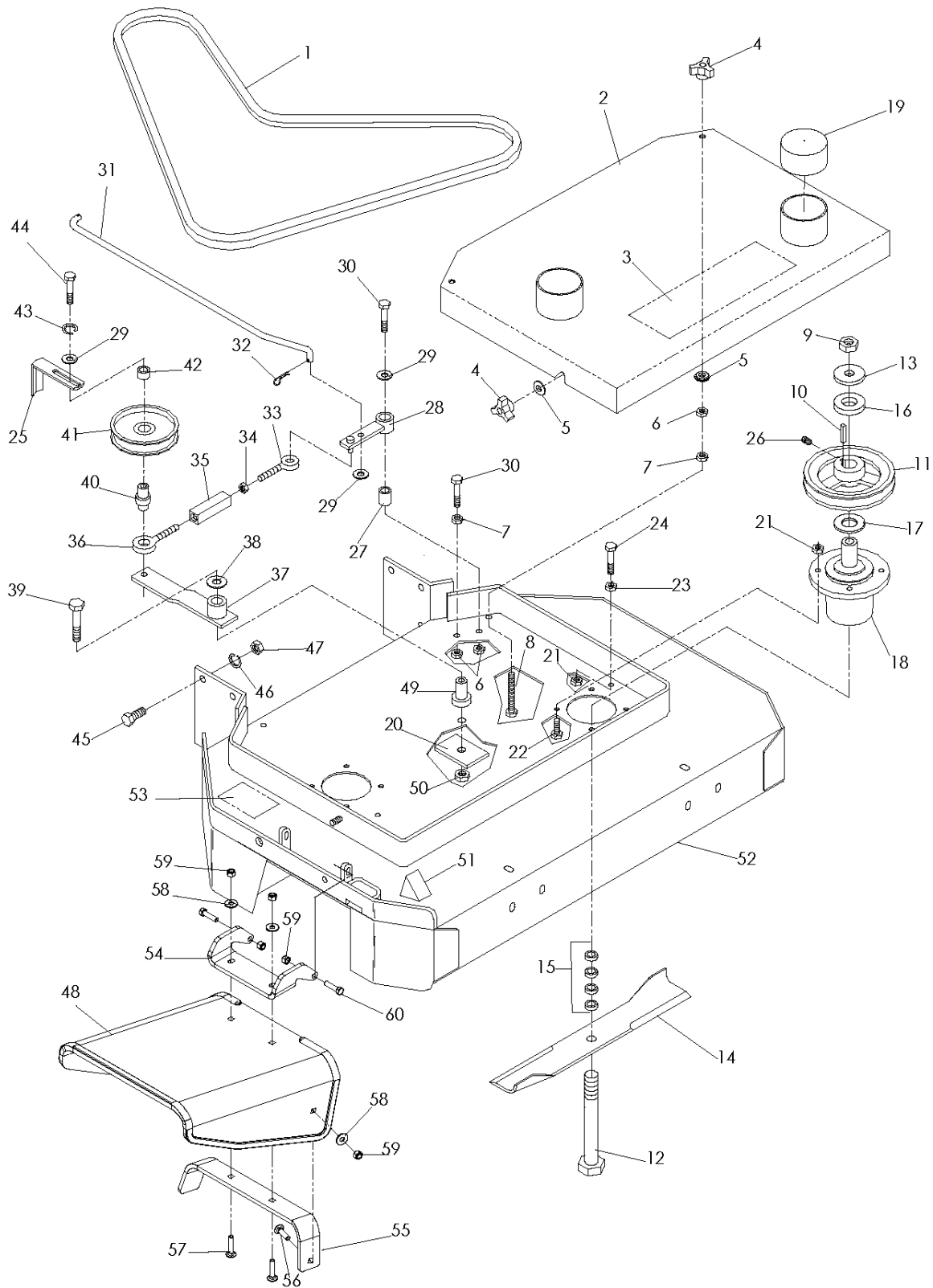


## WHEELS &amp; TIRES

W3213P, 968999364, 2008-06

Ref	Part No	Description	Remark	QTY KIT
1	539 10 47-58	WHEEL ASM		1
2	539 10 03-95	END CAP		2
3	539 10 21-61	ROLLER BEARING (SHORT)	SHORT	2
4	539 97 69-98	NIPPLE		1
5	539 10 03-93	ROLLER BEARING (LONG)	LONG	1
6	539 91 22-34	VALVE		1
7	539 93 84-73	PULLEY		2
8	539 92 35-15	SPACER		4
9	539 10 19-46	BRAKE DRUM		1
10	539 99 01-18	WASHER		4
11	539 99 01-64	HCS 3/8F X 1 1/2		4

### 32/36" CUTTING DECK

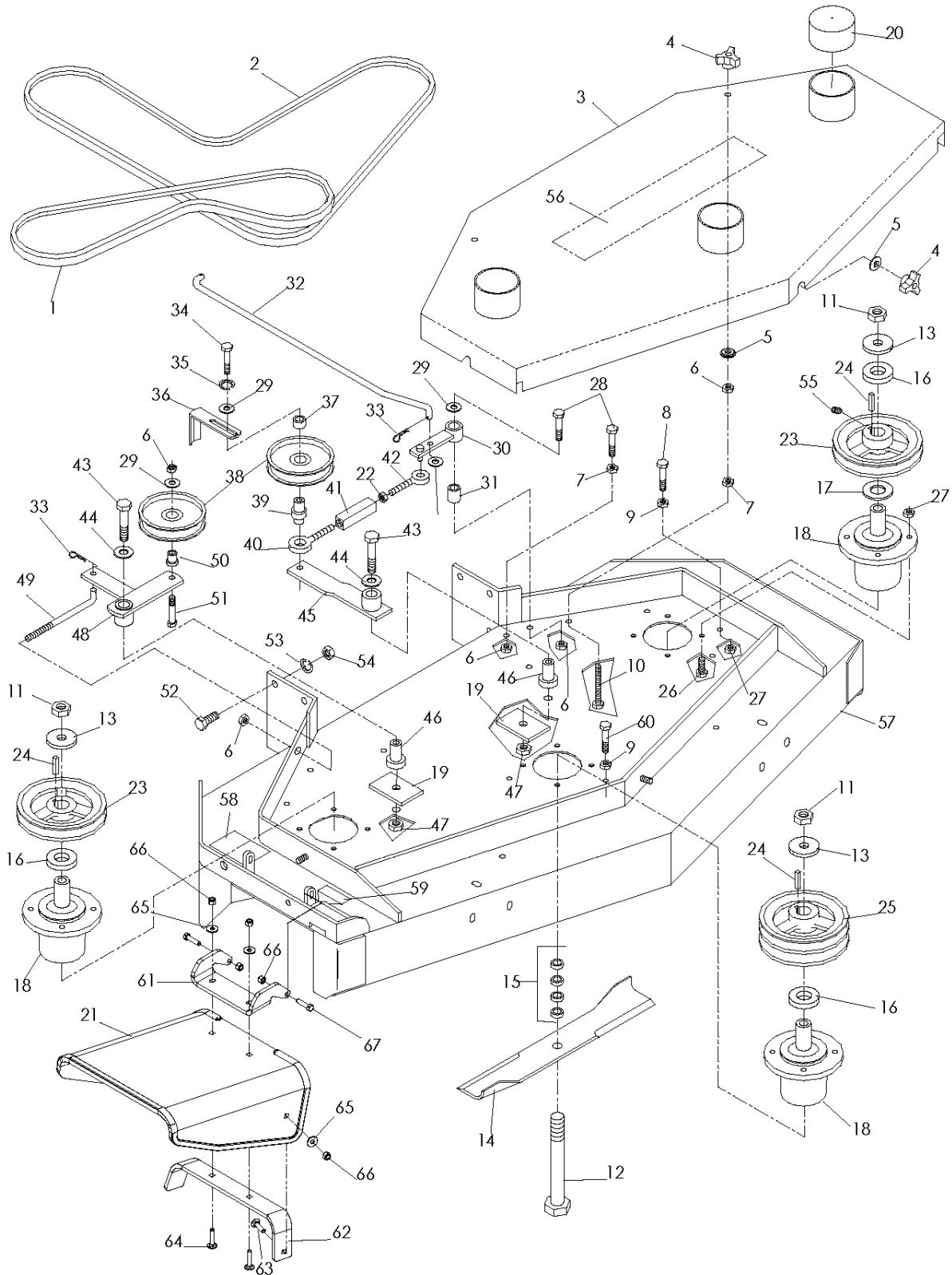


## MOWER DECK / CUTTING DECK

W3213P, 968999364, 2008-06

Ref	Part No	Description	Remark	QTY KIT
1	539 10 19-59	BELT	"36""	1
1	539 10 21-48	BELT	"32""	1
2	539 10 45-61	36" BELT SHIELD	"36""	1
2	539 10 46-50	32 BELT SHIELD	"32""	1
3	539 11 10-47	DECAL		1
4	539 10 20-70	KNOB, THREE PRONG		4
5	539 10 20-56	WASHER		4
6	539 99 05-46	NUT		4
7	539 99 06-13	NUT		3
8	539 10 23-34	TAPBOLT 3/8C X 4 1/2		2
9	539 97 69-80	NUT 5/8F HEX		2
10	539 10 19-95	KEY		2
11	539 97 63-98	PULLEY W/SETSCREWS		2
12	539 10 23-32	HCS 5/8F X 8 1/2		2
13	539 10 22-43	WASHER		2
14	539 10 03-41	BLADE	"36""	2
14	539 10 03-40	BLADE	"32""	2
15	539 97 64-36	SPACER		8
16	539 10 22-45	SPACER		2
17	539 10 26-75	BUSHING		2
18	539 10 74-18	HOUSING ASSY		2
19	539 10 23-20	TUBE CAP		2
20	539 10 22-36	PLATE	"NOT USED 32""	1
21	539 99 01-84	NUT		16
22	539 99 02-09	SCREW		10
23	539 99 05-85	NUT		6
24	539 99 05-53	HCS 5/16 X 3		6
25	539 10 00-75	SNUBBER		1
26	539 97 69-56	SCREW		4
27	539 10 18-36	BUSHING, SLEEVE		1
28	539 10 19-79	ENGAGEMENT ARM		1
29	539 99 05-17	WASHER		3
30	539 99 06-29	SCREW		2
31	539 10 20-48	BLADE ROD 36"		1
32	539 97 69-88	PIN RETAINING SCREW		1
33	539 10 19-82	BOLT		1
34	539 99 01-96	NUT		1
35	539 10 19-83	TURNBUCKLE		1
36	539 10 19-81	EYEBOLT, LH		1
37	539 10 19-78	ARM WELDMENT		1
38	539 99 05-50	WASHER		1
39	539 10 13-32	SCREW		1
40	539 10 19-80	EYEBOLT PIVOT		1
41	539 97 66-88	PULLEY		1
42	539 10 26-56	SPACER		1
43	539 99 01-18	WASHER		1
44	539 99 06-37	SCREW		1
45	539 10 11-75	SCREW		6
46	539 99 02-47	WASHER		6
47	539 99 04-49	NUT 7/16C HEX		6
48	539 13 09-03	CHUTE. RUBBER DISCHARGE WB		1
49	539 10 12-31	SPINDLE		1
50	539 10 13-31	NUT		1
51	539 91 30-10	DECAL		1
52	539 10 45-63	DECAL	"36""	1
52	539 10 46-20	DECAL	"32""	1
53	539 10 57-46	DECAL		1
54	539 13 09-16	PIVOT BRACKET - CHUTE		1
55	539 13 09-22	BRKT. REINF-CHUTE WB		1
56	539 10 04-72	SCREW		1
57	539 10 29-33	RHSNB 5/16-18 X 1-1/2 GR 5 ZD		1
58	539 99 06-92	WASHER		1
59	539 99 07-17	NUT		1
60	539 99 06-27	SCREW		1

# 48" CUTTING DECK

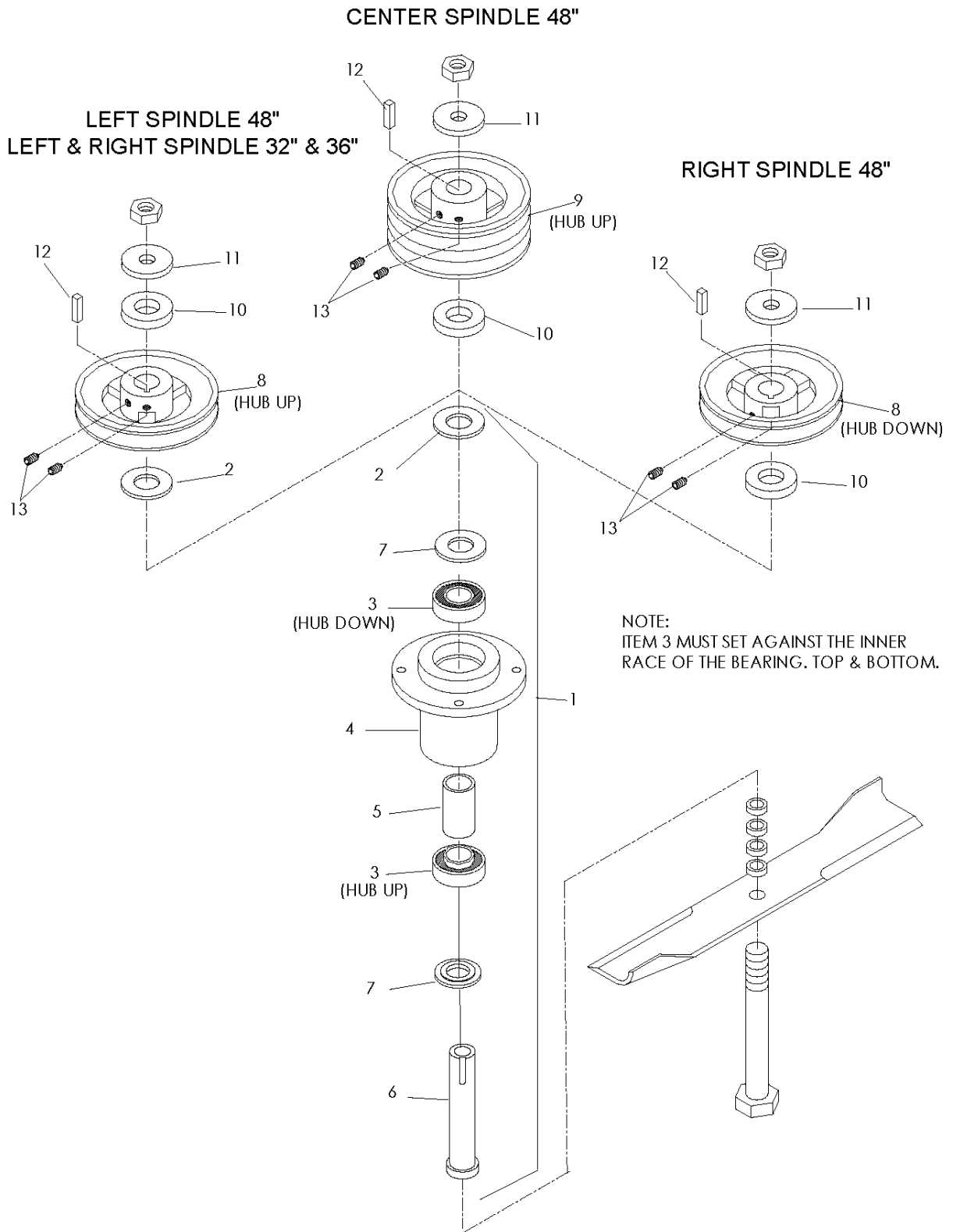


## MOWER DECK / CUTTING DECK

W3213P, 968999364, 2008-06

Ref	Part No	Description	Remark	QTY KIT
1	539 10 00-24	BELT		1
2	539 10 19-58	BELT		1
3	539 10 45-62	BELT SHIELD 48"		1
4	539 10 20-70	KNOB, THREE PRONG		5
5	539 10 20-56	WASHER		5
6	539 99 05-46	NUT		6
7	539 99 06-13	NUT		6
8	539 99 05-53	HCS 5/16 X 3		4
9	539 99 05-85	NUT		7
10	539 10 23-34	TAPBOLT 3/8C X 4 1/2		2
11	539 97 69-80	NUT 5/8F HEX		3
12	539 10 23-32	HCS 5/8F X 8 1/2		2
12	539 10 11-00	HCS 5/8F X 9	CENTER BLADE	1
13	539 10 22-43	WASHER		3
14	539 10 03-40	BLADE		3
15	539 97 64-36	SPACER		12
16	539 10 22-45	SPACER		3
17	539 10 26-75	BUSHING		1
18	539 10 74-18	HOUSING ASSY		3
19	539 10 22-36	PLATE		2
20	539 10 23-20	TUBE CAP		3
21	539 13 09-03	CHUTE. RUBBER DISCHARGE WB		1
22	539 99 01-96	NUT		1
23	539 97 63-98	PULLEY W/SETSCREWS		2
24	539 10 19-95	KEY		3
25	539 10 18-19	PULLEY, DOUBLE W/SETS		1
26	539 99 02-09	SCREW		14
27	539 99 01-84	NUT		21
28	539 99 06-29	SCREW		2
29	539 99 05-17	WASHER		4
30	539 10 19-79	ENGAGEMENT ARM		1
31	539 10 18-36	BUSHING, SLEEVE		1
32	539 10 20-31	BLADE ROD 48"		1
33	539 97 69-88	PIN RETAINING SCREW		2
34	539 99 06-37	SCREW		1
35	539 99 01-18	WASHER		1
36	539 10 00-75	SNUBBER		1
37	539 10 26-56	SPACER		1
38	539 97 66-88	PULLEY		2
39	539 10 19-80	EYEBOLT PIVOT		1
40	539 10 19-81	EYEBOLT, LH	LH	1
41	539 10 19-83	TURNBUCKLE		1
42	539 10 19-82	BOLT	RH	1
43	539 10 13-32	SCREW		2
44	539 99 05-50	WASHER		3
45	539 10 19-78	ARM WELDMENT		1
46	539 10 12-31	SPINDLE		2
47	539 10 13-31	NUT		2
48	539 10 22-37	IDLER ARM, AUX.		1
49	539 10 23-37	TENSION ROD		1
50	539 97 66-95	BUSHING		1
51	539 99 07-30	SCREW		1
52	539 10 11-75	SCREW		6
53	539 99 02-47	WASHER		6
54	539 99 04-49	NUT 7/16C HEX		6
55	539 97 69-56	SCREW		6
56	539 11 10-47	DECAL		1
57	539 10 45-64	DECAL		1
58	539 10 57-46	DECAL		1
59	539 91 30-10	DECAL		1
60	539 10 23-35	BOLT		3
61	539 13 09-16	PIVOT BRACKET - CHUTE		1
62	539 13 09-22	BRKT. REINF-CHUTE WB		1
63	539 10 04-72	SCREW		1
64	539 10 29-33	RHSNB 5/16-18 X 1-1/2 GR 5 ZD		1
65	539 99 06-92	WASHER		1
66	539 99 07-17	NUT		1
67	539 99 06-27	SCREW		1

# HOUSING



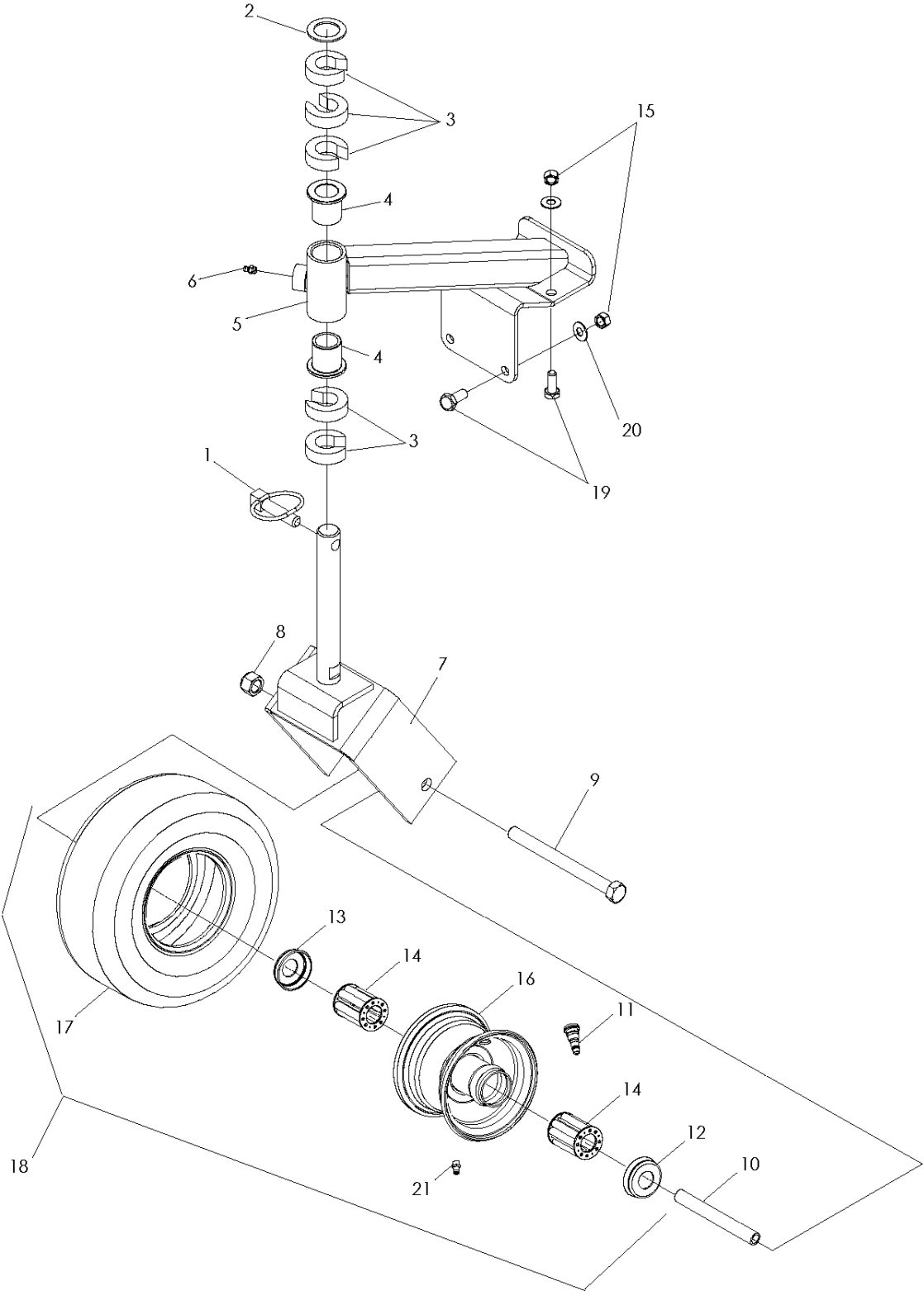


## HOUSING

W3213P, 968999364, 2008-06

Ref	Part No	Description	Remark	QTY KIT	
1	539 10 74-18	HOUSING ASSY	IT IS CRITICAL THAT YOU USE THE RIGHT SPACERS IN THE RIGHT LOCATION FOR THE DIFFERENT SPINDLE COMBINATIONS. (ALSO REFER TO THE OPERATOR'S MANUAL)	1	2-8
2	539 11 52-79	BEARING		1	
3	539 10 26-77	BEARING		2	
4	539 10 26-73	HOUSING		1	
5	539 10 26-76	SPACER		1	
6	539 10 26-74	SPINDLE		1	
7	539 10 72-72	SPACER		2	
8	539 97 63-98	PULLEY W/SETSCREWS		1	
9	539 10 18-19	PULLEY, DOUBLE W/SETS		1	
10	539 10 22-45	SPACER		1	
11	539 10 22-43	WASHER		1	
12	539 10 19-95	KEY		1	
13	539 97 69-56	SCREW		2	

# CASTERS



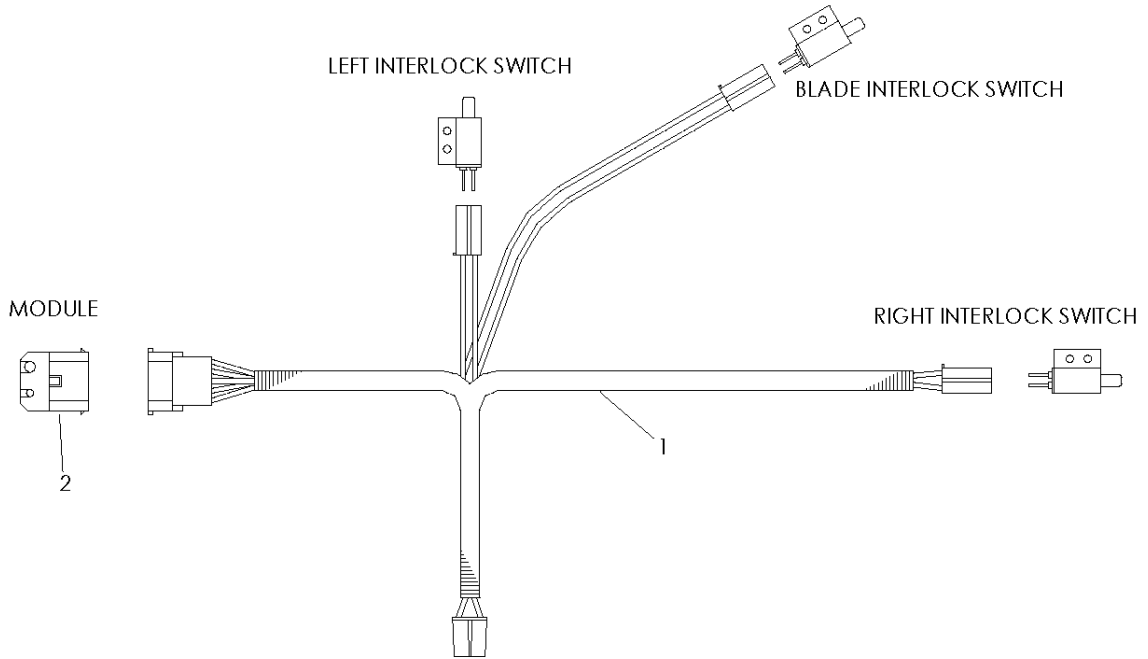
## CASTERS

W3213P, 968999364, 2008-06

Ref	Part No	Description	Remark	QTY KIT
1	539 10 18-74	LYNCH PIN 7/16		1
2	539 91 65-61	MACHINE BUSHING		1
3	539 10 18-73	C-SPACER		5
4	539 10 12-32	BUSHING		2
5	539 10 45-55	CASTER ARM W/BUSHING		1
6	539 97 69-97	NIPPLE		1
7	539 10 45-54	CASTER YOKE		1
8	539 10 13-31	NUT		1
9	539 10 19-07	SCREW		1
10	539 10 18-72	SPACER		1
11	539 91 22-34	VALVE		1
12	539 97 73-56	ENDCAP, NOTCHED		1
13	539 92 35-57	ENDCAP		1
14	539 97 73-53	ROLLER BEARING		2
15	539 99 05-46	NUT		3
16	539 10 46-18	RIM		1
17	539 10 19-05	TIRE, 9"		1
18	539 10 45-56	TIRE		1
19	539 99 05-63	SCREW		3
20	539 99 05-17	WASHER		3
21	539 97 69-97	NIPPLE		1

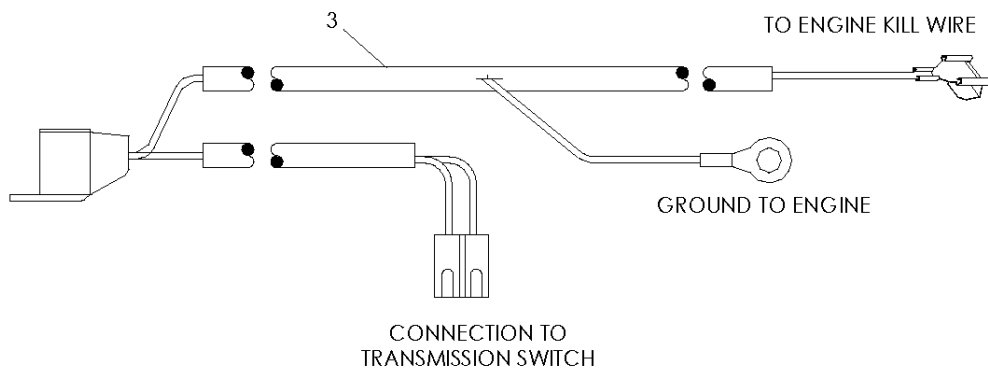
# WIRING HARNESS

---



---

## GROUND HARNESS KOHLER



WIRING HARNESS

W3213P, 968999364, 2008-06

Ref	Part No	Description	Remark	QTY KIT
1	539 10 19-84	HANDLE HARNESS		1
2	539 10 17-81	MODULE		1
3	539 10 49-91	GROUND HARNESS		1