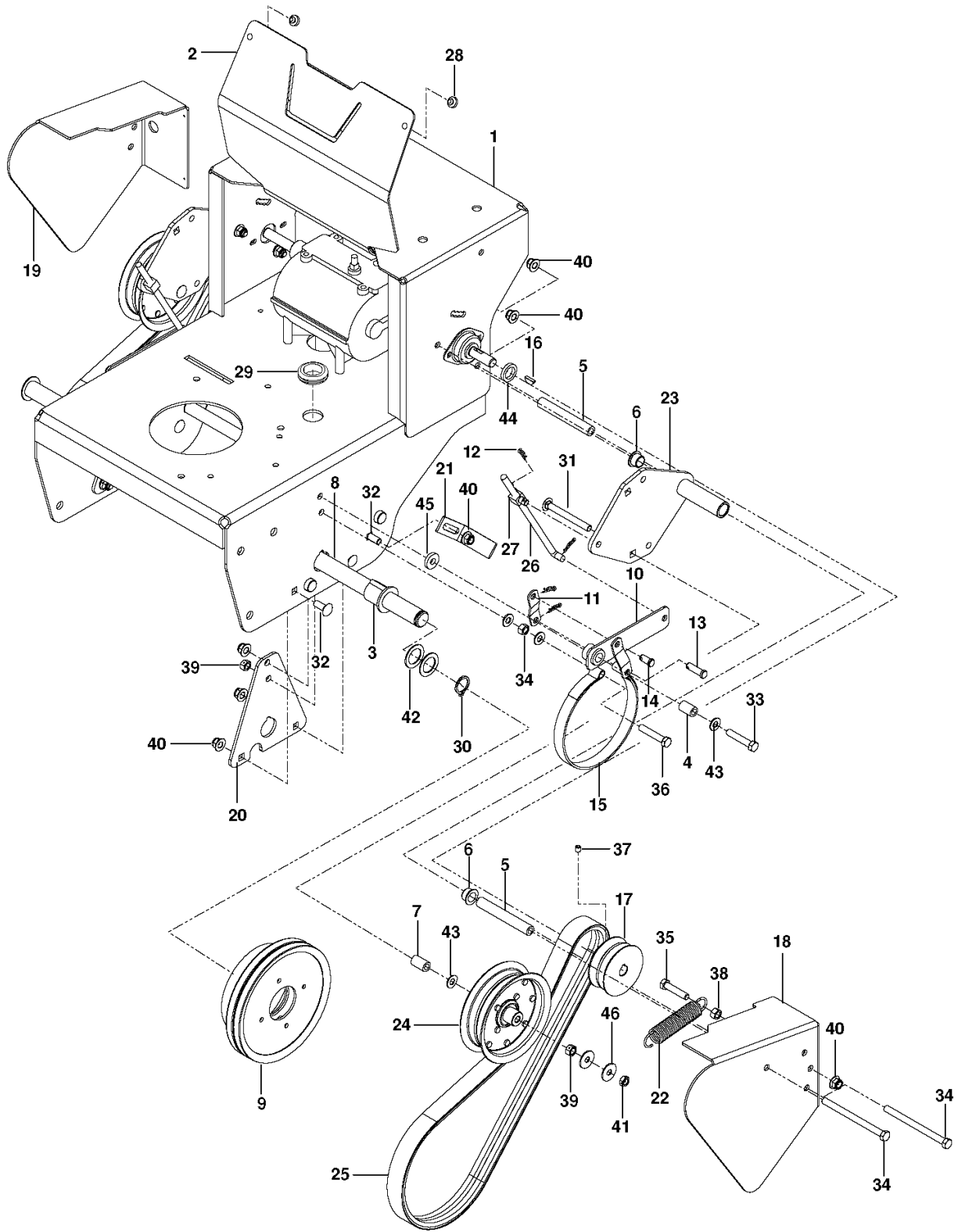




SPARE PARTS LIST

LAWN MOWERS: COMMERCIAL
WALK-BEHINDS

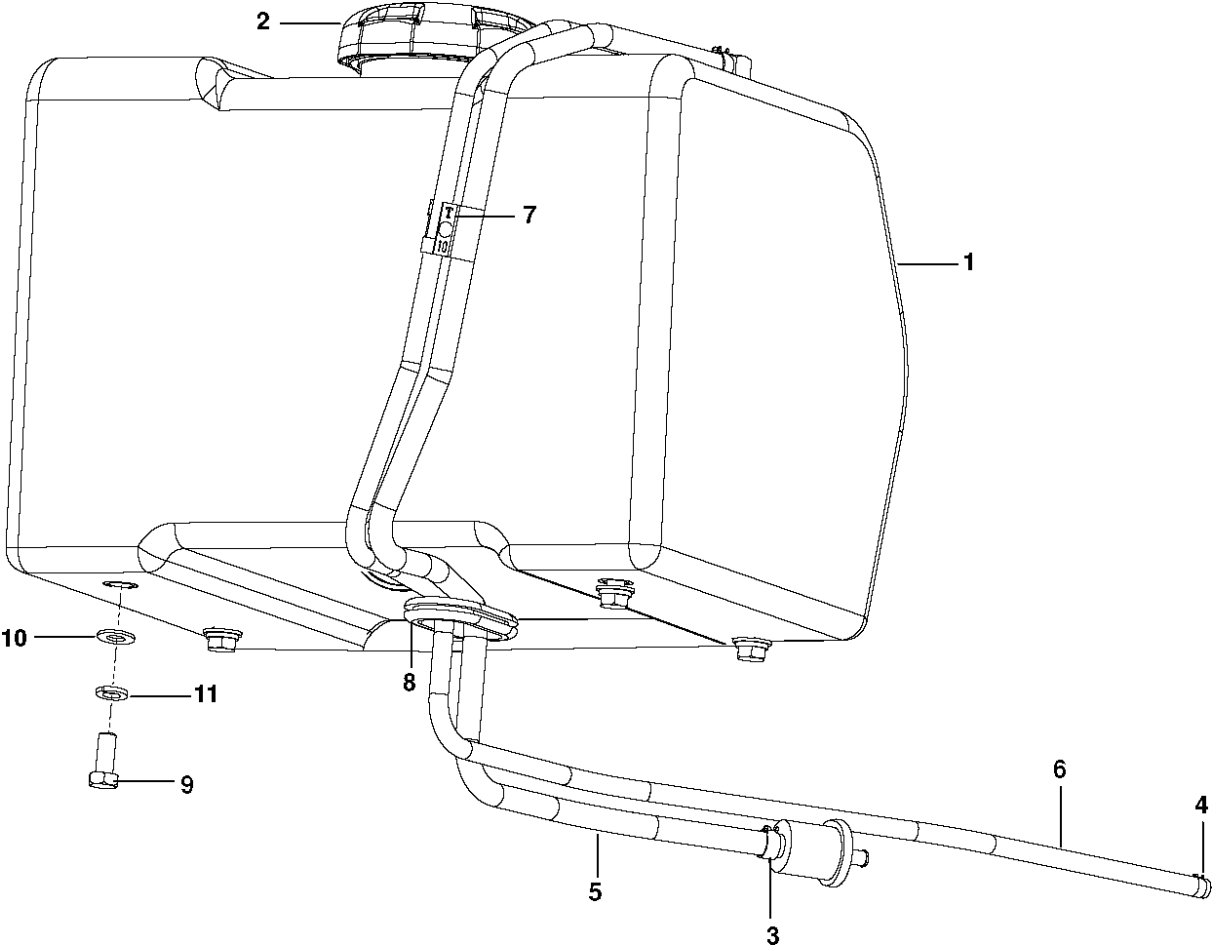
W448, 967334401, 2015-01



DRIVE

W448, 967334401, 2015-01

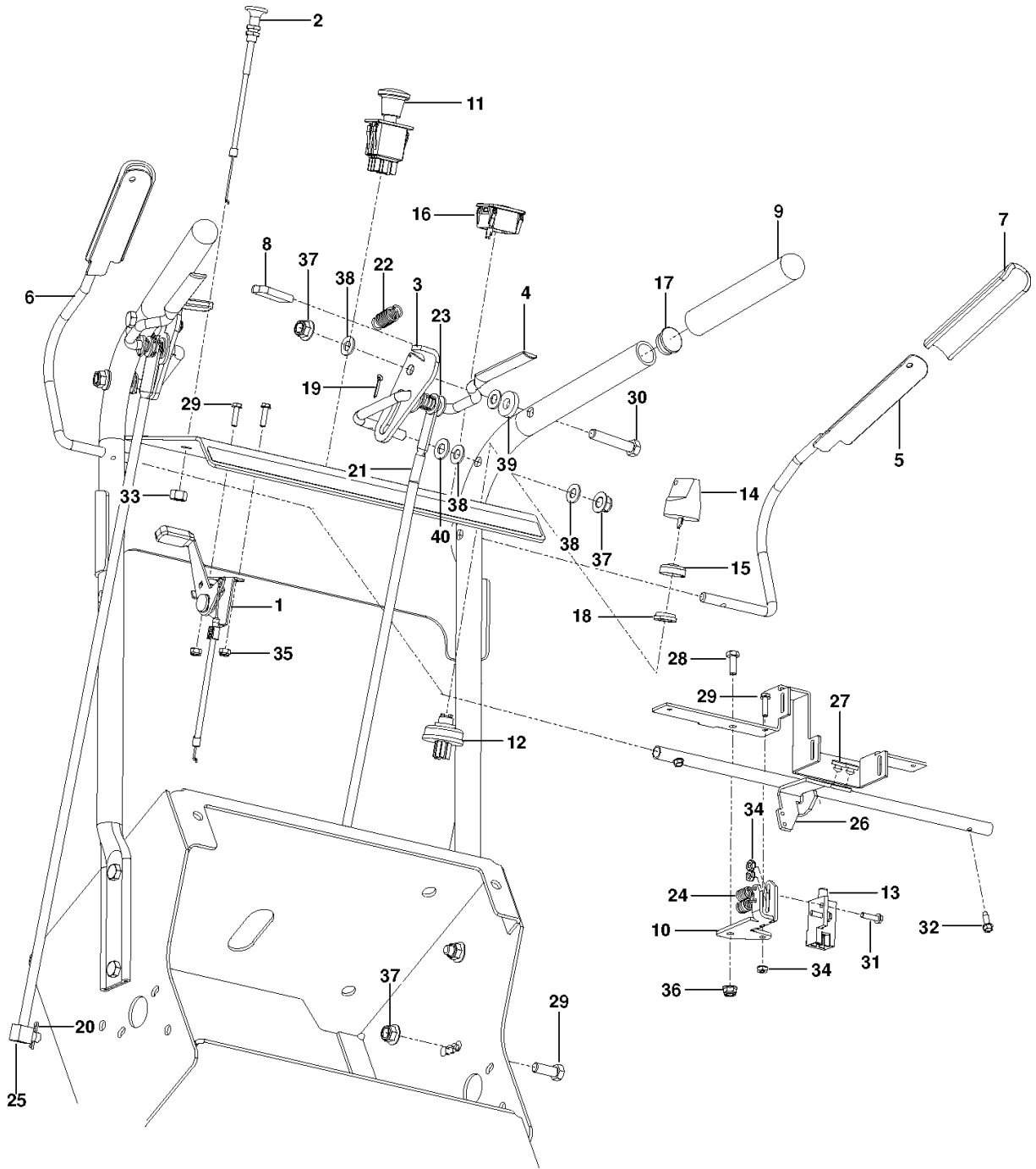
Ref	Part No	Description	Remark	QTY KIT
1	588 06 33-01	FRAME		1
2	588 07 20-03	SHIELD		2
3	588 06 68-01	BUSHING		2
4	588 06 67-01	BUSH		2
5	588 06 67-02	BUSH		4
6	588 06 68-02	BUSHING		4
7	588 06 68-03	BUSHING		2
8	588 07 18-01	SHAFT		1
9	588 06 35-02	PULLEY ASSY		2
10	588 06 49-01	LEVER		2
11	588 07 02-01	LINK		4
12	588 07 08-05	PIN		8
13	588 07 08-03	PIN		2
14	588 07 08-02	PIN		2
15	588 06 30-01	BRAKE BAND ASSY		2
16	588 06 98-04	KEY		2
17	588 07 19-01	SHEAVE		2
18	588 06 81-01	COVER		1
19	588 06 81-02	COVER		1
20	588 07 12-01	PLATE		2
21	588 07 12-02	PLATE		2
22	588 07 17-04	SPRING		2
23	588 06 79-01	ARM		2
24	588 07 13-04	PULLEY		2
25	588 06 40-01	BELT		2
26	588 07 15-01	ROD		2
27	588 07 26-01	SWIVEL		2
28	588 06 66-01	BUMPER		2
29	588 06 88-04	GROMMET		1
30	588 07 14-02	RING		2
31	588 06 47-27	BOLT		2
32	588 06 47-25	BOLT		6
33	588 06 47-11	BOLT		2
34	588 06 47-14	BOLT		4
35	588 06 47-10	BOLT		2
36	588 06 47-12	BOLT		2
37	588 07 16-03	SCREW		2
38	588 07 06-03	NUT		4
39	588 07 06-05	NUT		4
41	588 07 06-06	NUT		2
42	588 07 32-14	WASHER		4
44	588 07 32-04	WASHER		2
45	588 07 32-11	WASHER		2
46	588 07 32-07	WASHER		4
	588 06 38-01	WHEEL ASSY	NOT SHOWN	2



FUEL SYSTEM

W448, 967334401, 2015-01

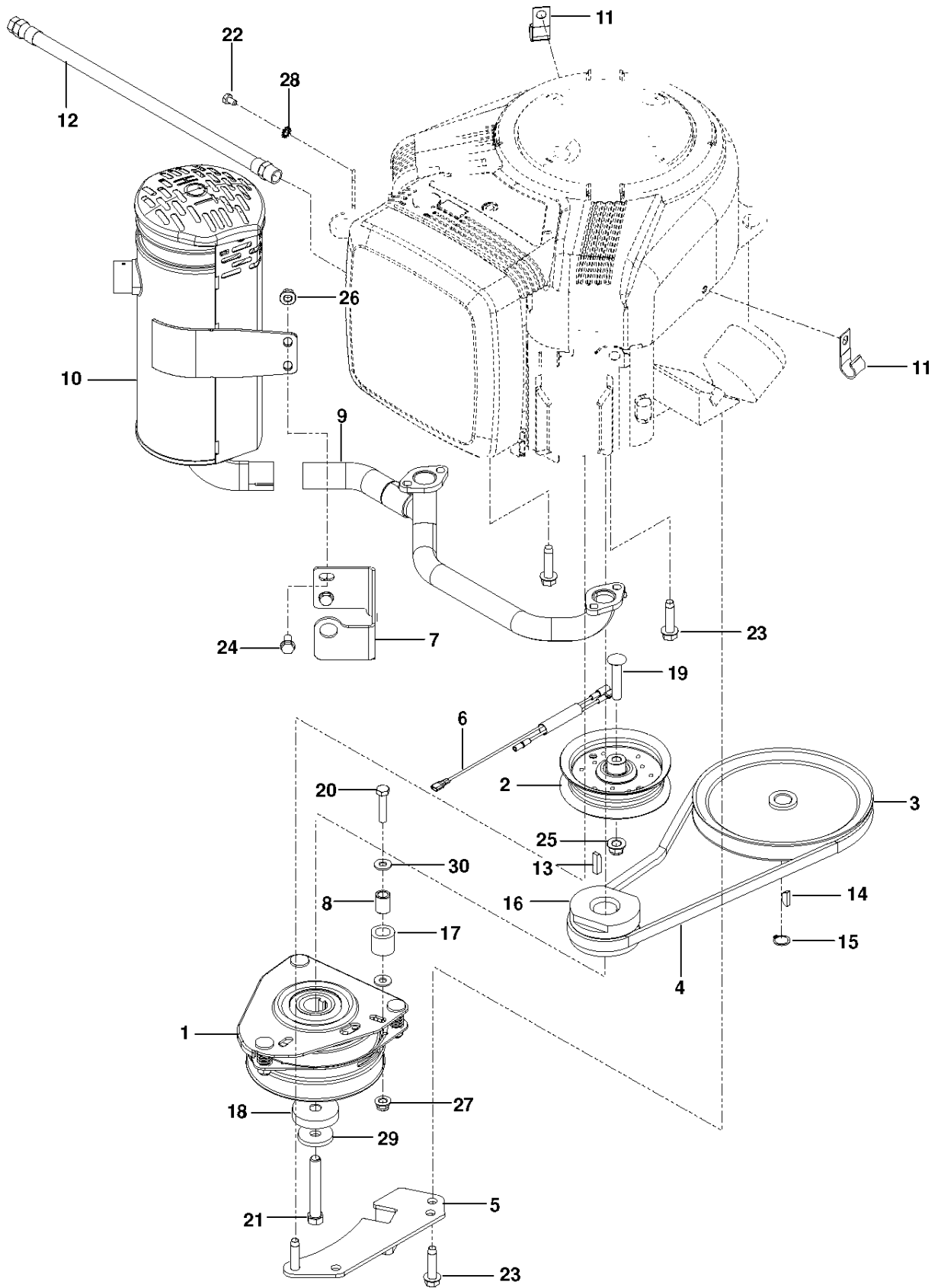
Ref	Part No	Description	Remark	QTY KIT
1	588 07 27-01	TANK		1
2	588 06 73-02	CAP		1
3	588 06 76-01	CLAMP		2
4	588 06 76-02	CLAMP		2
5	588 06 94-01	HOSE		1
6	588 06 94-02	HOSE		1
7	588 06 77-01	CLIP		1
8	588 06 88-01	GROMMET		1
9	588 06 47-07	BOLT		4
11	588 07 32-19	WASHER		4



HANDLE & CONTROLS

W448, 967334401, 2015-01

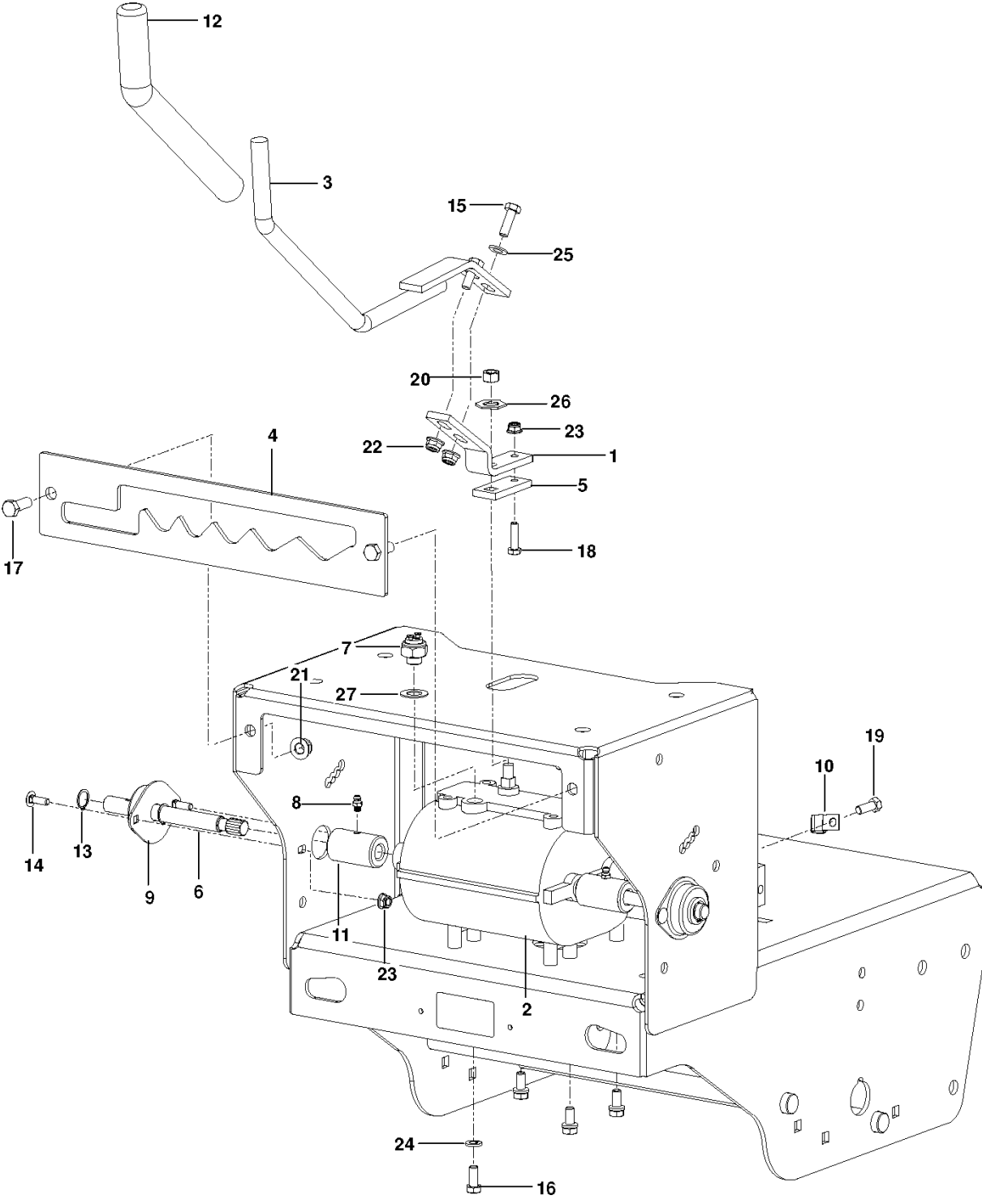
Ref	Part No	Description	Remark	QTY KIT
1	588 06 69-01	CABLE		1
2	588 06 69-03	CABLE		1
3	588 07 00-02	LATCH		1
3	588 07 00-01	LATCH		
4	588 07 01-04	LEVER		1
4	588 07 01-03	LEVER		
5	588 07 01-02	LEVER		1
6	588 07 01-01	LEVER		1
7	588 06 87-01	GRIP		2
8	588 06 87-04	GRIP		2
9	588 06 87-03	GRIP		2
10	588 07 25-01	SWITCH		1
11	588 07 25-02	SWITCH		1
12	588 06 98-01	KEY		1
13	588 07 25-03	SWITCH		1
14	588 06 98-02	KEY		1
15	588 06 73-01	CAP		1
16	588 07 04-01	METER		1
17	588 06 73-03	CAP		2
18	588 07 06-12	NUT		1
19	588 07 08-04	PIN		4
20	588 07 08-05	PIN		2
21	588 07 15-02	ROD		2
22	588 07 17-02	SPRING		2
23	588 07 17-01	SPRING		2
24	588 07 17-03	SPRING		2
25	588 07 26-01	SWIVEL		2
26	588 07 10-01	TUBE		1
27	588 06 66-01	BUMPER		2
28	588 06 47-03	BOLT		1
29	588 06 47-08	BOLT		4
30	588 06 47-11	BOLT		2
31	588 07 16-02	SCREW		4
32	588 07 16-04	SCREW		2
33	588 07 06-02	NUT		1
34	588 07 06-01	NUT		3
35	588 07 06-07	NUT		2
36	588 07 06-08	NUT		1
38	588 07 32-05	WASHER		8
39	588 07 32-11	WASHER		2
	588 06 34-01	HANDLEBAR	W/ Safety Decals	1
	588 06 93-01	HARNESS		1



ENGINE PLATE

W448, 967334401, 2015-01

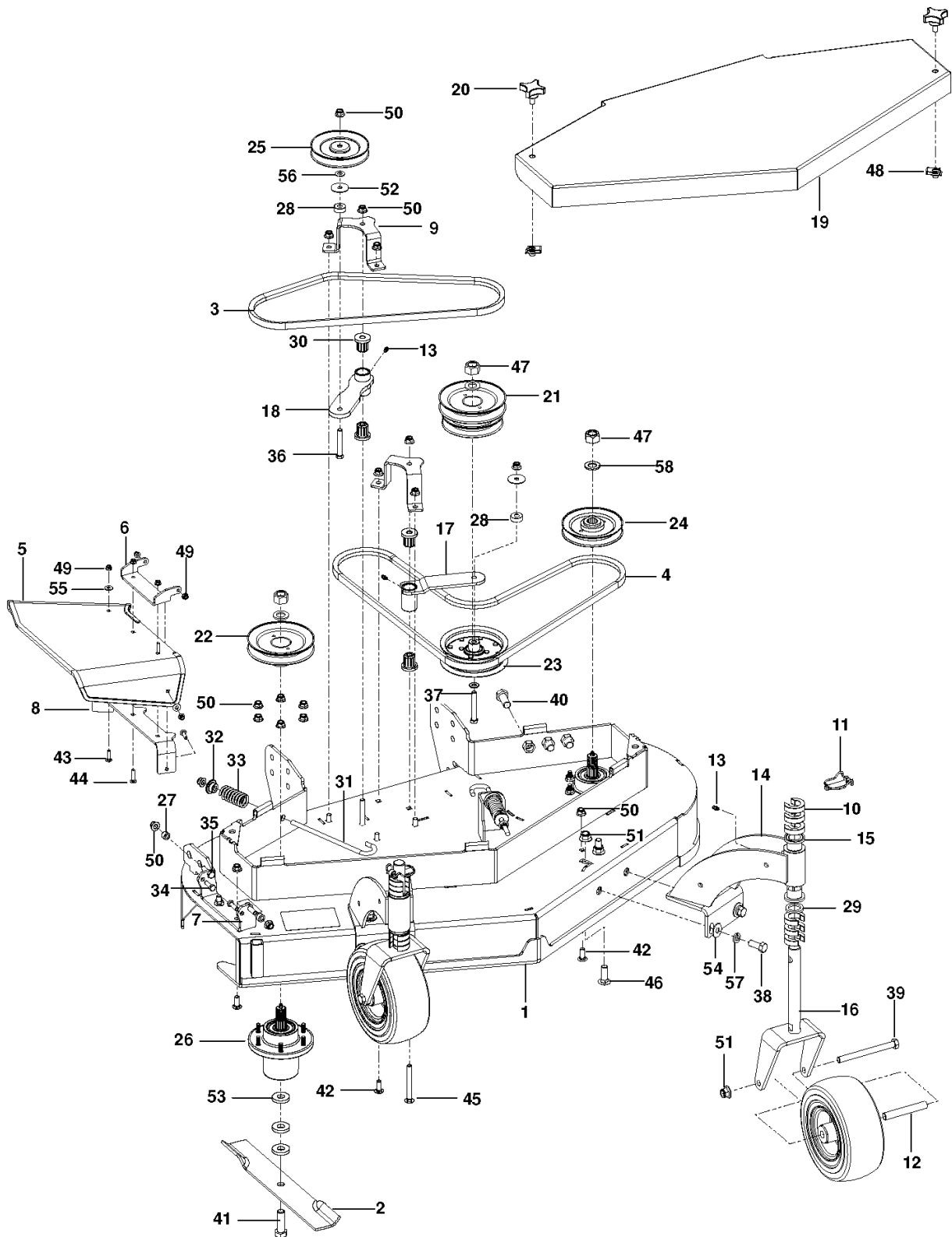
Ref	Part No	Description	Remark	QTY KIT
1	588 06 78-01	CLUTCH		1
2	588 06 35-01	PULLEY ASSY		1
3	588 07 13-01	PULLEY		1
4	588 07 31-01	V-BELT		1
5	588 06 78-02	CLUTCH		1
6	588 22 75-01	HARNESS		1
7	588 22 78-01	BRACKET		1
8	588 06 67-03	BUSH		1
9	588 22 77-01	ELBOW		1
10	588 22 76-01	EXHAUST		1
11	588 07 07-01	CLIP		2
12	588 22 79-01	HOSE		1
13	588 22 83-01	KEY		1
14	588 06 98-04	KEY		1
15	588 07 14-01	RING		1
16	588 07 19-02	SHEAVE		1
17	588 06 66-02	BUMPER		1
18	588 07 22-01	SPACER		1
19	588 06 47-26	BOLT		1
20	588 06 47-06	BOLT		1
21	588 06 47-01	BOLT		1
22	588 22 80-01	BOLT		1
23	588 22 82-01	SCREW		4
24	588 07 16-01	SCREW		2
26	588 07 03-02	LOCK NUT		2
28	588 22 81-01	WASHER		1
29	588 07 32-03	WASHER		1
30	588 07 32-16	WASHER		2



TRANSMISSION

W448, 967334401, 2015-01

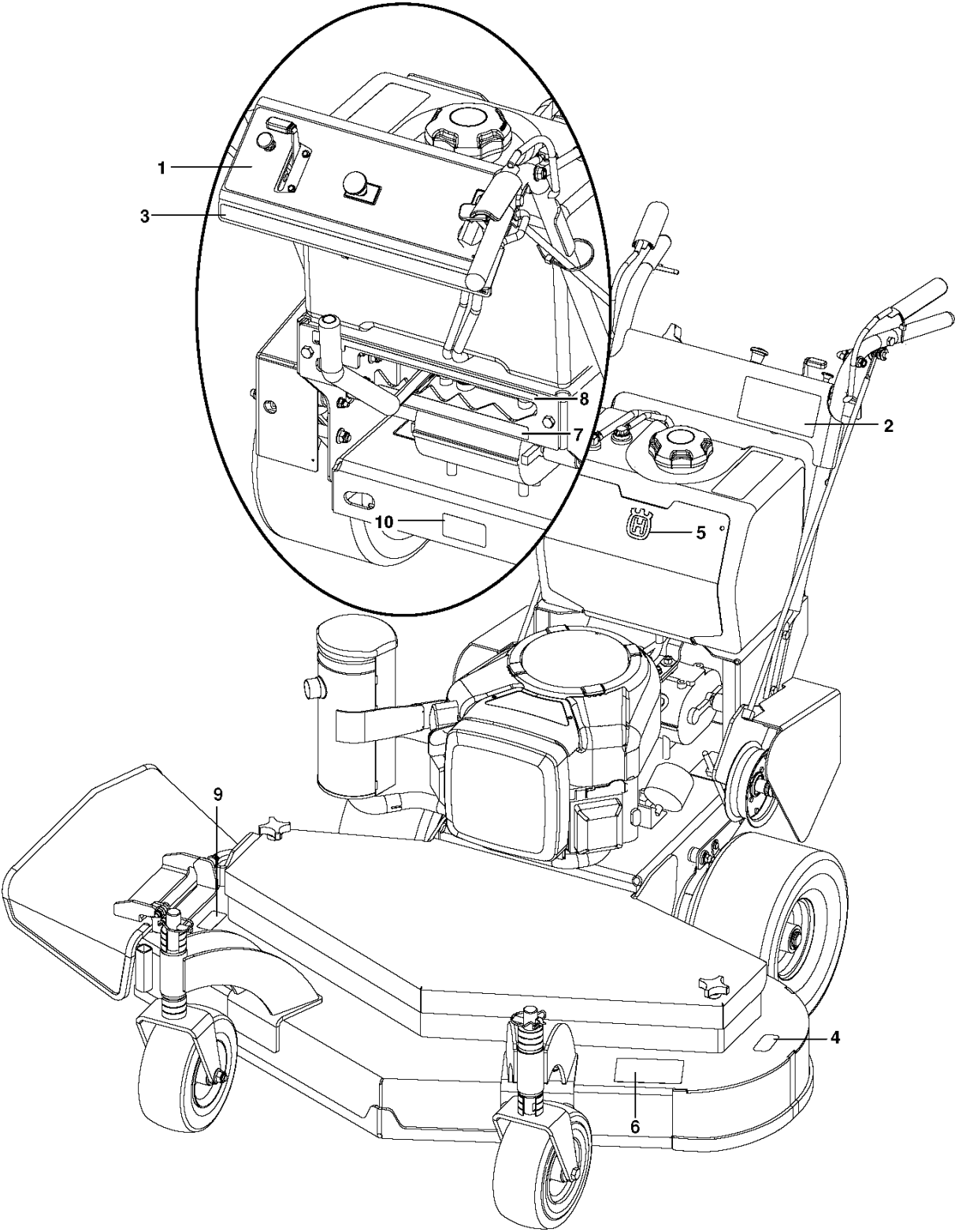
Ref	Part No	Description	Remark	QTY KIT
1	588 06 48-02	BRACKET		1
2	588 07 28-01	TRANSMISSION		1
3	588 07 21-01	LEVER		1
4	588 07 12-04	PLATE		1
5	588 07 12-03	PLATE		1
6	588 07 18-02	SHAFT		1
7	588 07 25-04	SWITCH		1
8	588 06 86-02	FITTING		2
9	588 06 50-03	BEARING		2
10	588 07 07-01	CLIP		1
11	588 06 80-01	COUPLER		2
12	588 06 87-02	GRIP		1
13	588 07 14-01	RING		4
14	588 06 47-22	BOLT		4
15	588 06 47-05	BOLT		2
16	588 06 47-04	BOLT		4
17	588 06 47-08	BOLT		2
18	588 06 47-02	BOLT		1
19	588 06 47-07	BOLT		1
20	588 07 06-04	NUT		1
23	588 07 06-08	NUT		5
24	588 07 32-17	WASHER		4
25	588 07 32-06	WASHER		2
26	588 07 32-18	WASHER		1
27	588 07 32-15	WASHER		1



MOWER DECK / CUTTING DECK

W448, 967334401, 2015-01

Ref	Part No	Description	Remark	QTY KIT
1	588 06 32-01	DECK ASSY		1
2	588 06 45-01	BLADE		3
3	588 06 40-02	BELT		1
4	588 06 40-04	BELT		1
5	588 06 75-01	CHUTE		1
6	588 06 65-02	BRACKET		1
7	588 06 65-03	BRACKET		1
8	588 06 65-01	BRACKET		1
9	588 06 48-01	BRACKET		2
10	588 06 82-01	SPACER		12
11	588 07 08-01	PIN		2
12	588 07 29-01	TUBE		2
13	588 06 86-02	FITTING		4
14	588 07 24-01	STRUT		2
15	588 06 50-01	BEARING		4
16	588 06 74-01	YOKE		2
17	588 06 95-02	OFFSET PULLEY		1
18	588 06 95-01	OFFSET PULLEY		1
19	588 22 73-01	SHIELD		1
20	588 06 99-01	KNOB		2
21	588 07 13-02	PULLEY		1
22	588 07 13-03	PULLEY		1
23	588 07 13-04	PULLEY		1
24	588 07 13-06	PULLEY		1
25	588 07 13-05	PULLEY		1
26	588 06 36-01	SPINDLE		3
27	588 22 72-01	BUSHING		2
28	588 06 68-04	BUSHING		2
29	588 06 68-05	BUSHING		2
30	588 06 50-02	BEARING		4
31	588 06 96-01	BOLT		2
32	588 06 97-01	KEEPER		2
33	588 07 23-01	SPRING		2
34	588 06 47-05	BOLT		2
35	588 06 47-09	BOLT		2
36	588 06 47-30	BOLT		1
37	588 06 47-13	BOLT		1
38	588 06 47-15	BOLT		5
39	588 06 47-16	BOLT		2
40	588 06 47-29	BOLT		3
41	588 06 47-17	BOLT		3
42	588 06 47-21	BOLT		8
43	588 06 47-23	BOLT		2
44	588 06 47-24	BOLT		2
45	588 06 47-27	BOLT		2
46	588 06 47-28	BOLT		3
47	588 07 03-01	LOCK NUT		3
48	588 22 74-01	NUT		2
51	588 07 06-11	NUT		5
52	588 07 32-09	WASHER		2
53	588 07 32-13	WASHER		9
54	588 07 32-12	WASHER		5
55	588 07 32-08	WASHER		2
57	588 07 32-20	WASHER		5
58	588 07 32-01	WASHER		3
not shown	588 06 37-01	WHEEL ASSY		1



DECALS

W448, 967334401, 2015-01

Ref	Part No	Description	Remark	QTY KIT
1	588 06 83-01	DECAL	CONSOLE	1
2	588 06 83-02	DECAL	CONS W436	1
3	588 06 83-04	DECAL	STEERING	1
4	588 06 83-06	DECAL	DECK 48	1
5	588 06 83-09	DECAL	HUSQ CROWN	1
6	588 06 83-12	DECAL	SAFETY DECK	2
7	588 06 83-13	DECAL	DISENGAGE	1
8	588 06 83-14	DECAL	INDICATOR	1
9	588 06 83-10	DECAL	SFTY GUARD	1
10	588 06 83-11	DECAL	SFTY GUARD	1
	588 06 83-08	DECAL	BELT ROUTE 48	1