

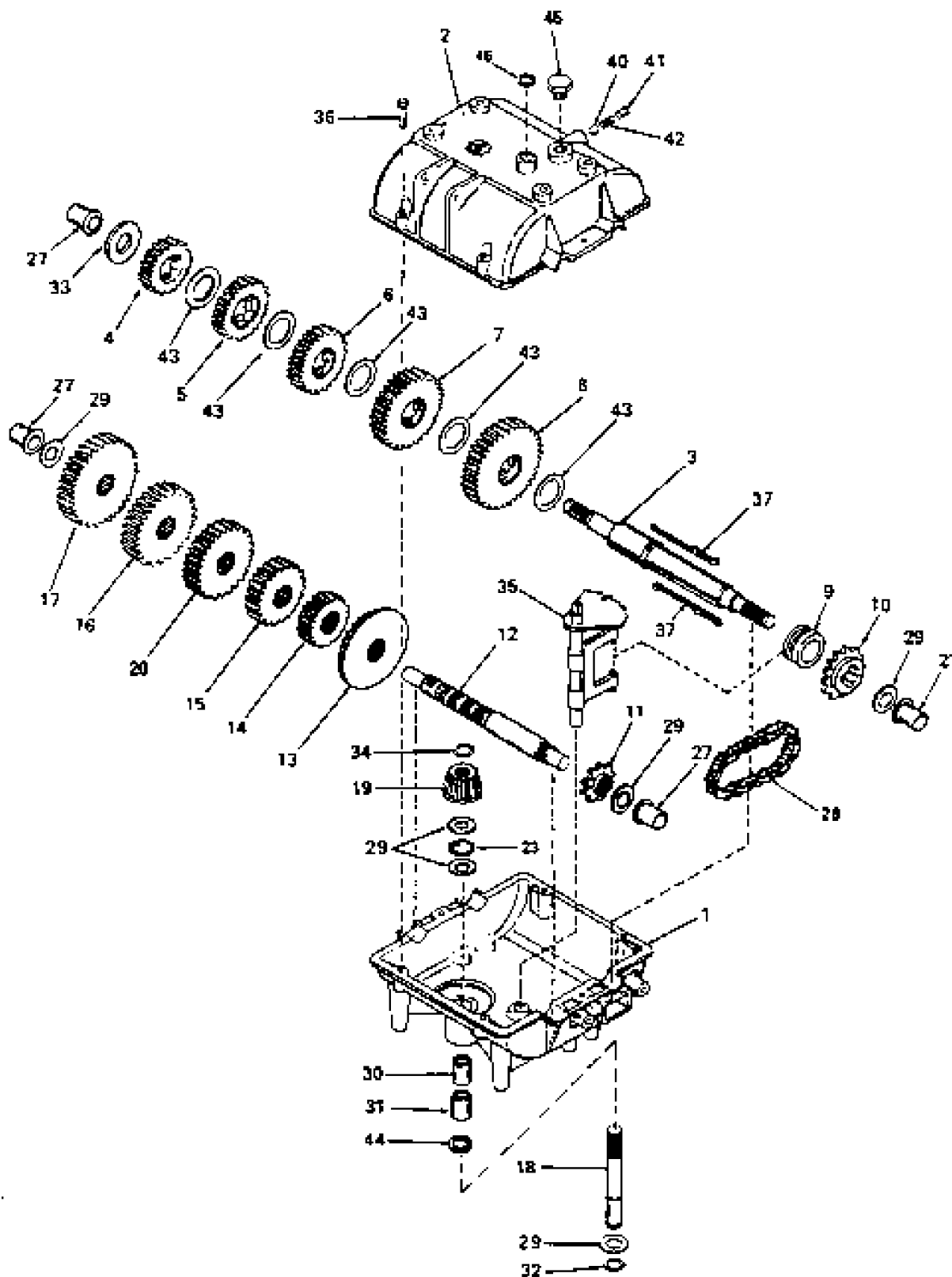


SPARE PARTS LIST

LAWN MOWERS: COMMERCIAL
WALK-BEHINDS

W4815A, 968999110, 2001-09

TRANSMISSION

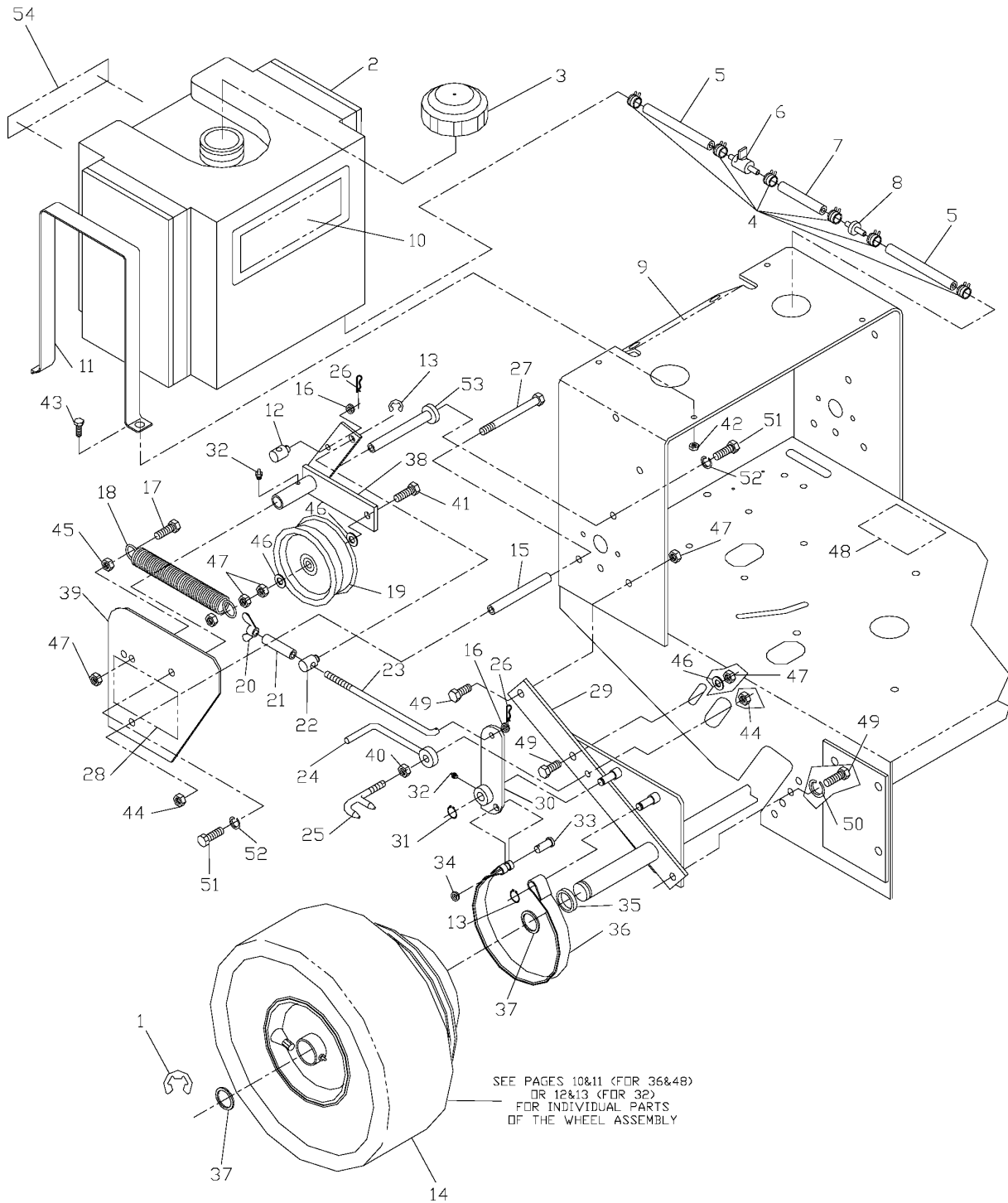


TRANSMISSION

W4815A, 968999110, 2001-09

Ref	Part No	Description	Remark	QTY KIT
1	539 10 02-77	DECAL		1
2	539 10 19-60	SHIFTER PLATE		1
3	539 91 64-59	RETAINER		1
4	539 10 01-50	SB 12C X 34		1
5	539 97 69-98	NIPPLE		3
6	539 10 00-66	BELLCRANK		1
7	539 10 46-48	BRACKET		1
8	539 10 19-61	SHIFTER ARM		1
9	539 10 19-65	SHIFTER GRIP		1
10	539 10 21-65	SHIFTER BRACKET		1
11	539 10 01-48	SWITCH, TRANS		1
12	539 10 21-62	TRANSMISSION		1
13	539 10 47-24	DECAL		1
14	539 10 21-64	COUPLING		2
15	539 10 45-47	BRACKET		1
16	539 91 02-11	KEY, #9 WOODRUFF		3
17	539 10 21-63	DRIVE SHAFT		2
18	539 10 19-67	BEARING		2
19	539 10 19-71	RETAINER RING		2
20	539 10 19-54	PULLEY		2
539102154	539 10 21-54	DRIVE PULLEY (32)		2
21	539 10 19-56	BELT, DRIVE (36 & 48)		2
539102149	539 10 21-49	BELT		2
22	539 10 19-88	SETSCREW, 1/4-20 NYLOC		2
23	539 10 19-64	PULLEY, INPUT		1
24	539 99 05-50	WASHER		1
25	539 91 90-78	PULLEY		1
26	539 10 19-57	BELT		1
27	539 10 20-36	BELT GUIDE		1
28	539 92 19-60	SPACER		2
29	539 10 20-50	BUSHING		1
30	539 10 57-18	SQUARE KEY - 1/4 X .5		1
31	539 91 91-48	PULLEY		1
32	539 10 17-20	SPACER		1
33	539 10 19-95	KEY		1
34	539 10 18-34	PULLEY, ENGINE		1
35	539 10 65-04	WASHER		1
36	539 99 02-47	WASHER		1
37	539 10 01-42	HCS M10-1.5X35MM		1
539100141	539 10 01-41	SCREW		1
38	539 97 76-92	BOLT		4
539100567	539 10 05-67	HCS M8-1.25X30MM GD8.8 ZD		4
39	539 99 01-87	WASHER		8
40	539 99 06-92	WASHER		6
41	539 99 07-61	NUT		6
42	539 97 77-61	SCREW		2
43	539 99 01-55	NUT		1
44	539 99 01-18	WASHER		1
45	539 99 05-98	WASHER		2
46	539 97 69-56	SCREW		4
47	539 10 01-45	RHSNB 3/8C X 2		1
48	539 99 05-46	NUT		2
49	539 97 69-34	SCREW		10
50	539 99 01-84	NUT		6
51	539 99 00-72	SCREW		4
52	539 10 19-72	BLADE ROD		1
53	539 99 05-17	WASHER		2
54	539 97 69-89	SPLIT PIN		1
55	539 10 03-61	DECAL		1
56	539 10 20-31	BLADE ROD 48"		1
539102048	539 10 20-48	BLADE ROD 36"		1
57	539 10 01-28	DECAL		1
58	539 10 20-47	DECAL		1
59	539 99 10-43	BUSHING		2
60	539 10 34-62	BELT GUIDE		2
61	539 10 34-63	BELT GUIDE		1

WHEEL DRIVE & AXLE ASSEMBLY 32", 36", & 48" MODELS

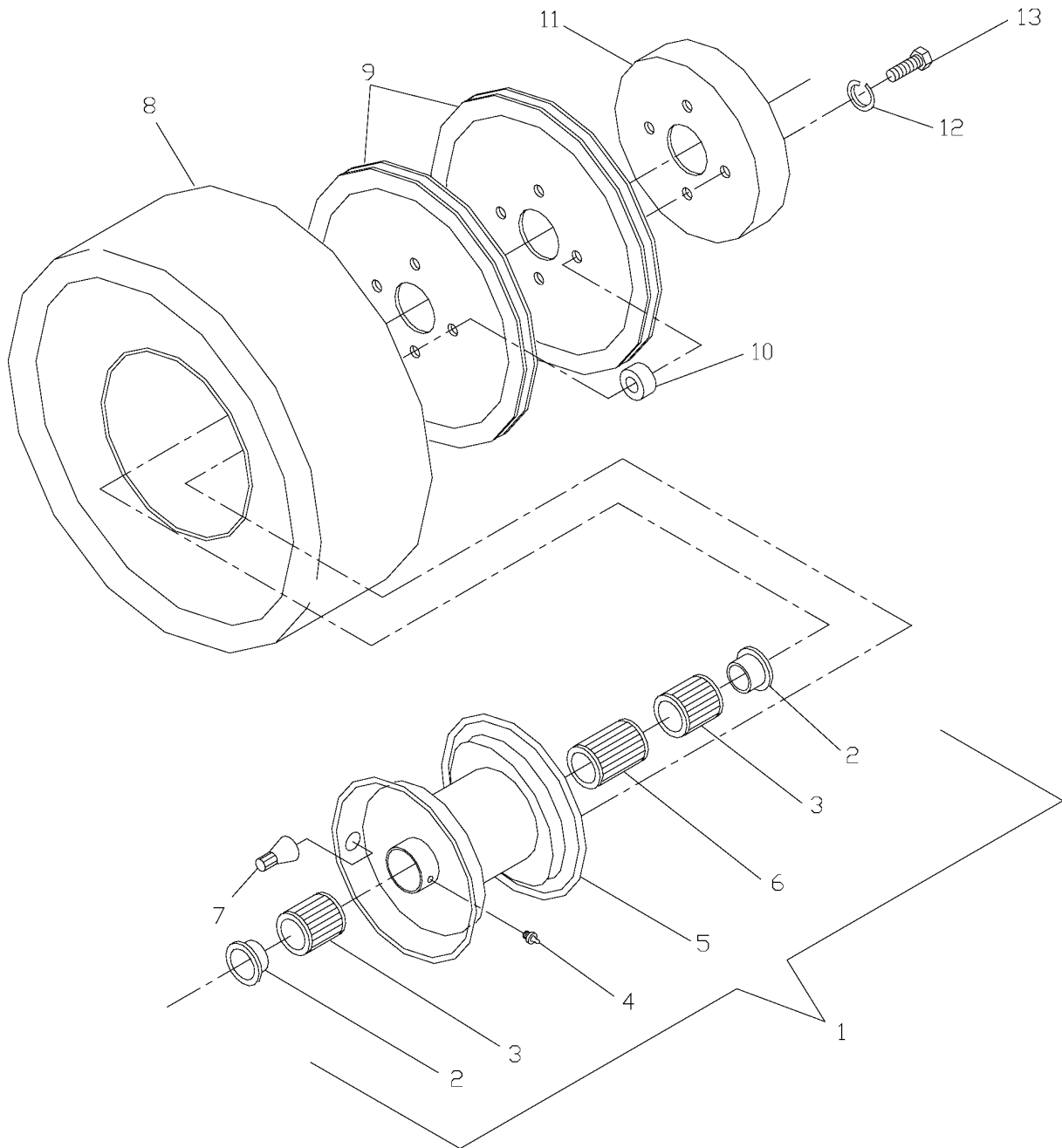


DRIVE

W4815A, 968999110, 2001-09

Ref	Part No	Description	Remark	QTY KIT
1	539 91 27-30	E-RING 1"		2
2	539 10 01-35	FUEL TANK		1
3	539 91 43-63	FUEL CAP		1
4	539 91 22-22	CLAMP		6
5	539 93 29-56	GAS LINE 10"		2
6	539 91 63-25	VALVE		1
7	539 97 73-51	GAS LINE 3 1/2"		1
539104993	539 10 49-93	GAS LINE - 14"		1
8	539 91 43-59	FUEL FILTER		1
9	539 10 47-24	DECAL		1
10	539 10 47-95	DECAL		1
539104828	539 10 48-28	DECAL		1
539104796	539 10 47-96	DECAL		1
539104829	539 10 48-29	DECAL		1
539104797	539 10 47-97	DECAL		1
539104794	539 10 47-94	DECAL		1
539104831	539 10 48-31	DECAL		1
11	539 10 00-12	TANK STRAPS		2
12	539 97 64-34	SWIVEL (SHORT)		2
13	539 99 08-70	RING		4
14	539 10 47-57	WHEEL ASM		2
539104715	539 10 47-15	WHEEL ASM		2
15	539 10 19-92	SPACER		2
16	539 99 06-92	WASHER		4
17	539 97 69-41	SCREW		2
18	539 10 19-77	SPRING		2
19	539 10 19-55	PULLEY		2
20	539 10 02-76	WINGNUT, 5/16C NYLOC		2
21	539 10 00-97	SPACER		2
22	539 10 19-40	SWIVEL		2
23	539 10 19-39	BRAKE ROD		2
24	539 10 19-73	BELT GUIDE		2
25	539 10 20-35	SCRAPER		2
539102155	539 10 21-55	SCRAPER		2
26	539 97 69-88	PIN RETAINING SCREW		4
27	539 99 01-45	BOLT		2
28	539 10 47-89	DECAL		2
29	539 10 19-31	AXLE WELDMENT (36 & 48)		1
539102152	539 10 21-52	AXLE WELDMENT (32)		1
30	539 10 19-34	BRAKE ARM, RIGHT		1
539102135	539 10 21-35	ARM		1
31	539 10 19-49	RETAINER RING		2
32	539 97 69-98	NIPPLE		4
33	539 10 20-49	CLEVIS PIN		2
34	539 91 38-47	BOLT RETAINER 3/8		2
35	539 92 19-60	SPACER		2
36	539 10 19-45	BRAKE BAND		2
37	539 91 65-61	MACHINE BUSHING		4
38	539 10 21-69	IDLER PLATE, LEFT		1
539102168	539 10 21-68	IDLER PLATE, RIGHT		1
39	539 10 19-69	FENDER		2
40	539 99 05-85	NUT		2
41	539 10 13-50	TAPBOLT, 3/8C X 3		2
42	539 99 07-61	NUT		4
43	539 97 77-61	SCREW		4
44	539 99 01-84	NUT		4
45	539 99 06-13	NUT		2
46	539 99 05-17	WASHER		8
47	539 99 05-46	NUT		12
48	539 10 18-81	DECAL		1
49	539 99 05-63	SCREW		6
50	539 99 01-18	WASHER		2
51	539 99 02-09	SCREW		4
52	539 99 01-87	WASHER		4
53	539 10 21-88	SHOULDER PIVOT TUBE		2
54	539 10 47-87	DECAL		1

TRACTION WHEEL ASSEMBLY 36" & 48" MODELS

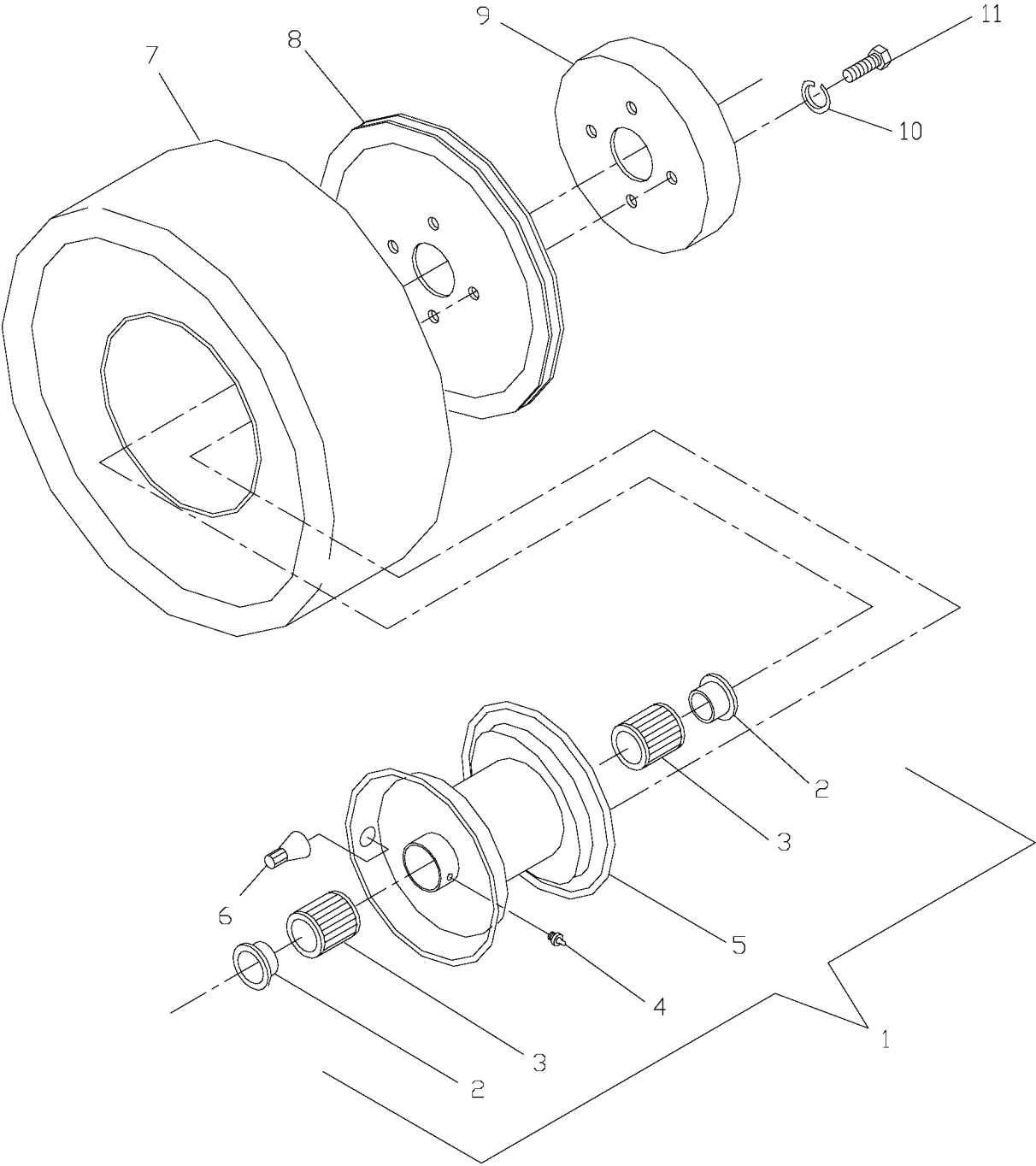


WHEELS & TIRES

W4815A, 968999110, 2001-09

Ref	Part No	Description	Remark	QTY KIT
1	539 10 47-58	WHEEL ASM		1
2	539 10 03-95	END CAP		2
3	539 10 21-61	ROLLER BEARING (SHORT)		2
4	539 97 69-98	NIPPLE		1
5	539 10 47-59	RIM		1
6	539 10 03-93	ROLLER BEARING (LONG)		1
7	539 91 22-34	VALVE		1
8	539 92 37-88	TIRE		1
9	539 93 84-73	PULLEY		2
10	539 92 35-15	SPACER		4
11	539 10 19-46	BRAKE DRUM		1
12	539 99 01-18	WASHER		4
13	539 99 01-64	HCS 3/8F X 1 1/2		4

TRACTION WHEEL ASSEMBLY 32" MODELS

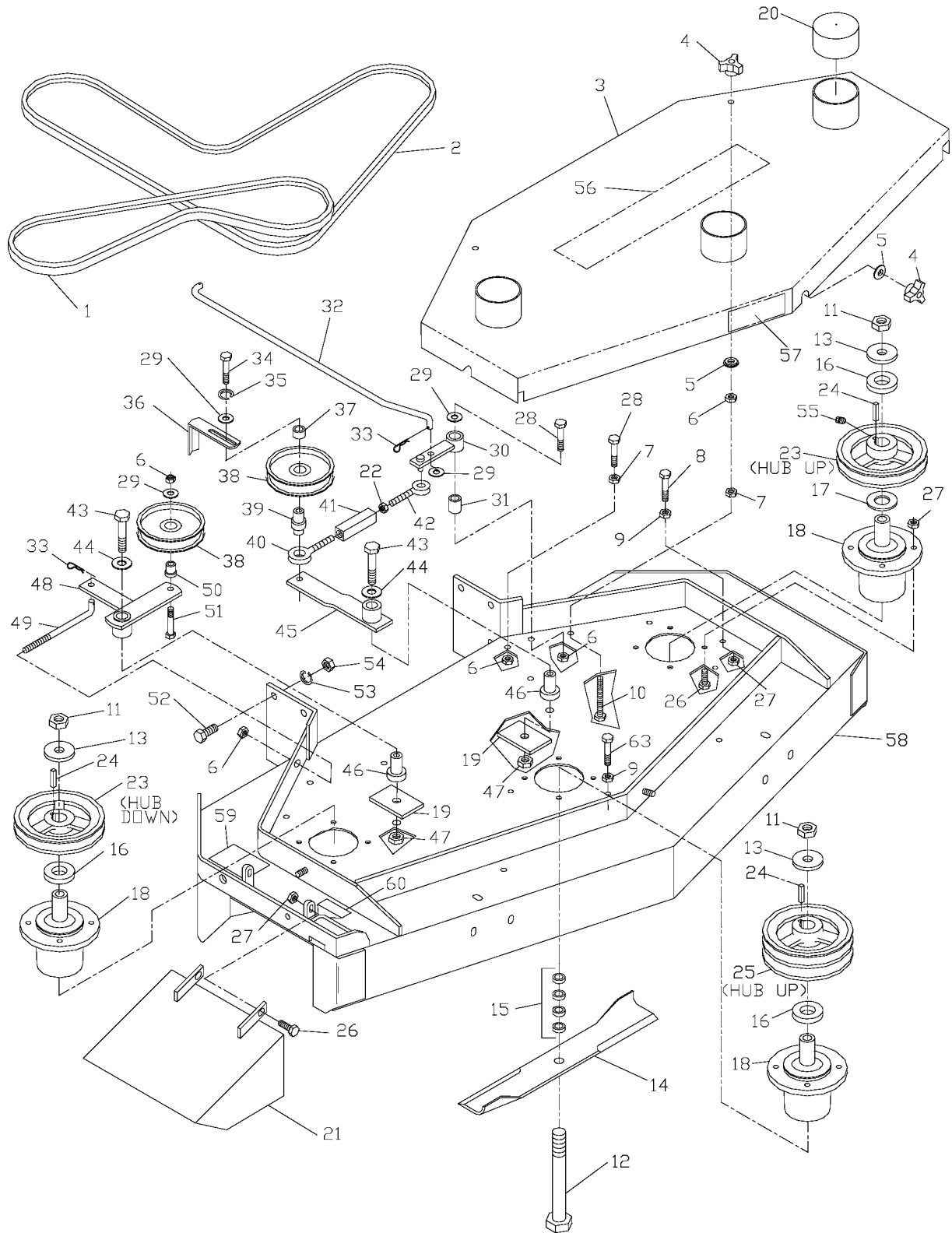


WHEELS & TIRES

W4815A, 968999110, 2001-09

Ref	Part No	Description	Remark	QTY KIT
1	539 10 47-14	WHEEL ASM		1
2	539 10 03-95	END CAP		2
3	539 10 03-93	ROLLER BEARING (LONG)		2
4	539 97 69-98	NIPPLE		1
5	539 10 47-16	RIM		1
6	539 91 22-34	VALVE		1
7	539 97 72-22	TIRE		1
8	539 97 65-22	PULLEY		1
9	539 10 19-46	BRAKE DRUM		1
10	539 99 01-18	WASHER		4
11	539 97 77-48	BOLT		4

48" FRONT DECK

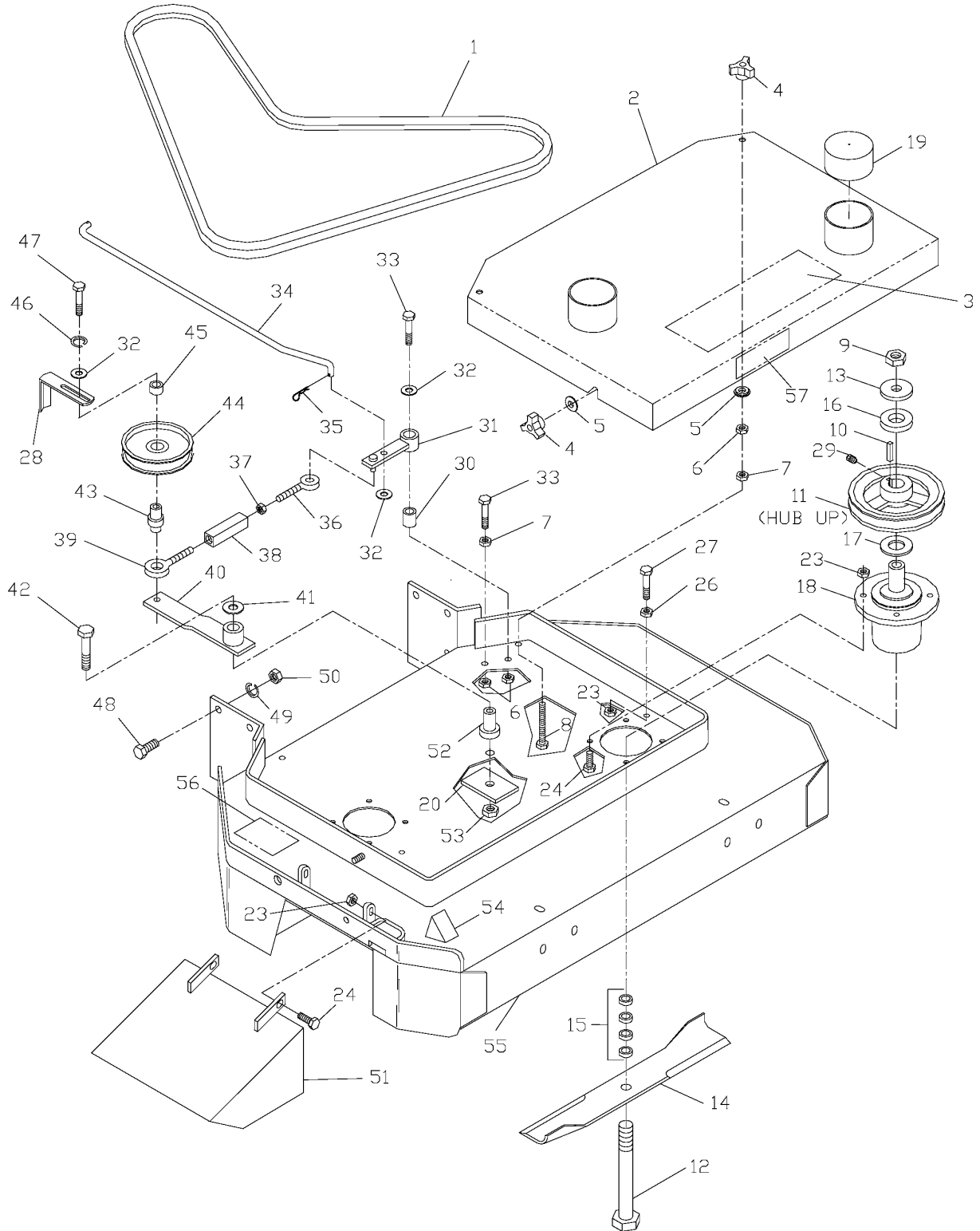


48"/122CM CUTTING DECK

W4815A, 968999110, 2001-09

Ref	Part No	Description	Remark	QTY KIT
1	539 10 00-24	BELT		1
2	539 10 19-58	BELT		1
3	539 10 45-62	BELT SHIELD 48"		1
4	539 10 20-70	KNOB, THREE PRONG		5
5	539 10 20-56	WASHER		5
6	539 99 05-46	NUT		6
7	539 99 06-13	NUT		6
8	539 99 05-53	HCS 5/16 X 3		4
9	539 99 05-85	NUT		7
10	539 10 23-34	TAPBOLT 3/8C X 4 1/2		2
11	539 97 69-80	NUT 5/8F HEX		3
12	539 10 23-32	HCS 5/8F X 8 1/2		2
539101100	539 10 11-00	HCS 5/8F X 9		1
13	539 10 22-43	WASHER		3
14	539 10 03-40	BLADE		3
15	539 97 64-36	SPACER		12
16	539 10 22-45	SPACER		3
17	539 10 26-75	BUSHING		1
18	539 10 24-40	SERVICE KIT		3
19	539 10 22-36	PLATE		2
20	539 10 23-20	TUBE CAP		3
21	539 10 45-46	DEFLECTOR CHUTE		1
22	539 99 01-96	NUT		1
23	539 97 63-98	PULLEY W/SETSCREWS		2
24	539 10 19-95	KEY		3
25	539 10 18-19	PULLEY, DOUBLE W/SETS		1
26	539 99 02-09	SCREW		14
27	539 99 01-84	NUT		21
28	539 99 06-29	SCREW		2
29	539 99 05-17	WASHER		4
30	539 10 19-79	ENGAGEMENT ARM		1
31	539 10 18-36	BUSHING, SLEEVE		1
32	539 10 20-31	BLADE ROD 48"		1
33	539 97 69-88	PIN RETAINING SCREW		2
34	539 99 06-37	SCREW		1
35	539 99 01-18	WASHER		1
36	539 10 00-75	SNUBBER		1
37	539 10 26-56	SPACER		1
38	539 97 66-88	PULLEY		2
39	539 10 19-80	EYEBOLT PIVOT		1
40	539 10 19-81	EYEBOLT, LH		1
41	539 10 19-83	TURNBUCKLE		1
42	539 10 19-82	BOLT		1
43	539 10 13-32	SCREW		2
44	539 99 05-50	WASHER		3
45	539 10 19-78	ARM WELDMENT		1
46	539 10 12-31	SPINDLE		2
47	539 10 13-31	NUT		2
48	539 10 22-37	IDLER ARM, AUX.		1
49	539 10 23-37	TENSION ROD		1
50	539 97 66-95	BUSHING		1
51	539 99 07-30	SCREW		1
52	539 10 11-75	SCREW		6
53	539 99 02-47	WASHER		6
54	539 99 04-49	NUT 7/16C HEX		6
55	539 97 69-56	SCREW		6
56	539 10 47-90	DECAL		1
57	539 10 50-71	DECAL		1
58	539 10 45-64	DECAL		1
59	539 10 03-44	DECAL		1
60	539 91 30-10	DECAL		1
63	539 10 23-35	BOLT		3

32" & 36" FRONT DECK



MOWER DECK / CUTTING DECK

W4815A, 968999110, 2001-09

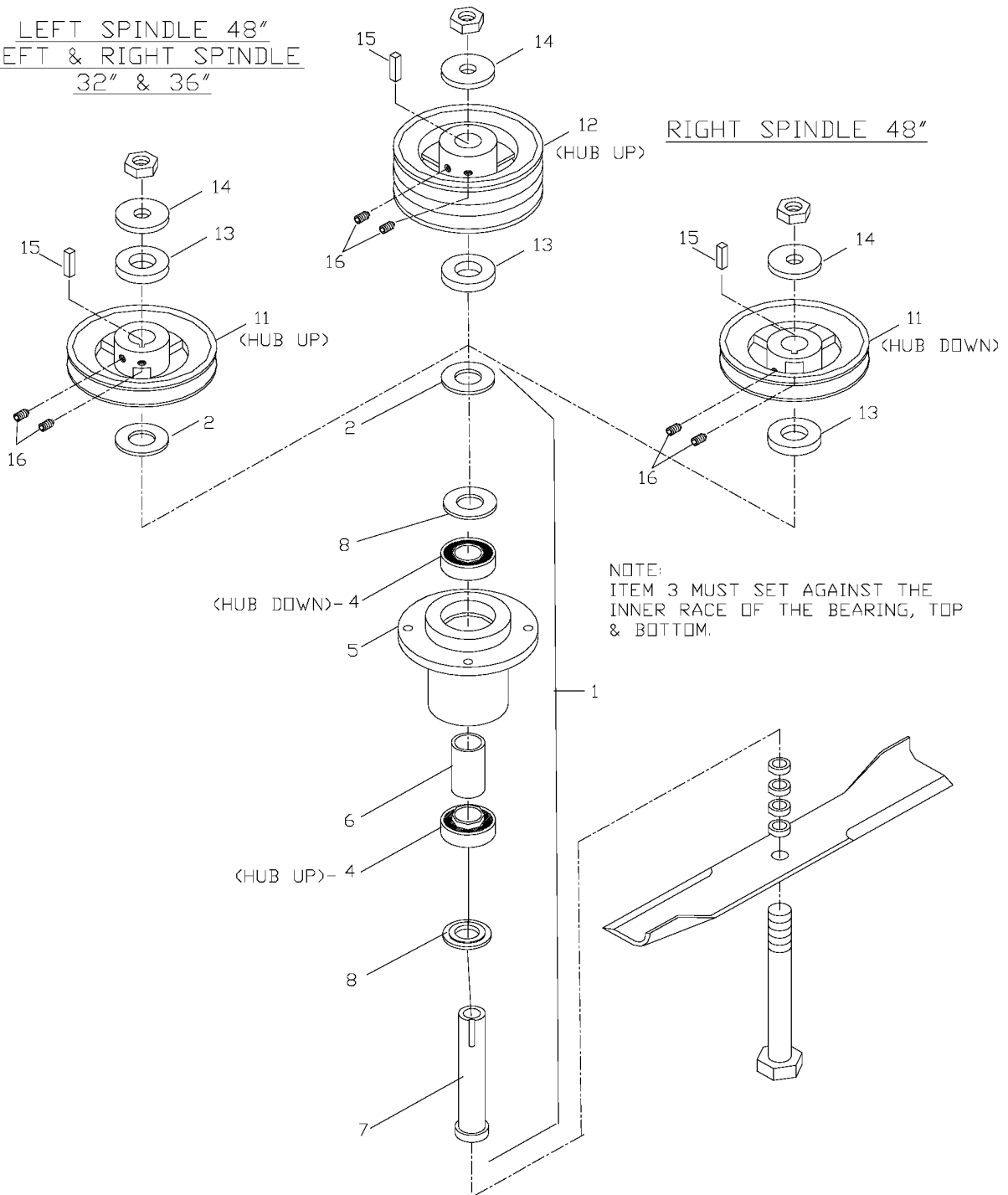
Ref	Part No	Description	Remark	QTY KIT
1	539 10 19-59	BELT		1
539102148	539 10 21-48	BELT		1
2	539 10 45-61	36" BELT SHIELD		1
539104650	539 10 46-50	32 BELT SHIELD		1
3	539 10 47-90	DECAL		1
4	539 10 20-70	KNOB, THREE PRONG		4
5	539 10 20-56	WASHER		4
6	539 99 05-46	NUT		4
7	539 99 06-13	NUT		3
8	539 10 23-34	TAPBOLT 3/8C X 4 1/2		2
9	539 97 69-80	NUT 5/8F HEX		2
10	539 10 19-95	KEY		2
11	539 97 63-98	PULLEY W/SETSCREWS		2
12	539 10 23-32	HCS 5/8F X 8 1/2		2
13	539 10 22-43	WASHER		2
14	539 10 03-41	BLADE		2
539100340	539 10 03-40	BLADE		2
15	539 97 64-36	SPACER		8
16	539 10 22-45	SPACER		2
17	539 10 26-75	BUSHING		2
18	539 10 24-40	SERVICE KIT		2
19	539 10 23-20	TUBE CAP		2
20	539 10 22-36	PLATE		1
23	539 99 01-84	NUT		16
24	539 99 02-09	SCREW		10
26	539 99 05-85	NUT		6
27	539 99 05-53	HCS 5/16 X 3		6
28	539 10 00-75	SNUBBER		1
29	539 97 69-56	SCREW		4
30	539 10 18-36	BUSHING, SLEEVE		1
31	539 10 19-79	ENGAGEMENT ARM		1
32	539 99 05-17	WASHER		3
33	539 99 06-29	SCREW		2
34	539 10 20-48	BLADE ROD 36"		1
35	539 97 69-88	PIN RETAINING SCREW		1
36	539 10 19-82	BOLT		1
37	539 99 01-96	NUT		1
38	539 10 19-83	TURNBUCKLE		1
39	539 10 19-81	EYEBOLT, LH		1
40	539 10 19-78	ARM WELDMENT		1
41	539 99 05-50	WASHER		1
42	539 10 13-32	SCREW		1
43	539 10 19-80	EYEBOLT PIVOT		1
44	539 97 66-88	PULLEY		1
45	539 10 26-56	SPACER		1
46	539 99 01-18	WASHER		1
47	539 99 06-37	SCREW		1
48	539 10 11-75	SCREW		6
49	539 99 02-47	WASHER		6
50	539 99 04-49	NUT 7/16C HEX		6
51	539 10 45-46	DEFLECTOR CHUTE		1
52	539 10 12-31	SPINDLE		1
53	539 10 13-31	NUT		1
54	539 91 30-10	DECAL		1
55	539 10 45-63	DECAL		1
539104620	539 10 46-20	DECAL		1
56	539 10 03-44	DECAL		1
57	539 10 50-71	DECAL		1

CUTTER HOUSING ASSEMBLY

CENTER SPINDLE 48"

LEFT SPINDLE 48"
LEFT & RIGHT SPINDLE
32" & 36"

RIGHT SPINDLE 48"



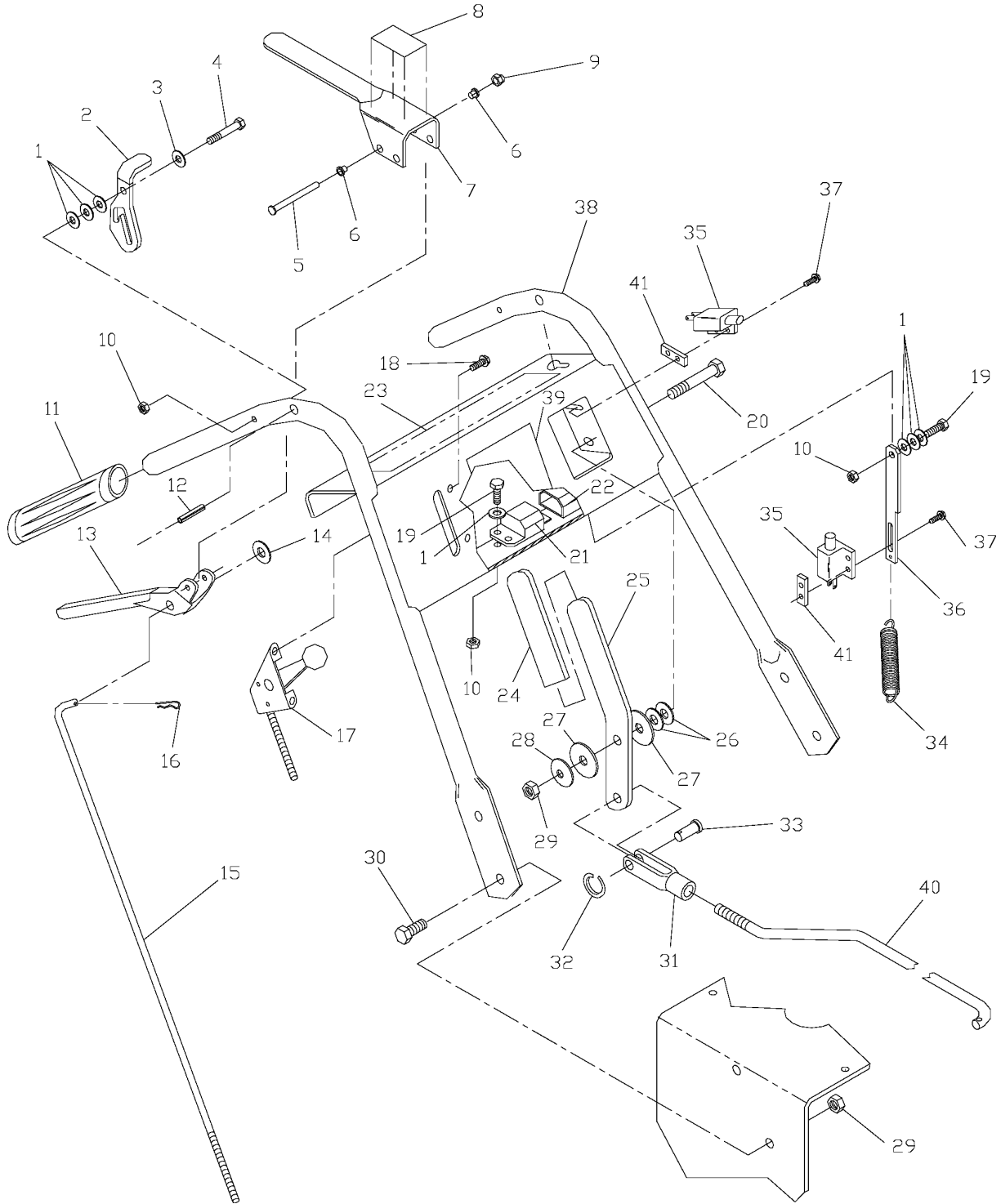
NOTE:
ITEM 3 MUST SET AGAINST THE
INNER RACE OF THE BEARING, TOP
& BOTTOM.

HOUSING

W4815A, 968999110, 2001-09

Ref	Part No	Description	Remark	QTY KIT
1	539 10 24-40	SERVICE KIT		1
2	539 10 26-75	BUSHING		3
3	539 10 22-44	BUSHING		2
4	539 10 26-77	BEARING		2
5	539 10 26-73	HOUSING		1
6	539 10 26-76	SPACER		1
7	539 10 26-74	SPINDLE		1
8	539 97 63-98	PULLEY W/SETSCREWS		1
9	539 10 18-19	PULLEY, DOUBLE W/SETS		1
10	539 10 22-45	SPACER		1
11	539 10 22-43	WASHER		1
12	539 10 19-95	KEY		1
13	539 97 69-56	SCREW		2

UPPER HANDLE

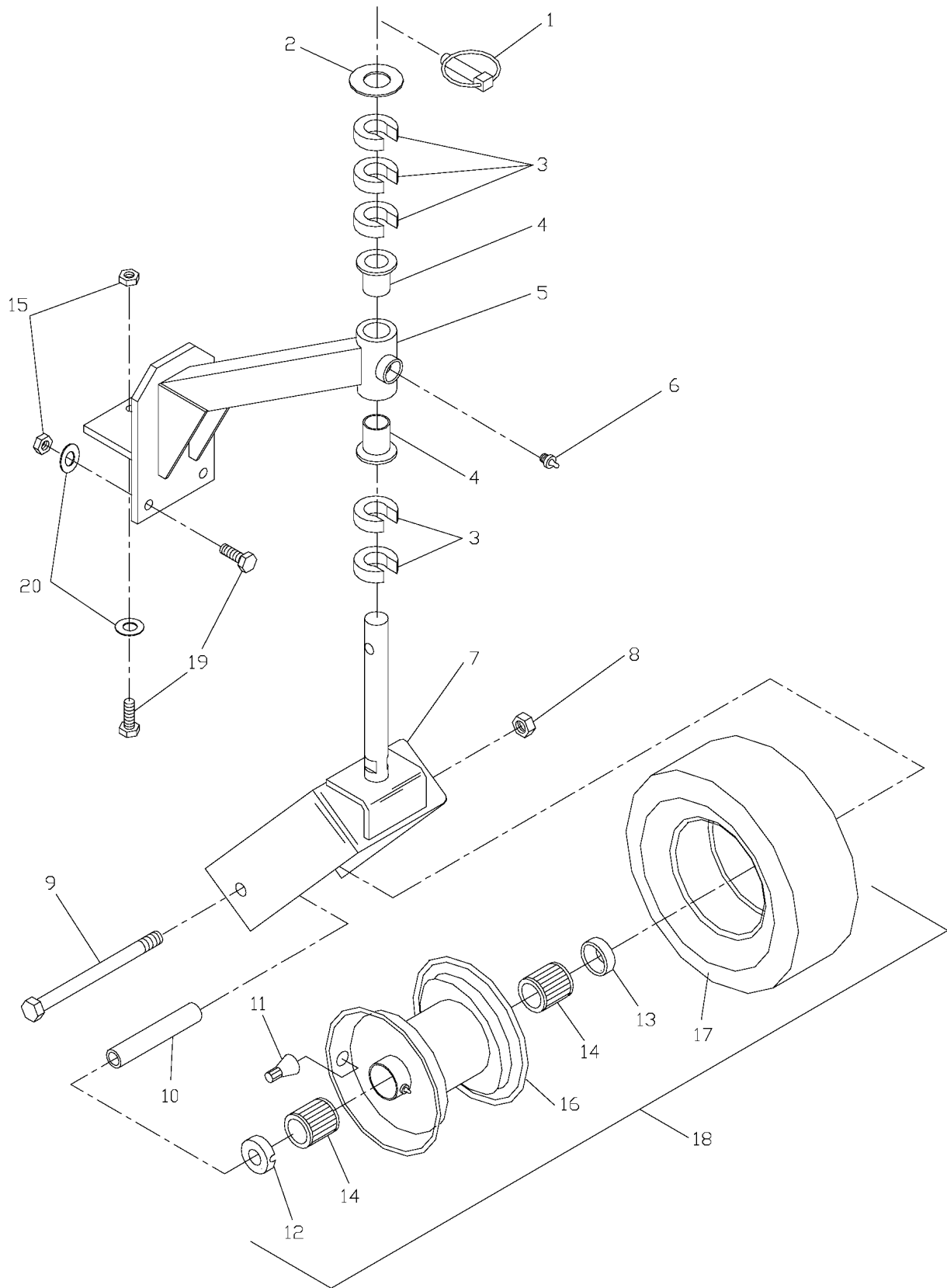


HANDLE & CONTROLS

W4815A, 968999110, 2001-09

Ref	Part No	Description	Remark	QTY KIT
1	539 99 00-55	WASHER 1/4 SAE		13
2	539 97 63-87	LATCH, LT. THUMB W/GRIP		1
539976388	539 97 63-88	LATCH, RT.THUMP W/GRIP		1
3	539 97 69-83	WASHER		2
4	539 99 10-03	BOLT		2
5	539 97 78-84	PIN		2
6	539 97 78-86	BUSHING		4
7	539 97 78-57	LEVER O P W/GRIP		2
8	539 10 02-85	DECAL		2
9	539 91 47-34	NUT, PUSH		2
10	539 99 07-61	NUT		5
11	539 97 64-88	GRIP		2
12	539 92 33-13	ROLL PIN 5/16 X 1.125		2
13	539 10 17-91	LEVER, MOLDED DRIVE		2
14	539 99 06-92	WASHER		2
15	539 10 19-86	TRACTION ROD		2
16	539 97 69-88	PIN RETAINING SCREW		2
17	539 10 19-63	THROTTLE CONTROL W/BALL		1
18	539 99 03-02	HWST 1/4C X 3/8		2
19	539 99 05-80	SCREW		3
20	539 99 06-55	SCREW		1
21	539 10 17-81	MODULE		1
22	539 10 19-84	HANDLE HARNESS		1
23	539 10 19-35	DECAL		1
24	539 97 65-26	HANDLE		1
25	539 10 00-82	LEVER		1
26	539 99 05-17	WASHER		2
27	539 10 12-19	WASHER		2
28	539 91 20-63	CONE WASHER		1
29	539 99 05-46	NUT		5
30	539 99 05-63	SCREW		4
31	539 97 74-65	BRACKET		1
32	539 91 64-59	RETAINER		1
33	539 97 77-03	PIN RETAINING SCREW		1
34	539 97 72-50	SPRING		2
35	539 91 90-98	SWITCH		3
36	539 10 18-01	LINKAGE, O P		2
37	539 97 69-52	SCREW		6
38	539 10 20-62	DECAL		1
39	539 10 18-91	DECAL		1
40	539 10 19-72	BLADE ROD		1
41	539 10 26-78	PLATE		3

FRONT CASTER

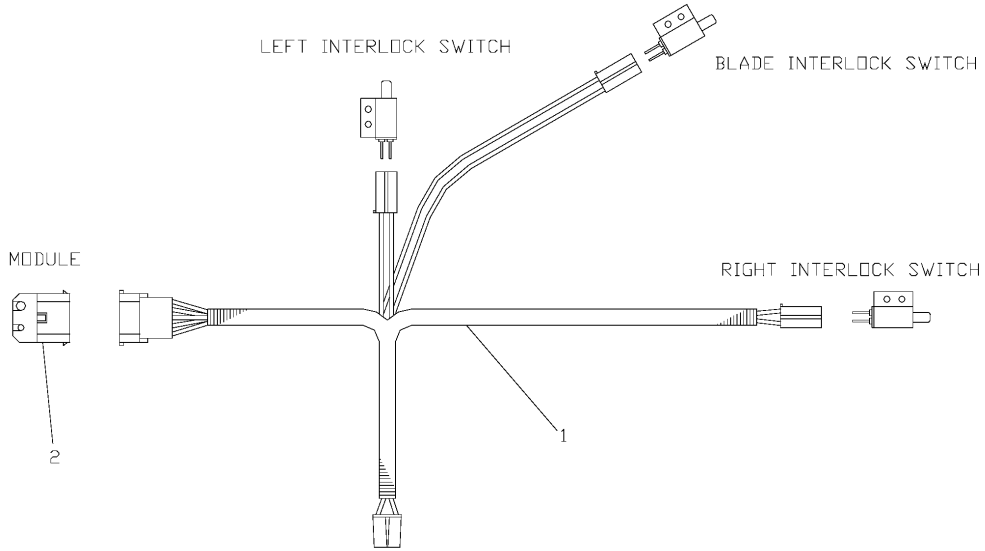


CASTERS

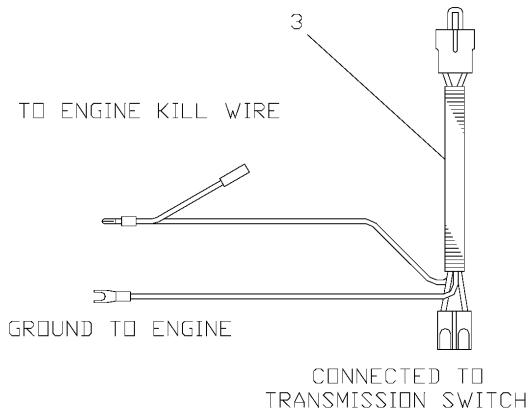
W4815A, 968999110, 2001-09

Ref	Part No	Description	Remark	QTY KIT
1	539 10 18-74	LYNCH PIN 7/16		1
2	539 91 65-61	MACHINE BUSHING		1
3	539 10 18-73	C-SPACER		5
4	539 10 12-32	BUSHING		2
5	539 10 45-55	CASTER ARM W/BUSHING		1
6	539 97 69-97	NIPPLE		1
7	539 10 45-54	CASTER YOKE		1
8	539 10 13-31	NUT		1
9	539 10 19-07	SCREW		1
10	539 10 18-72	SPACER		1
11	539 91 22-34	VALVE		1
12	539 97 73-56	ENDCAP, NOTCHED		1
13	539 92 35-57	ENDCAP		1
14	539 97 73-53	ROLLER BEARING		2
15	539 99 05-46	NUT		3
16	539 10 46-18	RIM		1
17	539 10 19-05	TIRE, 9"		1
18	539 10 45-56	TIRE		1
19	539 99 05-63	SCREW		3
20	539 99 05-17	WASHER		3
21	539 10 45-59	WHEEL CASTER ASM KIT, FRONT		1

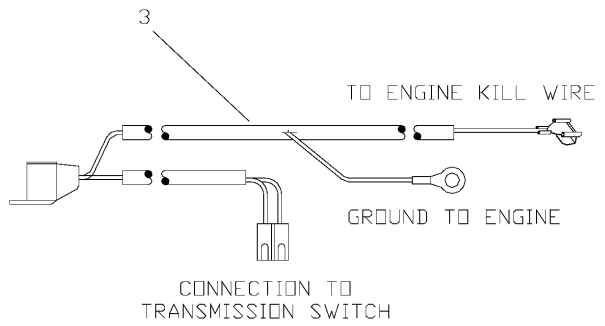
UPPER HANDLE WIRING HARNESS



GROUND HARNESS KAWASAKI



GROUND HARNESS KOHLER



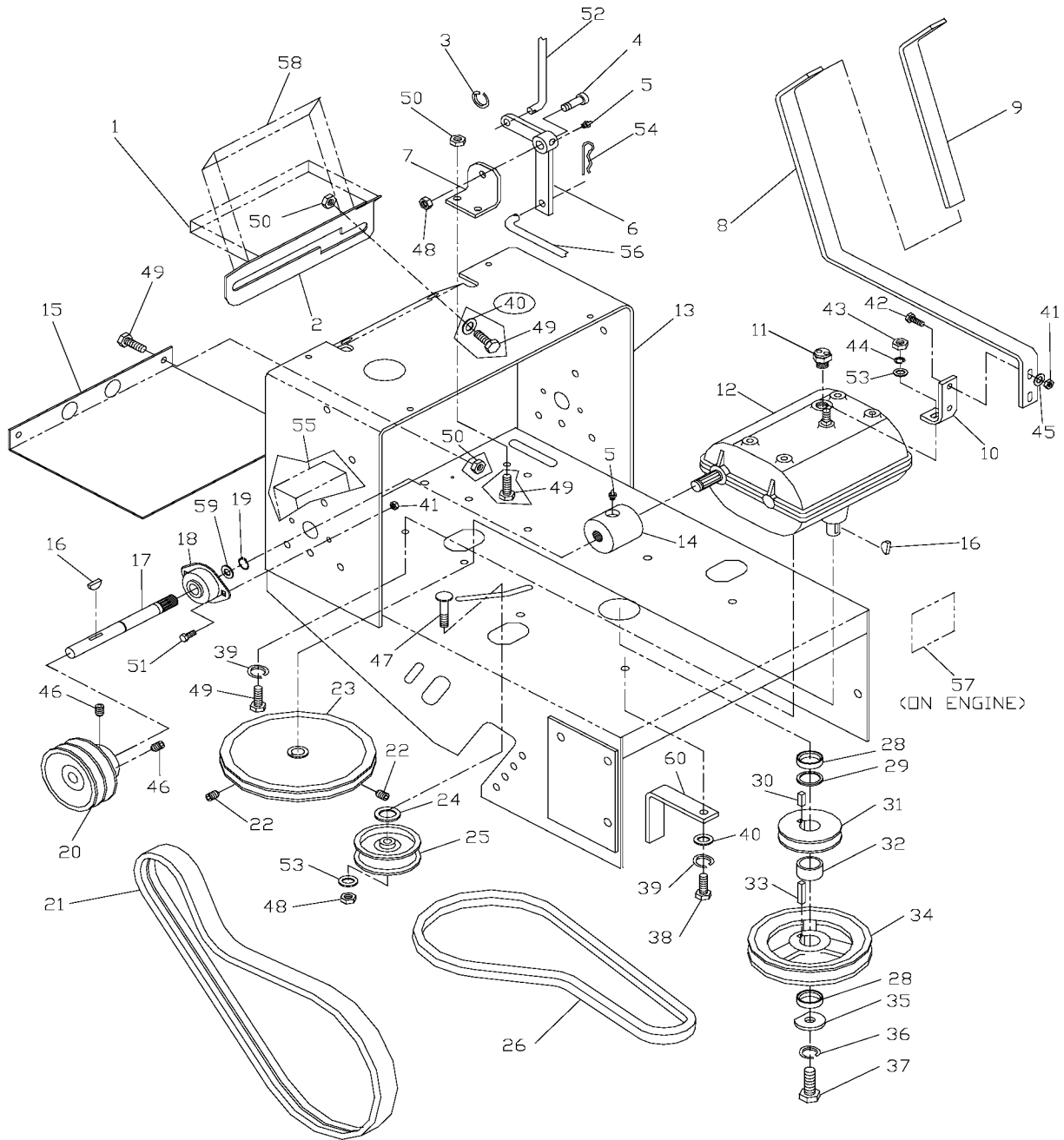
WIRING HARNESS

W4815A, 968999110, 2001-09

Ref	Part No	Description	Remark	QTY KIT
1	539 10 19-84	HANDLE HARNESS		1
2	539 10 17-81	MODULE		1
3	539 10 19-90	GROUND HARNESS KAW		1
539104991	539 10 49-91	GROUND HARNESS		1

TRANSMISSION & SHIFTER GROUP

32", 36", & 48" MODELS



TRANSMISSION

W4815A, 968999110, 2001-09

Ref	Part No	Description	Remark	QTY KIT
1	539 10 20-75	TRANSMISSION CASE		1
2	539 10 03-71	TRANSMISSION COVER		1
3	539 10 21-79	OUTPUT & BRAKE SHAFT		1
4	539 10 20-77	SPUR GEAR (27 TEETH)		1
5	539 10 03-77	SPUR GEAR (30 TEETH)		1
6	539 10 20-78	SPUR GEAR (32 TEETH)		1
7	539 10 03-76	SPUR GEAR (35 TEETH)		1
8	539 10 20-79	SPUR GEAR (37 TEETH)		1
9	539 97 75-61	SHIFT COLLAR		1
10	539 97 75-62	SPROCKET (18 TEECH)		1
11	539 97 75-63	SPROCKET (9 TEECH)		1
12	539 97 75-64	COUNTERSHAFT		1
13	539 97 75-65	GEAR, BEVEL (42 TEETH)		1
14	539 10 20-80	SPUR GEAR (12 TEETH)		1
15	539 10 20-81	SPUR GEAR (15 TEETH)		1
16	539 10 03-82	SPUR GEAR (20 TEETH)		1
17	539 10 20-82	SPUR GEAR (23 TEETH)		1
18	539 97 75-71	INPUT SHAFT		1
19	539 10 03-72	INPUT BEVEL PINION		1
20	539 10 20-83	SPUR GEAR (18 TEETH)		1
21	539 11 08-59	BELT		2
23	539 10 03-74	THRUST BEARING		1
26	539 10 19-57	BELT		1
27	539 97 75-73	BUSHING		4
28	539 97 75-74	CHAIN, ROLLER #41 24 LINK		1
29	539 97 75-75	THRUST WASHER		6
30	539 97 75-92	NEEDLE BEARING		1
31	539 97 75-76	NEEDLE BEARING		1
32	539 97 75-77	RETAINER RING		1
33	539 10 20-84	WASHER, THRUST		1
34	539 97 75-79	RETAINING RING		1
35	539 10 21-80	SHIFT ROD & FORK		1
36	539 97 75-81	W FLANGED HEX HD THREADFOR		6
37	977582			4
40	977583			1
41	977584			1
42	977585			1
43	977586			5
44	977587			1
45	100148			1
46	100388			1
47	102162			1