

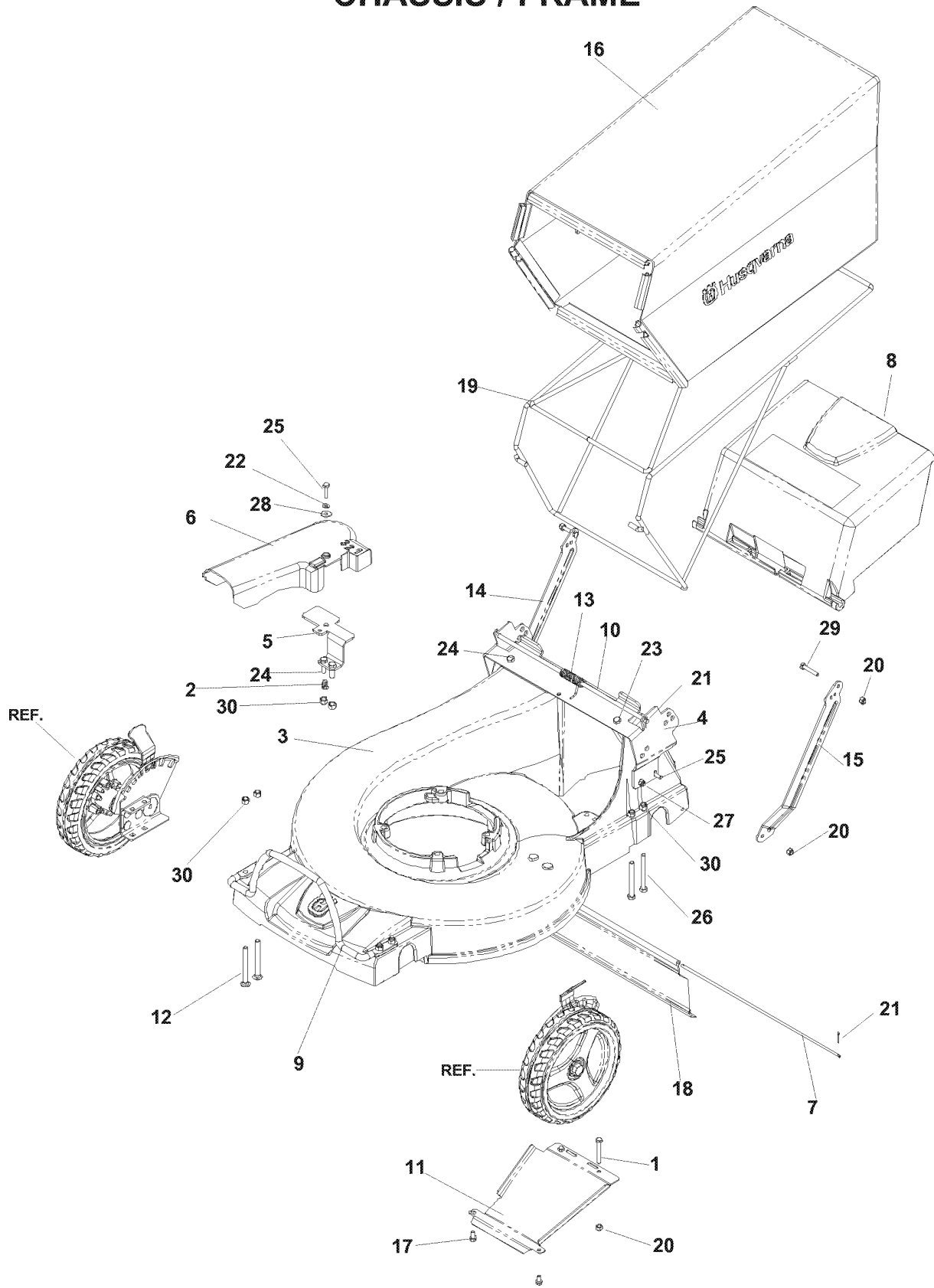


SPARE PARTS LIST

LAWN MOWERS: COMMERCIAL
WALK-BEHINDS

W53SBEK, 968999287, 2007-03

CHASSIS / FRAME



CHASSIS / FRAME

W53SBEK, 968999287, 2007-03

Ref	Part No	Description	Remark	QTY KIT
1	539 10 13-13	HCS 1/4C X 2		2
2	539 10 81-47	INSERT		1
3	539 11 30-49	DECAL		1
4	539 11 15-21	TOP SADDLE		1
5	539 11 15-30	DECK		1
6	539 11 15-36	BELT SHIELD		1
7	539 11 15-38	FLAP		1
8	539 11 15-40	DESCHARGE FLAP		1
9	539 11 18-63	GUARD		1
10	539 11 18-68	HINGE		1
11	539 11 19-64	CHUTE BOTTOM		1
12	539 11 19-77	RHSNB, 5/16C X 3 1/4, GR5		4
13	539 11 19-95	SPRING, TORSION		1
14	539 11 20-47	HANDLE BRACE, RIGHT		1
15	539 11 21-11	HANDLE BRACE, LEFT		1
16	539 11 22-93	GRASS BAG		1
539 112948	539 11 29-48	GRASS BAG		1
17	539 11 27-93	SCREW, 1/4-14 X 1/2, THD FORM		2
18	539 11 29-13	REAR FLAP		1
19	539 11 35-45	BAG FRAME		1
20	539 97 69-78	NUT		8
21	539 99 00-37	PIN RETAINING SCREW		4
22	539 99 00-52	WASHER		1
23	539 99 02-06	SCREW		1
24	539 99 02-09	SCREW		3
25	539 99 05-48	SCREW		3
26	539 99 05-53	HCS 5/16 X 3		4
27	539 99 05-80	SCREW		2
28	539 99 05-98	WASHER		1
29	539 99 06-39	SCREW		2
30	539 99 07-17	NUT		12

WHEELS & TIRES

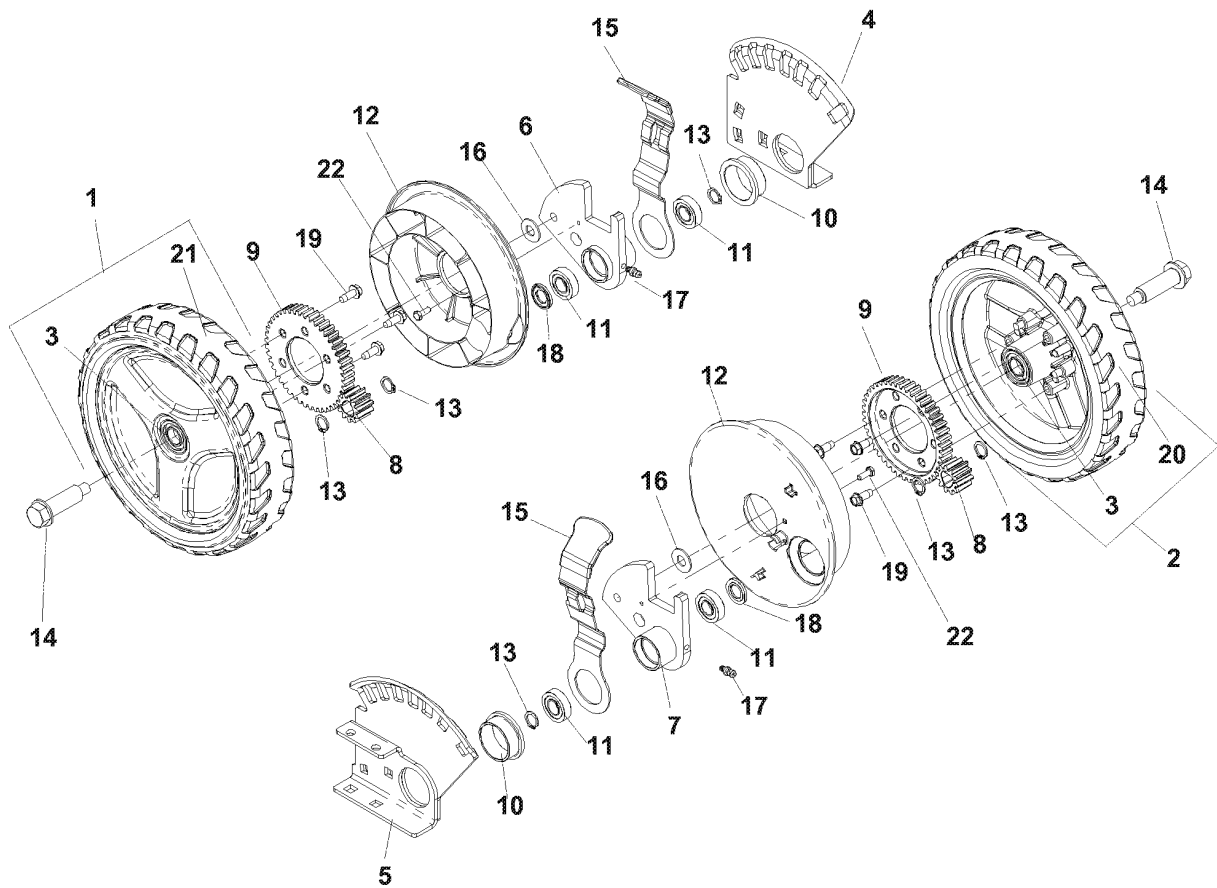
W53SBEK, 968999287, 2007-03

Ref	Part No	Description	Remark	QTY KIT
1	539 11 15-03	WHEEL		1
2	539 11 19-72	WHEEL		1
3	539 11 18-86	FRONT DECK PLATE, LEFT		1
4	539 11 18-88	FRONT PLATE, LEFT		1
5	539 11 18-87	FRONT DECK PLATE, RIGHT		1
6	539 11 18-89	FRONT PLATE, RIGHT		1
7	539 11 18-73	SHOULDER BOLT		2
8	539 11 18-94	LEVER		2
9	539 11 18-97	WASHER, 3/8, SPEC		2
10	539 11 19-55	WHEEL PLATE, FRONT		2
11	539 11 27-89	AXLE WASHER		2
12	539 11 02-67	BUSHING		2
13	539 99 01-18	WASHER		2
14	539 99 01-84	NUT		6
15	539 99 01-88	WASHER		6
16	539 99 05-63	SCREW		2
17	539 99 07-99	BOLT		6
18	539 11 19-71	TIRE, 9", RIGHT		1
19	539 11 15-02	TIRE, 9", LEFT		1
20	539 11 15-04	BEARING		2

WHEELS & TIRES

REAR WHEELS

MODELS: 968999284, 968999286, 968999287, 968999289,
968999639, 968999640



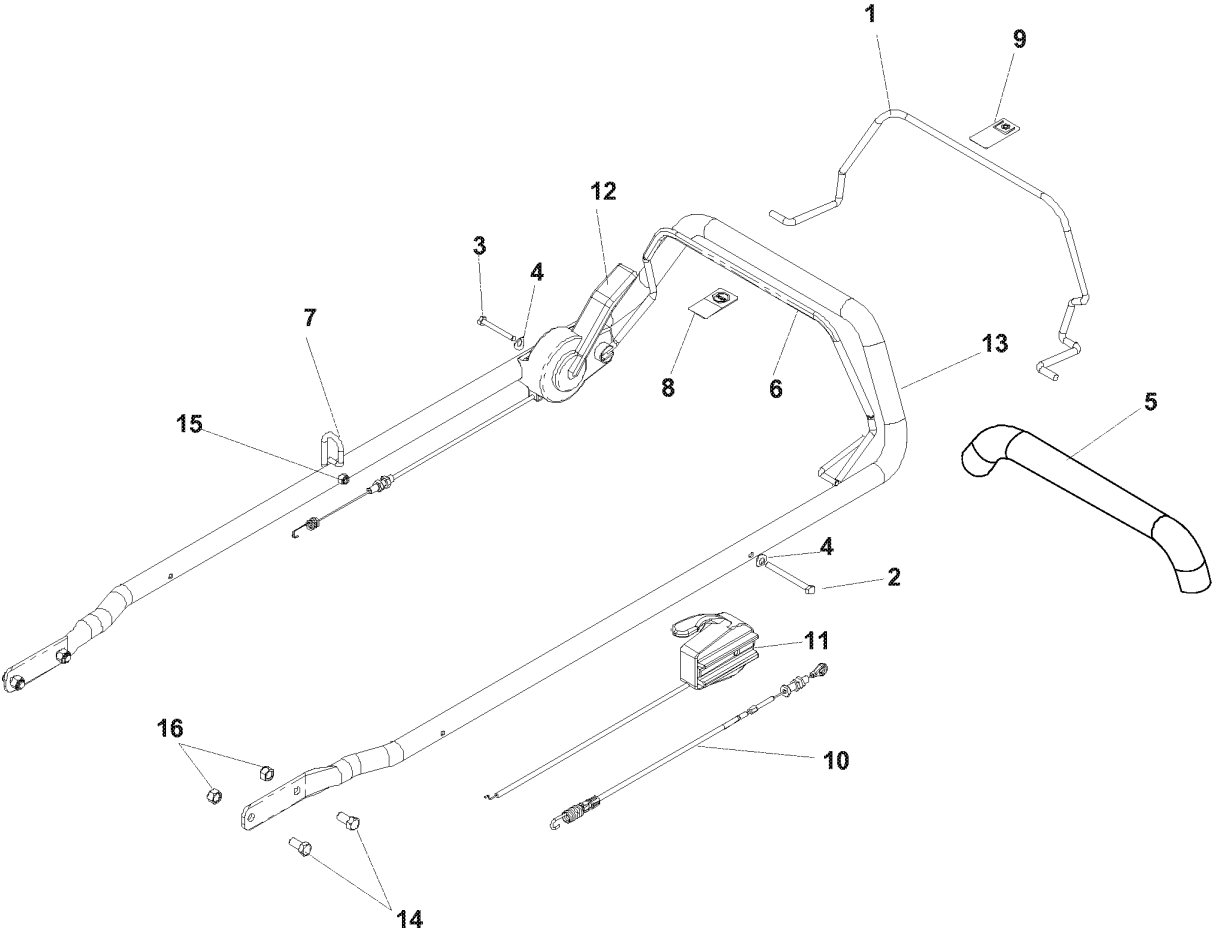
WHEELS & TIRES

W53SBEK, 968999287, 2007-03

Ref	Part No	Description	Remark	QTY KIT
1	539 11 15-03	WHEEL		1
2	539 11 19-72	WHEEL		1
3	539 11 15-04	BEARING		2
4	539 11 15-13	WHEEL MOUNT, LEFT		1
5	539 11 18-75	WHEEL MOUNT, RIGHT		1
6	539 11 15-19	OUTER WHEEL, LEFT		1
7	539 11 18-67	OUTER WHEEL, RIGHT		1
8	539 11 15-09	PINION		2
9	539 11 15-11	GEAR		2
10	539 11 15-16	BUSHING		2
11	539 11 15-17	BEARING, TRANSMISSION SHAFT		4
12	539 11 15-47	DEBRIS GUARD		2
13	539 11 18-72	RING		6
14	539 11 18-73	SHOULDER BOLT		2
15	539 11 19-50	LEVER		2
16	539 11 27-89	AXLE WASHER		2
17	539 11 56-38	ZERK, 3/16, DRIVE IN		2
18	539 11 31-38	WASHER		2
19	539 99 03-62	SCREW		6
20	539 11 19-71	TIRE, 9", RIGHT		1
21	539 11 15-02	TIRE, 9", LEFT		1
22	539 99 04-11	SCREW		2

HANDLE & CONTROLS

BLADE, BRAKE, CLUTCH (BBC)
MODELS: 968999286, 968999287, 968999640



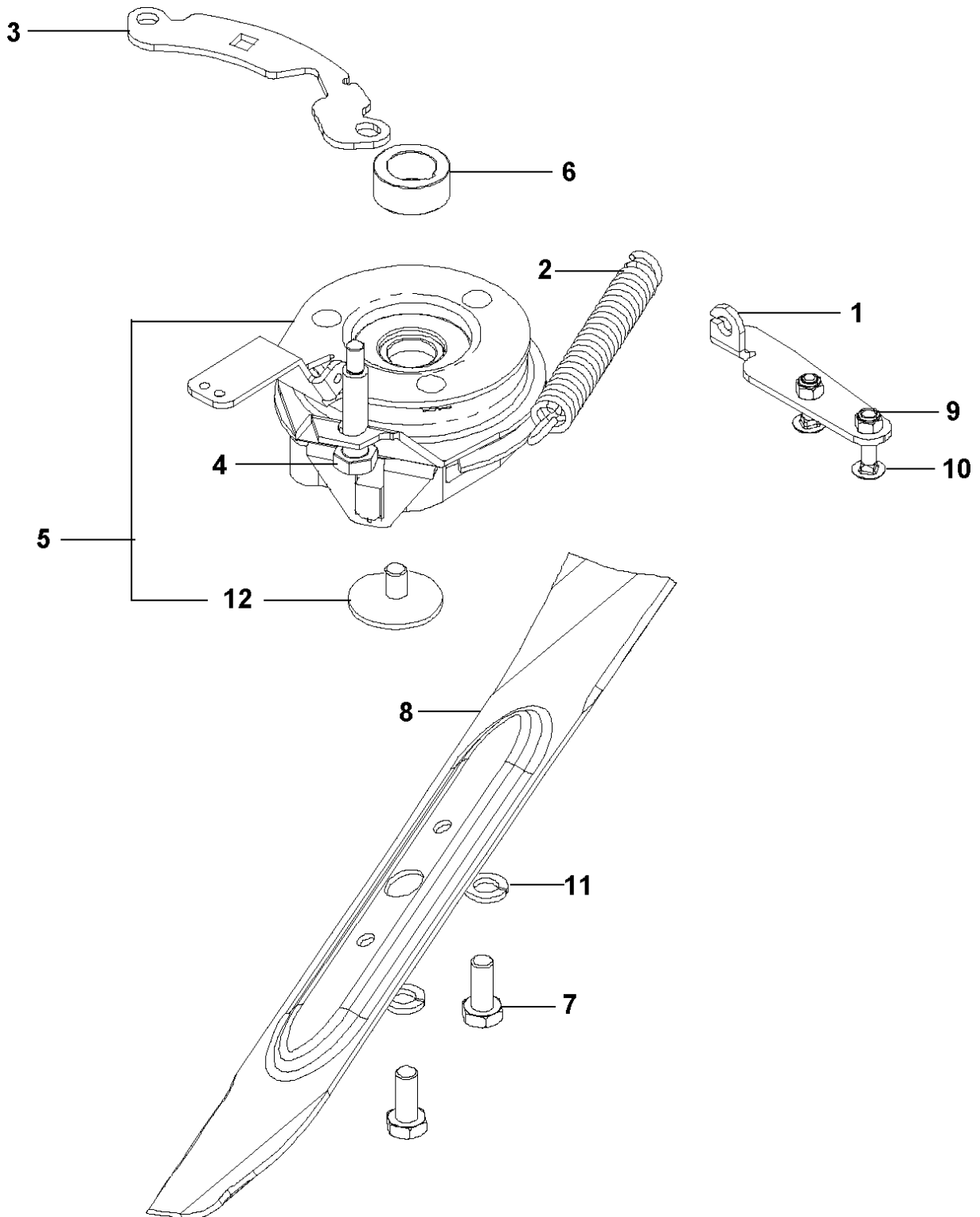
HANDLE & CONTROLS

W53SBEK, 968999287, 2007-03

Ref	Part No	Description	Remark	QTY KIT
1	539 11 19-93	BAIL		1
2	539 11 22-76	HCS, M6-1.0 X 70, GR8.8		1
3	539 11 22-77	HCS, M6-1.0 X 50, GR8.8		1
4	539 11 04-88	WASHER, 5/16, WAVE		2
5	539 12 26-35	FOAM GRIP (GROUND) 15'		1
6	539 11 29-07	BAIL		1
7	539 11 29-22	ROPE GUIDE		1
8	539 11 30-67	DECAL		1
9	539 11 30-68	DECAL		1
10	539 11 31-10	CONTROL		1
11	539 11 31-13	THROTTLE CABLE ASSY		1
12	539 11 31-14	CABLE		1
13	539 11 31-17	HANDLE		1
14	539 99 01-34	BOLT		4
15	539 97 69-78	NUT		1
16	539 97 69-79	NUT		4
539 976856	539 97 68-56	TIE WRAP		7

CUTTING EQUIPMENT

BLADE, BRAKE, CLUTCH (BBC)
MODELS: 968999286, 968999640



CUTTING EQUIPMENT

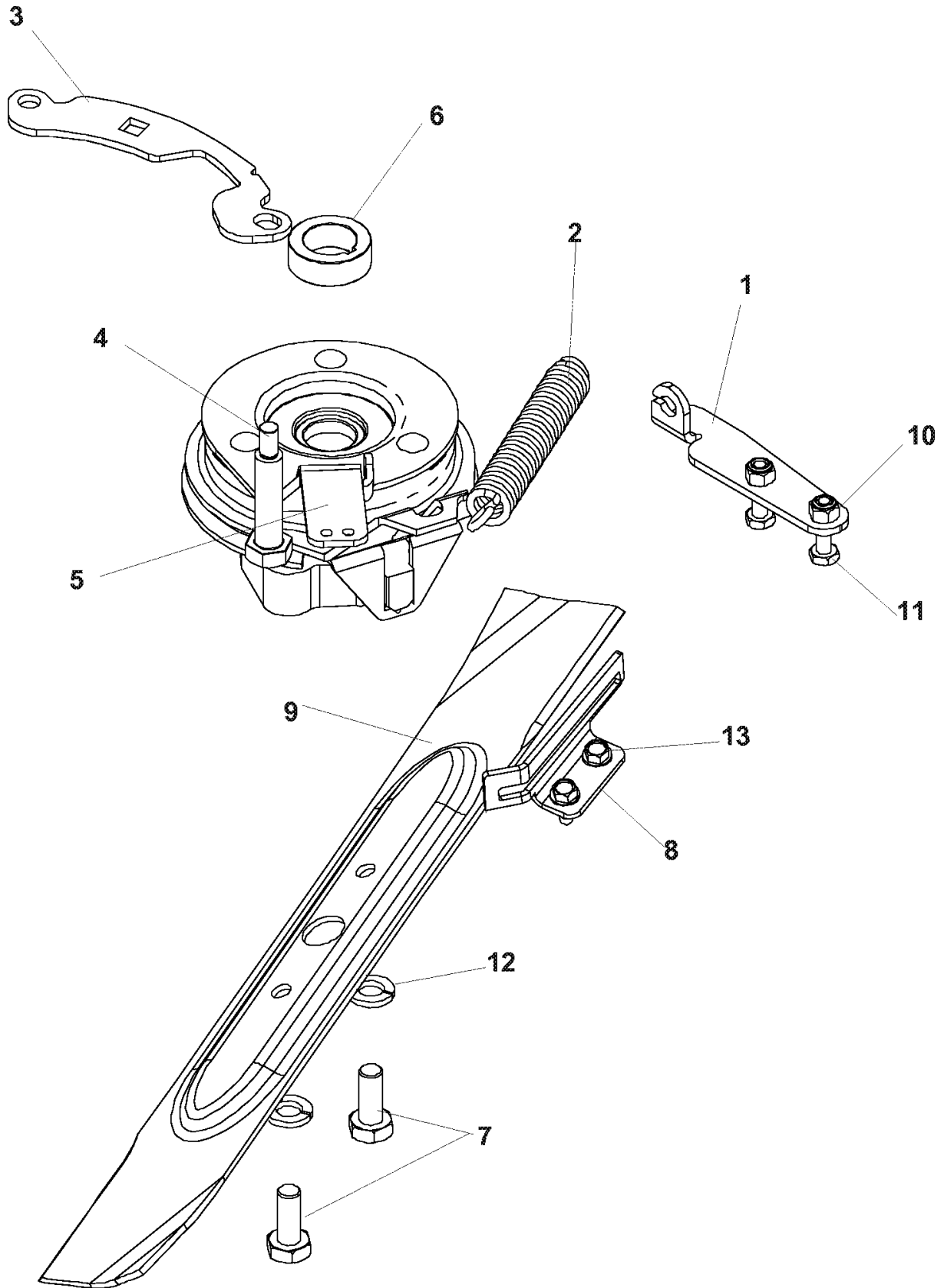
W53SBEK, 968999287, 2007-03

Ref	Part No	Description	Remark	QTY KIT
1	539 11 15-43	CABLE		1
2	539 11 15-48	SPRING, CLUTCH		1
3	539 11 15-49	CLUTCH		1
4	539 11 19-60	BOLT		1
5	539 11 19-65	CLUTCH		1
6	539 11 19-74	SPACER		1
7	539 11 19-97	HCS, M10-1.5 X 25 MM, GR8		2
8	539 13 07-38	BLADE		1
9	539 97 69-78	NUT		2
10	539 97 77-61	SCREW		2
11	539 99 02-47	WASHER		2
12	578 93 63-01	BOLT		1

CUTTING EQUIPMENT

BLADE, BRAKE, CLUTCH (BBC CE)

MODELS: 968999287



CUTTING EQUIPMENT

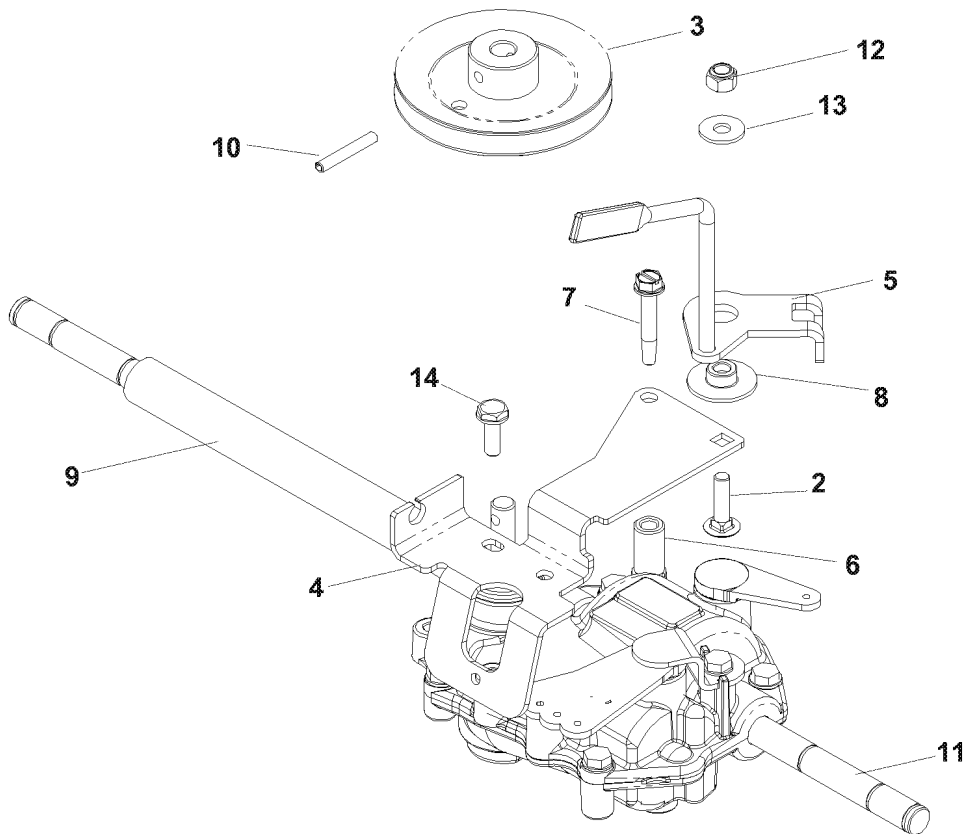
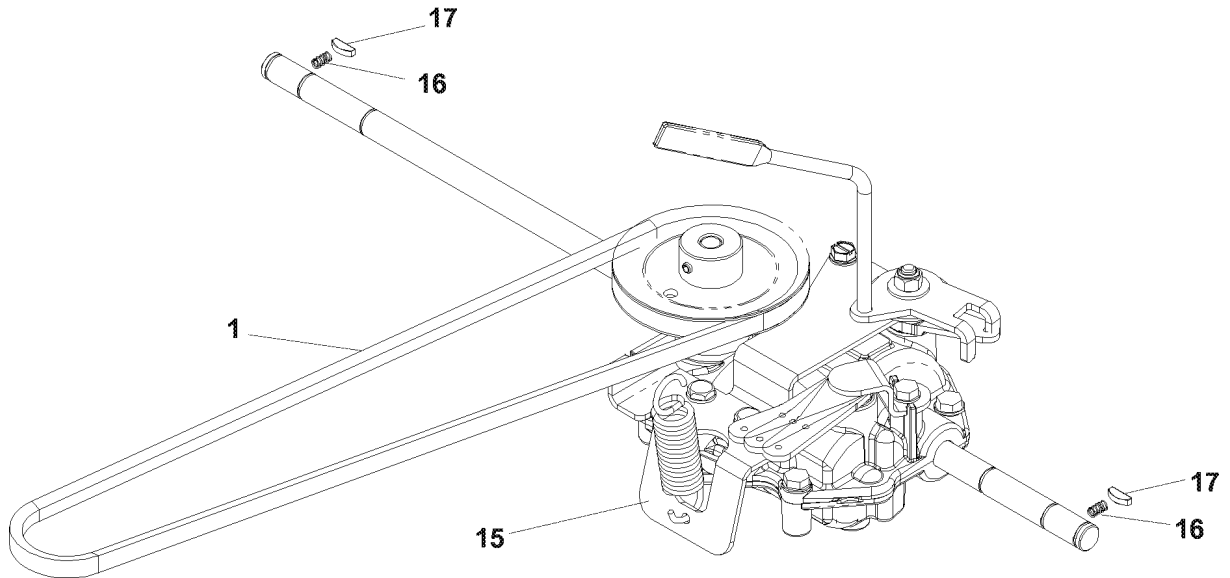
W53SBEK, 968999287, 2007-03

Ref	Part No	Description	Remark	QTY KIT
1	539 11 15-43	CABLE		1
2	539 11 15-48	SPRING, CLUTCH		1
3	539 11 15-49	CLUTCH		1
4	539 11 19-60	BOLT		1
5	539 11 19-65	CLUTCH		1
6	539 11 19-74	SPACER		1
7	539 11 19-97	HCS, M10-1.5 X 25 MM, GR8		2
8	539 11 33-91	DECK GUARD, BBC		1
9	539 13 08-11	BLADE		1
10	539 97 69-78	NUT		2
11	539 97 77-61	SCREW		2
12	539 99 02-47	WASHER		2
13	539 99 03-62	SCREW		2

TRANSMISSION

SELF PROPELLED

MODELS: 968999284, 968999286, 968999287,
968999289, 968999639, 968999640



TRANSMISSION

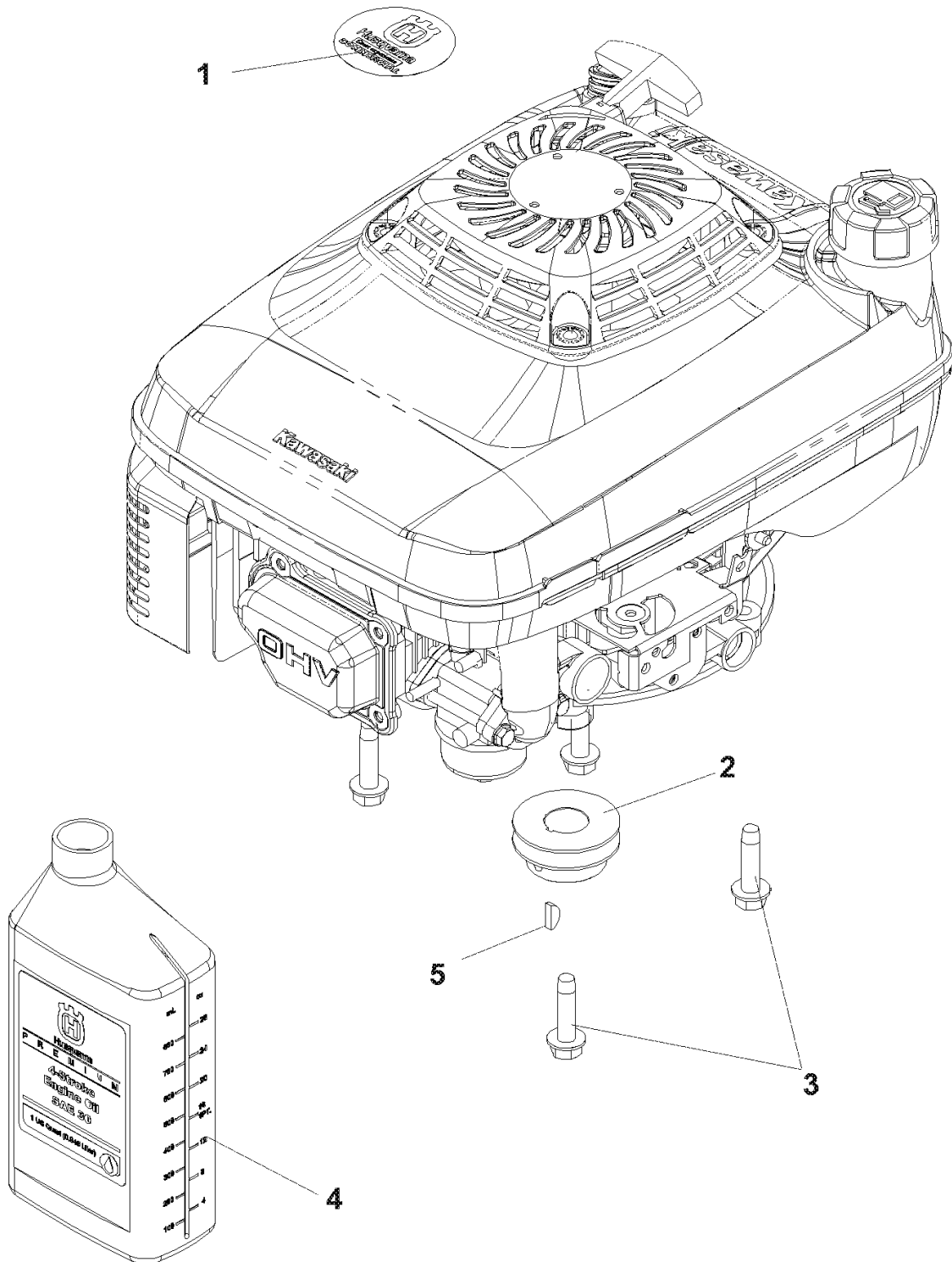
W53SBEK, 968999287, 2007-03

Ref	Part No	Description	Remark	QTY KIT
1	539 11 15-31	BELT		1
2	539 10 98-00	BOLT		1
3	539 11 15-28	DRIVEN PULLEY		1
4	539 11 15-29	CABLE		1
5	539 11 15-35	LEVER		1
6	539 11 18-77	TRANSMISSION SPACER		1
7	539 11 20-46	HCS, 1/4-14 X 1 1/2, SELF TAP		1
8	539 11 29-11	PIVOT BUSHING		1
9	539 11 29-15	SHAFT COVER		1
10	539 11 31-00	PIN		1
11	539 11 31-39	TRANSMISSION W/GREASE SLOT, T13C		1
12	539 97 69-78	NUT		1
13	539 99 05-98	WASHER		1
14	539 99 10-81	SCREW, 1/4-14 X 3/4, SELF TAP		2
15	539 11 18-90	SPRING		1
16	539 11 18-91	KEY SPRING		2
17	539 11 18-93	KEY		2

ENGINE

KAWASAKI BBC - CE

MODEL: 968999287



ENGINE

W53SBEK, 968999287, 2007-03

Ref	Part No	Description	Remark	QTY KIT
1	539 11 01-24	DECAL		1
2	539 11 15-25	ENGINE PULLEY		1
3	539 11 19-70	BOLT		4
4	539 11 29-46	OIL W/LABEL, QT		1
5	539 91 00-08	KEY		1

DECALS



3



6



1



4



5

7



2



8

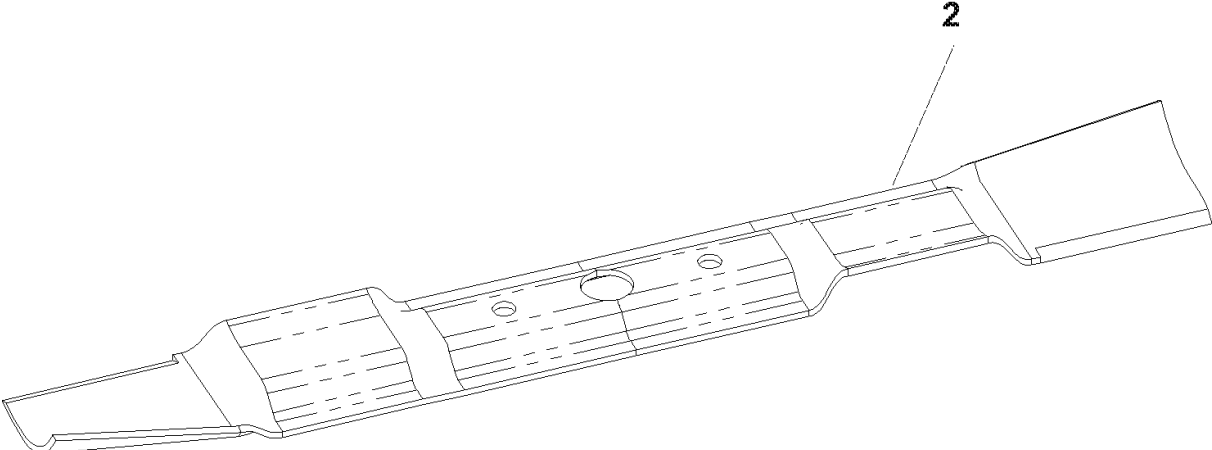
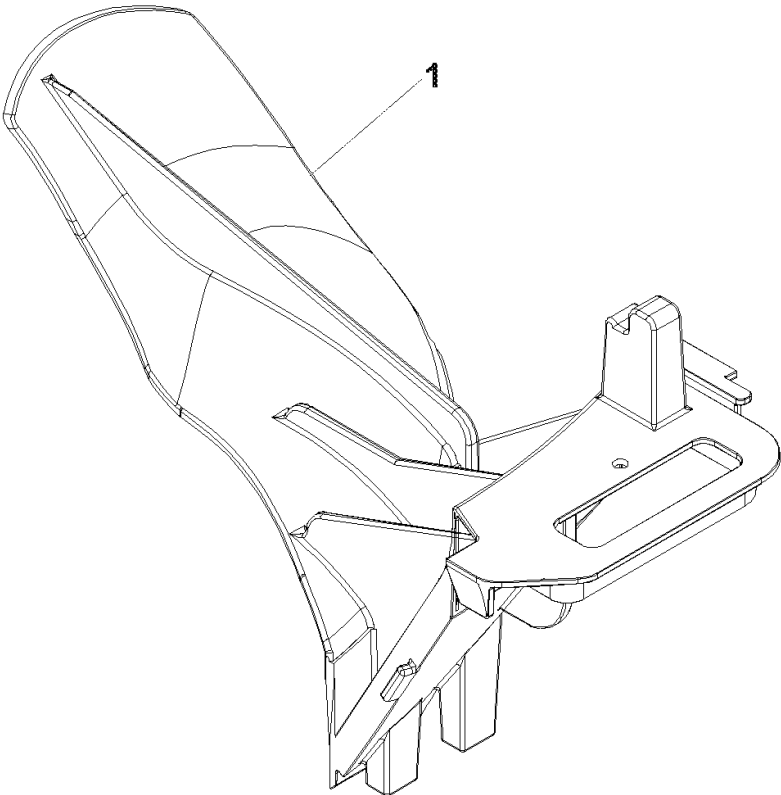
DECALS

W53SBEK, 968999287, 2007-03

Ref	Part No	Description	Remark	QTY KIT
1	539 13 02-39	DECAL		1
2	539 91 30-10	DECAL		1
3	539 13 02-40	DECAL		1
4	539 11 15-14	DECAL		1
5	539 11 32-24	DECAL		1
6	539 10 18-81	DECAL		1
7	539 11 02-78	DECAL		1
8	539 11 02-79	DECAL		1

ACCESSORIES

MULCH KIT 113051 (BBC)



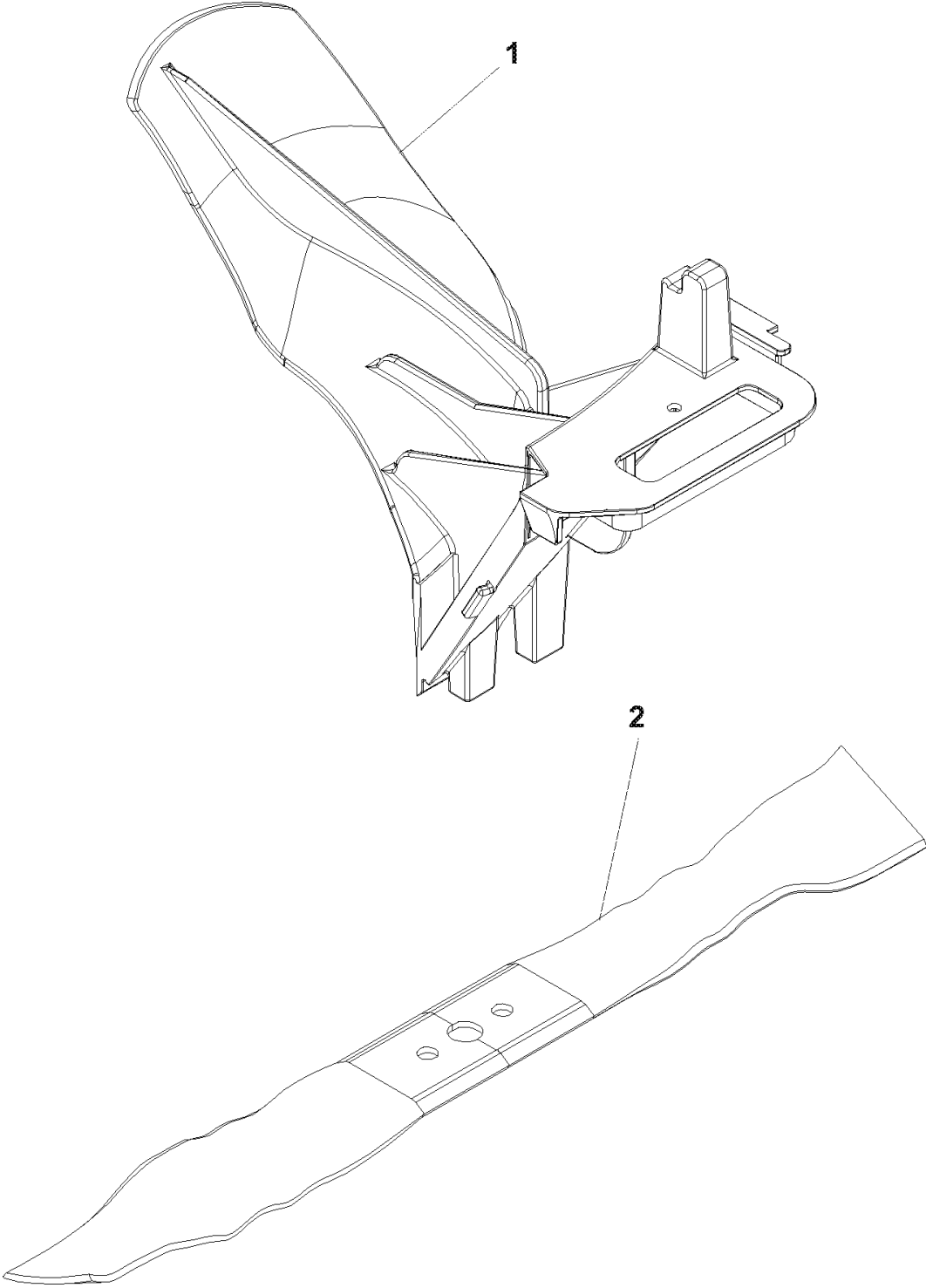
ACCESSORIES

W53SBEK, 968999287, 2007-03

Ref	Part No	Description	Remark	QTY KIT
1	539 11 15-15	MULCH PLUG		1
2	539 11 19-58	BLADE		1

ACCESSORIES

MULCH KIT 113052 (BRAKE)



ACCESSORIES

W53SBEK, 968999287, 2007-03

Ref	Part No	Description	Remark	QTY KIT
1	539 11 15-15	MULCH PLUG		1
2	539 11 18-78	BLADE, 21", MULCH		1