

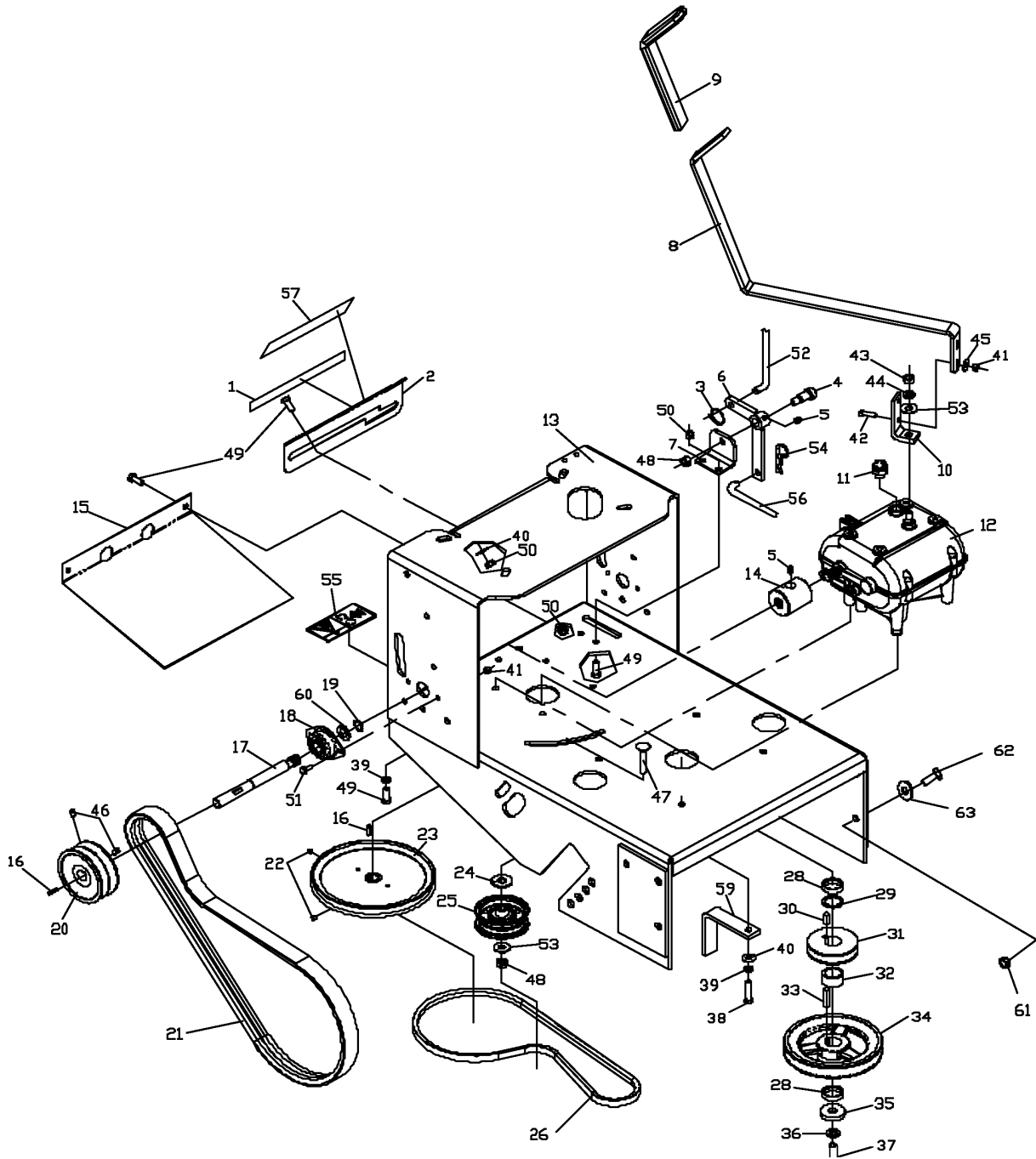


# SPARE PARTS LIST

LAWN MOWERS: COMMERCIAL  
WALK-BEHINDS

WG3613E, 968999365, 2006-02

# Rear Deck Assembly

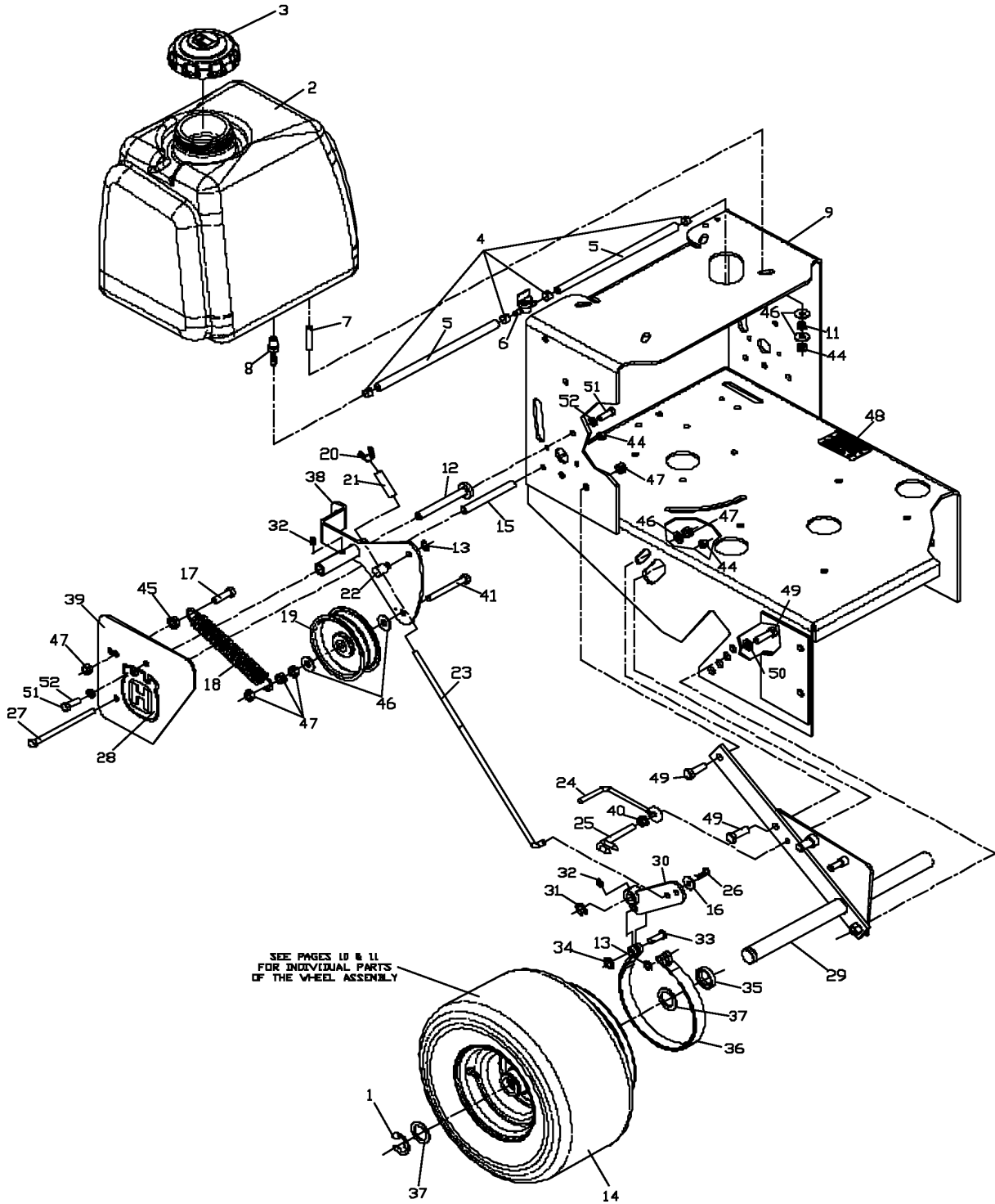


## CHASSIS / FRAME

WG3613E, 968999365, 2006-02

Ref	Part No	Description	Remark	QTY KIT
1	539 10 02-77	DECAL		1
2	539 10 19-60	SHIFTER PLATE		1
3	539 91 64-59	RETAINER		1
4	539 10 01-50	SB 12C X 34		1
5	539 97 69-98	NIPPLE		3
6	539 10 00-66	BELLCRANK		1
7	539 10 19-30	BRACKET		1
8	539 10 19-61	SHIFTER ARM		1
9	539 10 19-65	SHIFTER GRIP		1
10	539 10 21-65	SHIFTER BRACKET		1
11	539 10 01-48	SWITCH, TRANS		1
12	539 10 21-62	TRANSMISSION		1
13	539 10 65-54	DECAL		1
14	539 10 21-64	COUPLING		2
15	539 10 45-47	BRACKET		1
16	539 91 02-11	KEY, #9 WOODRUFF		3
17	539 10 21-63	DRIVE SHAFT		2
18	539 10 19-67	BEARING		2
19	539 10 19-71	RETAINER RING		2
20	539 10 19-54	PULLEY		2
21	539 11 08-59	BELT		2
22	539 10 19-88	SETSCREW, 1/4-20 NYLOC		2
23	539 10 19-64	PULLEY, INPUT		1
24	539 99 05-50	WASHER		1
25	539 91 90-78	PULLEY		1
26	539 10 19-57	BELT		1
27	539 10 20-36	BELT GUIDE		1
28	539 92 19-60	SPACER		2
29	539 10 20-50	BUSHING		1
30	539 10 57-18	SQUARE KEY - 1/4 X .5		1
31	539 91 91-48	PULLEY		1
32	539 10 17-20	SPACER		1
33	539 10 19-95	KEY		1
34	539 10 18-34	PULLEY, ENGINE		1
35	539 10 65-04	WASHER		1
36	539 99 02-47	WASHER		1
37	539 10 01-41	SCREW		1
38	539 99 76-92	HEX SCREW 5/16 X 1.75		4
39	539 99 01-87	WASHER		8
40	539 99 06-92	WASHER		6
41	539 99 07-61	NUT		6
42	539 97 77-61	SCREW		2
43	539 99 01-55	NUT		1
44	539 99 01-18	WASHER		1
45	539 99 05-98	WASHER		2
46	539 97 69-56	SCREW		4
47	539 10 01-45	RHSNB 3/8C X 2		1
48	539 99 05-46	NUT		2
49	539 97 69-34	SCREW		10
50	539 99 01-84	NUT		6
51	539 99 00-72	SCREW		4
52	539 10 19-72	BLADE ROD		1
53	539 99 05-17	WASHER		2
54	539 97 69-89	SPLIT PIN		1
55	539 10 57-44	DECAL		1
56	539 10 20-31	BLADE ROD 48"		1
539102048	539 10 20-48	BLADE ROD 36"		1
57	539 10 20-47	DECAL		1
58	539 99 10-43	BUSHING		2
59	539 10 34-62	BELT GUIDE		2
539103462	539 10 34-62	BELT GUIDE		1
60	539 10 34-63	BELT GUIDE		1
61	539 99 08-39	NUT		6
62	539 10 11-75	SCREW		6
63	539 10 48-64	WASHER 7/16 FLAT ZD		6

# Drive Wheel & Axle Assembly

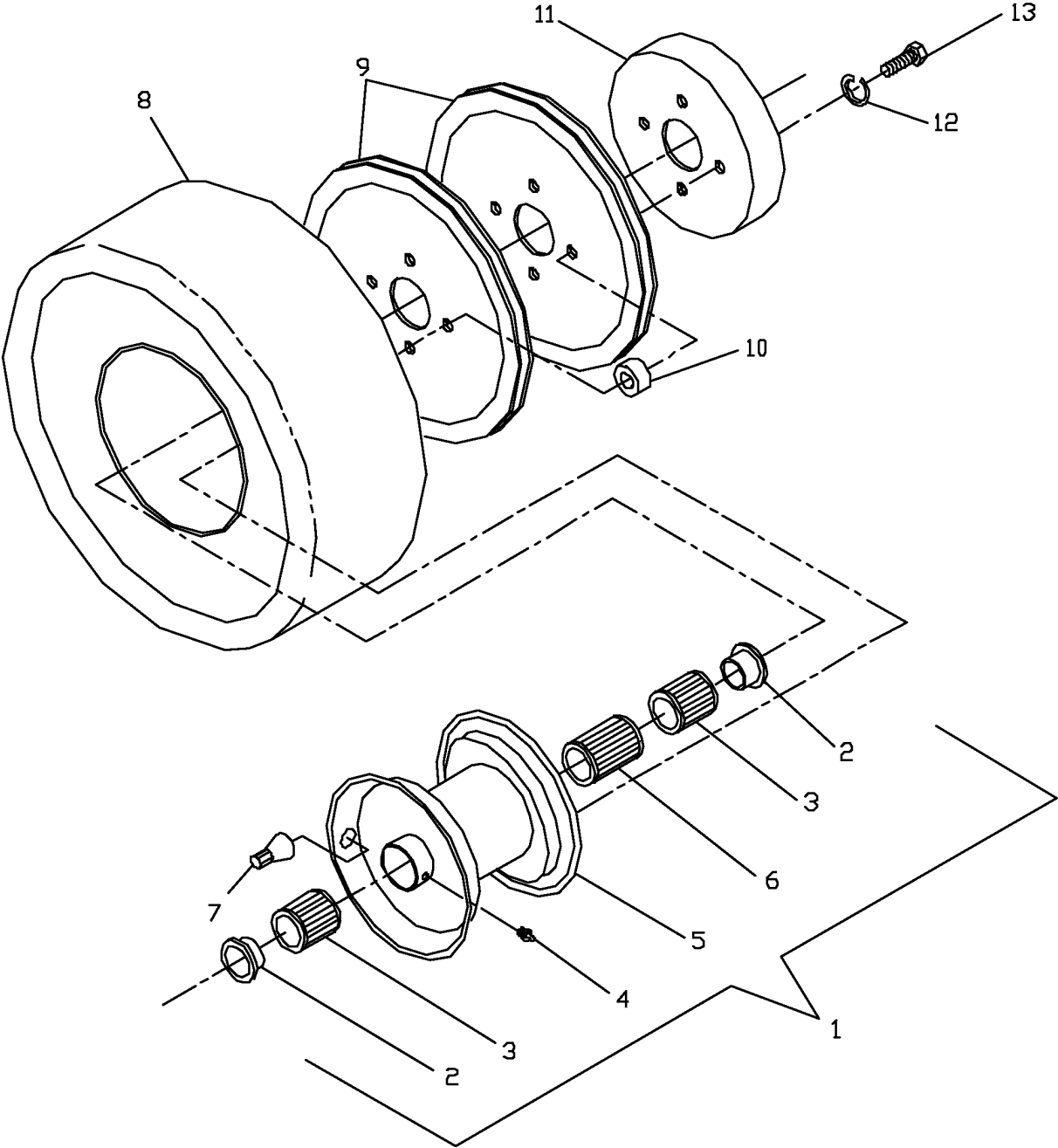


## DRIVE

WG3613E, 968999365, 2006-02

Ref	Part No	Description	Remark	QTY KIT
1	539 91 27-30	E-RING 1"		2
2	539 10 56-30	FUEL TANK		1
3	539 10 61-88	TANK CAP - ANTI		1
4	539 91 22-22	CLAMP		4
5	539 93 29-56	GAS LINE 10"		2
6	539 91 63-25	VALVE		1
7	539 10 25-02	STUD		4
8	539 10 26-50	CONNECTION		1
9	539 10 65-54	DECAL		1
10	539 11 10-57	DECAL		1
539111066	539 11 10-66	DECAL		1
11	539 10 28-45	SPRING		4
12	539 10 21-88	SHOULDER PIVOT TUBE		2
13	539 99 08-70	RING		4
14	539 10 47-57	WHEEL ASM		2
15	539 10 19-92	SPACER		2
16	539 99 06-92	WASHER		12
17	539 97 69-41	SCREW		2
18	539 10 19-77	SPRING		2
19	539 10 19-55	PULLEY		2
20	539 10 02-76	WINGNUT, 5/16C NYLOC		2
21	539 10 00-97	SPACER		2
22	539 10 19-40	SWIVEL		2
23	539 10 19-39	BRAKE ROD		2
24	539 10 19-73	BELT GUIDE		2
25	539 10 20-35	SCRAPER		2
26	539 97 69-88	PIN RETAINING SCREW		4
27	539 99 01-45	BOLT		2
28	539 11 10-54	DECAL		2
29	539 10 19-39	BRAKE ROD		1
30	539 10 19-34	BRAKE ARM, RIGHT		2
31	539 10 19-49	RETAINER RING		2
32	539 97 69-98	NIPPLE		4
33	539 10 20-49	CLEVIS PIN		2
34	539 91 38-47	BOLT RETAINER 3/8		2
35	539 92 19-60	SPACER		2
36	539 10 19-45	BRAKE BAND		2
37	539 91 65-61	MACHINE BUSHING		4
38	539 10 60-32	IDLER ARM - RH		1
539106031	539 10 60-31	IDLER ARM - LH		1
39	539 10 19-69	FENDER		2
40	539 99 05-85	NUT		2
41	539 10 13-50	TAPBOLT, 3/8C X 3		2
42	539 99 07-61	NUT		4
43	539 97 77-61	SCREW		4
44	539 99 01-84	NUT		8
45	539 99 06-13	NUT		2
46	539 99 05-17	WASHER		8
47	539 99 05-46	NUT		12
48	539 10 18-81	DECAL		1
49	539 99 05-63	SCREW		6
50	539 99 01-18	WASHER		2
51	539 99 02-09	SCREW		4
52	539 99 01-87	WASHER		4

# Traction Wheel Assembly

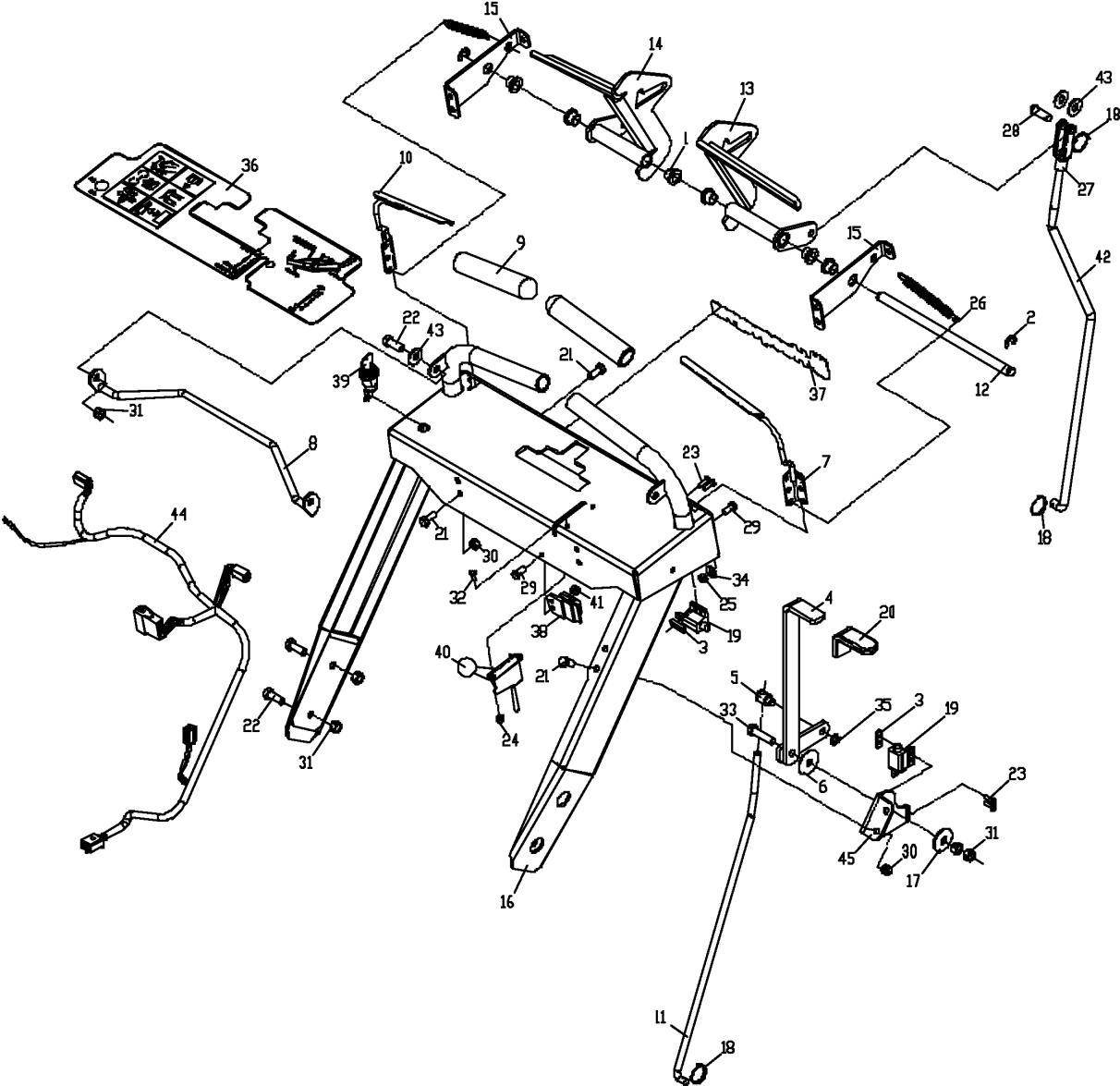


## WHEELS &amp; TIRES

WG3613E, 968999365, 2006-02

Ref	Part No	Description	Remark	QTY KIT
1	539 10 47-58	WHEEL ASM		1
2	539 10 03-95	END CAP		2
3	539 10 21-61	ROLLER BEARING (SHORT)		2
4	539 97 69-98	NIPPLE		1
5	539 10 47-59	RIM		1
6	539 10 03-93	ROLLER BEARING (LONG)		1
7	539 91 22-34	VALVE		1
8	539 92 37-88	TIRE		1
9	539 93 84-73	PULLEY		2
10	539 92 35-15	SPACER		4
11	539 10 19-46	BRAKE DRUM		1
12	539 99 01-18	WASHER		4
13	539 99 01-64	HCS 3/8F X 1 1/2		4

# Upper Handle Assembly



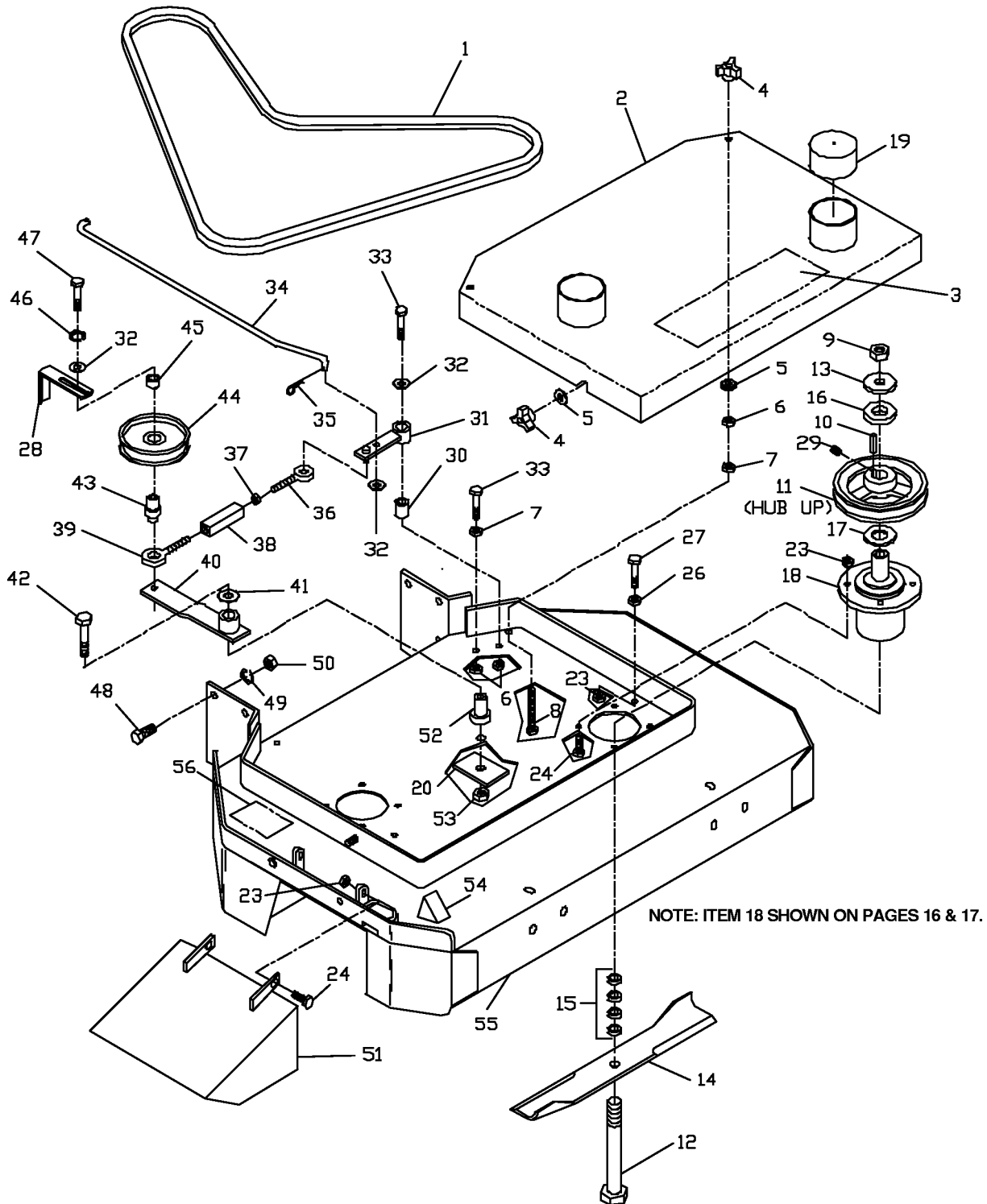


## HANDLE &amp; CONTROLS

WG3613E, 968999365, 2006-02

Ref	Part No	Description	Remark	QTY KIT
1	539 10 00-32	BUSHING		6
2	539 10 19-49	RETAINER RING		2
3	539 10 26-78	PLATE		3
4	539 10 60-86	ENGAGEMENT LEVER		1
5	539 10 29-92	SWIVEL		1
6	539 10 29-98	WASHER		1
7	539 10 58-34	OPER LEVER-LH		1
8	539 10 58-21	NEUTRAL BAIL		1
9	539 10 58-42	GRIP		2
10	539 10 59-52	OPER LEVER - RH		1
11	539 10 60-15	BLADE ENGAGE LINKAGE		1
12	539 10 60-16	CENTER PIVOT SHAFT		1
13	539 10 60-17	DRIVE LEVER - LH		1
14	539 10 60-18	DRIVE LEVER - RH		1
15	539 10 60-25	SUPPORT BRACKET		2
16	539 10 66-01	HANDLE WELDMENT		1
17	539 91 20-63	CONE WASHER		1
18	539 91 64-59	RETAINER		5
19	539 91 90-98	SWITCH		3
20	539 97 65-26	HANDLE		1
21	539 97 69-34	SCREW		8
22	539 99 05-63	SCREW		6
23	539 97 69-52	SCREW		6
24	539 97 69-77	NUT		2
25	539 99 07-61	NUT		2
26	539 97 72-50	SPRING		2
27	539 97 74-65	BRACKET		2
28	539 97 77-03	PIN RETAINING SCREW		2
29	539 99 00-72	SCREW		3
30	539 99 01-84	NUT		8
31	539 99 05-46	NUT		8
32	539 99 04-11	SCREW		2
33	539 99 06-55	SCREW		1
34	539 99 05-98	WASHER		2
35	539 99 08-70	RING		1
36	539 10 60-11	CONSOLE		1
37	539 11 10-46	DECAL		1
38	539 10 17-81	MODULE		1
39	539 91 18-53	KEY SWITCH, COMPLETE		1
40	539 10 27-32	THROTTLE		1
41	539 97 69-78	NUT		1
42	539 10 60-62	DRIVE LINK		2
43	539 99 05-17	WASHER		6
44	539 10 60-71	UPPER HARNESS		1
45	539 10 60-89	BLADE ENGAGEMENT BRACKET		1
46	539 97 68-56	TIE WRAP		2

# 36" Deck Assembly



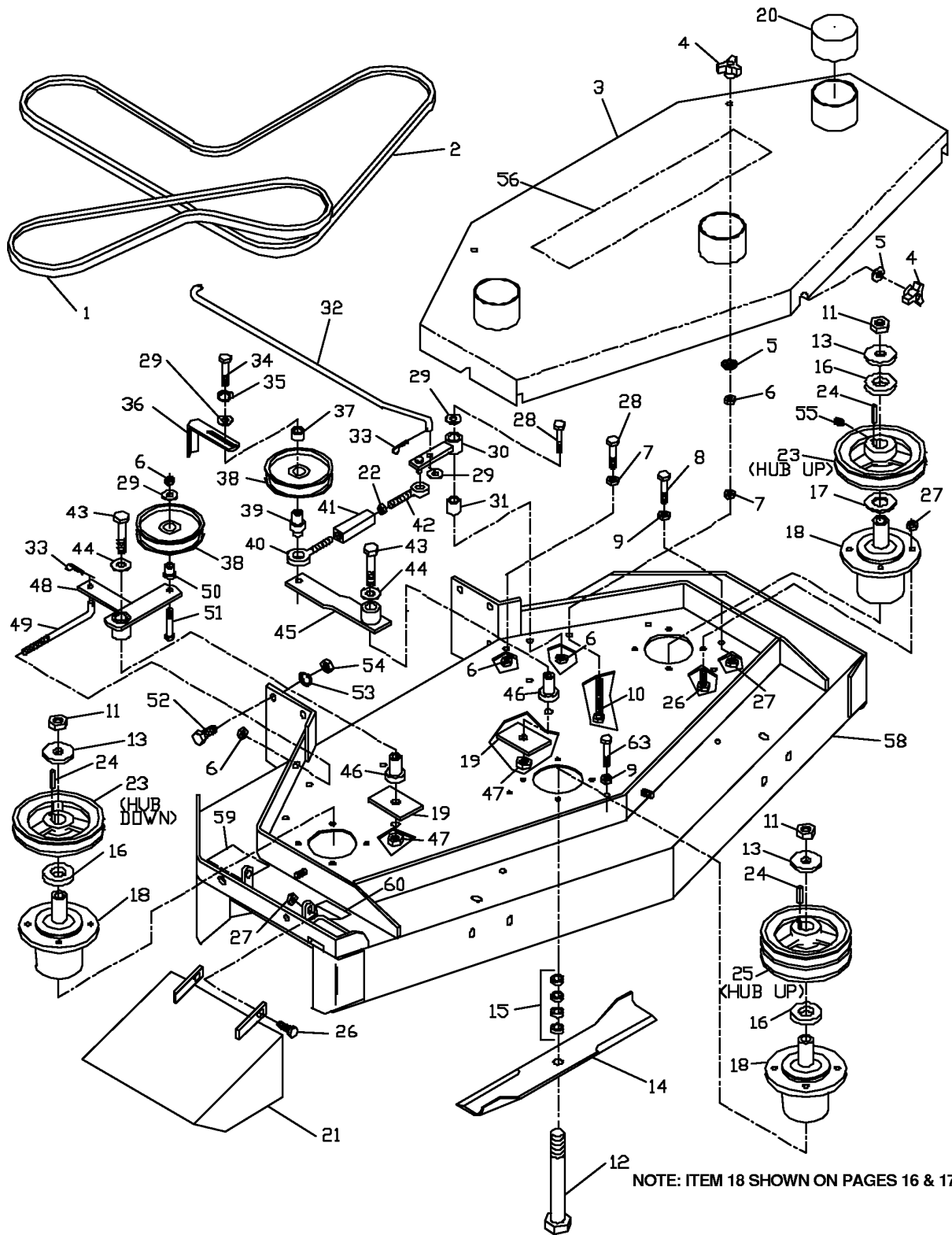
NOTE: ITEM 18 SHOWN ON PAGES 16 & 17.

## 42INCH CUTTING DECK

WG3613E, 968999365, 2006-02

Ref	Part No	Description	Remark	QTY KIT
1	539 10 19-59	BELT		1
2	539 10 45-61	36" BELT SHIELD		1
3	539 11 10-47	DECAL		1
4	539 10 20-70	KNOB, THREE PRONG		4
5	539 10 20-56	WASHER		4
6	539 99 05-46	NUT		4
7	539 99 06-13	NUT		3
8	539 10 23-34	TAPBOLT 3/8C X 4 1/2		2
9	539 97 69-80	NUT 5/8F HEX		2
10	539 10 19-95	KEY		2
11	539 97 63-98	PULLEY W/SETSCREWS		2
12	539 10 23-32	HCS 5/8F X 8 1/2		2
13	539 10 65-04	WASHER		2
14	539 10 03-41	BLADE		2
15	539 97 64-36	SPACER		8
16	539 10 22-45	SPACER		2
17	539 10 26-75	BUSHING		2
18	539 10 24-40	SERVICE KIT		2
19	539 10 23-20	TUBE CAP		2
20	539 10 22-36	PLATE		1
23	539 99 01-84	NUT		16
24	539 99 02-09	SCREW		10
26	539 99 05-85	NUT		6
27	539 99 05-53	HCS 5/16 X 3		6
28	539 10 00-75	SNUBBER		1
29	539 97 69-56	SCREW		4
30	539 10 18-36	BUSHING, SLEEVE		1
31	539 10 19-79	ENGAGEMENT ARM		1
32	539 99 05-17	WASHER		3
33	539 99 06-29	SCREW		2
34	539 10 20-48	BLADE ROD 36"		1
35	539 97 69-88	PIN RETAINING SCREW		1
36	539 10 19-82	BOLT		1
37	539 99 01-96	NUT		1
38	539 10 19-83	TURNBUCKLE		1
39	539 10 19-81	EYEBOLT, LH		1
40	539 10 19-78	ARM WELDMENT		1
41	539 99 05-50	WASHER		1
42	539 10 13-32	SCREW		1
43	539 10 19-80	EYEBOLT PIVOT		1
44	539 97 66-88	PULLEY		1
45	539 10 26-56	SPACER		1
46	539 99 01-18	WASHER		1
47	539 99 06-37	SCREW		1
48	539 10 11-75	SCREW		6
49	539 99 02-47	WASHER		6
50	539 99 04-49	NUT 7/16C HEX		6
51	539 10 45-46	DEFLECTOR CHUTE		1
52	539 10 12-31	SPINDLE		1
53	539 10 13-31	NUT		1
54	539 91 30-10	DECAL		1
55	539 10 45-63	DECAL		1
56	539 10 57-46	DECAL		1
57	539 10 50-71	DECAL		1

# 48" Deck Assembly

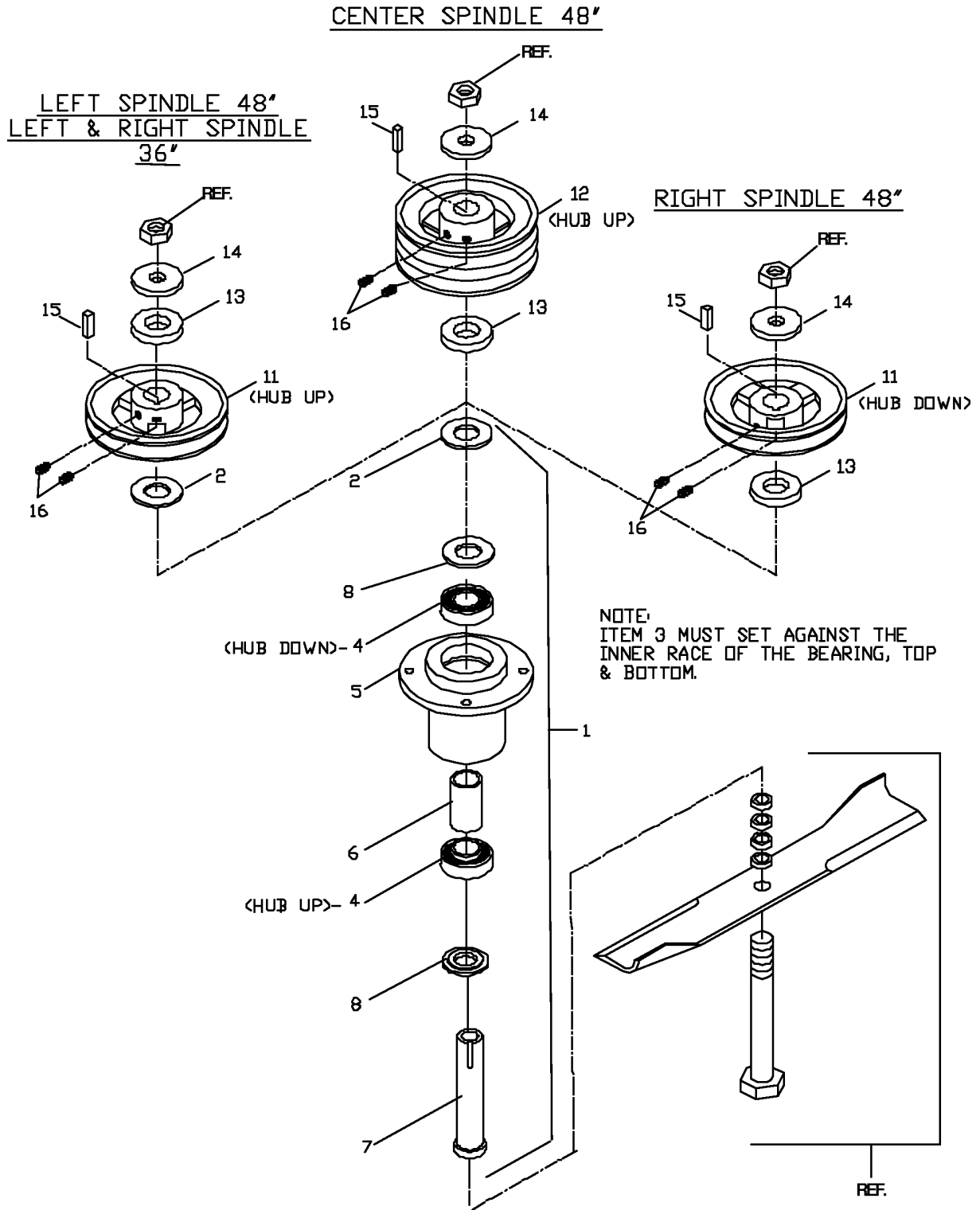


## 48"/122CM CUTTING DECK

WG3613E, 968999365, 2006-02

Ref	Part No	Description	Remark	QTY KIT
1	539 10 00-24	BELT		1
2	539 10 19-58	BELT		1
3	539 10 45-62	BELT SHIELD 48"		1
4	539 10 20-70	KNOB, THREE PRONG		5
5	539 10 20-56	WASHER		5
6	539 99 05-46	NUT		6
7	539 99 06-13	NUT		6
8	539 99 05-53	HCS 5/16 X 3		4
9	539 99 05-85	NUT		7
10	539 10 23-34	TAPBOLT 3/8C X 4 1/2		2
11	539 97 69-80	NUT 5/8F HEX		3
12	539 10 23-32	HCS 5/8F X 8 1/2		2
539101100	539 10 11-00	HCS 5/8F X 9		1
13	539 10 65-04	WASHER		3
14	539 10 03-40	BLADE		3
15	539 97 64-36	SPACER		12
16	539 10 22-45	SPACER		3
17	539 10 26-75	BUSHING		1
18	539 10 24-40	SERVICE KIT		3
19	539 10 22-36	PLATE		2
20	539 10 23-20	TUBE CAP		3
21	539 10 45-46	DEFLECTOR CHUTE		1
22	539 99 01-96	NUT		1
23	539 97 63-98	PULLEY W/SETSCREWS		2
24	539 10 19-95	KEY		3
25	539 10 18-19	PULLEY, DOUBLE W/SETS		1
26	539 99 02-09	SCREW		14
27	539 99 01-84	NUT		21
28	539 99 06-29	SCREW		2
29	539 99 05-17	WASHER		4
30	539 10 19-79	ENGAGEMENT ARM		1
31	539 10 18-36	BUSHING, SLEEVE		1
32	539 10 20-31	BLADE ROD 48"		1
33	539 97 69-88	PIN RETAINING SCREW		2
34	539 99 06-37	SCREW		1
35	539 99 01-18	WASHER		1
36	539 10 00-75	SNUBBER		1
37	539 10 26-56	SPACER		1
38	539 97 66-88	PULLEY		2
39	539 10 19-80	EYEBOLT PIVOT		1
40	539 10 19-81	EYEBOLT, LH		1
41	539 10 19-83	TURNBUCKLE		1
42	539 10 19-82	BOLT		1
43	539 10 13-32	SCREW		2
44	539 99 05-50	WASHER		3
45	539 10 19-78	ARM WELDMENT		1
46	539 10 12-31	SPINDLE		2
47	539 10 13-31	NUT		2
48	539 10 22-37	IDLER ARM, AUX.		1
49	539 10 23-37	TENSION ROD		1
50	539 97 66-95	BUSHING		1
51	539 99 07-30	SCREW		1
52	539 10 11-75	SCREW		6
53	539 99 02-47	WASHER		6
54	539 99 04-49	NUT 7/16C HEX		6
55	539 97 69-56	SCREW		6
56	539 10 47-90	DECAL		1
57	539 10 50-71	DECAL		1
58	539 10 45-64	DECAL		1
59	539 10 57-46	DECAL		1
60	539 91 30-10	DECAL		1
63	539 10 23-35	BOLT		3
64	539 10 65-99	DECAL		1

# Cutter Housing Assembly

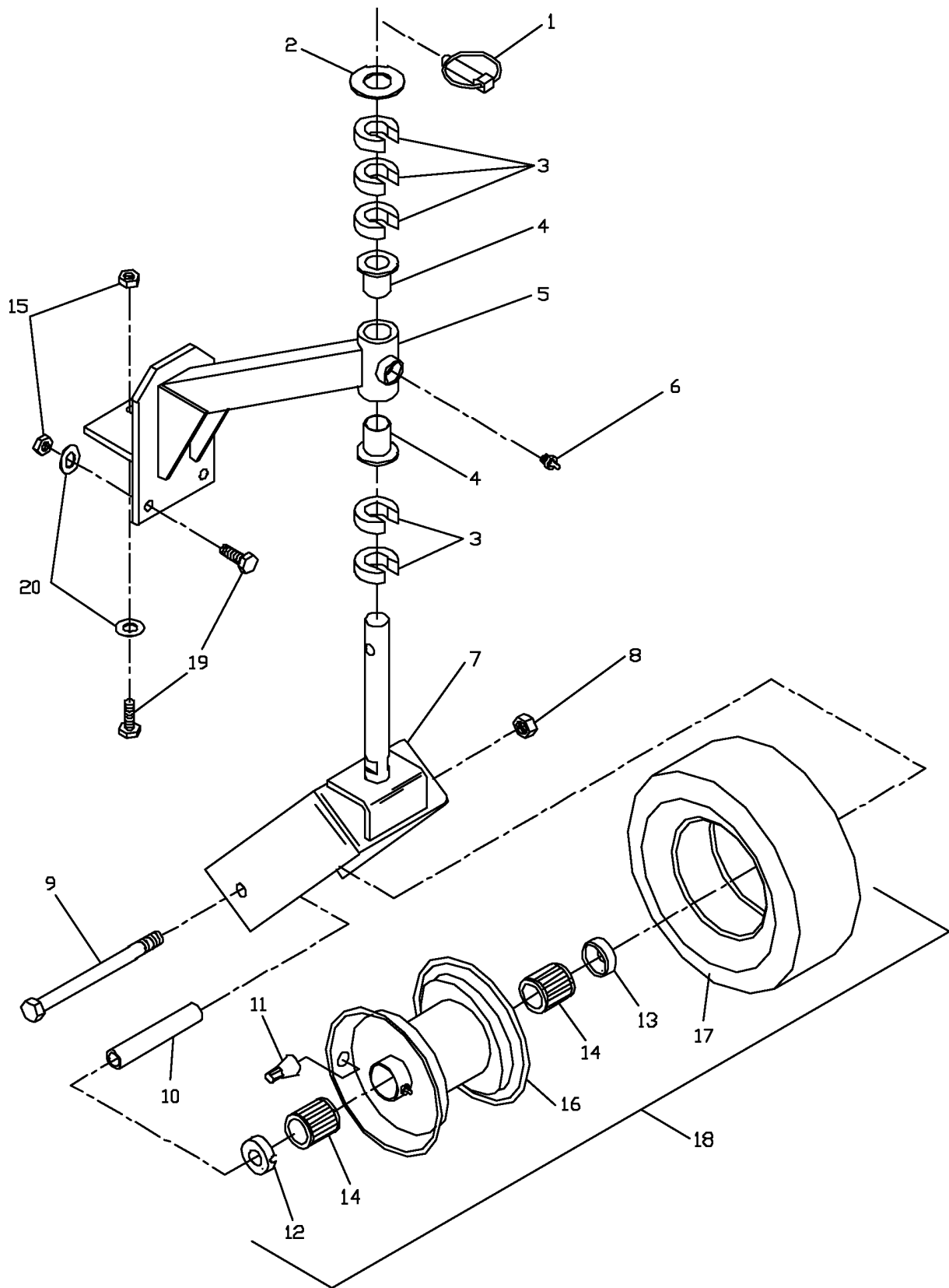


## HOUSING

WG3613E, 968999365, 2006-02

Ref	Part No	Description	Remark	QTY KIT
1	539 10 24-40	SERVICE KIT		1
2	539 10 26-75	BUSHING		1
4	539 10 26-77	BEARING		2
5	539 10 26-73	HOUSING		1
6	539 10 26-76	SPACER		1
7	539 10 26-74	SPINDLE		1
8	539 10 72-72	SPACER		2
11	539 97 63-98	PULLEY W/SETSCREWS		1
12	539 10 18-19	PULLEY, DOUBLE W/SETS		1
13	539 10 22-45	SPACER		1
14	539 10 22-43	WASHER		1
15	539 10 19-95	KEY		1
16	539 97 69-56	SCREW		2

# Front Caster Assembly



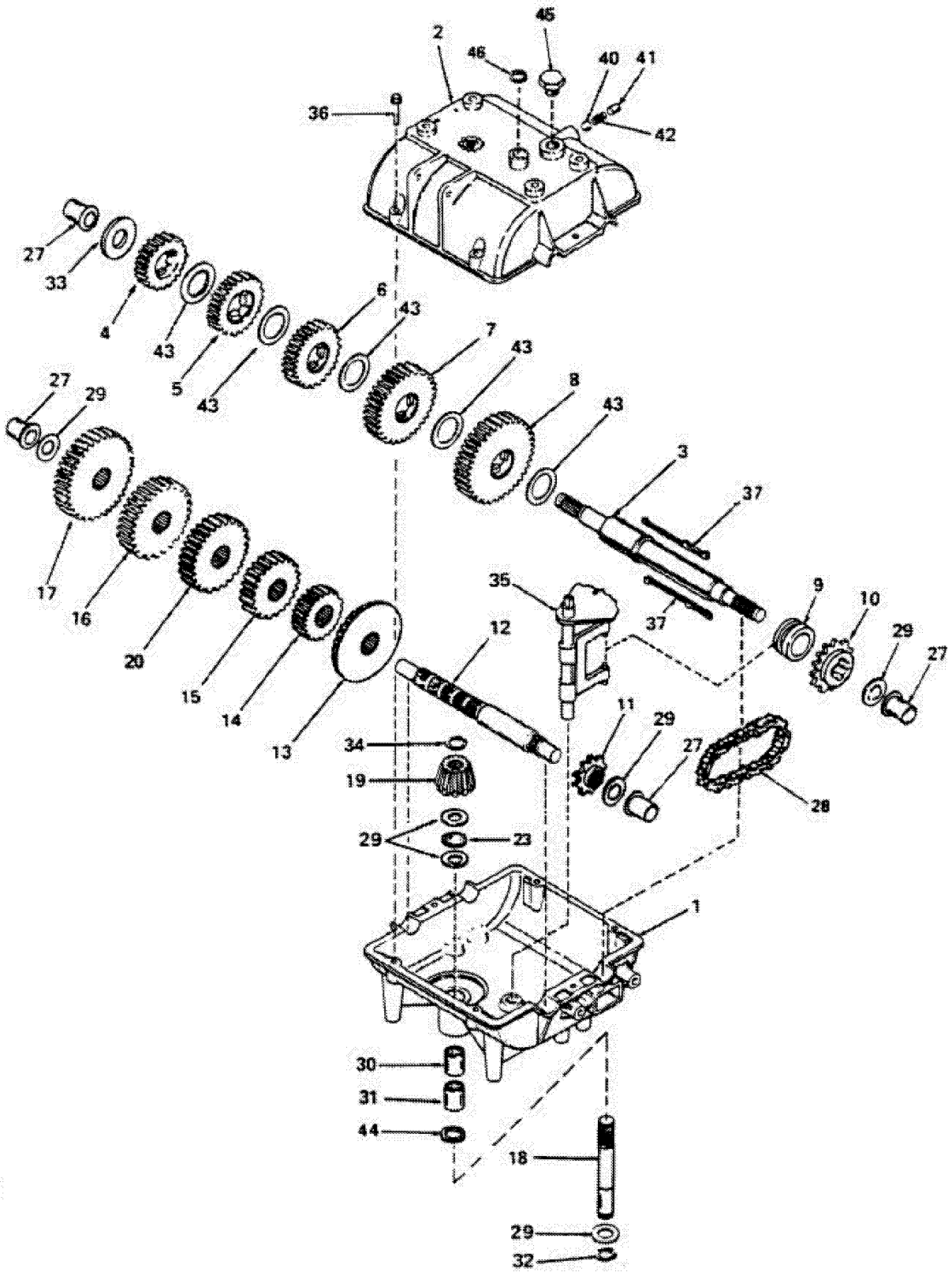


## CASTERS

WG3613E, 968999365, 2006-02

Ref	Part No	Description	Remark	QTY KIT
1	539 10 18-74	LYNCH PIN 7/16		1
2	539 91 65-61	MACHINE BUSHING		1
3	539 10 18-73	C-SPACER		5
4	539 10 12-32	BUSHING		2
5	539 10 45-55	CASTER ARM W/BUSHING		1
6	539 97 69-97	NIPPLE		1
7	539 10 45-54	CASTER YOKE		1
8	539 10 13-31	NUT		1
9	539 10 19-07	SCREW		1
10	539 10 18-72	SPACER		1
11	539 91 22-34	VALVE		1
12	539 97 73-56	ENDCAP, NOTCHED		1
13	539 92 35-57	ENDCAP		1
14	539 97 73-53	ROLLER BEARING		2
15	539 99 05-46	NUT		3
16	539 10 46-18	RIM		1
17	539 10 19-05	TIRE, 9"		1
18	539 10 45-56	TIRE		1
19	539 99 05-63	SCREW		3
20	539 99 05-17	WASHER		3
21	539 10 45-59	WHEEL CASTER ASM KIT, FRONT		1

# Transmission Assembly

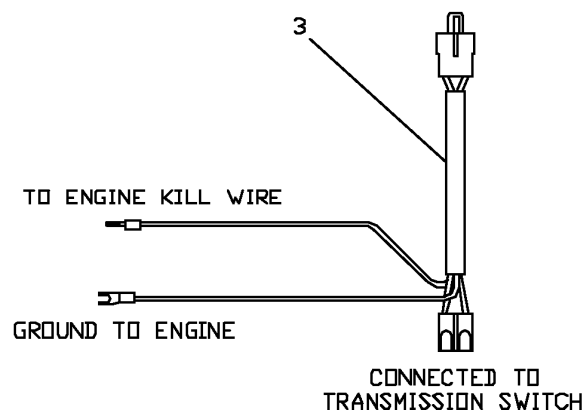
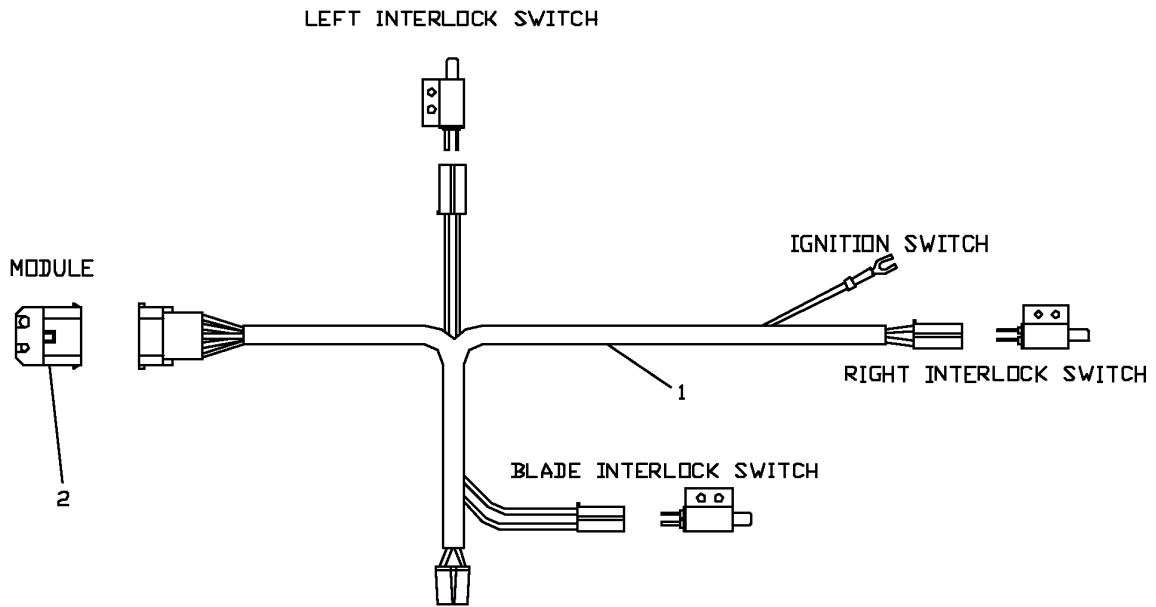


## TRANSMISSION

WG3613E, 968999365, 2006-02

Ref	Part No	Description	Remark	QTY KIT
1	539 10 20-75	TRANSMISSION CASE		1
2	539 10 03-71	TRANSMISSION COVER		1
3	539 10 21-79	OUTPUT & BRAKE SHAFT		1
4	539 10 20-77	SPUR GEAR (27 TEETH)		1
5	539 10 03-77	SPUR GEAR (30 TEETH)		1
6	539 10 20-78	SPUR GEAR (32 TEETH)		1
7	539 10 03-76	SPUR GEAR (35 TEETH)		1
8	539 10 20-79	SPUR GEAR (37 TEETH)		1
9	539 97 75-61	SHIFT COLLAR		1
10	539 97 75-62	SPROCKET (18 TEECH)		1
11	539 97 75-63	SPROCKET (9 TEECH)		1
12	539 97 75-64	COUNTERSHAFT		1
13	539 97 75-65	GEAR, BEVEL (42 TEETH)		1
14	539 10 20-80	SPUR GEAR (12 TEETH)		1
15	539 10 20-81	SPUR GEAR (15 TEETH)		1
16	539 10 03-82	SPUR GEAR (20 TEETH)		1
17	539 10 20-82	SPUR GEAR (23 TEETH)		1
18	539 97 75-71	INPUT SHAFT		1
19	539 10 03-72	INPUT BEVEL PINION		1
20	539 10 20-83	SPUR GEAR (18 TEETH)		1
23	539 10 03-74	THRUST BEARING		1
27	539 97 75-73	BUSHING		4
28	539 97 75-74	CHAIN, ROLLER #41 24 LINK		1
29	539 97 75-75	THRUST WASHER		6
30	539 97 75-92	NEEDLE BEARING		1
31	539 97 75-76	NEEDLE BEARING		1
32	539 97 75-77	RETAINER RING		1
33	539 10 20-84	WASHER, THRUST		1
34	539 97 75-79	RETAINING RING		1
35	539 10 21-80	SHIFT ROD & FORK		1
36	539 97 75-81	W FLANGED HEX HD THREADFOR		6
37	539 97 75-82	KEY		4
40	539 97 75-83	STEEL BALL 5/16"		1
41	539 97 75-84	SET SCREW 3/8-16 X 3/8"		1
42	539 97 75-85	SPRING		1
43	539 97 75-86	WASHER THRUST		5
44	539 97 75-87	O-RING		1
45	539 10 01-48	SWITCH, TRANS		1
46	539 10 03-88	SEAL, SQUARE CUT		1
47	539 10 21-62	TRANSMISSION		1

# Wiring Assembly



WIRING HARNESS

WG3613E, 968999365, 2006-02

Ref	Part No	Description	Remark	QTY KIT
1	539 10 60-71	UPPER HARNESS		1
2	539 10 17-81	MODULE		1
3	539 10 60-85	LOWER HARNESS		1