

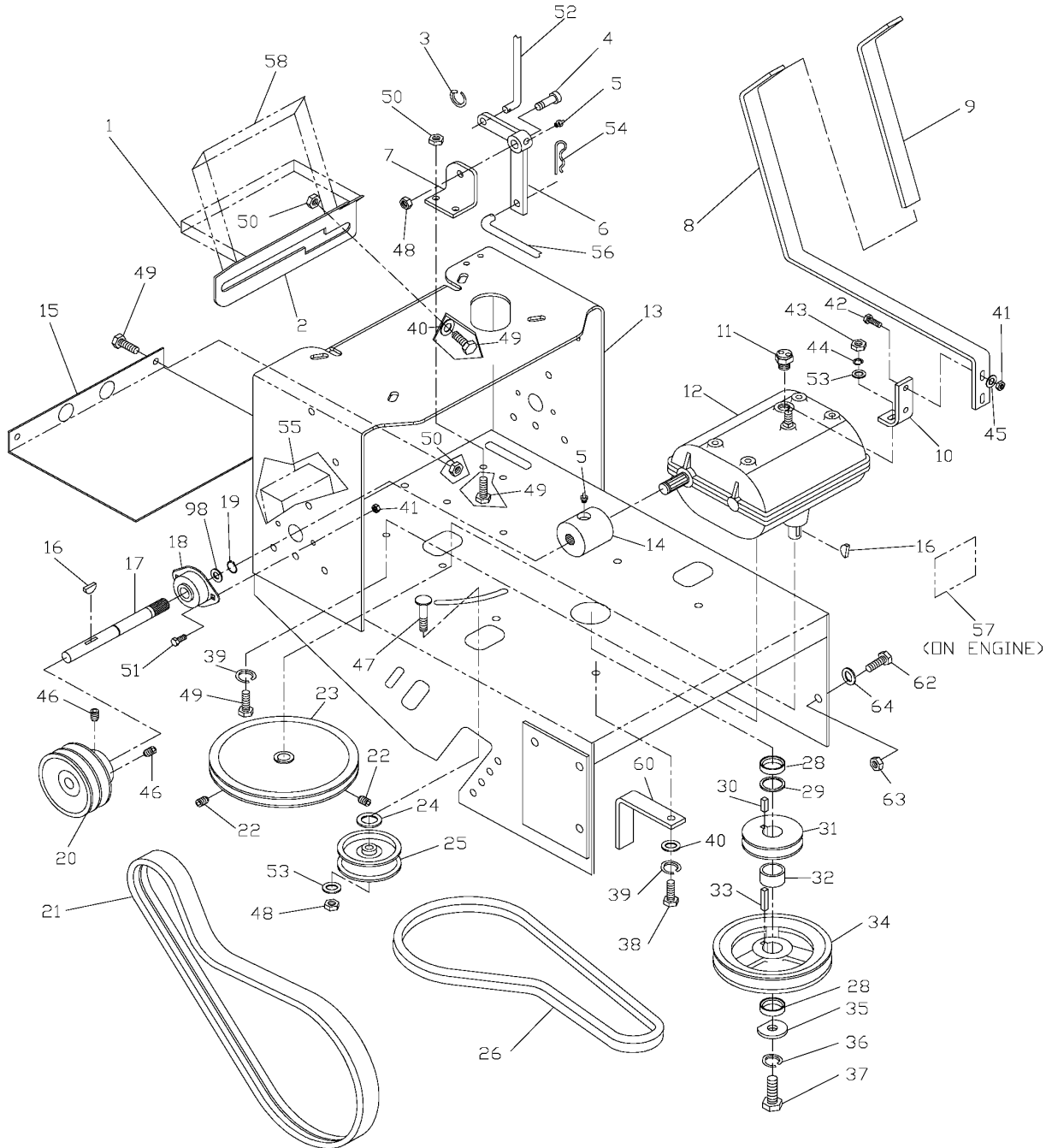


SPARE PARTS LIST

LAWN MOWERS: COMMERCIAL
WALK-BEHINDS

WG3613P, 968999116, 2005-11

Transmission & Shifter Assembly

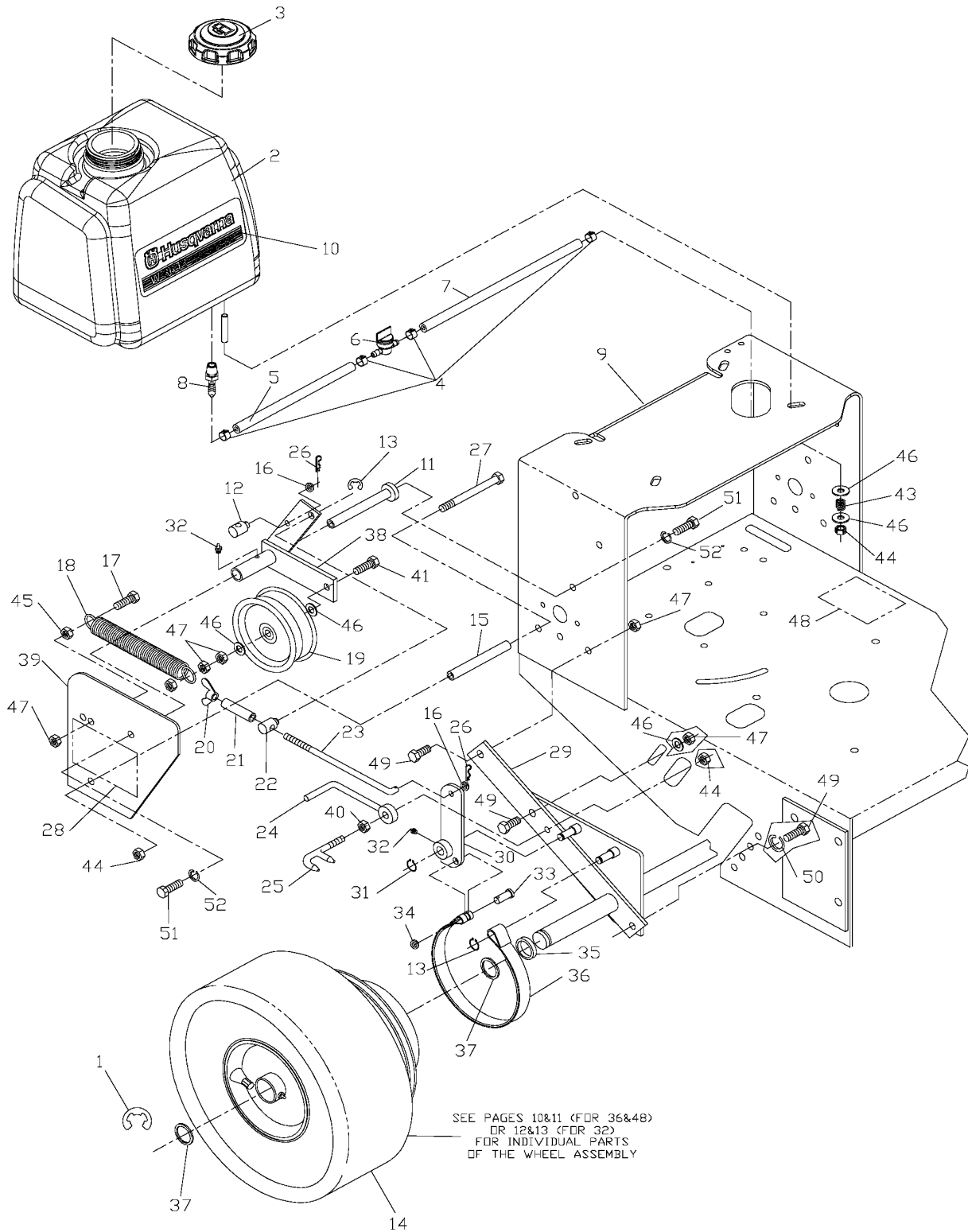


TRANSMISSION

WG3613P, 968999116, 2005-11

| Ref | Part No | Description | Remark | QTY KIT |
|-----------|--------------|---------------------------|--------|---------|
| 1 | 539 10 02-77 | DECAL | | 1 |
| 2 | 539 10 19-60 | SHIFTER PLATE | | 1 |
| 3 | 539 91 64-59 | RETAINER | | 1 |
| 4 | 539 10 01-50 | SB 12C X 34 | | 1 |
| 5 | 539 97 69-98 | NIPPLE | | 3 |
| 6 | 539 10 00-66 | BELLCRANK | | 1 |
| 7 | 539 10 46-48 | BRACKET | | 1 |
| 8 | 539 10 19-61 | SHIFTER ARM | | 1 |
| 9 | 539 10 19-65 | SHIFTER GRIP | | 1 |
| 10 | 539 10 21-65 | SHIFTER BRACKET | | 1 |
| 11 | 539 10 01-48 | SWITCH, TRANS | | 1 |
| 12 | 539 10 21-62 | TRANSMISSION | | 1 |
| 13 | 539 10 64-98 | DECAL | | 1 |
| 14 | 539 10 21-64 | COUPLING | | 2 |
| 15 | 539 10 45-47 | BRACKET | | 1 |
| 16 | 539 91 02-11 | KEY, #9 WOODRUFF | | 3 |
| 17 | 539 10 21-63 | DRIVE SHAFT | | 2 |
| 18 | 539 10 19-67 | BEARING | | 2 |
| 19 | 539 10 19-71 | RETAINER RING | | 2 |
| 20 | 539 10 19-54 | PULLEY | | 2 |
| 539102154 | 539 10 21-54 | DRIVE PULLEY (32) | | 2 |
| 21 | 539 11 08-59 | BELT | | 2 |
| 539102149 | 539 10 21-49 | BELT | | 2 |
| 22 | 539 10 19-88 | SETSCREW, 1/4-20 NYLOC | | 2 |
| 23 | 539 10 19-64 | PULLEY, INPUT | | 1 |
| 24 | 539 99 05-50 | WASHER | | 1 |
| 25 | 539 91 90-78 | PULLEY | | 1 |
| 26 | 539 10 19-57 | BELT | | 1 |
| 27 | 539 10 20-36 | BELT GUIDE | | 1 |
| 28 | 539 92 19-60 | SPACER | | 2 |
| 29 | 539 10 20-50 | BUSHING | | 1 |
| 30 | 539 10 57-18 | SQUARE KEY - 1/4 X .5 | | 1 |
| 31 | 539 91 91-48 | PULLEY | | 1 |
| 32 | 539 10 17-20 | SPACER | | 1 |
| 33 | 539 10 19-95 | KEY | | 1 |
| 34 | 539 10 18-34 | PULLEY, ENGINE | | 1 |
| 35 | 539 10 65-04 | WASHER | | 1 |
| 36 | 539 99 02-47 | WASHER | | 1 |
| 37 | 539 10 01-41 | SCREW | | 1 |
| 38 | 539 10 05-67 | HCS M8-1.25X30MM GD8.8 ZD | | 4 |
| 39 | 539 99 01-87 | WASHER | | 8 |
| 40 | 539 99 06-92 | WASHER | | 6 |
| 41 | 539 99 07-61 | NUT | | 6 |
| 42 | 539 97 77-61 | SCREW | | 2 |
| 43 | 539 99 01-55 | NUT | | 1 |
| 44 | 539 99 01-18 | WASHER | | 1 |
| 45 | 539 99 05-98 | WASHER | | 2 |
| 46 | 539 97 69-56 | SCREW | | 4 |
| 47 | 539 10 01-45 | RHSNB 3/8C X 2 | | 1 |
| 48 | 539 99 05-46 | NUT | | 2 |
| 49 | 539 97 69-34 | SCREW | | 10 |
| 50 | 539 99 01-84 | NUT | | 6 |
| 51 | 539 99 00-72 | SCREW | | 4 |
| 52 | 539 10 19-72 | BLADE ROD | | 1 |
| 53 | 539 99 05-17 | WASHER | | 2 |
| 54 | 539 97 69-89 | SPLIT PIN | | 1 |
| 55 | 539 10 57-44 | DECAL | | 1 |
| 56 | 539 10 20-48 | BLADE ROD 36" | | 1 |
| 57 | 539 10 01-28 | DECAL | | 1 |
| 58 | 539 10 20-47 | DECAL | | 1 |
| 59 | 539 99 10-43 | BUSHING | | 2 |
| 60 | 539 10 34-62 | BELT GUIDE | | 1 |
| 61 | 539 10 34-63 | BELT GUIDE | | 1 |
| 62 | 539 10 11-75 | SCREW | | 6 |
| 63 | 539 99 08-39 | NUT | | 6 |
| 64 | 539 10 48-64 | WASHER 7/16 FLAT ZD | | 6 |

Wheel Drive & Axle Assembly 32", 36" & 48" Models

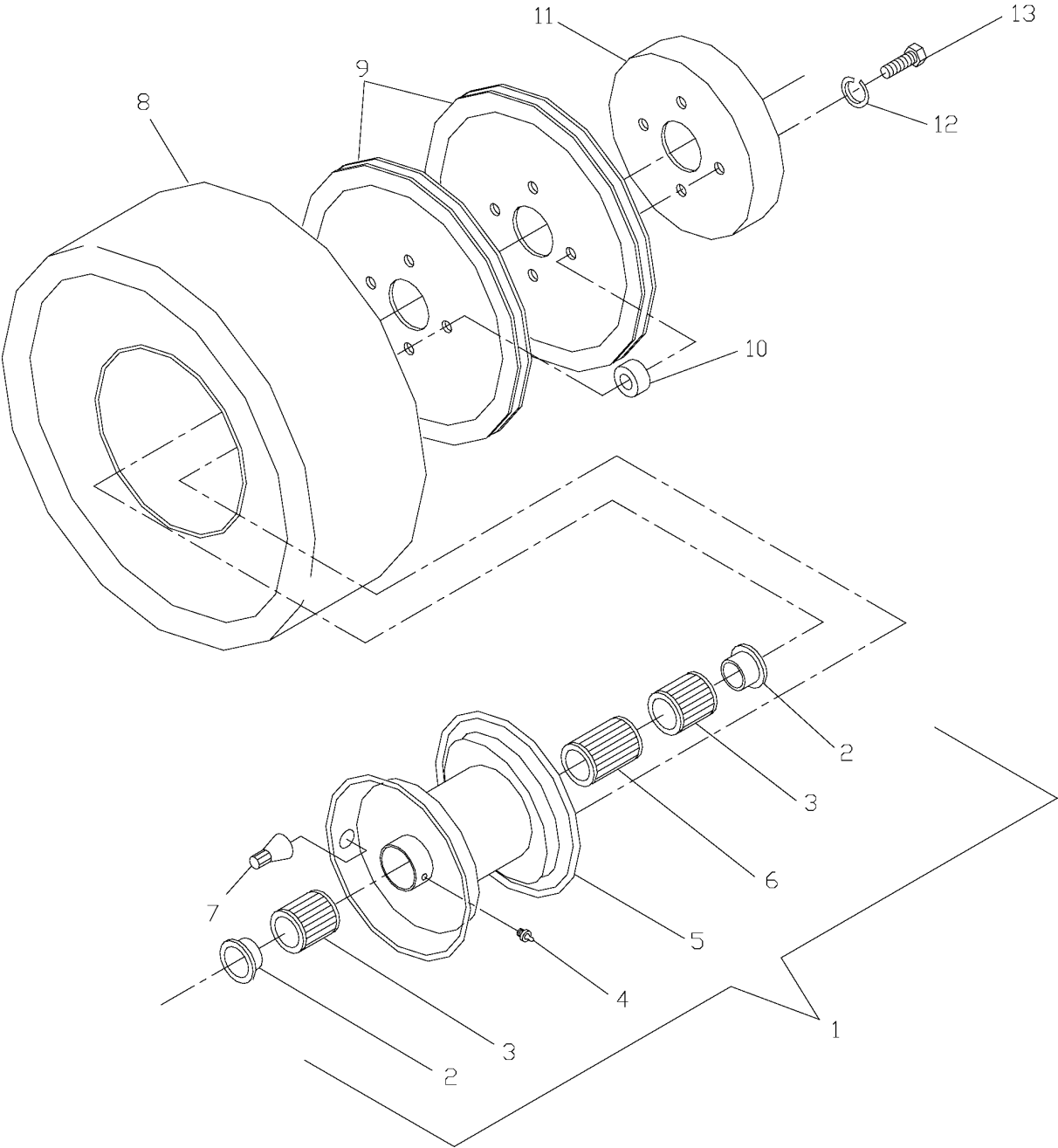


DRIVE

WG3613P, 968999116, 2005-11

| Ref | Part No | Description | Remark | QTY KIT |
|-----------|--------------|-------------------------|--------|---------|
| 1 | 539 91 27-30 | E-RING 1" | | 2 |
| 2 | 539 10 56-30 | FUEL TANK | | 1 |
| 3 | 539 10 61-88 | TANK CAP - ANTI | | 1 |
| 4 | 539 91 22-22 | CLAMP | | 4 |
| 5 | 539 93 29-56 | GAS LINE 10" | | 1 |
| 6 | 539 91 63-25 | VALVE | | 1 |
| 7 | 539 10 49-93 | GAS LINE - 14" | | 1 |
| 8 | 539 10 26-50 | CONNECTION | | 1 |
| 9 | 539 10 64-98 | DECAL | | 1 |
| 10 | 539 11 10-56 | DECAL | | 1 |
| 539104829 | 539 10 48-29 | DECAL | | 1 |
| 539104831 | 539 10 48-31 | DECAL | | 1 |
| 11 | 539 10 21-88 | SHOULDER PIVOT TUBE | | 2 |
| 12 | 539 97 64-34 | SWIVEL (SHORT) | | 2 |
| 13 | 539 99 08-70 | RING | | 4 |
| 14 | 539 10 47-57 | WHEEL ASM | | 2 |
| 539104715 | 539 10 47-15 | WHEEL ASM | | 2 |
| 15 | 539 10 19-92 | SPACER | | 2 |
| 16 | 539 99 06-92 | WASHER | | 12 |
| 17 | 539 97 69-41 | SCREW | | 2 |
| 18 | 539 10 19-77 | SPRING | | 2 |
| 19 | 539 10 19-55 | PULLEY | | 2 |
| 20 | 539 10 02-76 | WINGNUT, 5/16C NYLOC | | 2 |
| 21 | 539 10 00-97 | SPACER | | 2 |
| 22 | 539 10 19-40 | SWIVEL | | 2 |
| 23 | 539 10 19-39 | BRAKE ROD | | 2 |
| 24 | 539 10 19-73 | BELT GUIDE | | 2 |
| 25 | 539 10 20-35 | SCRAPER | | 2 |
| 539102155 | 539 10 21-55 | SCRAPER | | 2 |
| 26 | 539 97 69-88 | PIN RETAINING SCREW | | 4 |
| 27 | 539 99 01-45 | BOLT | | 2 |
| 28 | 539 11 10-54 | DECAL | | 2 |
| 29 | 539 10 19-31 | AXLE WELDMENT (36 & 48) | | 1 |
| 539102152 | 539 10 21-52 | AXLE WELDMENT (32) | | 1 |
| 30 | 539 10 19-34 | BRAKE ARM, RIGHT | | 1 |
| 539102135 | 539 10 21-35 | ARM | | 1 |
| 31 | 539 10 19-49 | RETAINER RING | | 2 |
| 32 | 539 97 69-98 | NIPPLE | | 4 |
| 33 | 539 10 20-49 | CLEVIS PIN | | 2 |
| 34 | 539 91 38-47 | BOLT RETAINER 3/8 | | 2 |
| 35 | 539 92 19-60 | SPACER | | 2 |
| 36 | 539 10 19-45 | BRAKE BAND | | 2 |
| 37 | 539 91 65-61 | MACHINE BUSHING | | 4 |
| 38 | 539 10 21-68 | IDLER PLATE, RIGHT | | 1 |
| 539102169 | 539 10 21-69 | IDLER PLATE, LEFT | | 1 |
| 39 | 539 10 19-69 | FENDER | | 2 |
| 40 | 539 99 05-85 | NUT | | 2 |
| 41 | 539 10 13-50 | TAPBOLT, 3/8C X 3 | | 2 |
| 42 | 539 10 25-02 | STUD | | 4 |
| 43 | 539 10 28-45 | SPRING | | 4 |
| 44 | 539 99 01-84 | NUT | | 4 |
| 45 | 539 99 06-13 | NUT | | 2 |
| 46 | 539 99 05-17 | WASHER | | 8 |
| 47 | 539 99 05-46 | NUT | | 12 |
| 48 | 539 10 18-81 | DECAL | | 1 |
| 49 | 539 99 05-63 | SCREW | | 6 |
| 50 | 539 99 01-18 | WASHER | | 2 |
| 51 | 539 99 02-09 | SCREW | | 4 |
| 52 | 539 99 01-87 | WASHER | | 4 |

Traction Wheel Assembly 36" & 48" Models

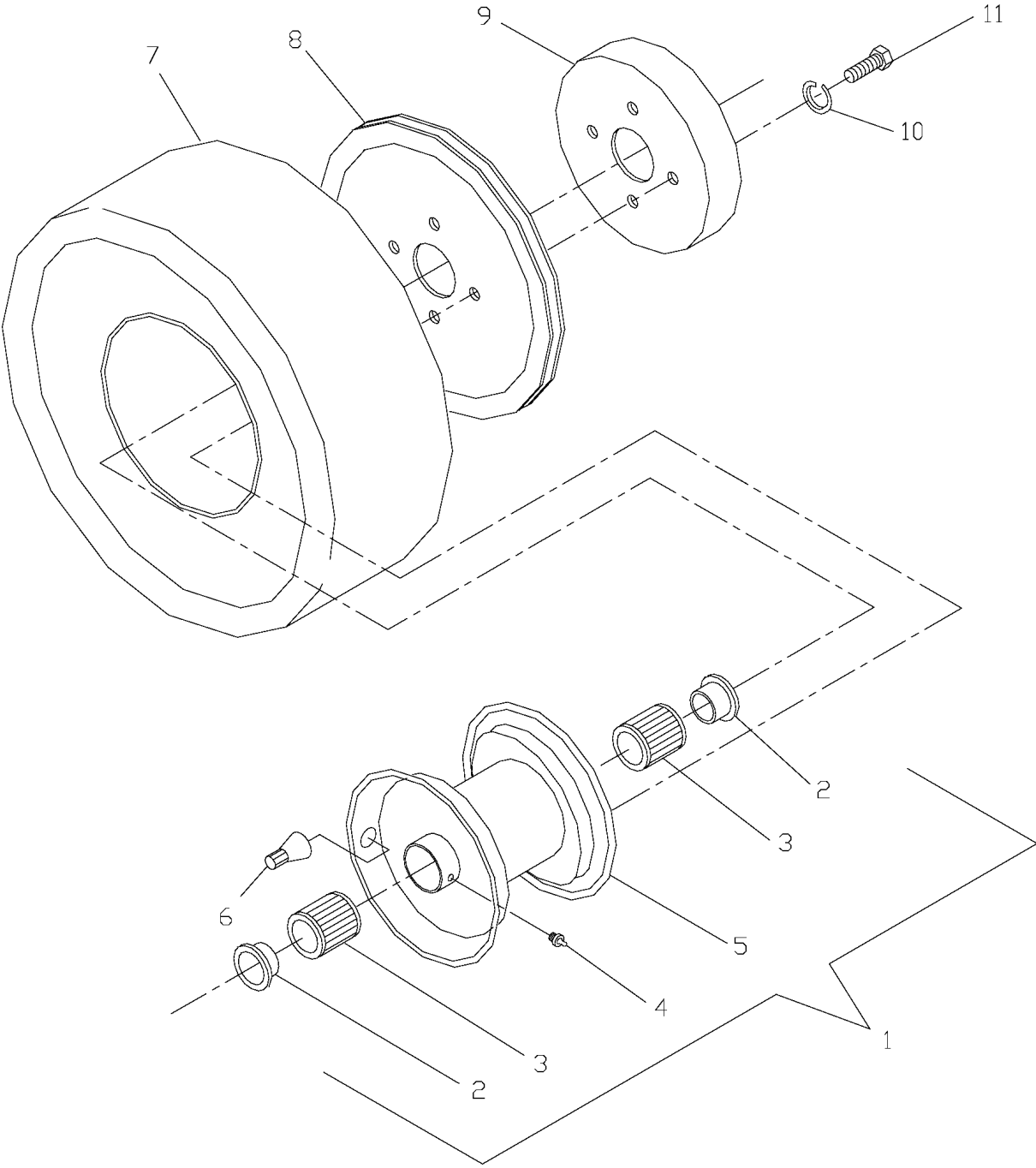


WHEELS & TIRES

WG3613P, 968999116, 2005-11

| Ref | Part No | Description | Remark | QTY KIT |
|-----|--------------|------------------------|--------|---------|
| 1 | 539 10 47-58 | WHEEL ASM | | 1 |
| 2 | 539 10 03-95 | END CAP | | 2 |
| 3 | 539 10 21-61 | ROLLER BEARING (SHORT) | | 2 |
| 4 | 539 97 69-98 | NIPPLE | | 1 |
| 5 | 539 10 47-59 | RIM | | 1 |
| 6 | 539 10 03-93 | ROLLER BEARING (LONG) | | 1 |
| 7 | 539 91 22-34 | VALVE | | 1 |
| 8 | 539 92 37-88 | TIRE | | 1 |
| 9 | 539 93 84-73 | PULLEY | | 2 |
| 10 | 539 92 35-15 | SPACER | | 4 |
| 11 | 539 10 19-46 | BRAKE DRUM | | 1 |
| 12 | 539 99 01-18 | WASHER | | 4 |
| 13 | 539 99 01-64 | HCS 3/8F X 1 1/2 | | 4 |

Traction Wheel Assembly 32" Model

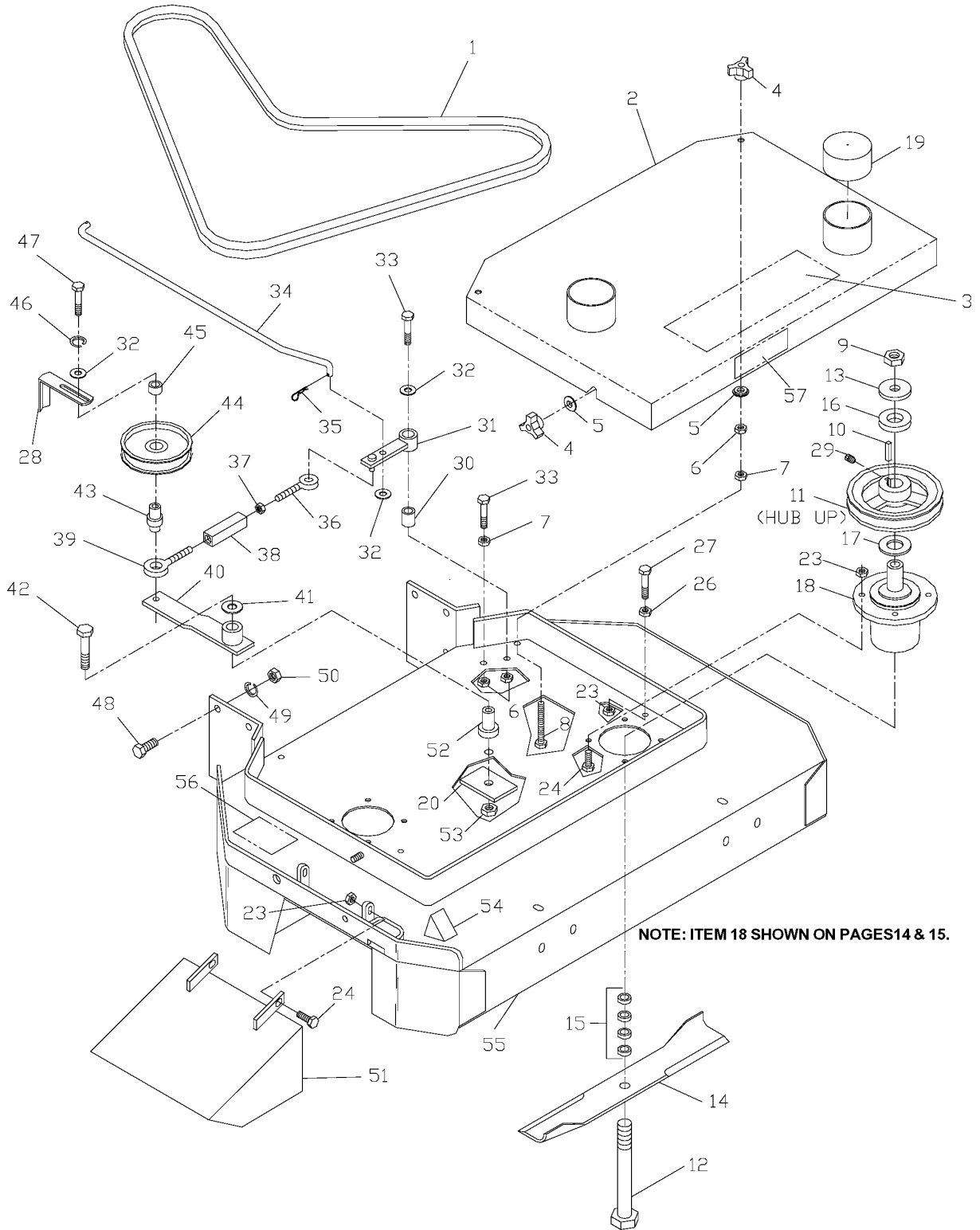


WHEELS & TIRES

WG3613P, 968999116, 2005-11

| Ref | Part No | Description | Remark | QTY KIT |
|-----|--------------|-----------------------|--------|---------|
| 1 | 539 10 47-14 | WHEEL ASM | | 1 |
| 2 | 539 10 03-95 | END CAP | | 2 |
| 3 | 539 10 03-93 | ROLLER BEARING (LONG) | | 2 |
| 4 | 539 97 69-98 | NIPPLE | | 1 |
| 5 | 539 10 47-16 | RIM | | 1 |
| 6 | 539 91 22-34 | VALVE | | 1 |
| 7 | 539 97 72-22 | TIRE | | 1 |
| 8 | 539 97 65-22 | PULLEY | | 1 |
| 9 | 539 10 19-46 | BRAKE DRUM | | 1 |
| 10 | 539 99 01-18 | WASHER | | 4 |
| 11 | 539 97 77-48 | BOLT | | 4 |

32" & 36" Front Deck Assembly

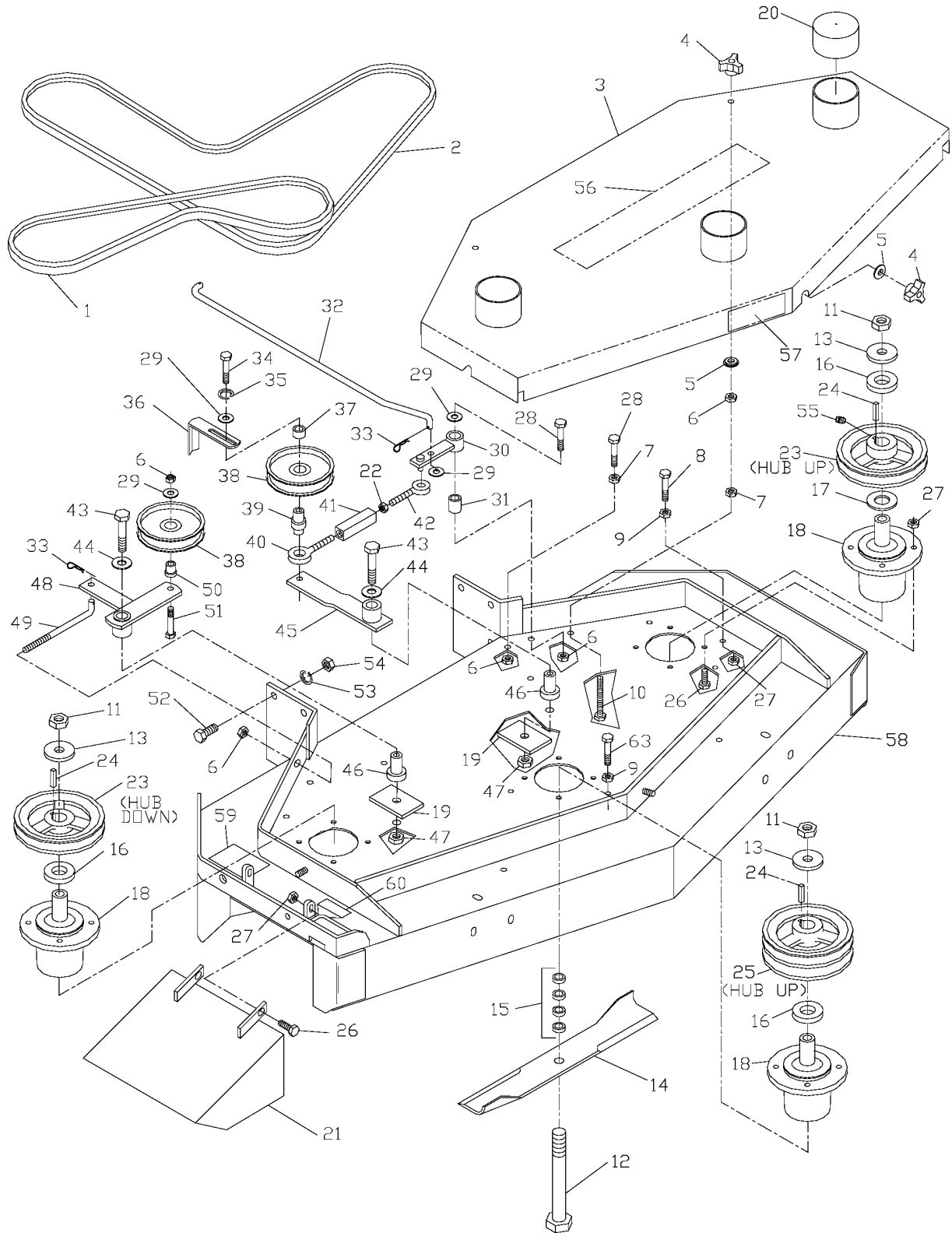


MOWER DECK / CUTTING DECK

WG3613P, 968999116, 2005-11

| Ref | Part No | Description | Remark | QTY KIT |
|-----------|--------------|----------------------|--------|---------|
| 1 | 539 10 19-59 | BELT | | 1 |
| 539102148 | 539 10 21-48 | BELT | | 1 |
| 2 | 539 10 45-61 | 36" BELT SHIELD | | 1 |
| 539104650 | 539 10 46-50 | 32 BELT SHIELD | | 1 |
| 3 | 539 11 10-47 | DECAL | | 1 |
| 4 | 539 10 20-70 | KNOB, THREE PRONG | | 4 |
| 5 | 539 10 20-56 | WASHER | | 4 |
| 6 | 539 99 05-46 | NUT | | 4 |
| 7 | 539 99 06-13 | NUT | | 3 |
| 8 | 539 10 23-34 | TAPBOLT 3/8C X 4 1/2 | | 2 |
| 9 | 539 97 69-80 | NUT 5/8F HEX | | 2 |
| 10 | 539 10 19-95 | KEY | | 2 |
| 11 | 539 97 63-98 | PULLEY W/SETSCREWS | | 2 |
| 12 | 539 10 23-32 | HCS 5/8F X 8 1/2 | | 2 |
| 13 | 539 10 22-43 | WASHER | | 2 |
| 14 | 539 10 03-41 | BLADE | | 2 |
| 539100340 | 539 10 03-40 | BLADE | | 2 |
| 15 | 539 97 64-36 | SPACER | | 8 |
| 16 | 539 10 22-45 | SPACER | | 2 |
| 17 | 539 10 26-75 | BUSHING | | 2 |
| 18 | 539 10 74-18 | HOUSING ASSY | | 2 |
| 19 | 539 10 23-20 | TUBE CAP | | 2 |
| 20 | 539 10 22-36 | PLATE | | 1 |
| 23 | 539 99 01-84 | NUT | | 16 |
| 24 | 539 99 02-09 | SCREW | | 10 |
| 26 | 539 99 05-85 | NUT | | 6 |
| 27 | 539 99 05-53 | HCS 5/16 X 3 | | 6 |
| 28 | 539 10 00-75 | SNUBBER | | 1 |
| 29 | 539 97 69-56 | SCREW | | 4 |
| 30 | 539 10 18-36 | BUSHING, SLEEVE | | 1 |
| 31 | 539 10 19-79 | ENGAGEMENT ARM | | 1 |
| 32 | 539 99 05-17 | WASHER | | 3 |
| 33 | 539 99 06-29 | SCREW | | 2 |
| 34 | 539 10 20-48 | BLADE ROD 36" | | 1 |
| 35 | 539 97 69-88 | PIN RETAINING SCREW | | 1 |
| 36 | 539 10 19-82 | BOLT | | 1 |
| 37 | 539 99 01-96 | NUT | | 1 |
| 38 | 539 10 19-83 | TURNBUCKLE | | 1 |
| 39 | 539 10 19-81 | EYEBOLT, LH | | 1 |
| 40 | 539 10 19-78 | ARM WELDMENT | | 1 |
| 41 | 539 99 05-50 | WASHER | | 1 |
| 42 | 539 10 13-32 | SCREW | | 1 |
| 43 | 539 10 19-80 | EYEBOLT PIVOT | | 1 |
| 44 | 539 97 66-88 | PULLEY | | 1 |
| 45 | 539 10 26-56 | SPACER | | 1 |
| 46 | 539 99 01-18 | WASHER | | 1 |
| 47 | 539 99 06-37 | SCREW | | 1 |
| 48 | 539 10 11-75 | SCREW | | 6 |
| 49 | 539 99 02-47 | WASHER | | 6 |
| 50 | 539 99 04-49 | NUT 7/16C HEX | | 6 |
| 51 | 539 10 45-46 | DEFLECTOR CHUTE | | 1 |
| 52 | 539 10 12-31 | SPINDLE | | 1 |
| 53 | 539 10 13-31 | NUT | | 1 |
| 54 | 539 91 30-10 | DECAL | | 1 |
| 55 | 539 10 45-63 | DECAL | | 1 |
| 539104620 | 539 10 46-20 | DECAL | | 1 |
| 56 | 539 10 57-46 | DECAL | | 1 |
| 57 | 539 10 50-71 | DECAL | | 1 |

48" Front Deck



48"/122CM CUTTING DECK

WG3613P, 968999116, 2005-11

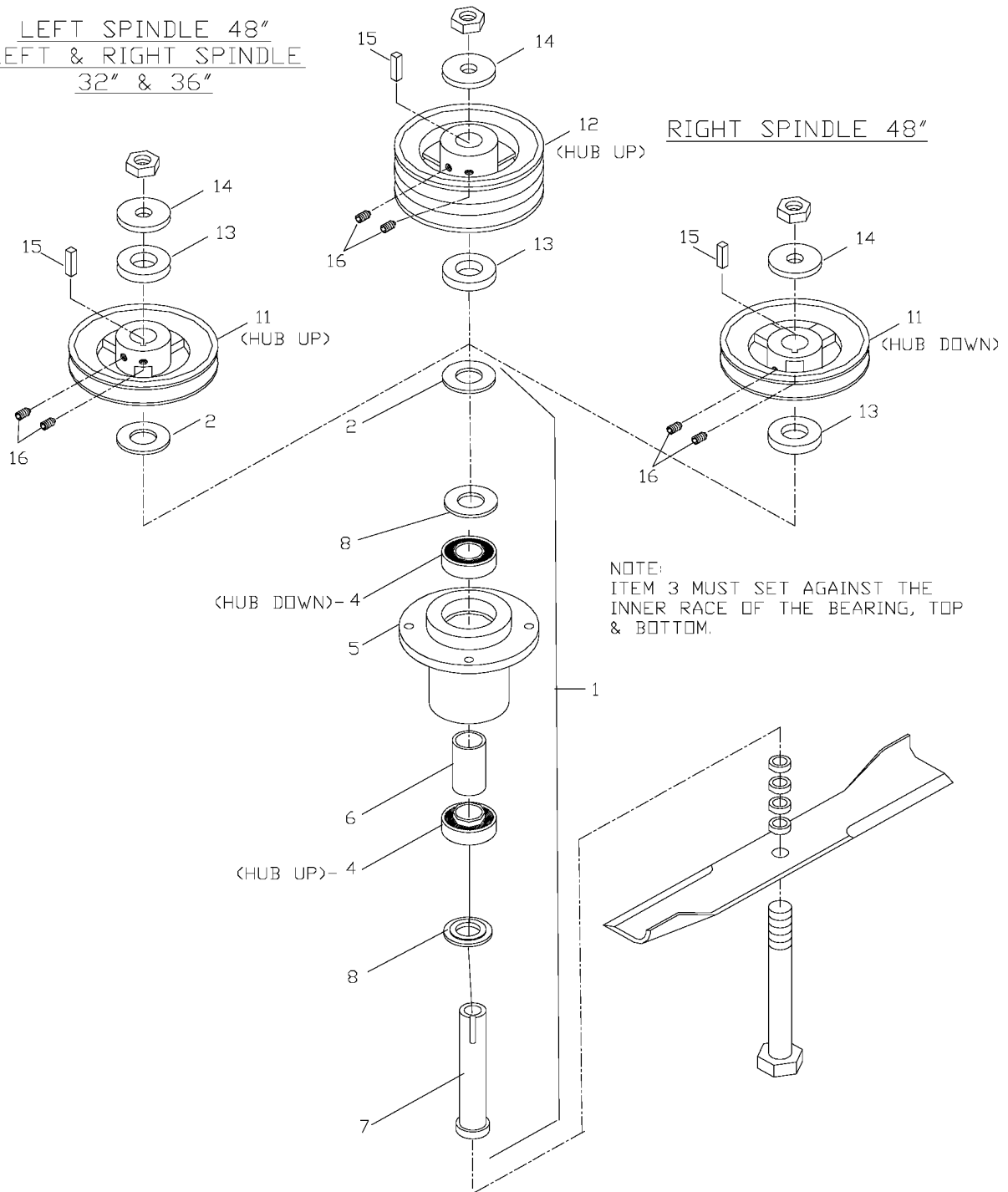
| Ref | Part No | Description | Remark | QTY KIT |
|-----------|--------------|-----------------------|--------|---------|
| 1 | 539 10 00-24 | BELT | | 1 |
| 2 | 539 10 19-58 | BELT | | 1 |
| 3 | 539 10 45-62 | BELT SHIELD 48" | | 1 |
| 4 | 539 10 20-70 | KNOB, THREE PRONG | | 5 |
| 5 | 539 10 20-56 | WASHER | | 5 |
| 6 | 539 99 05-46 | NUT | | 6 |
| 7 | 539 99 06-13 | NUT | | 6 |
| 8 | 539 99 05-53 | HCS 5/16 X 3 | | 4 |
| 9 | 539 99 05-85 | NUT | | 7 |
| 10 | 539 10 23-34 | TAPBOLT 3/8C X 4 1/2 | | 2 |
| 11 | 539 97 69-80 | NUT 5/8F HEX | | 3 |
| 12 | 539 10 23-32 | HCS 5/8F X 8 1/2 | | 2 |
| 539101100 | 539 10 11-00 | HCS 5/8F X 9 | | 1 |
| 13 | 539 10 22-43 | WASHER | | 3 |
| 14 | 539 10 03-40 | BLADE | | 3 |
| 15 | 539 97 64-36 | SPACER | | 12 |
| 16 | 539 10 22-45 | SPACER | | 3 |
| 17 | 539 10 26-75 | BUSHING | | 1 |
| 18 | 539 10 74-18 | HOUSING ASSY | | 3 |
| 19 | 539 10 22-36 | PLATE | | 2 |
| 20 | 539 10 23-20 | TUBE CAP | | 3 |
| 21 | 539 10 45-46 | DEFLECTOR CHUTE | | 1 |
| 22 | 539 99 01-96 | NUT | | 1 |
| 23 | 539 97 63-98 | PULLEY W/SETSCREWS | | 2 |
| 24 | 539 10 19-95 | KEY | | 3 |
| 25 | 539 10 18-19 | PULLEY, DOUBLE W/SETS | | 1 |
| 26 | 539 99 02-09 | SCREW | | 14 |
| 27 | 539 99 01-84 | NUT | | 21 |
| 28 | 539 99 06-29 | SCREW | | 2 |
| 29 | 539 99 05-17 | WASHER | | 4 |
| 30 | 539 10 19-79 | ENGAGEMENT ARM | | 1 |
| 31 | 539 10 18-36 | BUSHING, SLEEVE | | 1 |
| 32 | 539 10 20-31 | BLADE ROD 48" | | 1 |
| 33 | 539 97 69-88 | PIN RETAINING SCREW | | 2 |
| 34 | 539 99 06-37 | SCREW | | 1 |
| 35 | 539 99 01-18 | WASHER | | 1 |
| 36 | 539 10 00-75 | SNUBBER | | 1 |
| 37 | 539 10 26-56 | SPACER | | 1 |
| 38 | 539 97 66-88 | PULLEY | | 2 |
| 39 | 539 10 19-80 | EYEBOLT PIVOT | | 1 |
| 40 | 539 10 19-81 | EYEBOLT, LH | | 1 |
| 41 | 539 10 19-83 | TURNBUCKLE | | 1 |
| 42 | 539 10 19-82 | BOLT | | 1 |
| 43 | 539 10 13-32 | SCREW | | 2 |
| 44 | 539 99 05-50 | WASHER | | 3 |
| 45 | 539 10 19-78 | ARM WELDMENT | | 1 |
| 46 | 539 10 12-31 | SPINDLE | | 2 |
| 47 | 539 10 13-31 | NUT | | 2 |
| 48 | 539 10 22-37 | IDLER ARM, AUX. | | 1 |
| 49 | 539 10 23-37 | TENSION ROD | | 1 |
| 50 | 539 97 66-95 | BUSHING | | 1 |
| 51 | 539 99 07-30 | SCREW | | 1 |
| 52 | 539 10 11-75 | SCREW | | 6 |
| 53 | 539 99 02-47 | WASHER | | 6 |
| 54 | 539 99 04-49 | NUT 7/16C HEX | | 6 |
| 55 | 539 97 69-56 | SCREW | | 6 |
| 56 | 539 11 10-47 | DECAL | | 1 |
| 57 | 539 10 50-71 | DECAL | | 1 |
| 58 | 539 10 45-64 | DECAL | | 1 |
| 59 | 539 10 03-44 | DECAL | | 1 |
| 60 | 539 91 30-10 | DECAL | | 1 |
| 63 | 539 10 23-35 | BOLT | | 3 |

Cutter Housing Assembly

CENTER SPINDLE 48"

LEFT SPINDLE 48"
LEFT & RIGHT SPINDLE
32" & 36"

RIGHT SPINDLE 48"

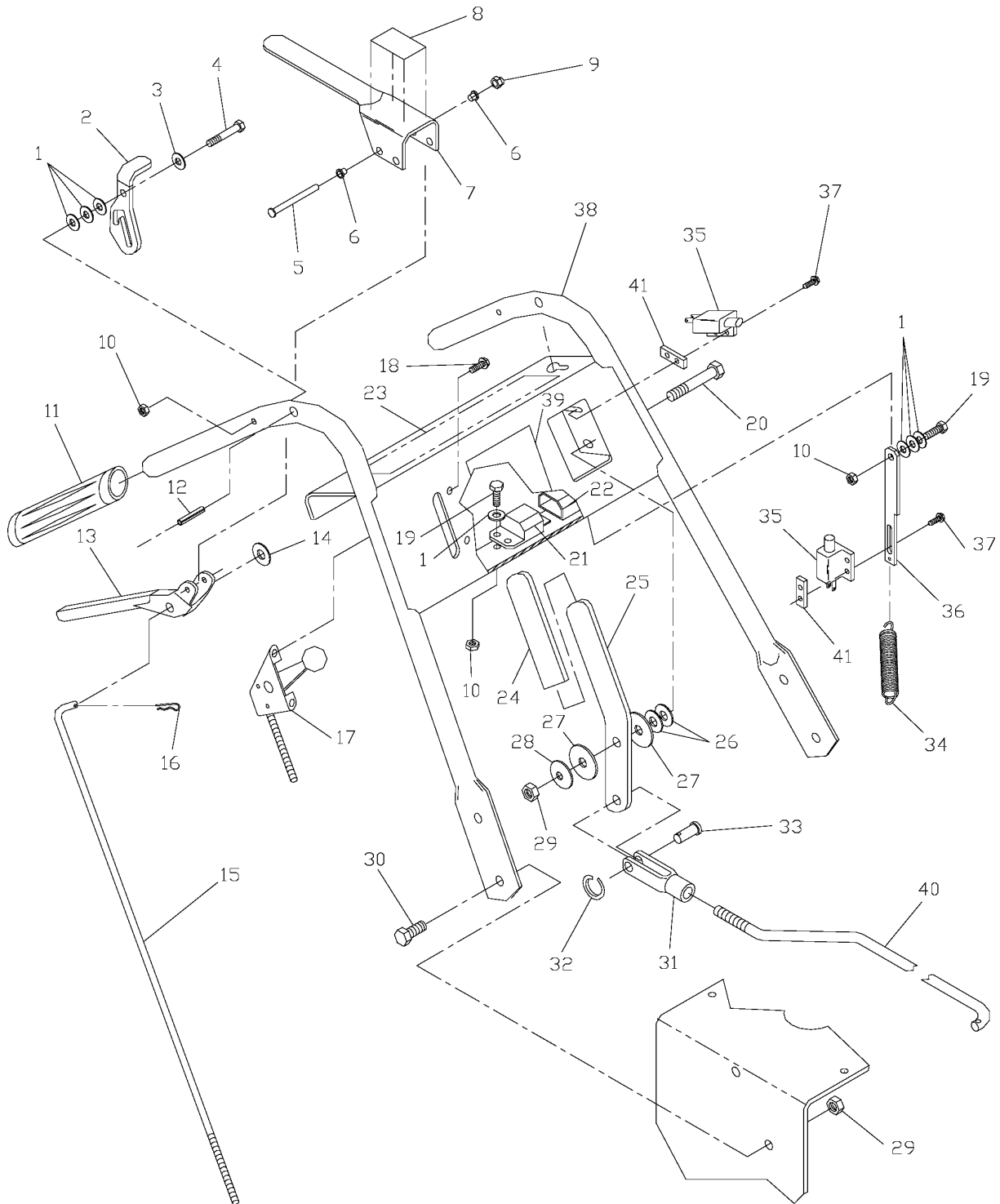


HOUSING

WG3613P, 968999116, 2005-11

| Ref | Part No | Description | Remark | QTY KIT |
|-----|--------------|-----------------------|--------|---------|
| 1 | 539 10 74-18 | HOUSING ASSY | | 1 |
| 2 | 539 10 26-75 | BUSHING | | 1 |
| 4 | 539 10 26-77 | BEARING | | 2 |
| 5 | 539 10 26-73 | HOUSING | | 1 |
| 6 | 539 10 26-76 | SPACER | | 1 |
| 7 | 539 10 26-74 | SPINDLE | | 1 |
| 8 | 539 10 72-72 | SPACER | | 2 |
| 11 | 539 97 63-98 | PULLEY W/SETSCREWS | | 1 |
| 12 | 539 10 18-19 | PULLEY, DOUBLE W/SETS | | 1 |
| 13 | 539 10 22-45 | SPACER | | 1 |
| 14 | 539 10 22-43 | WASHER | | 1 |
| 15 | 539 10 19-95 | KEY | | 1 |
| 16 | 539 97 69-56 | SCREW | | 2 |

Upper Handle Assembly

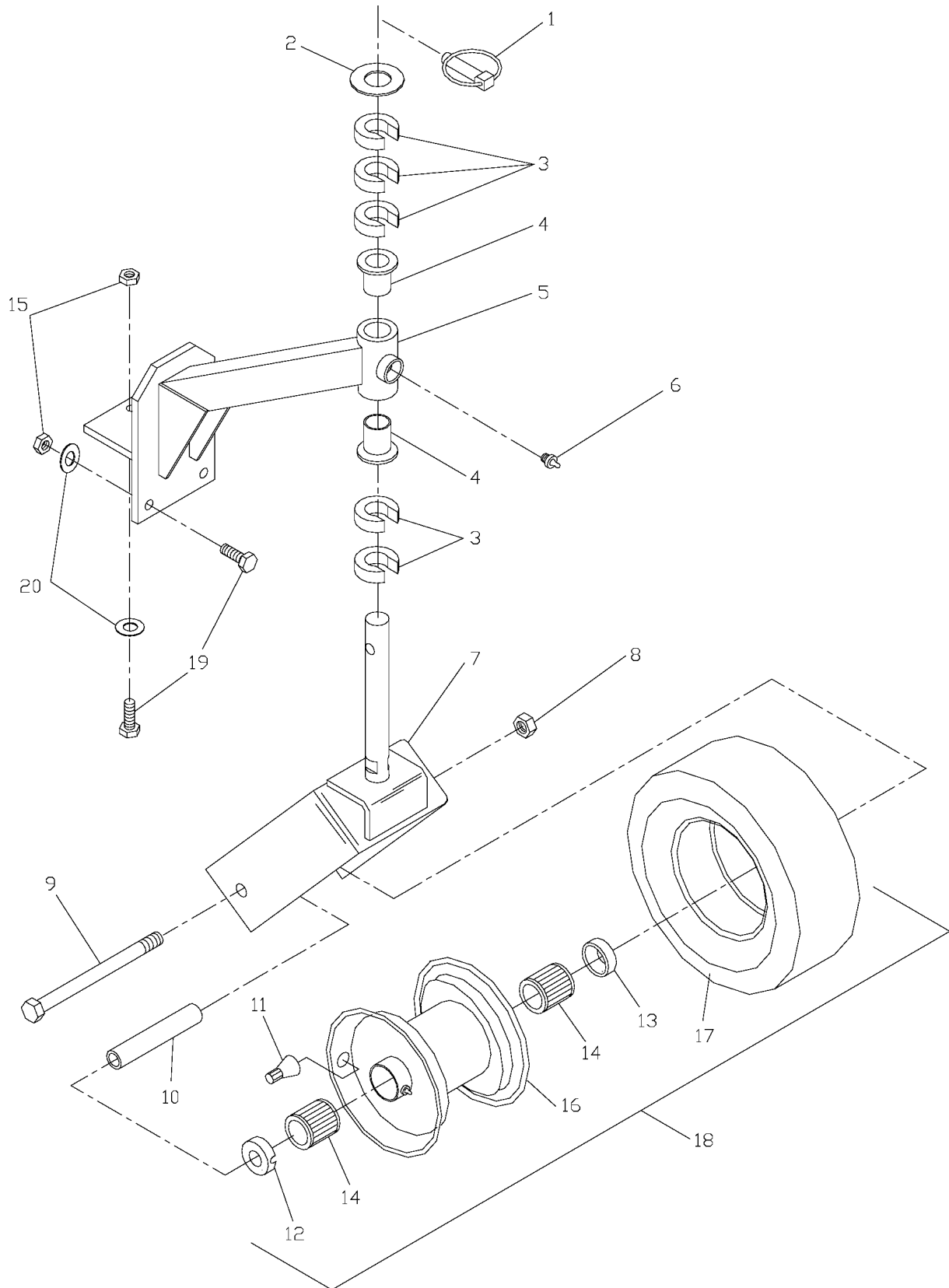


HANDLE & CONTROLS

WG3613P, 968999116, 2005-11

| Ref | Part No | Description | Remark | QTY KIT |
|-----------|--------------|-------------------------|--------|---------|
| 1 | 539 99 00-55 | WASHER 1/4 SAE | | 13 |
| 2 | 539 97 63-87 | LATCH, LT. THUMB W/GRIP | | 1 |
| 539976388 | 539 97 63-88 | LATCH, RT.THUMP W/GRIP | | 1 |
| 3 | 539 97 69-83 | WASHER | | 2 |
| 4 | 539 99 10-03 | BOLT | | 2 |
| 5 | 539 97 78-84 | PIN | | 2 |
| 6 | 539 97 78-86 | BUSHING | | 4 |
| 7 | 539 97 78-57 | LEVER O P W/GRIP | | 2 |
| 8 | 539 10 02-85 | DECAL | | 2 |
| 9 | 539 91 47-34 | NUT, PUSH | | 2 |
| 10 | 539 99 07-61 | NUT | | 5 |
| 11 | 539 97 64-88 | GRIP | | 2 |
| 12 | 539 92 33-13 | ROLL PIN 5/16 X 1.125 | | 2 |
| 13 | 539 10 17-91 | LEVER, MOLDED DRIVE | | 2 |
| 14 | 539 99 06-92 | WASHER | | 2 |
| 15 | 539 10 19-86 | TRACTION ROD | | 2 |
| 16 | 539 97 69-88 | PIN RETAINING SCREW | | 2 |
| 17 | 539 10 19-63 | THROTTLE CONTROL W/BALL | | 1 |
| 18 | 539 99 03-02 | HWST 1/4C X 3/8 | | 2 |
| 19 | 539 99 05-80 | SCREW | | 3 |
| 20 | 539 99 06-55 | SCREW | | 1 |
| 21 | 539 10 17-81 | MODULE | | 1 |
| 22 | 539 10 65-31 | HANDLE HARNESS, KAW | | 1 |
| 23 | 539 10 19-35 | DECAL | | 1 |
| 24 | 539 97 65-26 | HANDLE | | 1 |
| 25 | 539 10 00-82 | LEVER | | 1 |
| 26 | 539 99 05-17 | WASHER | | 2 |
| 27 | 539 10 12-19 | WASHER | | 2 |
| 28 | 539 91 20-63 | CONE WASHER | | 1 |
| 29 | 539 99 05-46 | NUT | | 5 |
| 30 | 539 99 05-63 | SCREW | | 4 |
| 31 | 539 97 74-65 | BRACKET | | 1 |
| 32 | 539 91 64-59 | RETAINER | | 1 |
| 33 | 539 97 77-03 | PIN RETAINING SCREW | | 1 |
| 34 | 539 97 72-50 | SPRING | | 2 |
| 35 | 539 91 90-98 | SWITCH | | 3 |
| 36 | 539 10 18-01 | LINKAGE, O P | | 2 |
| 37 | 539 97 69-52 | SCREW | | 6 |
| 38 | 539 10 20-62 | DECAL | | 1 |
| 39 | 539 10 18-91 | DECAL | | 1 |
| 40 | 539 10 19-72 | BLADE ROD | | 1 |
| 41 | 539 10 26-78 | PLATE | | 3 |

Front Caster Assembly

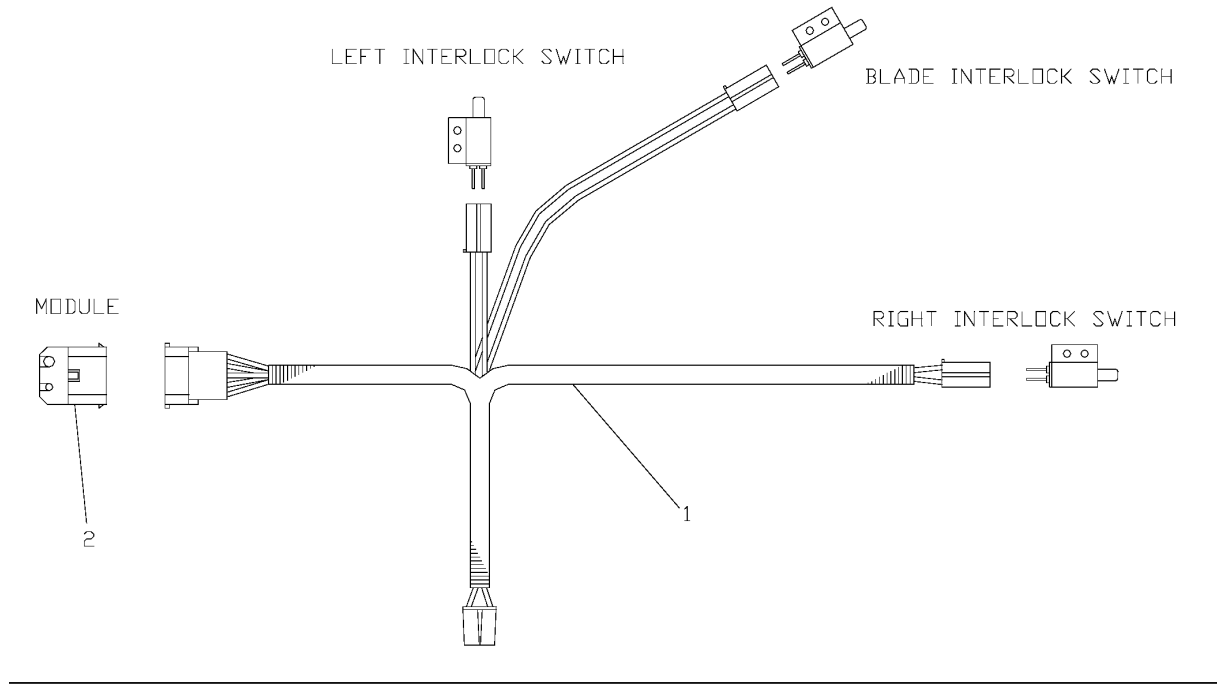


CASTERS

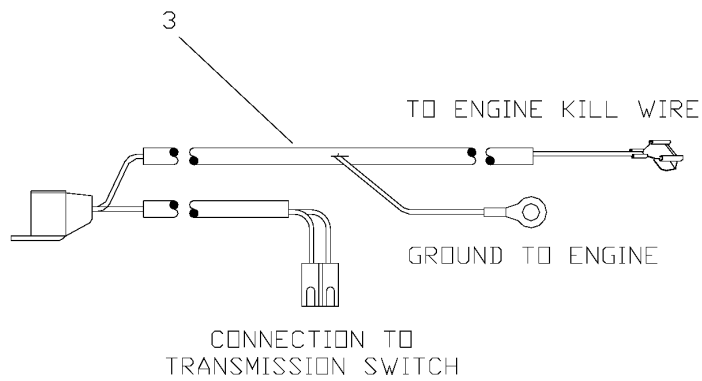
WG3613P, 968999116, 2005-11

| Ref | Part No | Description | Remark | QTY KIT |
|-----|--------------|-----------------------------|--------|---------|
| 1 | 539 10 18-74 | LYNCH PIN 7/16 | | 1 |
| 2 | 539 91 65-61 | MACHINE BUSHING | | 1 |
| 3 | 539 10 18-73 | C-SPACER | | 5 |
| 4 | 539 10 12-32 | BUSHING | | 2 |
| 5 | 539 10 45-55 | CASTER ARM W/BUSHING | | 1 |
| 6 | 539 97 69-97 | NIPPLE | | 1 |
| 7 | 539 10 45-54 | CASTER YOKE | | 1 |
| 8 | 539 10 13-31 | NUT | | 1 |
| 9 | 539 10 19-07 | SCREW | | 1 |
| 10 | 539 10 18-72 | SPACER | | 1 |
| 11 | 539 91 22-34 | VALVE | | 1 |
| 12 | 539 97 73-56 | ENDCAP, NOTCHED | | 1 |
| 13 | 539 92 35-57 | ENDCAP | | 1 |
| 14 | 539 97 73-53 | ROLLER BEARING | | 2 |
| 15 | 539 99 05-46 | NUT | | 3 |
| 16 | 539 10 46-18 | RIM | | 1 |
| 17 | 539 10 19-05 | TIRE, 9" | | 1 |
| 18 | 539 10 45-56 | TIRE | | 1 |
| 19 | 539 99 05-63 | SCREW | | 3 |
| 20 | 539 99 05-17 | WASHER | | 3 |
| 21 | 539 10 45-59 | WHEEL CASTER ASM KIT, FRONT | | 1 |

Wiring Harness



GROUND HARNESS KOHLER

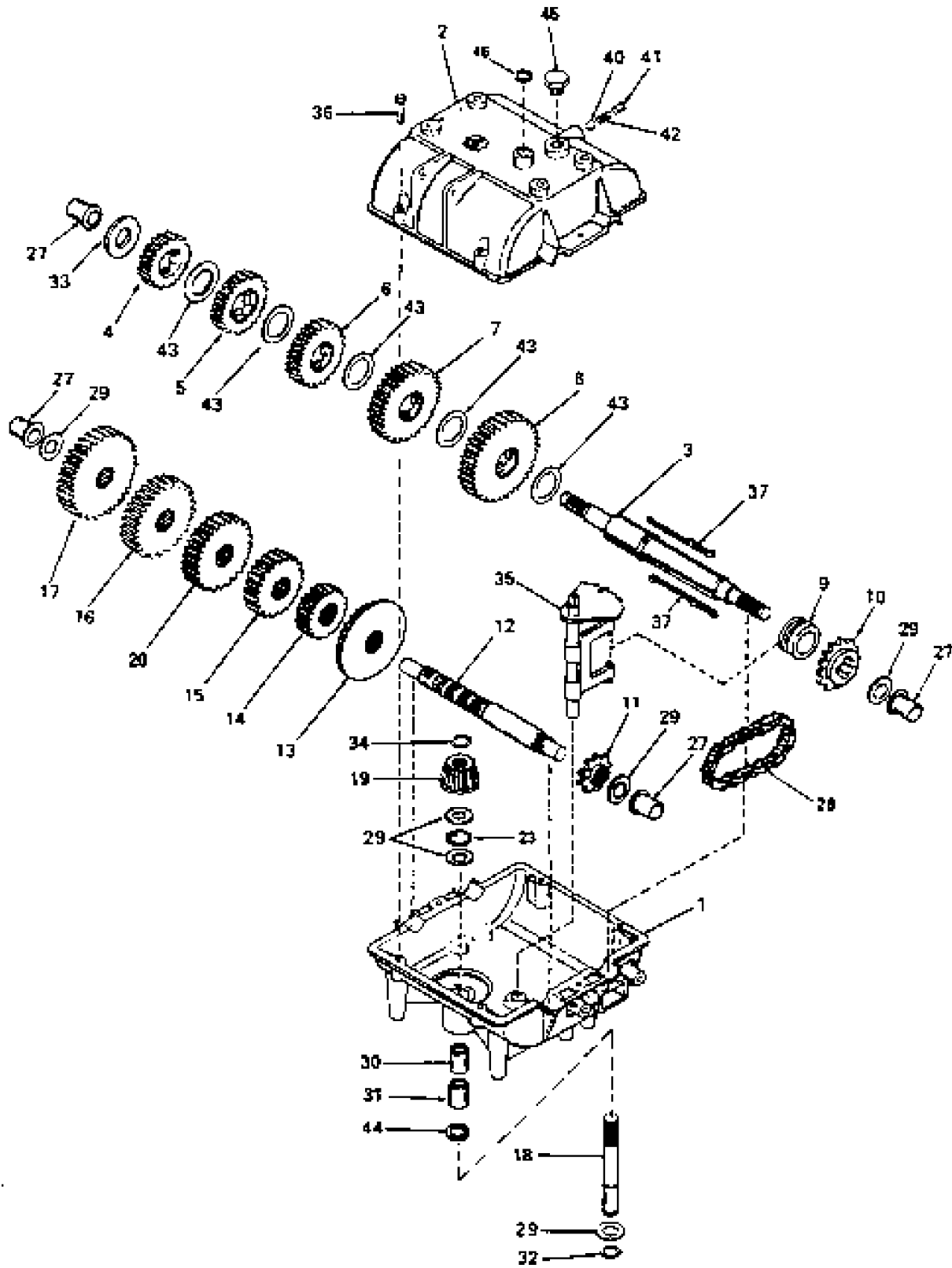


ELECTRICAL

WG3613P, 968999116, 2005-11

| Ref | Part No | Description | Remark | QTY KIT |
|-----|--------------|----------------|--------|---------|
| 1 | 539 10 19-84 | HANDLE HARNESS | | 1 |
| 2 | 539 10 17-81 | MODULE | | 1 |
| 3 | 539 10 49-91 | GROUND HARNESS | | 1 |

Transmission Assembly



TRANSMISSION

WG3613P, 968999116, 2005-11

| Ref | Part No | Description | Remark | QTY KIT |
|-----|--------------|----------------------------|--------|---------|
| 1 | 539 10 20-75 | TRANSMISSION CASE | | 1 |
| 2 | 539 10 03-71 | TRANSMISSION COVER | | 1 |
| 3 | 539 10 21-79 | OUTPUT & BRAKE SHAFT | | 1 |
| 4 | 539 10 20-77 | SPUR GEAR (27 TEETH) | | 1 |
| 5 | 539 10 03-77 | SPUR GEAR (30 TEETH) | | 1 |
| 6 | 539 10 20-78 | SPUR GEAR (32 TEETH) | | 1 |
| 7 | 539 10 03-76 | SPUR GEAR (35 TEETH) | | 1 |
| 8 | 539 10 20-79 | SPUR GEAR (37 TEETH) | | 1 |
| 9 | 539 97 75-61 | SHIFT COLLAR | | 1 |
| 10 | 539 97 75-62 | SPROCKET (18 TEECH) | | 1 |
| 11 | 539 97 75-63 | SPROCKET (9 TEECH) | | 1 |
| 12 | 539 97 75-64 | COUNTERSHAFT | | 1 |
| 13 | 539 97 75-65 | GEAR, BEVEL (42 TEETH) | | 1 |
| 14 | 539 10 20-80 | SPUR GEAR (12 TEETH) | | 1 |
| 15 | 539 10 20-81 | SPUR GEAR (15 TEETH) | | 1 |
| 16 | 539 10 03-82 | SPUR GEAR (20 TEETH) | | 1 |
| 17 | 539 10 20-82 | SPUR GEAR (23 TEETH) | | 1 |
| 18 | 539 97 75-71 | INPUT SHAFT | | 1 |
| 19 | 539 10 03-72 | INPUT BEVEL PINION | | 1 |
| 20 | 539 10 20-83 | SPUR GEAR (18 TEETH) | | 1 |
| 23 | 539 10 03-74 | THRUST BEARING | | 1 |
| 27 | 539 97 75-73 | BUSHING | | 4 |
| 28 | 539 97 75-74 | CHAIN, ROLLER #41 24 LINK | | 1 |
| 29 | 539 97 75-75 | THRUST WASHER | | 6 |
| 30 | 539 97 75-92 | NEEDLE BEARING | | 1 |
| 31 | 539 97 75-76 | NEEDLE BEARING | | 1 |
| 32 | 539 97 75-77 | RETAINER RING | | 1 |
| 33 | 539 10 20-84 | WASHER, THRUST | | 1 |
| 34 | 539 97 75-79 | RETAINING RING | | 1 |
| 35 | 539 10 21-80 | SHIFT ROD & FORK | | 1 |
| 36 | 539 97 75-81 | W FLANGED HEX HD THREADFOR | | 6 |
| 37 | 539 97 75-82 | KEY | | 4 |
| 40 | 539 97 75-83 | STEEL BALL 5/16" | | 1 |
| 41 | 539 97 75-84 | SET SCREW 3/8-16 X 3/8" | | 1 |
| 42 | 539 97 75-85 | SPRING | | 1 |
| 43 | 539 97 75-86 | WASHER THRUST | | 5 |
| 44 | 539 97 75-87 | O-RING | | 1 |
| 45 | 539 10 01-48 | SWITCH, TRANS | | 1 |
| 46 | 539 10 03-88 | SEAL, SQUARE CUT | | 1 |
| 47 | 539 10 21-62 | TRANSMISSION | | 1 |