

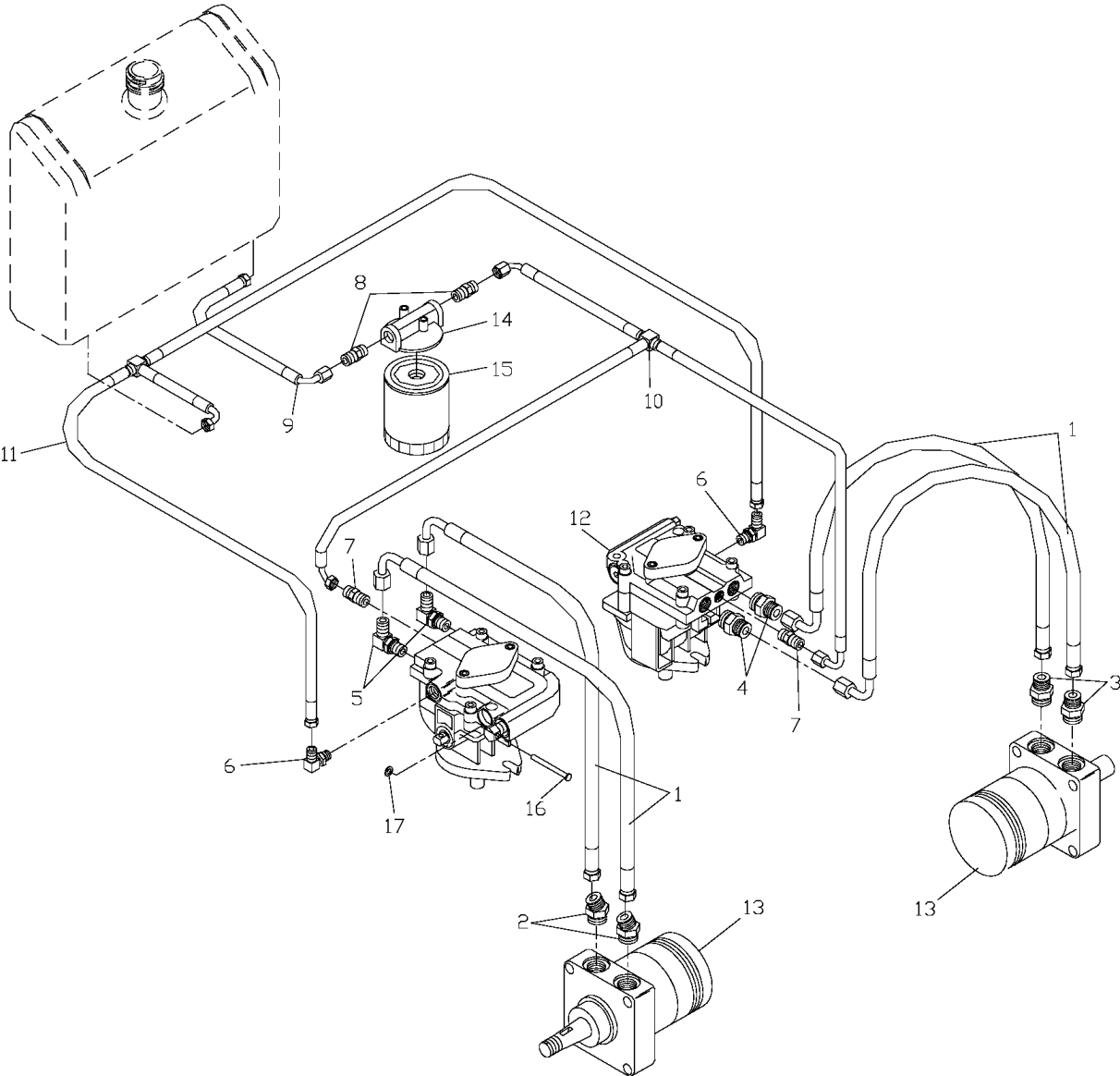


SPARE PARTS LIST

LAWN MOWERS: COMMERCIAL
WALK-BEHINDS

WH3614A, 968999105, 2001-02

HYDRAULIC ASSEMBLY

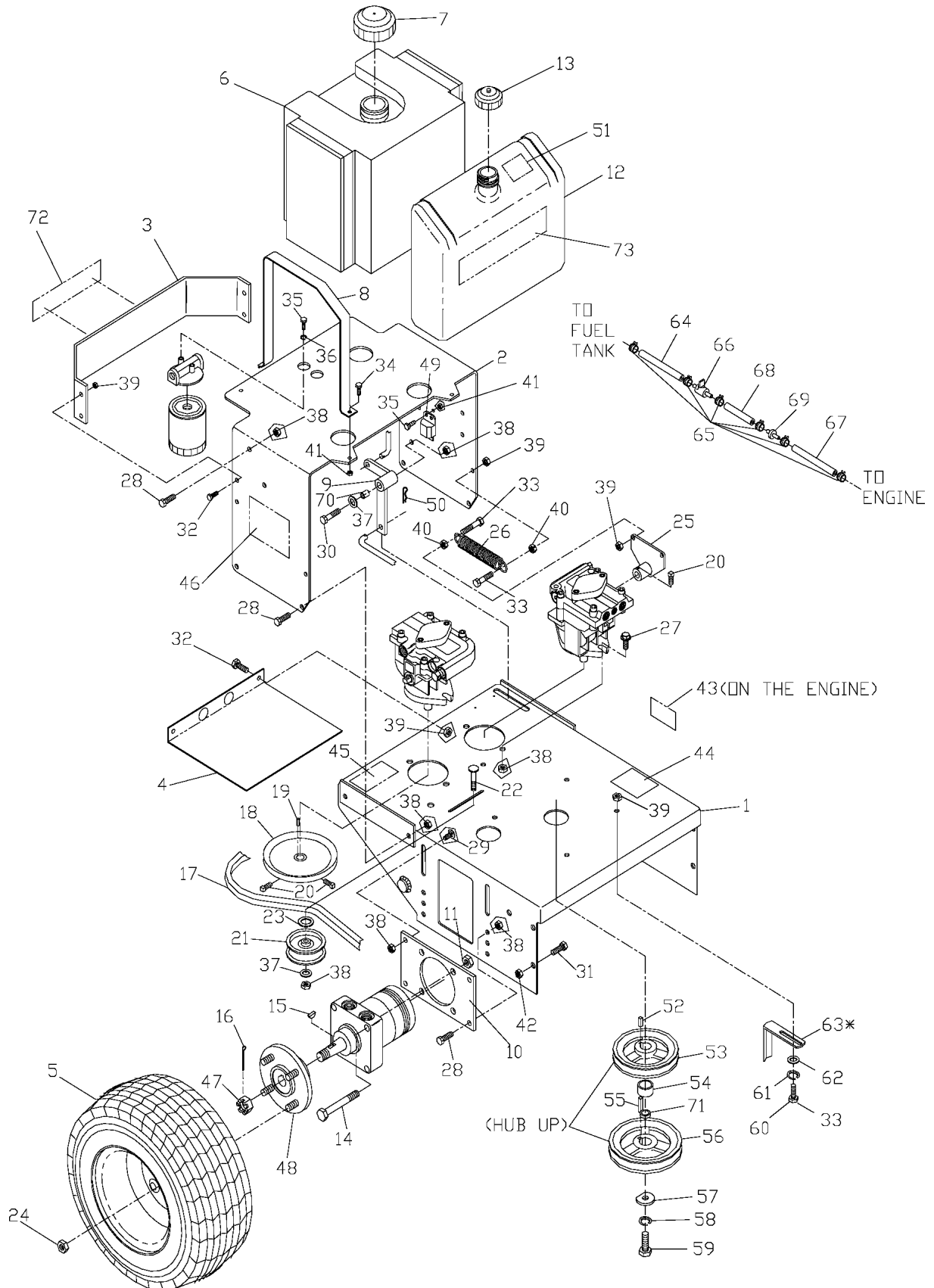


HYDRAULIC PUMP - MOTOR

WH3614A, 968999105, 2001-02

Ref	Part No	Description	Remark	QTY KIT
1	539 10 12-45	HOSE, 1/2" HYDRAULIC		4
2	539 10 12-43	ELBOW		2
3	539 10 12-39	CONNECTOR		2
4	539 10 12-37	CONNECTION		2
5	539 10 12-42	ELBOW		2
6	539 10 12-38	CONNECTION		2
7	539 10 12-36	FITTING		2
8	539 10 33-16	CONNECTION		2
9	539 10 12-48	HOSE		1
10	539 10 22-29	INLET		1
11	539 10 22-30	FITTING		1
12	539 10 11-11	PUMP		2
13	539 10 11-10	WHEEL MOTOR		2
14	539 10 11-65	FILTER COVER		1
15	539 10 26-06	FILTER		1
16	539 10 22-33	PIN RETAINING SCREW		2
17	539 10 22-34	NUT		2

REAR DECK ASSEMBLY



MOWER DECK / CUTTING DECK

WH3614A, 968999105, 2001-02

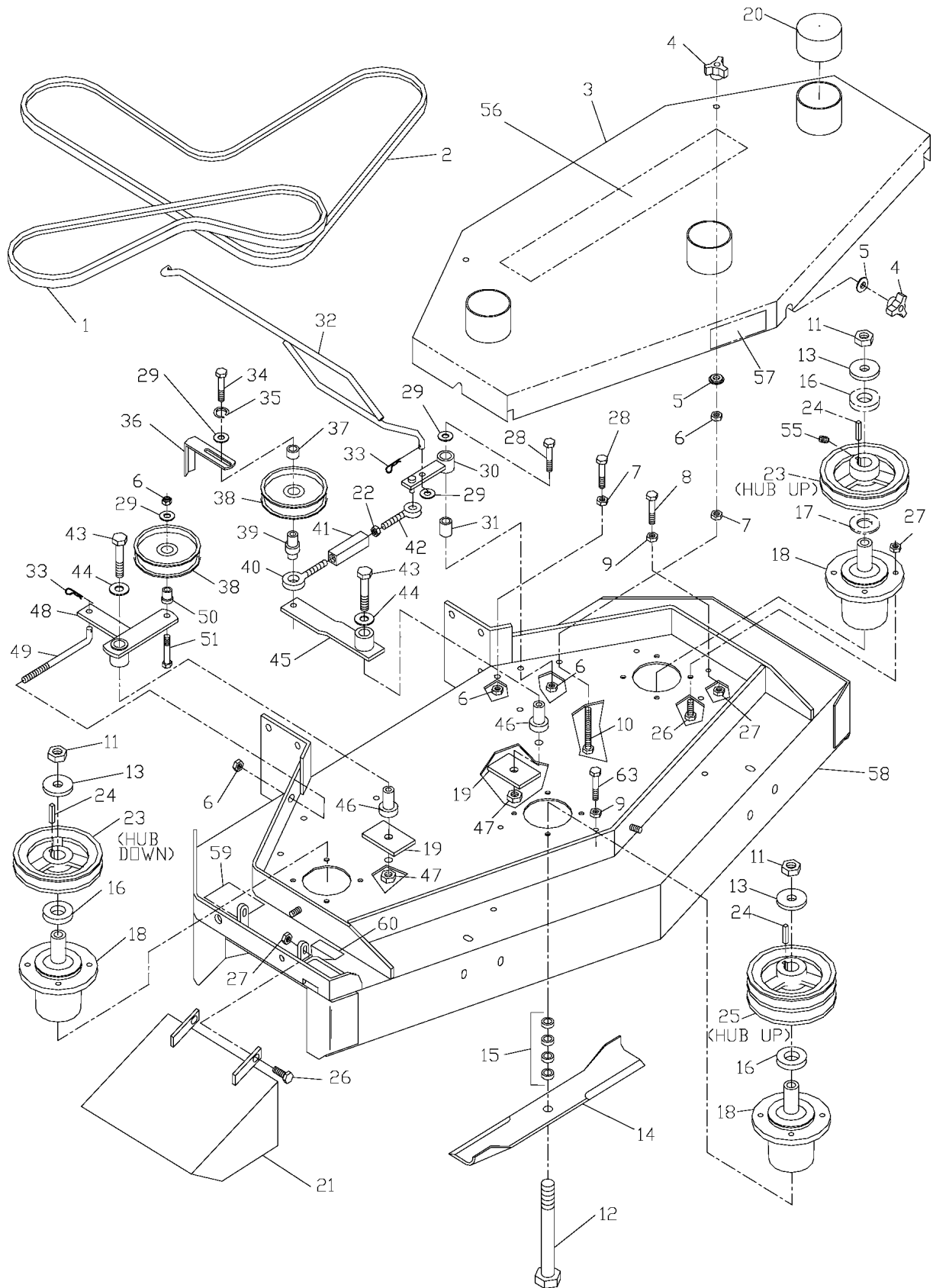
Ref	Part No	Description	Remark	QTY KIT
1	539 10 45-60	DECAL		1
2	539 10 22-08	TANK SUPPORT, WELDMENT		1
3	539 10 13-24	BUMPER		1
4	539 10 45-47	BRACKET		1
5	539 10 45-53	WHEEL. COMPLETE		2
539101548	539 10 15-48	TIRE		2
539104628	539 10 46-28	WHEEL		2
539912234	539 91 22-34	VALVE		2
6	539 10 01-35	FUEL TANK		1
7	539 91 43-63	FUEL CAP		1
8	539 10 30-07	TANK STRAP		2
9	539 10 34-61	BELL CRANK		1
10	539 10 22-19	MOTOR MOUNT, 36		2
539102220	539 10 22-20	MOTOR MOUNT, 48		2
11	539 10 13-31	NUT		8
12	539 10 47-98	HYD TANK		1
13	539 10 12-02	COVER		1
14	539 10 13-32	SCREW		8
15	539 10 14-65	KEY, #808 WOODRUFF		2
16	539 99 02-97	SPLIT PIN		2
17	539 10 12-28	BELT		1
18	539 10 22-28	PULLEY		2
19	539 10 11-77	KEY		2
20	539 10 27-17	SCREW		6
21	539 91 90-78	PULLEY		1
22	539 10 01-45	RHSNB 3/8C X 2		1
23	539 99 05-50	WASHER		1
24	539 10 11-73	NUT		8
25	539 10 29-73	PUMP ARM WLDMT		2
26	539 91 61-59	SPRINT		2
27	539 99 05-82	SCREW		4
28	539 99 05-63	SCREW		12
29	539 99 06-45	BOLT		4
30	539 99 05-88	SCREW		1
31	539 10 01-43	SCREW		6
32	539 97 69-34	SCREW		6
33	539 99 06-69	SCREW		4
	539 99 06-69	SCREW		4
34	539 99 05-48	SCREW		4
35	539 99 00-72	SCREW		2
36	539 99 00-52	WASHER		2
37	539 99 05-17	WASHER		2
38	539 99 05-46	NUT		22
39	539 99 01-84	NUT		10
	539 99 01-84	NUT		4
40	539 99 05-85	NUT		4
41	539 99 03-72	NUT		5
42	539 99 08-39	NUT		6
43	539 10 01-28	DECAL		1
44	539 10 18-81	DECAL		1
45	539 10 03-61	DECAL		1
46	539 10 47-89	DECAL		2
47	539 10 14-68	NUT, HEX SLOTTED		2
48	539 10 11-09	HUB		2
49	539 10 17-81	MODULE		1
50	539 97 69-88	PIN RETAINING SCREW		1
51	539 10 10-59	DECAL		1
52	539 10 20-67	KEY		1
53	539 10 17-19	PULLEY		1
54	539 10 17-20	SPACER		1
55	539 10 19-95	KEY		1
56	539 10 18-34	PULLEY, ENGINE		1
57	539 10 01-32	WASHER		1
58	539 99 02-47	WASHER		1

MOWER DECK / CUTTING DECK

WH3614A, 968999105, 2001-02

Ref	Part No	Description	Remark	QTY KIT
59	539 10 01-42	HCS M10-1.5X35MM		1
539100141	539 10 01-41	SCREW		1
60	539 97 76-92	BOLT		4
539100567	539 10 05-67	HCS M8-1.25X30MM GD8.8 ZD		4
61	539 99 01-87	WASHER		4
62	539 99 06-92	WASHER		2
63	539 10 20-36	BELT GUIDE		1
539103462	539 10 34-62	BELT GUIDE		2
	539 10 34-62	BELT GUIDE		1
539103463	539 10 34-63	BELT GUIDE		1
64	539 92 34-79	GAS LINE 16"		1
65	539 91 22-22	CLAMP		6
	539 91 22-22	CLAMP		4
66	539 91 63-25	VALVE		1
67	539 93 29-56	GAS LINE 10"		1
68	539 97 73-51	GAS LINE 3 1/2"		1
539104993	539 10 49-93	GAS LINE - 14"		1
69	539 91 43-59	FUEL FILTER		1
70	539 10 18-36	BUSHING, SLEEVE		1
71	539 10 20-50	BUSHING		1
72	539 10 47-87	DECAL		1
73	539 10 47-88	DECAL		1
539104792	539 10 47-92	DECAL		1
539104832	539 10 48-32	DECAL		1

48" FRONT DECK

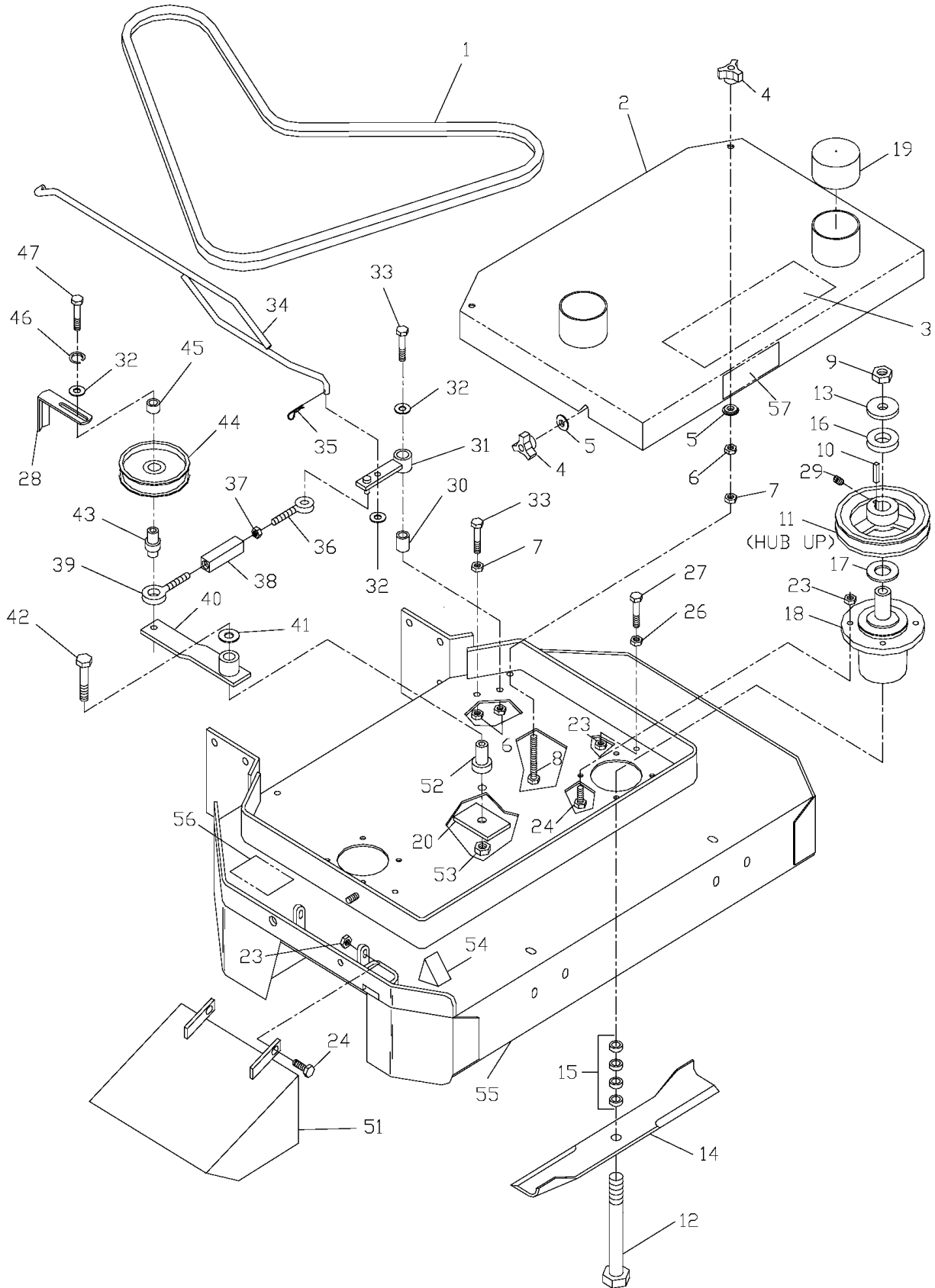


48"/122CM CUTTING DECK

WH3614A, 968999105, 2001-02

Ref	Part No	Description	Remark	QTY KIT
1	539 10 00-24	BELT		1
2	539 10 19-58	BELT		1
3	539 10 45-62	BELT SHIELD 48"		1
4	539 10 20-70	KNOB, THREE PRONG		5
5	539 10 20-56	WASHER		5
6	539 99 05-46	NUT		6
7	539 99 06-13	NUT		6
8	539 99 05-53	HCS 5/16 X 3		4
9	539 99 05-85	NUT		7
10	539 10 23-34	TAPBOLT 3/8C X 4 1/2		2
11	539 97 69-80	NUT 5/8F HEX		3
12	539 10 23-32	HCS 5/8F X 8 1/2		2
539101100	539 10 11-00	HCS 5/8F X 9		1
13	539 10 22-43	WASHER		3
14	539 10 03-40	BLADE		3
15	539 97 64-36	SPACER		12
16	539 10 22-45	SPACER		3
17	539 10 26-75	BUSHING		1
18	539 10 24-40	SERVICE KIT		3
19	539 10 22-36	PLATE		2
20	539 10 23-20	TUBE CAP		3
21	539 10 45-46	DEFLECTOR CHUTE		1
22	539 99 01-96	NUT		1
23	539 97 63-98	PULLEY W/SETSCREWS		2
24	539 10 19-95	KEY		3
25	539 10 18-19	PULLEY, DOUBLE W/SETS		1
26	539 99 02-09	SCREW		14
27	539 99 01-84	NUT		21
28	539 99 06-29	SCREW		2
29	539 99 05-17	WASHER		4
30	539 10 19-79	ENGAGEMENT ARM		1
31	539 10 18-36	BUSHING, SLEEVE		1
32	539 10 34-58	LOWER LINK		1
33	539 97 69-88	PIN RETAINING SCREW		2
34	539 99 06-37	SCREW		1
35	539 99 01-18	WASHER		1
36	539 10 00-75	SNUBBER		1
37	539 10 26-56	SPACER		1
38	539 97 66-88	PULLEY		2
39	539 10 19-80	EYEBOLT PIVOT		1
40	539 10 19-81	EYEBOLT, LH		1
41	539 10 19-83	TURNBUCKLE		1
42	539 10 19-82	BOLT		1
43	539 10 13-32	SCREW		2
44	539 99 05-50	WASHER		3
45	539 10 19-78	ARM WELDMENT		1
46	539 10 12-31	SPINDLE		2
47	539 10 13-31	NUT		2
48	539 10 22-37	IDLER ARM, AUX.		1
49	539 10 23-37	TENSION ROD		1
50	539 97 66-95	BUSHING		1
51	539 99 07-30	SCREW		1
55	539 97 69-56	SCREW		6
56	539 10 47-90	DECAL		1
57	539 10 50-71	DECAL		1
58	539 10 45-64	DECAL		1
59	539 10 03-44	DECAL		1
60	539 91 30-10	DECAL		1
63	539 10 23-35	BOLT		3

36" FRONT DECK ASSEMBLY



MOWER DECK / CUTTING DECK

WH3614A, 968999105, 2001-02

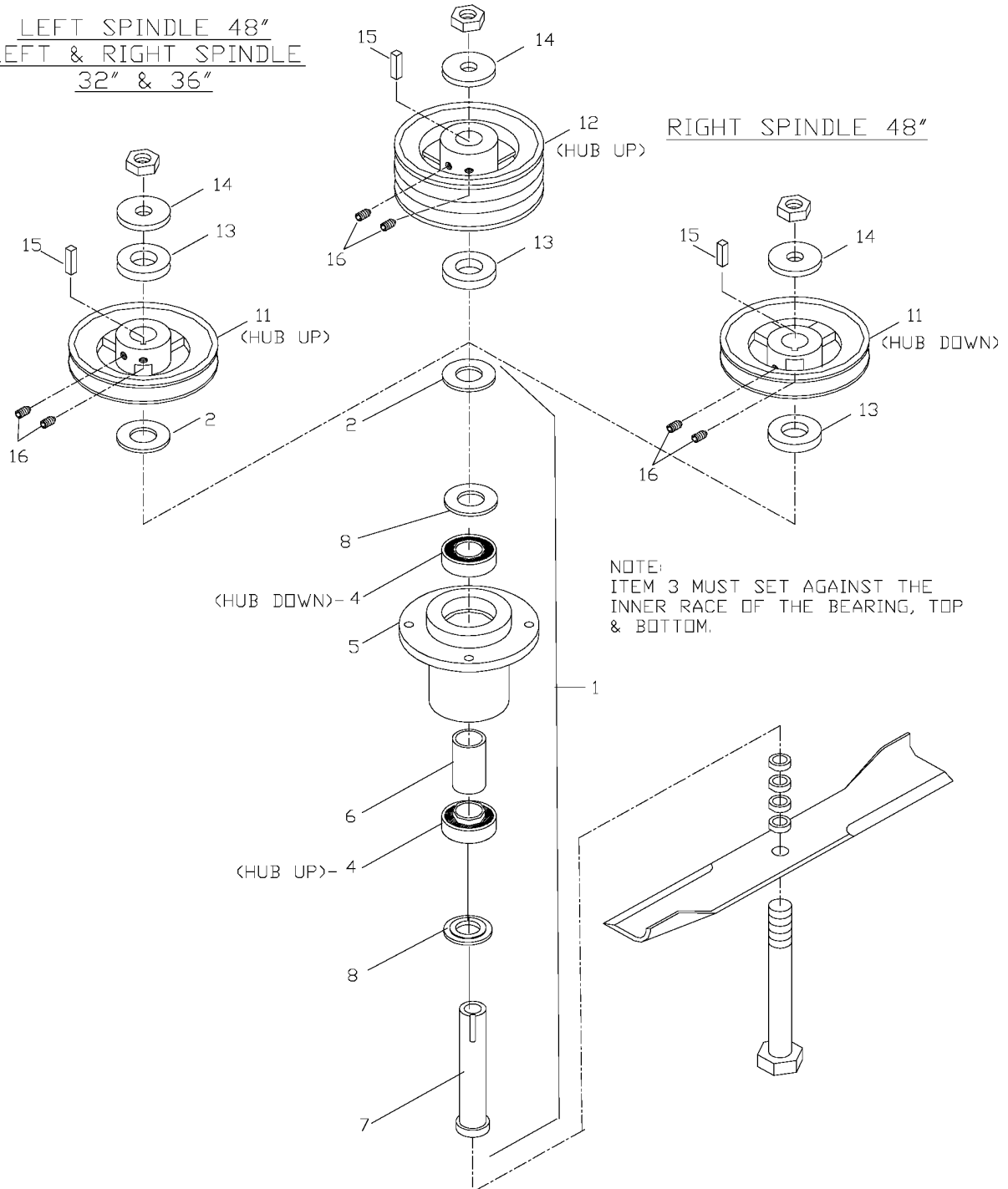
Ref	Part No	Description	Remark	QTY KIT
1	539 10 19-59	BELT		1
2	539 10 45-61	36" BELT SHIELD		1
3	539 10 47-90	DECAL		1
4	539 10 20-70	KNOB, THREE PRONG		4
5	539 10 20-56	WASHER		4
6	539 99 05-46	NUT		4
7	539 99 06-13	NUT		3
8	539 10 23-34	TAPBOLT 3/8C X 4 1/2		2
9	539 97 69-80	NUT 5/8F HEX		2
10	539 10 19-95	KEY		2
11	539 97 63-98	PULLEY W/SETSCREWS		2
12	539 10 23-32	HCS 5/8F X 8 1/2		2
13	539 10 22-43	WASHER		2
14	539 10 03-41	BLADE		2
15	539 97 64-36	SPACER		8
16	539 10 22-45	SPACER		2
17	539 10 26-75	BUSHING		2
18	539 10 24-40	SERVICE KIT		2
19	539 10 23-20	TUBE CAP		2
20	539 10 22-36	PLATE		1
23	539 99 01-84	NUT		16
24	539 99 02-09	SCREW		10
26	539 99 05-85	NUT		6
27	539 99 05-53	HCS 5/16 X 3		6
28	539 10 00-75	SNUBBER		1
29	539 97 69-56	SCREW		4
30	539 10 18-36	BUSHING, SLEEVE		1
31	539 10 19-79	ENGAGEMENT ARM		1
32	539 99 05-17	WASHER		3
33	539 99 06-29	SCREW		2
34	539 10 34-56	BLADE ROD		1
35	539 97 69-88	PIN RETAINING SCREW		1
36	539 10 19-82	BOLT		1
37	539 99 01-96	NUT		1
38	539 10 19-83	TURNBUCKLE		1
39	539 10 19-81	EYEBOLT, LH		1
40	539 10 19-78	ARM WELDMENT		1
41	539 99 05-50	WASHER		1
42	539 10 13-32	SCREW		1
43	539 10 19-80	EYEBOLT PIVOT		1
44	539 97 66-88	PULLEY		1
45	539 10 26-56	SPACER		1
46	539 99 01-18	WASHER		1
47	539 99 06-37	SCREW		1
51	539 10 45-46	DEFLECTOR CHUTE		1
52	539 10 12-31	SPINDLE		1
53	539 10 13-31	NUT		1
54	539 91 30-10	DECAL		1
55	539 10 45-63	DECAL		1
56	539 10 03-44	DECAL		1
57	539 10 50-71	DECAL		1

CUTTER HOUSING ASSEMBLY

CENTER SPINDLE 48"

LEFT SPINDLE 48"
LEFT & RIGHT SPINDLE
32" & 36"

RIGHT SPINDLE 48"



HOUSING

WH3614A, 968999105, 2001-02

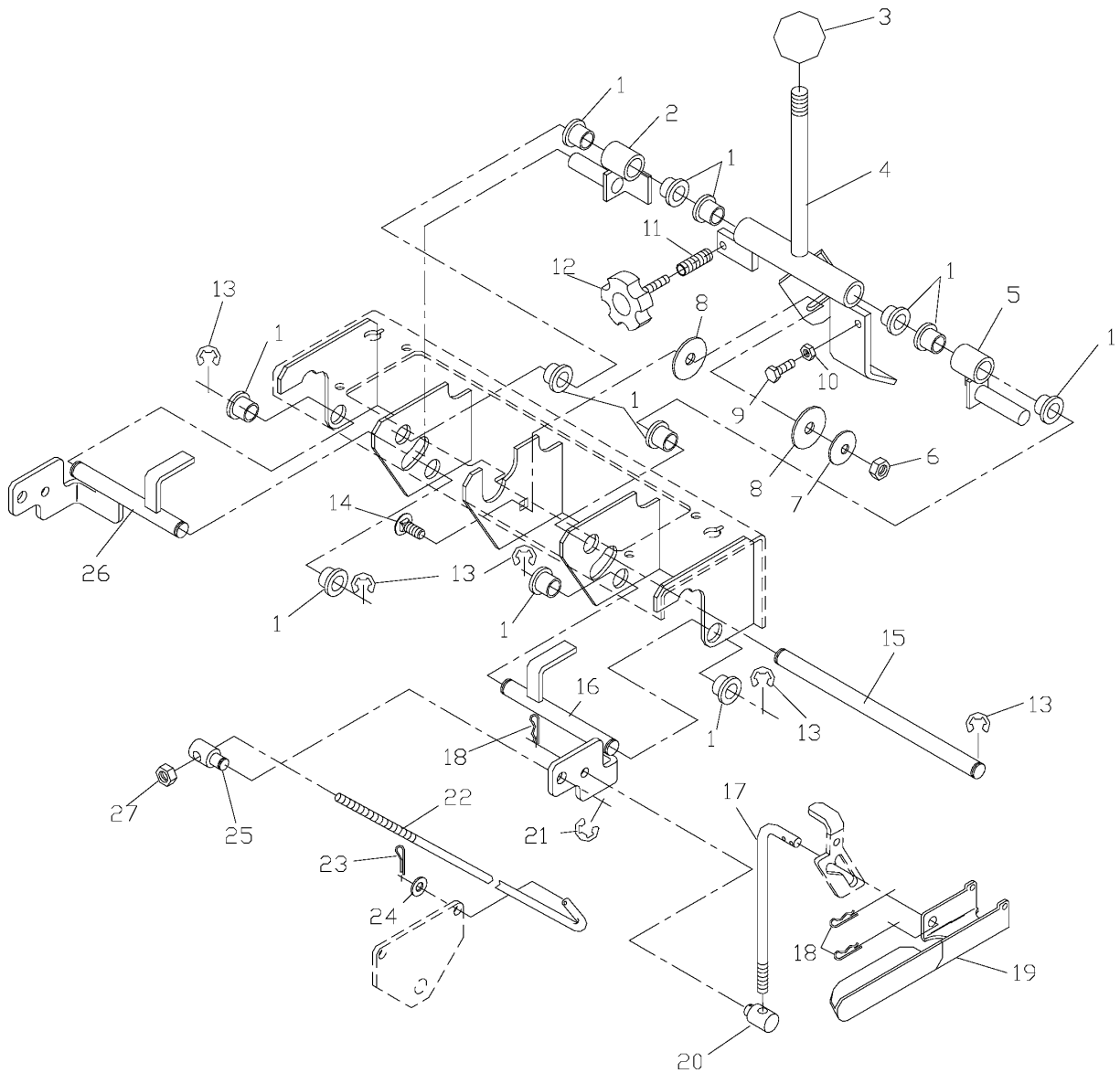
Ref	Part No	Description	Remark	QTY KIT
1	539 10 24-40	SERVICE KIT		1
2	539 10 26-75	BUSHING		3
3	539 10 22-44	BUSHING		2
4	539 10 26-77	BEARING		2
5	539 10 26-73	HOUSING		1
6	539 10 26-76	SPACER		1
7	539 10 26-74	SPINDLE		1
8	539 97 63-98	PULLEY W/SETSCREWS		1
9	539 10 18-19	PULLEY, DOUBLE W/SETS		1
10	539 10 22-45	SPACER		1
11	539 10 22-43	WASHER		1
12	539 10 19-95	KEY		1
13	539 97 69-56	SCREW		2

HANDLE & CONTROLS

WH3614A, 968999105, 2001-02

Ref	Part No	Description	Remark	QTY KIT
1	539 10 29-84	THUMB LATCH RT.		1
539102983	539 10 29-83	THUMB LATCH LT.		1
2	539 10 30-05	DECAL		1
3	539 10 29-90	CONTROL LEVER		1
539102991	539 10 29-91	CONTROL LEVER		1
4	539 10 29-87	DECAL		1
5	539 10 29-86	BLADE LINK		1
6	539 10 29-99	ACCESS PLATE		1
7	539 10 29-98	WASHER		1
8	539 10 29-92	SWIVEL		1
9	539 10 29-97	PIN, ROLL		2
10	539 10 29-79	DETENT WLDMT		2
11	539 10 02-40	BUSHING		2
12	539 10 12-24	SPRING		2
13	539 10 29-76	BLADE LEVER WLDMT		1
14	539 97 65-26	HANDLE		1
15	539 10 29-96	SPACER		4
16	539 99 10-03	BOLT		2
17	539 99 00-55	WASHER 1/4 SAE		6
18	539 91 20-63	CONE WASHER		1
19	539 91 90-98	SWITCH		4
20	539 10 26-78	PLATE		4
21	539 97 69-52	SCREW		8
22	539 10 18-01	LINKAGE, O P		2
23	539 97 78-57	LEVER O P W/GRIP		2
24	539 10 02-85	DECAL		2
25	539 97 78-84	PIN		2
26	539 97 78-86	BUSHING		4
27	539 91 47-34	NUT, PUSH		2
28	539 97 64-88	GRIP		2
29	539 97 72-50	SPRING		2
30	539 91 18-53	KEY SWITCH, COMPLETE		1
31	539 99 08-70	RING		1
32	539 99 00-73	HCS 1/4C X 3/4		8
33	539 99 00-52	WASHER		8
34	539 99 03-72	NUT		6
35	539 99 06-55	SCREW		1
36	539 99 05-46	NUT		2
37	539 91 64-59	RETAINER		1
38	539 10 14-51	THROTTLE CABLE (14 KAW.)		1
539101220	539 10 12-20	CABLE, THROTTLE (17 KAW.)		1
39	539 97 69-77	NUT		2
40	539 99 04-11	SCREW		2
41	539 10 29-89	DECAL		1
42	539 99 05-48	SCREW		2
43	539 10 13-13	HCS 1/4C X 2		2

MOTION CONTROL ASSEMBLY

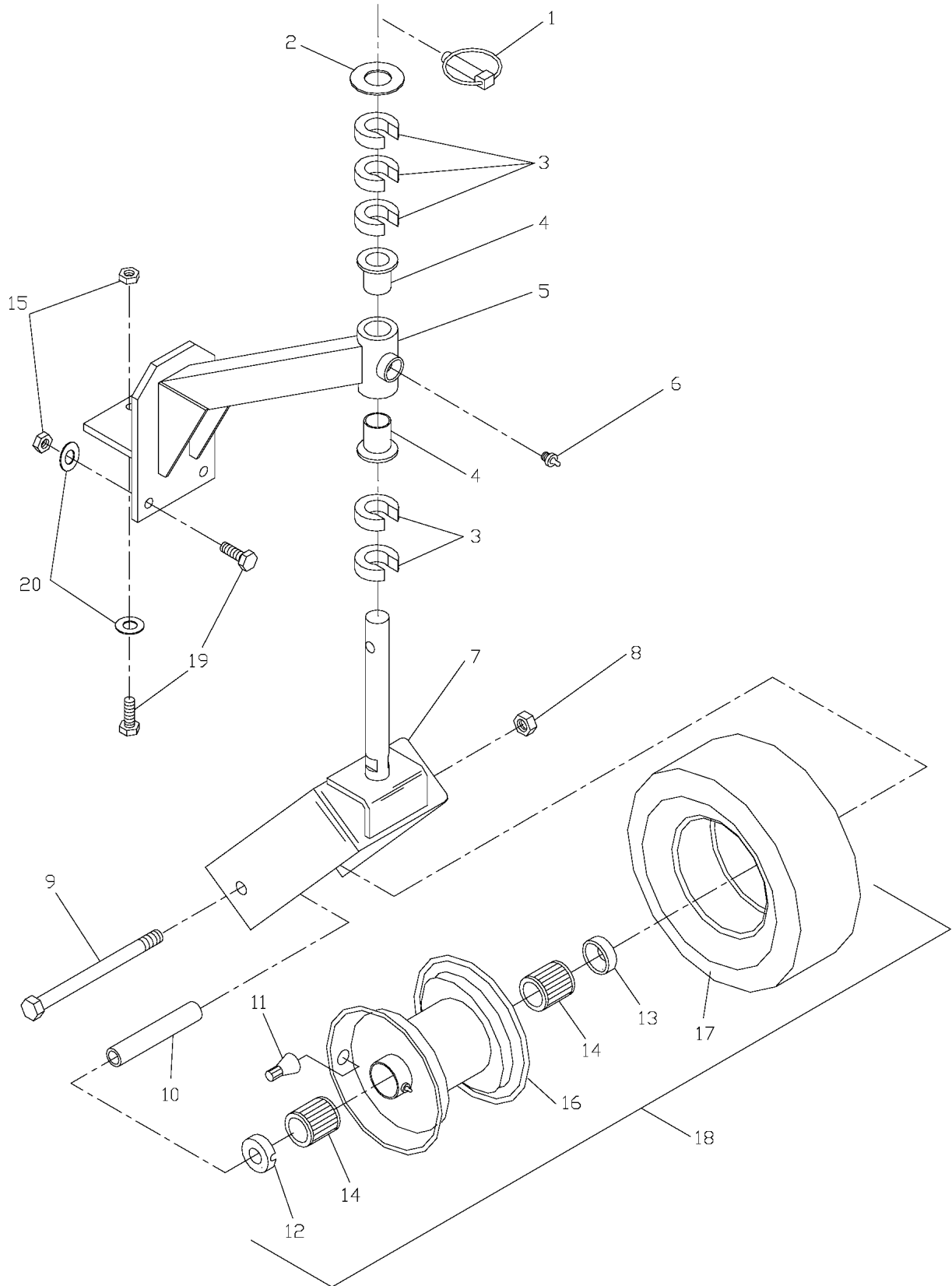


HANDLE & CONTROLS

WH3614A, 968999105, 2001-02

Ref	Part No	Description	Remark	QTY KIT
1	539 10 00-32	BUSHING		12
2	539 10 29-63	TRACK WELDMENT, LT		1
3	539 10 01-47	KNOB		1
4	539 10 29-58	TRAVEL LEVER		1
5	539 10 29-64	TRACK WELDMENT, RT		1
6	539 99 01-84	NUT		3
7	539 91 20-63	CONE WASHER		1
8	539 10 29-98	WASHER		2
9	539 99 02-09	SCREW		1
10	539 99 05-85	NUT		1
11	539 10 12-24	SPRING		1
12	539 10 30-03	ADJUSTMENT KNOB		1
13	539 10 19-49	RETAINER RING		6
14	539 99 02-08	SCREW		1
15	539 10 29-85	TRAVEL BAR		1
16	539 10 29-70	CONTROL WELDMENT, RT		1
17	539 10 30-00	CONTROL LINK		2
18	539 97 69-88	PIN RETAINING SCREW		6
19	539 10 29-91	CONTROL LEVER		1
20	539 97 64-34	SWIVEL (SHORT)		2
21	539 99 08-70	RING		2
22	539 10 16-50	PUMP LINK		2
23	539 99 00-37	PIN RETAINING SCREW		2
24	539 99 06-92	WASHER		2
25	539 10 19-40	SWIVEL		2
26	539 10 29-69	CONTROL WELDMENT, LT		1
27	539 99 07-17	NUT		2

FRONT CASTER



CASTERS

WH3614A, 968999105, 2001-02

Ref	Part No	Description	Remark	QTY KIT
1	539 10 18-74	LYNCH PIN 7/16		1
2	539 91 65-61	MACHINE BUSHING		1
3	539 10 18-73	C-SPACER		5
4	539 10 12-32	BUSHING		2
5	539 10 45-55	CASTER ARM W/BUSHING		1
6	539 97 69-97	NIPPLE		1
7	539 10 45-54	CASTER YOKE		1
8	539 10 13-31	NUT		1
9	539 10 19-07	SCREW		1
10	539 10 18-72	SPACER		1
11	539 91 22-34	VALVE		1
12	539 97 73-56	ENDCAP, NOTCHED		1
13	539 92 35-57	ENDCAP		1
14	539 97 73-53	ROLLER BEARING		2
15	539 99 05-46	NUT		3
16	539 10 46-18	RIM		1
17	539 10 19-05	TIRE, 9"		1
18	539 10 45-56	TIRE		1
19	539 99 05-63	SCREW		3
20	539 99 05-17	WASHER		3
21	539 10 45-59	WHEEL CASTER ASM KIT, FRONT		1