

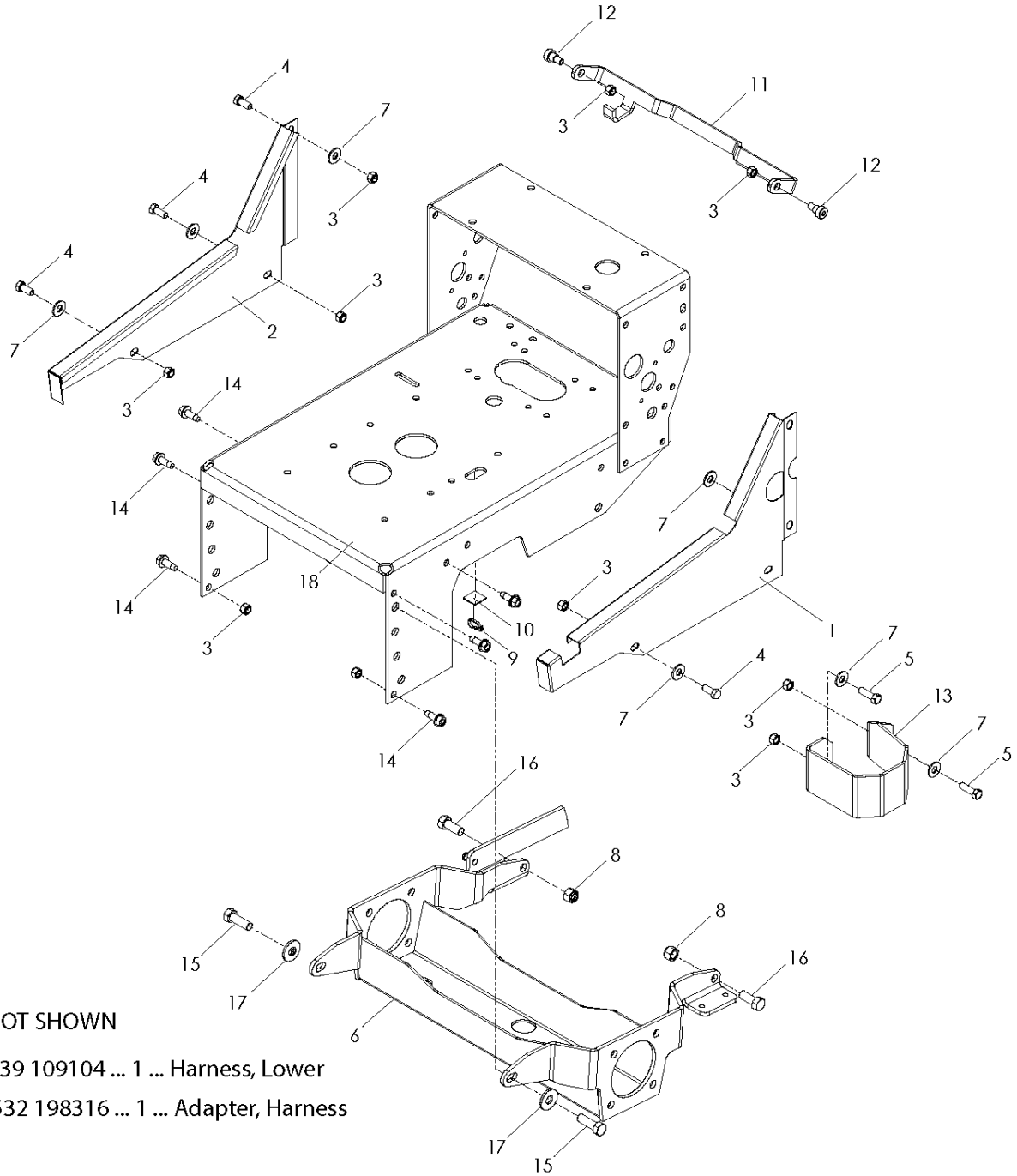


SPARE PARTS LIST

LAWN MOWERS: COMMERCIAL
WALK-BEHINDS

WH4817 966947002, 2008-08

FRAME

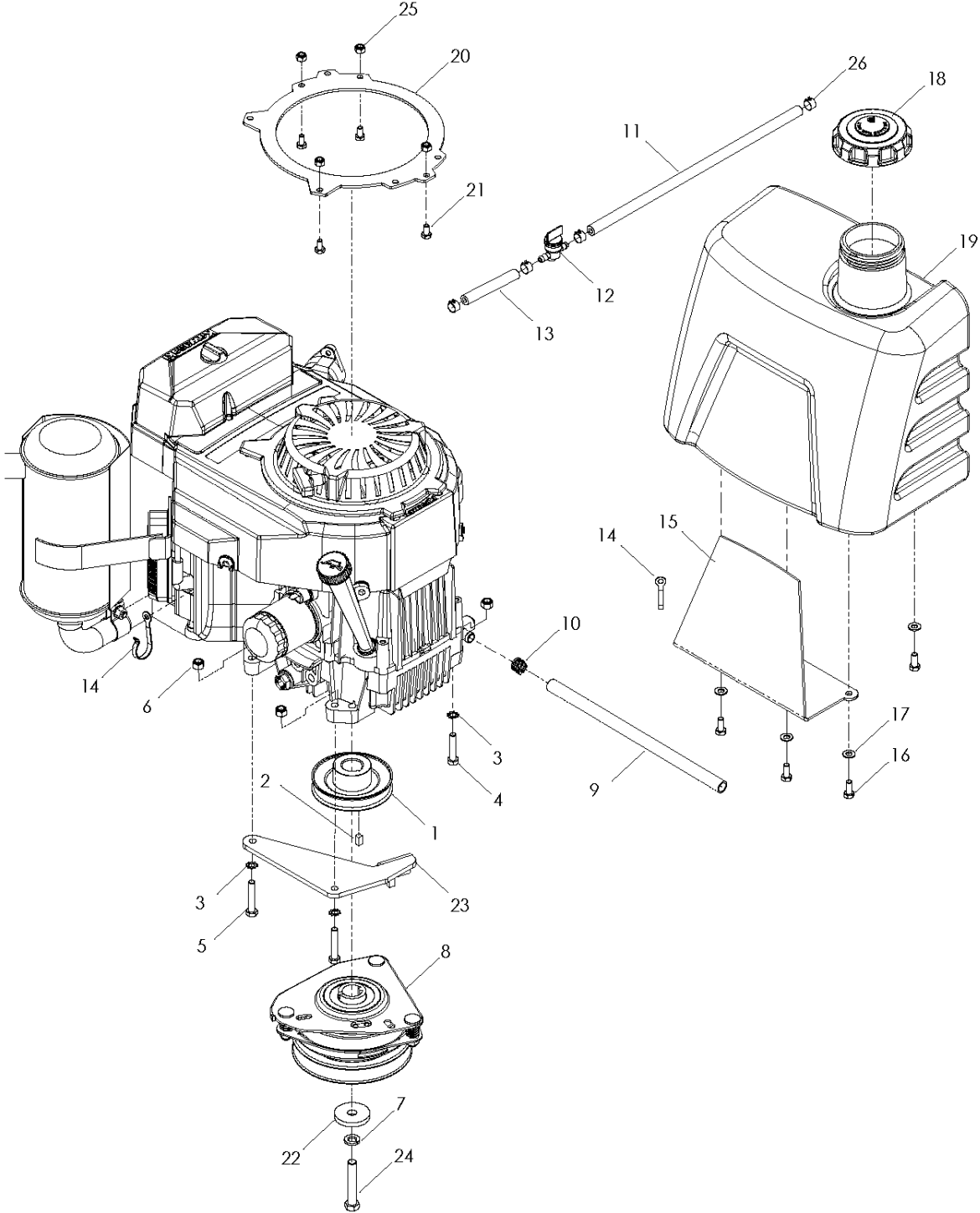


FRAME

WH4817 966947002, 2008-08

Ref	Part No	Description	Remark	QTY KIT
1	539 13 25-58	PANEL - SIDE RH PAINTED		1
2	539 13 25-60	PANEL - SIDE LH PAINTED		1
3	539 97 69-79	NUT		14
4	539 10 85-07	HCS 3/8-16 X 7/8 GR 5 ZD		11
5	539 97 69-41	SCREW		4
7	539 99 05-17	WASHER		8
8	539 10 13-31	NUT		2
9	539 97 68-56	TIE WRAP		2
10	539 11 08-63	MOUNTING BLOCK CABLE TIE		1
11	539 13 25-56	BAR THROW OUT. PAINTED		1
12	539 11 36-21	SB 3/8-16 X 3/8 SKT HD ZD		2
13	505 18 90-02	GUARD		1
14	539 10 74-76	BOLT		6
15	539 10 83-74	BOLT		2
16	539 10 83-69	HCS 1/2-13 X 1-1/4 GR 5 ZD		2
17	539 10 95-54	WASH USS FLAT 1/2		2
18	522 47 80-01	ENGINE CHASSI		1
--	539 10 91-04	LOWER HARNESS	NOT SHOWN	1
--	532 19 83-16	PIGTAIL.MATNLK.OLD.HARN	NOT SHOWN	1

ENGINE

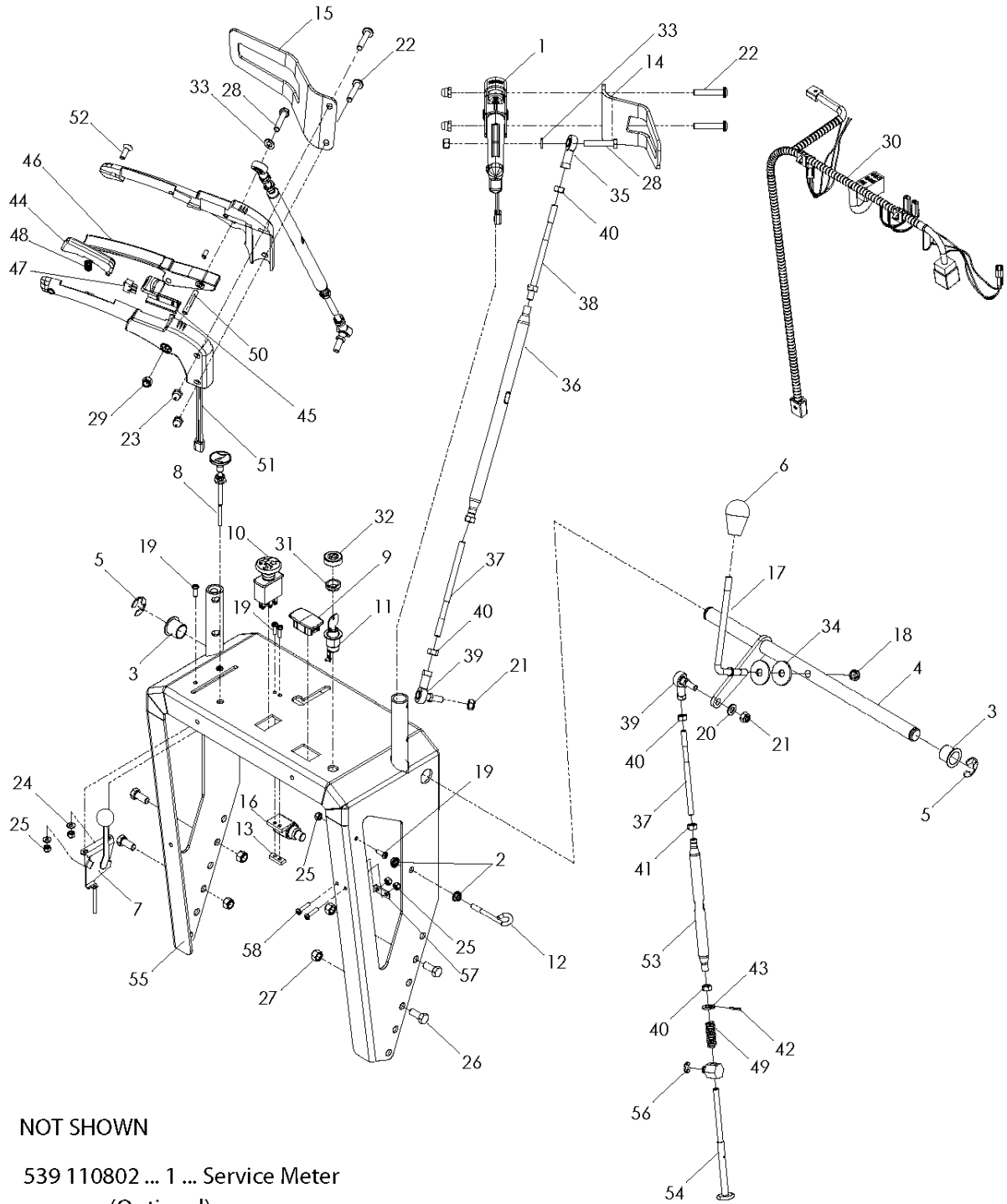


ENGINE

WH4817 966947002, 2008-08

Ref	Part No	Description	Remark	QTY KIT
1	539 13 25-25	PULLEY - ENGINE		1
2	539 10 57-18	SQUARE KEY - 1/4 X .5		1
3	539 10 95-56	WASHER 5/16 EXT STAR LK		4
4	539 97 69-35	CAPSCREW		2
5	539 99 06-69	SCREW		2
6	539 99 07-17	NUT		4
7	539 99 02-47	WASHER		1
8	532 40 00-08	CLUTCH		1
9	539 10 79-37	HOSE		1
10	539 97 69-66	CLAMP		4
11	539 10 82-12	HOSE		1
12	539 91 63-25	VALVE		1
13	505 21 51-01	HOSE		1
14	539 10 70-98	CLAMP		2
15	539 13 26-33	PLATE ID. ORANGE		1
16	539 97 69-34	SCREW		4
17	539 99 01-88	WASHER		4
18	539 10 61-88	TANK CAP - ANTI		1
19	539 13 25-49	FUEL TANK		1
20	539 13 25-48	ADAPTER - RECOIL		1
21	539 99 00-71	HCS 1/4-20 X 1/2 GR 5 ZD		4
22	539 10 65-04	WASHER		1
23	539 13 25-27	CLUTCH STOP		1
24	539 99 11-20	SCREW		1
25	539 97 69-78	NUT		4
26	539 91 22-22	CLAMP		3

HANDLE AND CONTROLS

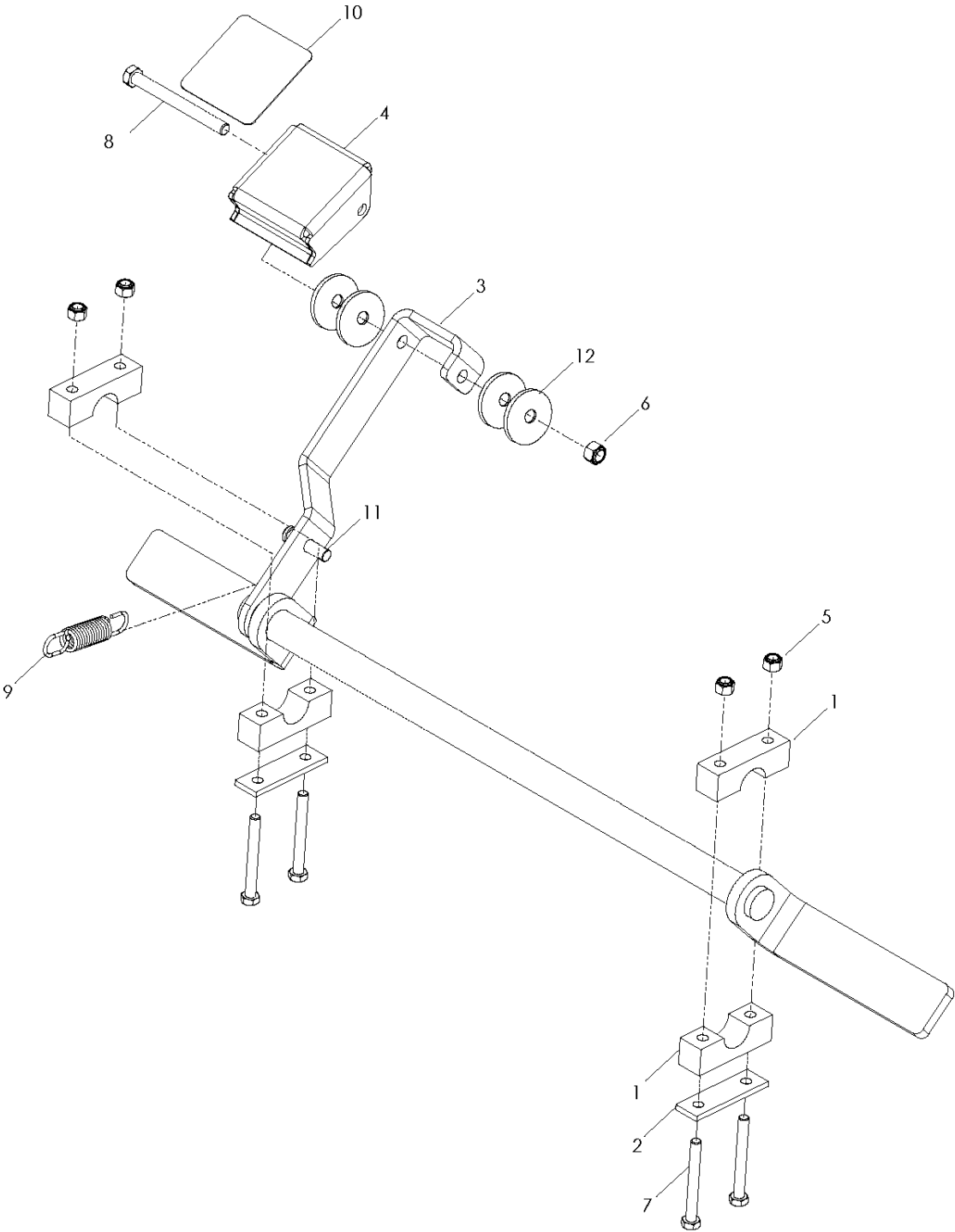


HANDLE & CONTROLS

WH4817 966947002, 2008-08

Ref	Part No	Description	Remark	QTY KIT
1	539 13 26-23	GRIP		2
2	539 99 05-85	NUT		2
3	539 13 25-20	BEARING		2
4	539 13 26-28	SPEED CONTROL		1
5	539 13 26-29	E-RING. 20MM		2
6	539 13 26-24	KNOB - SHIFT		1
7	539 13 26-88	THROTTLE CONTROL		1
8	539 13 02-08	CONTROL-CHOKE, BLUE, 51"		1
9	532 40 49-51	PLUG		1
10	539 10 17-68	SWITCH		1
11	539 91 18-53	KEY SWITCH, COMPLETE		1
12	539 13 26-76	GUIDE		1
13	539 10 26-78	PLATE		1
14	522 42 18-02	GUARD		1
15	522 42 17-02	GUARD		1
16	539 02 00-17	SWITCH		1
17	539 13 26-26	ROD - SHIFT		1
18	539 20 02-82	NUT		1
19	539 99 04-11	SCREW		5
20	539 99 01-88	WASHER		1
21	539 10 31-53	NUT		3
22	505 20 33-01	SCREW		4
23	505 20 34-01	NUT		4
24	539 10 54-08	WASHER #10		2
25	539 97 69-77	NUT		5
26	539 10 85-07	HCS 3/8-16 X 7/8 GR 5 ZD		4
27	539 97 69-79	NUT		4
28	539 99 06-69	SCREW		2
29	539 99 07-17	NUT		2
30	510 36 69-01	HARNESS		1
31	539 10 31-77	NUT		1
32	539 10 31-78	NUT CAP		1
33	539 99 01-87	WASHER		2
34	539 91 20-63	CONE WASHER		2
35	539 13 26-02	ROD END 8 MM. RH		1
36	539 13 26-01	TUBE - ADJUSTING		1
39	539 13 26-03	ROD END 8 MM. W/STUD		1
40	539 13 26-07	NUT-8MM X 1.25 HEX ZD		3
42	539 13 26-14	ROLL PIN - 3 MM		1
44	539 13 26-74	ACTUATOR		2
45	539 13 26-17	LOCK		2
46	539 13 26-18	LEVER		2
47	539 13 26-20	SWITCH		2
48	539 13 25-99	SPRING		2
49	539 10 12-24	SPRING		1
50	539 13 26-35	PIN - GROOVE 1/4 X 1-1/2		2
51	539 13 26-75	HARNESS		2
52	539 13 26-77	SCREW - OVAL HEAD 6MM		2
53	539 13 26-09	TUBE - ADJUSTING		1
55	522 47 81-01	HANDLE		1
56	539 13 26-13	E-RING. 10MM		1
57	510 41 76-02	PLATE		1
58	539 10 26-17	SCREW		2
--	539 11 08-02	SPRING	NOT SHOWN	1
	522 95 05-01	GRIP	NOT SHOWN	1

PARKING BRAKE

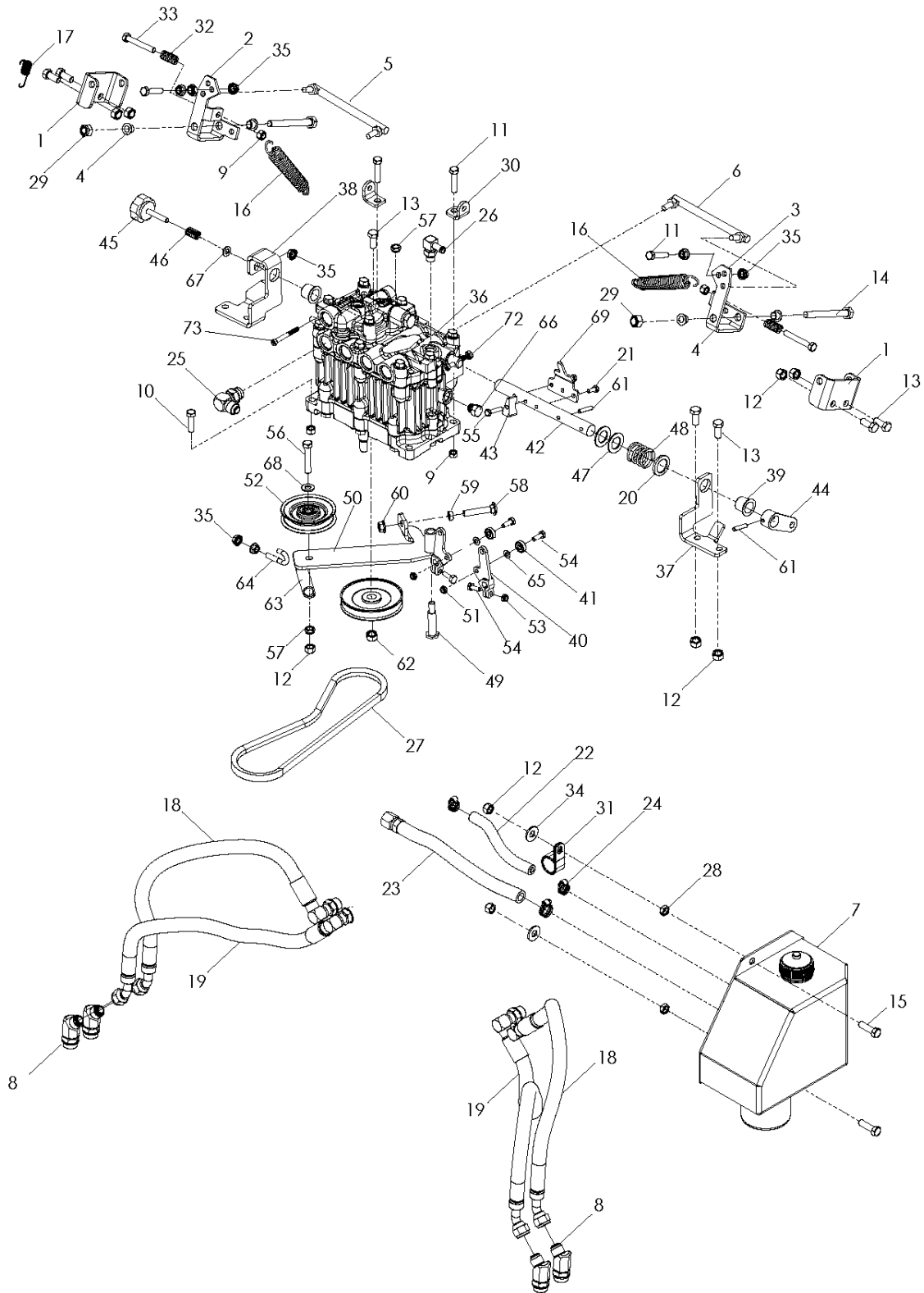


PARKING BRAKE

WH4817 966947002, 2008-08

Ref	Part No	Description	Remark	QTY KIT
1	539 10 48-08	SUPPORT		4
2	539 10 48-07	PLATE		2
4	510 28 34-02	PEDAL		1
5	539 99 07-17	NUT		4
6	539 97 69-79	NUT		1
7	539 10 17-21	SCREW		4
8	539 99 11-26	HCS 3/8-16 X 3-3/4 GR5 ZD		1
9	510 13 63-01	SPRING		1
10	539 10 51-87	PLATE		1
11	539 10 24-55	PIN RETAINING SCREW		1
12	539 10 29-98	WASHER		4

HYDRO PUMP-MOTOR



HYDRAULIC PUMP - MOTOR

WH4817 966947002, 2008-08

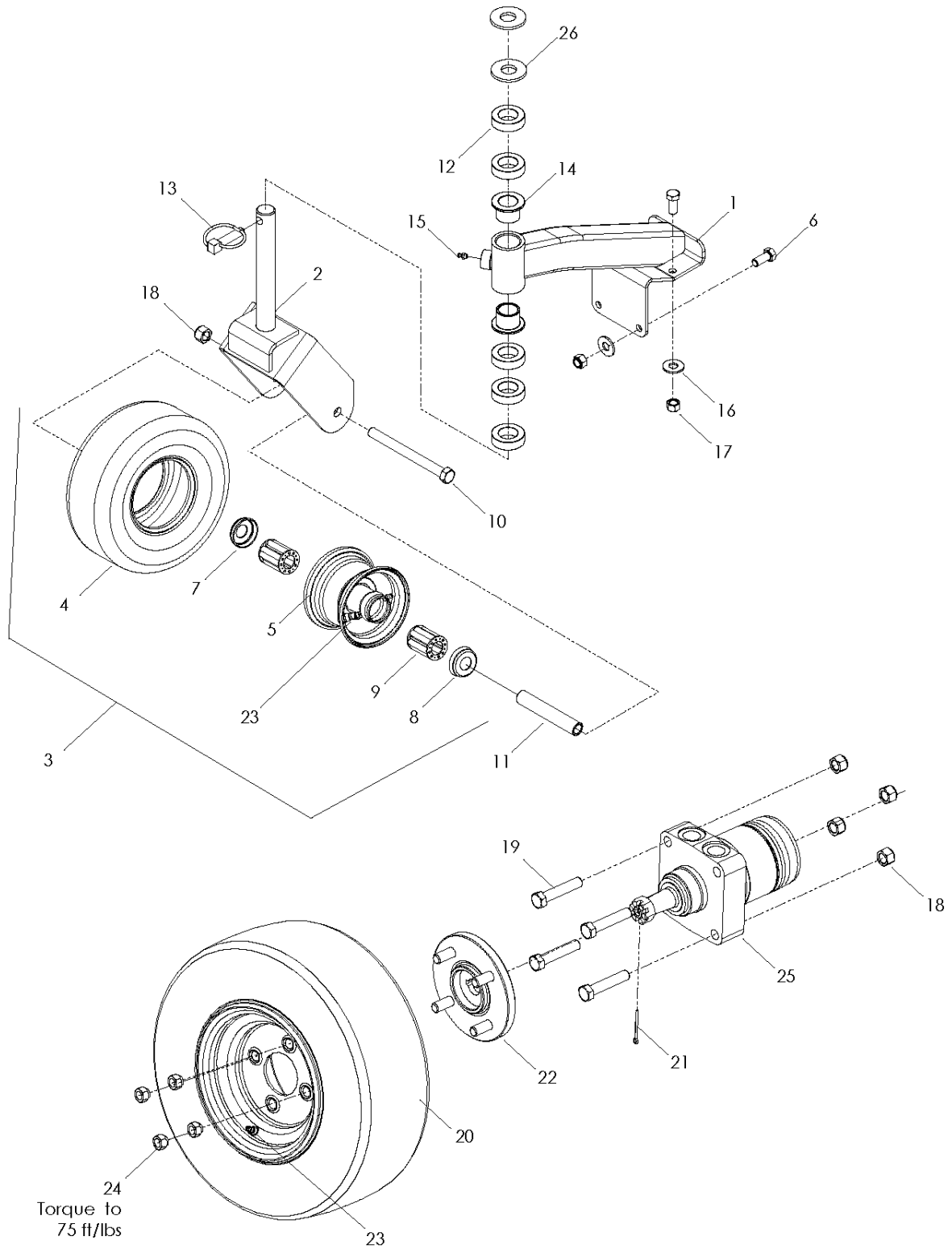
Ref	Part No	Description	Remark	QTY KIT
1	539 13 25-35	BRACKET		2
2	539 13 25-37	BELLCRANK		1
3	539 13 25-39	BELLCRANK		1
4	539 13 25-33	BEARING		4
5	539 13 25-50	LINK - CONTROL. RH		1
6	539 13 25-51	LINK - CONTROL. LH		1
7	505 24 73-01	OIL		1
8	539 13 25-61	45 DEG STRAIGHT THD ELBOW 8-10		4
9	539 99 07-17	NUT		6
10	539 99 06-27	SCREW		2
11	539 97 69-35	CAPSCREW		4
12	539 97 69-79	NUT		8
13	539 10 85-07	HCS 3/8-16 X 7/8 GR 5 ZD		7
14	510 12 99-01	HCS		2
15	539 97 69-41	SCREW		4
16	539 91 61-59	SPRINT		2
17	510 20 61-01	SPRING		1
18	505 20 32-01	HOSE		2
19	505 20 31-01	HOSE		2
20	510 36 28-01	WASHER		1
21	539 10 77-05	HCS M6-1.0 X 16MM GR 8.8 ZN		2
22	505 28 02-01	HOSE		1
23	505 28 01-01	HOSE		1
24	539 97 69-66	CLAMP		3
25	539 10 12-42	ELBOW		1
26	505 28 04-01	FITTING		1
27	539 10 67-25	V-BELT		1
28	539 10 93-32	NUT 3/8-16 HEX JAM ZD		2
29	510 13 00-01	NUT		2
30	510 11 10-02	BRACKET		2
31	539 10 78-91	CLIP		1
32	539 10 12-24	SPRING		2
33	539 97 69-38	CAPSCREW 5/16 X 2-1/4 HED HEAD		2
34	539 99 05-17	WASHER		2
35	539 99 05-85	NUT		7
36	521 97 60-01	PUMP		1
37	539 13 25-11	SUPT - CAM LH		1
38	539 13 25-13	SUPT - CAM. RH PAINTED		1
39	539 13 25-20	BEARING		2
40	539 13 25-16	ARM - HYDRO		2
41	539 13 25-23	BEARING		2
42	539 13 25-19	SHAFT - CAM		1
43	539 13 25-18	CAM		1
44	539 13 25-17	ARM - SPEED CONTROL		1
45	539 10 30-03	ADJUSTMENT KNOB		1
46	539 13 26-87	SPRING - COMPRESSION		1
47	539 13 25-21	WASHER - 20MM		2
48	539 13 25-24	SPRING - COMPRESSION		1
49	539 13 17-27	PULLEY. PUMP		1
50	539 13 25-32	IDLER ARM		1
51	539 11 02-22	BOLT		1
52	539 11 36-83	V-IDLER		1
53	539 10 81-20	NUT		4
54	539 99 05-80	SCREW		4
55	539 10 63-07	BOLT		1
56	539 99 05-88	SCREW		1
57	539 20 02-82	NUT		2
58	539 10 01-45	RHSNB 3/8C X 2		1
59	539 10 93-32	NUT 3/8-16 HEX JAM ZD		1
60	539 99 06-13	NUT		1
61	505 22 40-01	PEN		2
62	539 13 15-28	NUT. M10-1.5 L/H HEX		1
64	539 11 28-96	J-BOLT		1
65	539 10 35-47	WASHER		2

HYDRAULIC PUMP - MOTOR

WH4817 966947002, 2008-08

Ref	Part No	Description	Remark	QTY KIT
66	539 13 18-95	PLUG. 6408-6		1
67	539 99 01-88	WASHER		1
68	539 99 01-22	WASHER		1
70	539 10 31-53	NUT		4
71	539 99 01-87	WASHER		2
72	539 97 69-77	NUT		2
73	521 97 61-01	SCREW		2
	539 10 26-06	FILTER		1

WHEELS AND TIRES



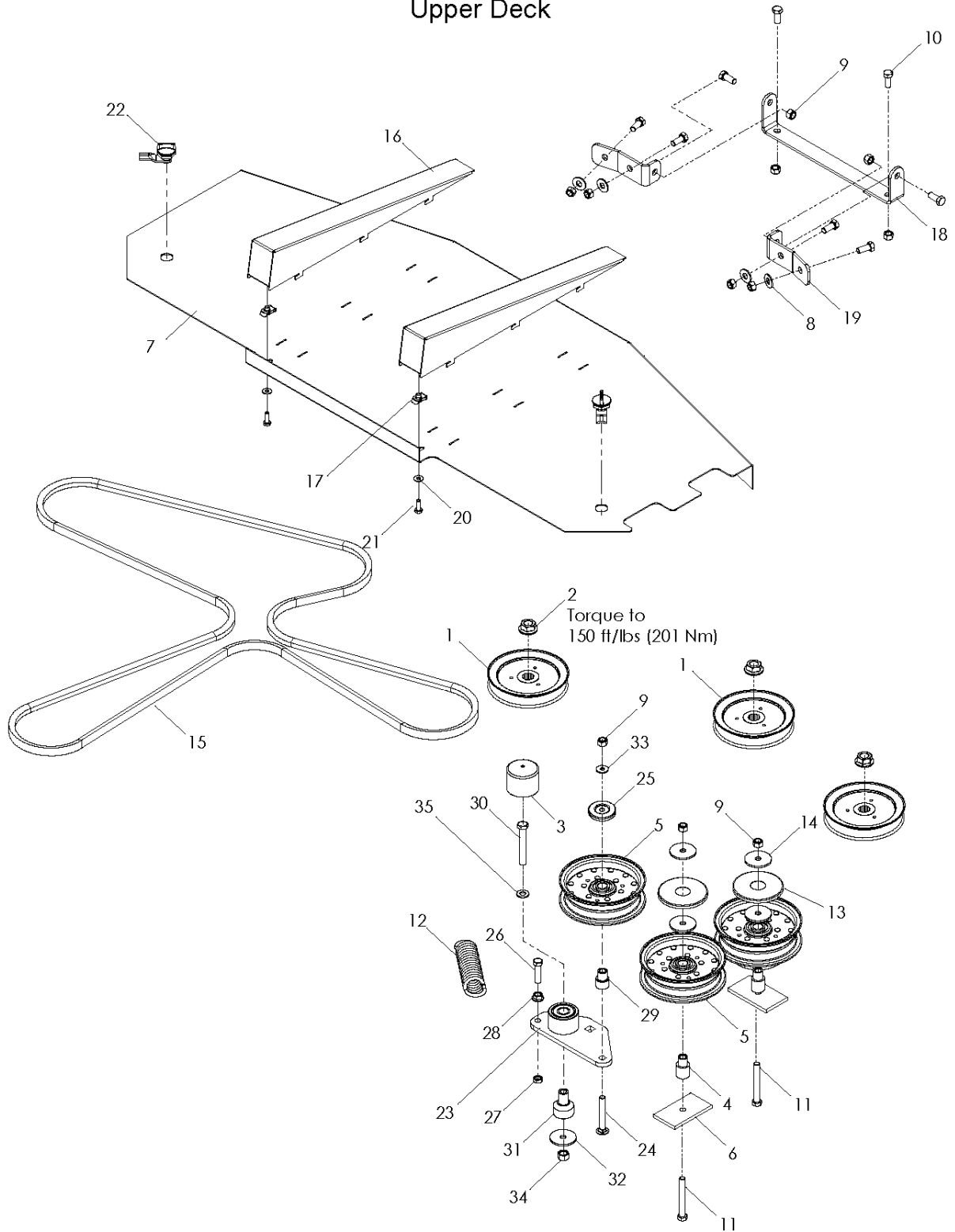
WHEELS & TIRES

WH4817 966947002, 2008-08

Ref	Part No	Description	Remark	QTY KIT
3	539 10 45-56	TIRE		1
4	539 10 19-05	TIRE, 9"		1
5	539 10 46-18	RIM		1
6	539 10 85-07	HCS 3/8-16 X 7/8 GR 5 ZD		8
7	539 92 35-57	ENDCAP		1
8	539 97 73-56	ENDCAP, NOTCHED		1
9	539 97 73-53	ROLLER BEARING		2
10	539 10 19-07	SCREW		1
11	539 10 18-72	SPACER		1
12	539 13 26-78	SPACER		6
13	539 10 18-74	LYNCH PIN 7/16		1
14	539 10 66-56	BEARING		2
15	539 97 69-98	NIPPLE		1
16	539 99 05-17	WASHER		8
17	539 97 69-79	NUT		7
18	539 10 13-31	NUT		10
19	539 10 83-46	BOLT		8
20	522 41 30-01	WHEEL ASSY		2
21	539 99 02-97	SPLIT PIN		2
22	539 13 26-89	HUB. WHEEL		2
23	539 91 22-34	VALVE		4
24	539 10 11-73	NUT		8
25	539 10 35-27	WHEEL MOTOR	LEFT	1
--	521 91 16-01	MOTOR	"RIGHT, REVERSED"	1
26	521 99 45-01	SPACER		2

48" MOWER DECK

Upper Deck



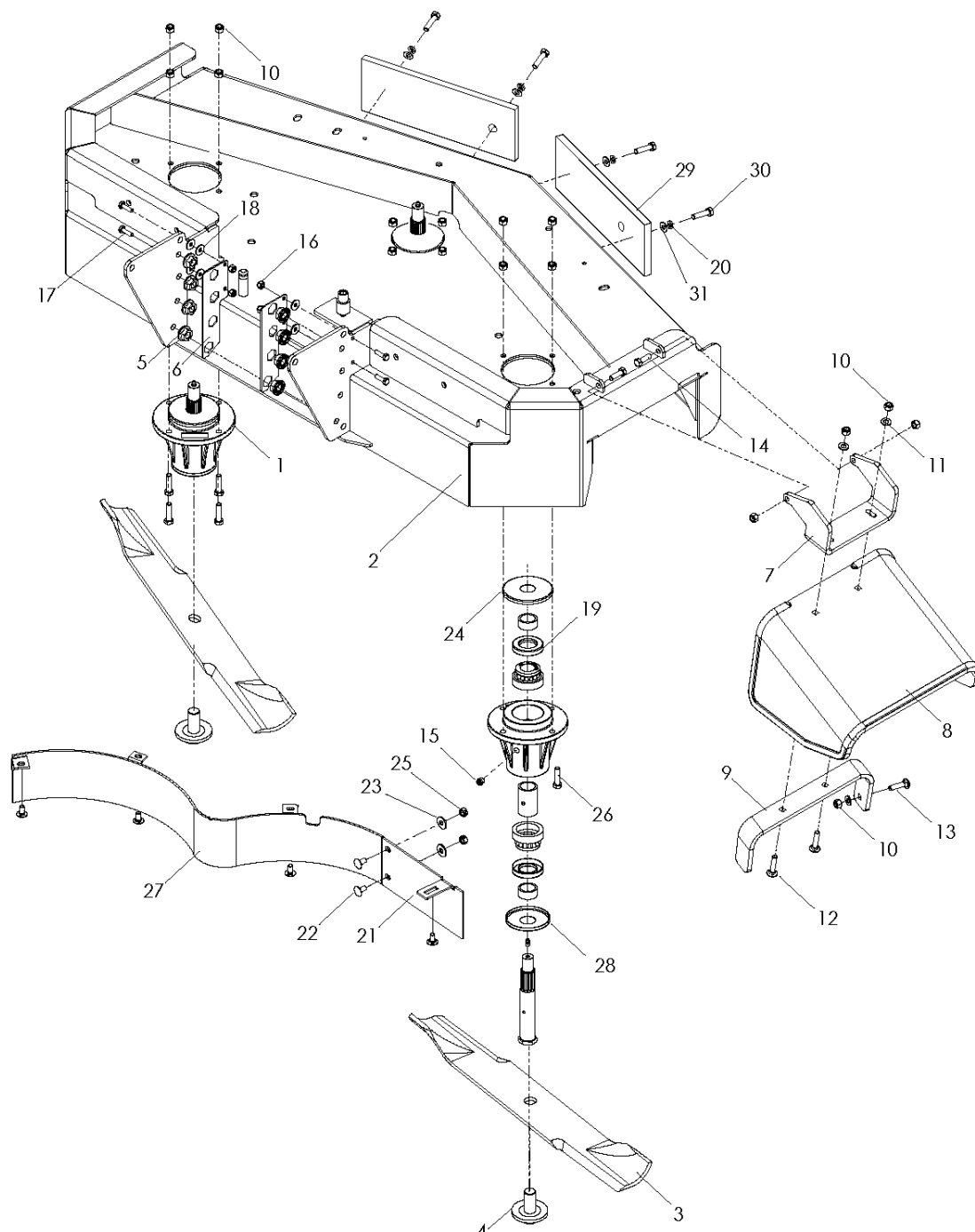
48INCH CUTTING DECK-- UPPER

WH4817 966947002, 2008-08

Ref	Part No	Description	Remark	QTY KIT
1	522 02 37-01	PULLEY		3
2	539 13 06-53	NUT - FLANGE 3/4-16		3
3	539 11 48-23	CAP		1
4	539 10 32-95	BUSHING		1
5	539 10 32-57	PULLEY		1
6	539 10 33-03	SPACER		2
7	505 29 02-02	COVER		1
8	539 99 05-17	WASHER		4
9	539 97 69-79	NUT		18
10	539 10 85-07	HCS 3/8-16 X 7/8 GR 5 ZD		16
11	539 10 13-41	SCREW		2
12	539 11 06-55	SPRING		1
13	539 10 84-50	HUB CAP		2
14	539 11 18-97	WASHER, 3/8, SPEC		4
15	539 10 92-44	BELT		1
16	505 29 04-02	WEDGE		2
17	539 11 08-13	RETAINER		2
18	539 13 25-81	HINGE		2
19	539 13 25-79	BASE HINGE - PAINTED		1
20	539 99 00-55	WASHER 1/4 SAE		2
21	539 99 05-80	SCREW		2
22	510 12 67-01	LATCH		2
23	539 13 03-91	ARM, IDLER - W/BEARINGS		1
24	539 13 02-35	RHSNB 3/8-16 X 2.75 GR5 ZD		1
25	510 25 45-01	SHIELD		1
26	539 10 70-42	BOLT		1
27	539 10 93-32	NUT 3/8-16 HEX JAM ZD		1
28	539 99 06-13	NUT		1
29	539 13 02-42	BUSHING		1
30	539 10 34-33	SCREW		1
31	510 20 63-01	PIVOT		1
32	539 10 22-43	WASHER		1
33	522 02 34-01	WASHER		1
34	539 10 13-31	NUT		1
35	539 11 55-28	1/2` CONTACT BELLSPR		1

48" MOWER DECK

Lower Deck



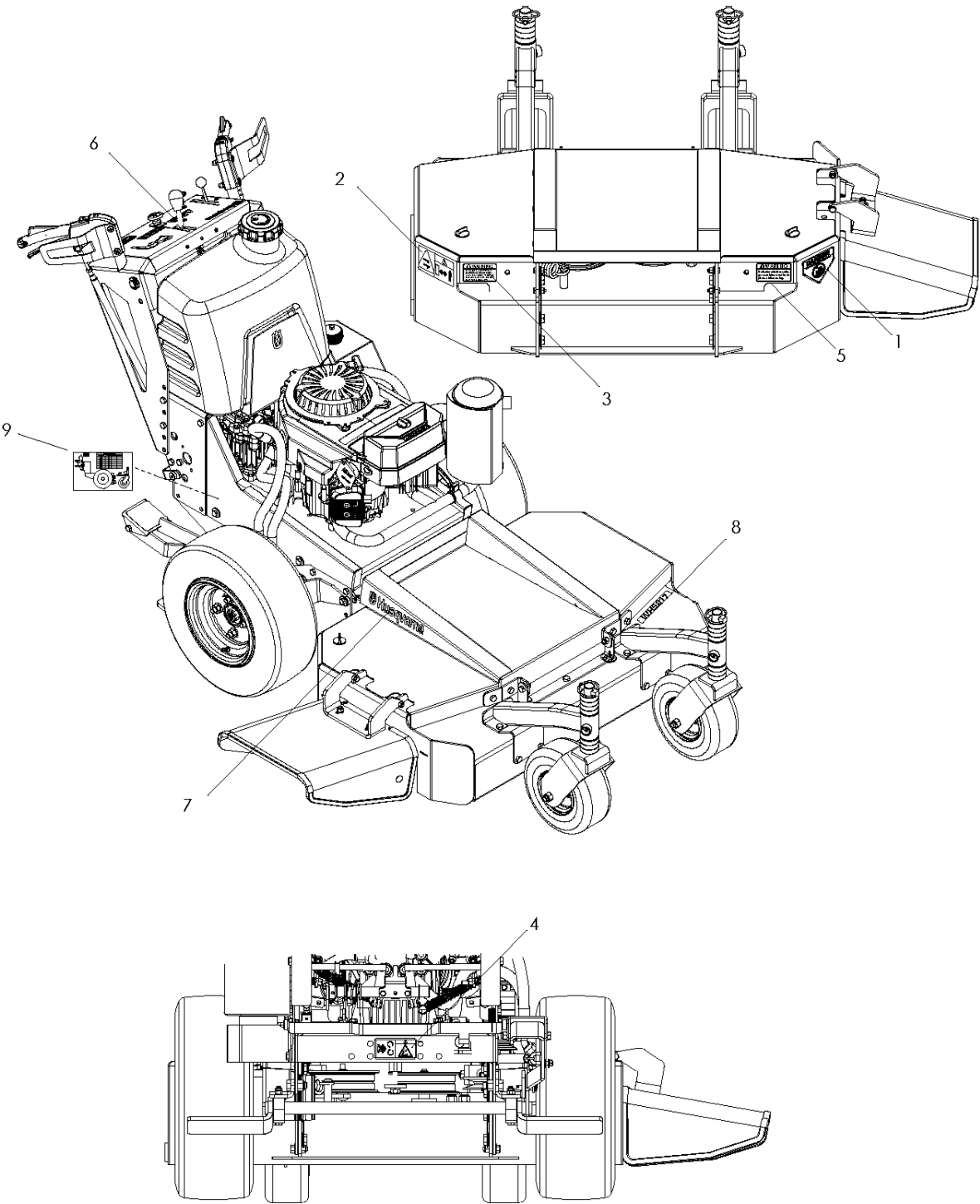
Torque to
90 ft/lbs (122 Nm)

48INCH CUTTING DECK-- LOWER

WH4817 966947002, 2008-08

Ref	Part No	Description	Remark	QTY KIT
1	539 13 13-85	HOUSING ASM. 72		3
2	522 47 83-01	CUTTER		1
3	539 10 03-40	BLADE		3
4	539 11 90-07	SCREW		3
5	506 11 35-01	NUT FLANGE		7
6	539 13 25-92	PLATE NUT - PAINTED		2
7	539 13 25-83	HINGE		1
8	539 13 09-03	CHUTE. RUBBER DISCHARGE WB		1
9	539 13 09-22	BRKT. REINF-CHUTE WB		1
10	539 99 07-17	NUT		17
11	539 99 01-88	WASHER		3
12	539 10 29-33	RHSNB 5/16-18 X 1-1/2 GR 5 ZD		2
13	539 10 04-72	SCREW		1
14	539 99 02-09	SCREW		2
15	539 10 14-74	NIPPLE		3
16	539 97 69-78	NUT		4
17	539 99 06-43	HCS 1/4-20X7/8 GR5		4
18	539 99 05-98	WASHER		8
19	539 10 87-54	SEALING RING		6
20	539 99 02-54	WASHER		4
21	539 10 54-44	DISC		1
22	539 99 07-99	BOLT		6
23	539 99 06-92	WASHER		2
24	539 10 84-50	HUB CAP		3
25	539 99 01-84	NUT		6
26	539 99 06-27	SCREW		8
27	510 28 32-02	BAFFLE		1
28	539 10 84-49	HUB CAP		3
29	522 00 05-02	WEIGHT		2
30	539 10 83-74	BOLT		4
31	539 99 02-50	WASHER		4

DECALS



DECALS

WH4817 966947002, 2008-08

Ref	Part No	Description	Remark	QTY KIT
1	539 91 30-10	DECAL		1
2	539 10 57-46	DECAL		1
3	539 10 18-81	DECAL		1
4	539 10 57-44	DECAL		1
5	539 11 32-24	DECAL		1
6	520 28 26-01	DECAL		1
7	532 42 20-12	DECAL		2
8	532 42 20-11	DECAL		1
9	521 93 37-01	DECAL		1
10	520 28 23-01	DECAL	NOT SHOWN	1