

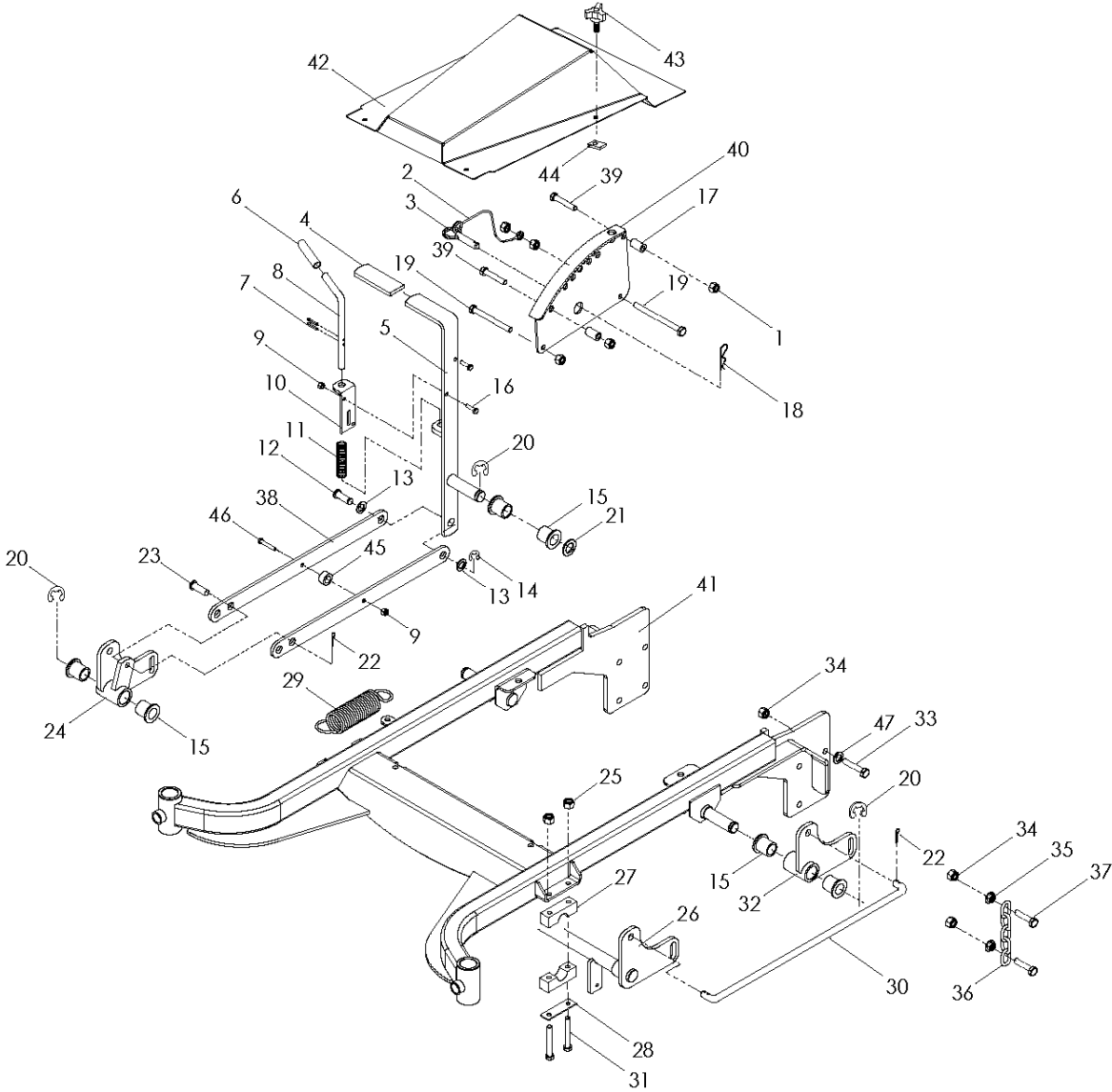


SPARE PARTS LIST

LAWN MOWERS: COMMERCIAL
WALK-BEHINDS

WH5221EFQ 968999599, 2008-08

FRAME



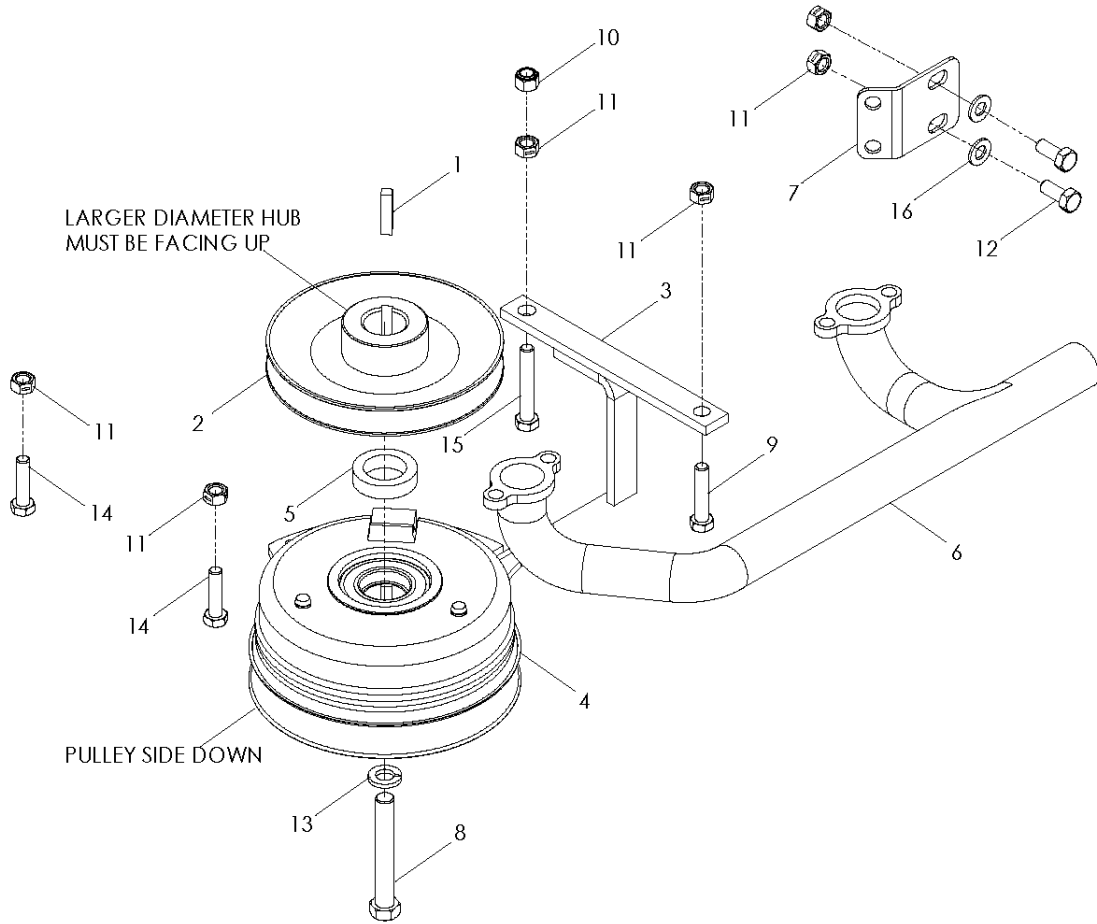
FRAME

WH5221EFQ 968999599, 2008-08

Ref	Part No	Description	Remark	QTY KIT
1	539 99 05-46	NUT		5
2	539 10 25-63	RETAINER		1
3	539 10 25-26	PIN RETAINING SCREW		1
4	539 10 25-15	GRIP		1
5	539 10 56-04	LIFT LEVER		1
6	539 10 10-50	GRIP		1
7	539 10 65-32	PIN RETAINING SCREW		2
8	539 10 45-23	LEVER		1
9	539 99 07-61	NUT		3
10	539 10 35-34	BRACKET		1
11	539 10 10-58	SPRING		1
12	539 10 50-60	PIN RETAINING SCREW		1
13	539 99 10-43	BUSHING		6
14	539 10 50-69	RETAINER RING		1
15	539 10 12-32	BUSHING		6
16	539 99 05-80	SCREW		2
17	539 10 45-30	SPACER		2
18	539 97 69-89	SPLIT PIN		1
19	539 99 05-91	HCS 3/8C X 4 1/2		2
20	539 10 18-02	RETAINER RING		3
21	539 92 37-87	BUSHING		1
22	539 99 06-54	SPLIT PIN		4
23	539 97 77-03	PIN RETAINING SCREW		1
24	539 10 70-32	LEVER,RIGHT		1
25	539 99 01-84	NUT		4
26	539 10 70-30	FRONT LIFT ARM		1
27	539 10 48-08	SUPPORT		4
28	539 10 48-07	PLATE		2
29	539 10 26-42	SPRING		1
30	539 10 83-58	DECK ROD		2
31	539 99 10-46	SCREW		4
32	539 10 70-31	LEVER,LEFT		1
33	539 10 01-43	SCREW		8
34	539 99 08-39	NUT		16
35	539 10 25-82	NUT		8
36	539 10 26-41	CHAIN		4
37	539 10 11-75	SCREW		8
38	539 10 66-22	FLAT LINKAGE		2
39	539 99 05-88	SCREW		3
40	539 10 55-82	HEIGHT ADJ PLATE		1
41	539 10 65-95	FT FRAME		1
42	539 10 60-64	HOOD		1
43	539 10 44-11	KNOB		4
44	539 10 47-63	CLIP		4
45	539 92 35-15	SPACER		1
46	539 10 02-66	BOLT		1
47	539 99 05-17	WASHER		8

ENGINE

21 HP

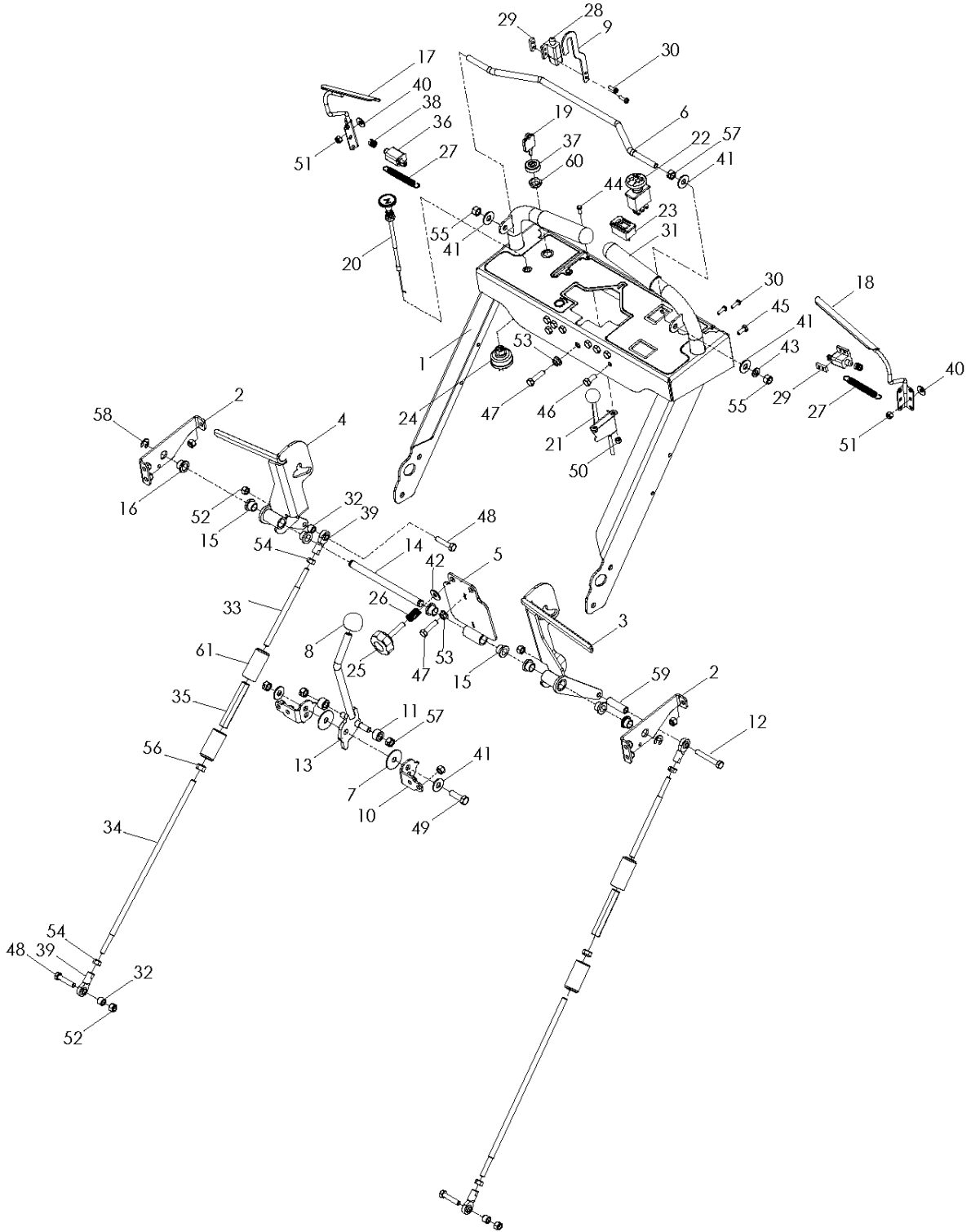


ENGINE

WH5221EFQ 968999599, 2008-08

Ref	Part No	Description	Remark	QTY KIT
1	539 10 19-95	KEY		1
2	539 10 56-10	PULLEY		1
3	539 10 68-19	BRACKET		1
4	539 10 92-45	CLUTCH		1
5	539 10 97-03	SPACER		1
6	539 11 03-48	MANIFOLD-EXHAUST, 21HP KAW		1
7	539 11 03-72	BRACKET-MUFFLER, BLACK		1
8	539 92 33-88	HEX SCREW 7/16-20 X 3		1
9	539 97 69-35	CAPSCREW		1
10	539 99 07-17	NUT		1
11	539 99 01-84	NUT		6
12	539 99 02-06	SCREW		2
13	539 99 02-47	WASHER		1
14	539 99 06-27	SCREW		2
15	539 97 69-37	CAPSCREW		1
16	539 99 01-88	WASHER		2
--	539 11 06-62	LOWER HARNESS	NOT SHOWN	1

HANDLE AND CONTROLS

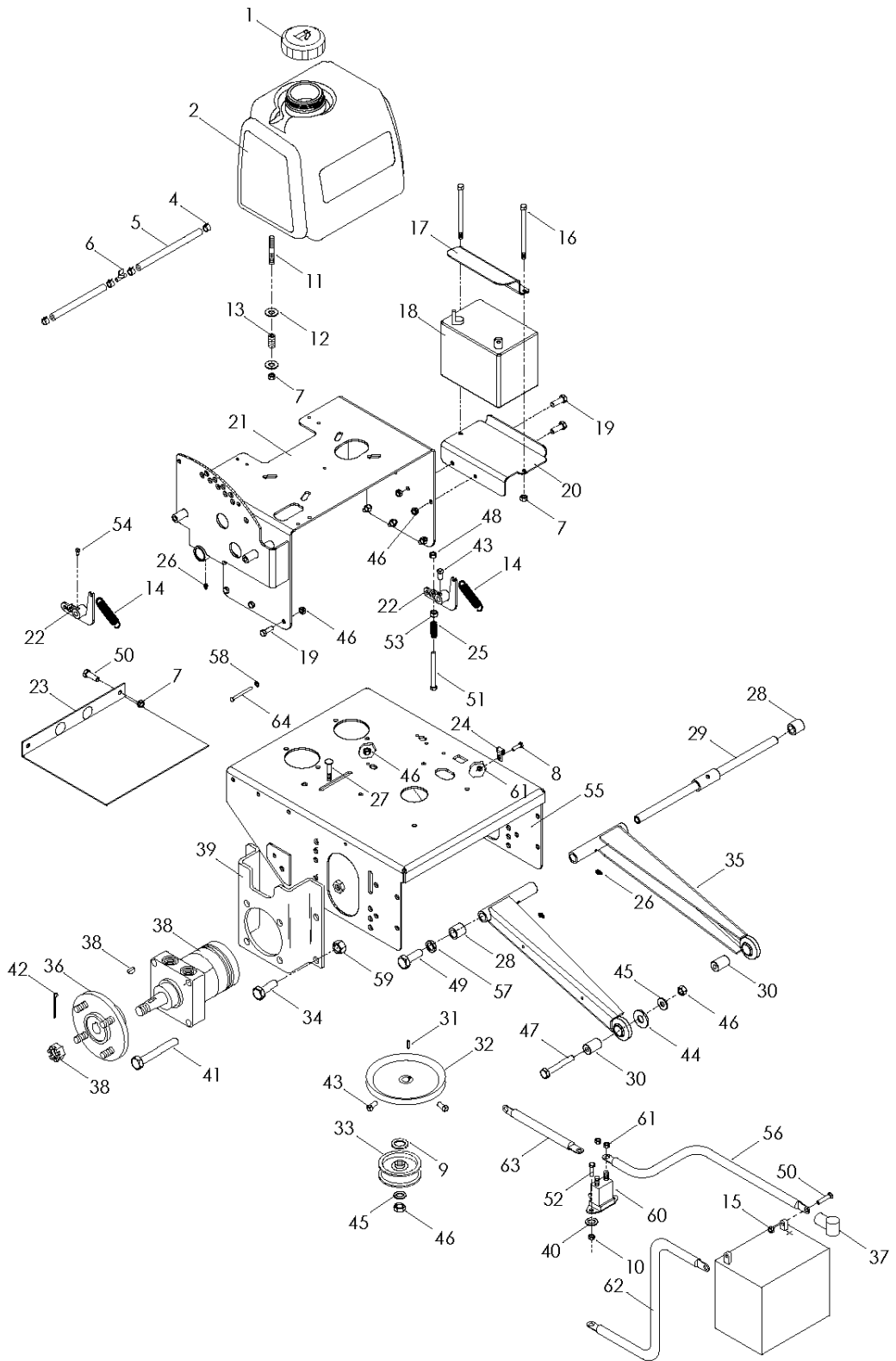


HANDLE & CONTROLS

WH5221EFQ 968999599, 2008-08

Ref	Part No	Description	Remark	QTY KIT
1	539 11 05-80	DECAL		1
2	539 10 98-09	BRACE		2
3	539 11 22-89	DRIVE LEVER LT		1
4	539 11 22-91	DRIVE LEVER RT		1
5	539 10 98-16	TRACKING PLATE		1
6	539 10 98-22	BAIL		1
7	539 10 29-98	WASHER		2
8	539 10 01-47	KNOB		1
9	539 10 98-17	NEUTRAL ARM		1
10	539 10 96-14	FRICTION PLATE		2
11	539 10 96-12	ROLLER		2
12	539 10 17-21	SCREW		1
13	539 10 98-20	GROUND SPEED LEVER		1
14	539 10 98-21	CROSS SHAFT		1
15	539 10 00-32	BUSHING		6
16	539 11 05-52	FLANGE BUSHING		2
17	539 10 98-28	RIGHT OP		1
18	539 10 98-26	LEFT OP		1
19	539 10 48-12	KEY		1
20	539 10 27-33	WIRE		1
21	539 10 27-32	THROTTLE		1
22	539 10 17-68	SWITCH		1
23	539 11 00-74	HOUR METER		1
24	539 10 17-70	IGNITION SWITCH		1
25	539 10 30-03	ADJUSTMENT KNOB		1
26	539 10 12-24	SPRING		1
27	539 97 72-50	SPRING		2
28	539 10 10-80	SWITCH		1
29	539 10 26-78	PLATE		3
30	539 97 69-52	SCREW		6
31	539 10 58-42	GRIP		2
32	539 10 28-27	SPACER		3
33	539 10 96-15	SHORT LINKAGE		2
34	539 10 97-73	LINKAGE, LOWER		2
35	539 10 91-49	CONNECTOR		2
36	539 92 34-08	SWITCH		2
37	539 10 31-78	NUT CAP		1
38	539 11 05-09	SPRING		2
39	539 10 25-90	BALL JOINT		4
40	539 99 05-98	WASHER		2
41	539 99 05-17	WASHER		5
42	539 99 06-92	WASHER		1
43	539 99 01-18	WASHER		1
44	539 99 04-11	SCREW		2
45	539 99 00-72	SCREW		2
46	539 97 69-34	SCREW		10
47	539 10 04-69	TAPBOLT		2
48	539 97 69-35	CAPSCREW		3
49	539 97 69-41	SCREW		1
50	539 97 69-77	NUT		2
51	539 97 69-78	NUT		2
52	539 99 07-17	NUT		14
53	539 99 05-85	NUT		2
54	539 99 02-23	NUT		4
55	539 97 69-79	NUT		2
56	539 99 01-55	NUT		2
57	539 99 05-46	NUT		4
58	539 10 19-49	RETAINER RING		2
59	539 10 90-23	SPACER		1
60	539 10 31-77	NUT		1
61	539 13 21-33	BOOT		4

POWER TRAIN

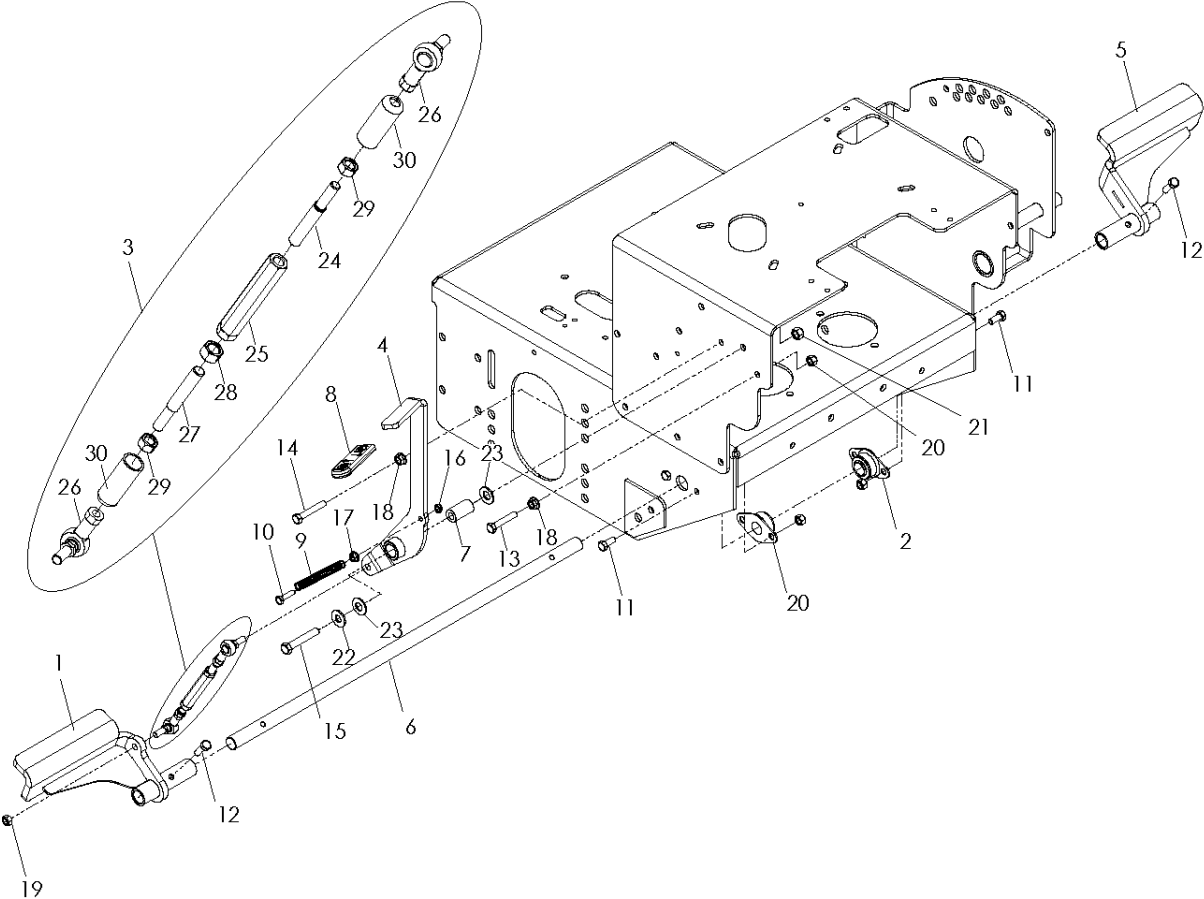


POWER TRAIN

WH5221EFQ 968999599, 2008-08

Ref	Part No	Description	Remark	QTY KIT
1	539 10 61-88	TANK CAP - ANTI		1
2	539 10 56-30	FUEL TANK		1
3	539 10 81-20	NUT		1
4	539 91 22-22	CLAMP		4
5	539 93 29-56	GAS LINE 10"		2
6	539 91 63-25	VALVE		1
7	539 99 07-17	NUT		8
8	539 99 05-80	SCREW		1
9	539 11 18-97	WASHER, 3/8, SPEC		1
10	539 99 07-61	NUT		2
11	539 10 25-02	STUD		4
12	539 99 06-92	WASHER		8
13	539 10 28-45	SPRING		4
14	539 91 61-59	SPRINT		2
15	539 99 01-84	NUT		2
16	539 10 58-26	SCREW		2
17	539 10 59-42	BATTERY STRAP		1
18	539 10 24-36	BATTERY		1
19	539 99 01-34	BOLT		8
20	539 10 59-43	BATTERY TRAY		1
21	539 10 55-90	TANK SUPPORT		1
22	539 10 59-13	PUMP ARM WELDMENT		2
23	539 10 45-47	BRACKET		1
24	539 10 98-67	DOUBLE TUBE CLAMP		1
25	539 10 12-24	SPRING		2
26	539 97 69-98	NIPPLE		3
27	539 10 01-45	RHSNB 3/8C X 2		1
28	539 10 58-06	SPACER		2
29	539 10 64-46	STRUT SHAFT		1
30	539 10 56-41	FRONT SPACER		2
31	539 10 11-77	KEY		2
32	539 10 22-28	PULLEY		2
33	539 91 90-78	PULLEY		1
34	539 99 06-22	SCREW		8
35	539 10 55-77	STRUT WELDMENT		2
36	539 10 11-09	HUB		2
37	539 10 27-59	INSULATOR		4
38	539 10 35-27	WHEEL MOTOR		2
39	539 10 64-91	MOTOR MOUNT		2
40	539 99 00-53	WASHER		2
41	539 10 13-32	SCREW		8
42	539 99 02-97	SPLIT PIN		2
43	539 10 27-17	SCREW		4
44	539 99 05-50	WASHER		4
45	539 99 05-17	WASHER		3
46	539 99 05-46	NUT		14
47	539 99 06-29	SCREW		2
48	539 97 69-79	NUT		2
49	539 99 06-46	HHCS 1/2-13 X 1		2
50	539 97 69-34	SCREW		4
51	539 10 64-92	HEX SCREW 3/8-20 X 2.75		2
52	539 99 00-72	SCREW		2
53	539 92 35-15	SPACER		2
54	539 10 50-79	SCREW		2
55	539 10 65-72	REAR DECK		1
56	539 10 33-06	CABLE		2
57	539 99 02-54	WASHER		2
58	539 10 22-34	NUT		2
59	539 10 13-31	NUT		16
60	539 10 17-14	SOLENOID		1
61	539 97 69-78	NUT		3
62	539 10 27-58	CABLE		1
63	539 10 33-06	CABLE		2
64	539 10 22-33	PIN RETAINING SCREW		2
--	539 10 12-28	BELT	NOT SHOWN	1

BRAKE

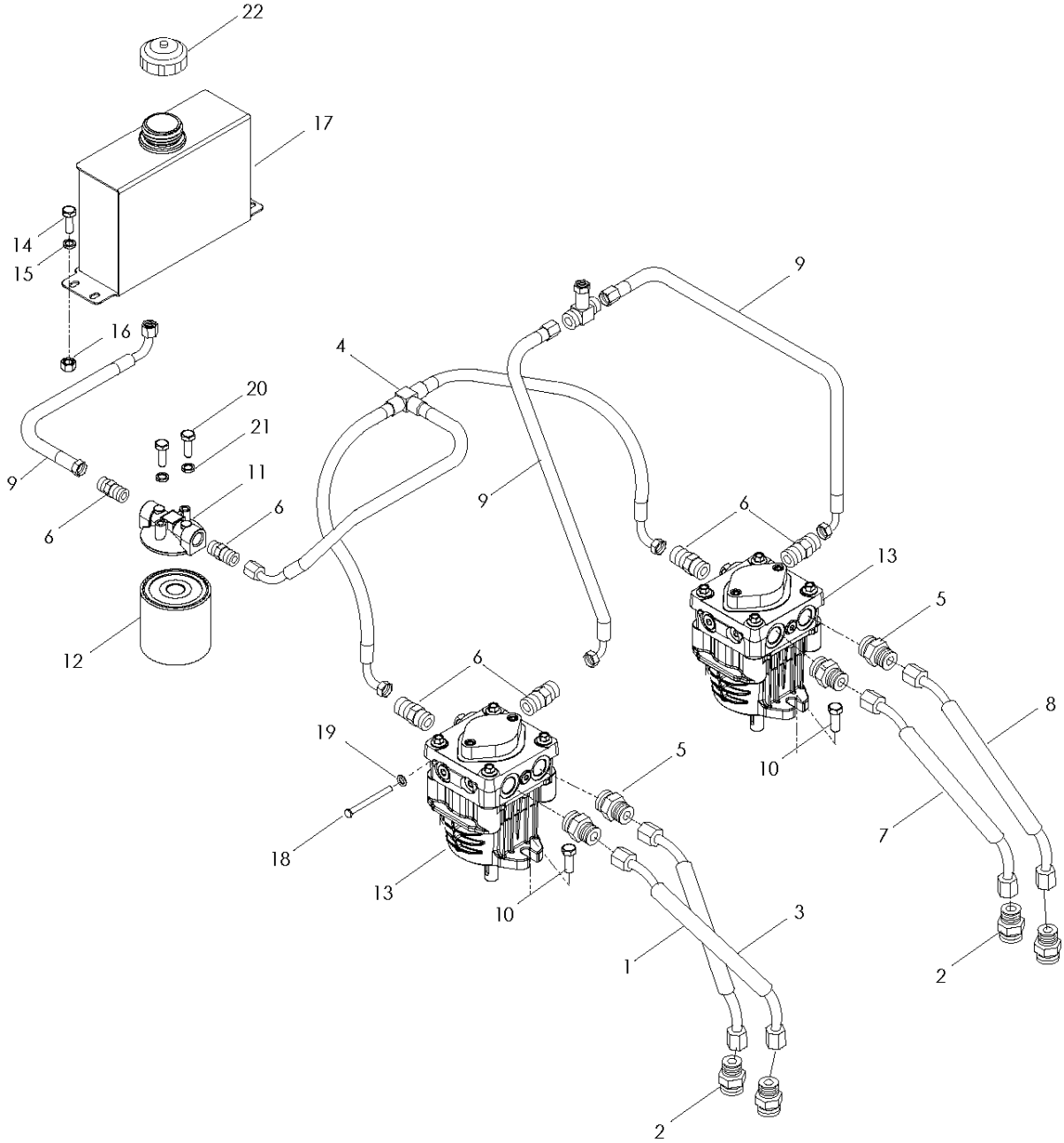


BRAKE

WH5221EFQ 968999599, 2008-08

Ref	Part No	Description	Remark	QTY KIT
1	539 11 03-55	SNUBBER WELDMENT, LT		1
2	539 10 27-97	BEARING		2
3	539 11 03-47	ATTACHMENT KIT		1
4	539 11 03-58	ARM, BRAKE, WELDMENT		1
5	539 11 03-56	SNUBBER WELDMENT, RT		1
6	539 11 03-50	SHAFT, BRAKE		1
7	539 10 18-36	BUSHING, SLEEVE		1
8	539 10 97-98	GRIP		1
9	539 97 72-50	SPRING		1
10	539 99 05-48	SCREW		1
11	539 99 02-06	SCREW		4
12	539 99 02-09	SCREW		2
13	539 99 06-69	SCREW		1
14	539 97 69-37	CAPSCREW		1
15	539 99 05-88	SCREW		1
16	539 10 81-20	NUT		1
17	539 10 87-35	NUT 1/4-20 HEX FLG LK ZD		1
18	539 99 05-85	NUT		2
19	539 99 01-84	NUT		2
20	539 99 07-17	NUT		6
21	539 97 69-79	NUT		1
22	539 99 05-17	WASHER		1
23	539 10 28-43	WASHER		2
24	539 11 03-60	LINKAGE, RH		1
25	539 10 91-49	CONNECTOR		1
26	539 11 06-03	SPHERICAL ROD END, RH		2
27	539 11 03-59	LINKAGE, LH		4
28	539 99 01-55	NUT		1
29	539 99 02-23	NUT		2
30	539 13 21-33	BOOT		2

HYDRAULIC PUMP - MOTOR

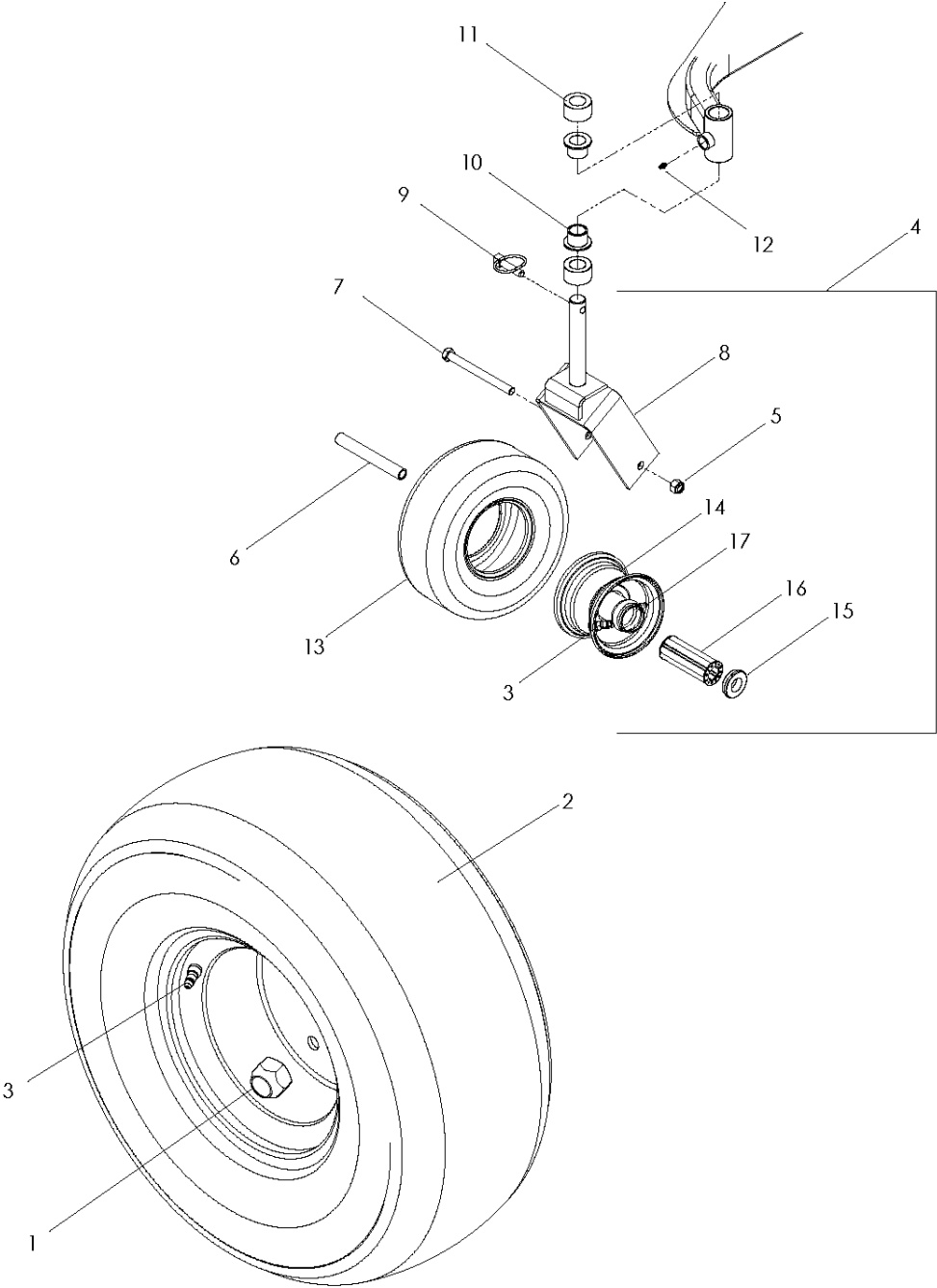


HYDRAULIC PUMP - MOTOR

WH5221EFQ 968999599, 2008-08

Ref	Part No	Description	Remark	QTY KIT
1	539 13 22-91	HOSE. RPB-MA LINE		1
2	539 10 23-96	CONNECTION		4
3	539 13 22-92	HOSE. RPA-MB LINE		1
4	539 13 23-24	HOSE. T-ASM SUPPLY		1
5	539 10 12-37	CONNECTION		4
6	539 12 17-61	FITTING		6
7	539 13 22-99	HOSE. LPB-MB LINE		2
8	539 13 23-18	HOSE. LPA-MA LINE		1
9	539 13 22-93	HOSE. RETURN LINE		3
10	539 99 05-82	SCREW		2
11	539 10 11-65	FILTER COVER		1
12	539 10 26-06	FILTER		1
13	539 13 21-47	PUMP. 10CC W/O FAN OR RTN		2
14	539 99 05-80	SCREW		4
15	539 99 05-98	WASHER		4
16	539 99 07-61	NUT		4
17	539 10 59-85	OIL TANK		1
18	539 10 22-33	PIN RETAINING SCREW		2
19	539 10 22-34	NUT		2
20	539 99 00-72	SCREW		2
21	539 99 00-52	WASHER		2
22	539 10 12-02	COVER		1

WHEELS AND TIRES

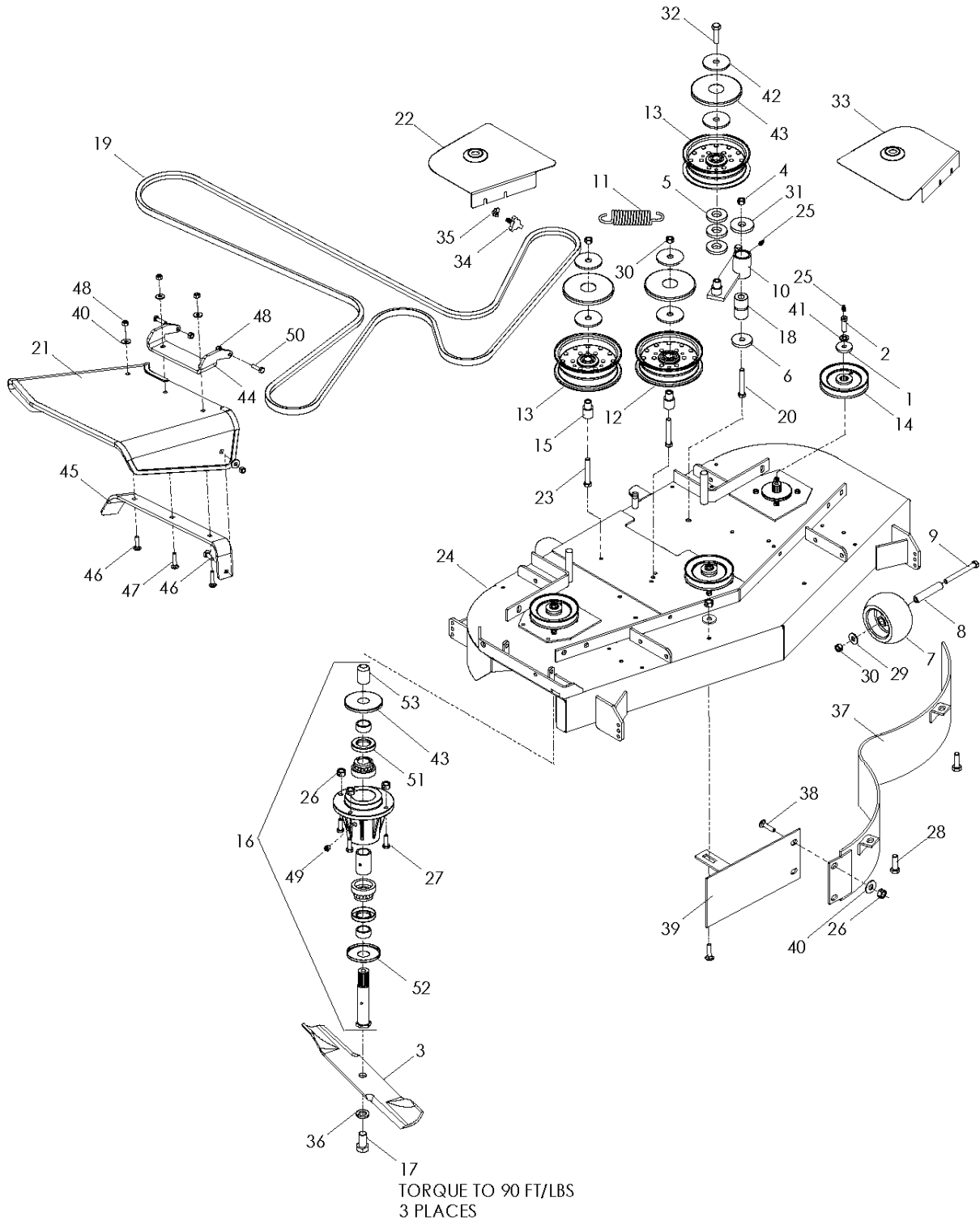


WHEELS & TIRES

WH5221EFQ 968999599, 2008-08

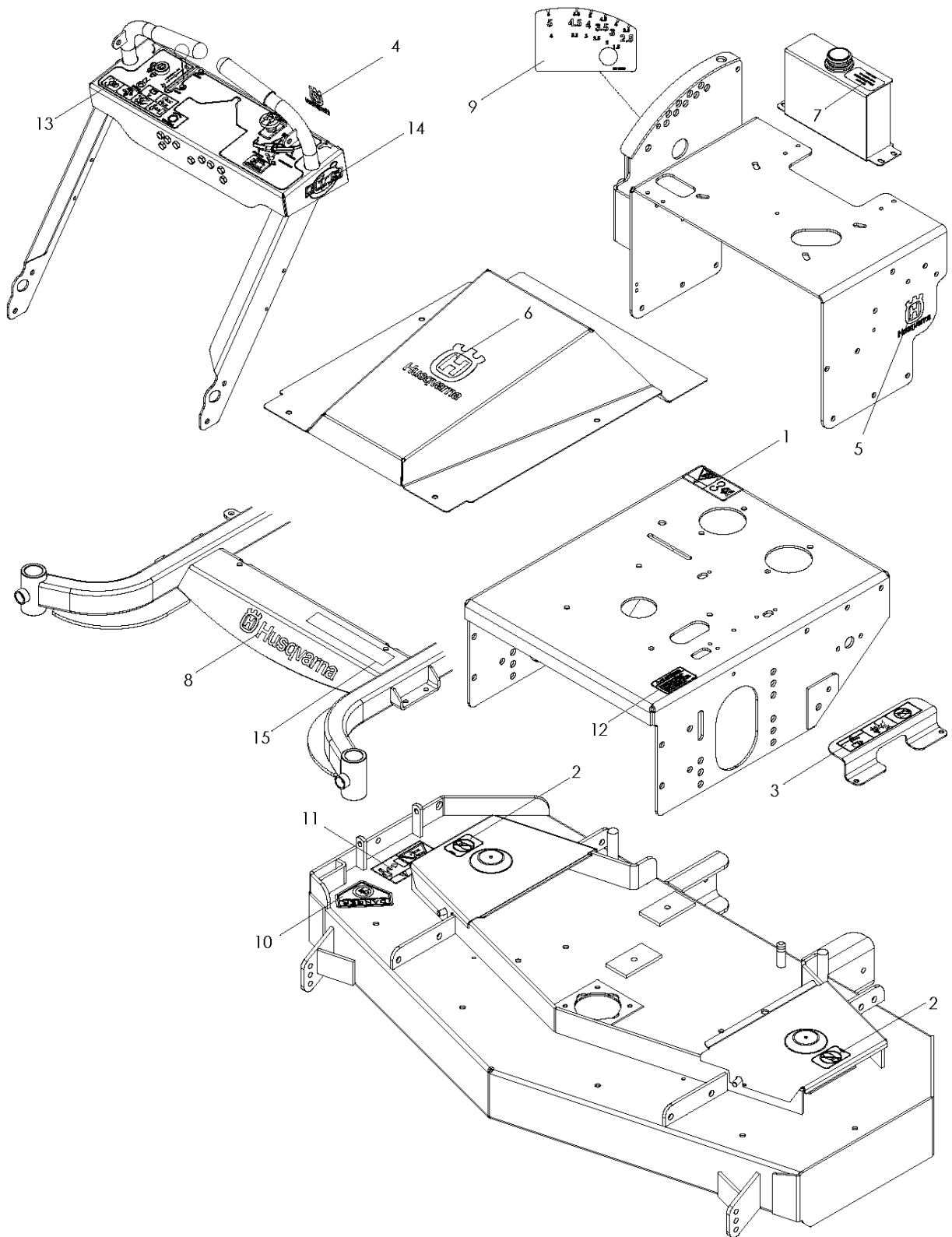
Ref	Part No	Description	Remark	QTY KIT
1	539 10 11-73	NUT		8
2	539 10 58-05	TIRE/WHEEL ASSY		2
3	539 91 22-34	VALVE		4
4	539 10 69-93	TIRE,CPL		2
5	539 10 13-31	NUT		2
6	539 10 55-43	SPACER		2
7	539 10 19-07	SCREW		2
8	539 10 65-88	FORK		2
9	539 10 18-74	LYNCH PIN 7/16		2
10	539 10 66-56	BEARING		4
11	539 10 65-98	CASTER SPACERS - 1"		4
12	539 97 69-98	NIPPLE		2
13	539 10 69-95	TIRE, 410/350-5		2
14	539 10 69-94	RIM SPROCKET		2
15	539 10 24-84	BEARING		4
16	539 10 53-07	ROLLER BEARING		2
17	539 97 69-98	NIPPLE		2

52" CUTTING DECK



Ref	Part No	Description	Remark	QTY KIT
1	539 10 65-04	WASHER		3
2	539 11 21-20	BOLT		3
3	539 10 03-41	BLADE		3
4	539 10 13-31	NUT		1
5	539 99 10-43	BUSHING		3
6	539 10 22-43	WASHER		1
7	539 10 26-43	WHEEL		3
8	539 10 26-98	BUSHING		3
9	539 10 27-54	SCREW		3
10	539 10 32-30	LEVER		1
11	539 10 51-92	SPRING		1
12	539 10 32-57	PULLEY		1
13	539 10 32-58	PULLEY		2
14	539 11 21-24	52 PULLEY		3
15	539 10 32-95	BUSHING		2
16	539 11 29-34	HOUSING ASM, 52/61		3
17	539 10 32-99	SCREW		3
18	539 10 34-27	BUSHING		1
19	539 10 92-42	BELT		1
20	539 10 34-33	SCREW		1
21	539 13 09-01	CHUTE. RUBBER DISCHARGE 52/61"		1
22	539 10 89-08	RT 52 SHIELD, ORANGE		1
23	539 10 13-41	SCREW		2
24	539 10 65-82	DECAL		1
25	539 97 69-98	NIPPLE		4
26	539 99 01-84	NUT		17
27	539 99 02-09	SCREW		12
28	539 97 69-34	SCREW		2
29	539 99 05-17	WASHER		2
30	539 99 05-46	NUT		5
31	539 99 05-50	WASHER		1
32	539 97 69-41	SCREW		1
33	539 10 89-10	LT 52 SHEILD		1
34	539 10 44-11	KNOB		6
35	539 10 47-63	CLIP		6
36	539 99 03-33	WASHER		3
37	539 10 54-57	BAFFLE		1
38	539 99 07-99	BOLT		3
39	539 10 54-53	PLATE		1
40	539 99 06-92	WASHER		9
41	539 99 02-47	WASHER		3
42	539 11 18-97	WASHER, 3/8, SPEC		6
43	539 10 84-50	HUB CAP		3
44	539 13 09-17	PIVOT BRACKET - CHUTE		1
45	539 13 09-20	BRKT. REINF - CHUTE 52/61"		1
46	539 10 04-72	SCREW		2
47	539 10 29-33	RHSNB 5/16-18 X 1-1/2 GR 5 ZD		2
48	539 99 07-17	NUT		6
49	539 97 73-26	FITTING		1
50	539 99 06-27	SCREW		2
51	539 10 87-54	SEALING RING		2
52	539 10 84-49	HUB CAP		1
53	539 10 74-19	VINYL CAP		1

DECALS



DECALS

WH5221EFQ 968999599, 2008-08

Ref	Part No	Description	Remark	QTY KIT
1	539 10 57-44	DECAL		1
2	539 10 57-43	DECAL		2
3	539 10 57-45	DECAL		1
4	539 11 11-15	DECAL		1
5	539 11 10-44	DECAL		1
6	539 11 10-42	DECAL		1
7	539 11 48-32	DECAL		1
8	539 11 10-49	DECAL		1
9	539 10 56-29	DECAL		1
10	539 91 30-10	DECAL		1
11	539 10 57-46	DECAL		1
12	539 10 18-81	DECAL		1
13	539 11 06-66	CONSOLE		1
14	539 10 65-99	DECAL		1
15	539 11 01-62	DECAL		1