

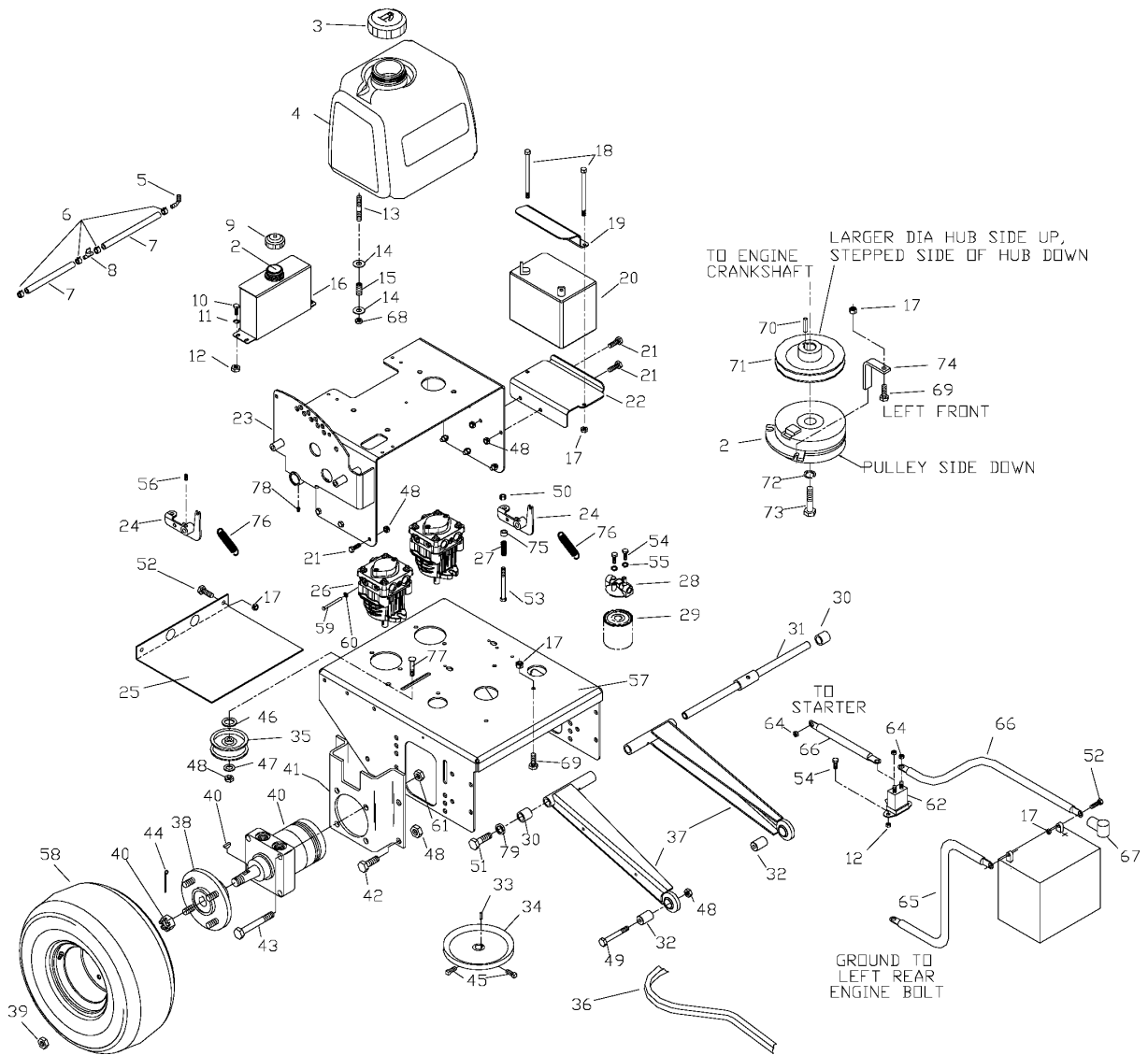


SPARE PARTS LIST

LAWN MOWERS: COMMERCIAL
WALK-BEHINDS

WHF4215ETS, 968999127, 2002-09

Power Unit Assembly



HYDRAULIC FRAME

WHF4215ETS, 968999127, 2002-09

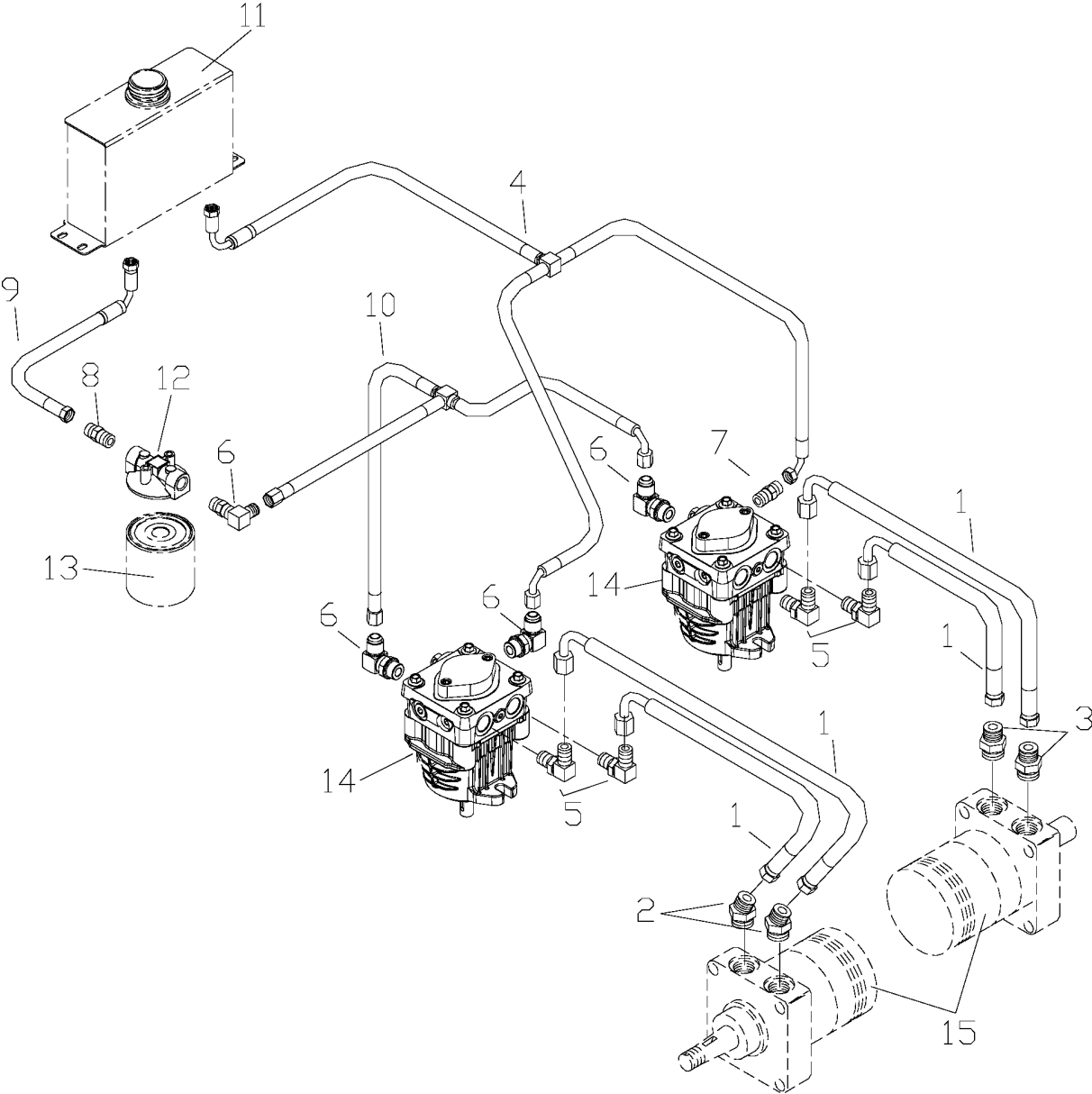
Ref	Part No	Description	Remark	QTY KIT
1	539 10 12-20	CABLE, THROTTLE (17 KAW.)		1
2	539 10 58-04	CLUTCH		1
3	539 10 61-88	TANK CAP - ANTI		1
4	539 10 56-30	FUEL TANK		1
5	539 10 26-50	CONNECTION		1
6	539 91 22-22	CLAMP		4
7	539 93 29-56	GAS LINE 10"		2
8	539 91 63-25	VALVE		1
9	539 10 12-02	COVER		1
10	539 99 05-80	SCREW		5
11	539 99 05-98	WASHER		4
12	539 99 07-61	NUT		6
13	539 10 25-02	STUD		4
14	539 99 06-92	WASHER		8
15	539 10 28-45	SPRING		4
16	539 10 59-85	OIL TANK		1
17	539 99 01-84	NUT		6
18	539 10 58-26	SCREW		2
19	539 10 59-42	BATTERY STRAP		1
20	539 10 24-36	BATTERY		1
21	539 99 01-34	BOLT		8
22	539 10 59-43	BATTERY TRAY		1
23	539 10 55-90	TANK SUPPORT		1
24	539 10 59-13	PUMP ARM WELDMENT		2
25	539 10 45-47	BRACKET		1
26	539 10 45-29	PUMP		2
27	539 10 12-24	SPRING		2
28	539 10 11-65	FILTER COVER		1
29	539 10 26-06	FILTER		1
30	539 10 58-06	SPACER		2
31	539 10 64-46	STRUT SHAFT		1
32	539 10 56-41	FRONT SPACER		2
33	539 10 11-77	KEY		2
34	539 10 22-28	PULLEY		2
35	539 91 90-78	PULLEY		1
36	539 10 12-28	BELT		1
37	539 10 55-77	STRUT WELDMENT		2
38	539 10 11-09	HUB		2
39	539 10 11-73	NUT		8
40	539 10 35-27	WHEEL MOTOR		2
539103664	539 10 36-64	SEAL KIT - GEN I		1
41	539 10 64-91	MOTOR MOUNT		2
42	539 99 06-22	SCREW		8
43	539 10 13-32	SCREW		8
44	539 99 02-97	SPLIT PIN		2
45	539 10 27-17	SCREW		4
46	539 99 05-50	WASHER		2
47	539 99 05-17	WASHER		1
48	539 99 05-46	NUT		14
49	539 99 06-29	SCREW		2
50	539 97 69-79	NUT		2
51	539 99 06-46	HHCS 1/2-13 X 1		2
52	539 97 69-34	SCREW		4
53	539 10 64-92	HEX SCREW 3/8-20 X 2.75		2
54	539 99 00-72	SCREW		4
55	539 99 00-52	WASHER		2
56	539 10 50-79	SCREW		2
57	539 10 65-72	REAR DECK		1
58	539 10 58-05	TIRE/WHEEL ASSY		2
539105535	539 10 55-35	TIRE/WHEEL ASSY		1
539912234	539 91 22-34	VALVE		1
539104628	539 10 46-28	WHEEL		1
59	539 10 22-23	CLEVIS PIN		2
60	539 10 22-34	NUT		2

HYDRAULIC FRAME

WHF4215ETS, 968999127, 2002-09

Ref	Part No	Description	Remark	QTY KIT
61	539 10 13-31	NUT		8
62	539 10 17-14	SOLENOID		1
64	539 97 69-78	NUT		3
65	539 10 27-58	CABLE		1
66	539 10 33-06	CABLE		2
67	539 10 27-59	INSULATOR		4
68	539 99 07-17	NUT		8
69	539 99 06-69	SCREW		4
70	539 10 19-95	KEY		1
71	539 10 56-10	PULLEY		1
72	539 99 02-47	WASHER		1
73	539 99 11-20	SCREW		1
74	539 10 32-51	BRACKET		1
75	539 92 35-15	SPACER		2
76	539 91 61-59	SPRINT		2
77	539 10 01-45	RHSNB 3/8C X 2		1
78	539 97 69-98	NIPPLE		1
79	539 99 02-54	WASHER		2

Hydraulic Assembly

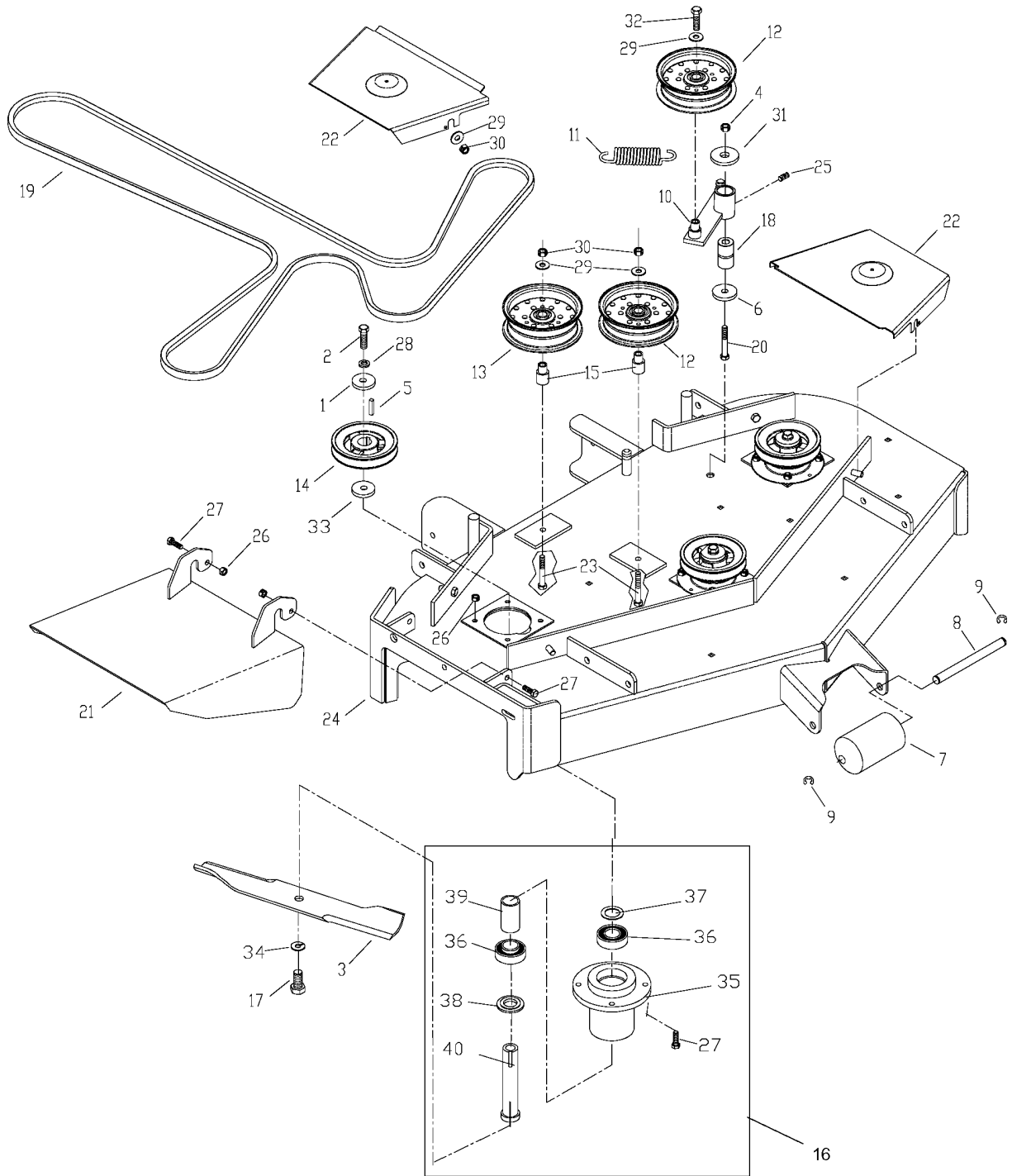


HYDRAULIC PUMP - MOTOR

WHF4215ETS, 968999127, 2002-09

Ref	Part No	Description	Remark	QTY KIT
1	539 10 12-45	HOSE, 1/2" HYDRAULIC		4
2	539 10 12-43	ELBOW		2
3	539 10 12-39	CONNECTOR		2
4	539 10 22-29	INLET		1
5	539 10 12-42	ELBOW		4
6	539 10 12-38	CONNECTION		4
8	539 10 33-16	CONNECTION		2
9	539 10 12-48	HOSE		1
10	539 10 22-30	FITTING		1
11	539 10 59-85	OIL TANK		1
12	539 10 11-65	FILTER COVER		1
13	539 10 26-06	FILTER		1
14	539 10 82-46	PUMP		2
15	539 10 35-27	WHEEL MOTOR		2
539103664	539 10 36-64	SEAL KIT - GEN I		1

42" Front Deck Assembly

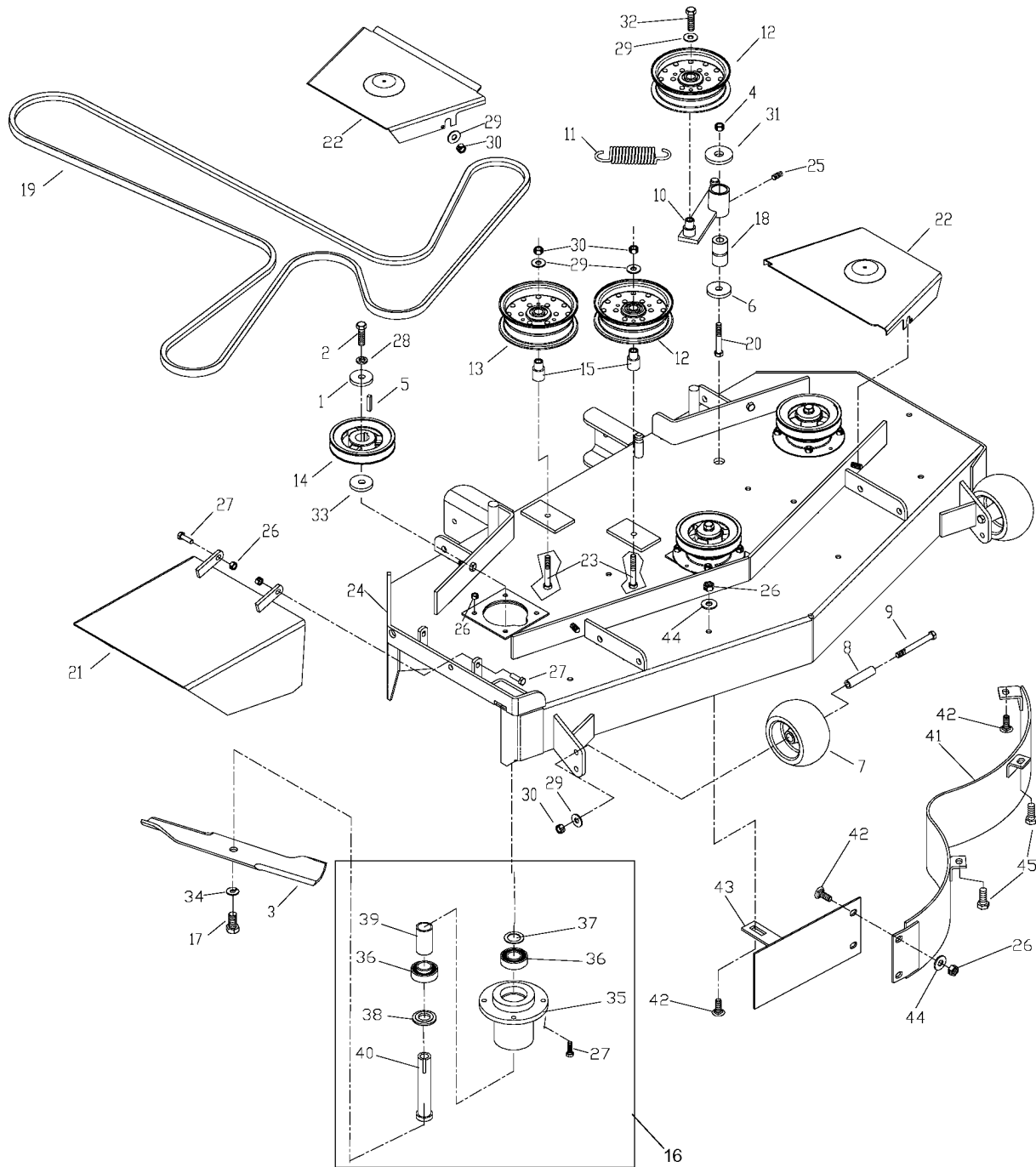


42INCH CUTTING DECK

WHF4215ETS, 968999127, 2002-09

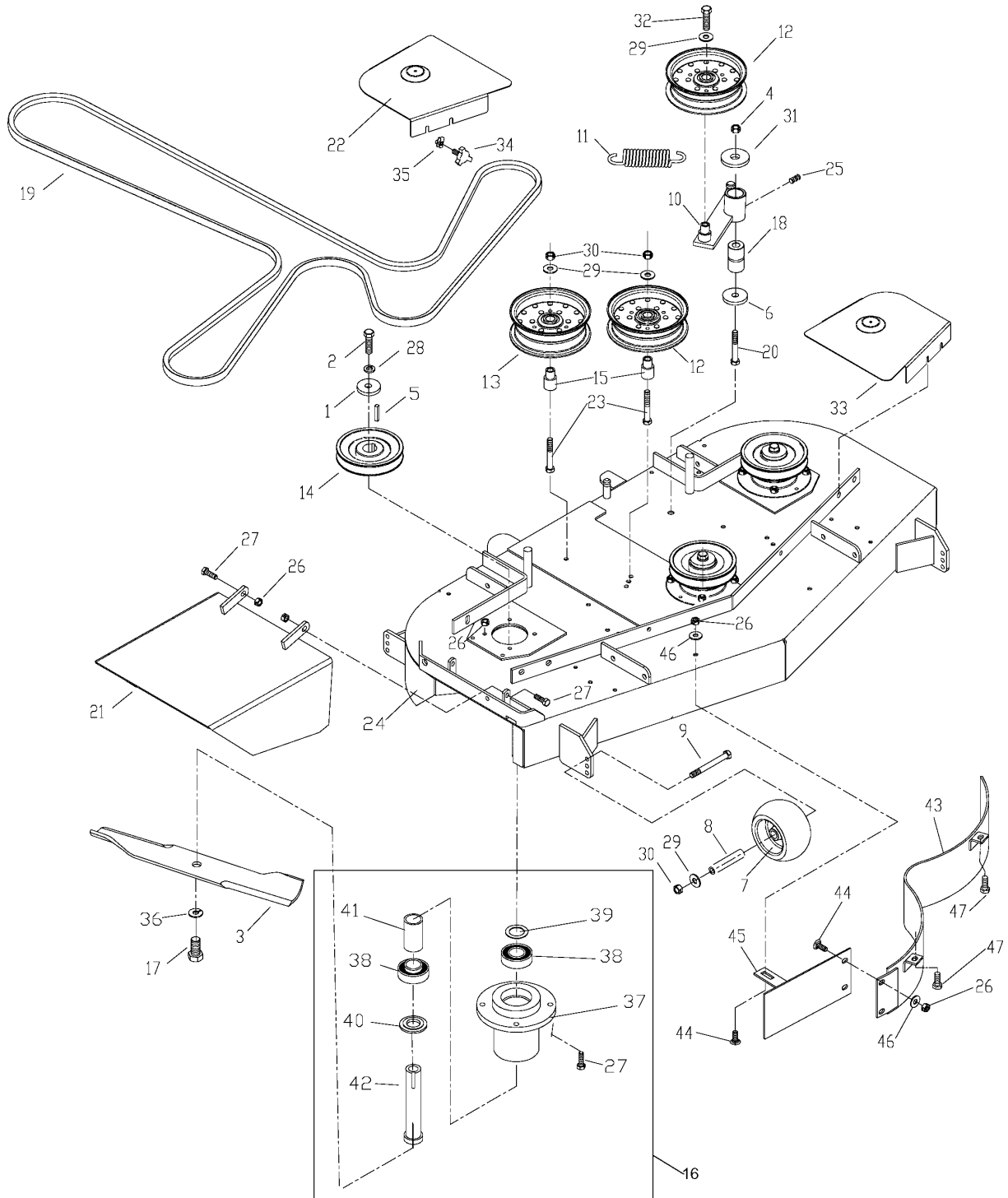
Ref	Part No	Description	Remark	QTY KIT
1	539 10 65-04	WASHER		3
2	539 10 01-41	SCREW		3
3	539 10 32-74	BLADE		3
4	539 10 13-31	NUT		1
5	539 10 19-95	KEY		3
6	539 10 22-43	WASHER		1
7	539 97 68-28	ROLLER		1
8	539 10 34-37	SHAFT		1
9	539 10 19-49	RETAINER RING		2
10	539 10 32-30	LEVER		1
11	539 10 32-56	SPRING		1
12	539 10 32-57	PULLEY		2
13	539 10 32-58	PULLEY		1
14	539 10 32-83	PULLEY		3
15	539 10 32-95	BUSHING		2
16	539 10 44-03	ADAPTER		3
17	539 10 32-99	SCREW		3
18	539 10 34-27	BUSHING		1
19	539 10 56-42	BELT		1
20	539 10 34-33	SCREW		1
21	539 10 53-61	DISHARGE CHUTE		1
22	539 10 53-63	BELT SHIELD		2
23	539 99 06-37	SCREW		2
24	539 10 65-75	DECAL		1
25	539 97 69-98	NIPPLE		1
26	539 99 01-84	NUT		20
27	539 99 02-09	SCREW		14
28	539 99 02-47	WASHER		3
29	539 99 05-17	WASHER		7
30	539 99 05-46	NUT		6
31	539 99 05-50	WASHER		1
32	539 99 05-82	SCREW		1
33	539 10 26-75	BUSHING		3
34	539 99 03-33	WASHER		3
35	539 10 48-52	BEARING HOUSING		3
36	539 10 26-77	BEARING		6
37	539 10 22-44	BUSHING		1
38	539 10 72-72	SPACER		3
39	539 10 26-76	SPACER		3
40	539 10 44-02	SPINDLE		3
41	539 10 54-39	MAIN BAFFLE		1
42	539 99 07-99	BOLT		4
43	539 10 54-35	CENTER BAFFLE		1
44	539 99 06-92	WASHER		6
45	539 97 69-34	SCREW		2

48" Front Deck Assembly



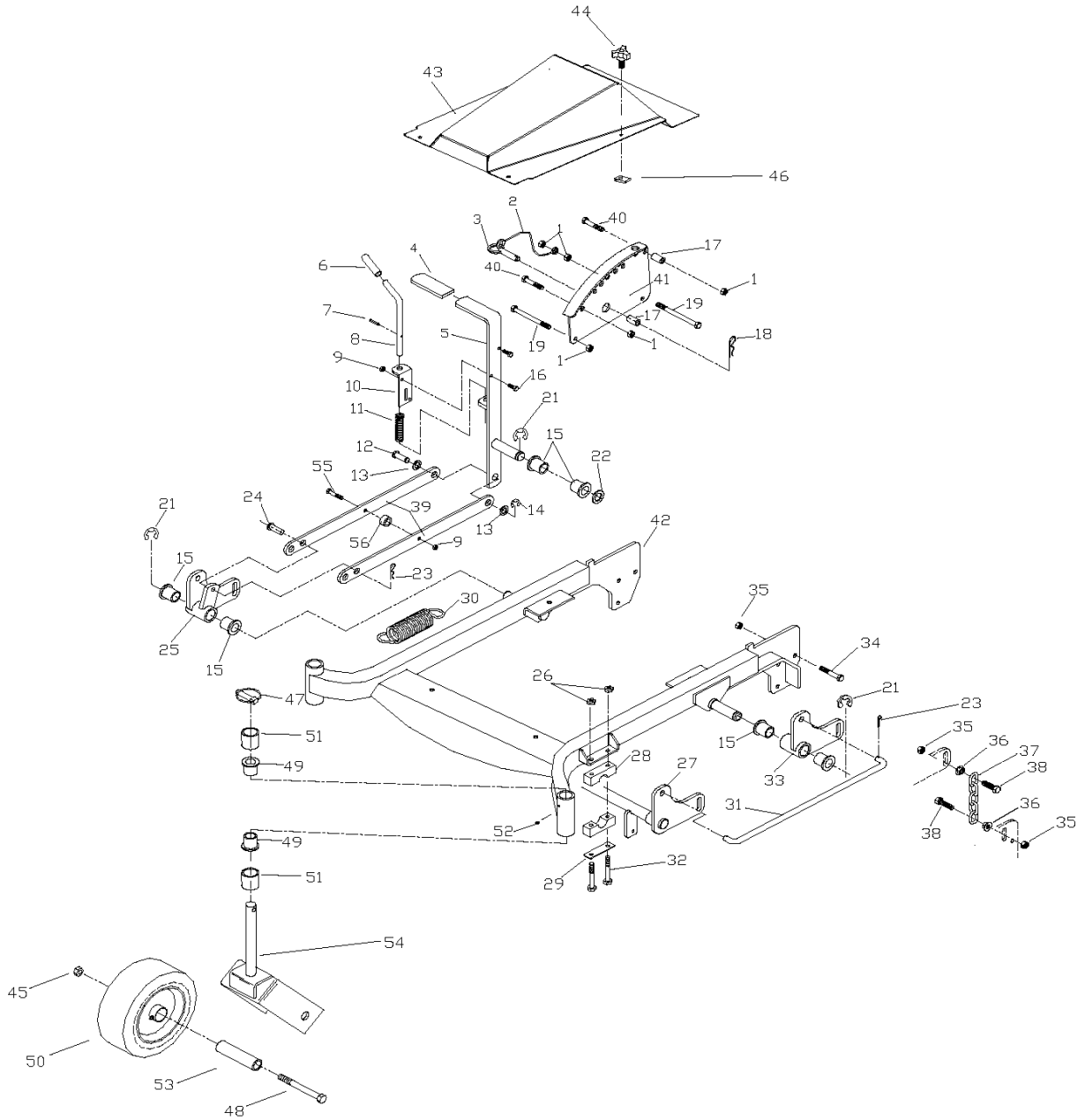
Ref	Part No	Description	Remark	QTY KIT
1	539 10 65-04	WASHER		3
2	539 10 01-41	SCREW		3
3	539 10 03-40	BLADE		3
4	539 10 13-31	NUT		1
5	539 10 19-95	KEY		3
6	539 10 22-43	WASHER		1
7	539 10 26-43	WHEEL		2
8	539 10 26-98	BUSHING		2
9	539 10 27-54	SCREW		2
10	539 10 32-30	LEVER		1
11	539 10 32-56	SPRING		1
12	539 10 32-57	PULLEY		2
13	539 10 32-58	PULLEY		1
14	539 10 32-83	PULLEY		3
15	539 10 32-95	BUSHING		2
16	539 10 44-03	ADAPTER		3
17	539 10 32-99	SCREW		3
18	539 10 34-27	BUSHING		1
19	539 10 56-44	BELT		1
20	539 10 34-33	SCREW		1
21	539 10 45-46	DEFLECTOR CHUTE		1
22	539 10 46-05	BELTSIELD		2
23	539 99 06-37	SCREW		2
24	539 10 65-76	DECAL		1
25	539 97 69-98	NIPPLE		1
26	539 99 01-84	NUT		20
27	539 99 02-09	SCREW		14
28	539 99 02-47	WASHER		3
29	539 99 05-17	WASHER		7
30	539 99 05-46	NUT		6
31	539 99 05-50	WASHER		1
32	539 99 05-82	SCREW		1
33	539 10 26-75	BUSHING		3
34	539 99 03-33	WASHER		3
35	539 10 48-52	BEARING HOUSING		3
36	539 10 26-77	BEARING		6
37	539 10 22-44	BUSHING		1
38	539 10 72-72	SPACER		3
39	539 10 26-76	SPACER		3
40	539 10 44-02	SPINDLE		3
41	539 10 54-48	GUARD		1
42	539 99 07-99	BOLT		4
43	539 10 54-44	DISC		1
44	539 99 06-92	WASHER		6
45	539 97 69-34	SCREW		2

52" Front Deck Assembly



Ref	Part No	Description	Remark	QTY KIT
1	539 10 65-04	WASHER		3
2	539 10 01-41	SCREW		3
3	539 10 03-41	BLADE		3
4	539 10 13-31	NUT		1
5	539 10 19-95	KEY		3
6	539 10 22-43	WASHER		1
7	539 10 26-43	WHEEL		2
8	539 10 26-98	BUSHING		2
9	539 10 27-54	SCREW		2
10	539 10 32-30	LEVER		1
11	539 10 51-92	SPRING		1
12	539 10 32-57	PULLEY		2
13	539 10 32-58	PULLEY		1
14	539 10 44-21	PULLEY		3
15	539 10 32-95	BUSHING		2
16	539 10 44-03	ADAPTER		3
17	539 10 32-99	SCREW		3
18	539 10 34-27	BUSHING		1
19	539 10 56-43	BELT		1
20	539 10 34-33	SCREW		1
21	539 10 73-12	GUARD		1
22	539 10 64-48	SHIELD		2
23	539 99 06-37	SCREW		2
24	539 10 65-82	DECAL		1
25	539 97 69-98	NIPPLE		1
26	539 99 01-84	NUT		19
27	539 99 02-09	SCREW		14
28	539 99 02-47	WASHER		3
29	539 99 05-17	WASHER		5
30	539 99 05-46	NUT		5
31	539 99 05-50	WASHER		1
32	539 99 05-82	SCREW		1
33	539 10 64-49	BELT SHIELD		1
34	539 10 44-11	KNOB		6
35	539 10 47-63	CLIP		6
36	539 99 03-33	WASHER		3
37	539 10 48-52	BEARING HOUSING		3
38	539 10 26-77	BEARING		6
39	539 10 22-44	BUSHING		1
40	539 10 72-72	SPACER		3
41	539 10 26-76	SPACER		3
42	539 10 44-02	SPINDLE		3
43	539 10 54-57	BAFFLE		1
44	539 99 07-99	BOLT		3
45	539 10 54-53	PLATE		1
46	539 99 06-92	WASHER		5
47	539 97 69-34	SCREW		2

Frame Assembly

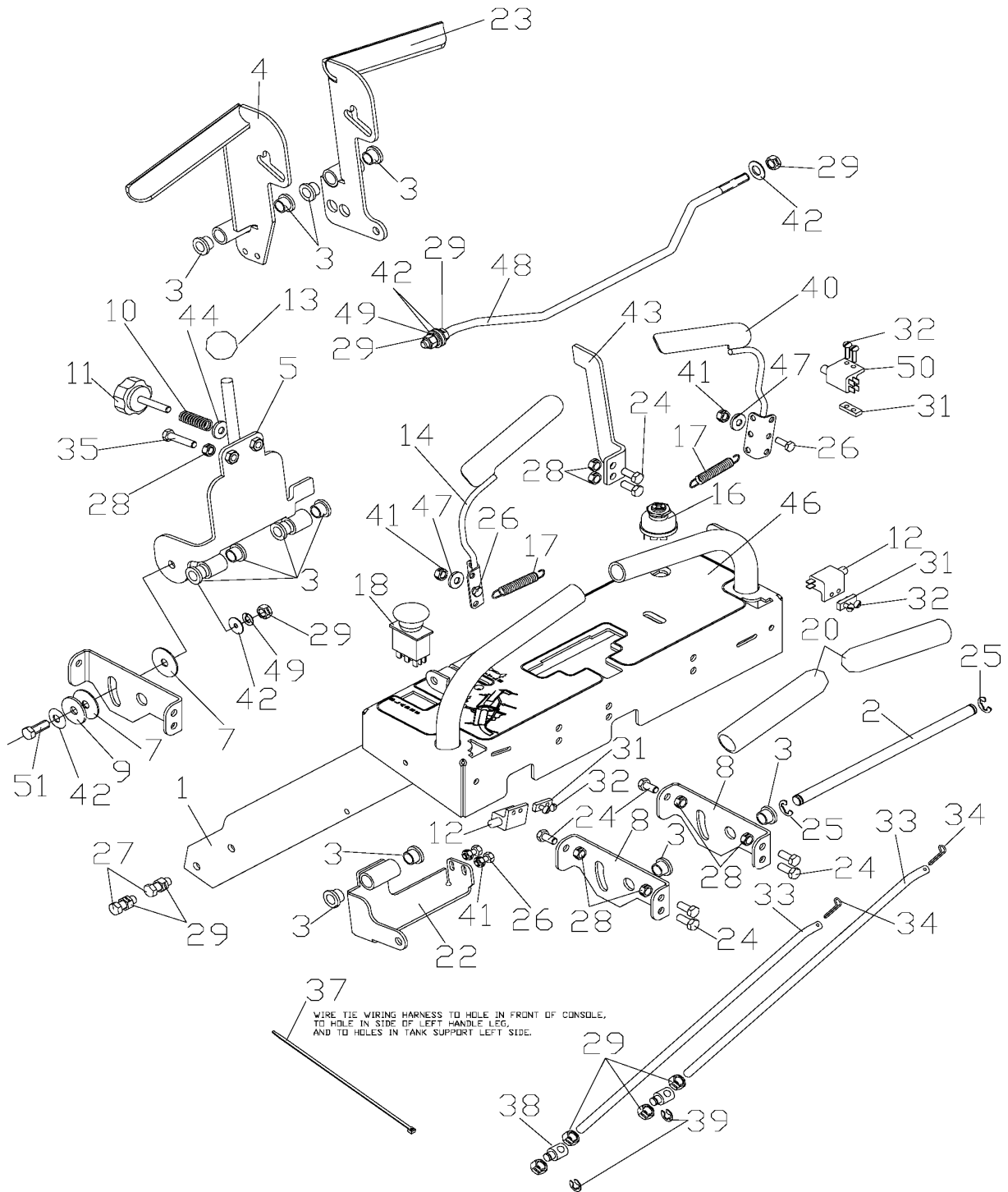


FRAME

WHF4215ETS, 968999127, 2002-09

Ref	Part No	Description	Remark	QTY KIT
1	539 99 05-46	NUT		5
2	539 10 25-63	RETAINER		1
3	539 10 25-26	PIN RETAINING SCREW		1
4	539 10 25-15	GRIP		1
5	539 10 56-04	LIFT LEVER		1
6	539 10 10-50	GRIP		1
7	539 10 65-32	PIN RETAINING SCREW		1
8	539 10 45-23	LEVER		1
9	539 99 07-61	NUT		3
10	539 10 35-34	BRACKET		1
11	539 10 10-58	SPRING		1
12	539 10 50-60	PIN RETAINING SCREW		1
13	539 99 10-43	BUSHING		6
14	539 10 50-69	RETAINER RING		1
15	539 10 12-32	BUSHING		6
16	539 99 05-80	SCREW		2
17	539 10 45-30	SPACER		2
18	539 97 69-89	SPLIT PIN		1
19	539 99 05-91	HCS 3/8C X 4 1/2		2
20	539 10 47-61	NIPPLE		2
21	539 10 18-02	RETAINER RING		3
22	539 92 37-87	BUSHING		1
23	539 99 06-54	SPLIT PIN		1
24	539 97 77-03	PIN RETAINING SCREW		1
25	539 10 70-32	LEVER,RIGHT		1
26	539 99 01-84	NUT		4
27	539 10 70-30	FRONT LIFT ARM		1
28	539 10 48-08	SUPPORT		4
29	539 10 48-07	PLATE		2
30	539 10 26-42	SPRING		1
31	539 10 83-58	DECK ROD		2
32	539 99 10-46	SCREW		4
33	539 10 70-31	LEVER,LEFT		1
34	539 10 01-43	SCREW		8
35	539 99 08-39	NUT		16
36	539 10 25-82	NUT		8
37	539 10 26-41	CHAIN		4
38	539 10 11-75	SCREW		8
39	539 10 66-22	FLAT LINKAGE		2
40	539 99 05-88	SCREW		3
41	539 10 55-82	HEIGHT ADJ PLATE		1
42	539 10 65-95	FT FRAME		1
43	539 10 60-64	HOOD		1
44	539 10 44-11	KNOB		4
45	539 10 13-31	NUT		2
46	539 10 47-63	CLIP		4
47	539 10 18-74	LYNCH PIN 7/16		2
48	539 10 19-07	SCREW		2
49	539 10 66-56	BEARING		4
50	539 10 45-94	TIRE, CASTER (COMPLETE)		2
539106993	539 10 69-93	TIRE,CPL		2
539103495	539 10 34-95	TIRE		1
539106995	539 10 69-95	TIRE, 410/350-5		1
539104600	539 10 46-00	RIM		1
539106994	539 10 69-94	RIM SPROCKET		1
539912234	539 91 22-34	VALVE		1
539103300	539 10 33-00	NIPPLE		1
539102484	539 10 24-84	BEARING		1
539977356	539 97 73-56	ENDCAP, NOTCHED		1
539105307	539 10 53-07	ROLLER BEARING		1
51	539 10 65-98	CASTER SPACERS - 1"		4
52	539 97 69-98	NIPPLE		2
53	539 10 55-43	SPACER		2
54	539 10 65-88	FORK		2
55	539 10 02-66	BOLT		1
56	539 92 35-15	SPACER		1
57	539 10 48-64	WASHER 7/16 FLAT ZD		8

Handle Assembly

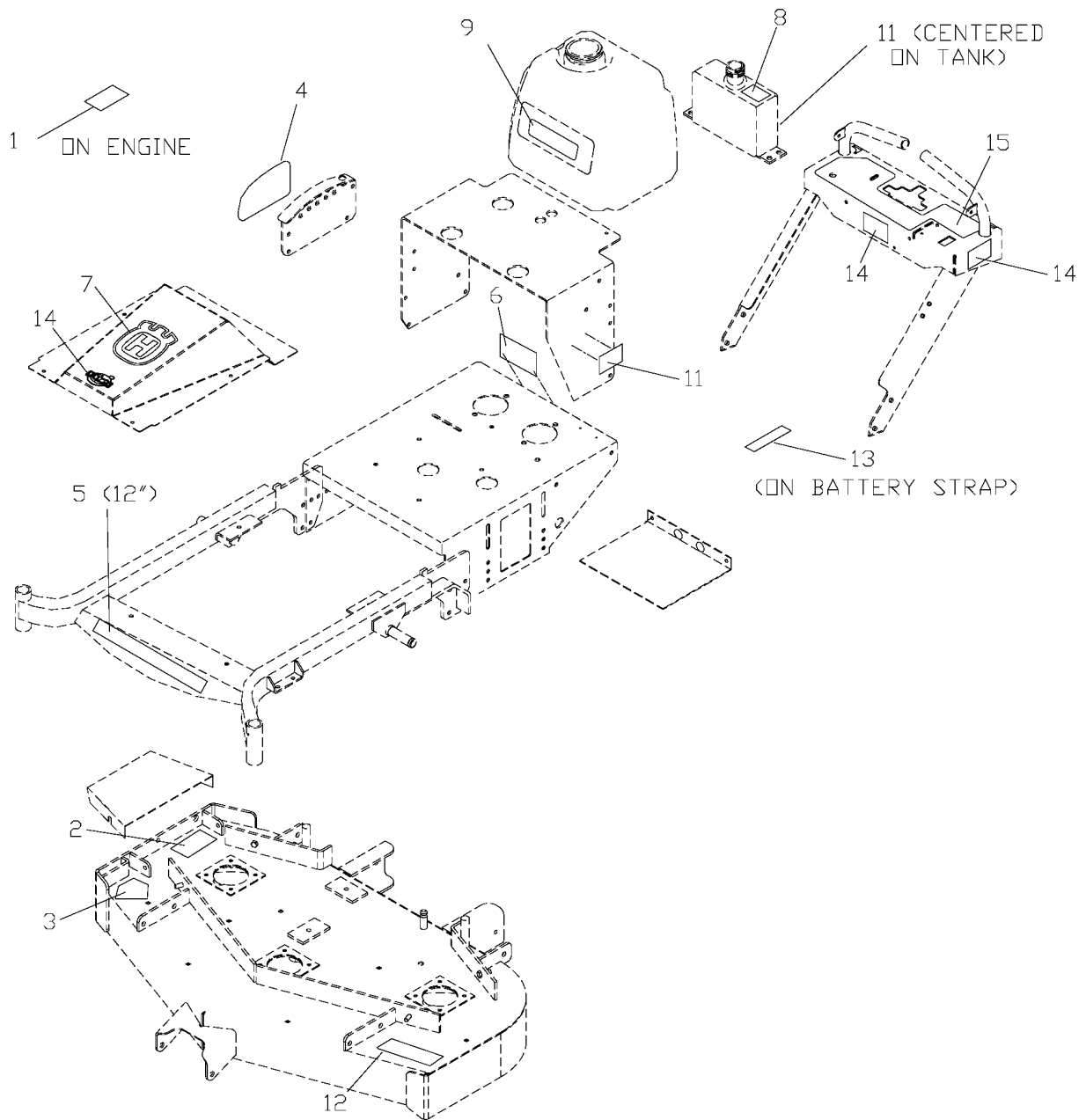


HANDLE & CONTROLS

WHF4215ETS, 968999127, 2002-09

Ref	Part No	Description	Remark	QTY KIT
1	539 10 65-74			1
2	539 10 58-77	SHAFT		1
3	539 10 00-32	BUSHING		12
4	539 10 58-18	PADDLE - LH		1
5	539 10 58-20	NEUTRAL BAR		1
7	539 10 29-98	WASHER		2
8	539 10 58-30	CROSS BRACE		2
9	539 99 05-50	WASHER		1
10	539 10 12-24	SPRING		1
11	539 10 30-03	ADJUSTMENT KNOB		1
12	539 92 34-08	SWITCH		2
13	539 10 01-47	KNOB		1
14	539 10 58-34	OPER LEVER-LH		1
16	539 10 17-70	IGNITION SWITCH		1
539104812	539 10 48-12	KEY		1
539103177	539 10 31-77	NUT		1
539103178	539 10 31-78	NUT CAP		1
17	539 97 72-50	SPRING		2
18	539 10 17-68	SWITCH		1
20	539 10 58-42	GRIP		2
22	539 10 58-80	TAB - LH		1
23	539 10 58-24	PADDLE - RH		1
24	539 97 69-34	SCREW		8
25	539 10 19-49	RETAINER RING		2
26	539 99 00-72	SCREW		4
27	539 99 05-63	SCREW		4
28	539 99 01-84	NUT		9
29	539 99 05-46	NUT		12
31	539 10 26-78	PLATE		3
32	539 97 69-52	SCREW		6
33	539 10 58-40	LINKAGE		2
34	539 99 03-65	PIN RETAINING SCREW		2
35	539 99 06-27	SCREW		1
37	539 97 68-56	TIE WRAP		3
38	539 10 64-80	SWIVEL		2
39	539 99 08-70	RING		2
40	539 10 59-52	OPER LEVER - RH		1
41	539 99 07-61	NUT		4
42	539 99 05-17	WASHER		5
43	539 10 59-63	STOP PLATE		1
44	539 99 06-92	WASHER		1
46	539 10 59-96	CONSOLE		1
47	539 99 05-98	WASHER		2
48	539 10 58-21	NEUTRAL BAIL		1
49	539 99 01-18	WASHER		2
50	539 10 10-80	SWITCH		1
51	539 99 01-43	HEX SCREW 3/8 X 1.25		1

Decal Assembly

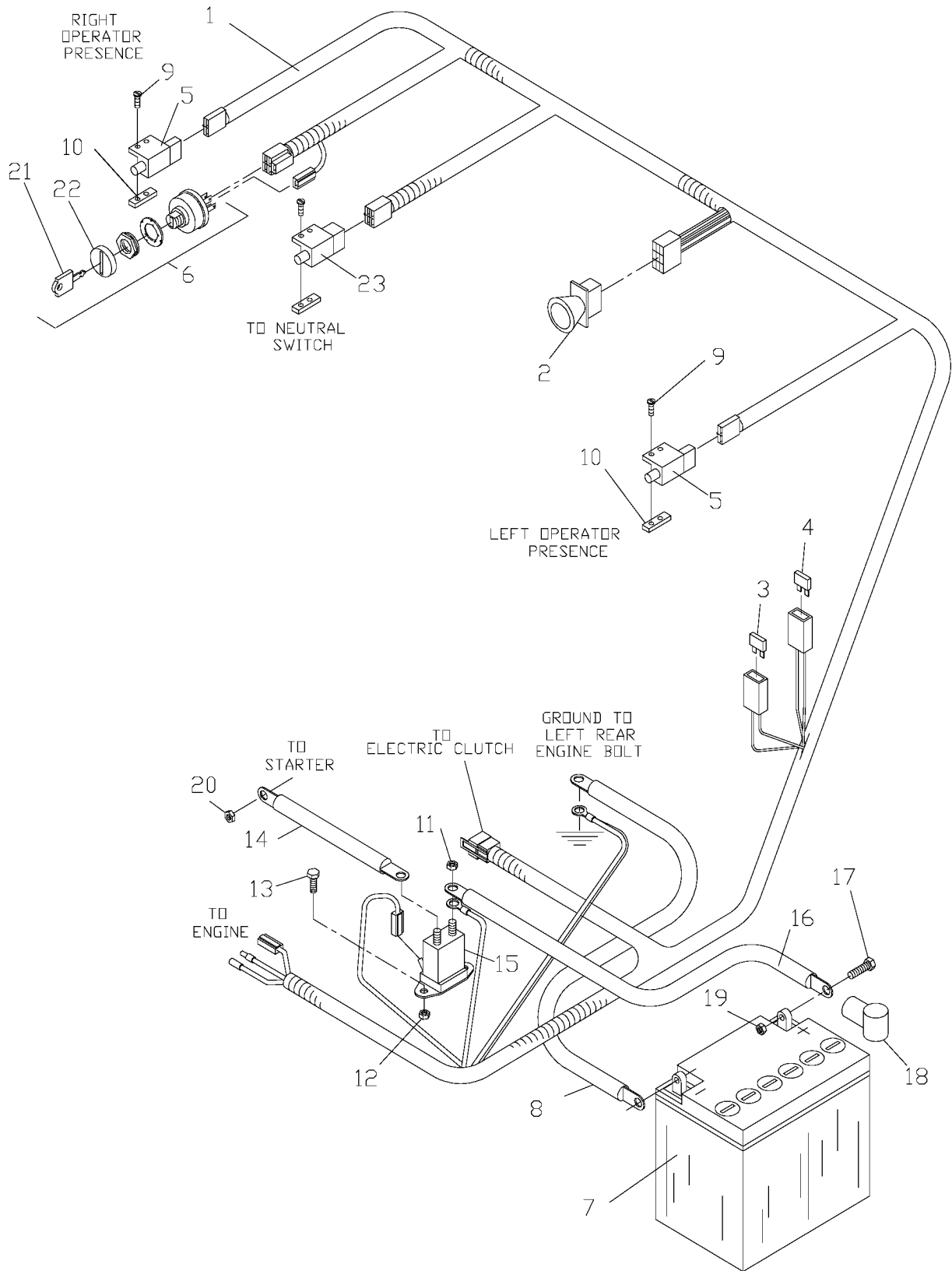


DECALS

WHF4215ETS, 968999127, 2002-09

Ref	Part No	Description	Remark	QTY KIT
1	539 10 18-81	DECAL		1
2	539 10 57-46	DECAL		1
3	539 91 30-10	DECAL		1
4	539 10 56-29	DECAL		1
5	539 20 07-32	DECAL		1
6	539 10 57-44	DECAL		1
7	539 10 58-03	DECAL		1
8	539 10 53-01	DECAL		1
9	539 10 59-93	DECAL		1
539105991	539 10 59-91	DECAL		1
539105994	539 10 59-94	DECAL		1
11	539 10 47-89	DECAL		2
12	539 10 50-71	DECAL		1
13	539 10 57-45	DECAL		1
14	539 10 65-99	DECAL		4
15	539 10 59-96	CONSOLE		1

Wiring Assembly



ELECTRICAL

WHF4215ETS, 968999127, 2002-09

Ref	Part No	Description	Remark	QTY KIT
1	539 10 56-27	HARNES		1
2	539 10 17-68	SWITCH		1
3	539 10 20-86	FUSE		1
4	539 10 17-71	FUSE		1
5	539 92 34-08	SWITCH		2
6	539 10 17-70	IGNITION SWITCH		1
539103177	539 10 31-77	NUT		1
7	539 10 24-36	BATTERY		1
8	539 10 27-58	CABLE		1
9	539 97 69-52	SCREW		6
10	539 10 26-78	PLATE		3
11	539 97 69-78	NUT		2
12	539 99 03-72	NUT		2
13	539 99 00-72	SCREW		2
14	539 10 27-57	CABLE		1
15	539 10 17-14	SOLENOID		1
16	539 10 33-06	CABLE		1
17	539 97 69-34	SCREW		2
18	539 10 27-59	INSULATOR		1
19	539 99 01-84	NUT		2
20	539 97 69-78	NUT		1
21	539 10 48-12	KEY		1
22	539 10 31-78	NUT CAP		1
23	539 10 10-80	SWITCH		1